



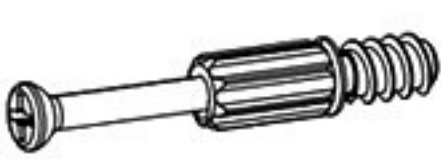




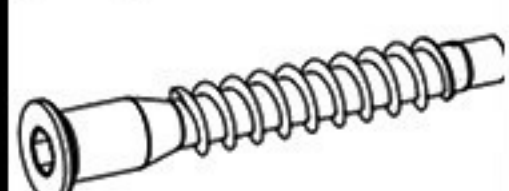
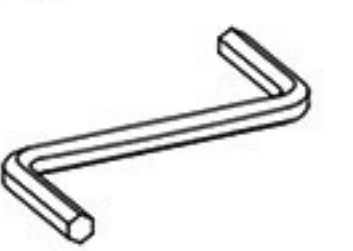



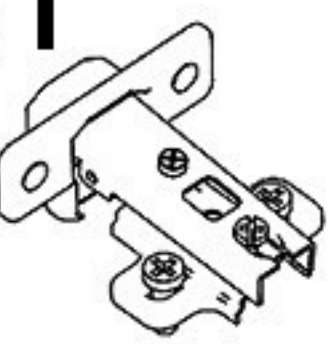





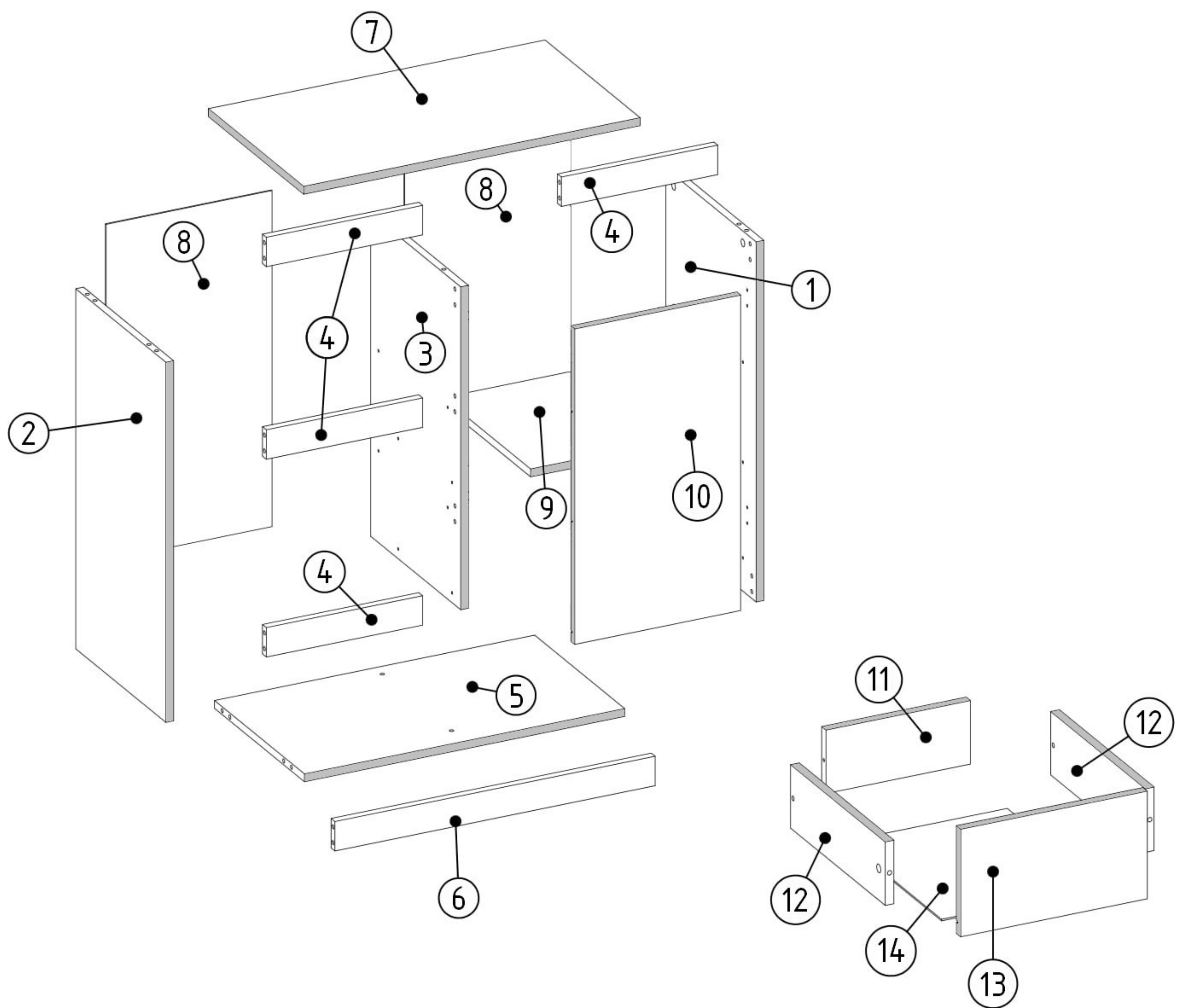
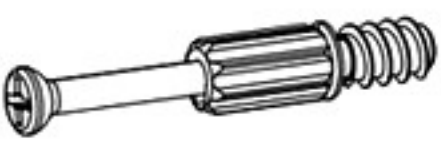

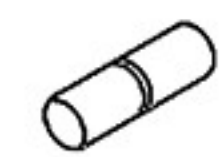




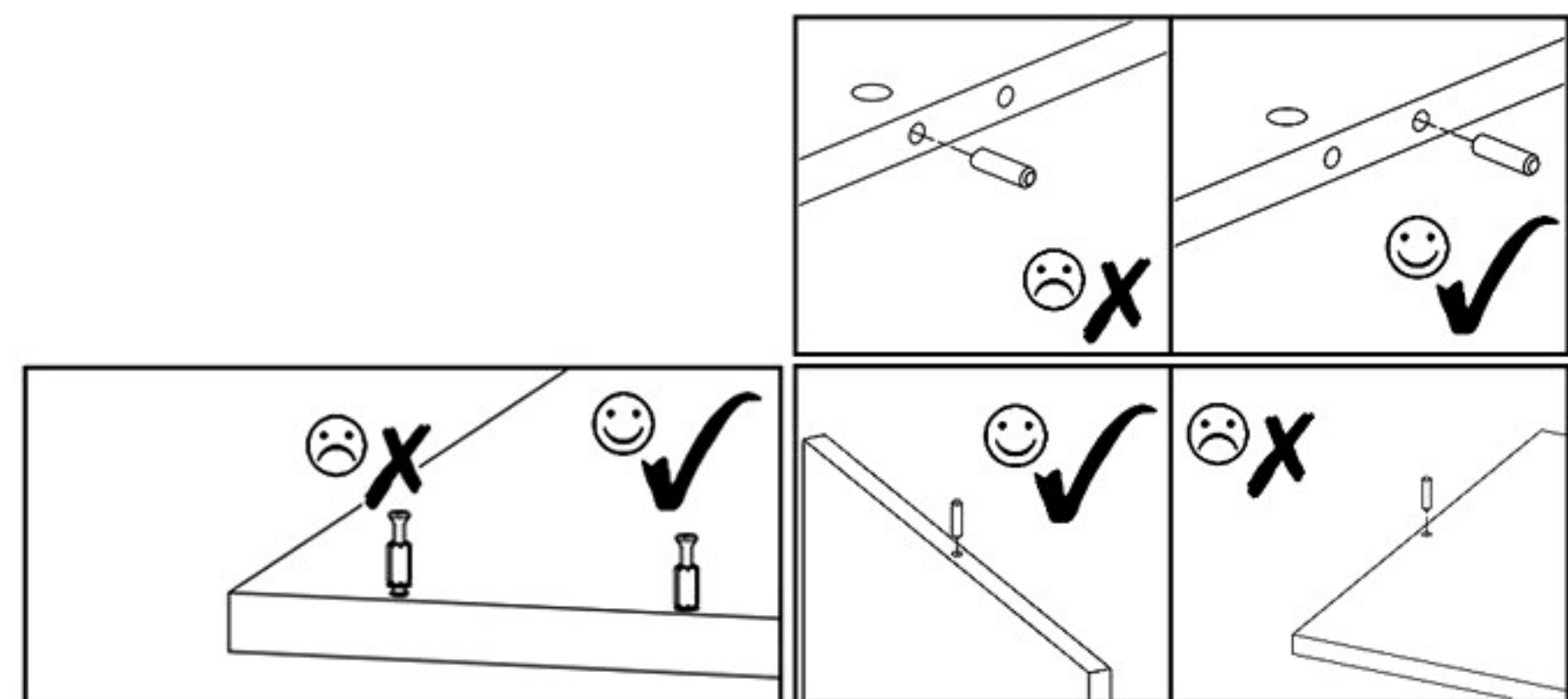
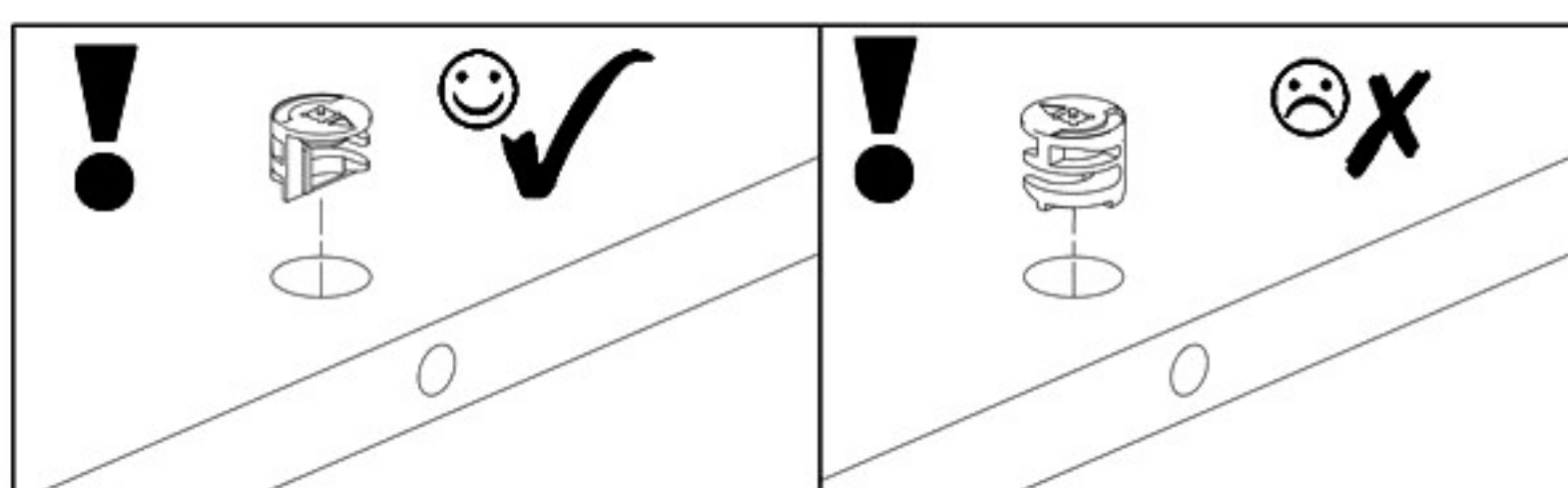
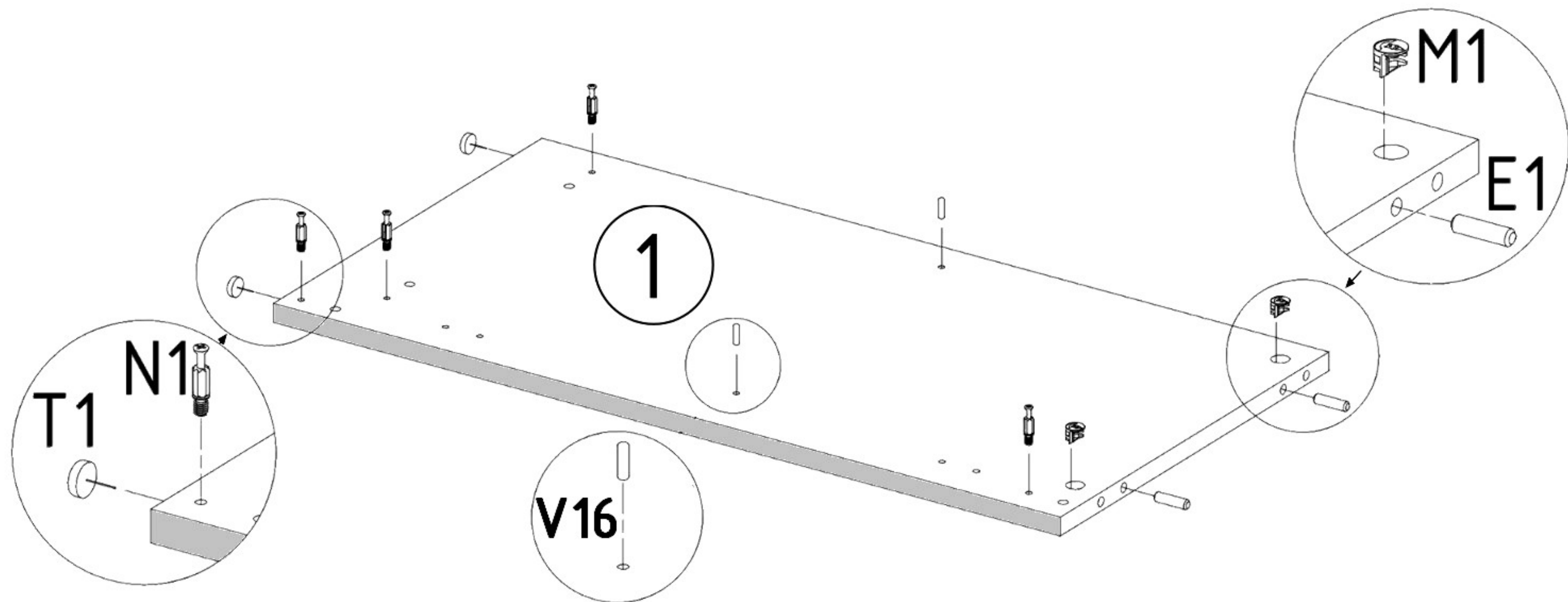
R1  6x8mm x12	B1  S-A ø17/4-5mm x2	B1  B ø17/4-5mm x8	B1  Ant ø17/4-5mm x2				
N1  L=35mm x24	M1  12x15mm x26	S1  3,5x16mm x16	E1  8x30mm x20	E3  8x50mm x1	F1  7x50mm x8	F3  x1	V15  x5
T1  x4	Z1  x50	A1  ZP x2	V16  L=16mm x4	V13  x1	P3  L=350mm x3	N4  L=62mm x1	S6  2,5x20mm x5

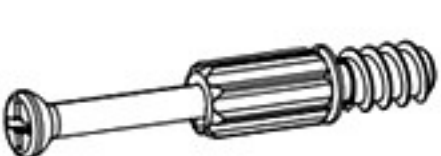

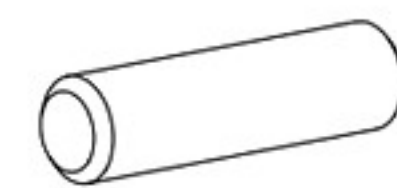

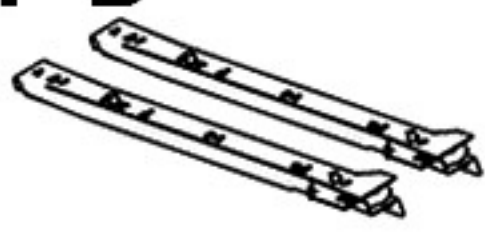



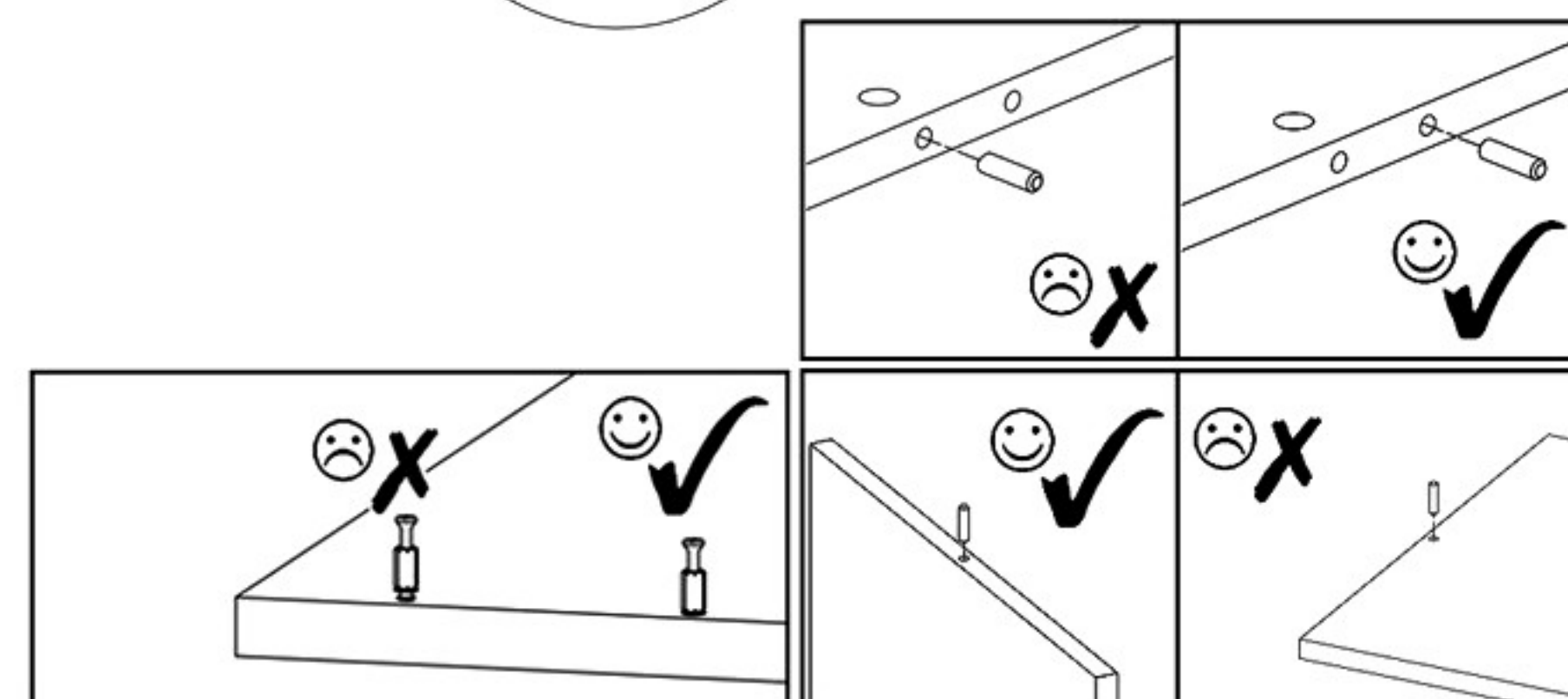
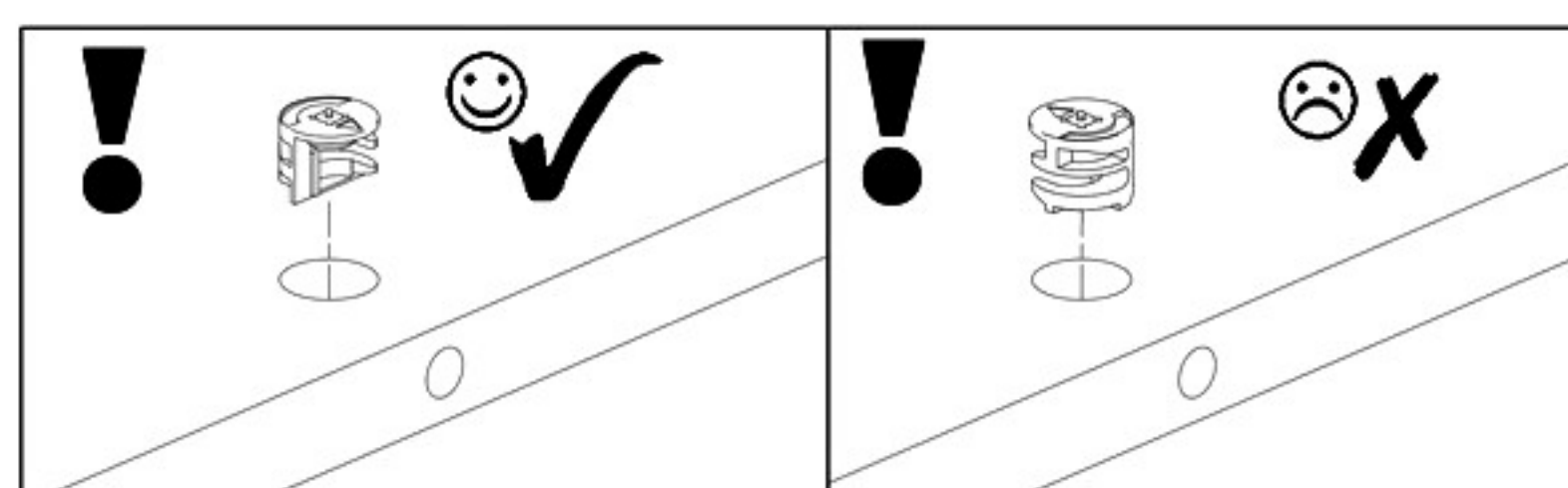
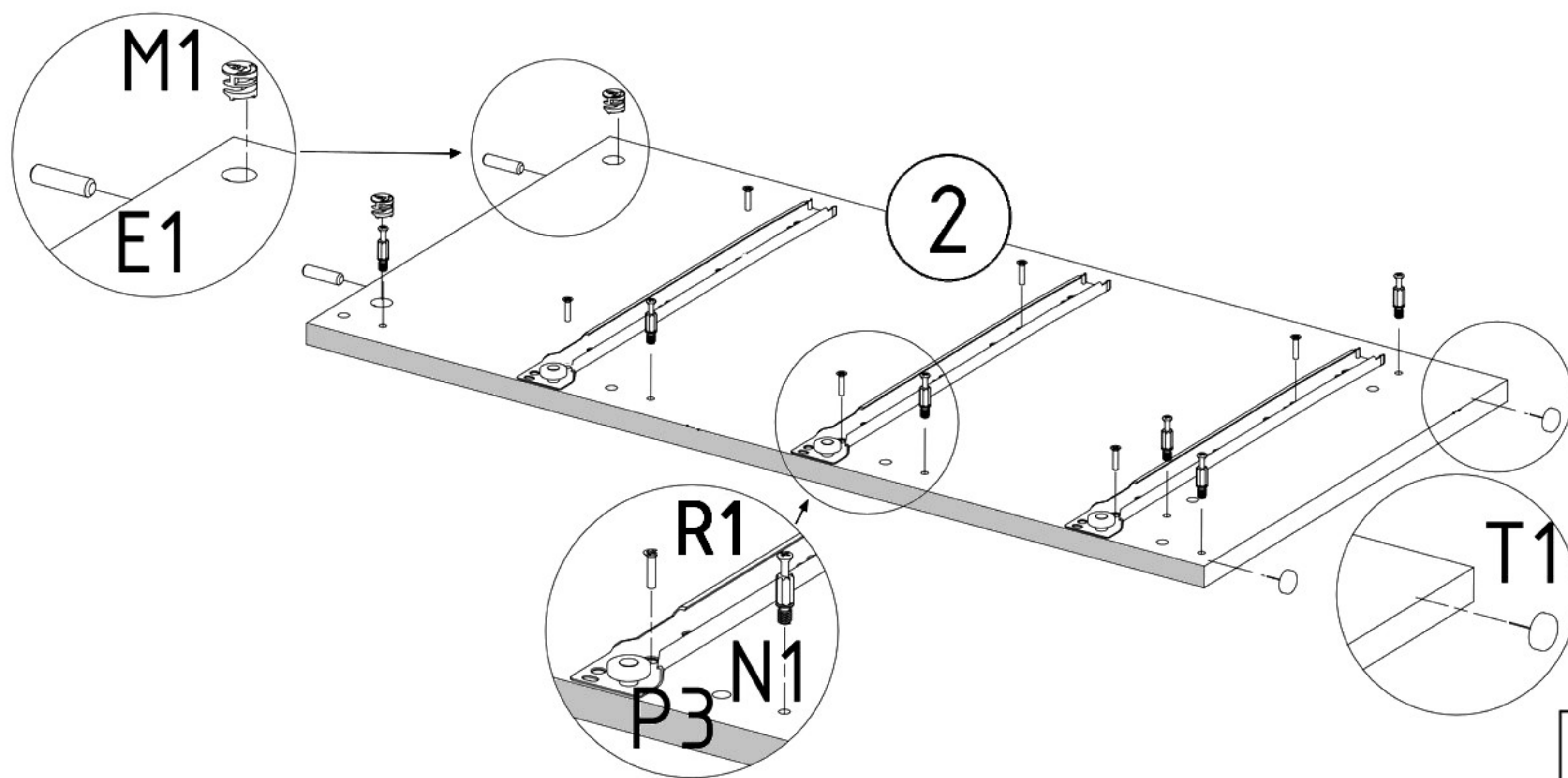
1	x	1
2	x	1
3	x	1
4	x	4
5	x	1
6	x	1
7	x	1
8	x	2




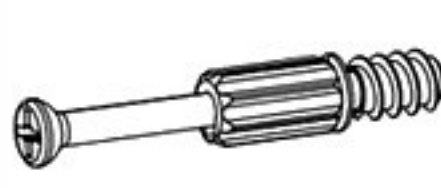

9	x	1
10	x	1
11	x	3
12	x	6
13	x	3
14	x	3

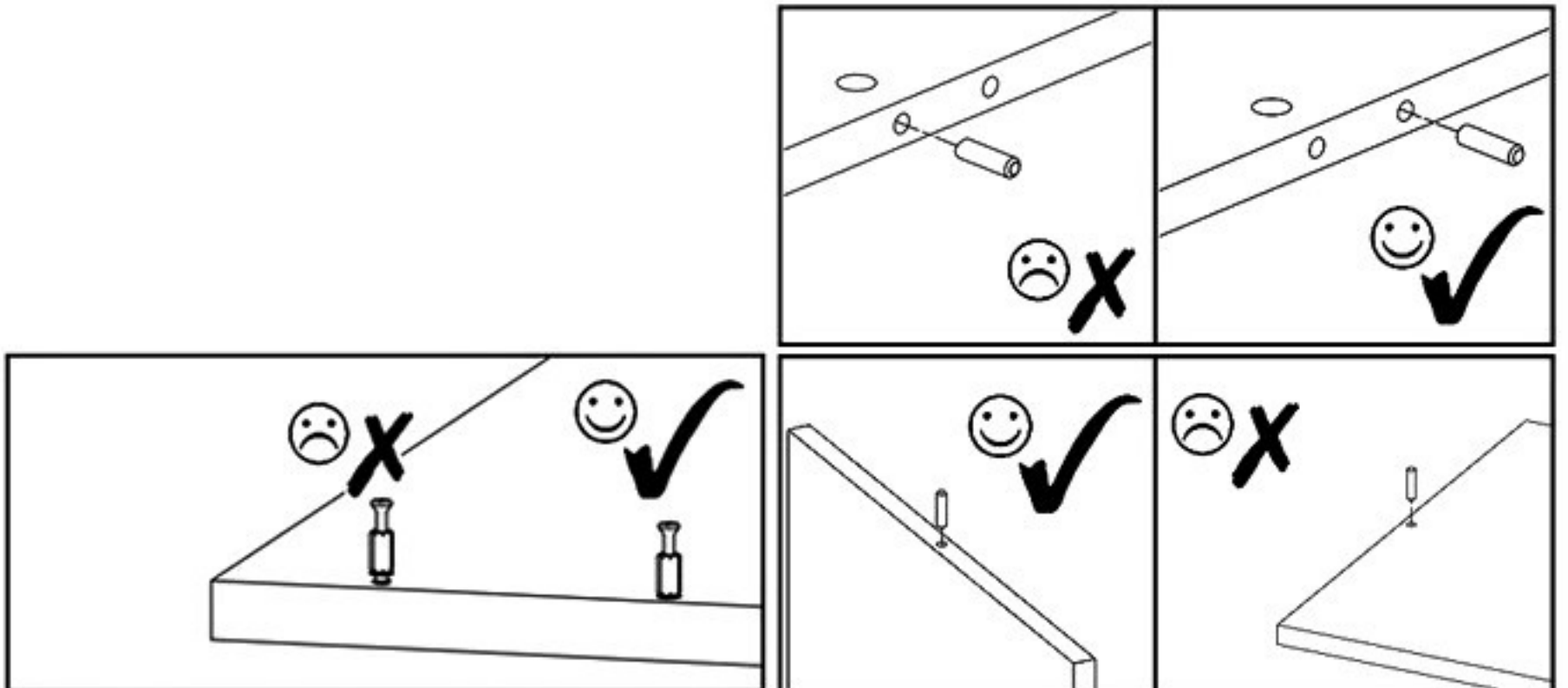
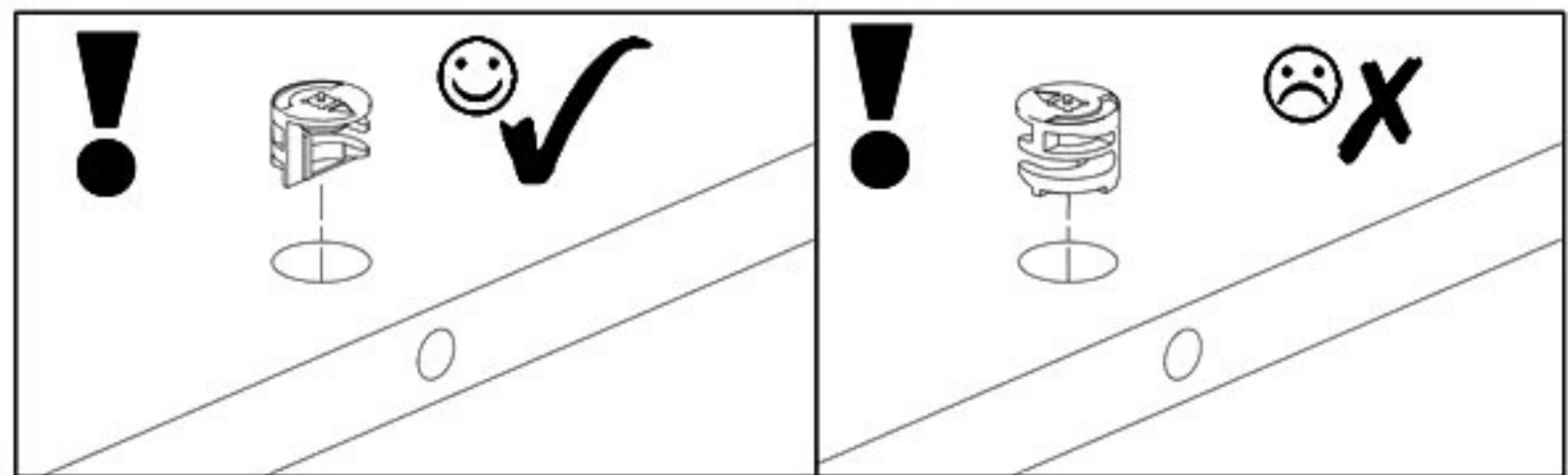
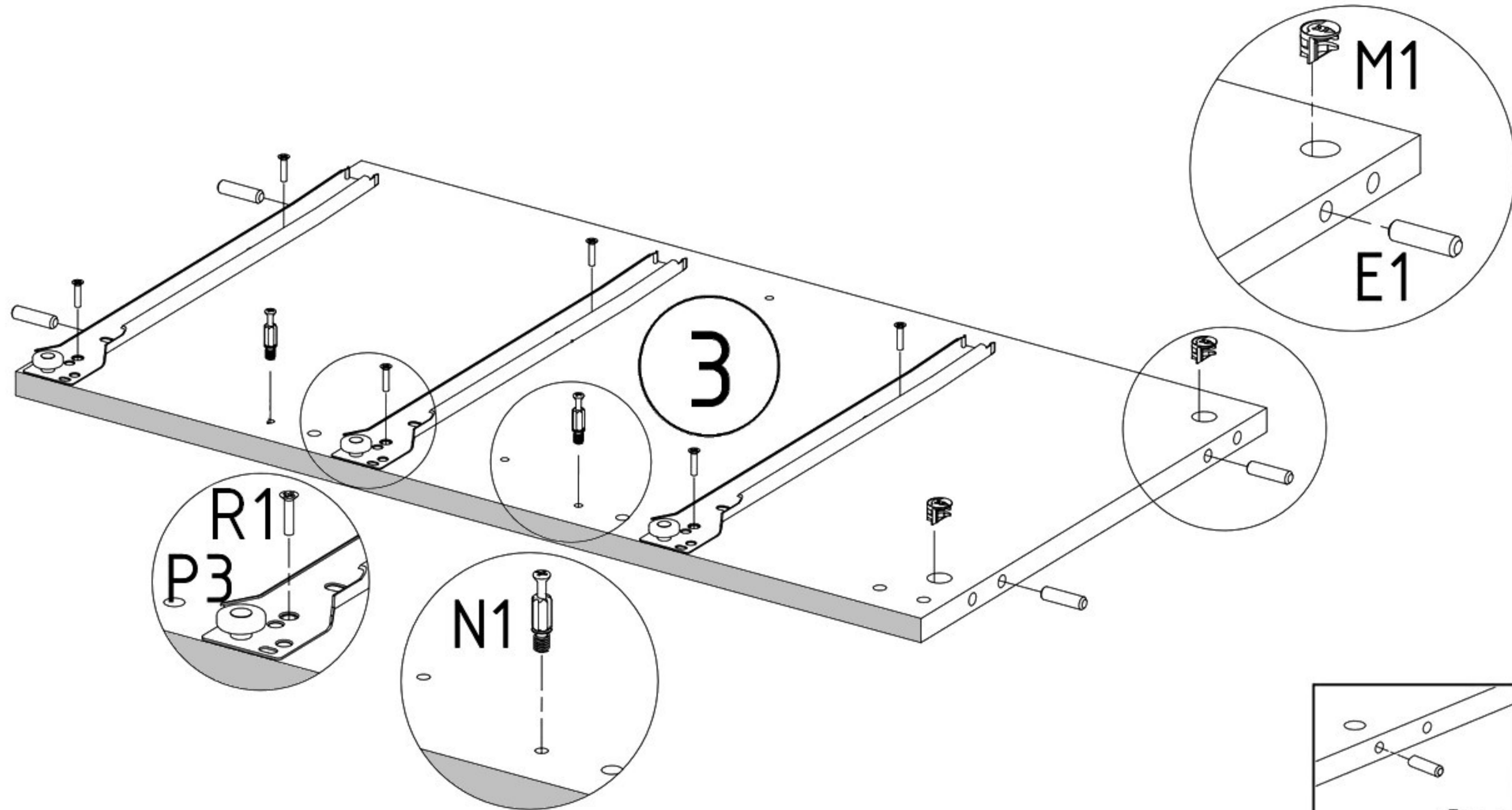
N1  L=35mm X4	M1  12x15mm X2	V16  L=16mm X2	E1  8x30mm X2	T1  X2
--	--	--	---	--




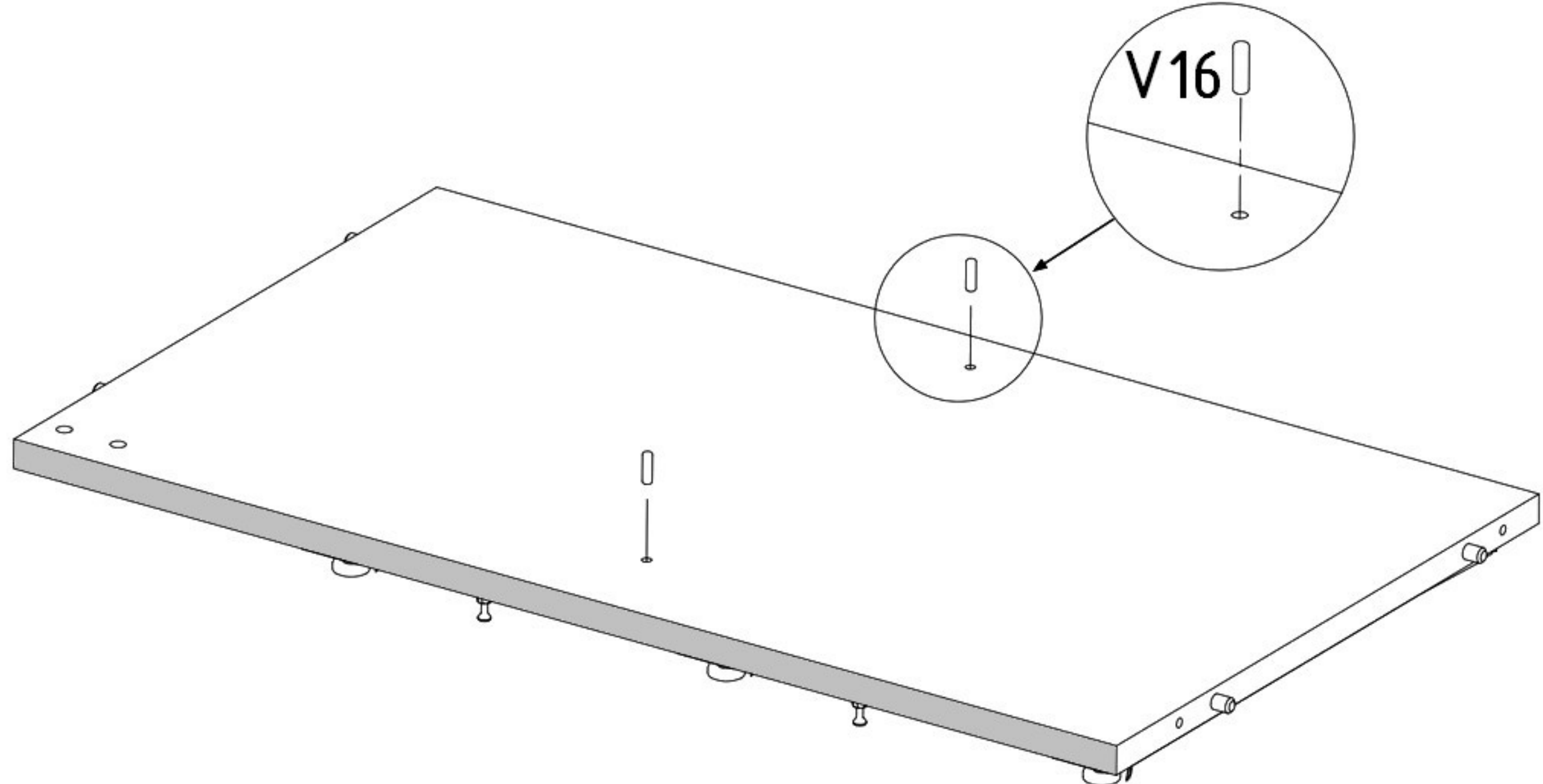
N1  L=35mm X6	M1  12x15mm X2	E1  8x30mm X2	R1  6x8mm X6	P3  L=350mm X3	T1  X2
--	--	---	--	--	--

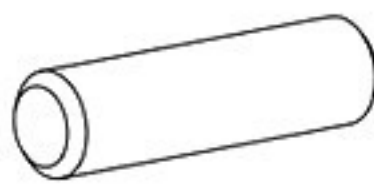



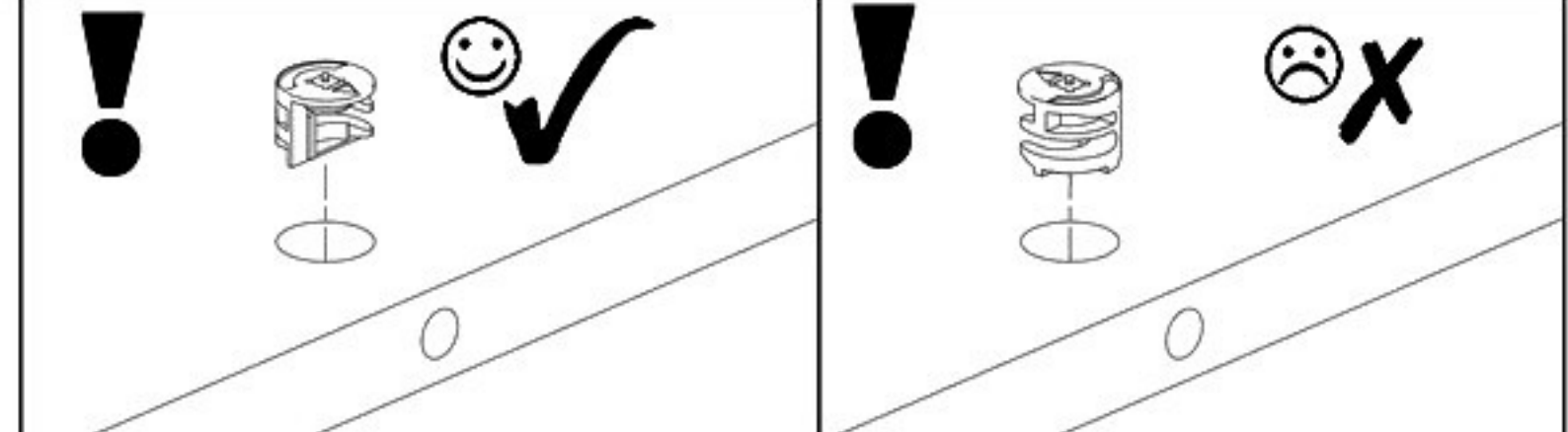
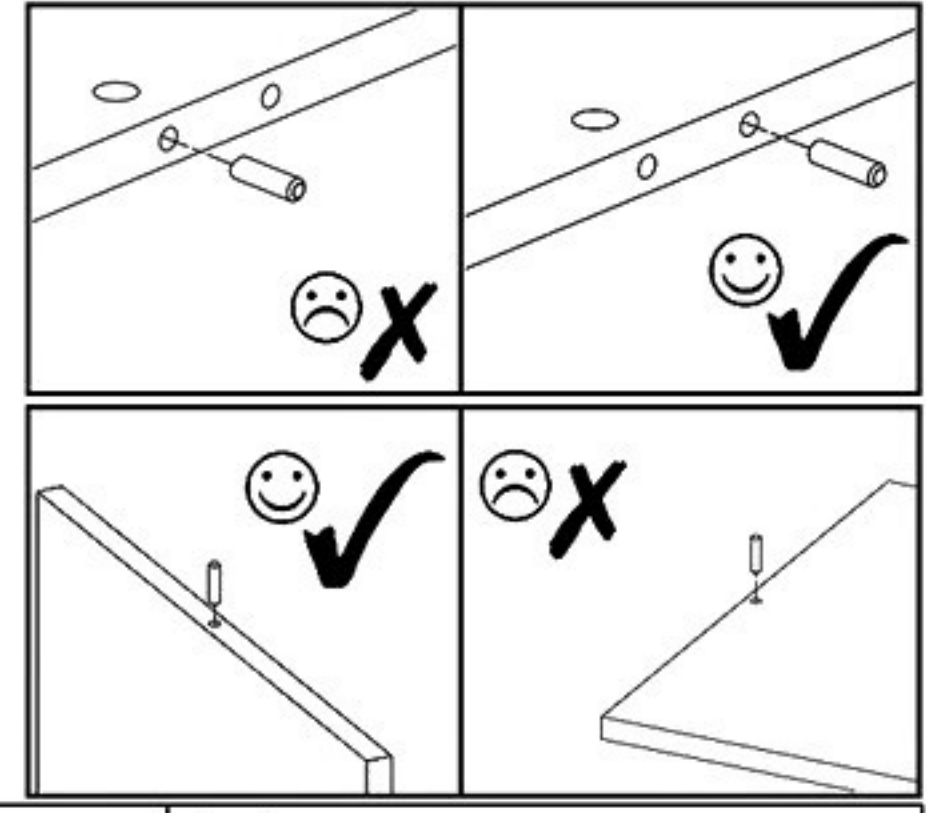
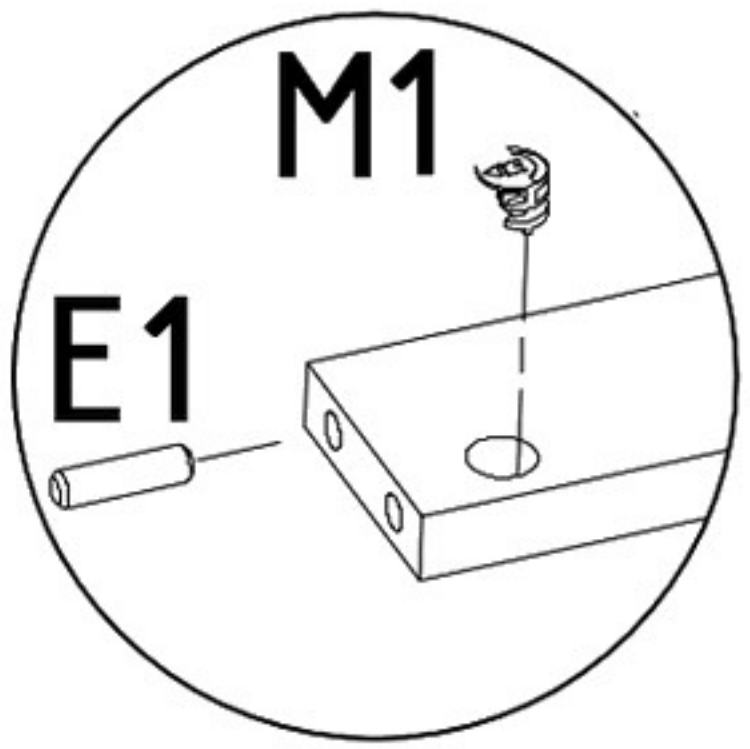
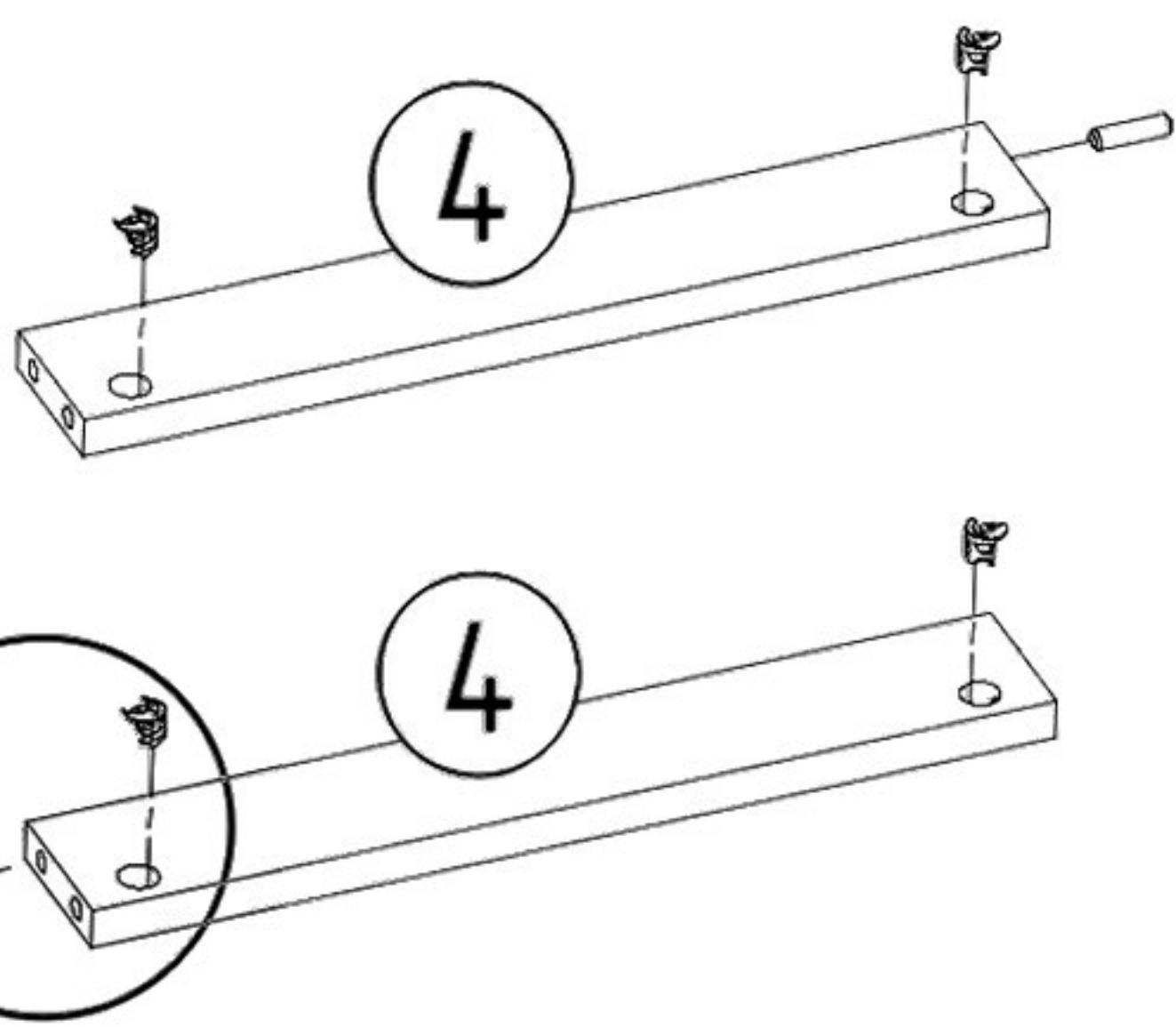
P3  L=350mm X3	R1  6x8mm X6	E1  8x30mm X4	N1  L=35mm X2	M1  12x15mm X2
---	--	---	---	--





V16  L=16mm X2
--

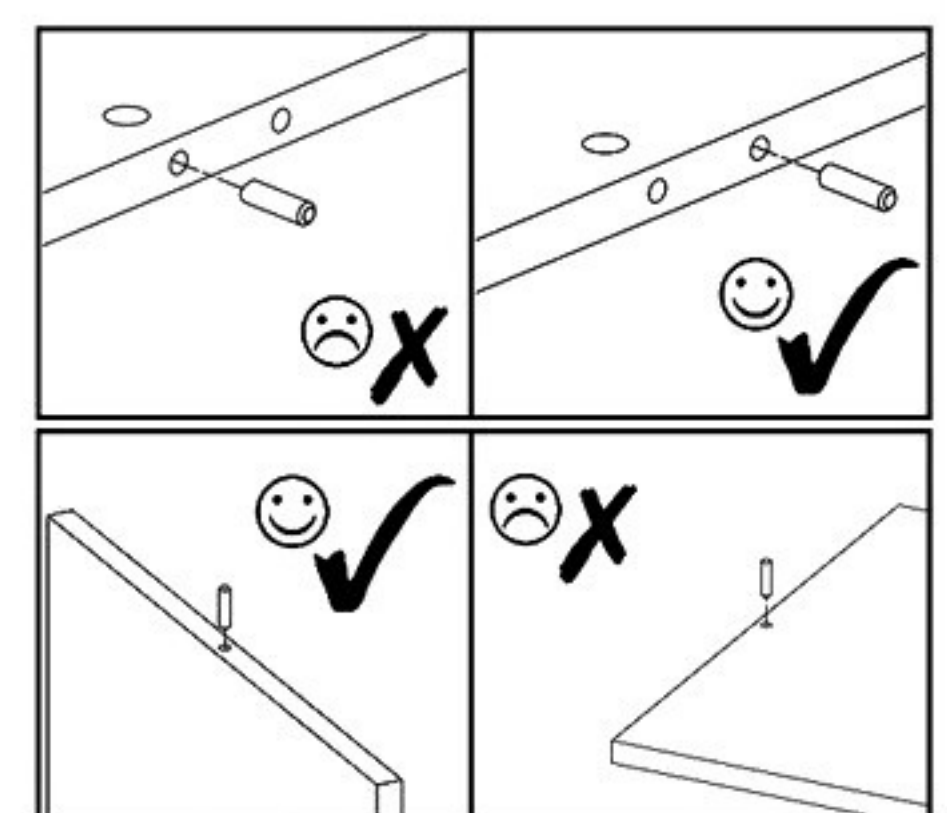
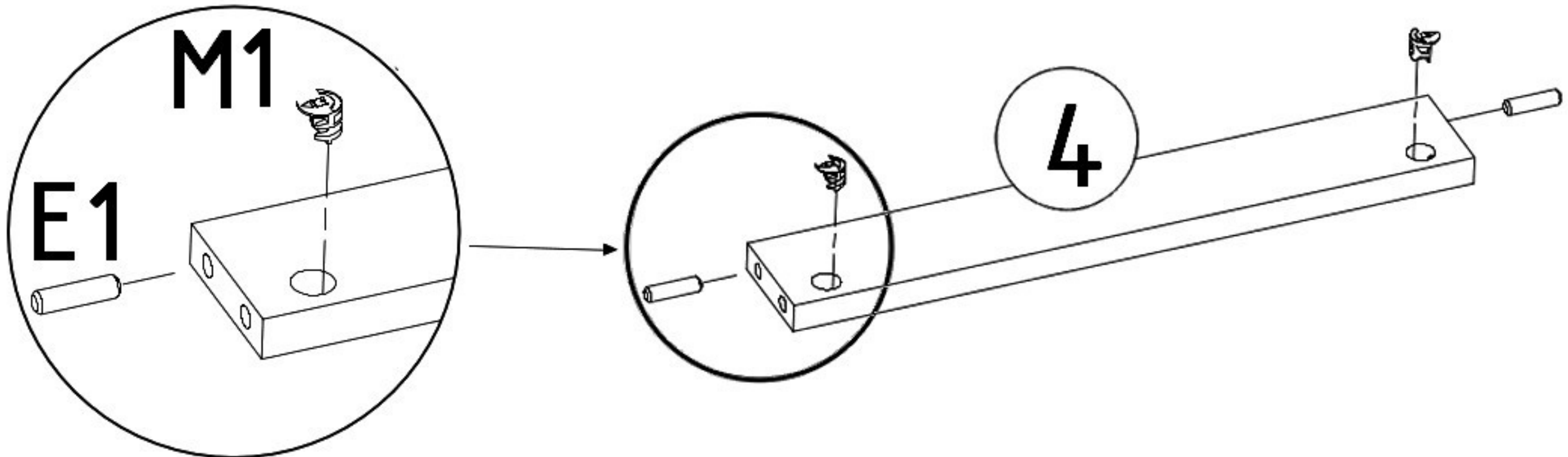


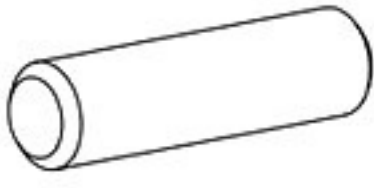
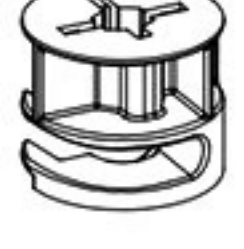
E1  8x30mm X2	M1  12x15mm X4
--	--

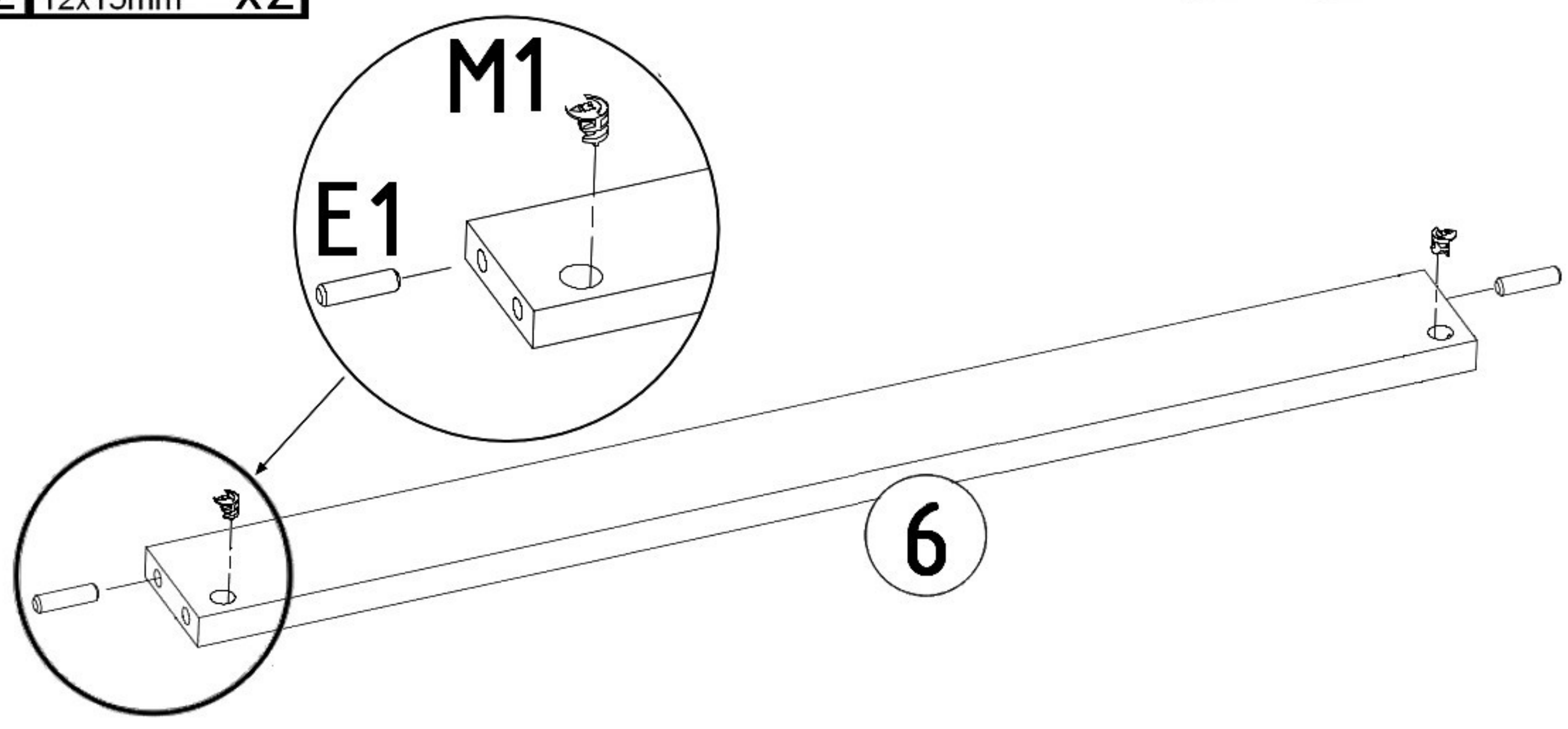
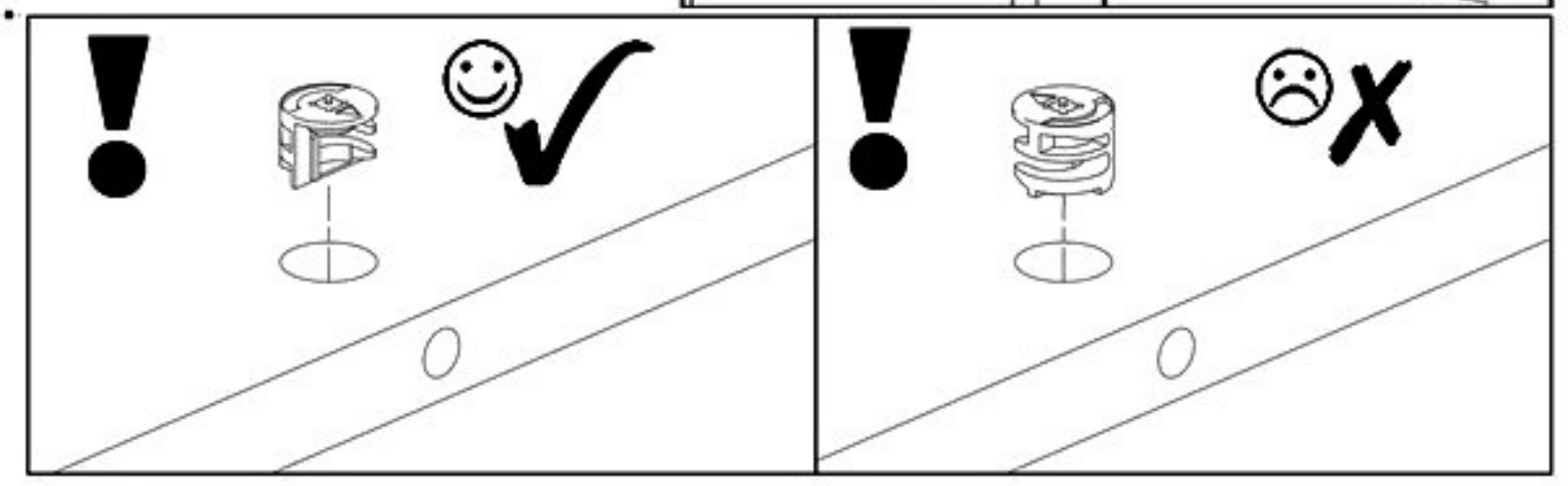



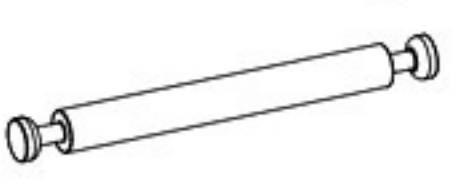
x2

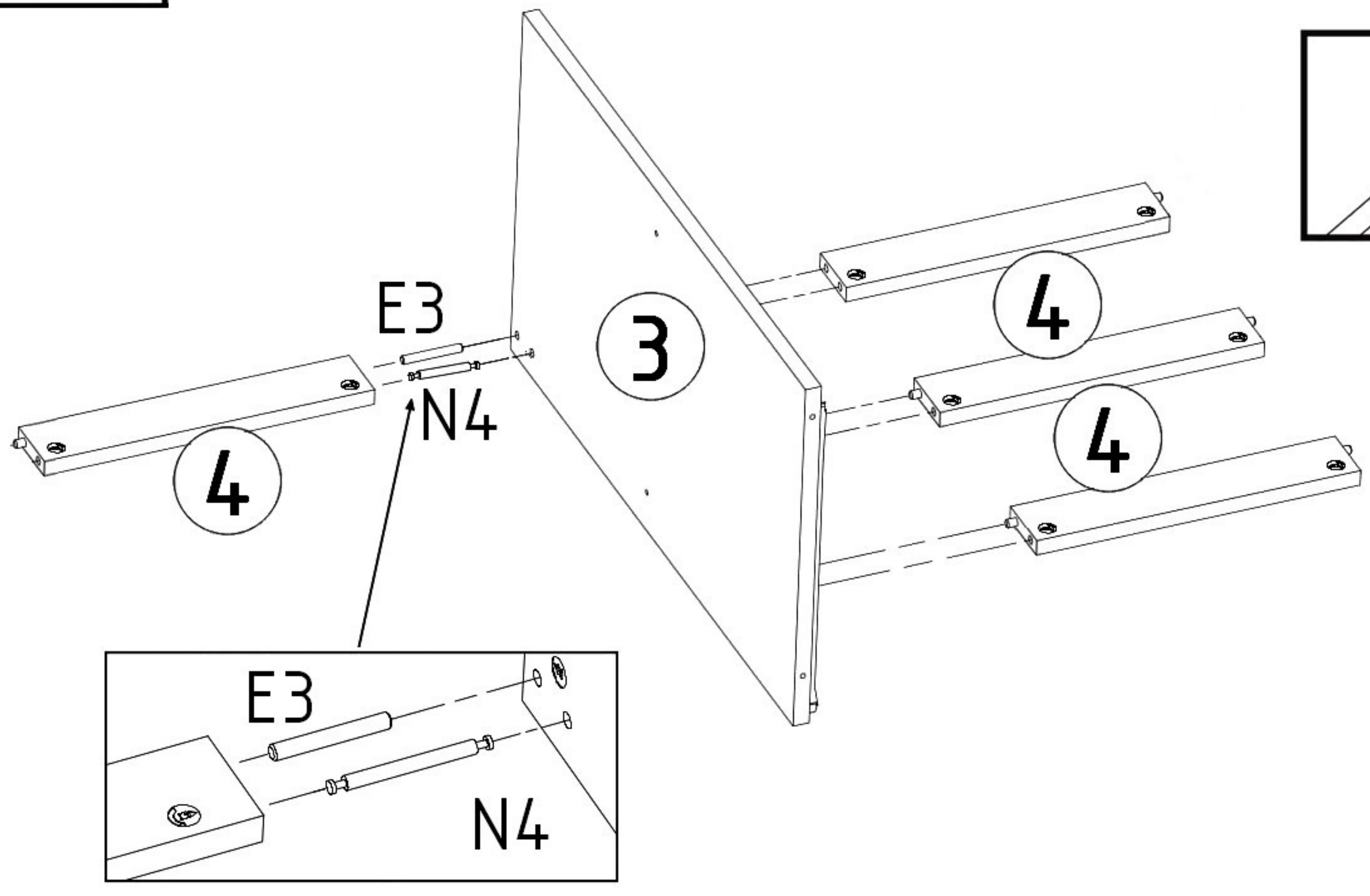
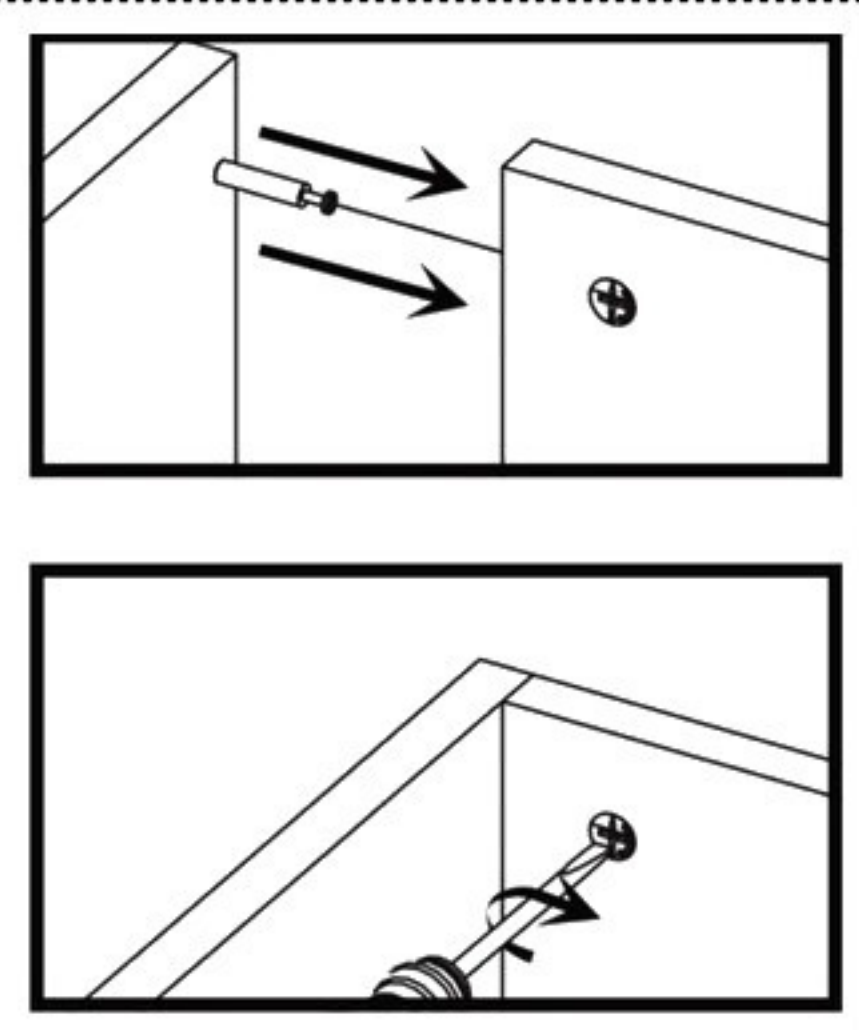
E1  8x30mm X4	M1  12x15mm X4
--	--

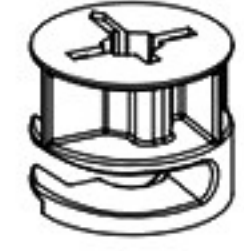



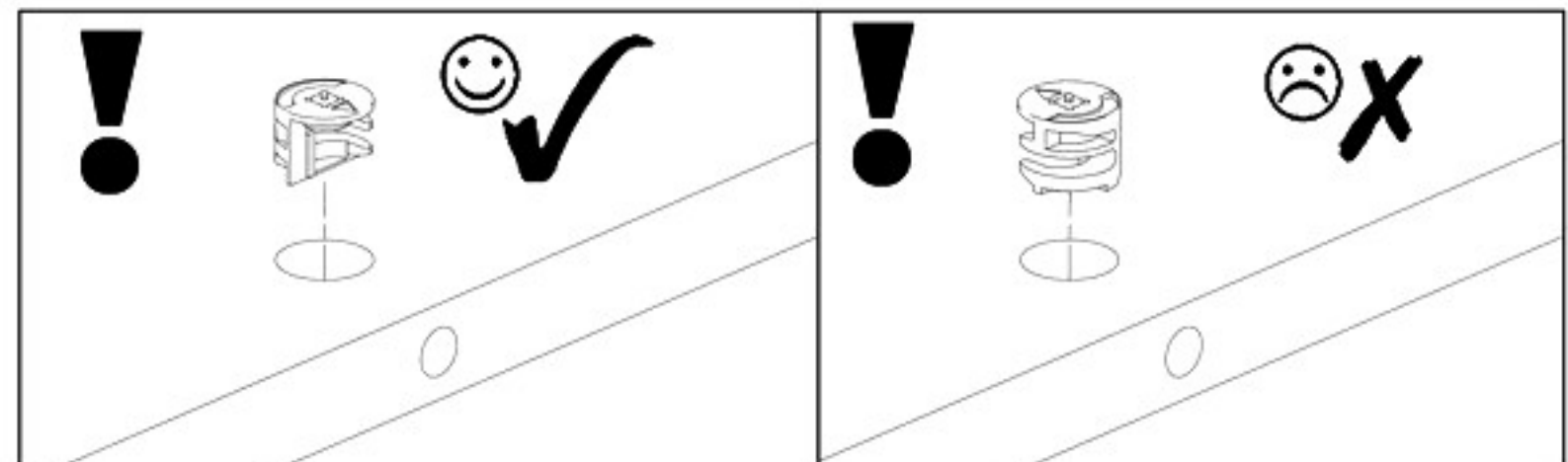
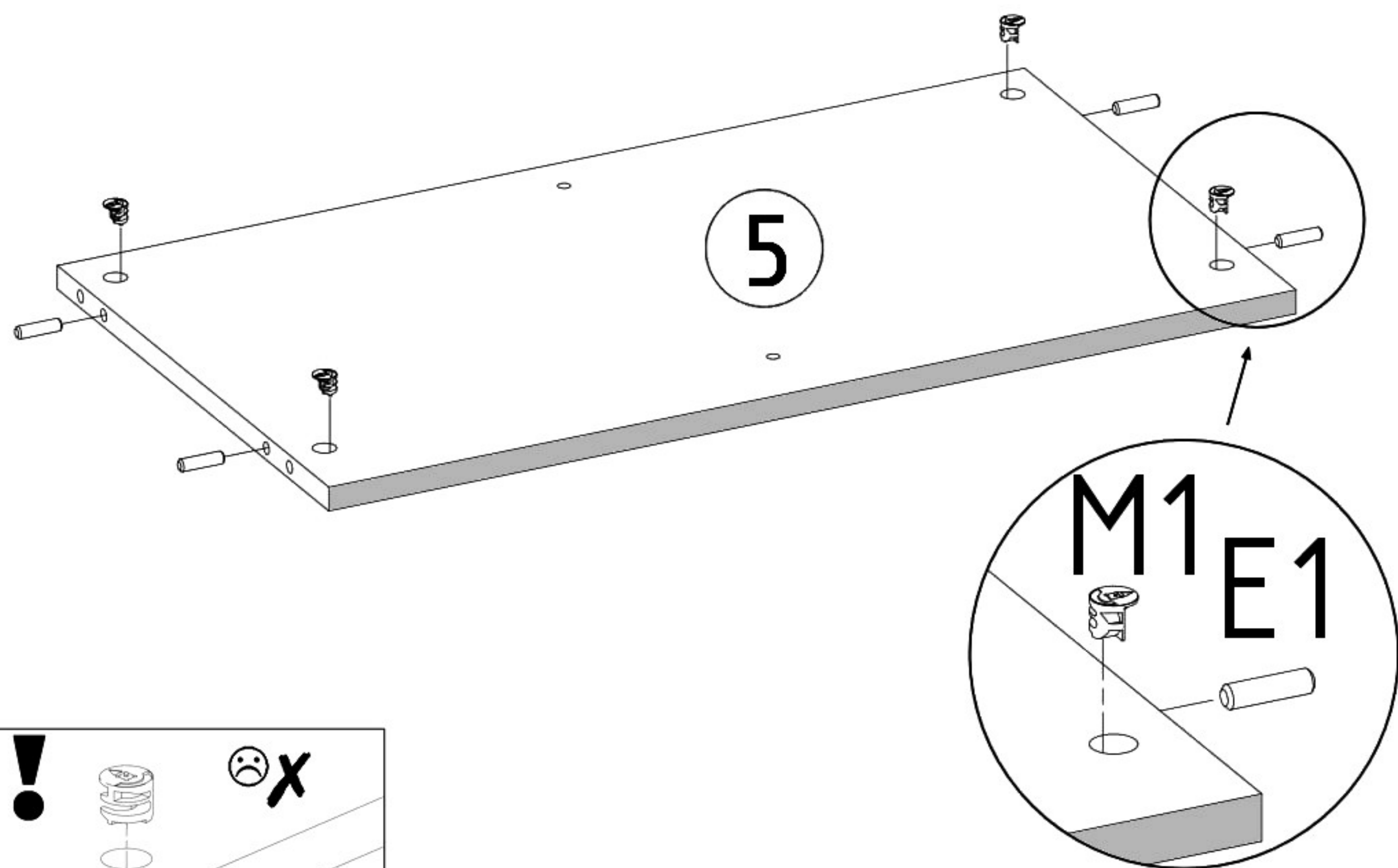
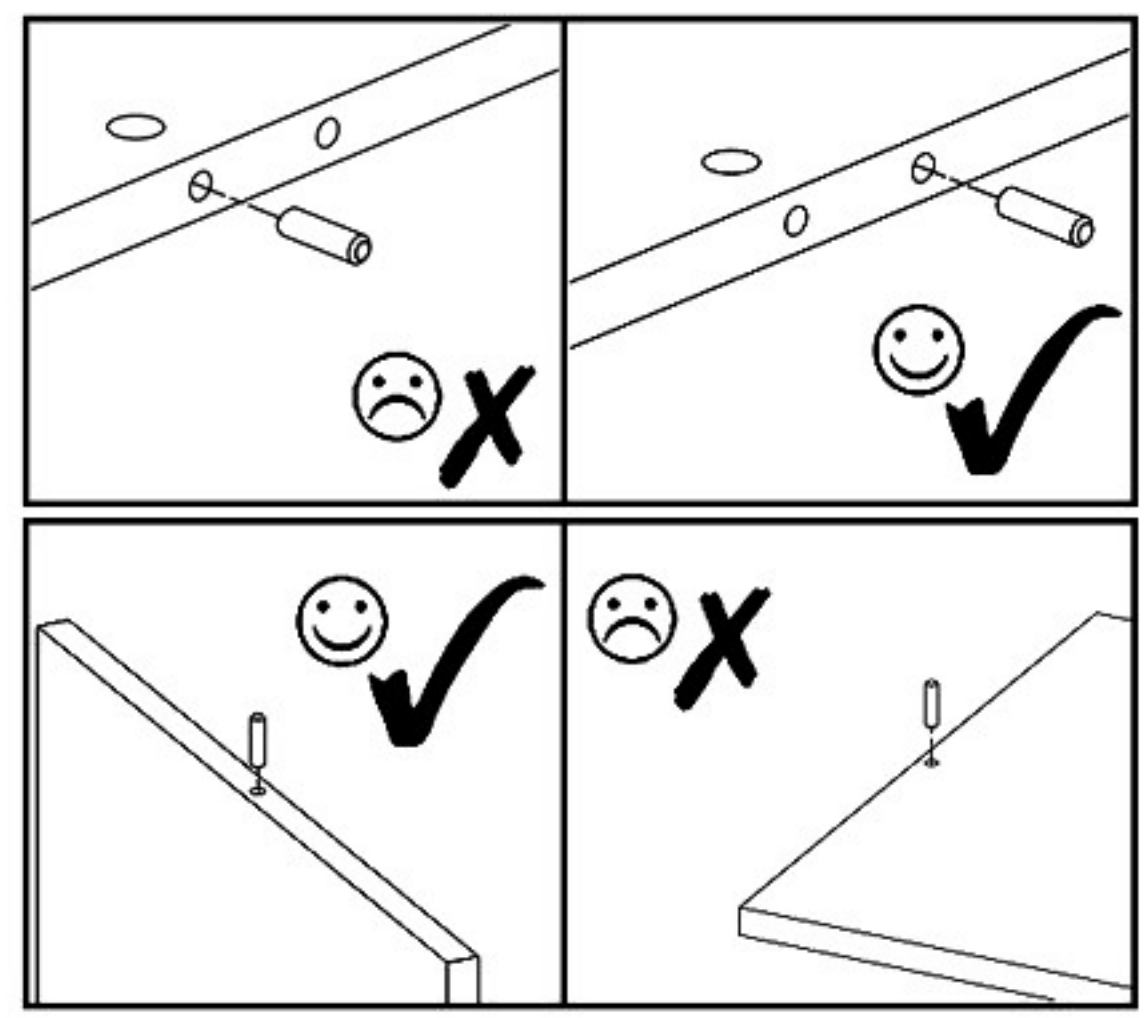
E1  8x30mm X2	M1  12x15mm X2
--	---

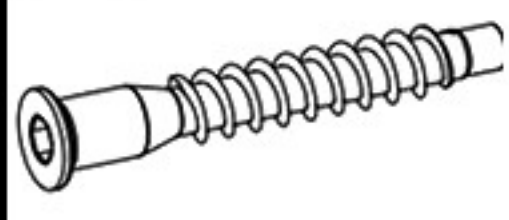
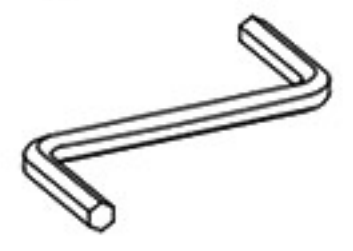


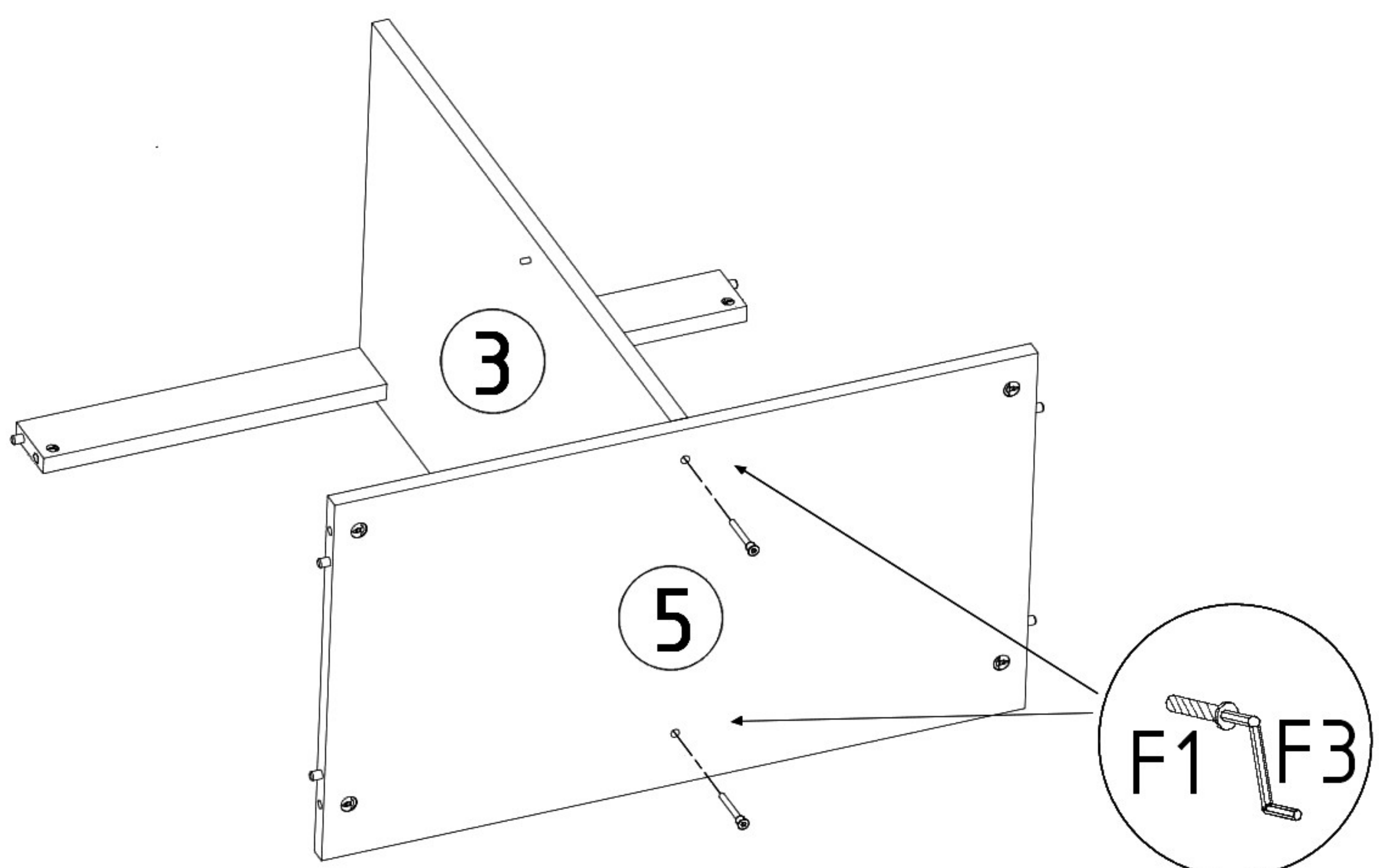
E3  8x50mm X1	N4  L=62mm X1
--	---

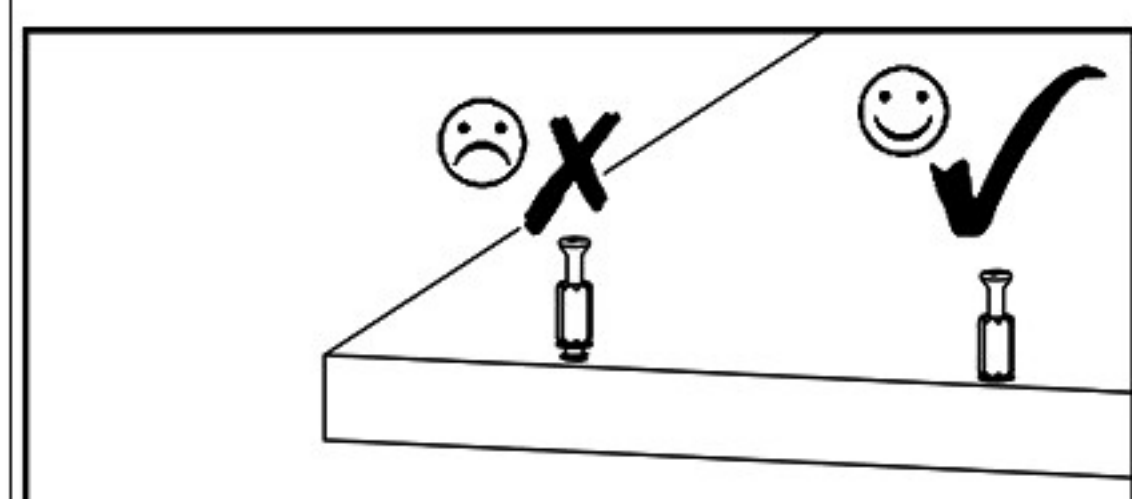
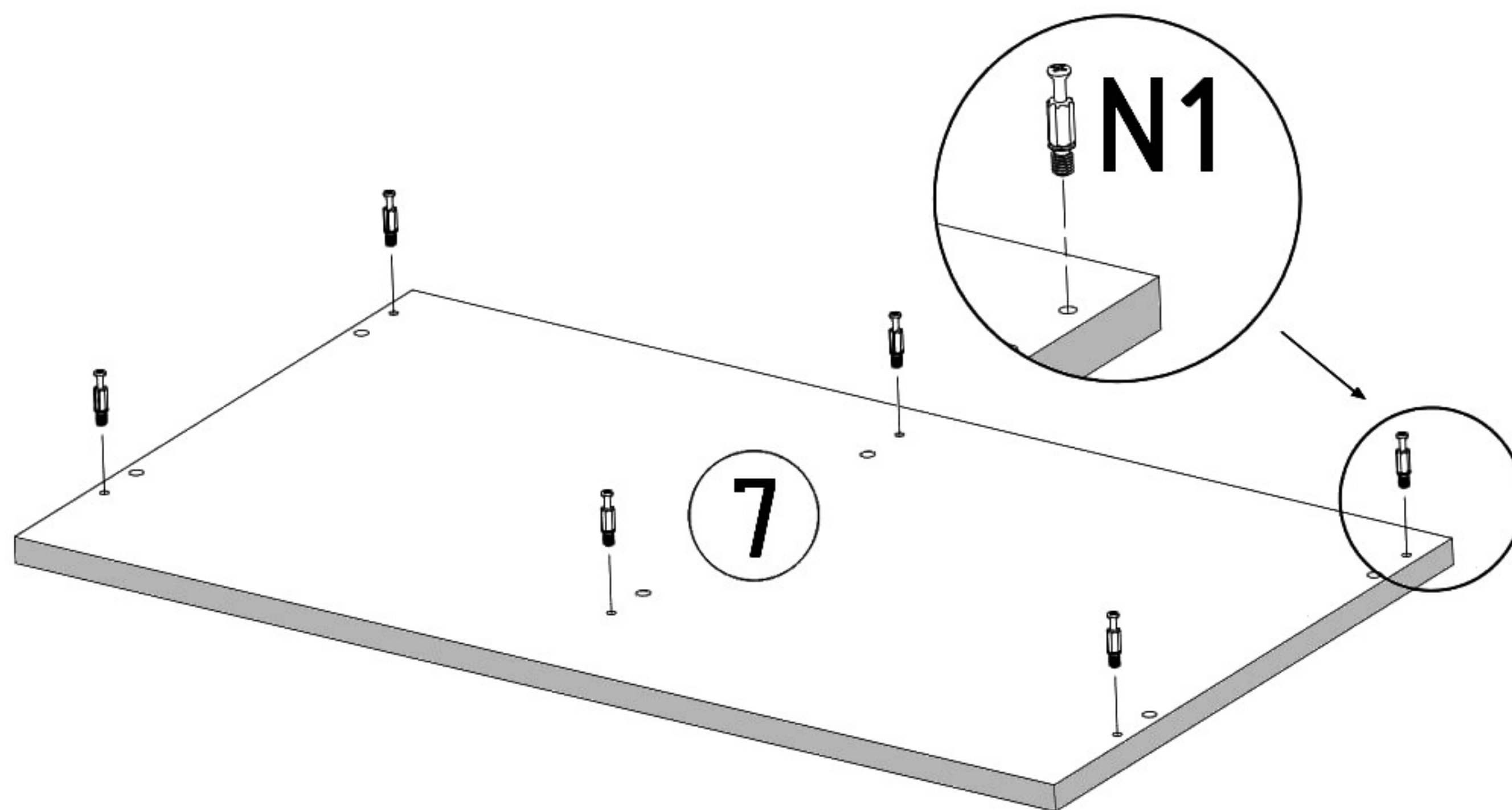
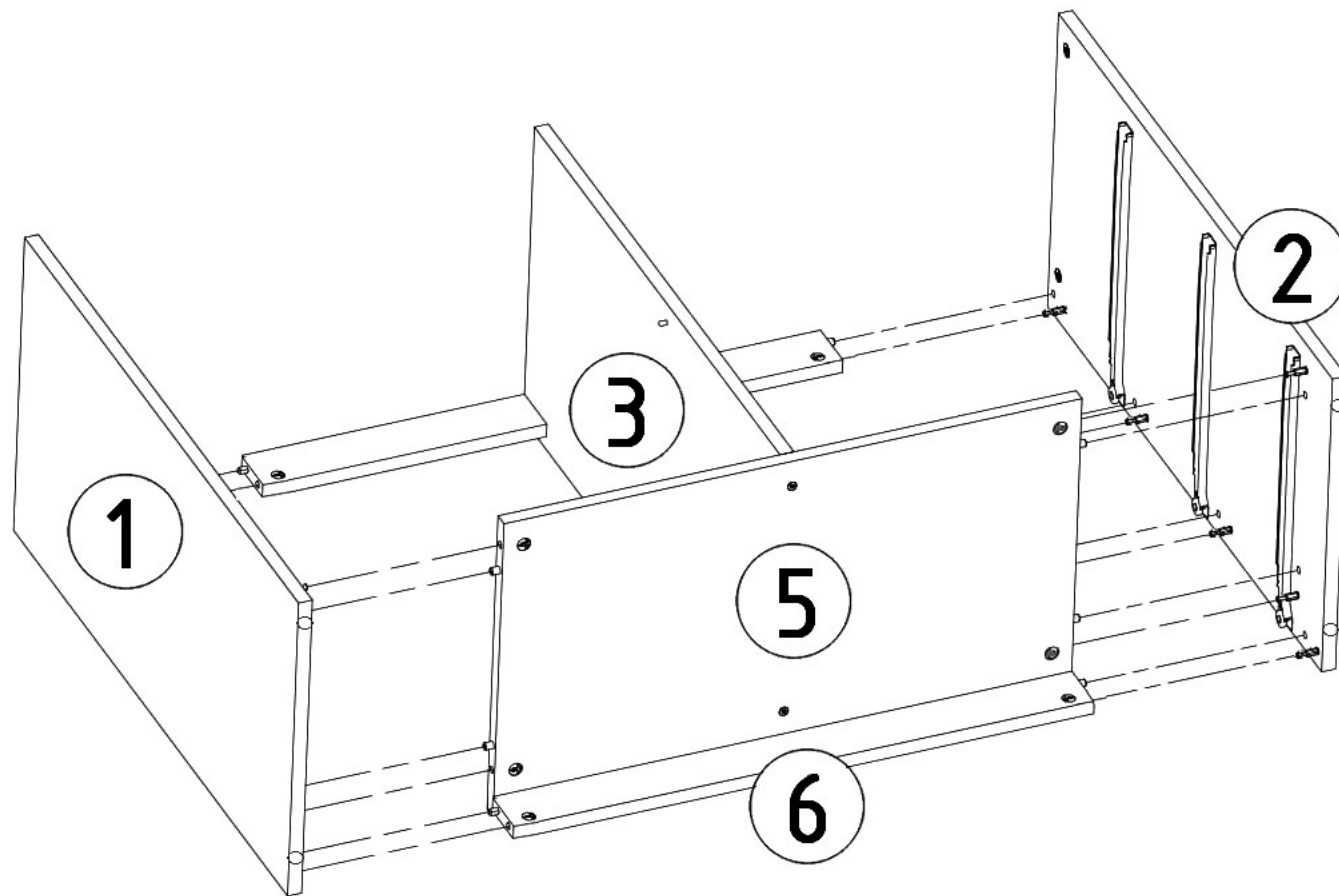
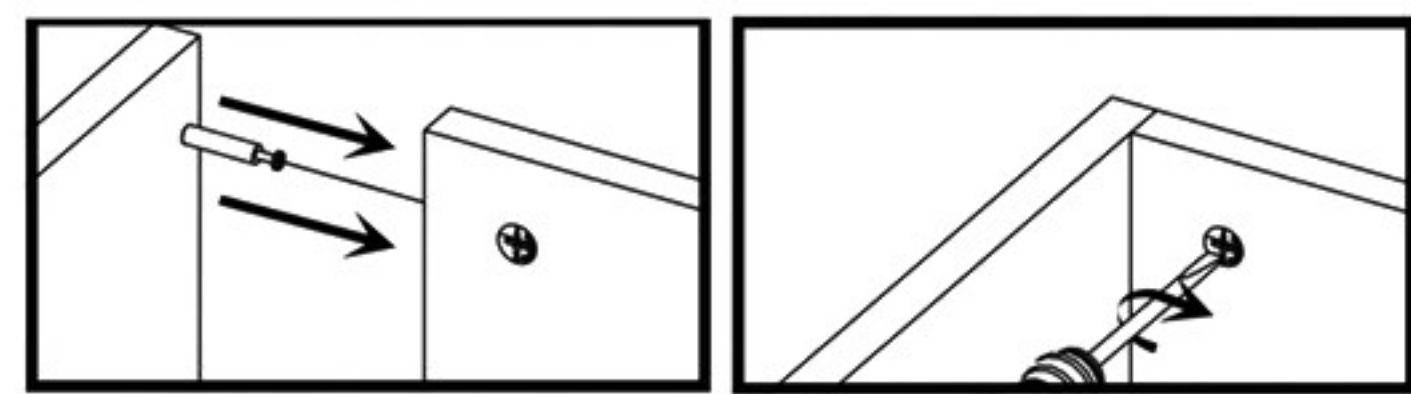


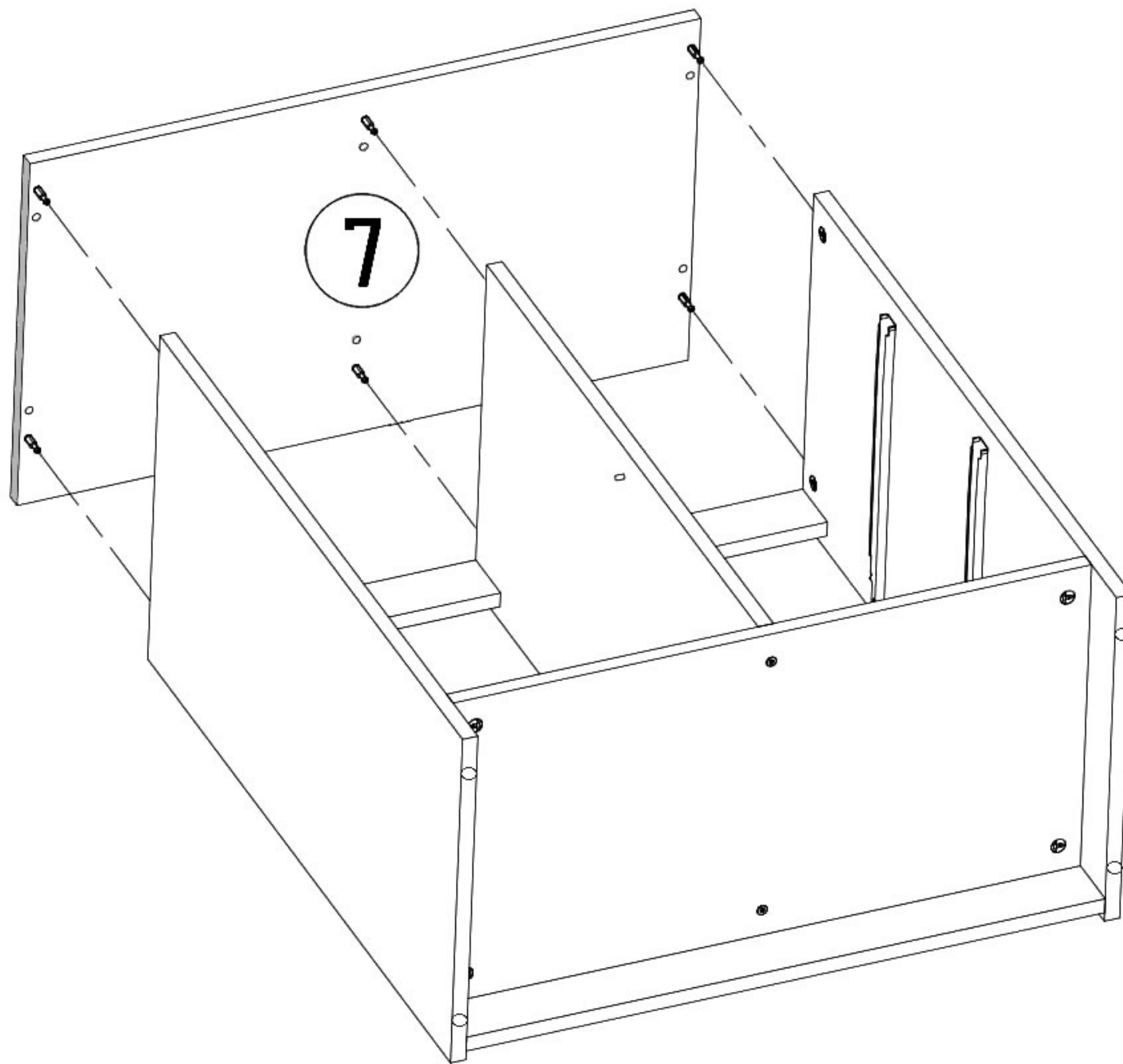
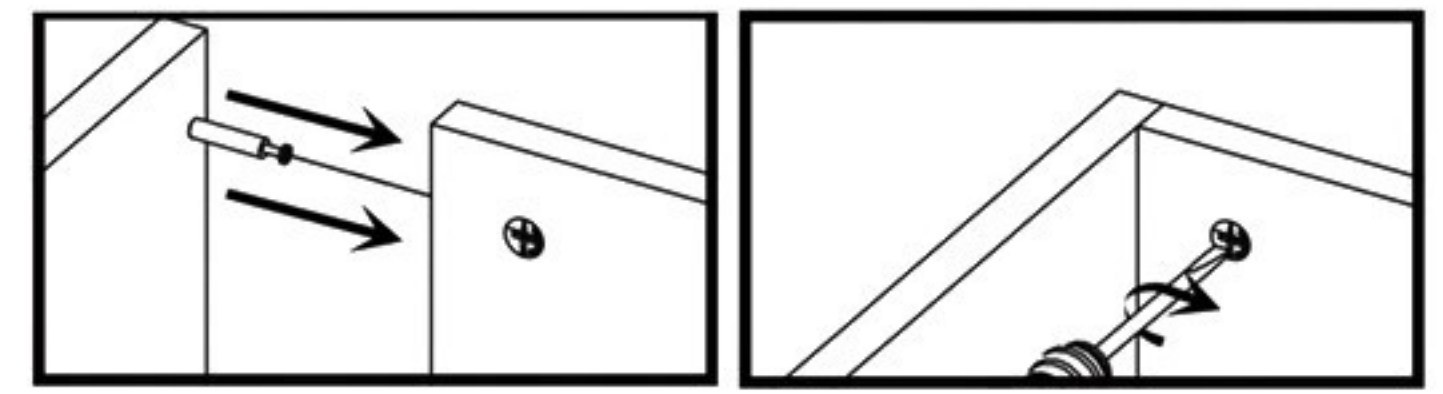
M1  12x15mm X4	E1  8x30mm X4
---	---



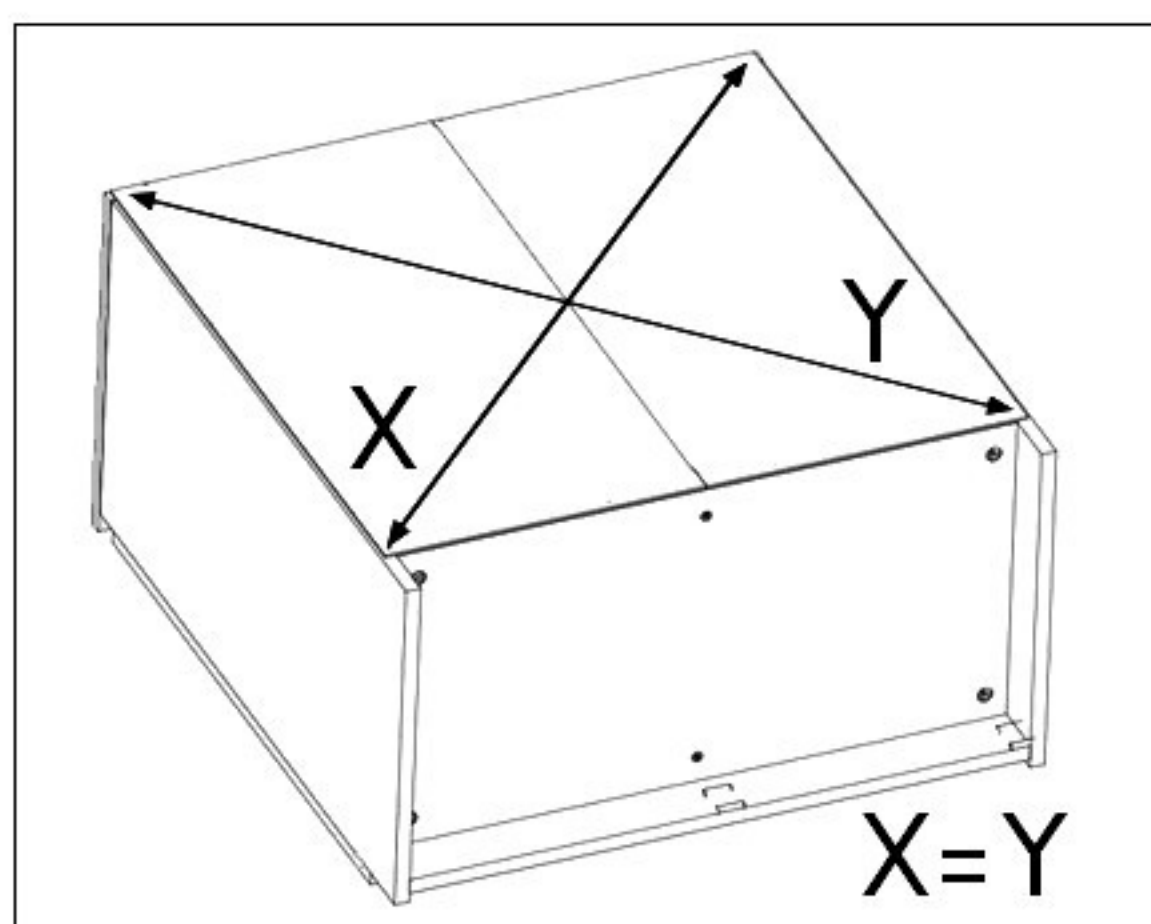
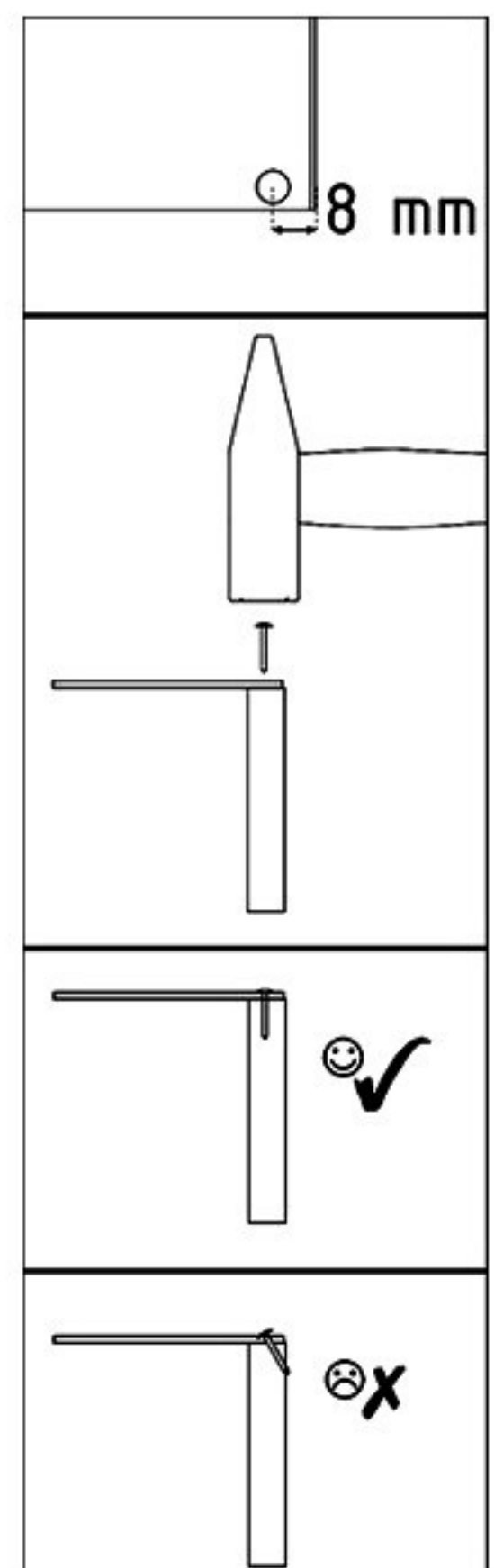
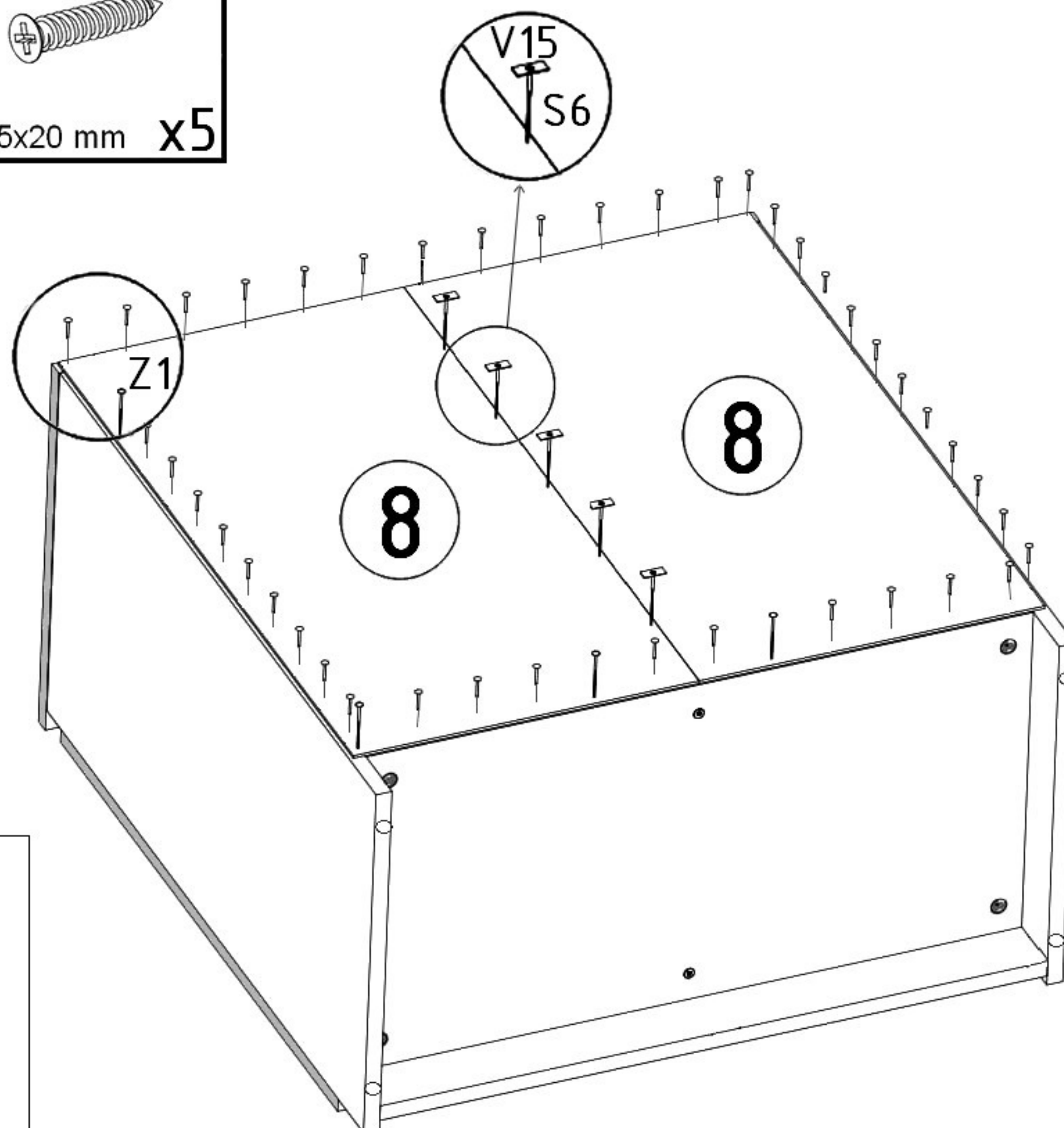
F1  7x50mm X2	F3  X1
--	--

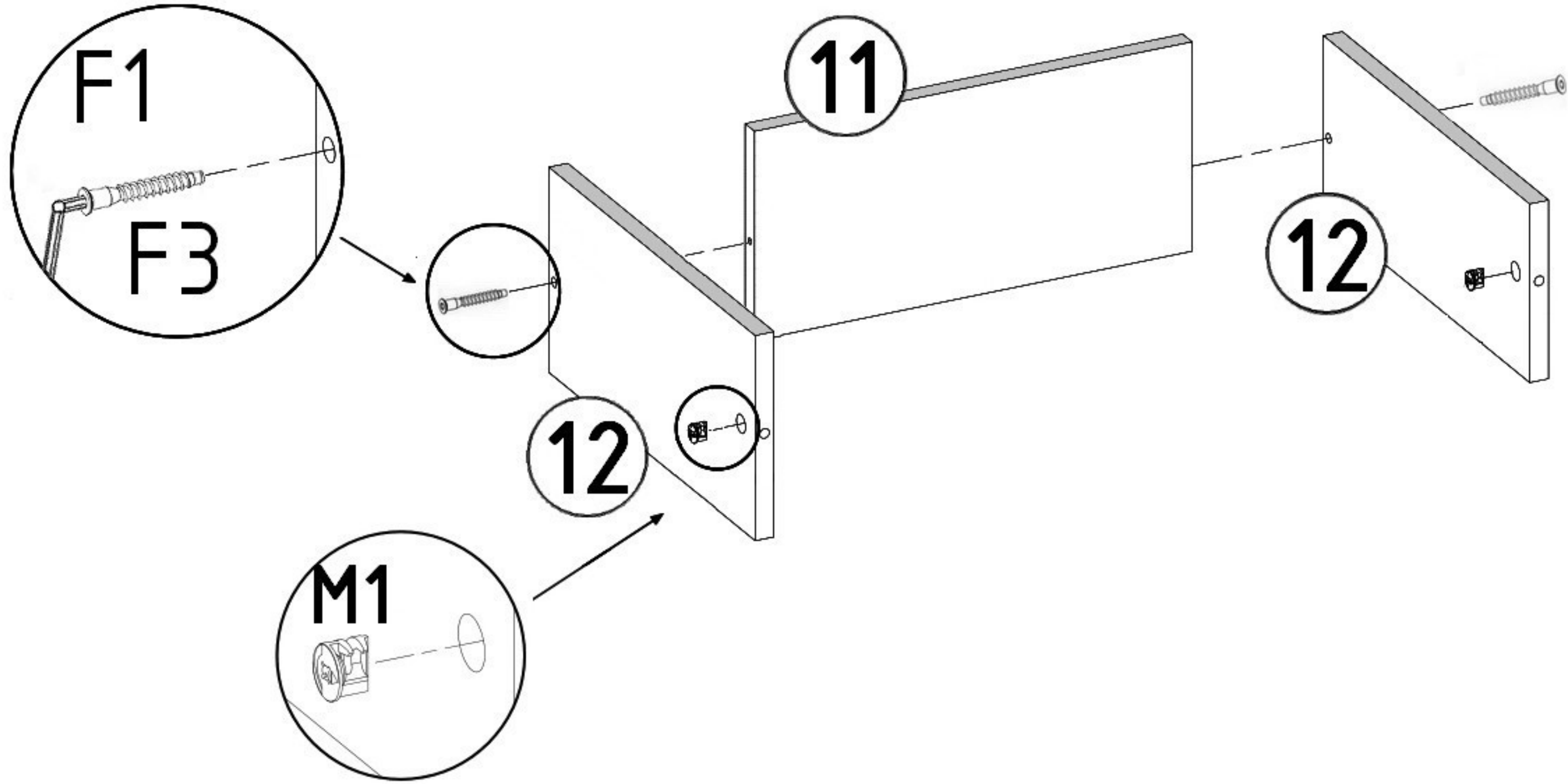
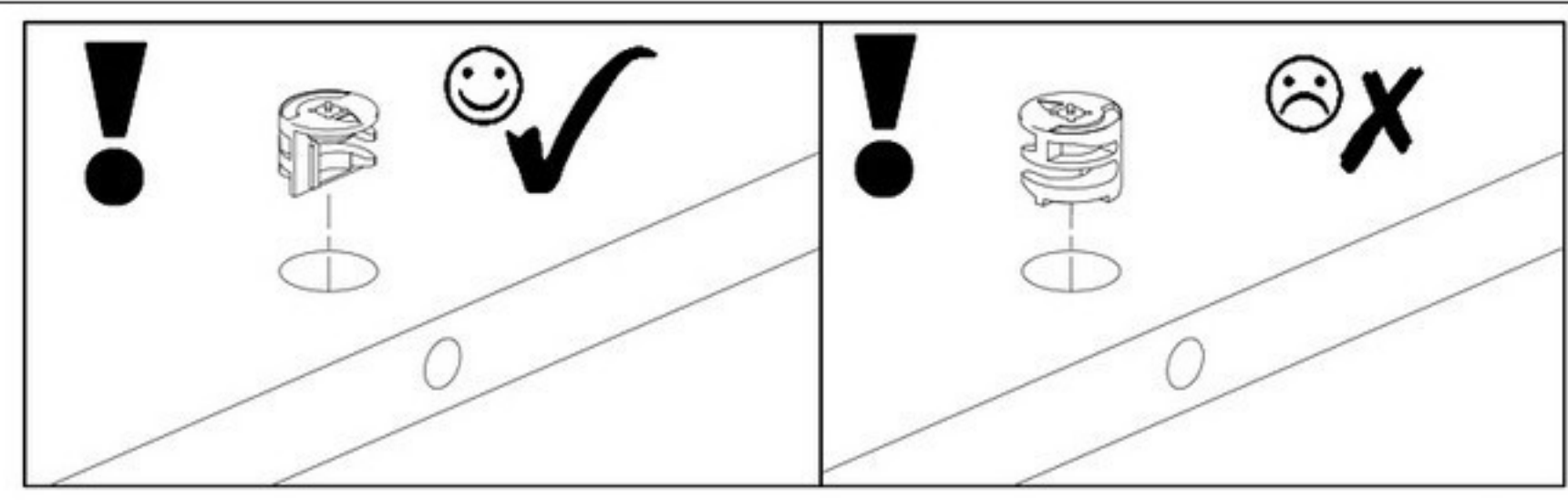
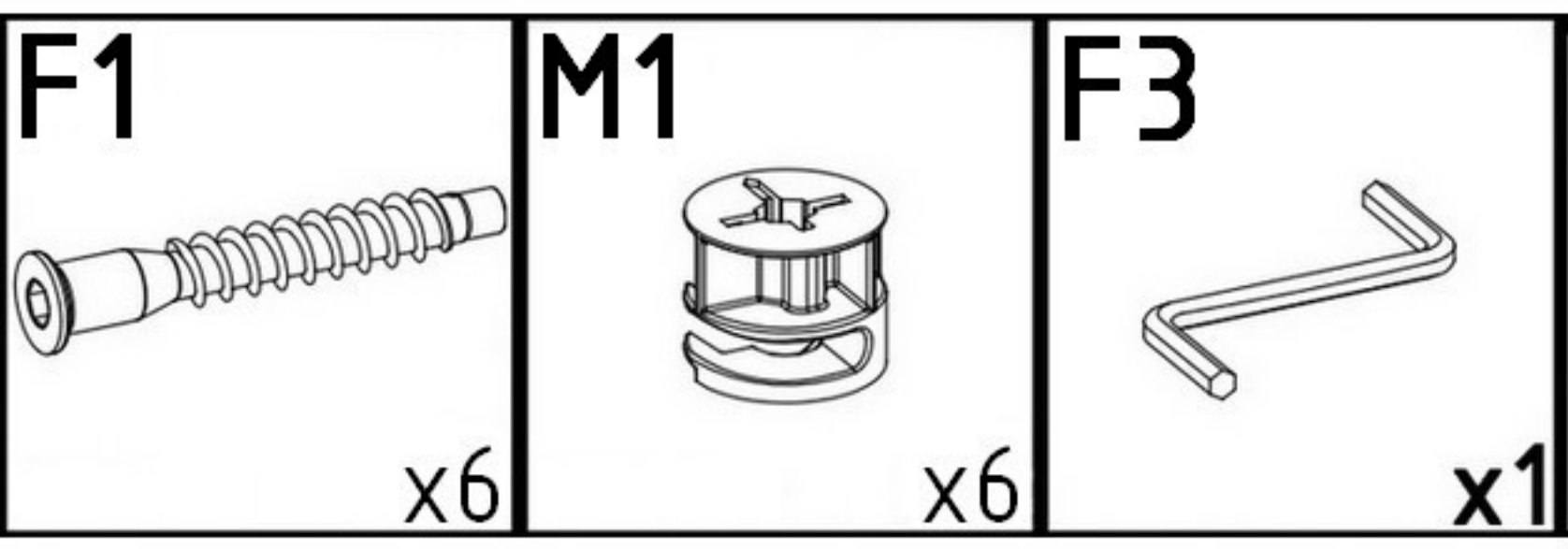




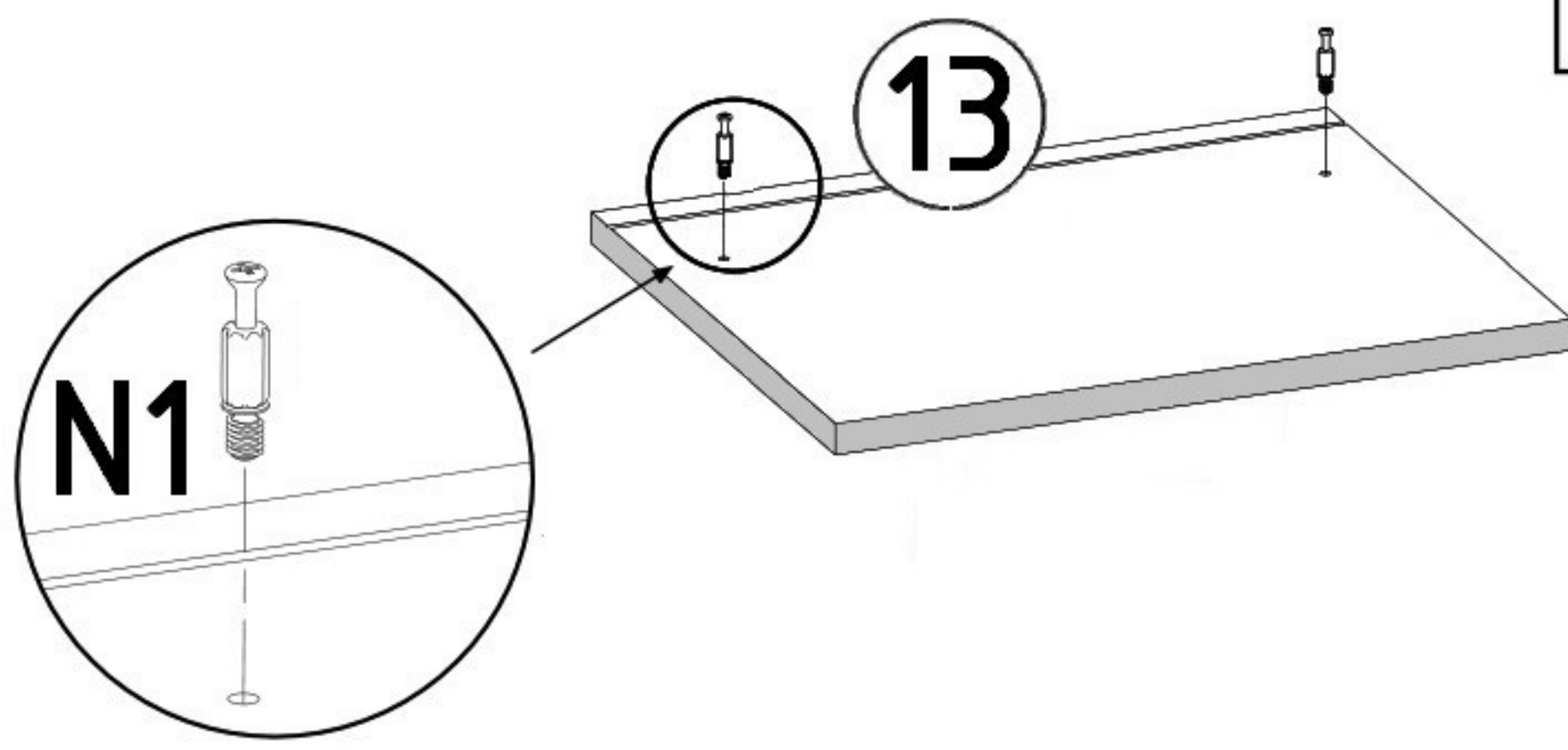
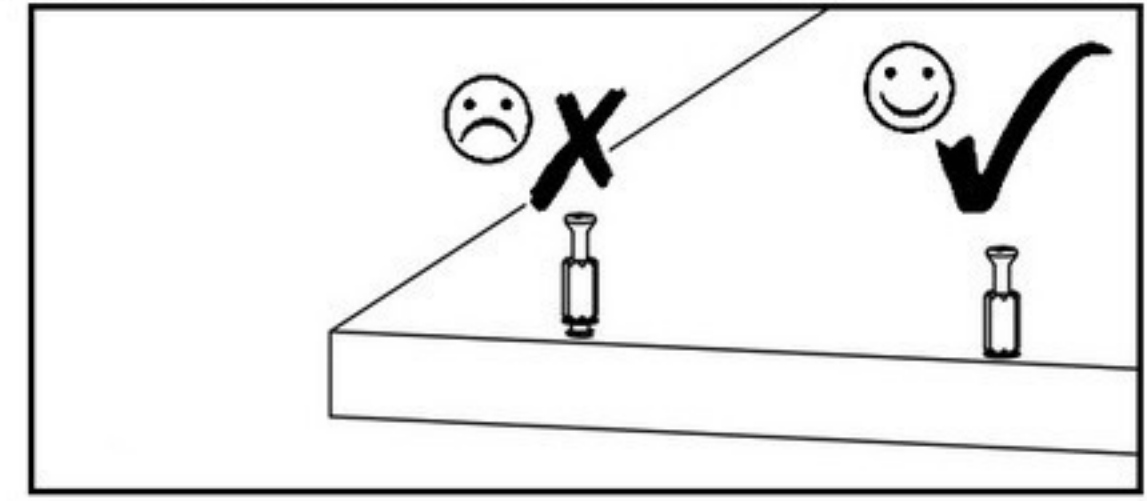
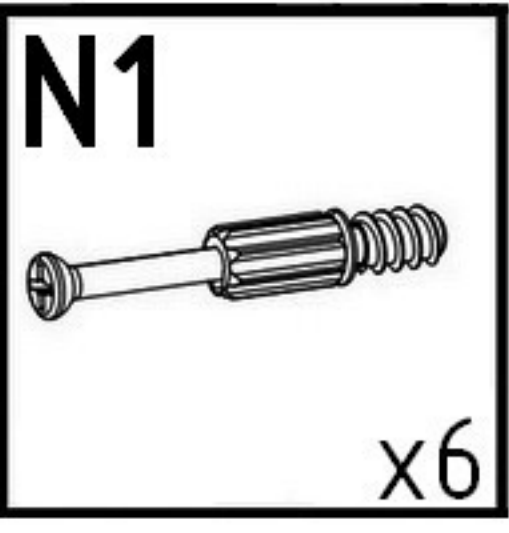


<p>Z1</p> <p>x35</p>	<p>V15</p> <p>x5</p>	<p>S6</p> <p>2,5x20 mm x5</p>
-----------------------------	-----------------------------	--------------------------------------

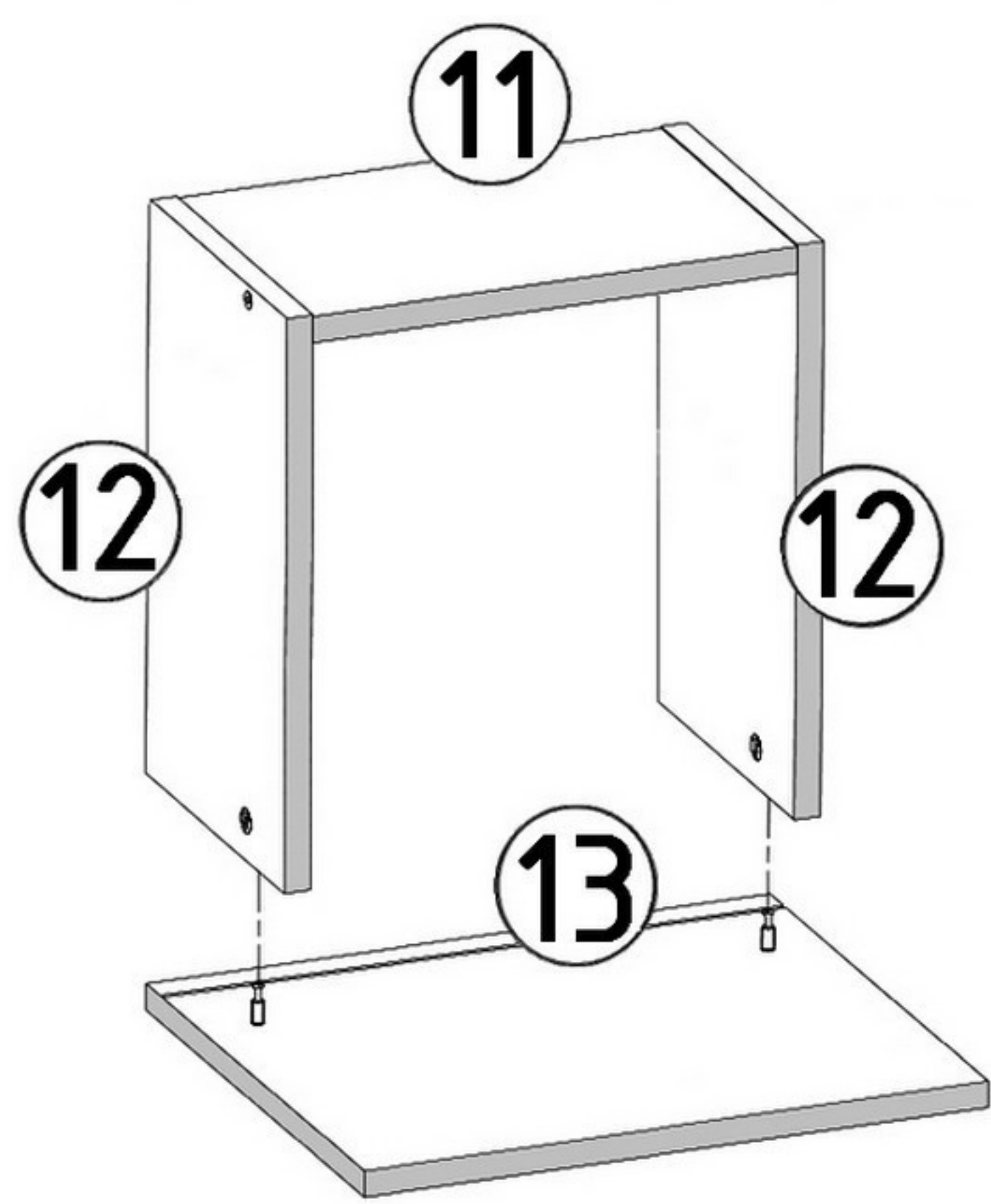
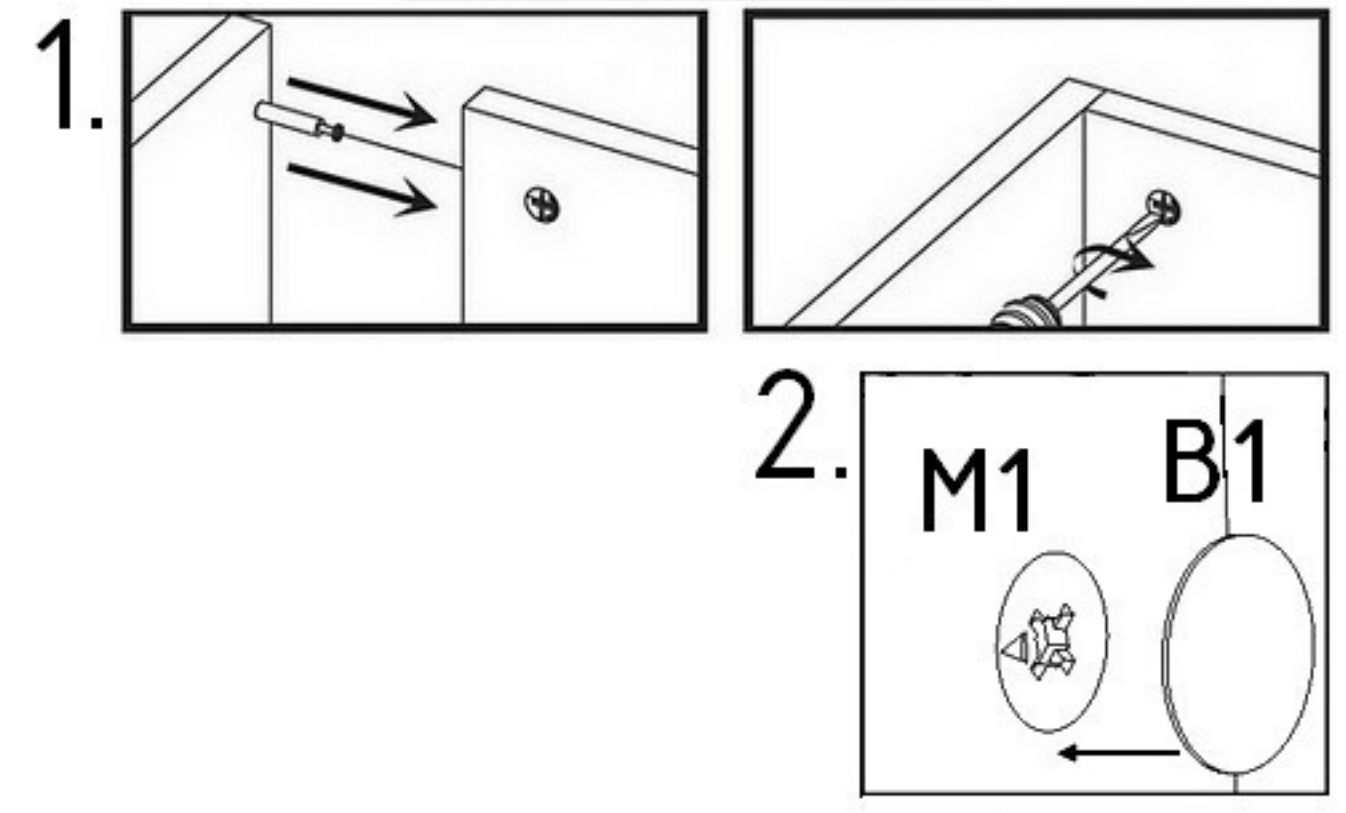
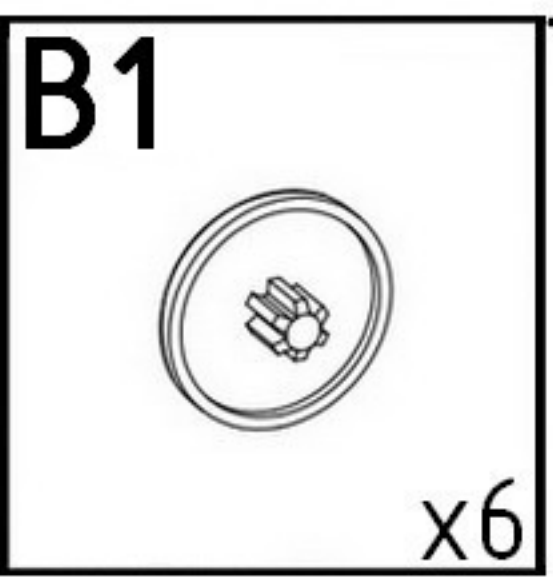




x3




x3

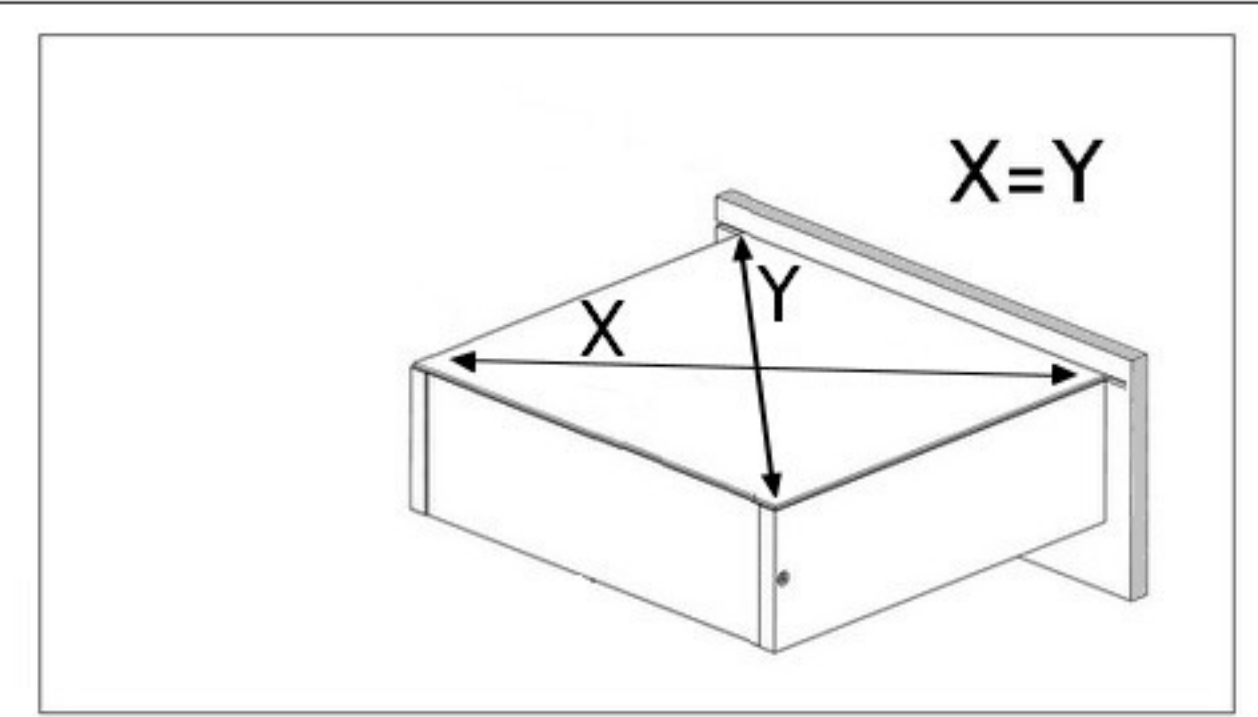
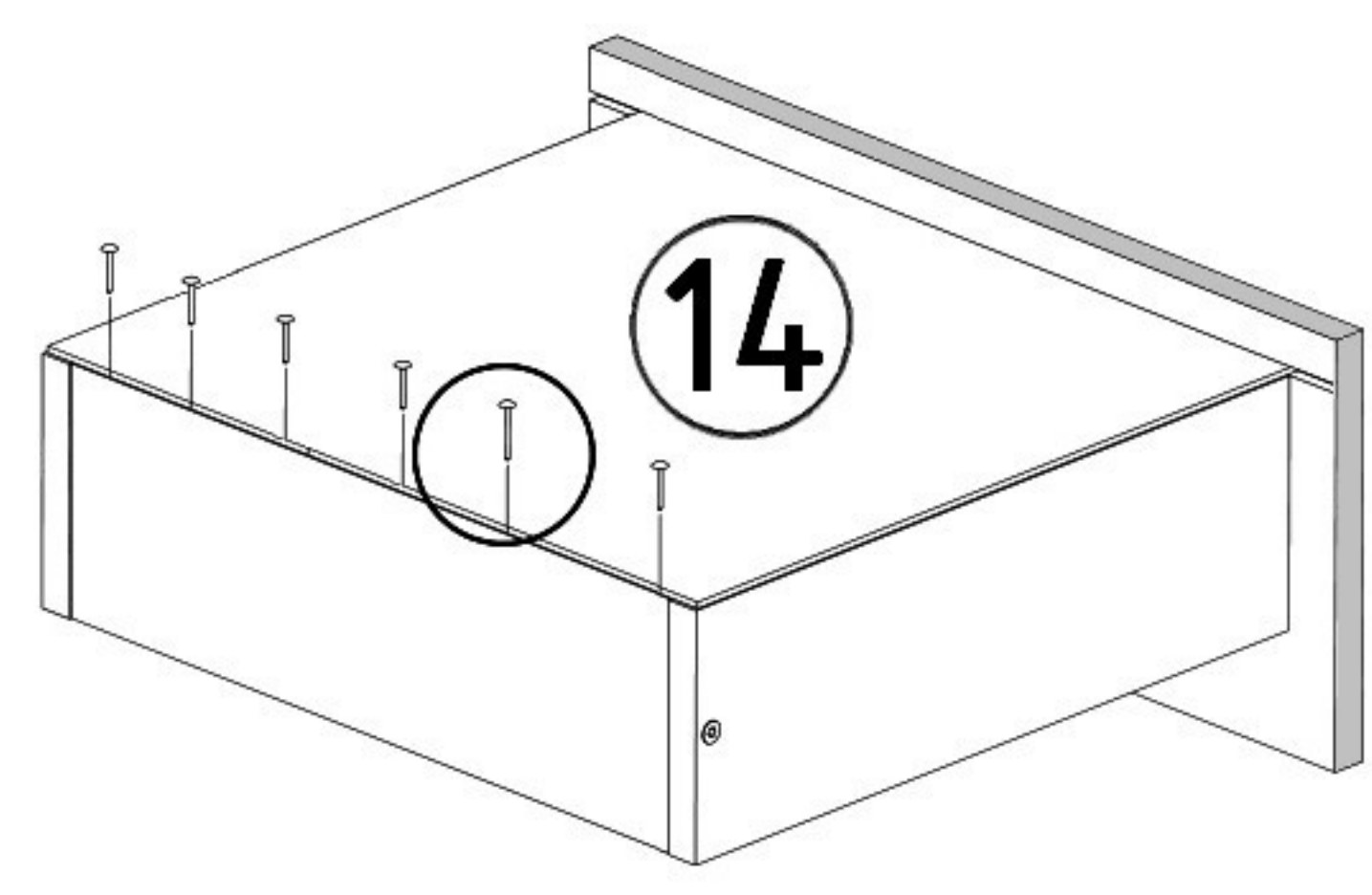
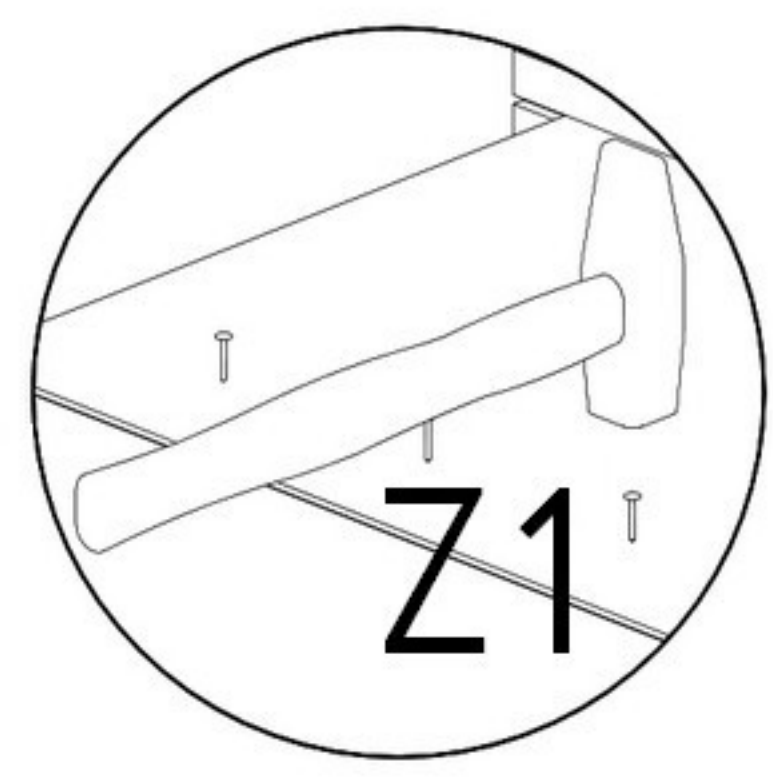


x3

Z1

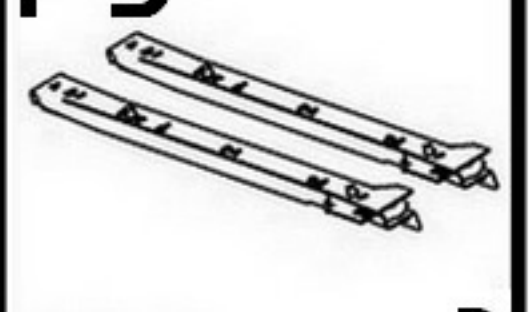


x15




x3

P3

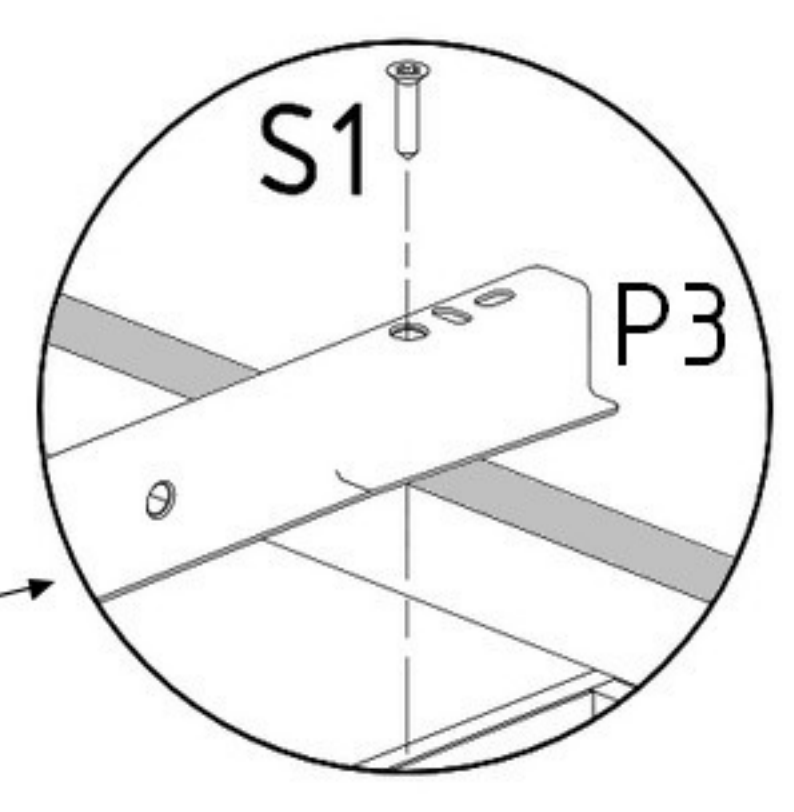
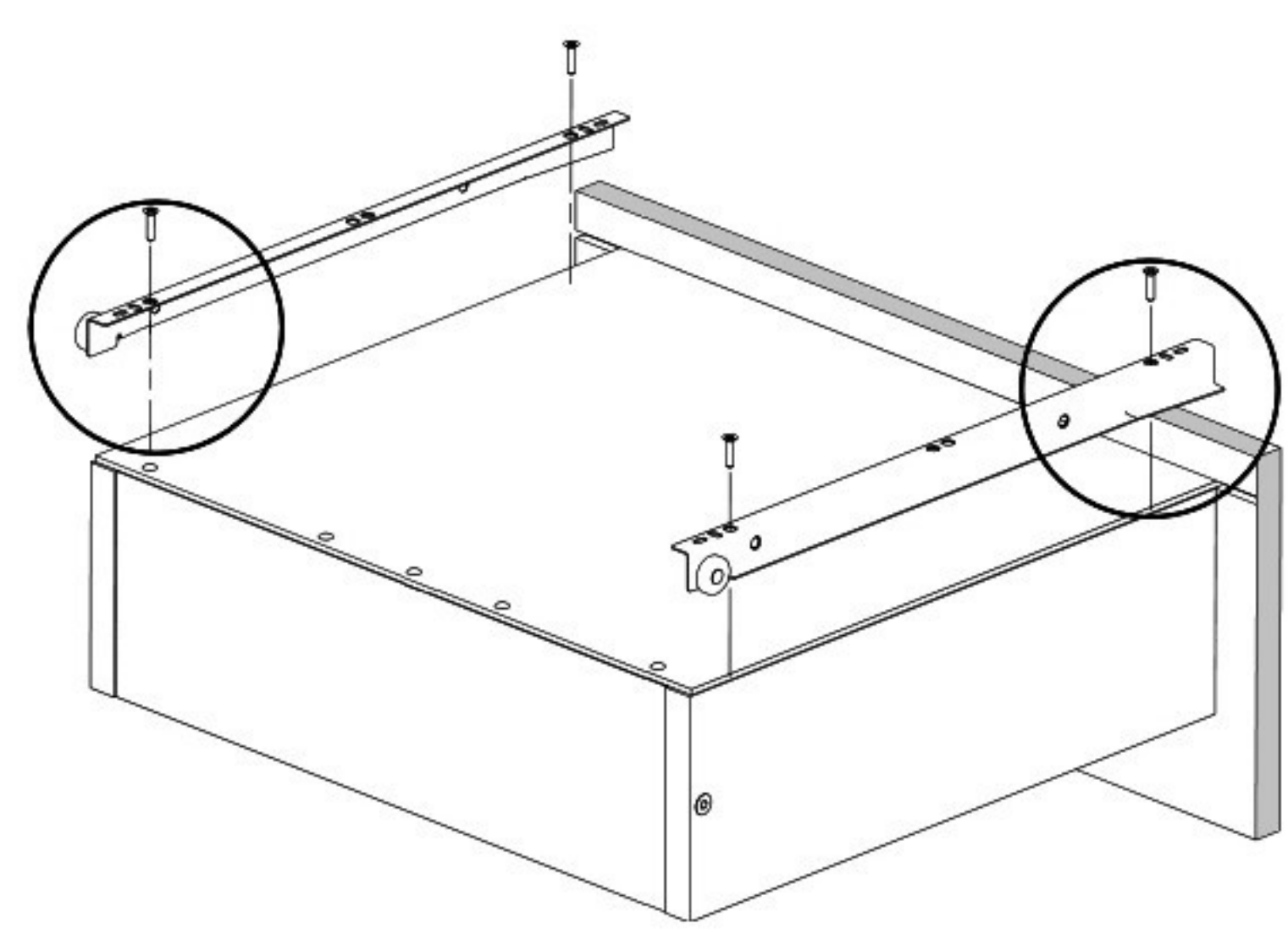


L=350mm x3

S1




3,5x16mm x12



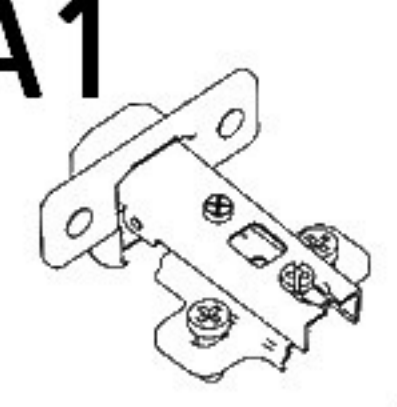
x3

S1



3,5x16mm x4

A1



ZP x2

