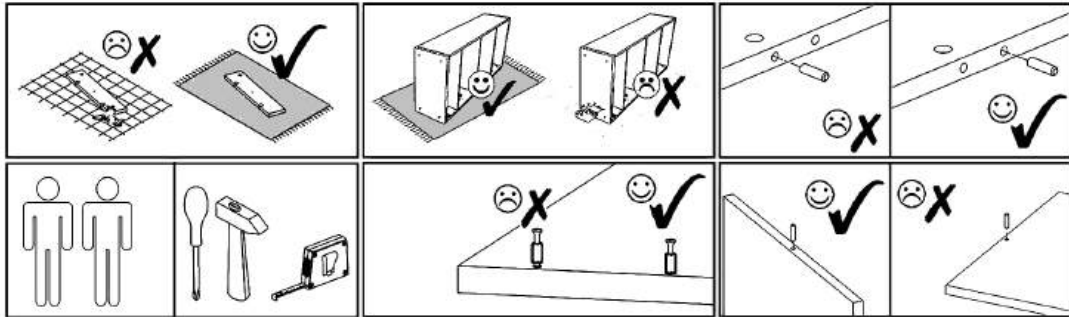
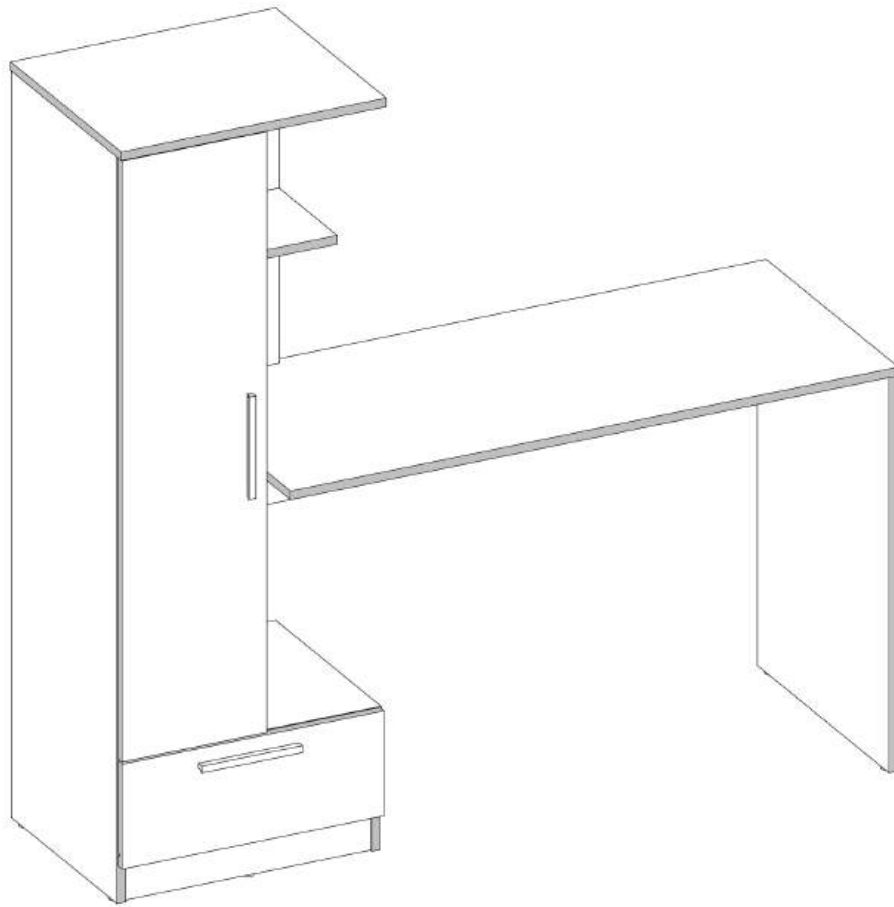























# COSMO

PRODUCTION DATE

PACKING CODE

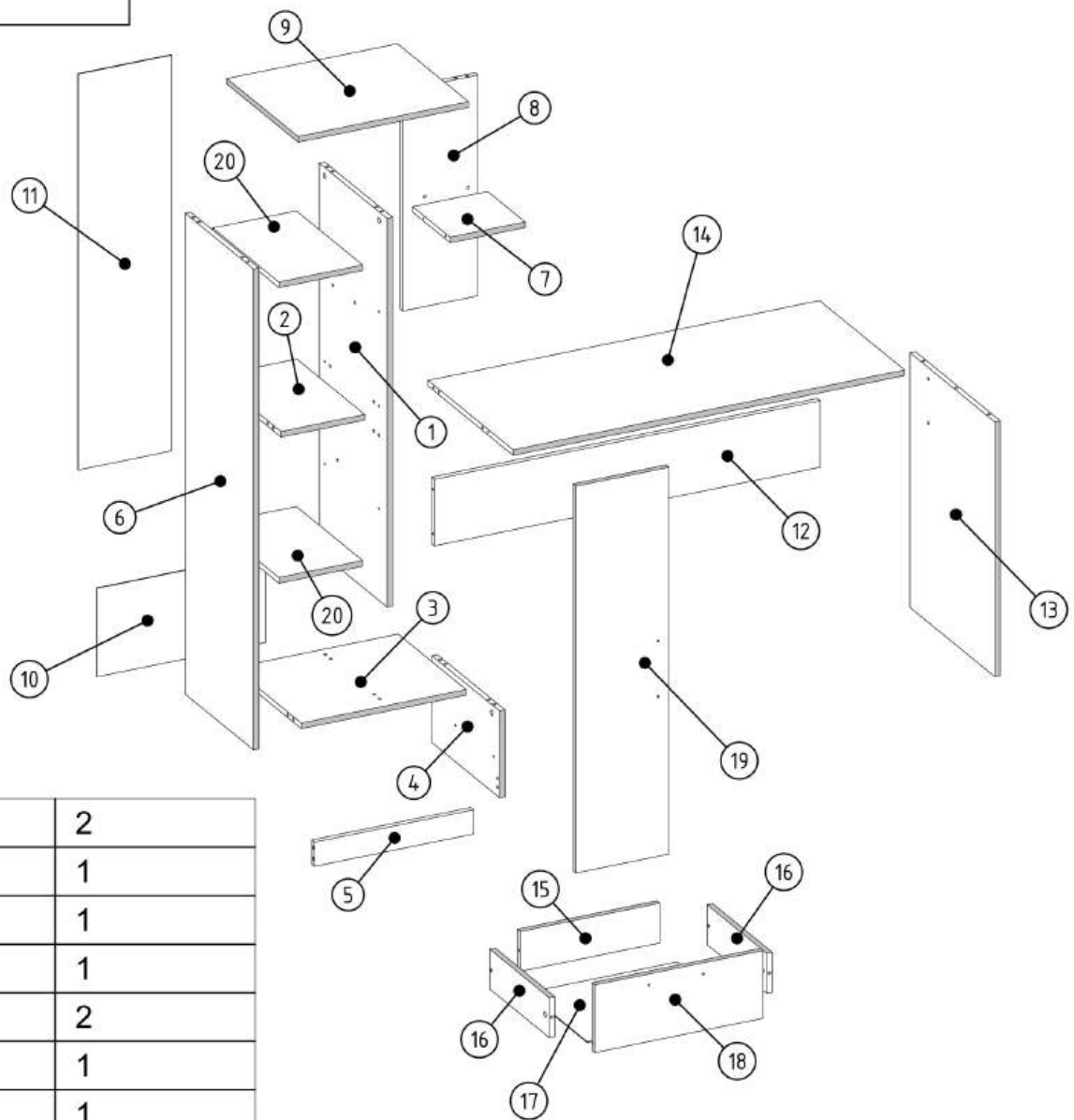


<b>B2</b>  K ø12/4mm x2	<b>U3</b>  CZ L=190/160 x2	<b>V13</b>  x1	<b>V15</b>  x3	<b>V12</b>  x1			
<b>S1</b>  3,5x16mm x8	<b>T1</b>  x7	<b>P3</b>  L=350mm x1	<b>Z1</b>  x50	<b>V16</b>  5x16mm x8	<b>B1</b>  B ø17/4mm x2	<b>B2</b>  B ø12/4mm x2	<b>B2</b>  S-A ø12/4mm x2
<b>M1</b>  12x15mm x16	<b>E1</b>  8x30mm x25	<b>R1</b>  6x8mm x4	<b>F1</b>  7x50mm x14	<b>F3</b>  Hex 4mm x1	<b>A1</b>  ZP x2	<b>N1</b>  L=35mm x16	<b>R7</b>  4x27mm x4





## COSMO

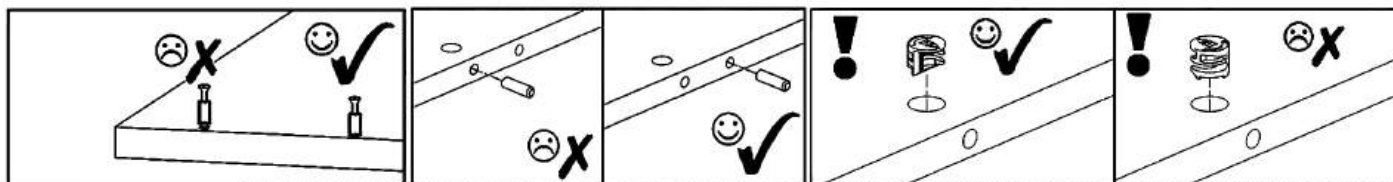
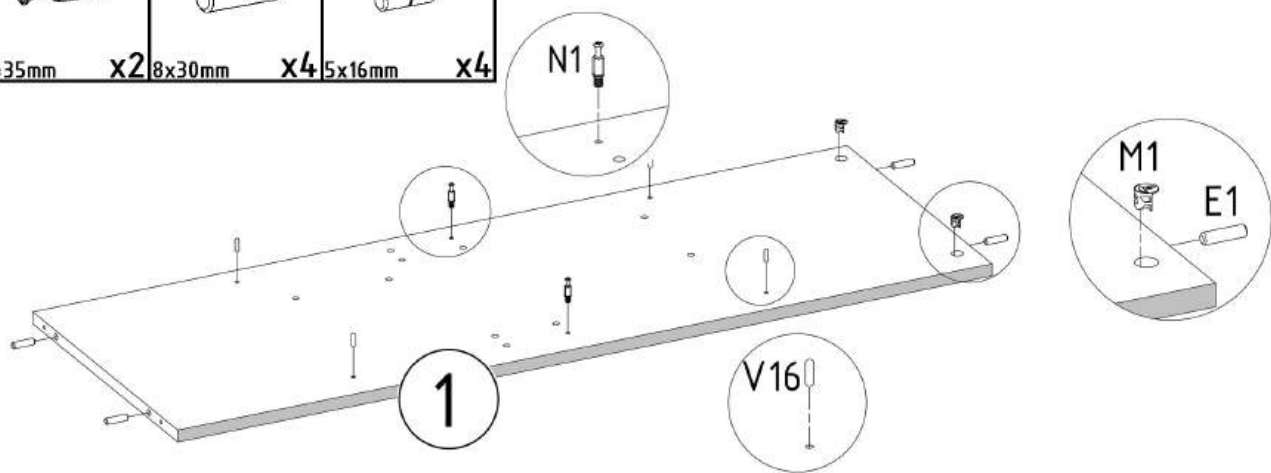
PRODUCTION DATE



PACKING CODE

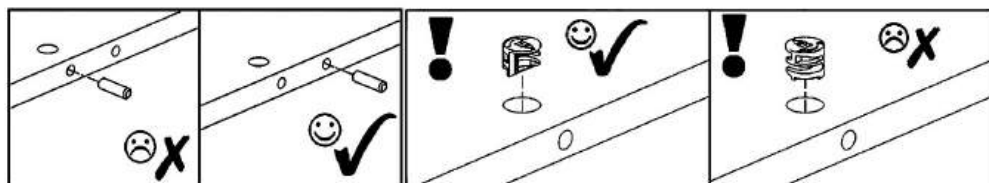
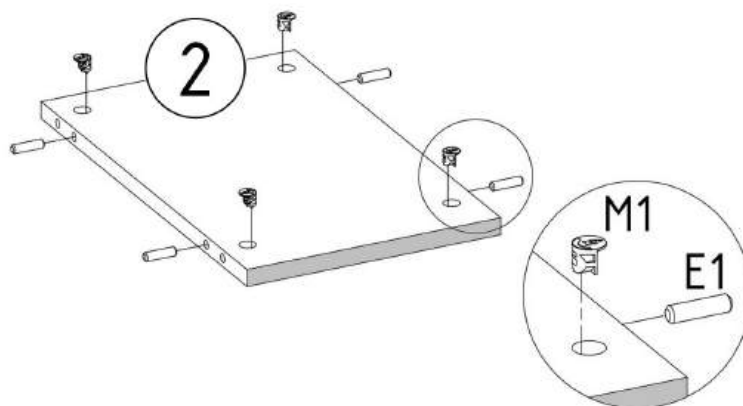





001626	20	2
001633	19	1
001632	18	1
001620	17	1
000053	16	2
001619	15	1
001637	14	1
001628	13	1
001629	12	1
001631	11	1
001630	10	1
001623	9	1
001627	8	1
001622	7	1
001636	6	1
001634	5	1
001635	4	1
001624	3	1
001621	2	1
001625	1	1
ID	NUMBER	QUANTITY

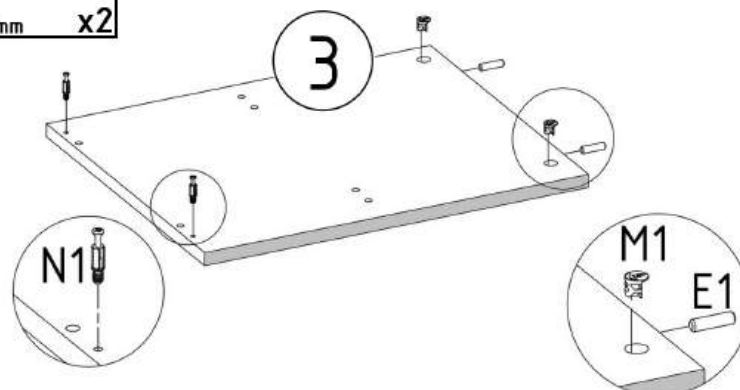
<b>M1</b>  12x15mm x2	<b>N1</b>  L=35mm x2	<b>E1</b>  8x30mm x2	<b>V16</b>  5x16mm x4
---	--	--	---

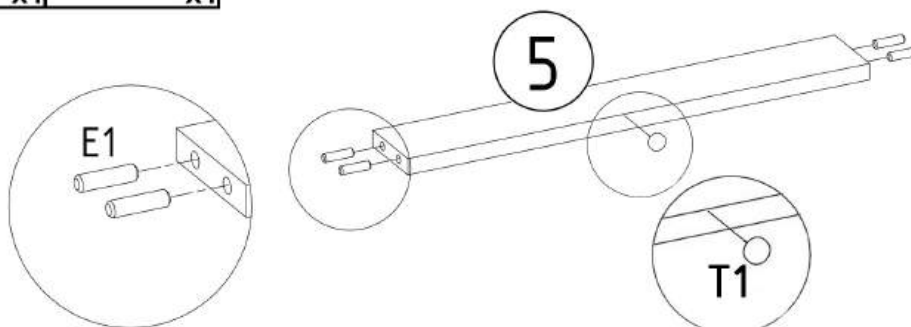
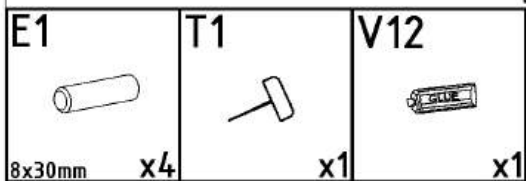
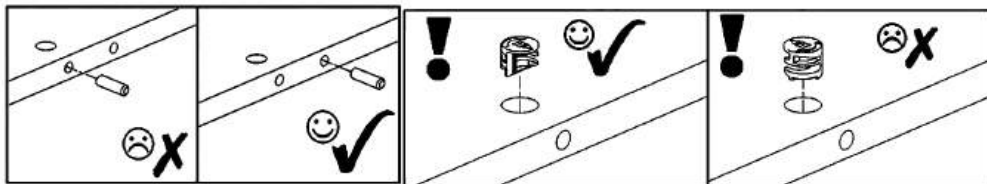
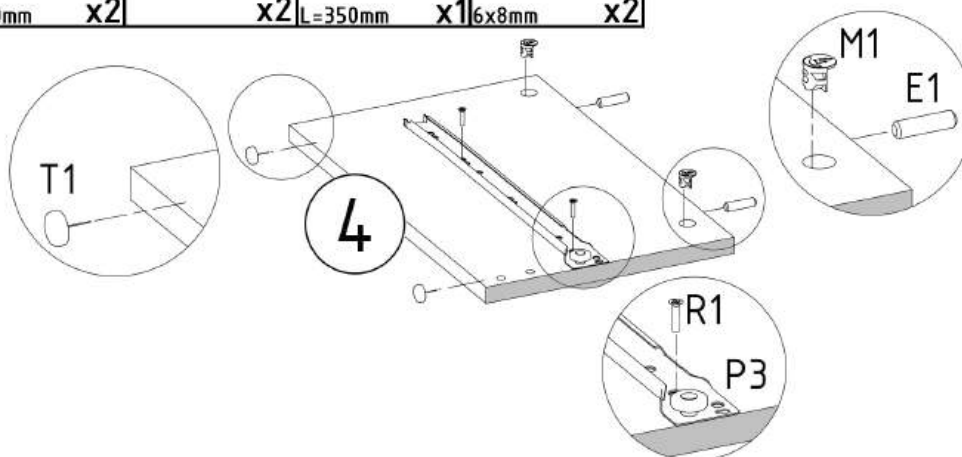
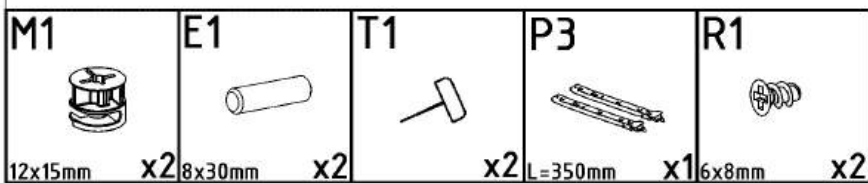
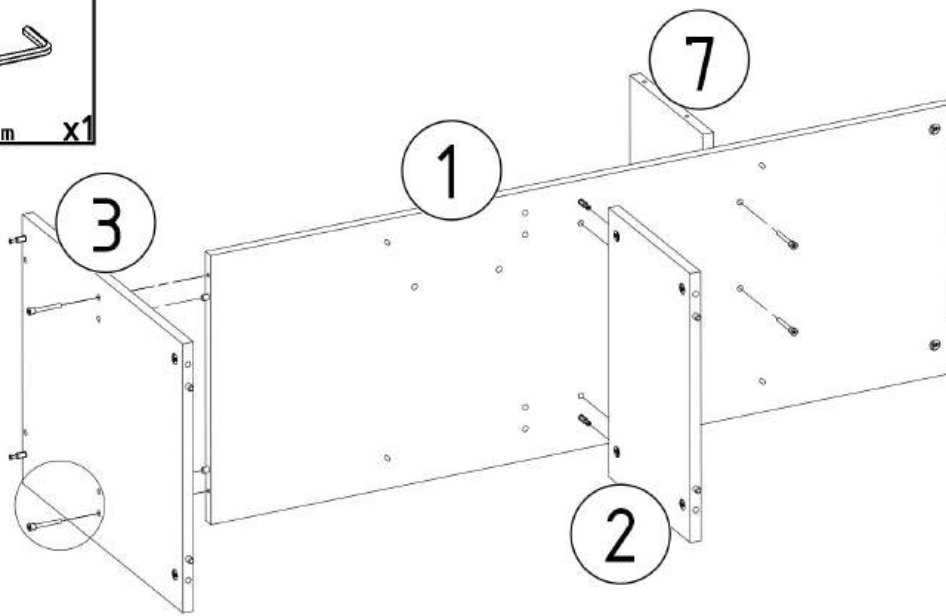
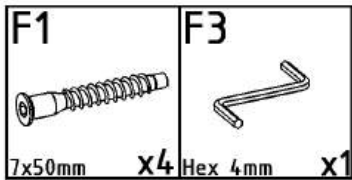


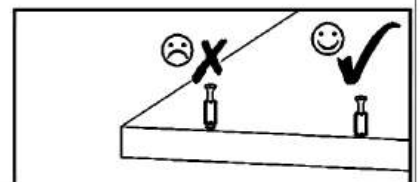
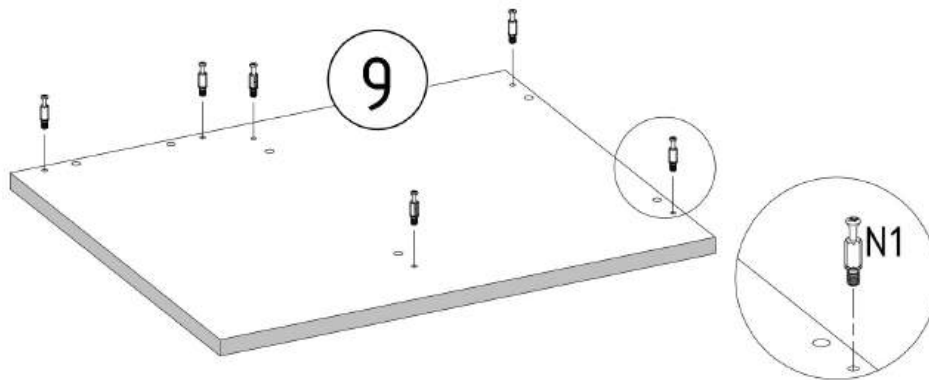
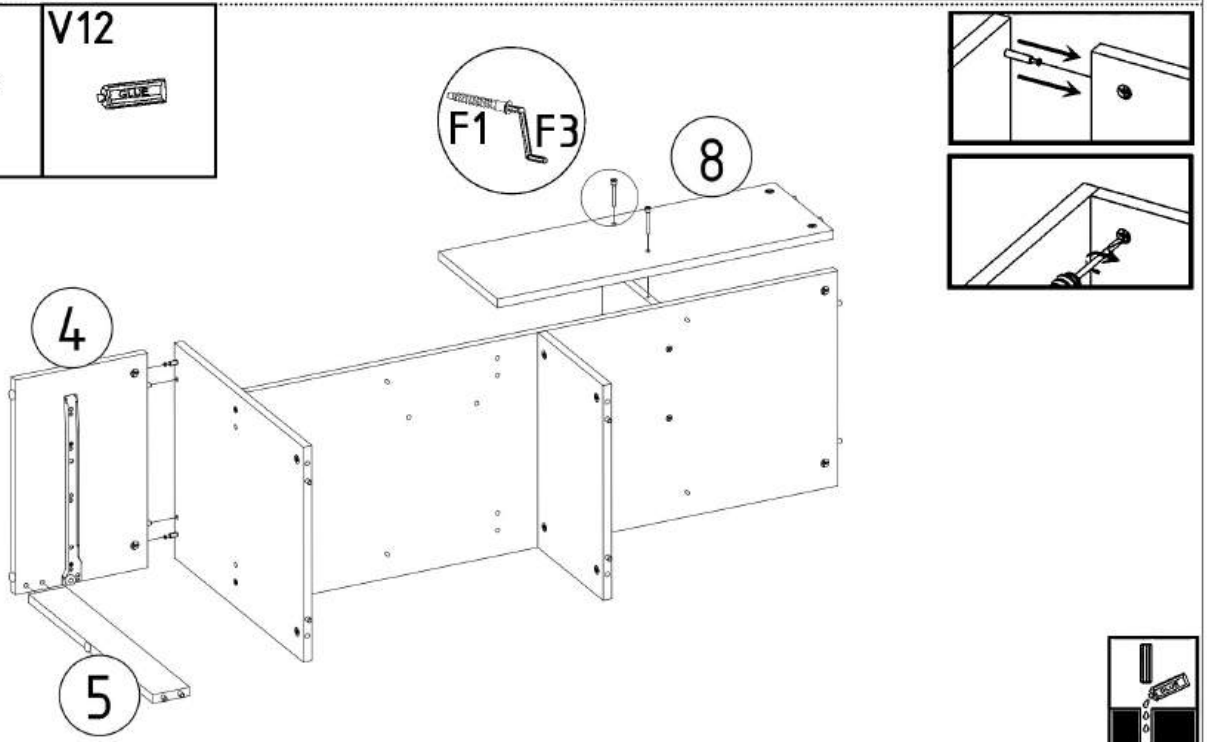
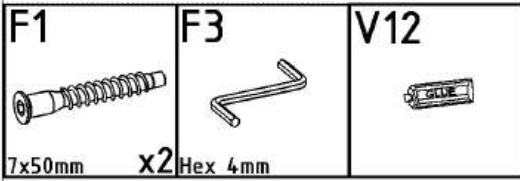
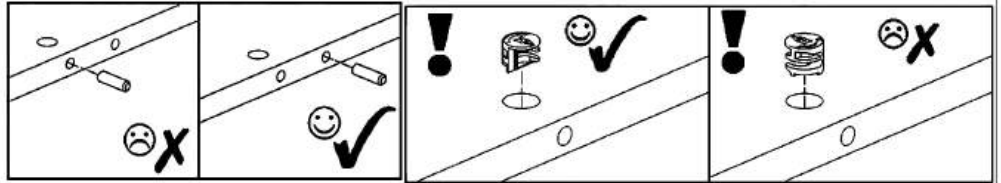
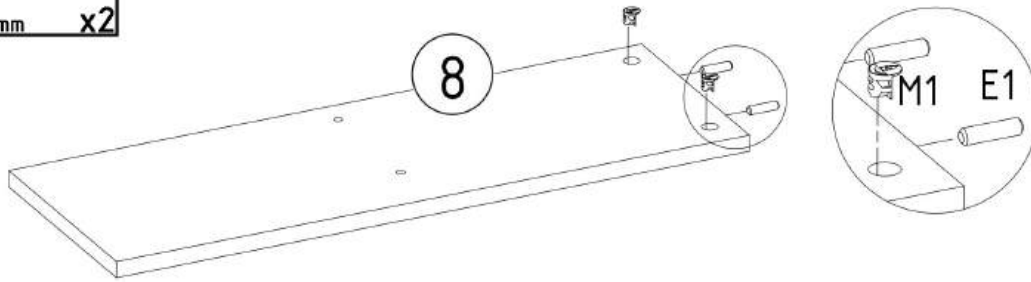
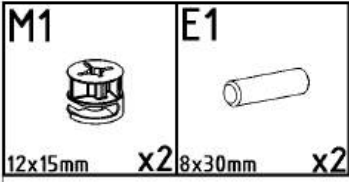
<b>M1</b>  12x15mm x4	<b>E1</b>  8x30mm x4
--	---


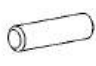


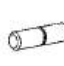




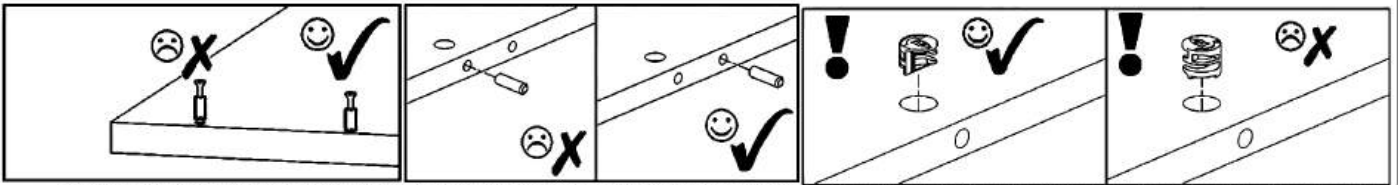
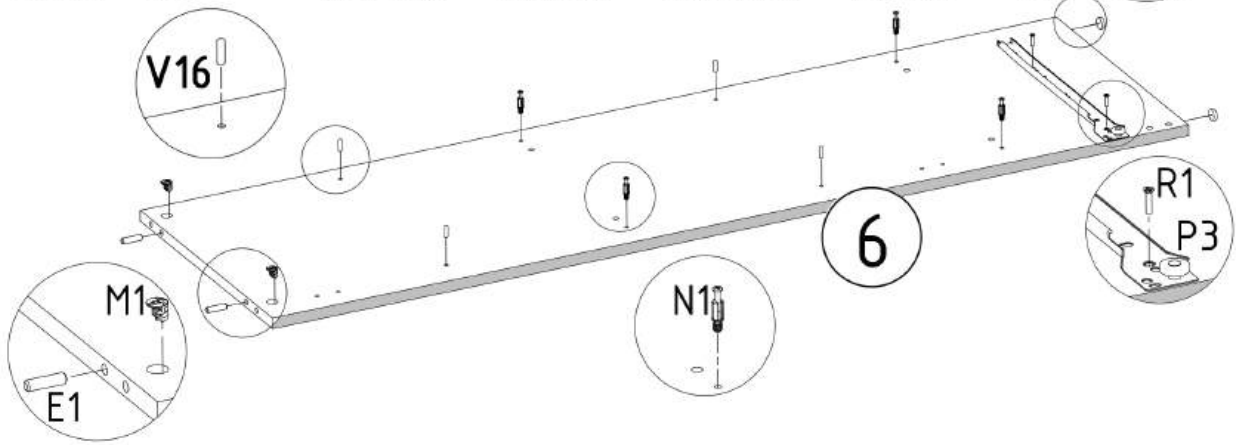
<b>M1</b>  12x15mm x2	<b>N1</b>  L=35mm x2	<b>E1</b>  8x30mm x2
--	---	---



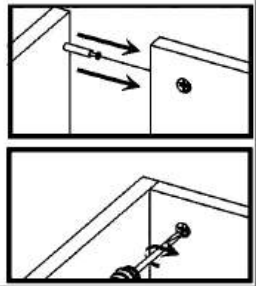
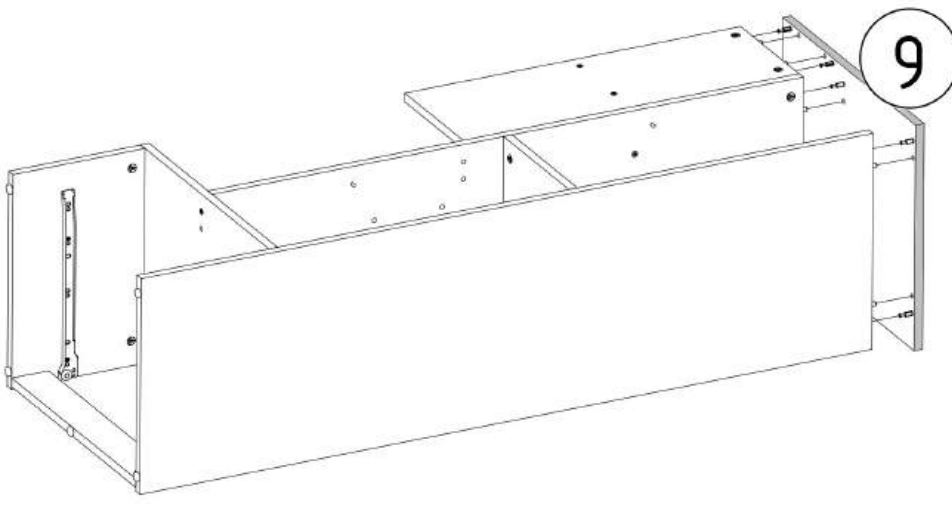
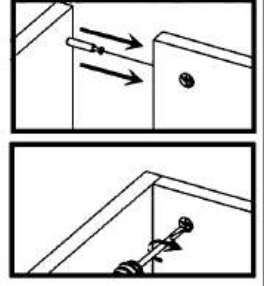
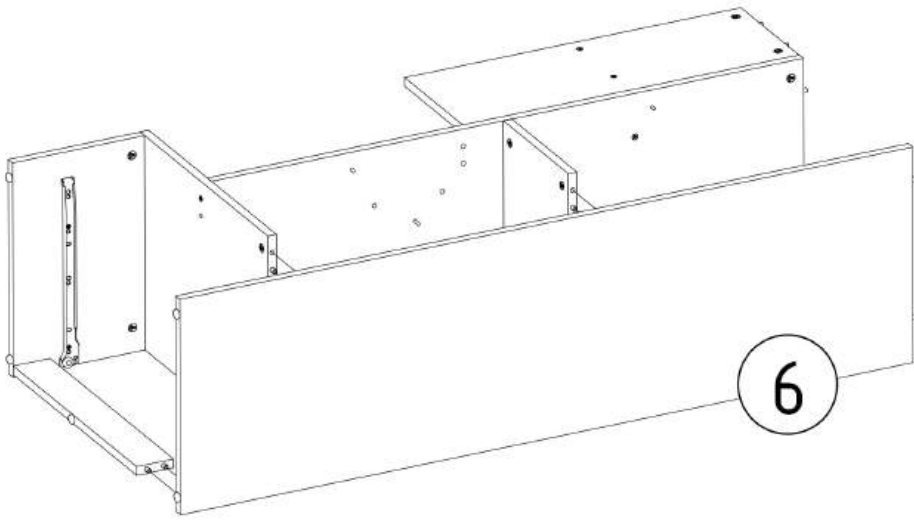


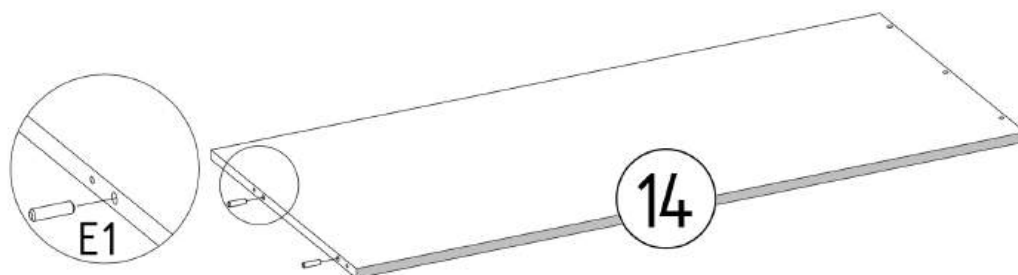
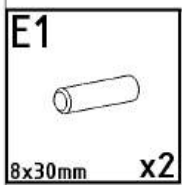
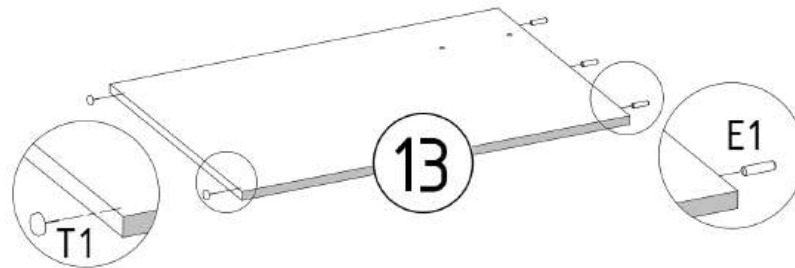
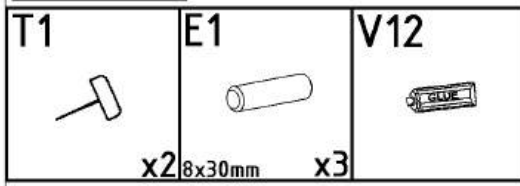
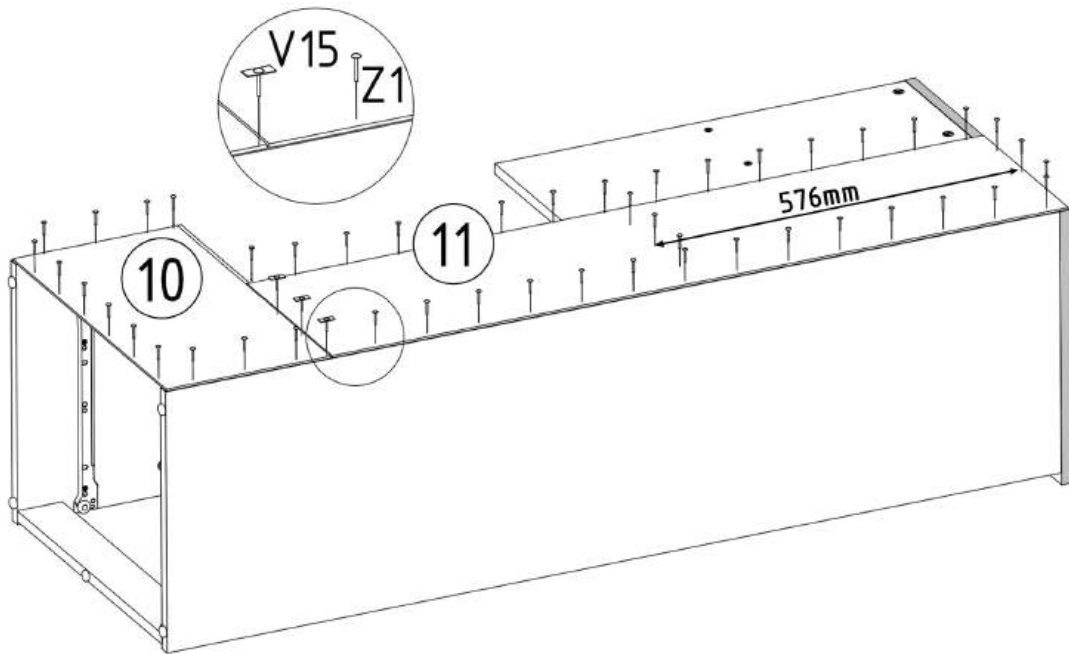
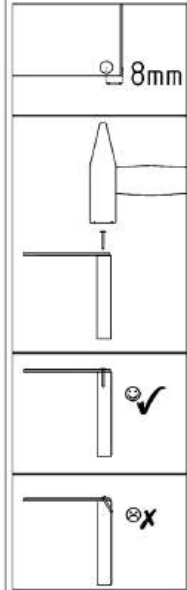
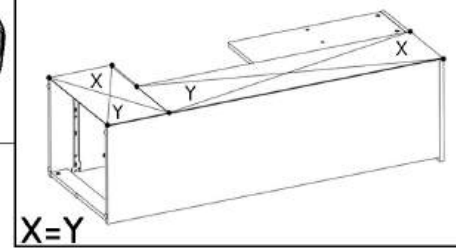
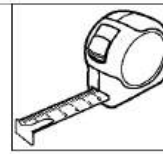
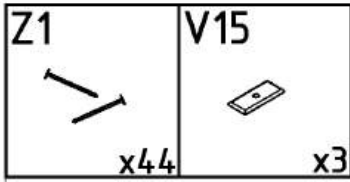


<b>M1</b>  12x15mm X2	<b>E1</b>  8x30mm X2	<b>T1</b>  X2	<b>N1</b>  L=35mm X4	<b>V16</b>  5x16mm X4	<b>P3</b>  L=350mm X4	<b>R1</b>  6x8mm X2
---	--	---	--	---	--	---



**V12**  

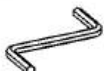


F1

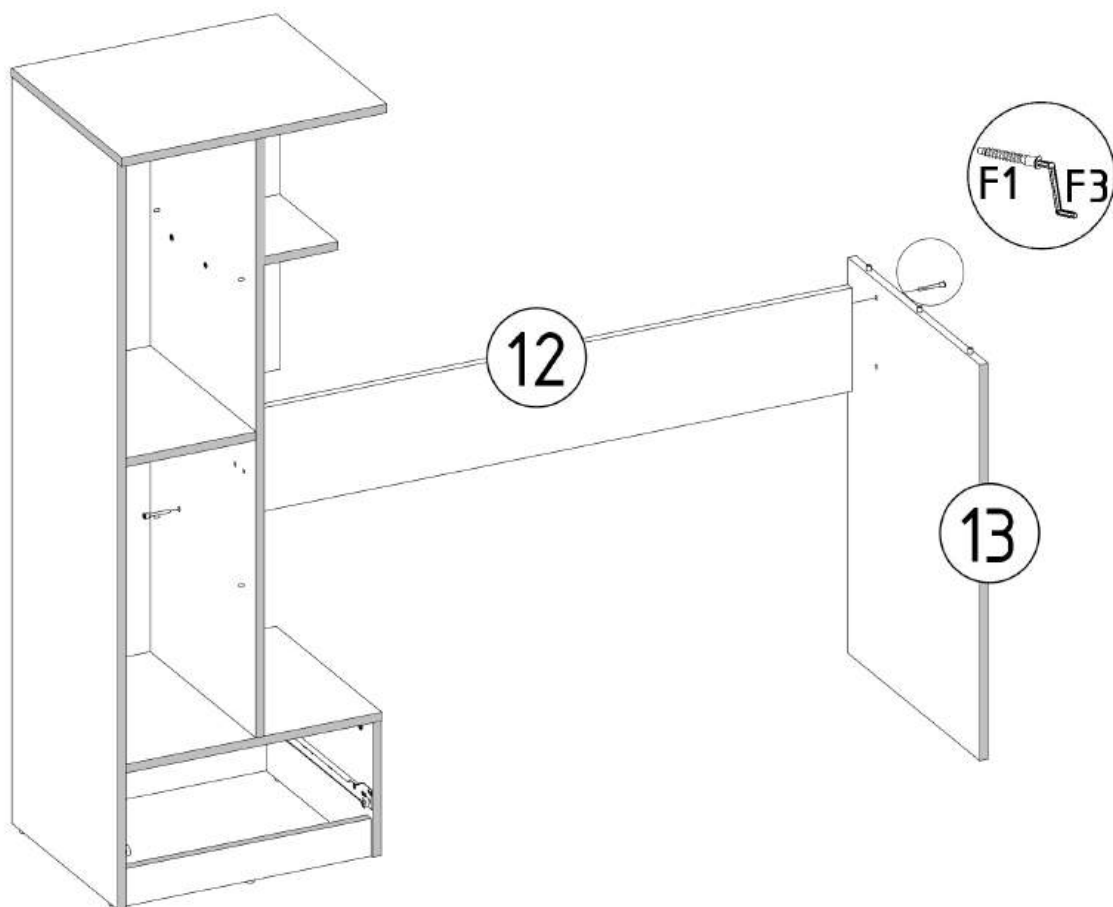


7x50mm

F3



X4 Hex 4mm



F1



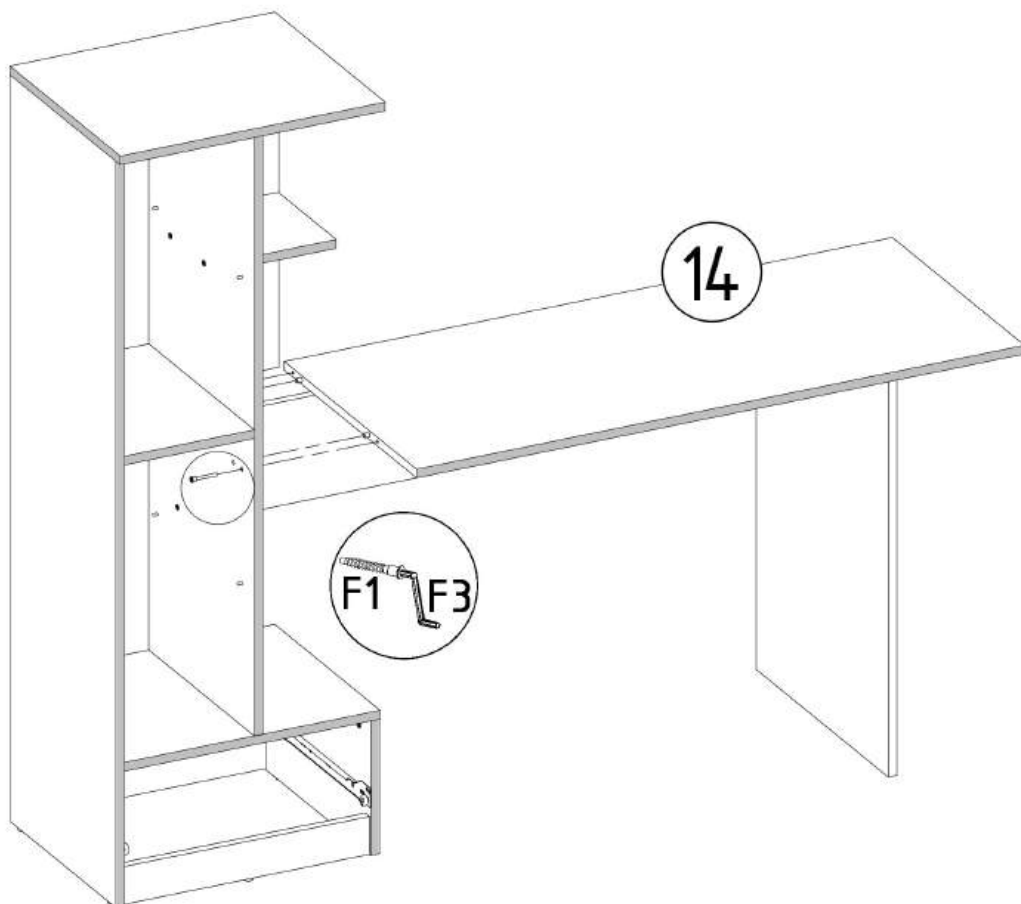
7x50mm

F3



X2 Hex 4mm

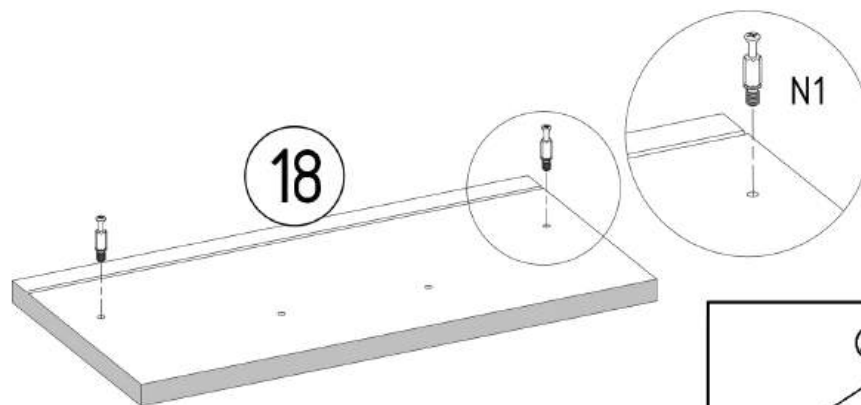
V12



N1



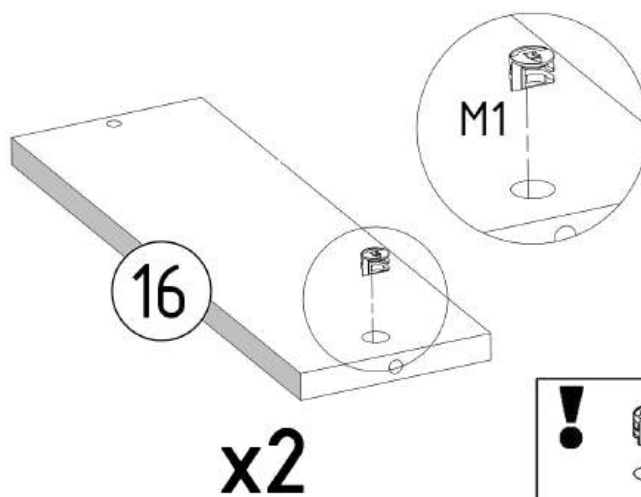
L=35mm x2



M1



12x15mm x2



F1

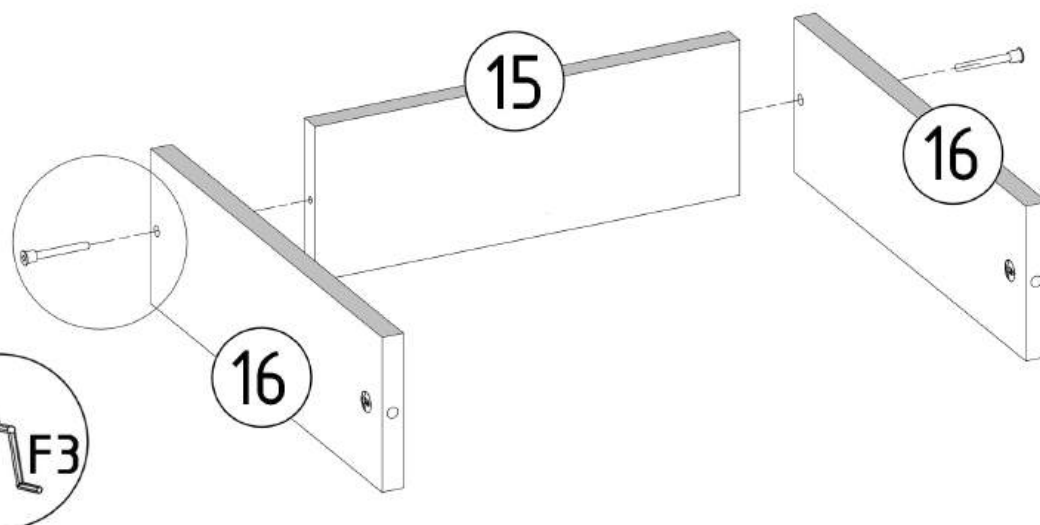


7x50mm x2


F3



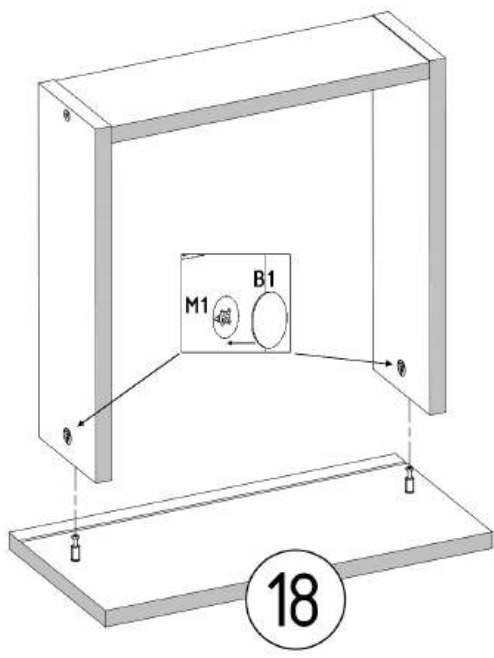
Hex 4mm



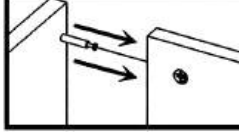
**B1**



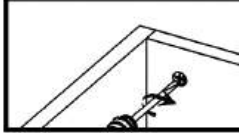
ø17/4mm x2



1.




2.

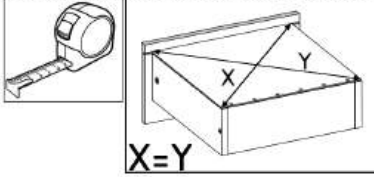


M1 B1

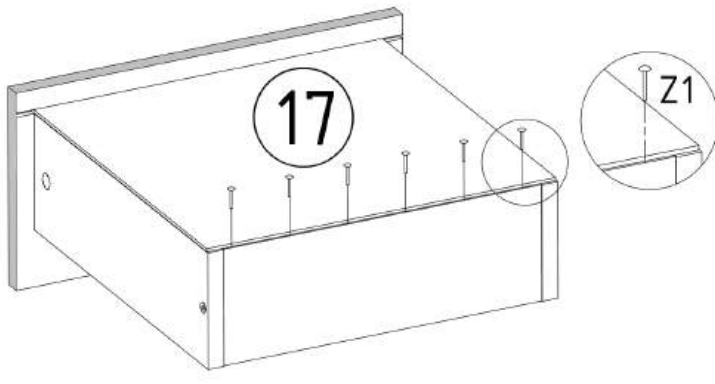

**Z1**



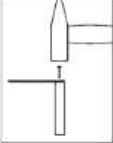


x6




X=Y

8mm






**S1**

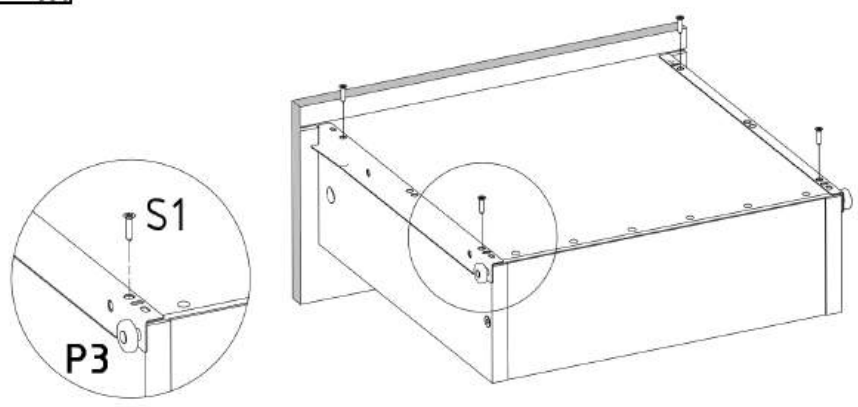




3,5x16mm x4

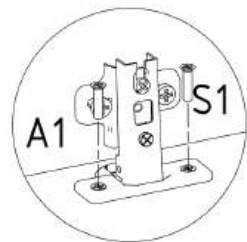
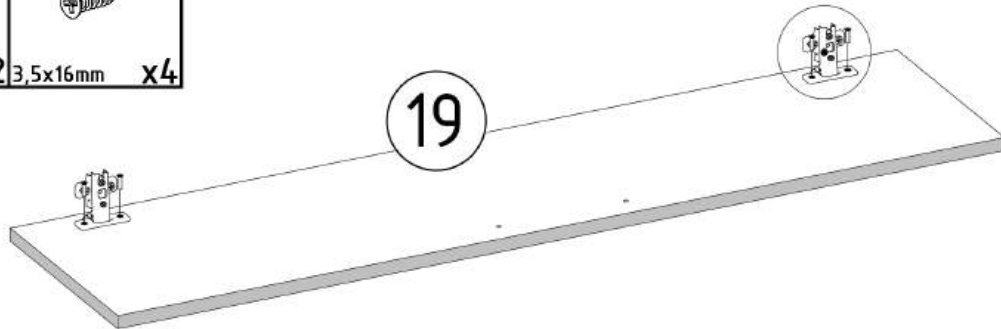
**P3**






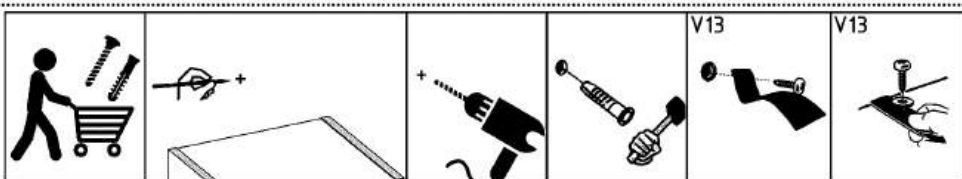
L=350mm x1



<p><b>A1</b></p>  <p>ZP</p>	<p><b>S1</b></p>  <p>x2 3,5x16mm x4</p>
--	--



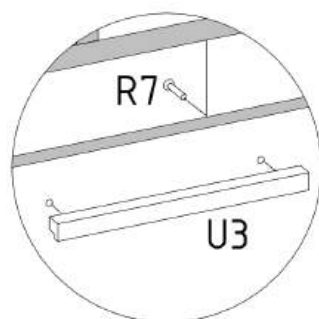
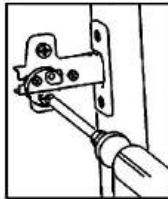
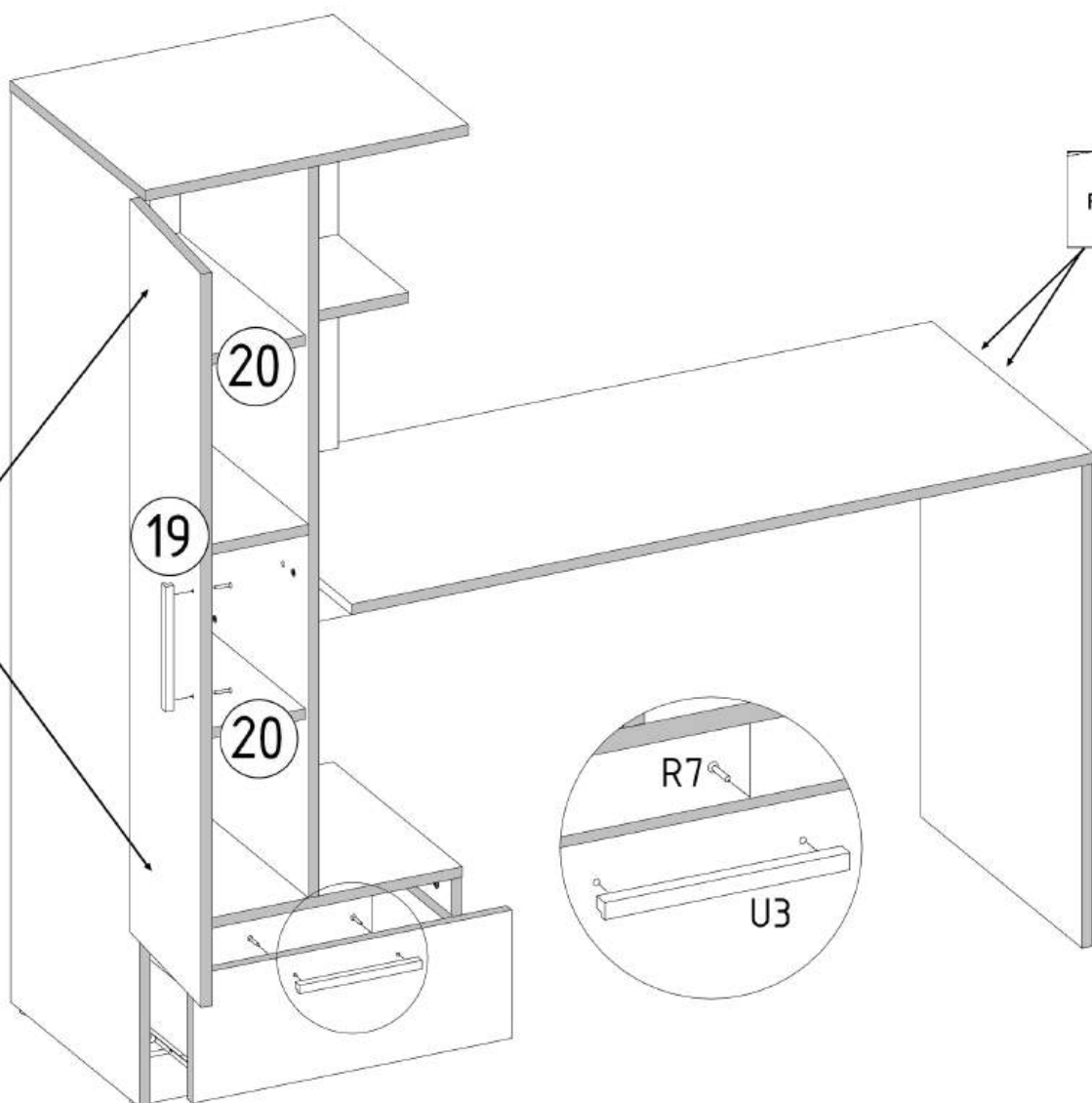
<p><b>U3</b></p>  <p>L=190mm x2</p>	<p><b>R7</b></p>  <p>4x27mm x4</p>	<p><b>B2</b></p>  <p>ø12/4mm x2</p>
---	---	--



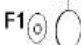
**V13**



x1



**B2**



F1

