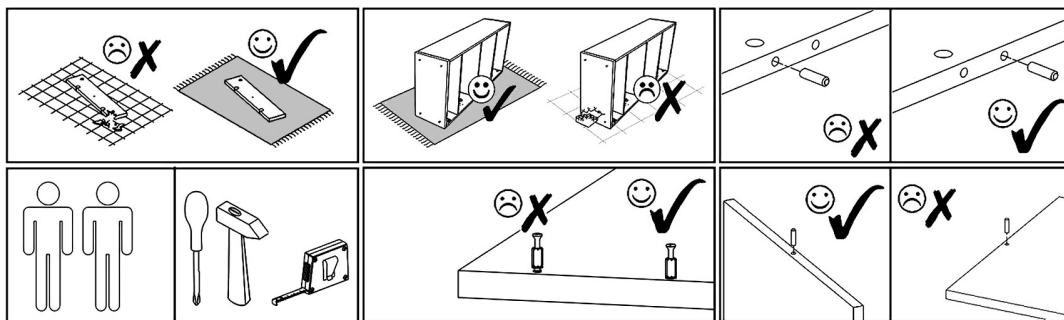
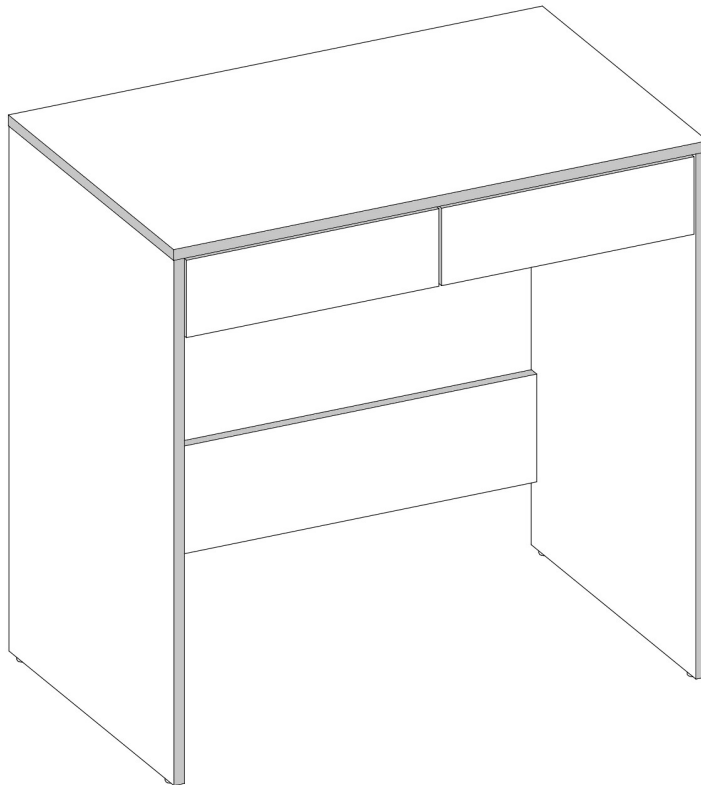






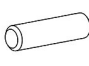



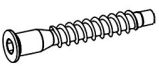
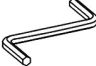


## MARINA

PRODUCTION DATE

PACKING CODE

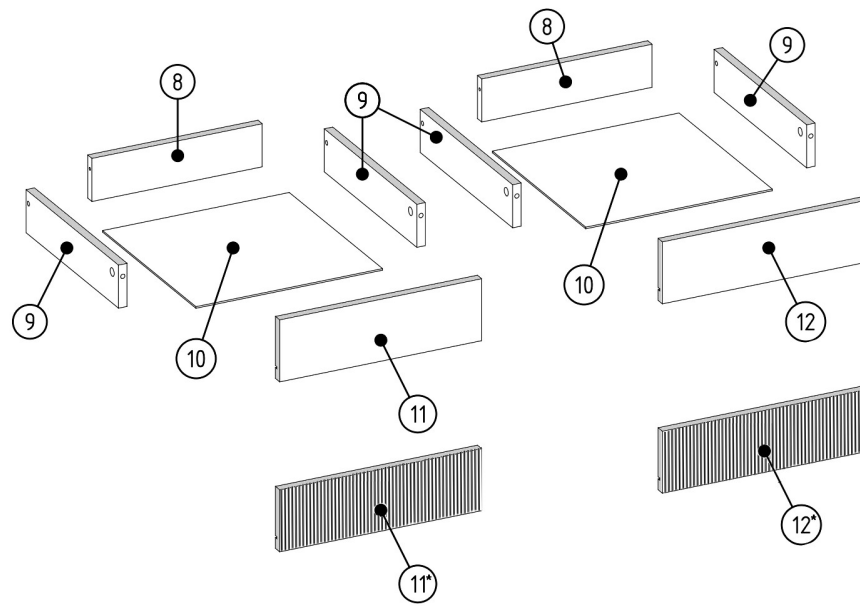
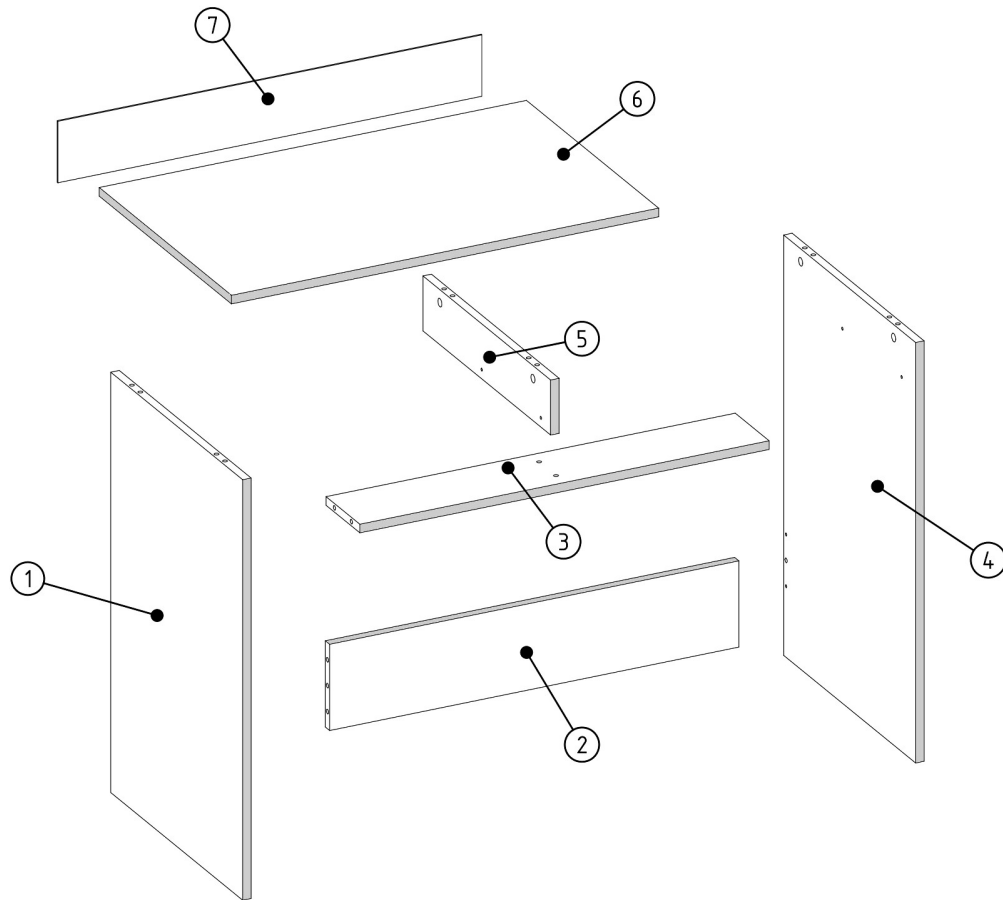


Z1  x40	S1  3,5x16mm x8	B1  ø17/4mm x4	S8  4x35mm x2				
N1  L=35mm x18	M1  12x15mm x18	E1  8x30mm x8	P3  L=350mm x2	R1  6x8mm x8	T1  x4	F1  7x50mm x4	F3  x1 IM240904







## MARINA

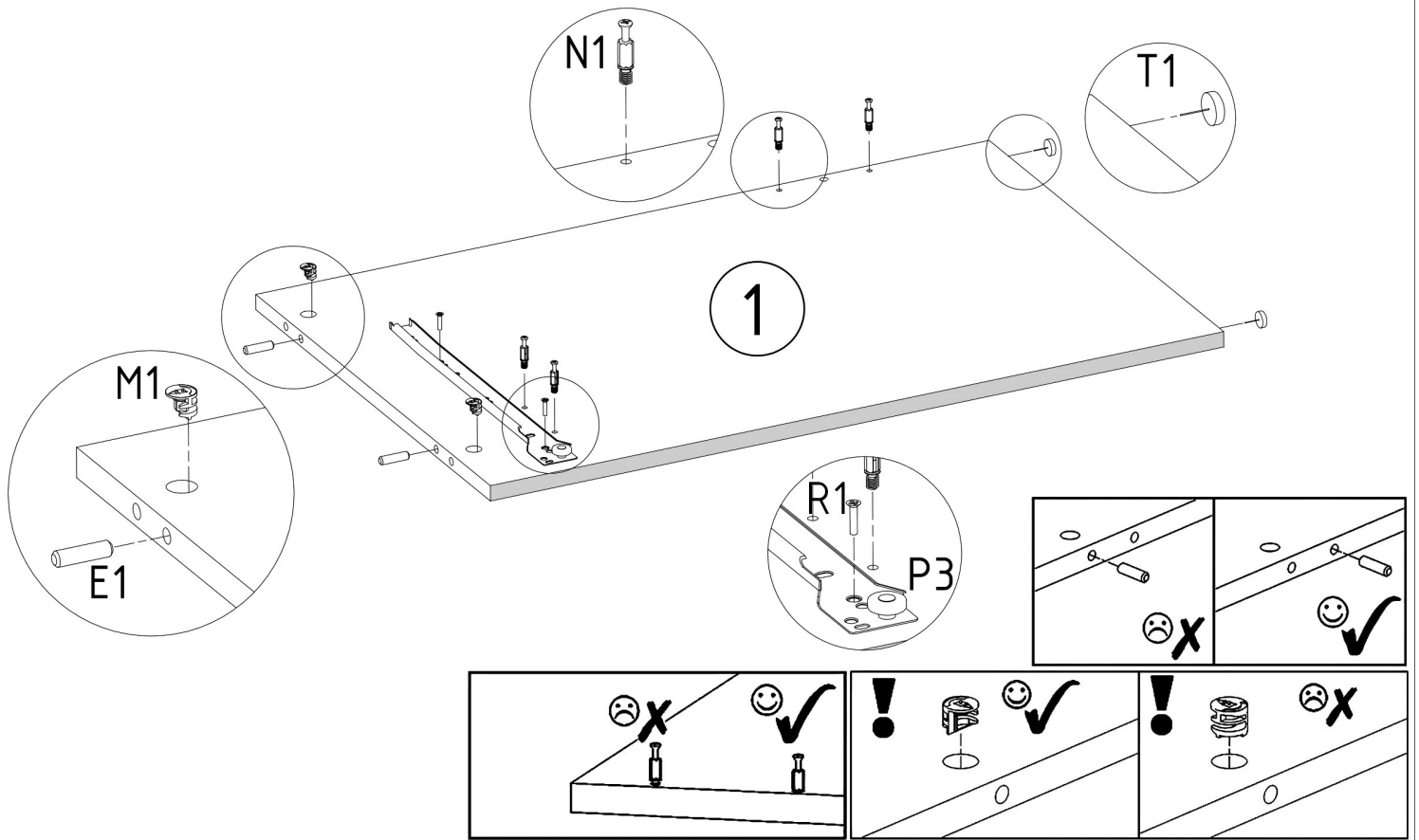
PRODUCTION DATE



PACKING CODE

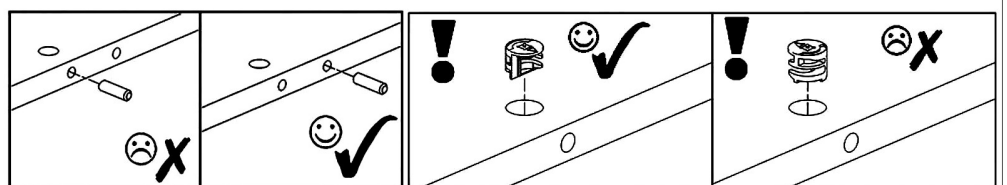
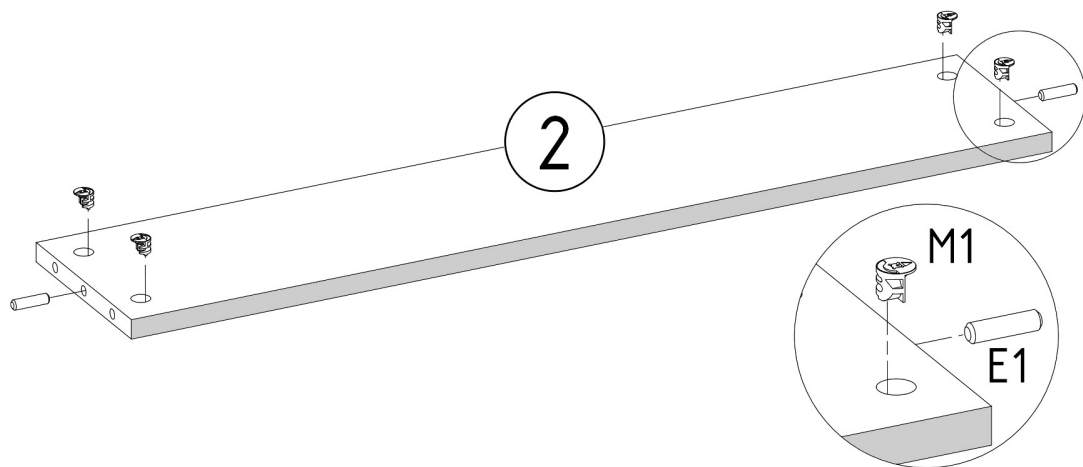


T02002	12*	1
T02003	11*	1
000406	12	1
000405	11	1
000408	10	2
000056	9	4
000412	8	2
000407	7	1
000413	6	1
000410	5	1
000404	4	1
000409	3	1
000411	2	1
000403	1	1
ID	NUMBER	QUANTITY

<b>N1</b>  L=35mm <b>x4</b>	<b>M1</b>  12x15mm <b>x4</b>	<b>E1</b>  8x30mm <b>x2</b>	<b>P3</b>  L=350mm <b>x2</b>	<b>R1</b>  6x8mm <b>x1</b>	<b>T1</b>  <b>x2</b>
---	---	--	---	---	--



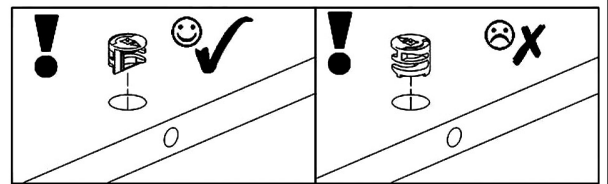
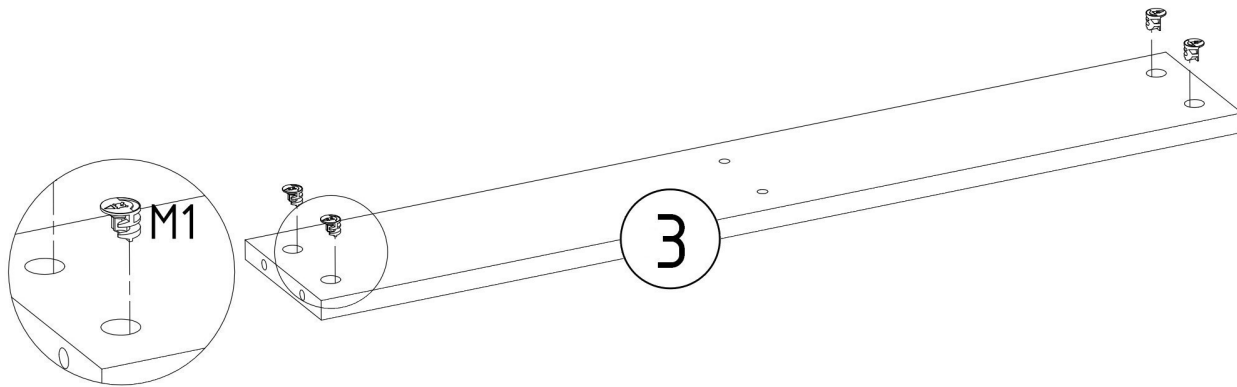
<b>M1</b>  12x15mm <b>x4</b>	<b>E1</b>  8x30mm <b>x2</b>
--	--



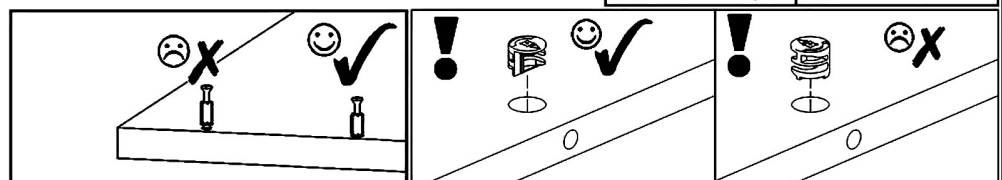
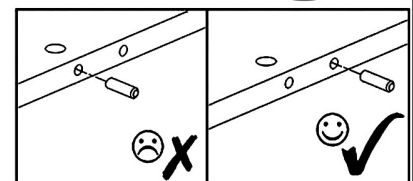
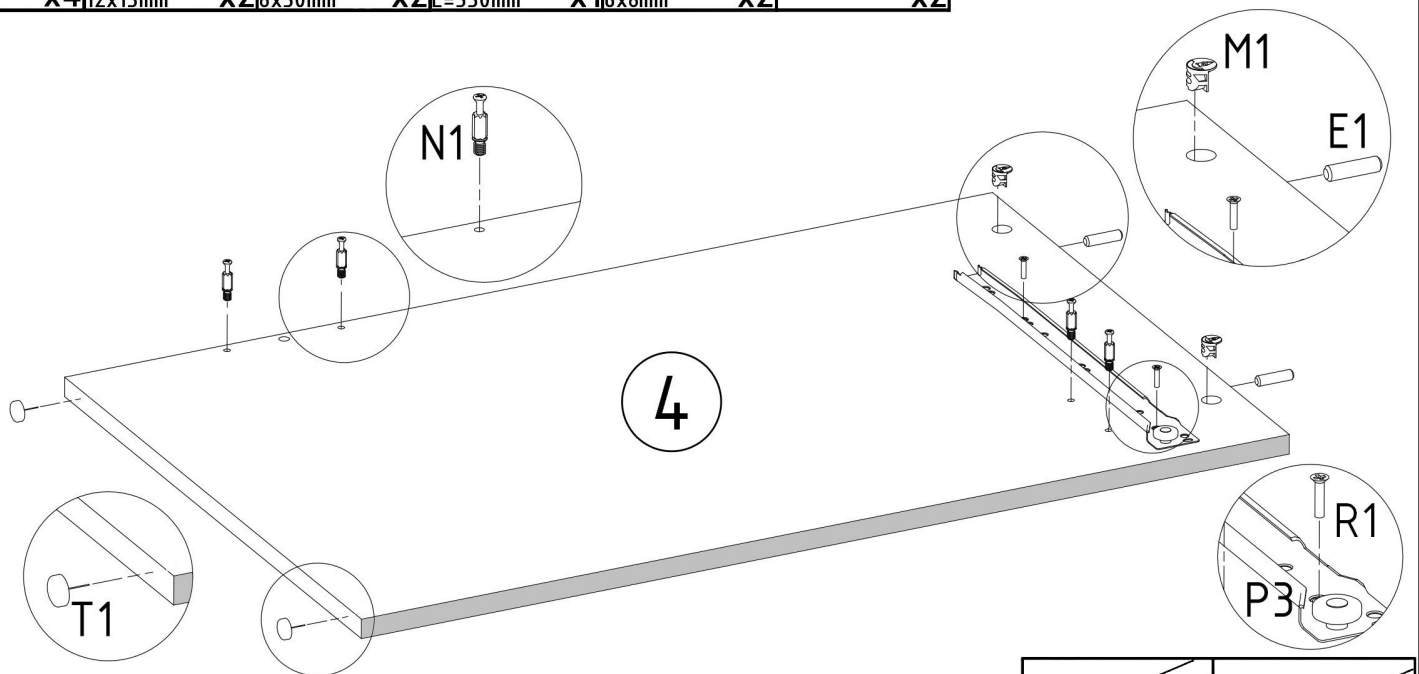
M1

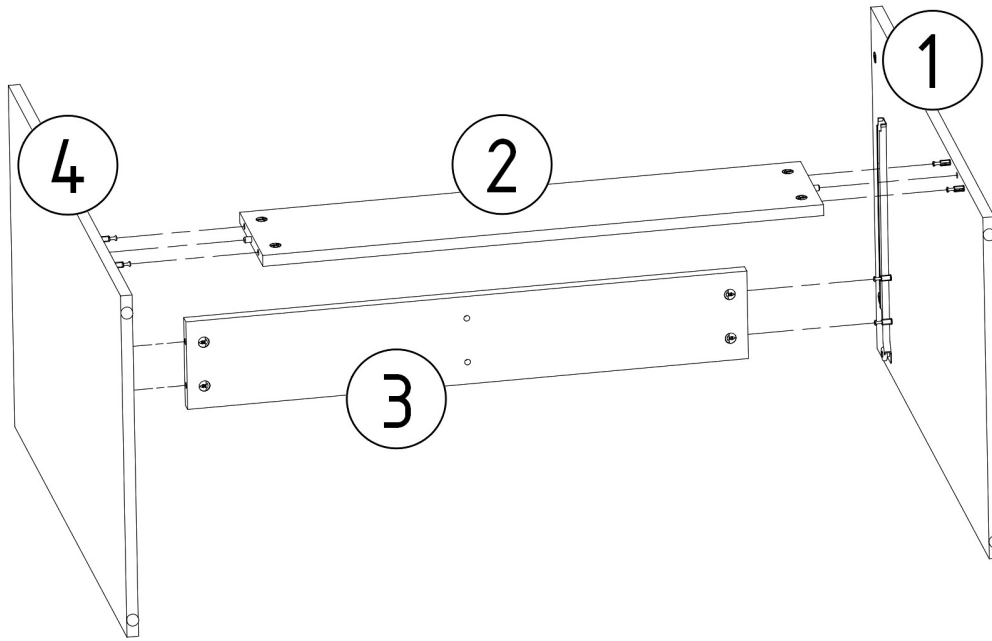






12x15mm X4

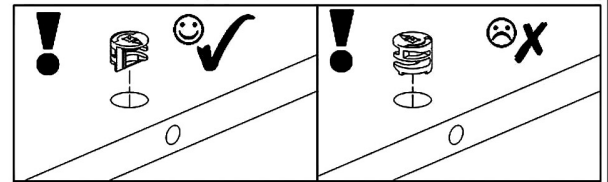
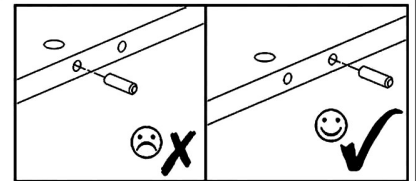
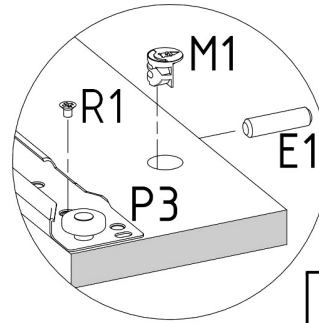
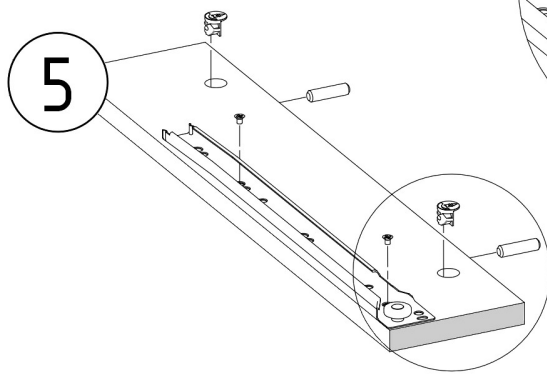




<p>N1</p> <p>L=35mm X4</p>	<p>M1</p> <p>12x15mm X2</p>	<p>E1</p> <p>8x30mm X2</p>	<p>P3</p> <p>L=350mm X1</p>	<p>R1</p> <p>6x8mm X2</p>	<p>T1</p> <p>X2</p>
----------------------------	-----------------------------	----------------------------	-----------------------------	---------------------------	---------------------

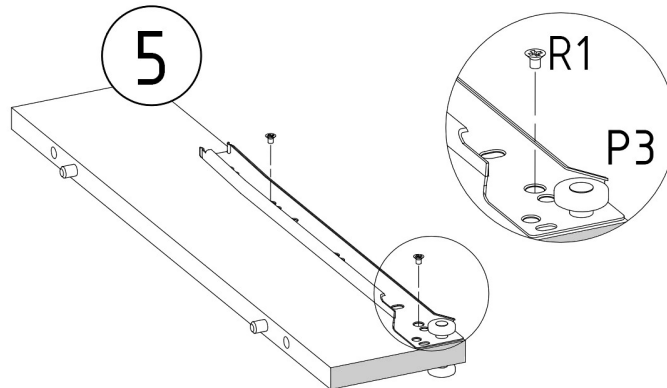




<b>M1</b>  12x15mm x2	<b>E1</b>  8x30mm x2	<b>P3</b>  L=350mm x2	<b>R1</b>  6x8mm x2
--	---	--	--



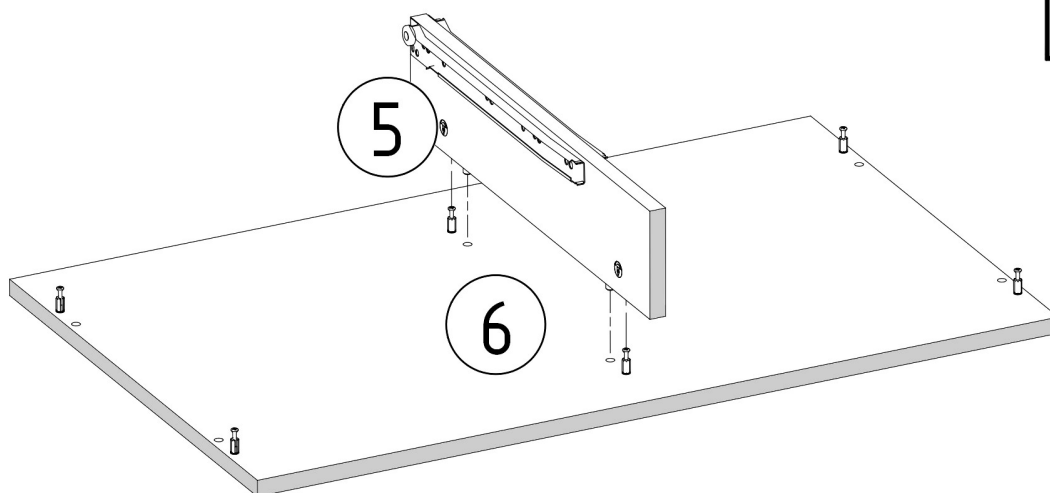
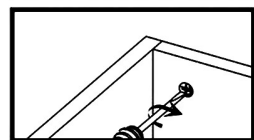
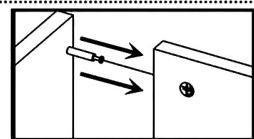
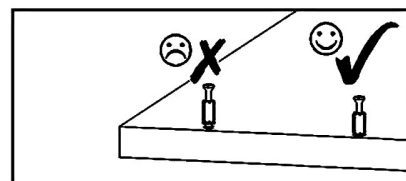
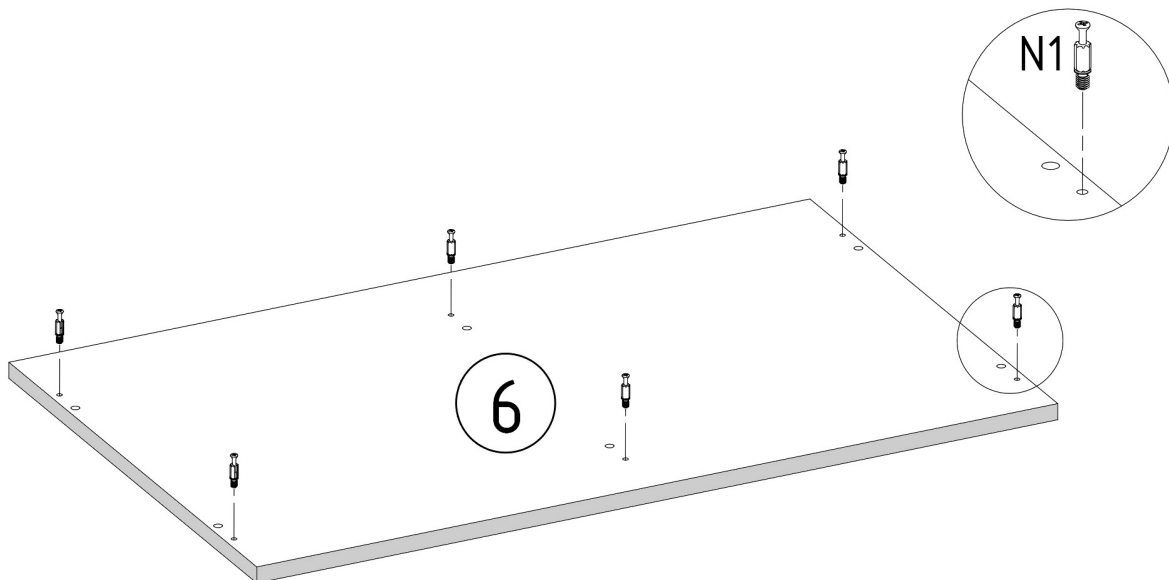
<b>P3</b>  L=350mm x1	<b>R1</b>  6x8mm x2
---	--



N1



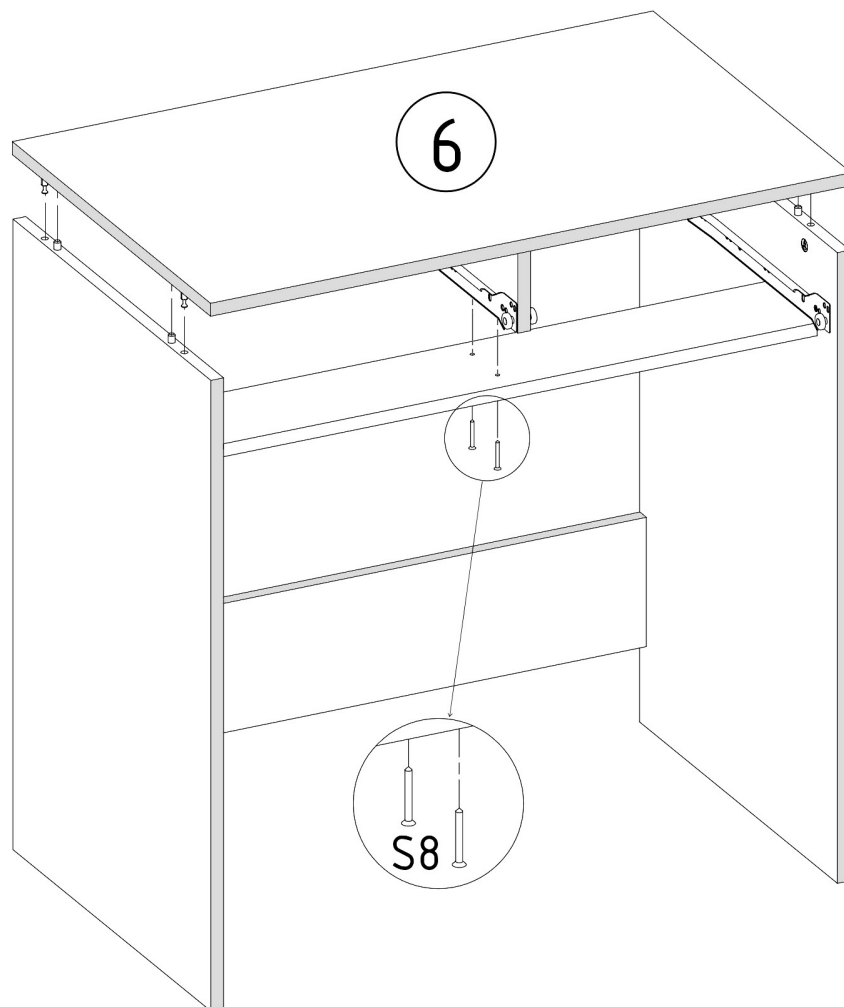
L=35mm X6



S8



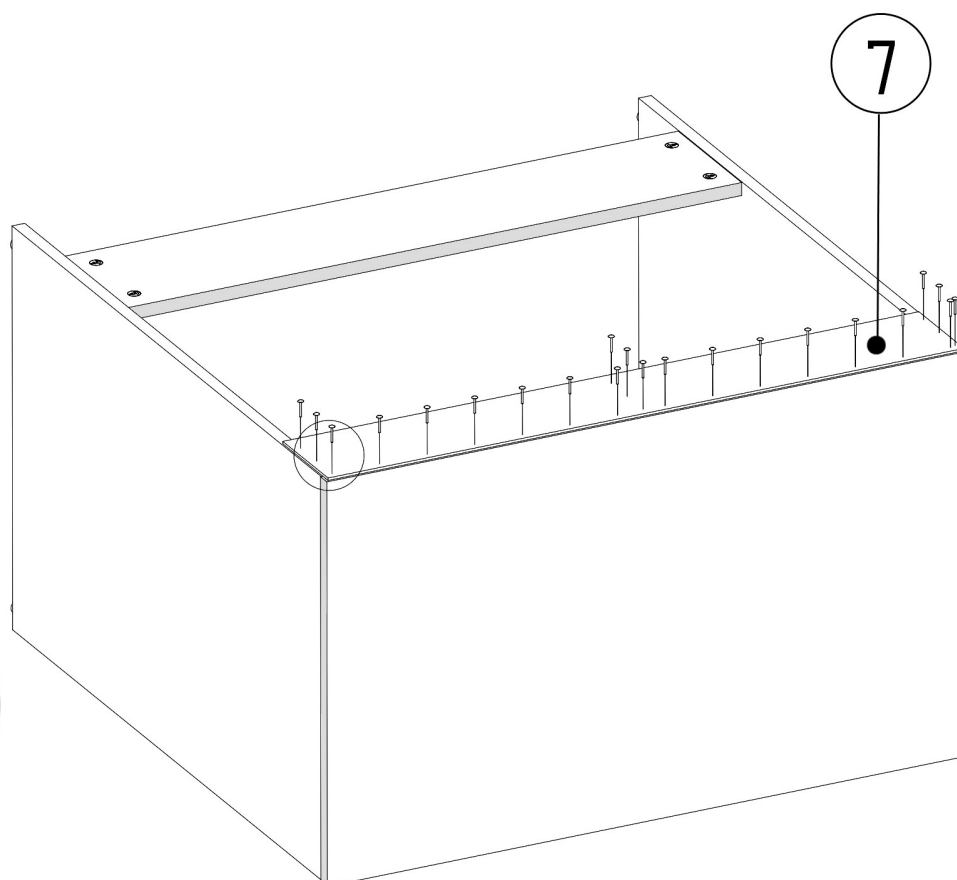
4x35mm x2



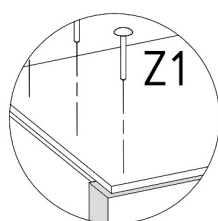
Z1



x25



8 mm

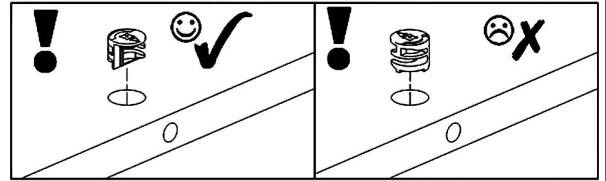
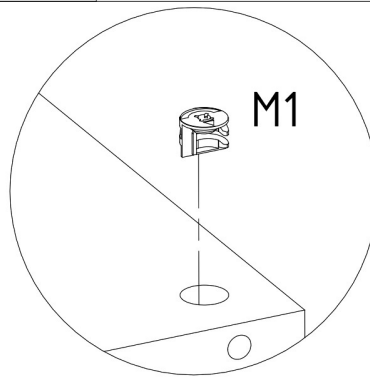
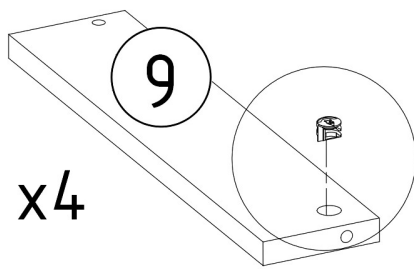


Z1

M1



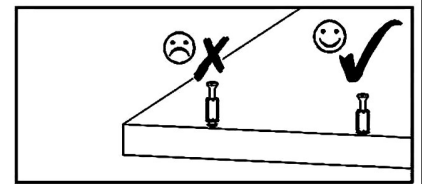
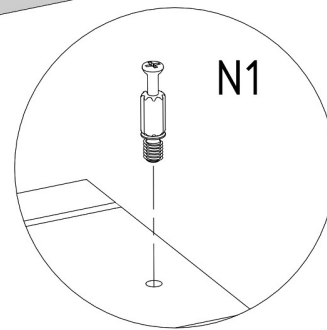
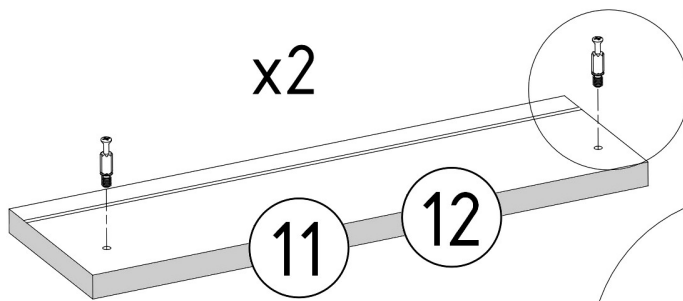
12x15mm X4



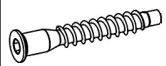
N1



L=35mm X4

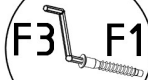
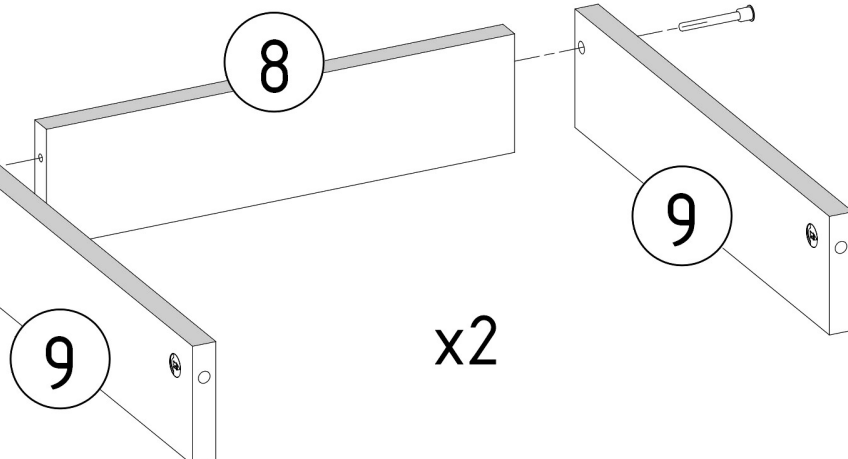
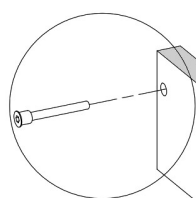


F1



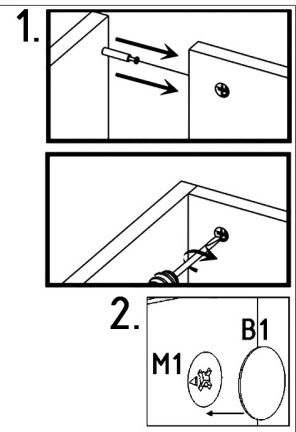
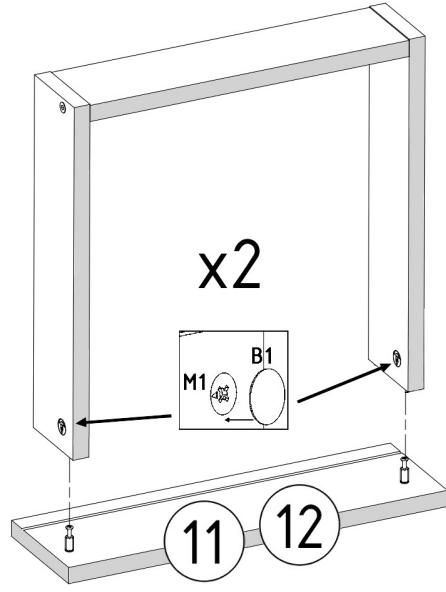
7x50mm X4

F3



**B1**

ø17.4mm **x4**



**P3**

L=350mm **x2**

**S1**

3,5x16mm **x8**

**Z1**

**x15**

