

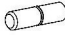


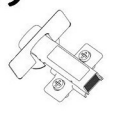


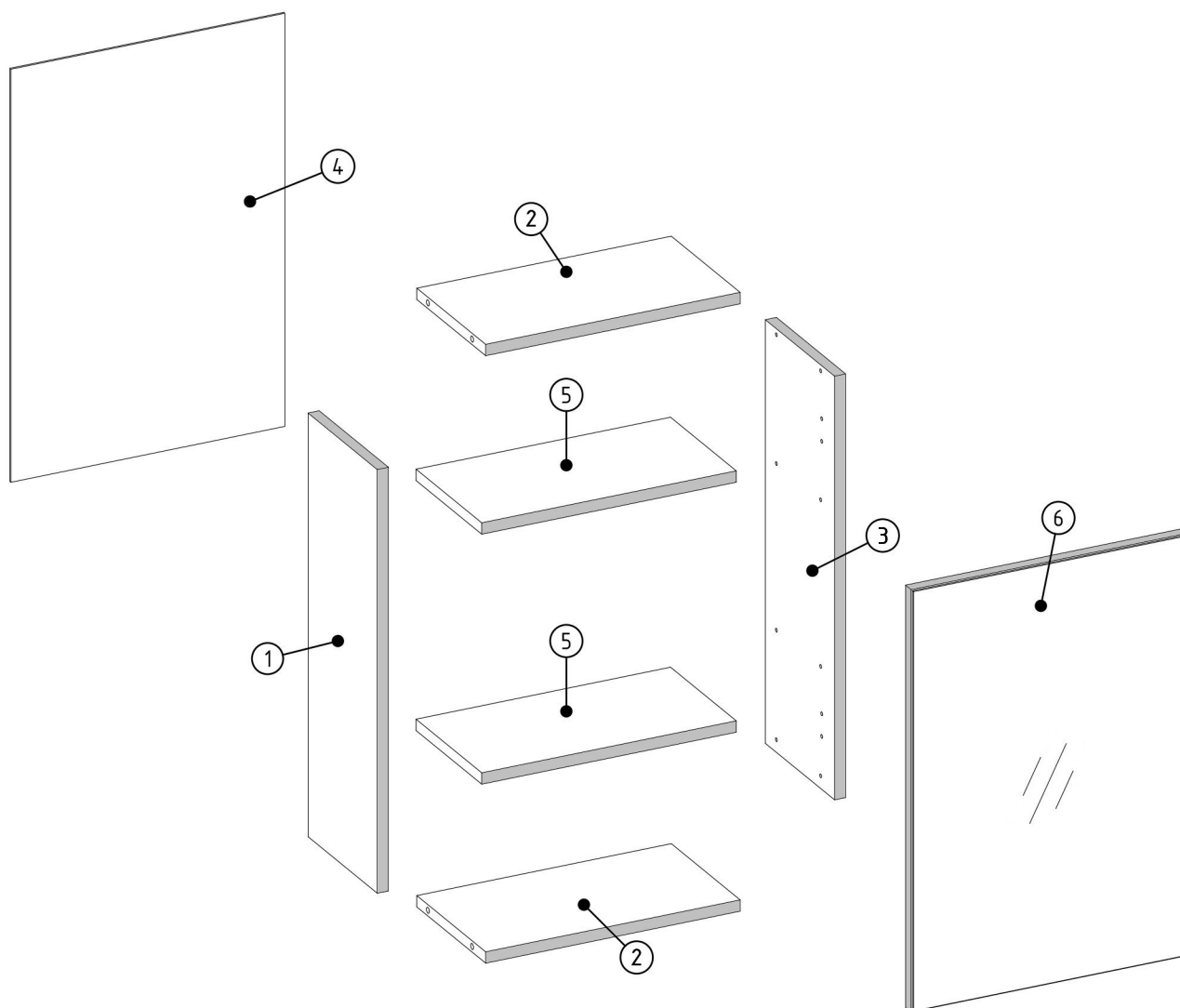

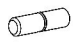
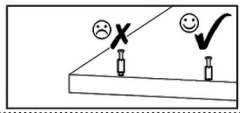
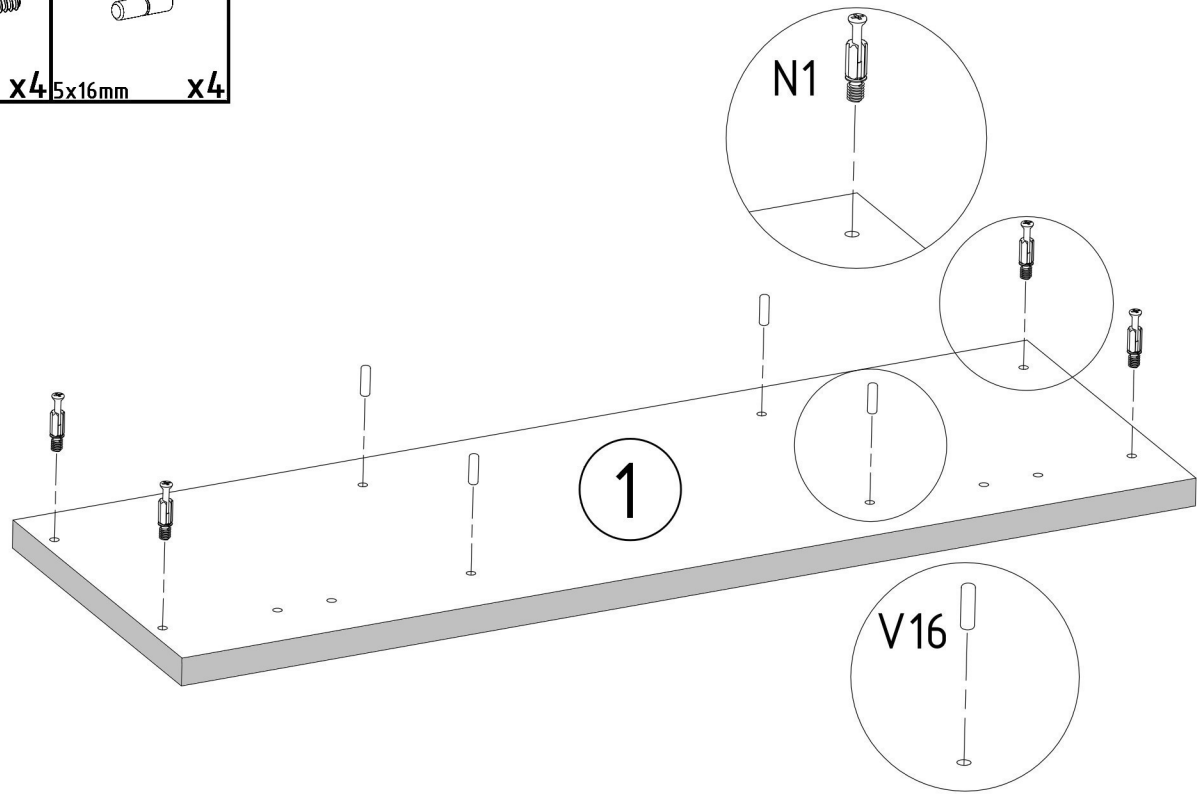



M1  12x15mm	N1  x8 L=35mm	V16  x8 5x16mm	V28  x8	S10  x2 3x25mm	A9  x6 ZP0	S1  x2 3,5x16mm	Z1  x4	x40
--	---	--	---	--	---	---	--	------------

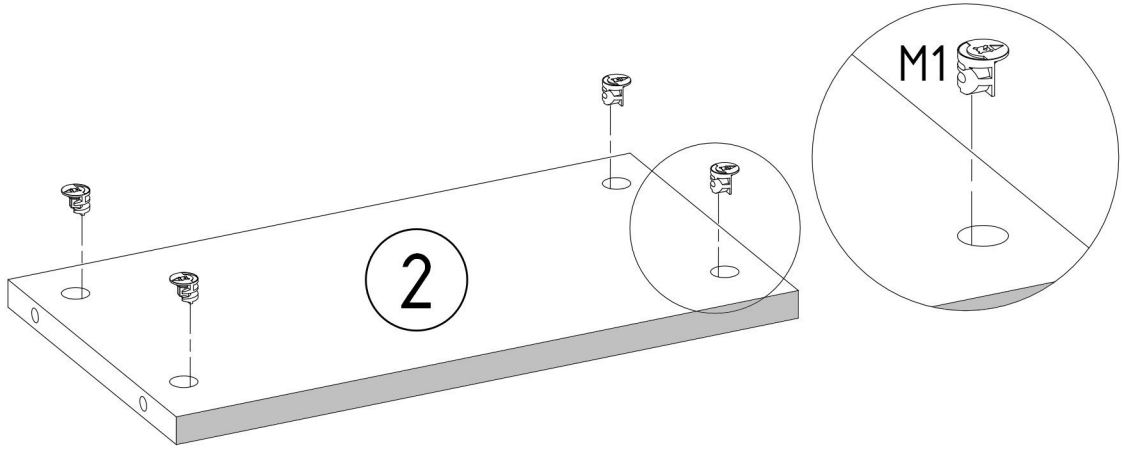


1	x	1
2	x	2
3	x	1
4	x	1
5	x	2
6	x	1

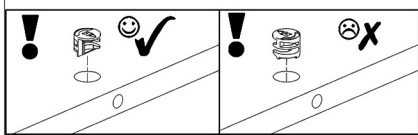
N1  L=35mm X4	V16  5x16mm X4
--	--


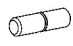


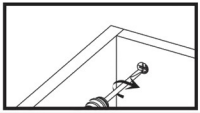
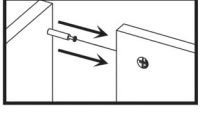
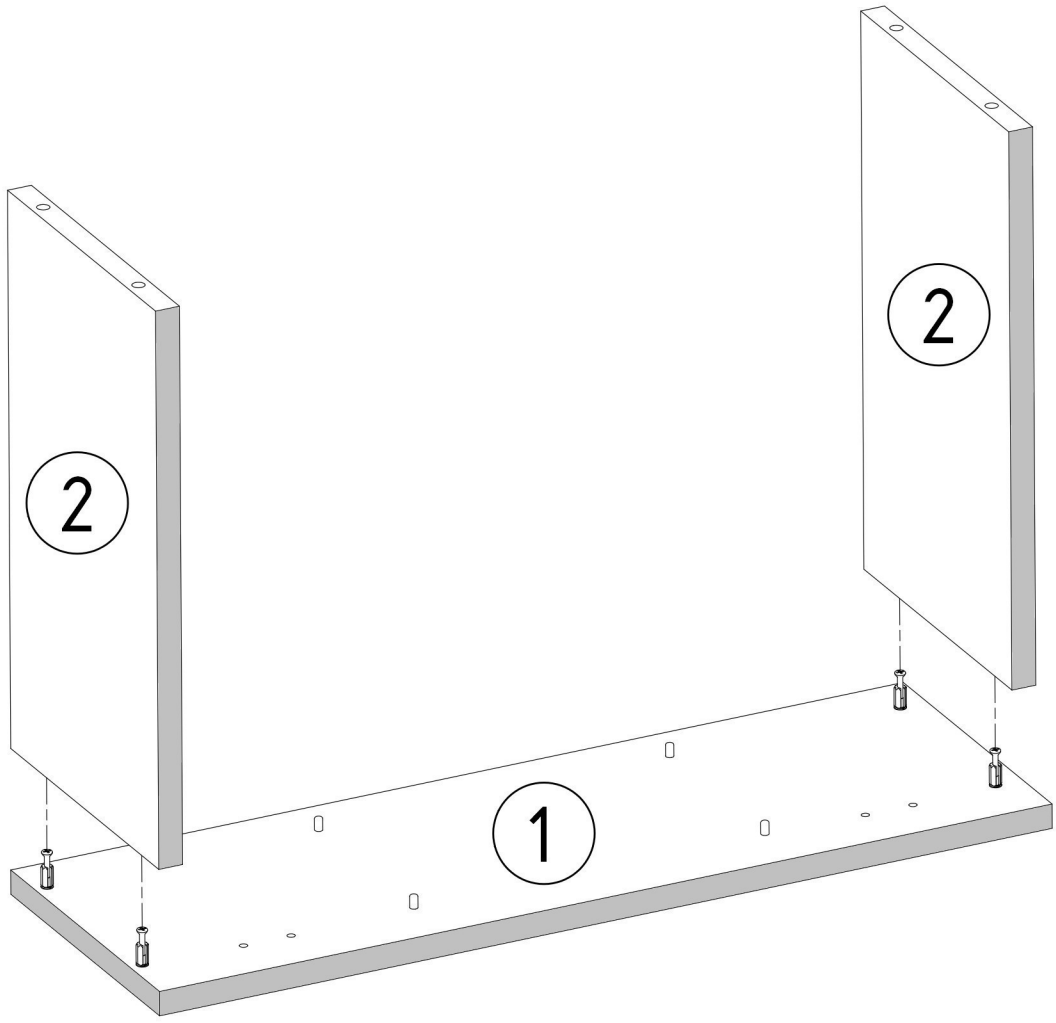
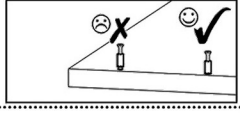
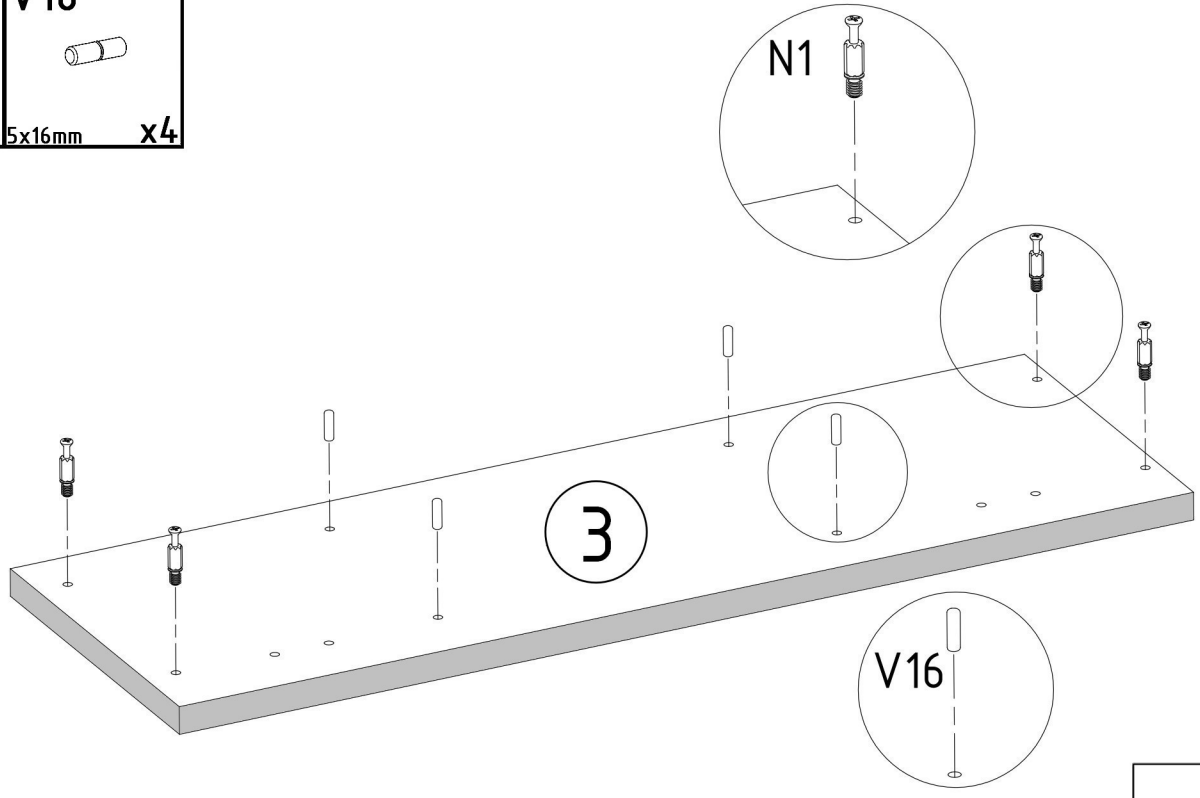
M1  12x15mm X8

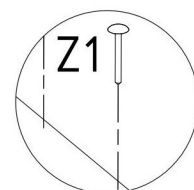
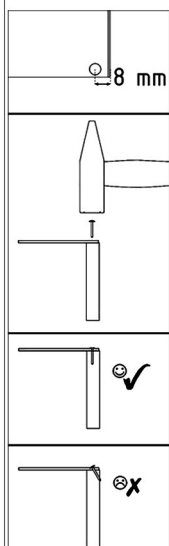
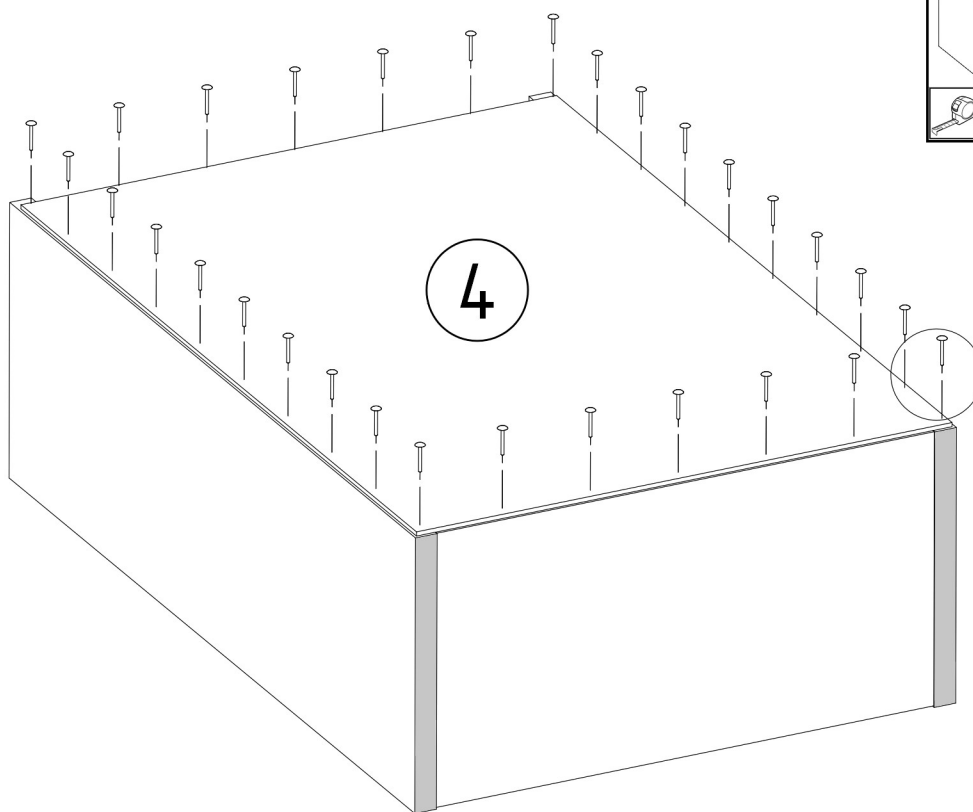
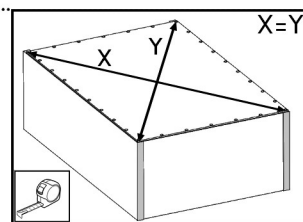
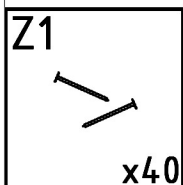
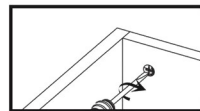
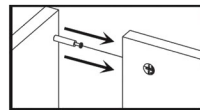
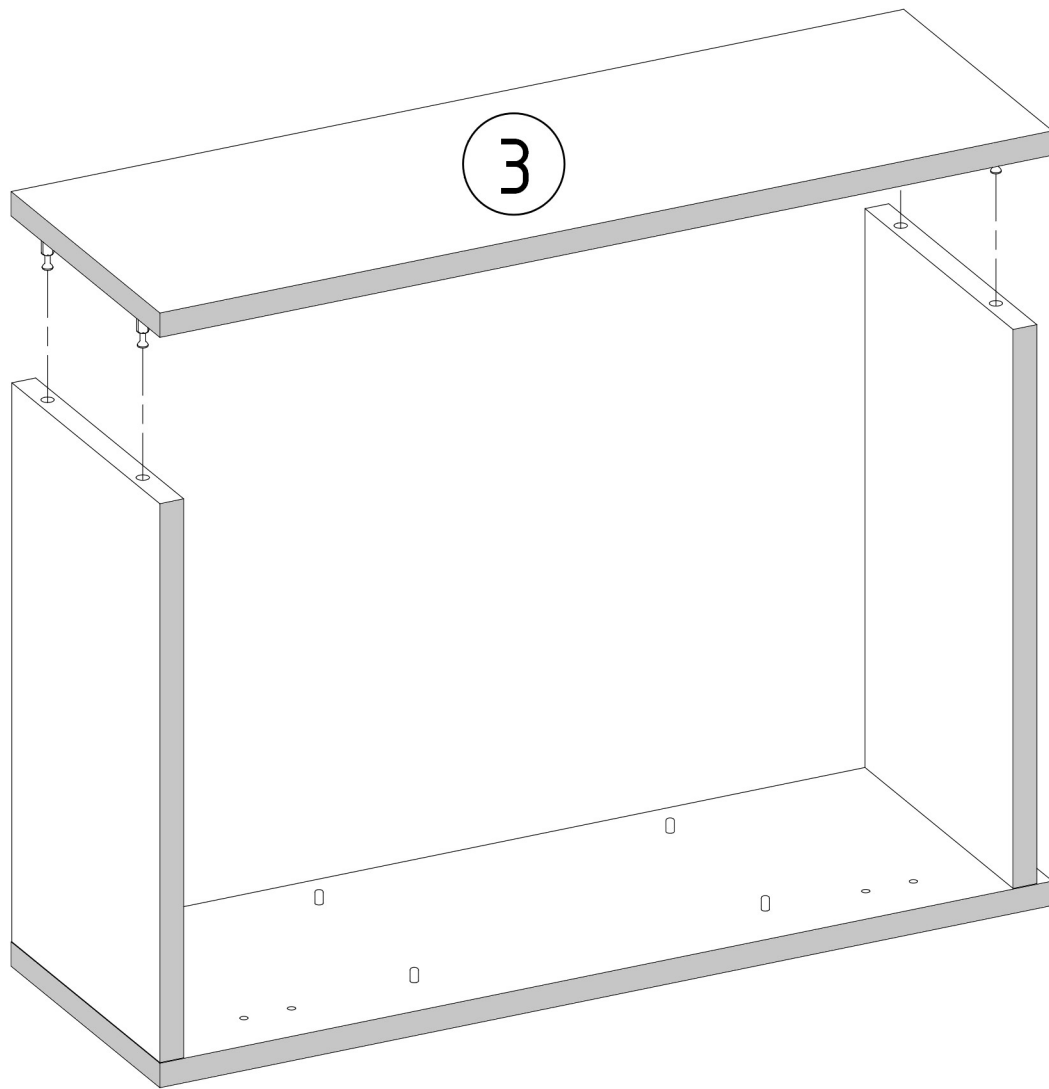


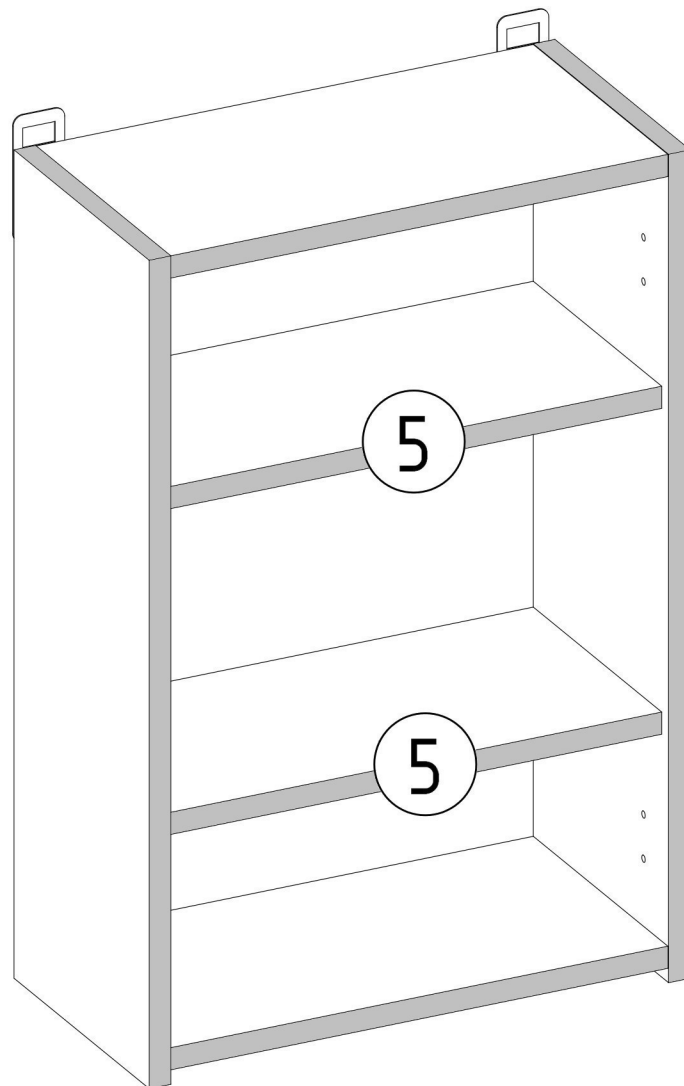
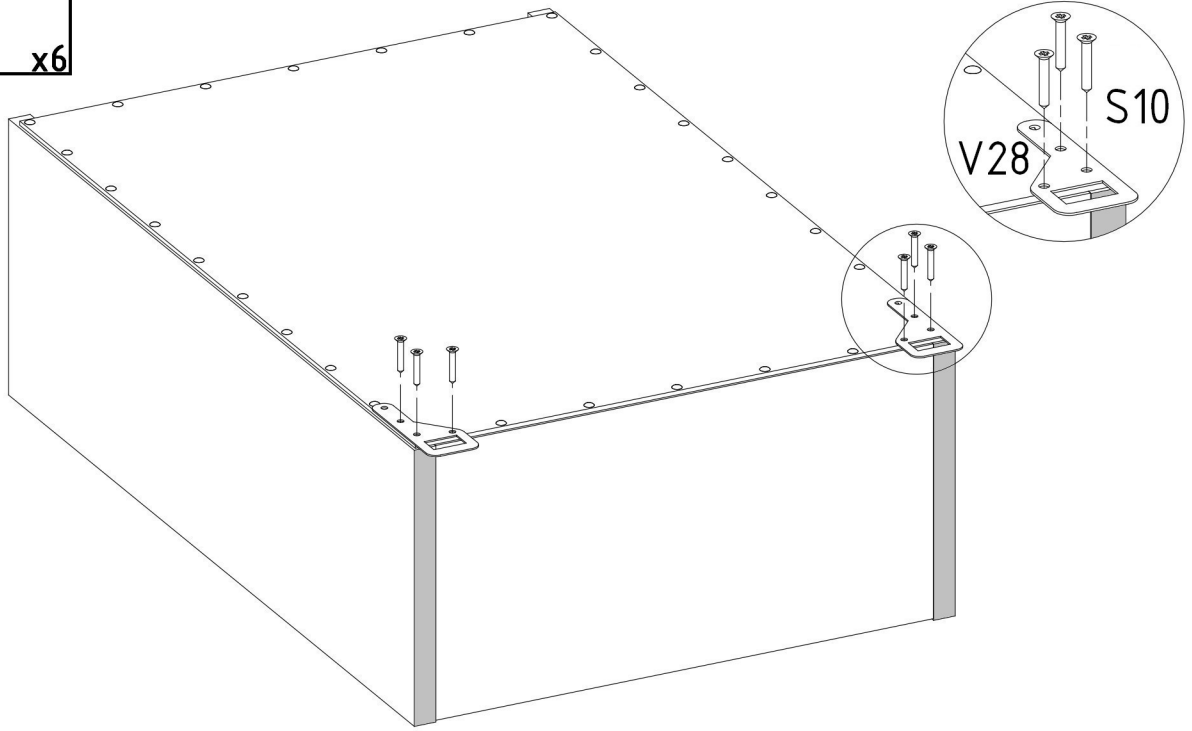
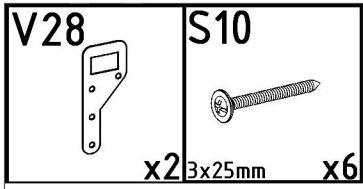
x2

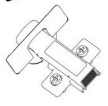



N1  L=35mm X4	V16  5x16mm X4
--	--







A9 	S1 
ZPd	x2 3,5x16mm x4

