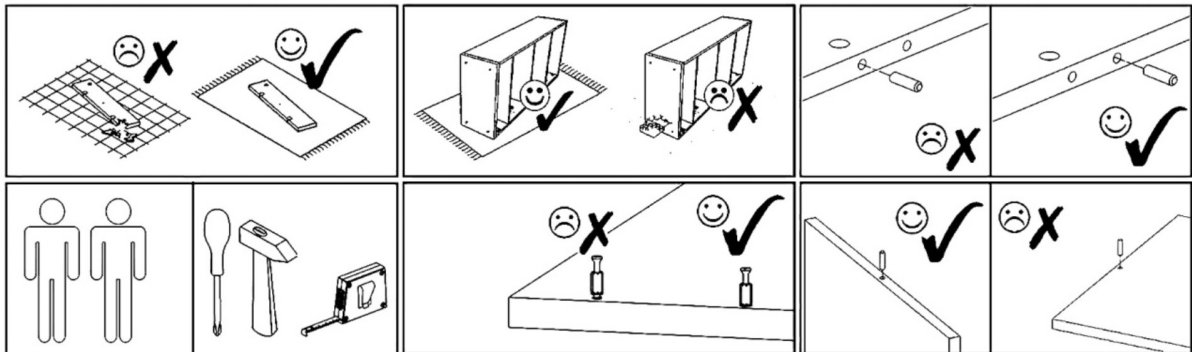
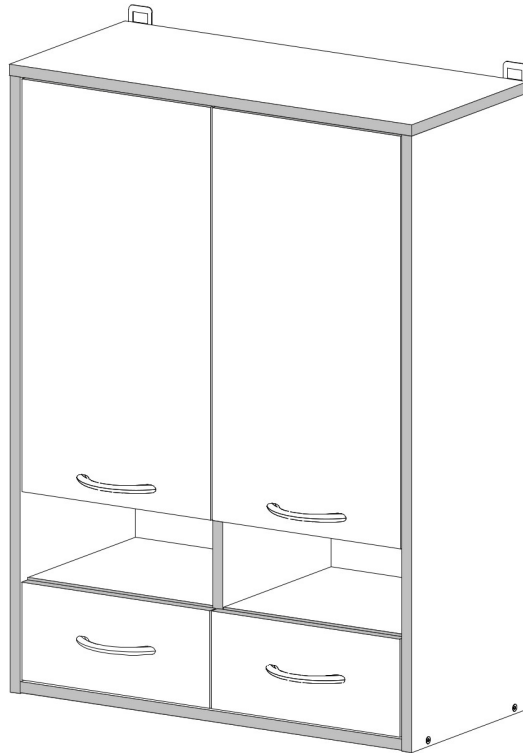

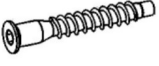
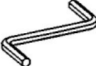
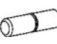



















NINA W2D2P2S

PRODUCTION DATE

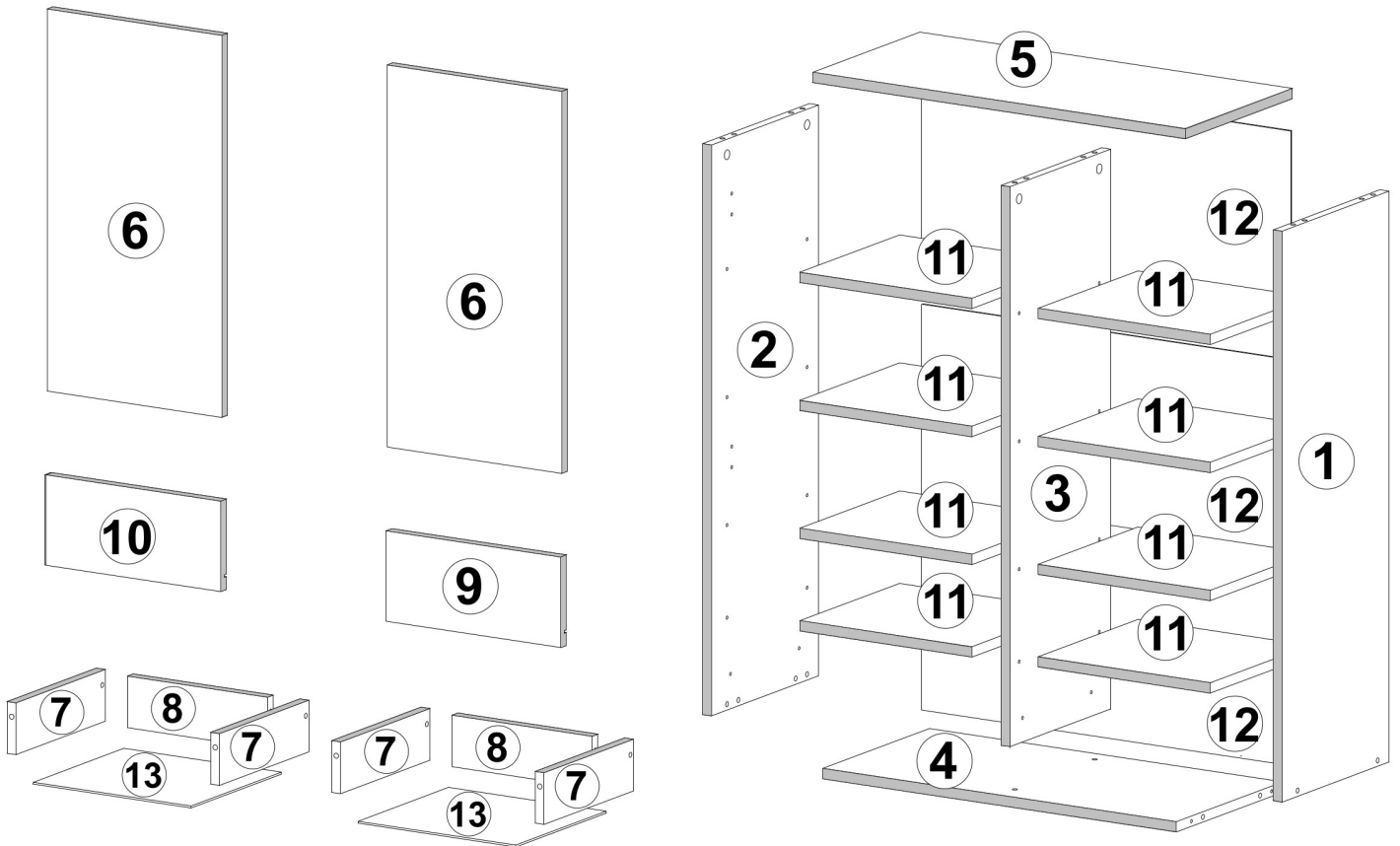
PACKING CODE








E1  8x30mm x10	F1  7x50mm x10	F3  Hex 4mm x1	V16  5x16mm x32	N1  L=35mm x10	M1  12x15mm x10	S2  4x27mm x8	U15  L=125/96mm x4
Z1  x70	A2  ZW x4	S1  3,5x16mm x16	S13  3x25mm x6	V28  x2	R1  6x8mm x8	P1  L=250mm x2	B1  B ø17/4mm x4
B2  Ant ø12/4mm x6	B2  S/A ø12/4mm x6	B2  B ø12/4mm x6	B2  K ø12/4mm x6	V58  D=10mm x2			

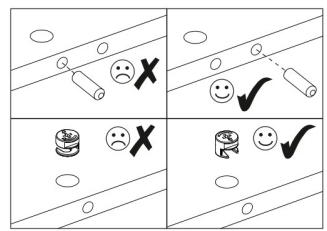
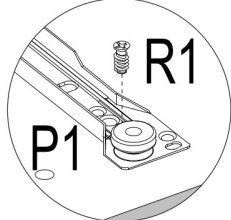
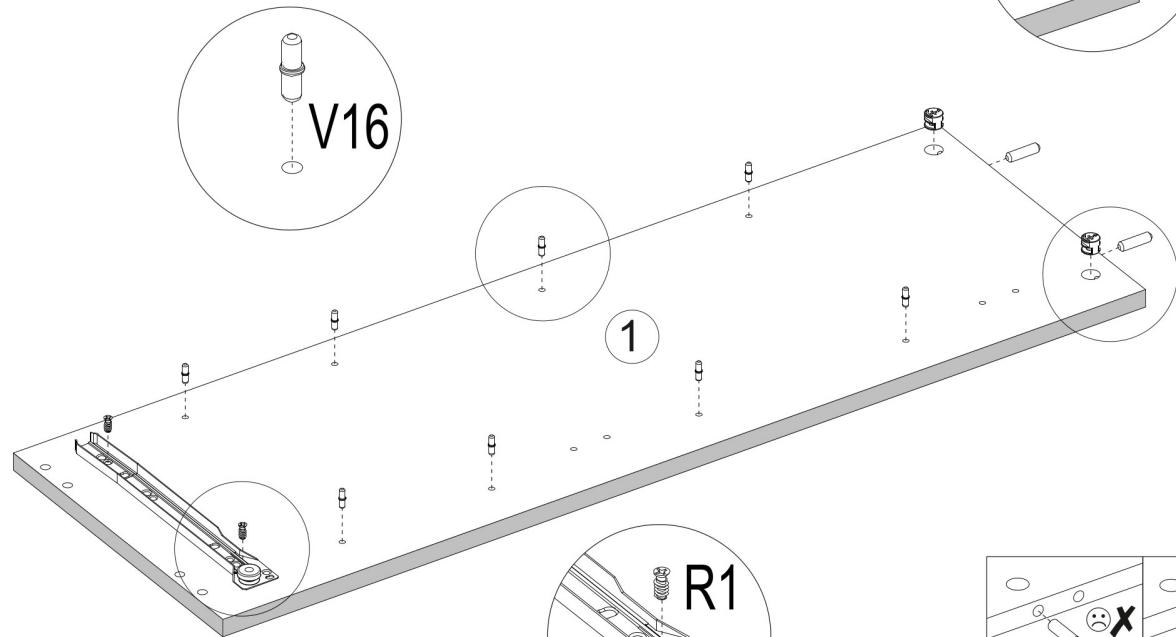
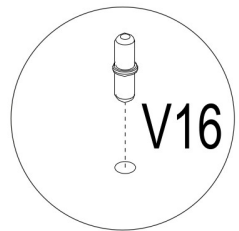
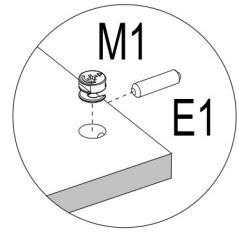
NINA W2D2P2S






PRODUCTION DATE	PACKING CODE

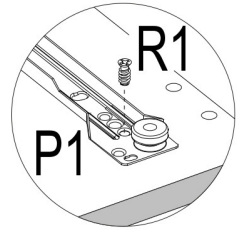
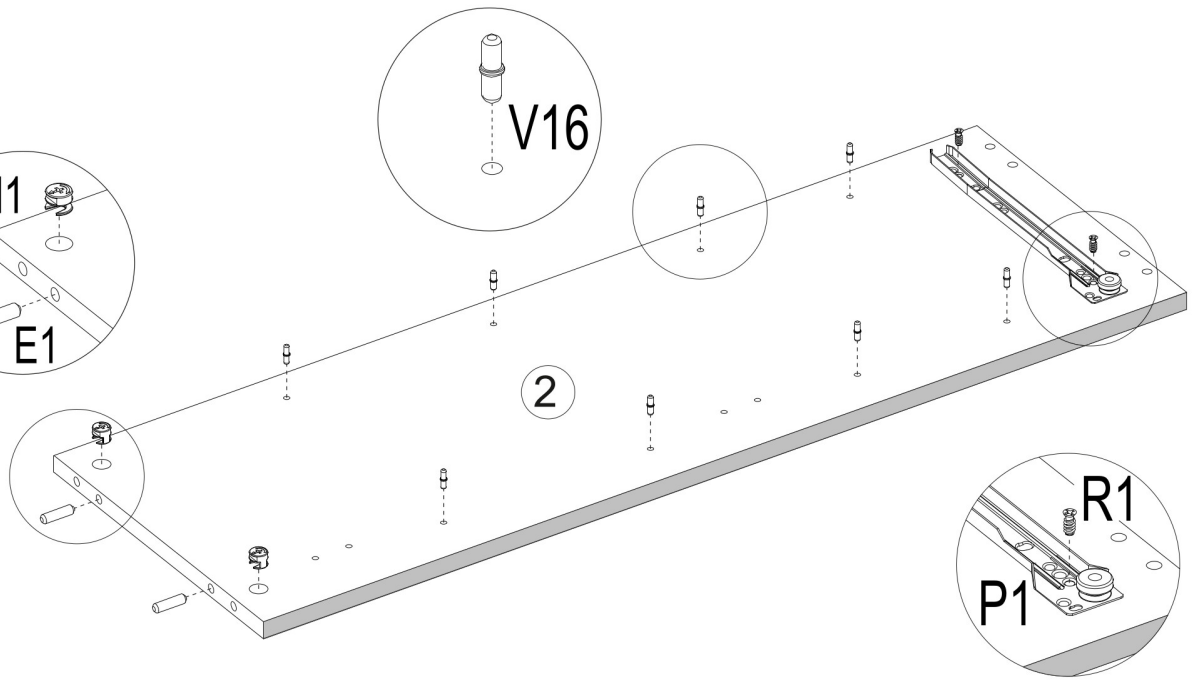
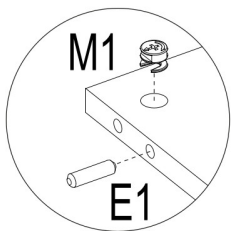
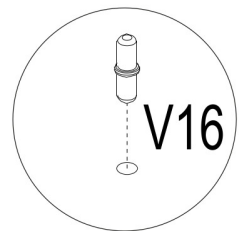
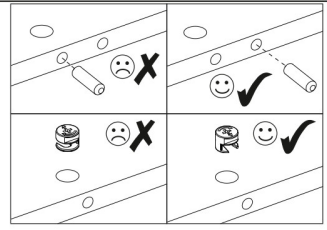


001949	1	1
001948	2	1
001950	3	1
001952	4	1
001951	5	1
001944	6	2
000009	7	4
001957	8	2
001955	9	1
001954	10	1
001956	11	8
001958	12	3
001959	13	2
ID	NUMBER	QUANTITY

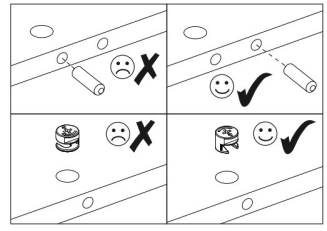
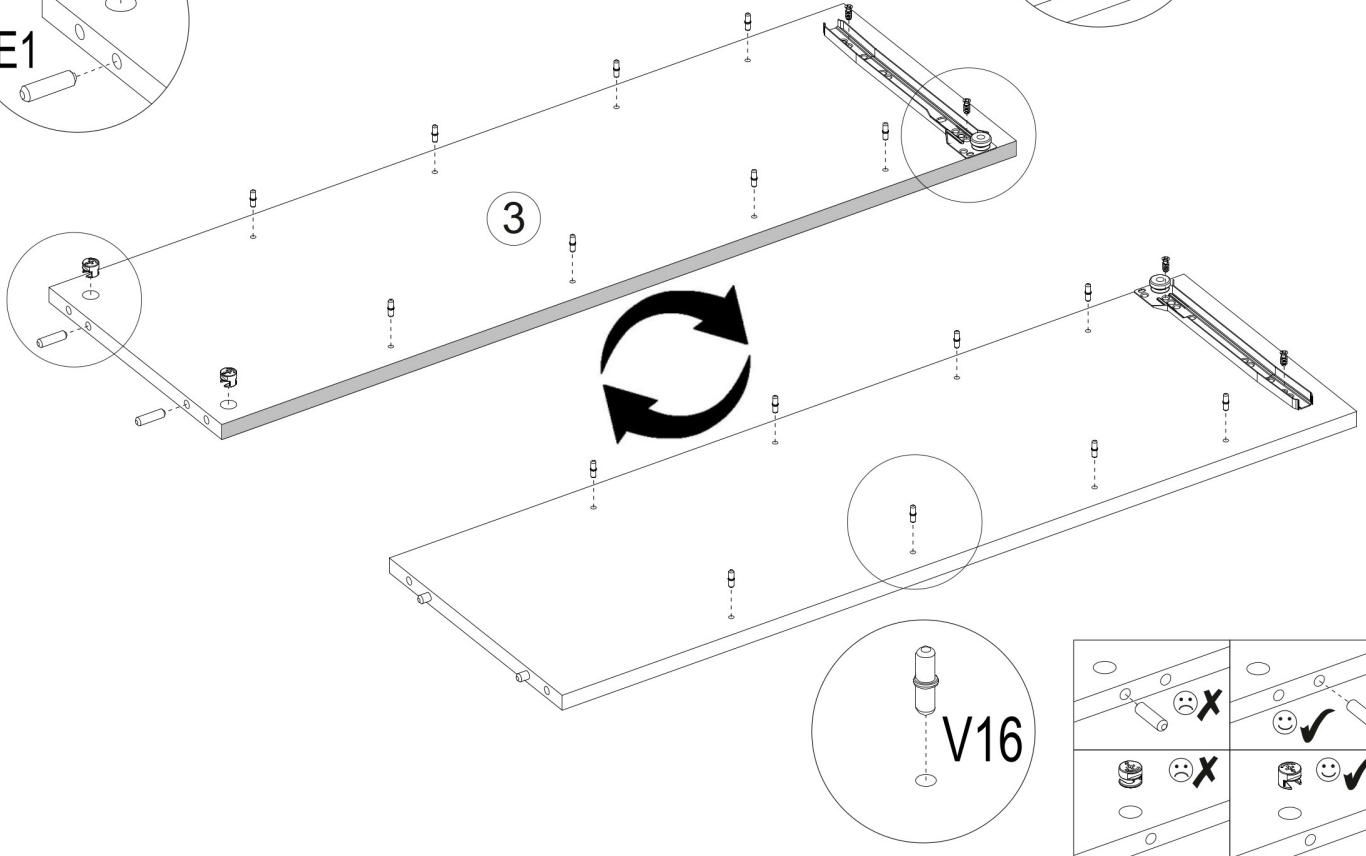
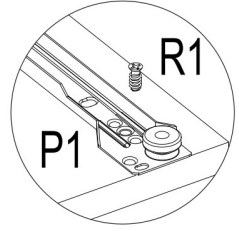
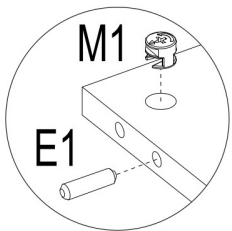
E1  8x30mm x2	V16  5x16mm x8	M1  12x15mm x2	R1  6x8mm x2	P1  L=250mm x1
--	---	---	---	---



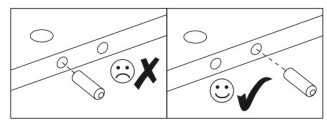
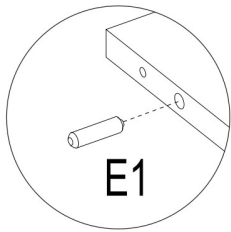
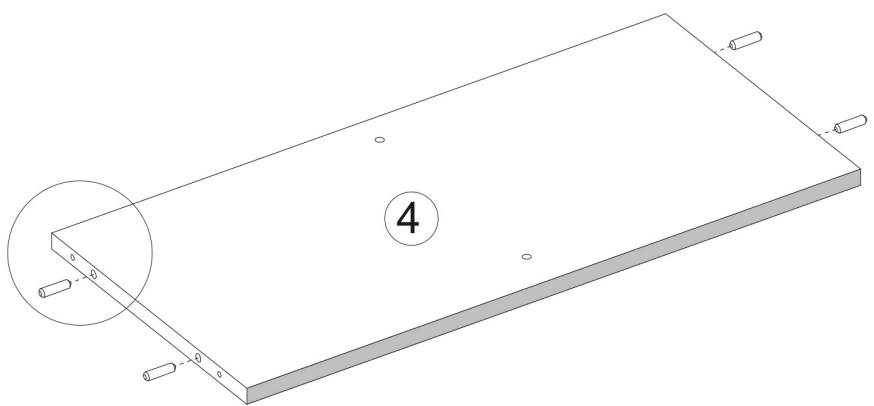
E1  8x30mm x2	V16  5x16mm x8	M1  12x15mm x2	R1  6x8mm x2	P1  L=250mm x1
--	---	---	---	---

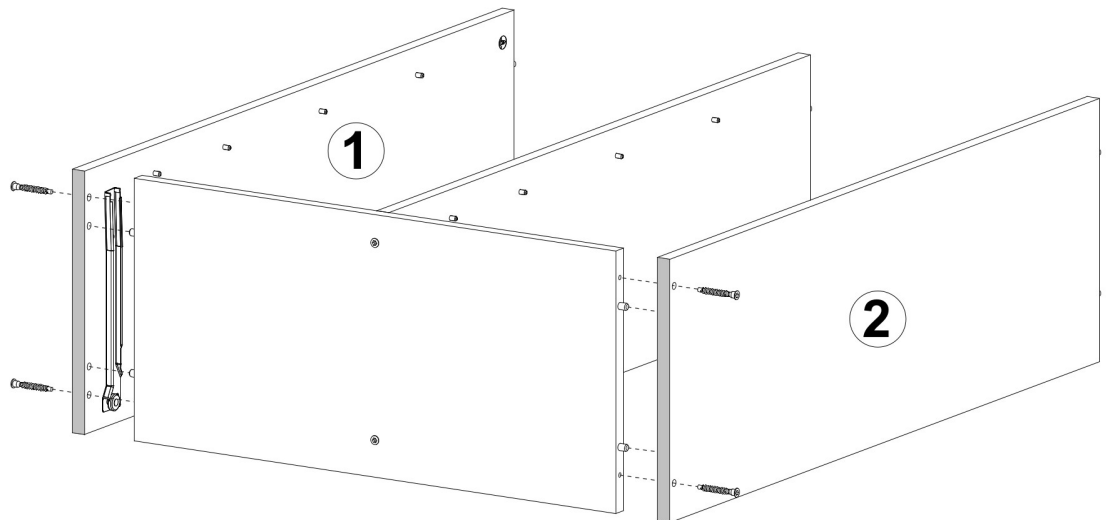
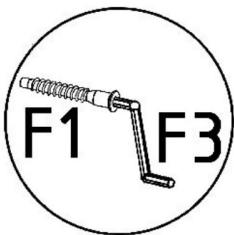
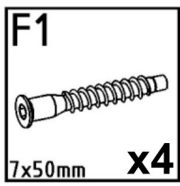
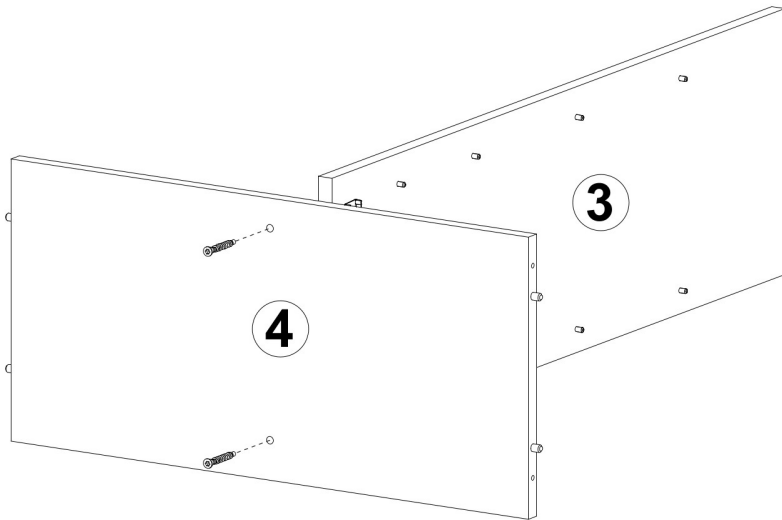
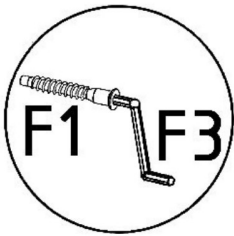
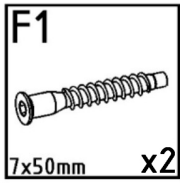
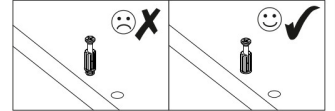
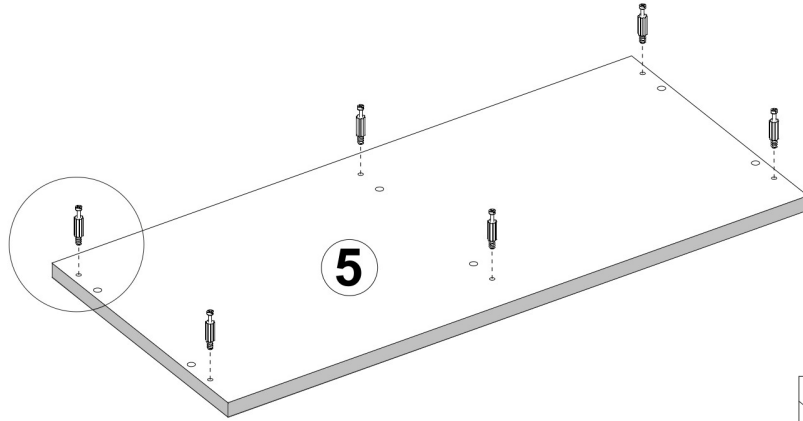
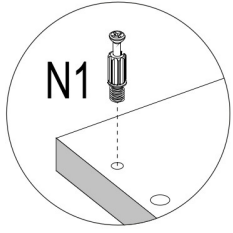


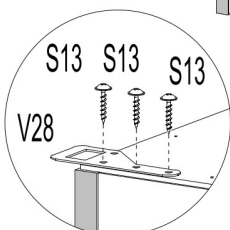
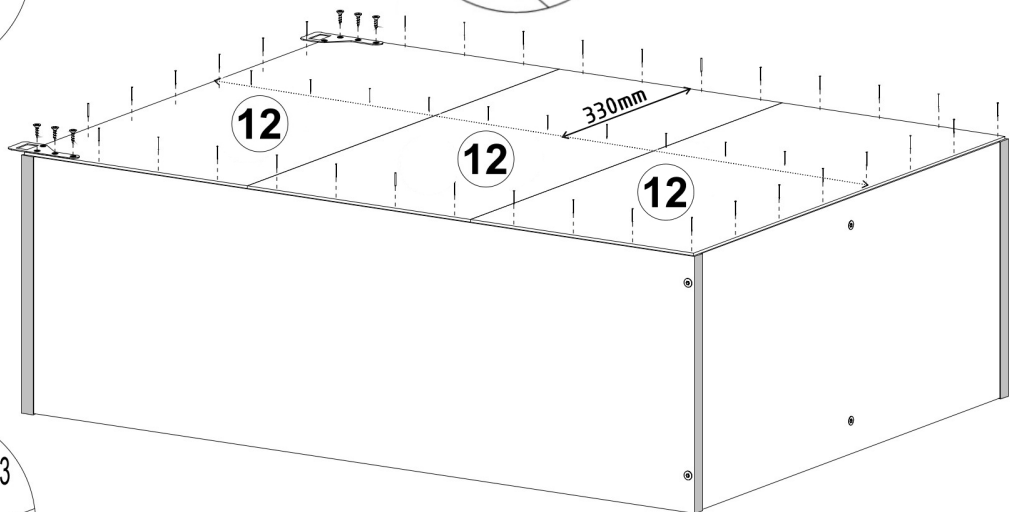
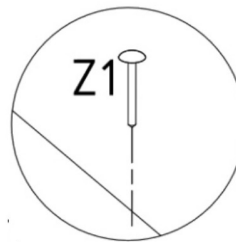
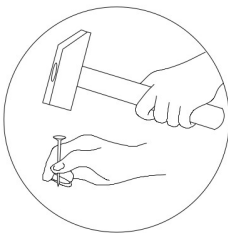
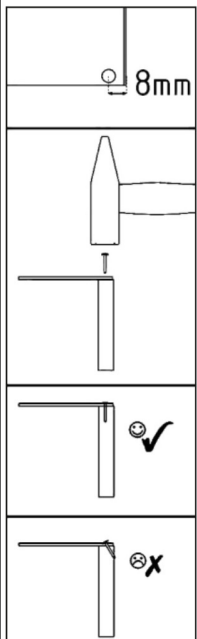
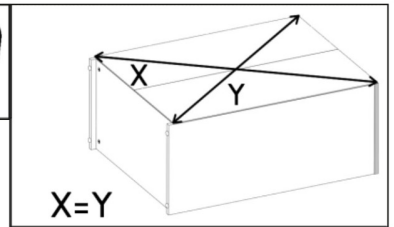
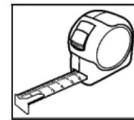
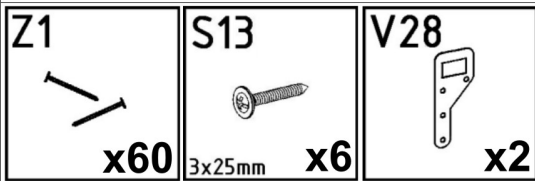
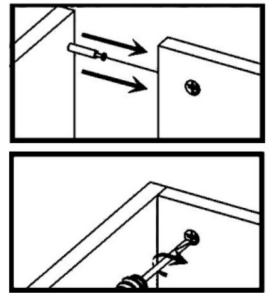
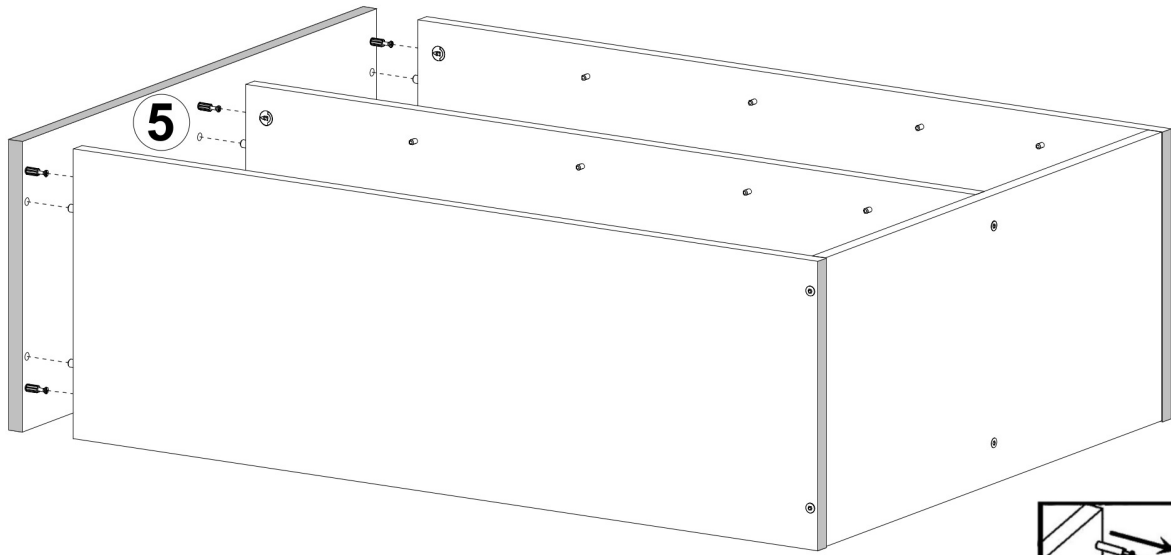
- E1**
8x30mm **x2**
- V16**
5x16mm **x16**
- M1**
12x15mm **x2**
- R1**
6x8mm **x4**
- P1**
L=250mm **x2**

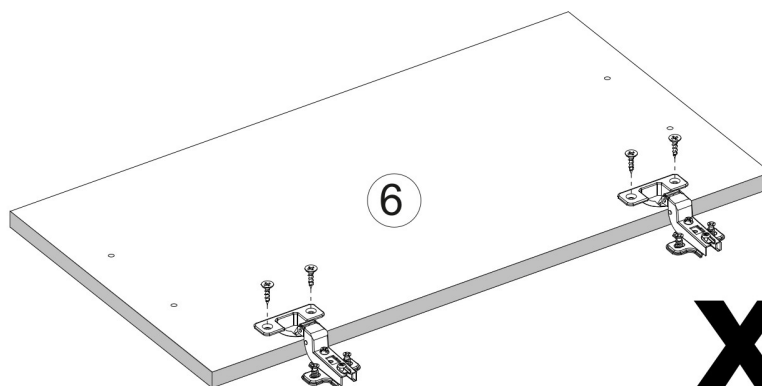
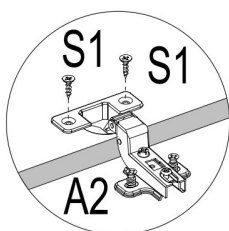
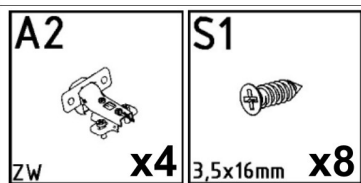
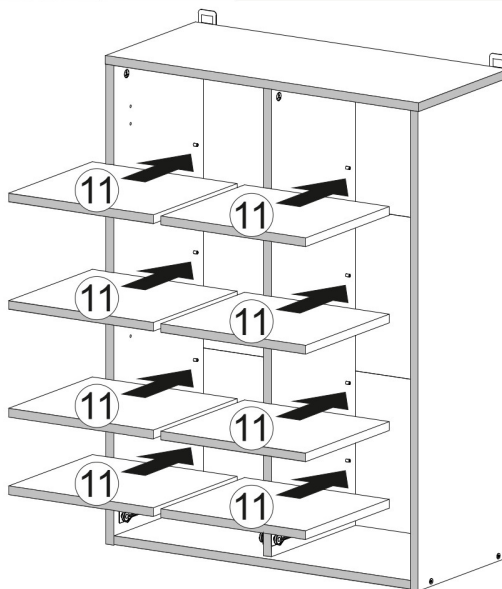
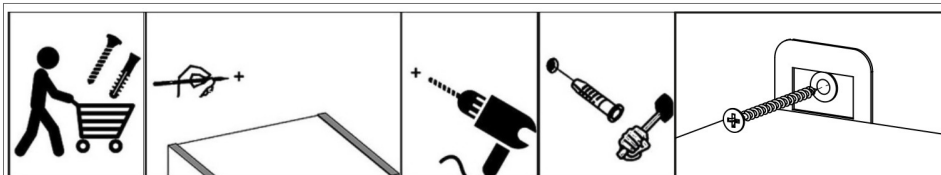


- E1**
8x30mm **x4**

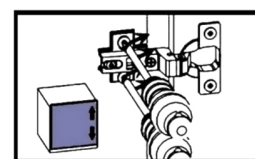
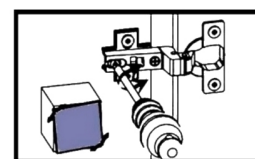
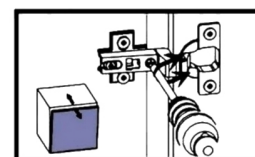
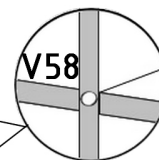
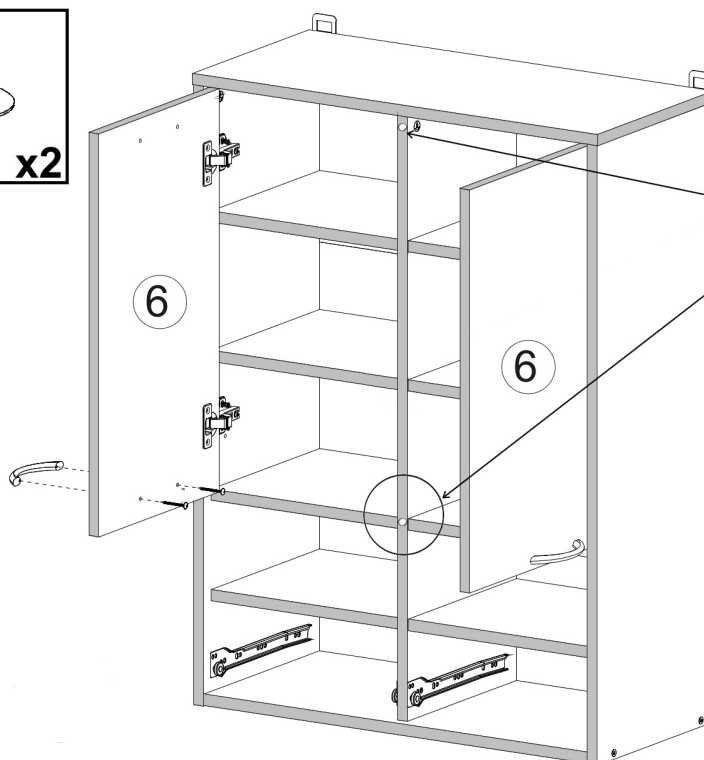
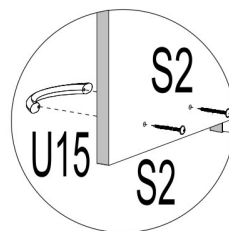
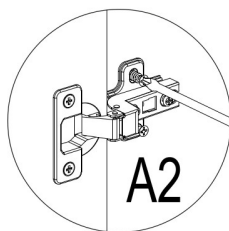
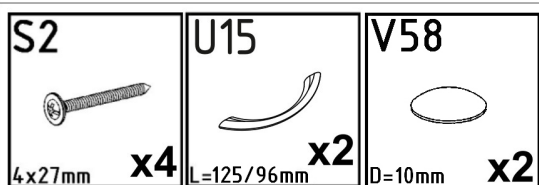






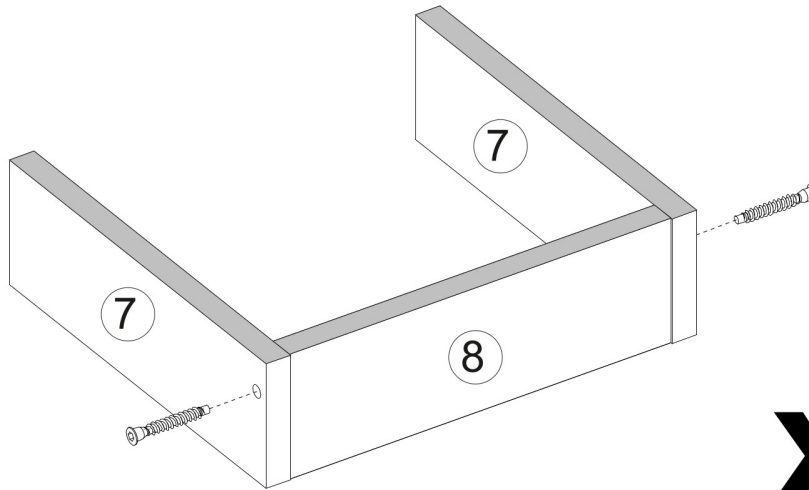
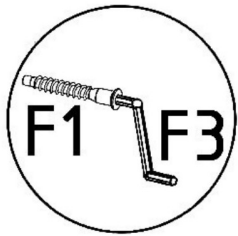
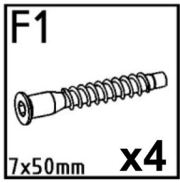
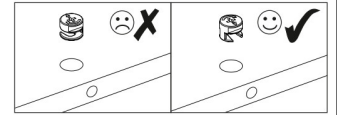
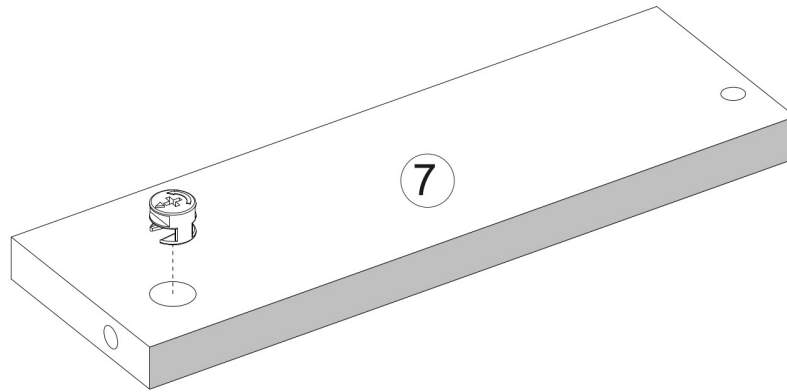
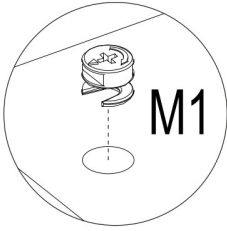


x2

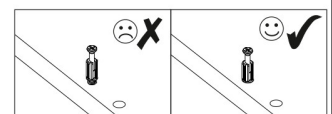
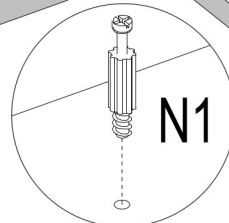
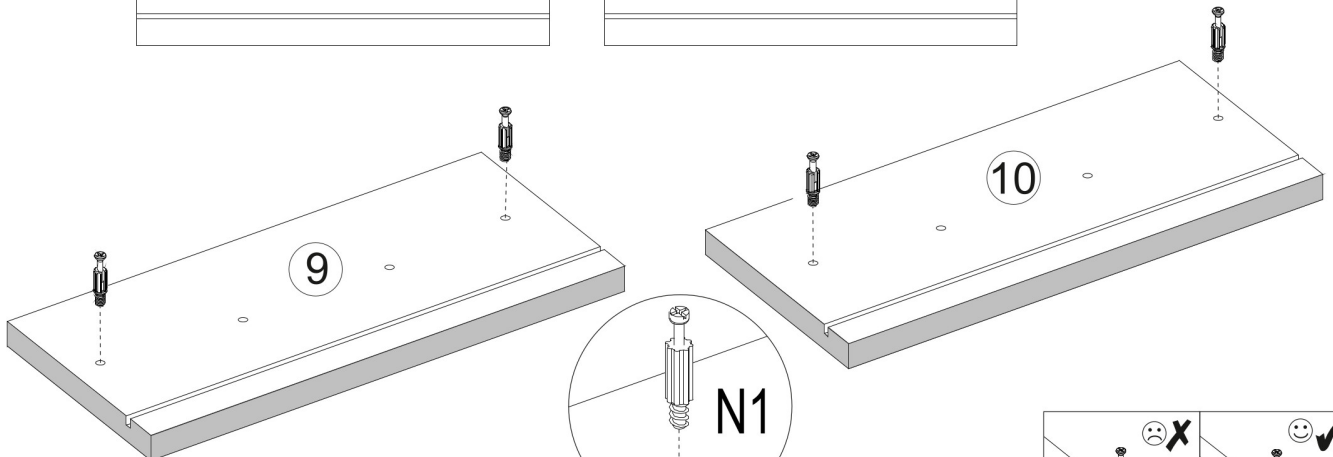
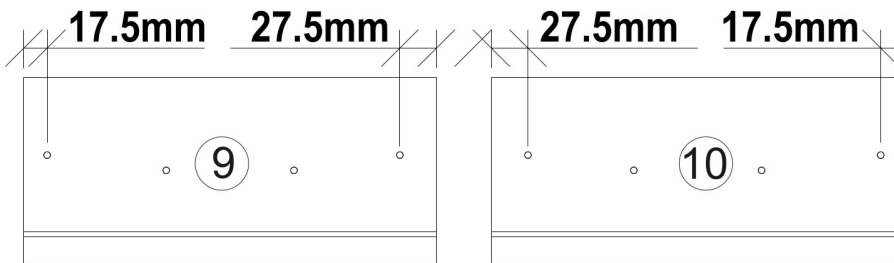


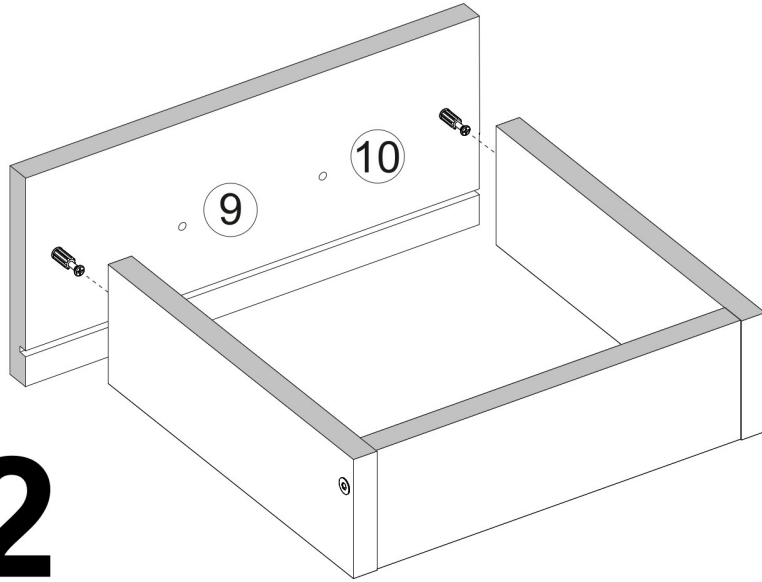


x4

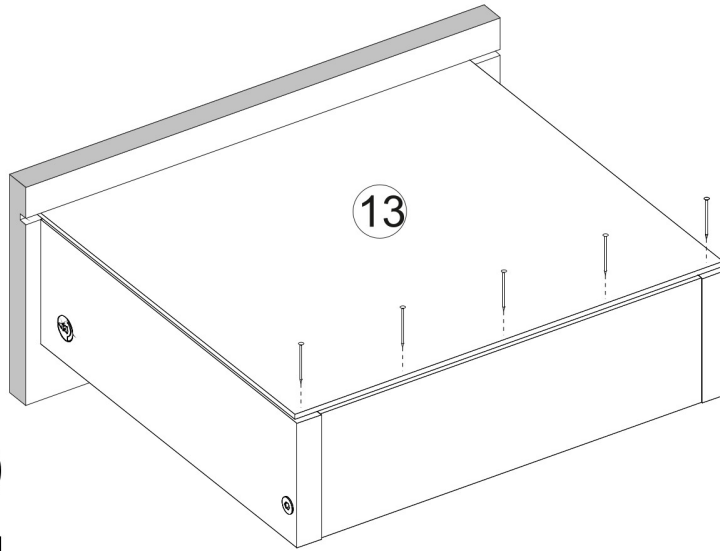
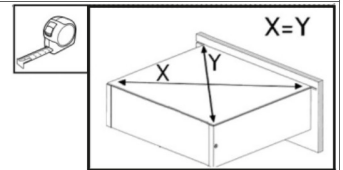
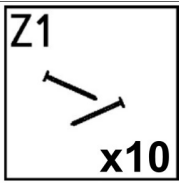
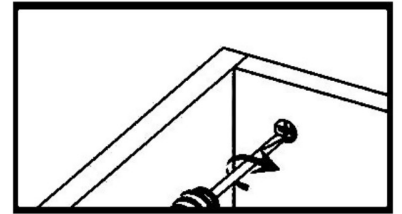
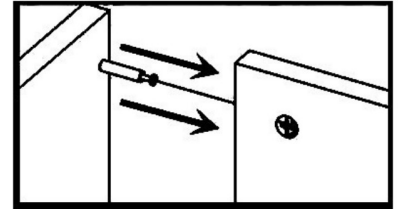


x2

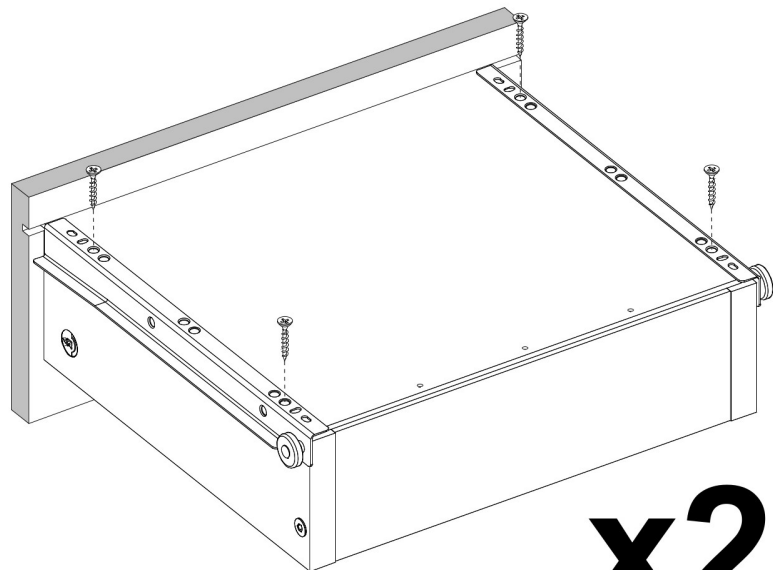
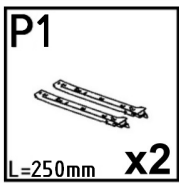
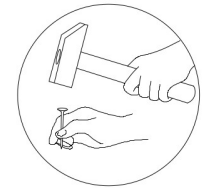
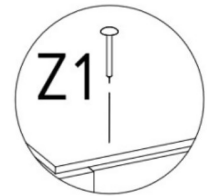




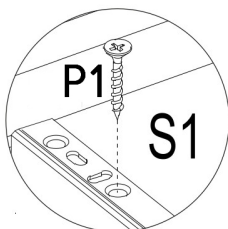
x2

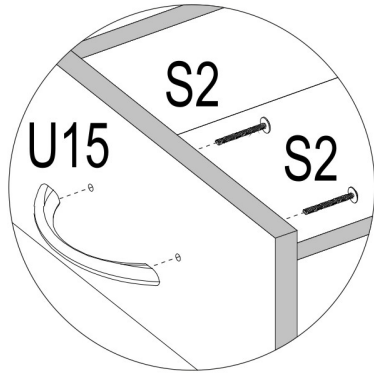
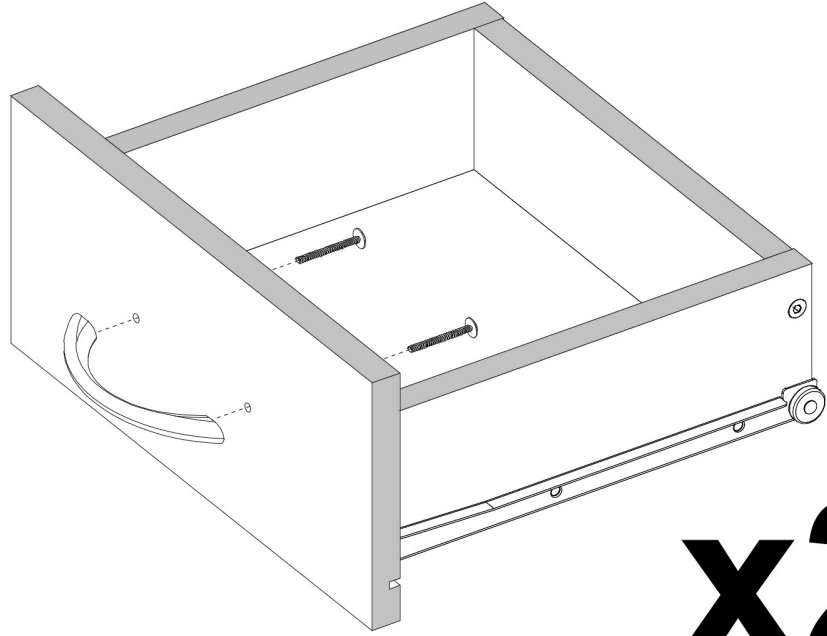
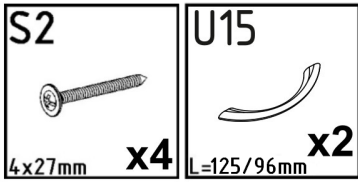


x2



x2





x2

