
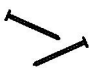
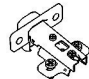



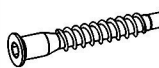




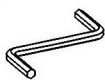




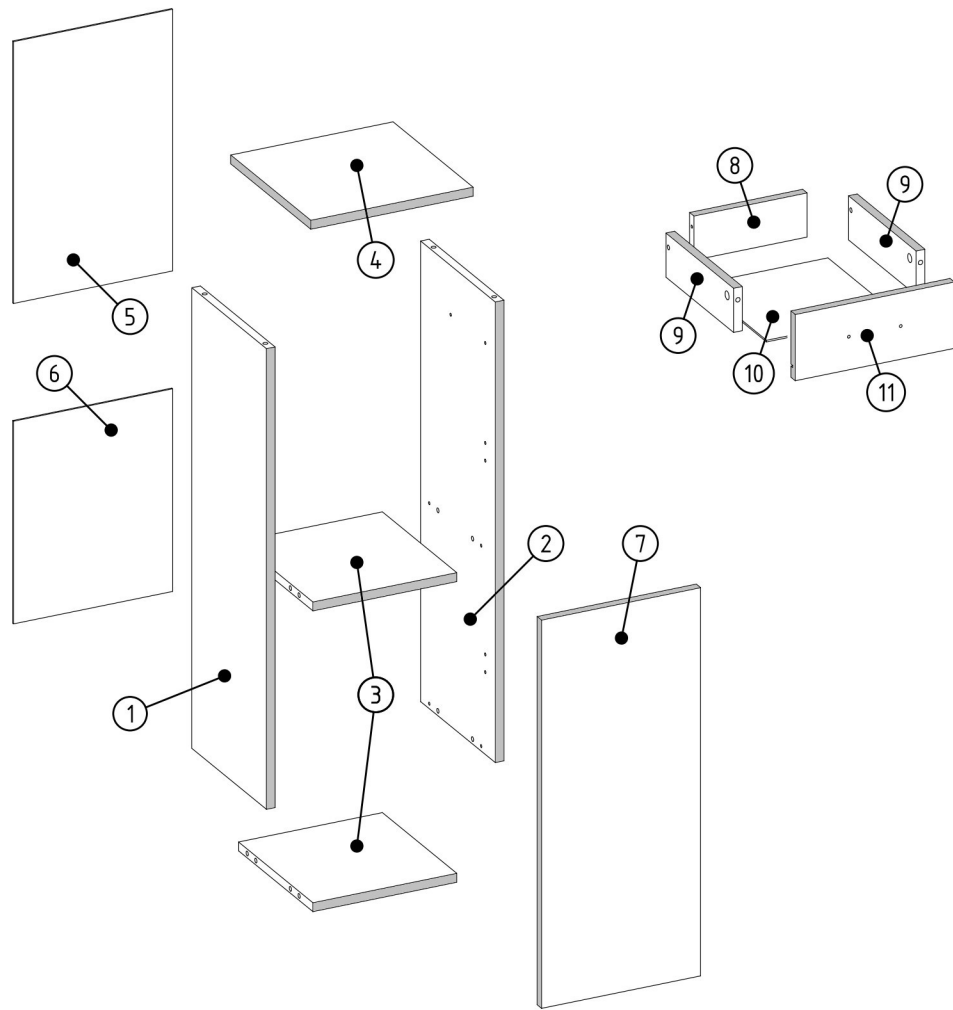
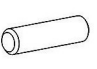

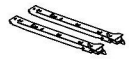


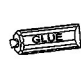


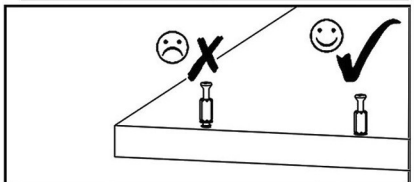
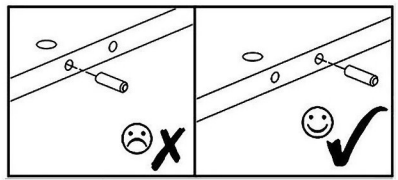
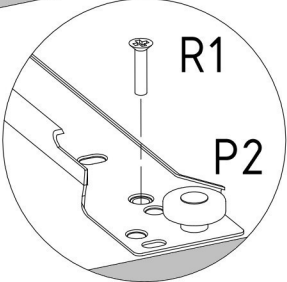
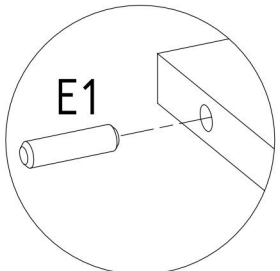
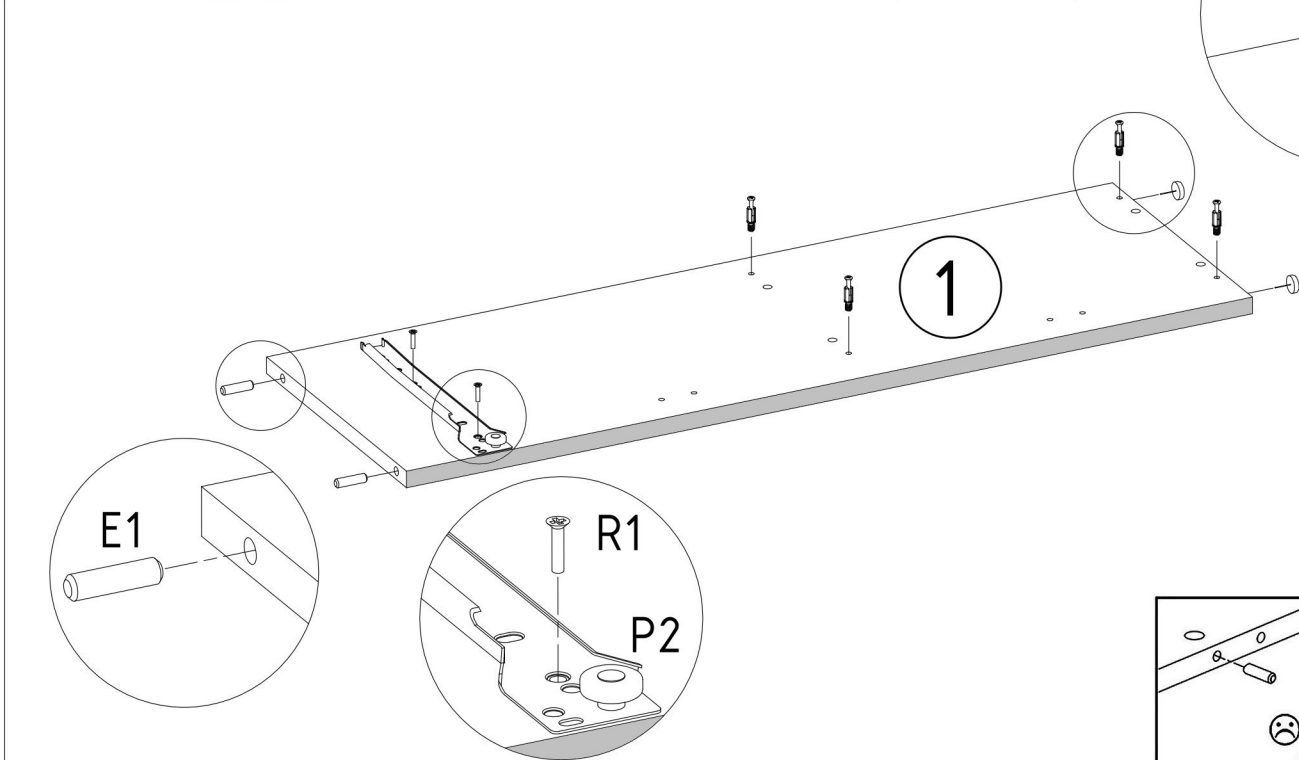
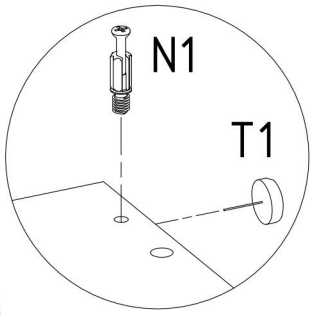
V12  x1	Z1  x50	A1  x2	U3  L=150/96mm x2	V15  x5	S1  3,5x16mm x8	F1  7x50mm x2	S3  4x30mm x4
B1  ø17/5-4mm x2	E1  8x30mm x12	N1  L=35mm x10	F3  x1	P2  L=250mm x1	R1  6x8mm x4	T1  x4	M1  12x15mm x10

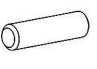







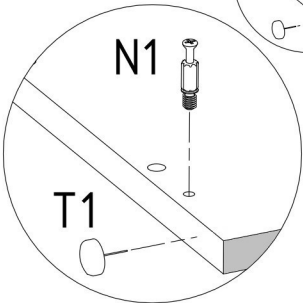
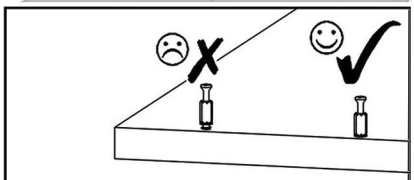
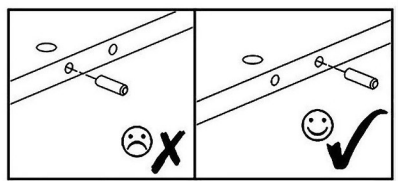
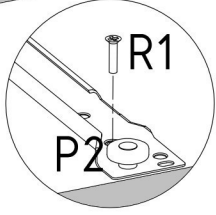
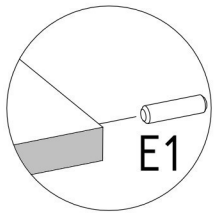
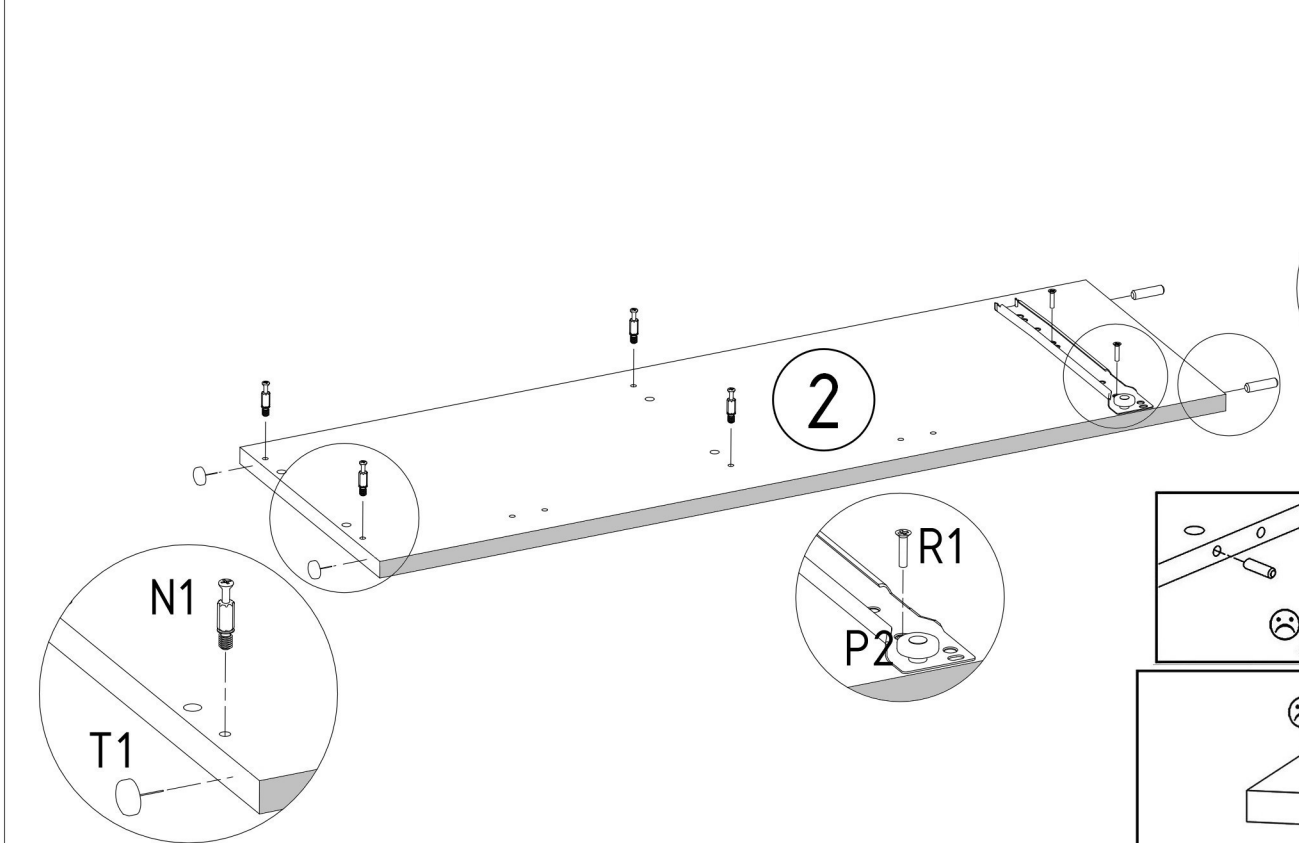
1	x	1
2	x	1
3	x	2
4	x	1
5	x	1
6	x	1
7	x	1
8	x	1


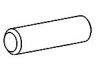
9	x	2
10	x	1
11	x	1

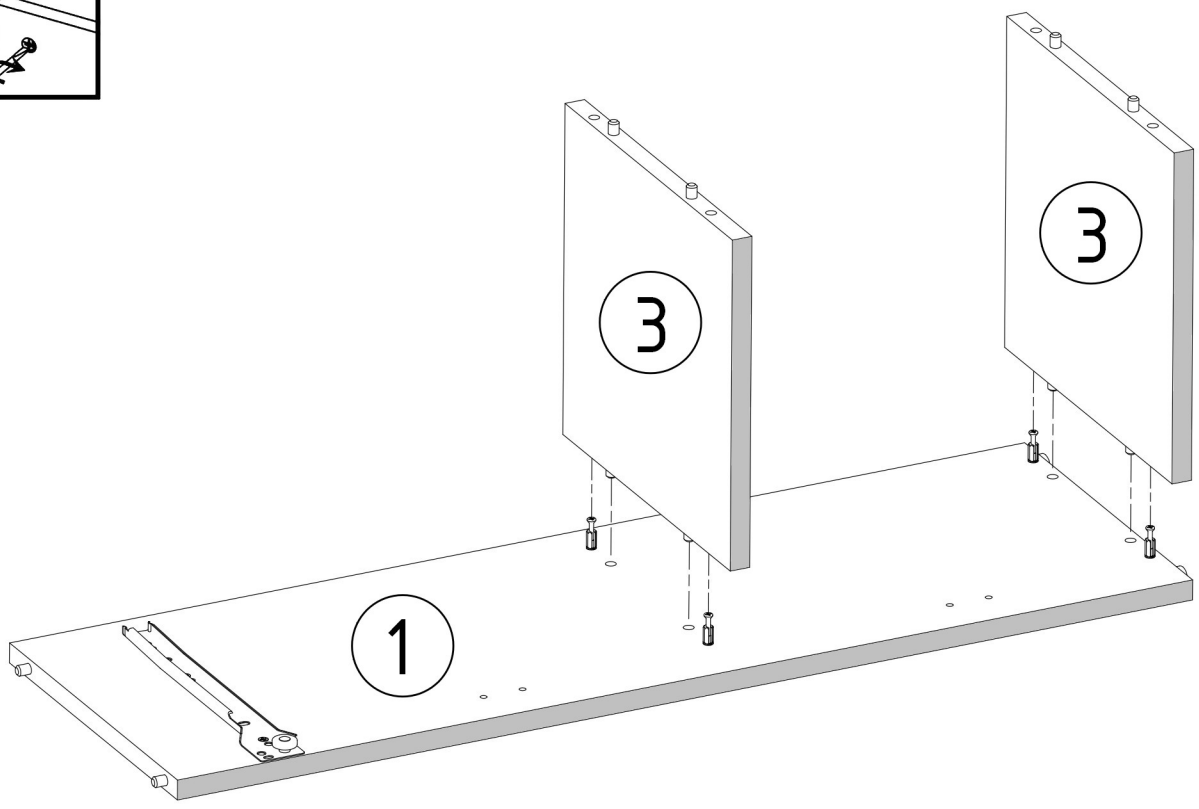
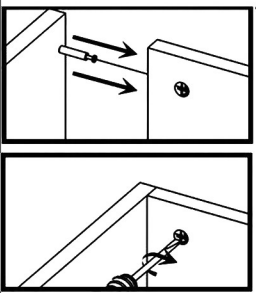
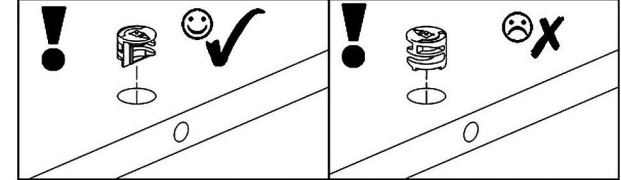
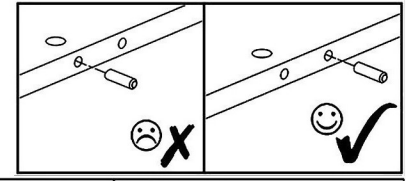
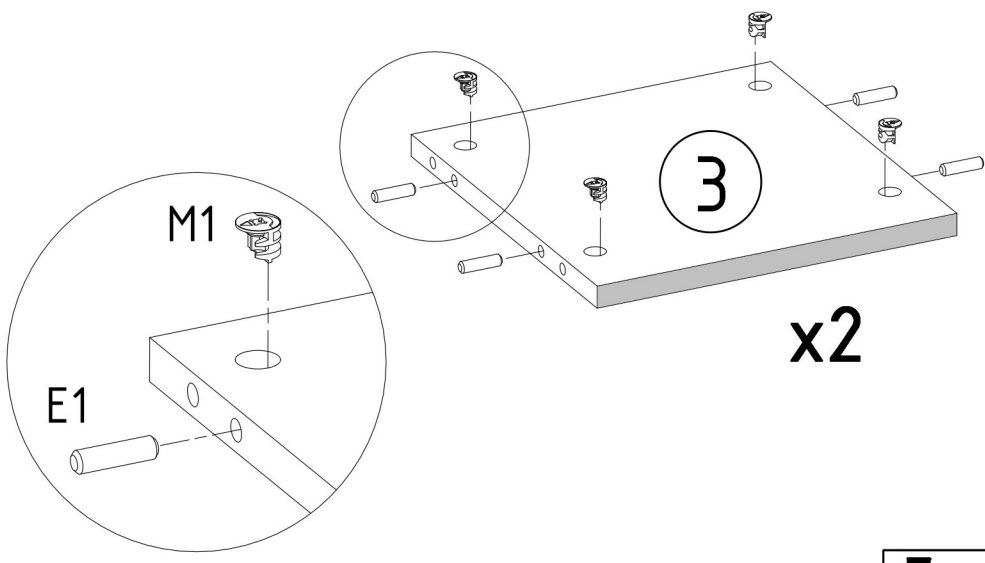
E1  8x30mm	N1  L=35mm	P2  L=250mm	R1  6x8mm	T1 	V12  GLUE
x2	x4	x1	x2	x2	

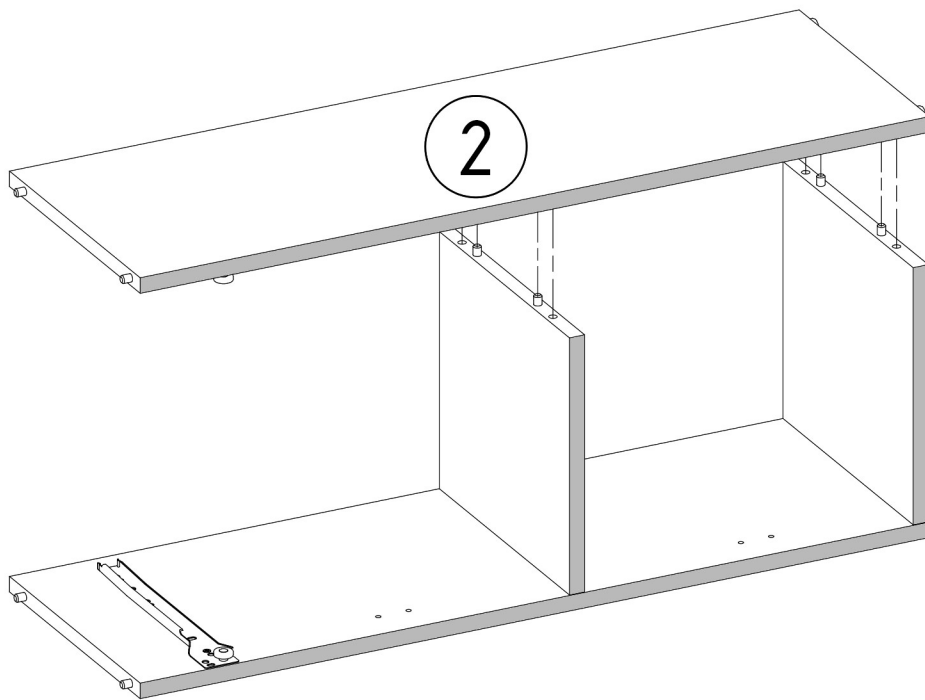
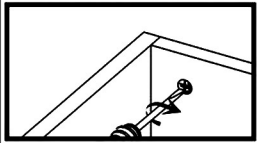
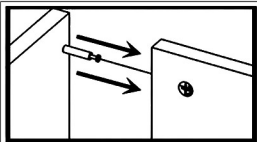


E1  8x30mm	N1  L=35mm	P2  L=250mm	R1  6x8mm	T1 	V12  GLUE
x2	x4	x1	x2	x2	

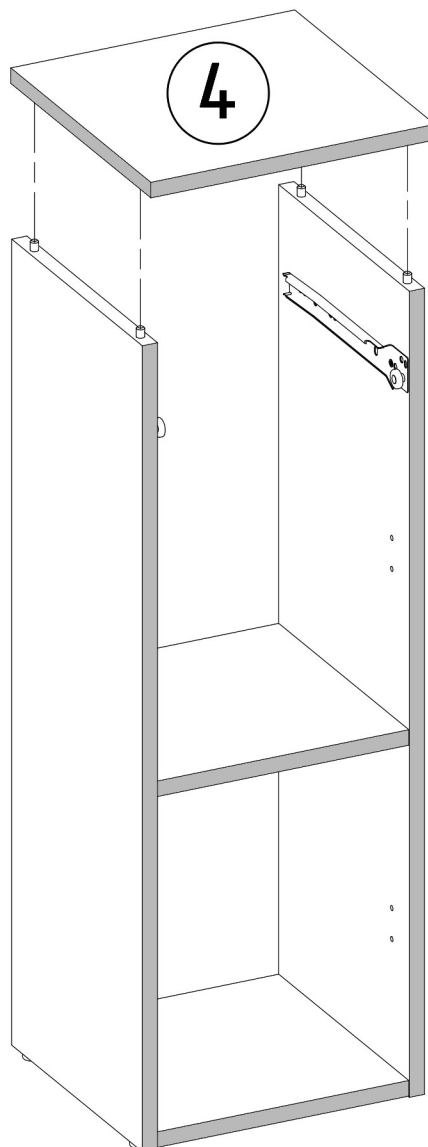


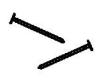

M1  12x15mm	E1  8x30mm
--	--

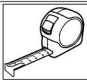
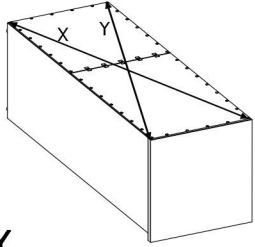




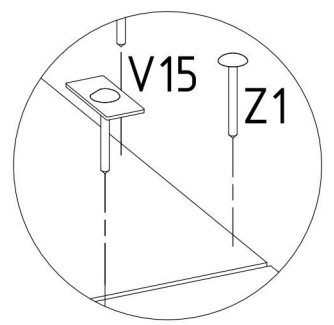
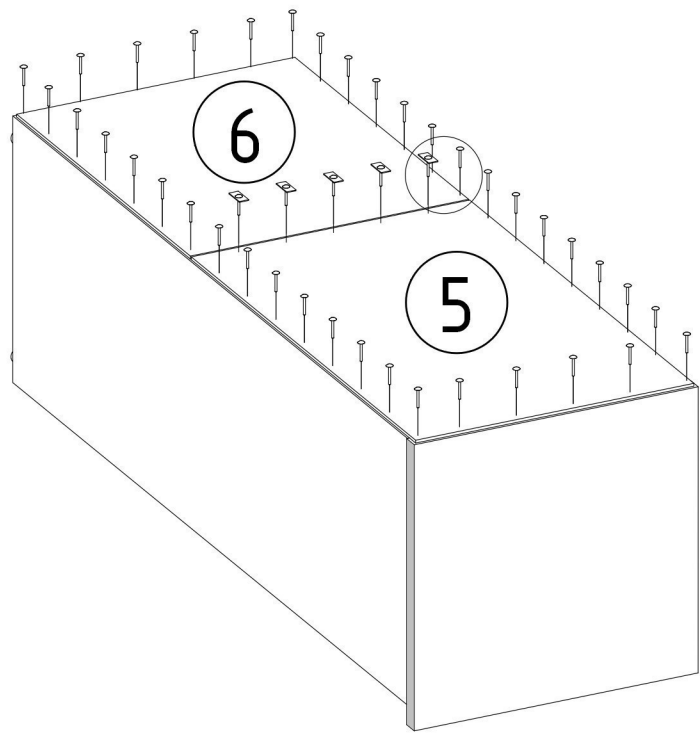
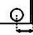
V12



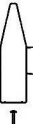
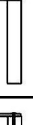

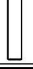
<p>Z1</p>  <p>x46</p>	<p>V15</p>  <p>x5</p>
--	---








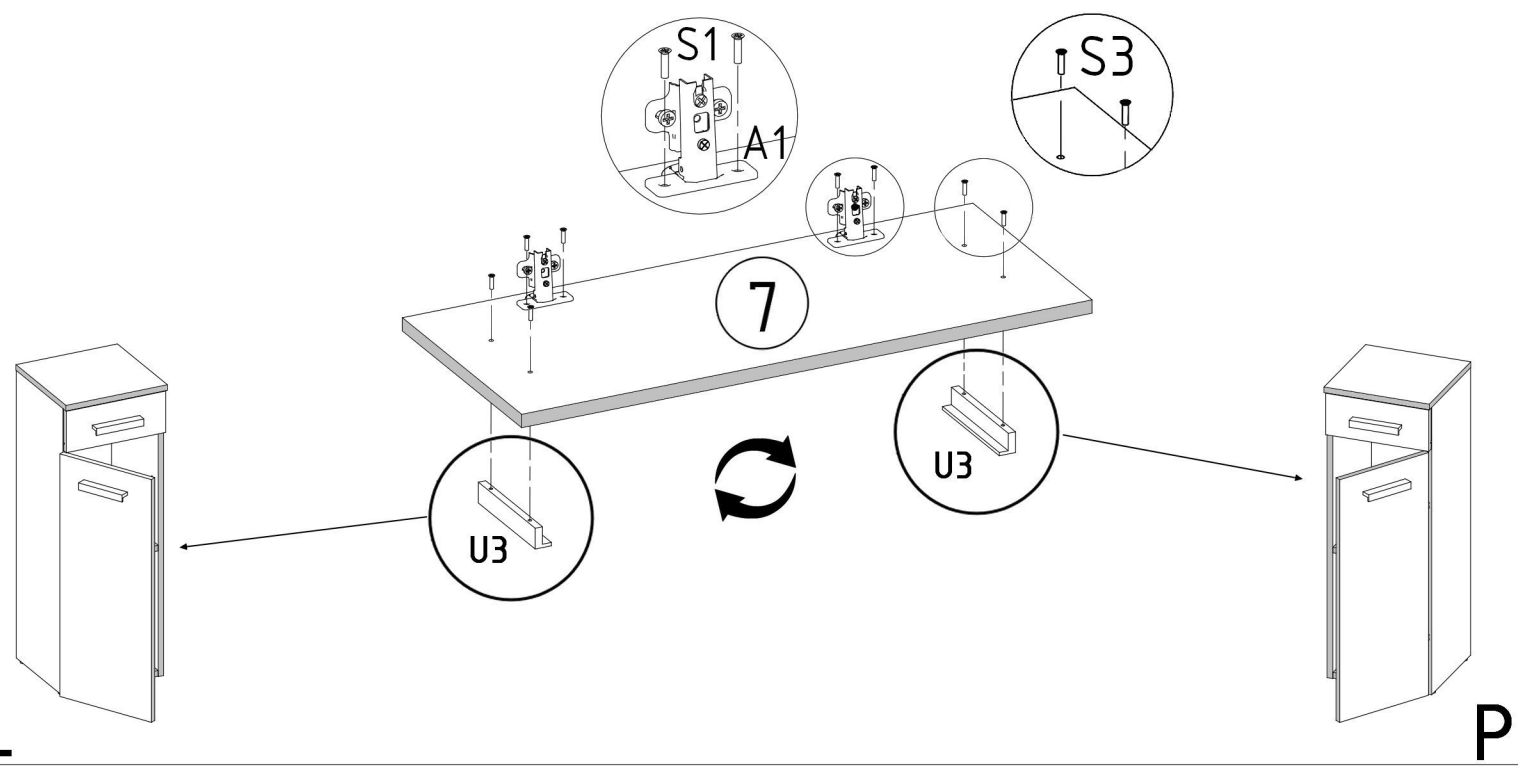
X=Y


8 mm

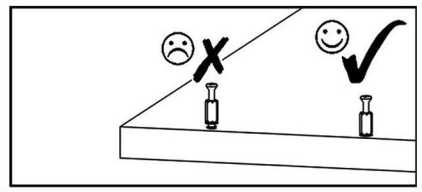
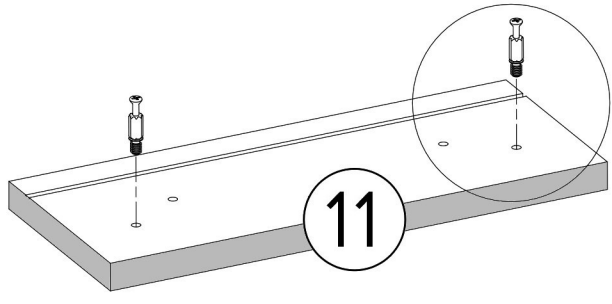
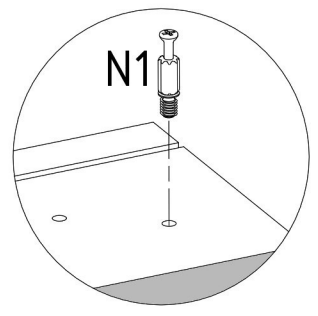
<p>S1</p>  <p>3,5x16mm x4</p>	<p>U3</p>  <p>L=150/96mm x1</p>	<p>A1</p>  <p>ZP x2</p>	<p>S3</p>  <p>4x30mm x2</p>
--	---	---	---




N1



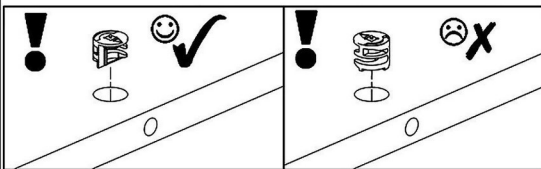
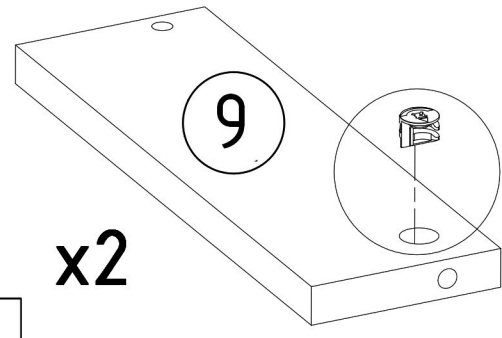
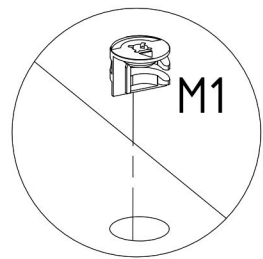
L=35mm x2



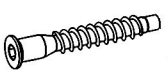
M1



12x15mm x2

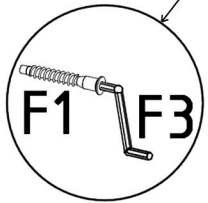
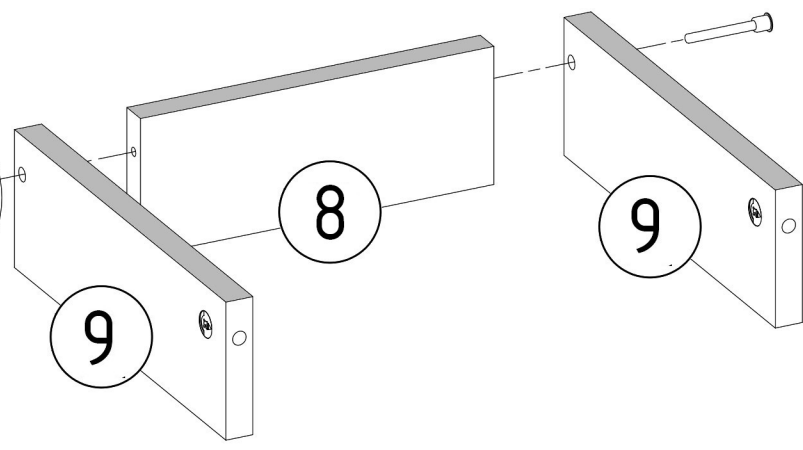
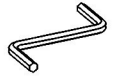





F1



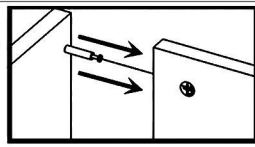
7x50mm x2

F3

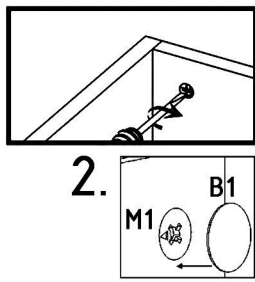
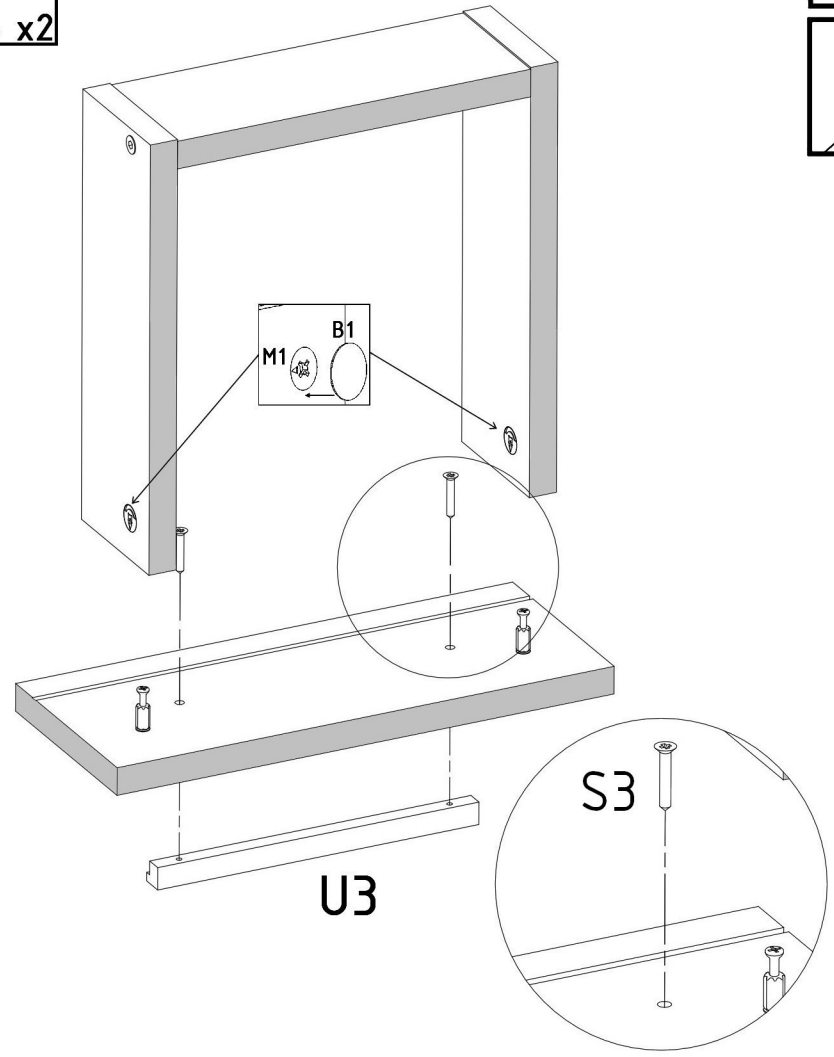




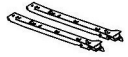
<p>U3</p>  <p>L=150/96mm X1</p>	<p>S3</p>  <p>4x30mm X2</p>	<p>B1</p>  <p>ø17/5-4mm X2</p>
---	--	---

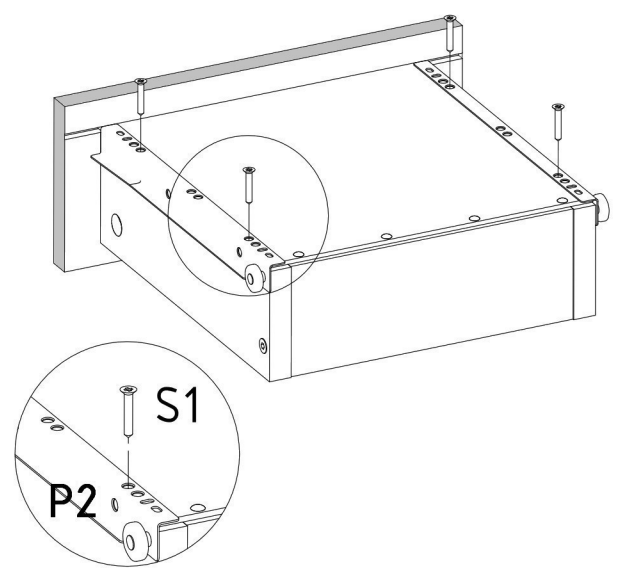
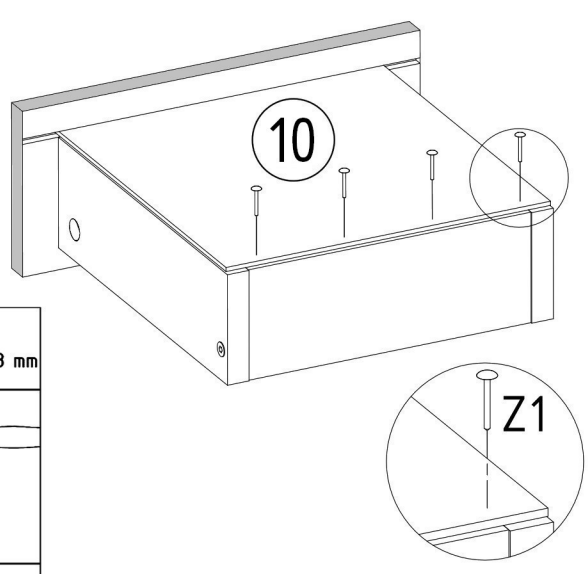
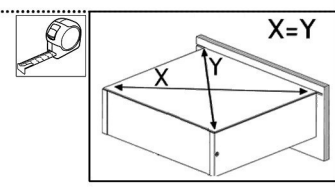
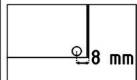
1.



2.

<p>Z1</p>  <p>X4</p>	<p>S1</p>  <p>3,5x16mm X4</p>	<p>P2</p>  <p>L=250mm X1</p>
--	--	---

ø8 mm

