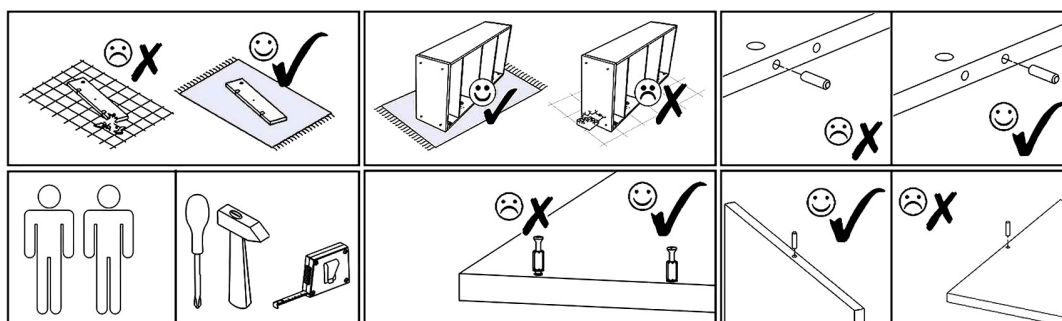
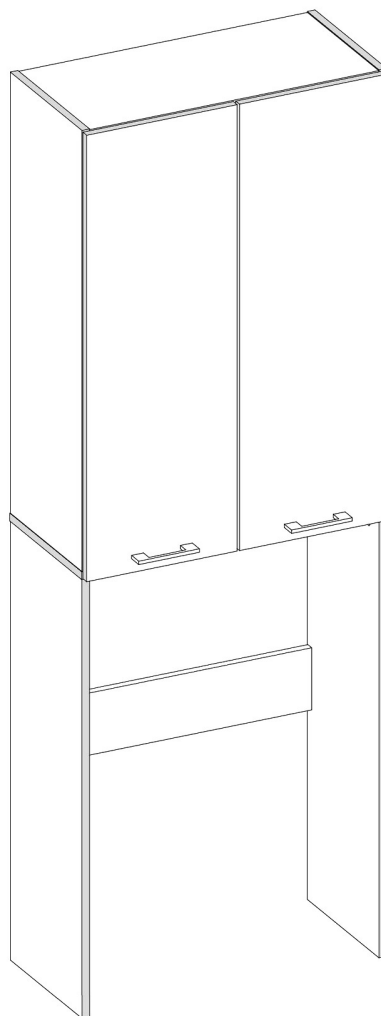
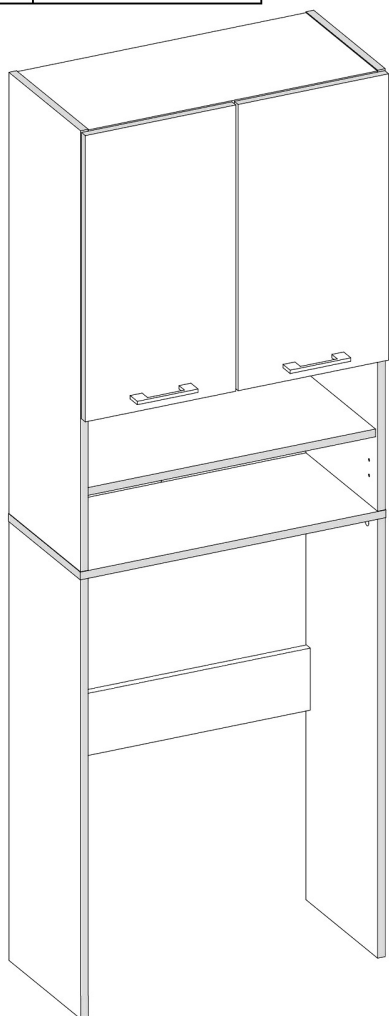


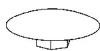
POLA

PRODUCTION DATE

PACKING CODE



B2



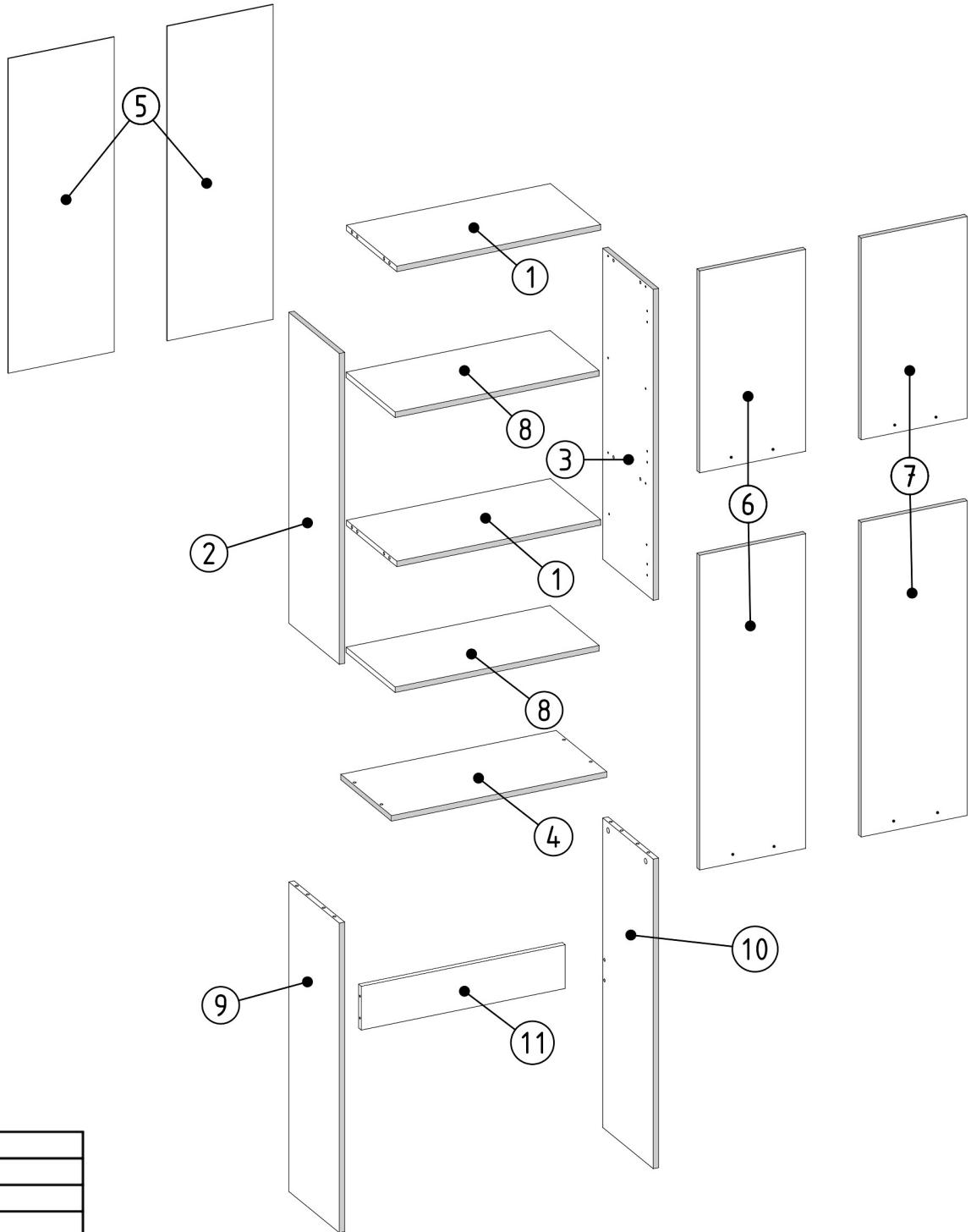
S/A
ø12/4mm x4

<p>B2</p> <p>B ø12/4mm x4</p>	<p>V32</p> <p>L=860mm x1</p>	<p>T1</p> <p>x4</p>	<p>B1</p> <p>S/A ø17/4mm x12</p>	<p>B1</p> <p>Ant ø17/4mm x12</p>	<p>B3</p> <p>S/A ø7-8/5mm x4</p>	<p>B3</p> <p>Ant ø7-8/5mm x4</p>	<p>B2</p> <p>Ant ø12/4mm x4</p>
<p>N1</p> <p>L=35mm x12</p>	<p>M1</p> <p>12x15mm x12</p>	<p>A1</p> <p>ZP x4</p>	<p>S1</p> <p>3,5x16mm x8</p>	<p>E1</p> <p>8x30mm x12</p>	<p>B1</p> <p>B ø17/4mm x12</p>	<p>U5</p> <p>L=137/96mm x2</p>	<p>V12</p> <p>x1</p>
<p>Z1</p> <p>x60</p>	<p>F1</p> <p>7x50mm x8</p>	<p>V16</p> <p>5x16mm x8</p>	<p>F3</p> <p>Hex 4mm x1</p>	<p>R7</p> <p>4x27mm x4</p>	<p>B3</p> <p>B ø7-8/5mm x4</p>	<p>V28</p> <p>x2</p>	<p>S5</p> <p>4x30mm x6</p>


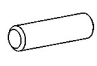
POLA

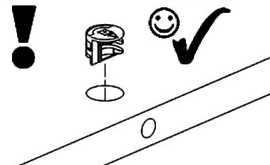




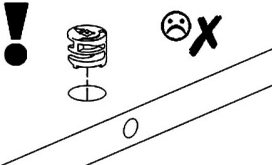




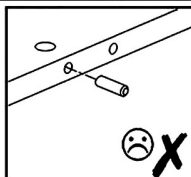




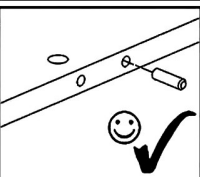




PRODUCTION DATE

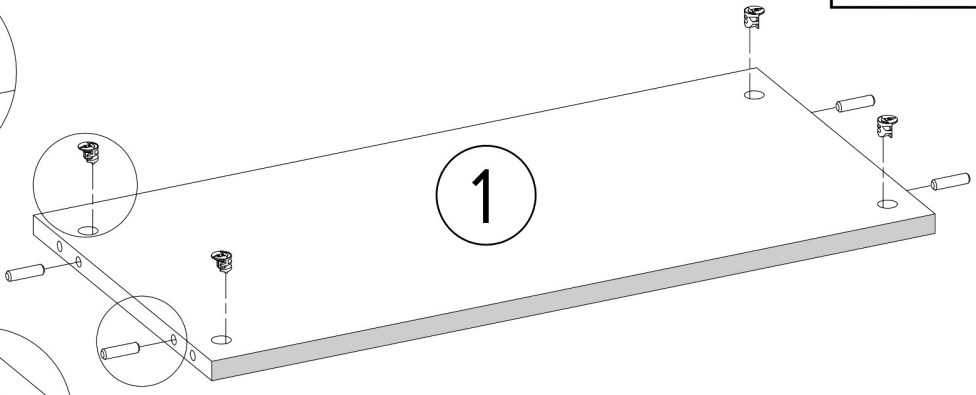
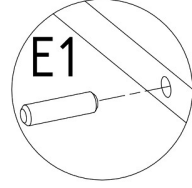
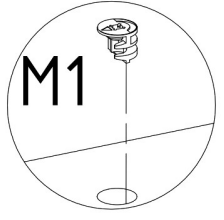
PACKING CODE



000130	11	1
000224	10	1
000223	9	1
000129	8	2
000213	7	1
000118	7	1
000212	6	1
000117	6	1
000211	5	2
000138	4	1
000209	3	1
000208	2	1
000128	1	2
ID	NUMBER	QUANTITY


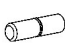
M1  12x15mm x8	E1  8x30mm x8
--	---

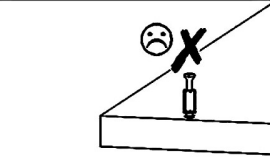








 !    	 !    
    	    

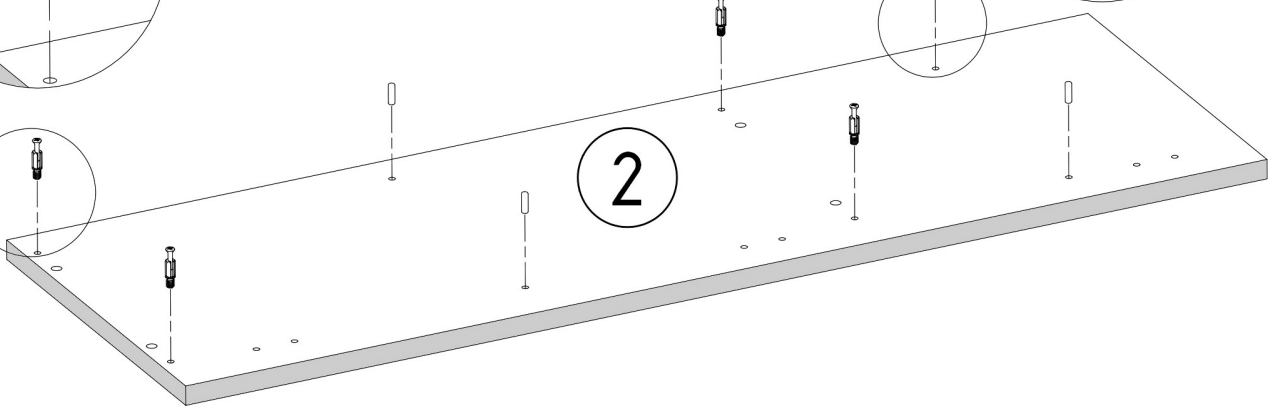
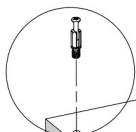
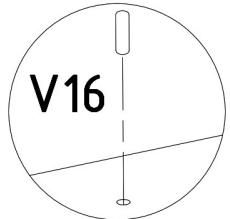
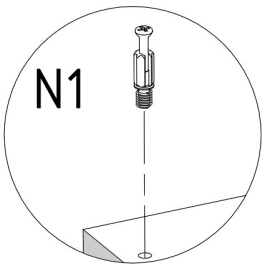


1


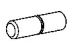
x2

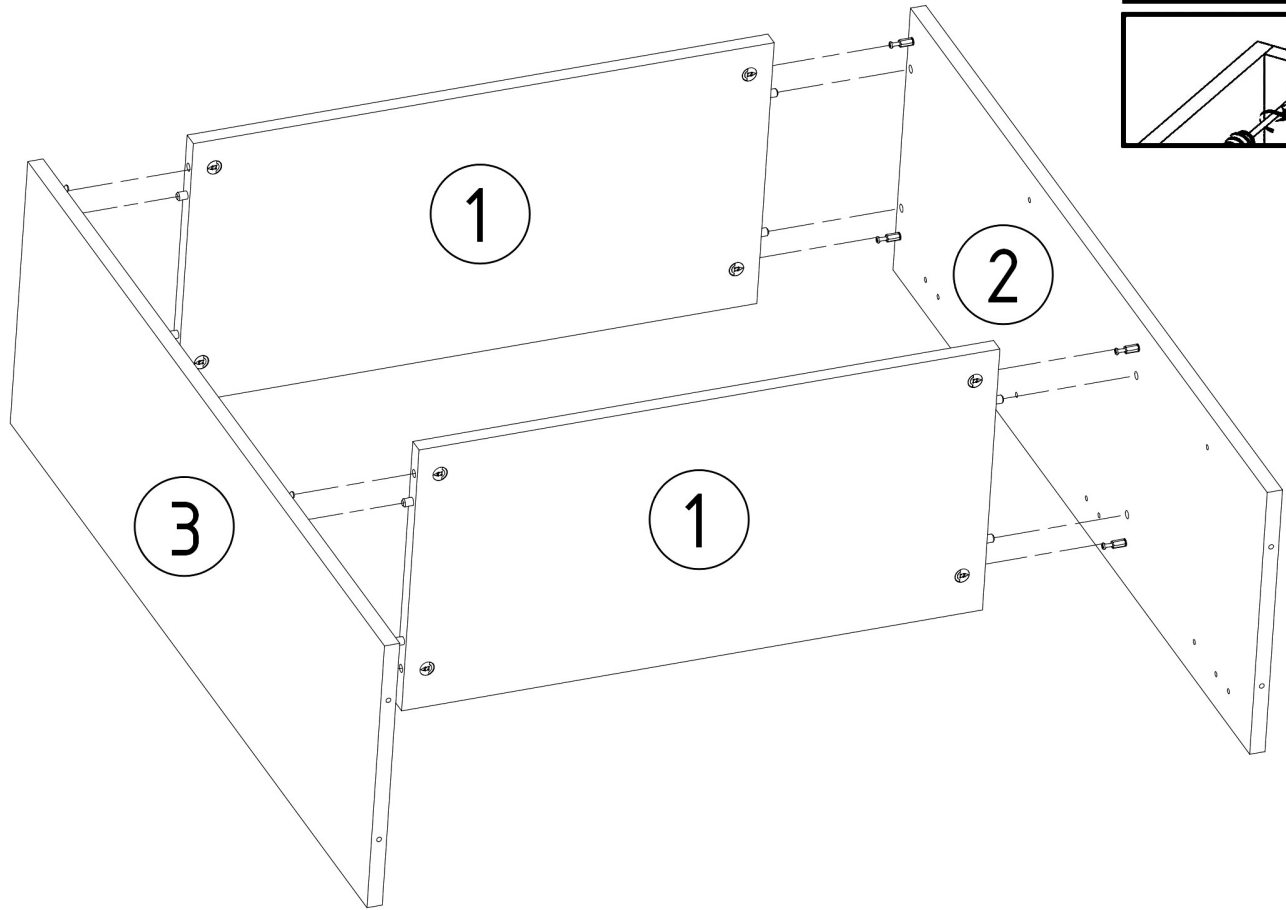
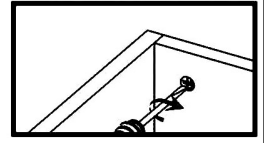
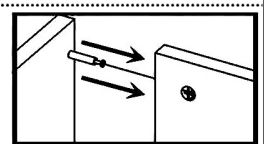
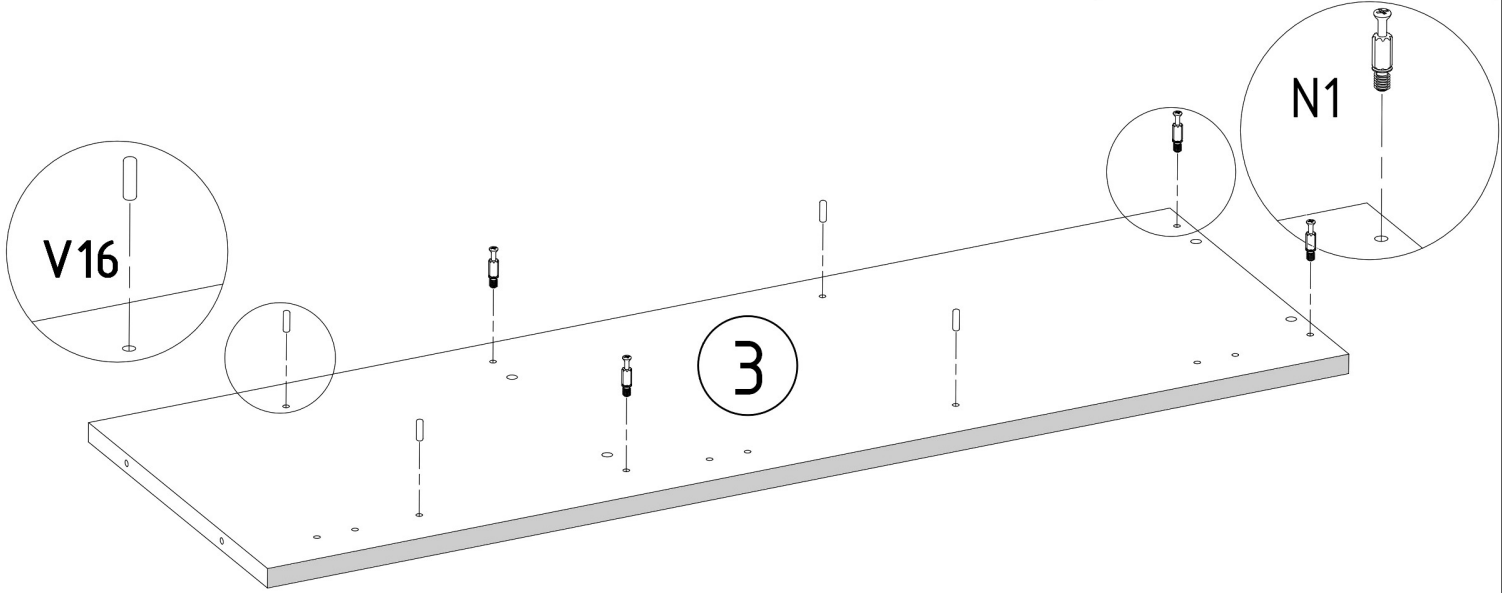
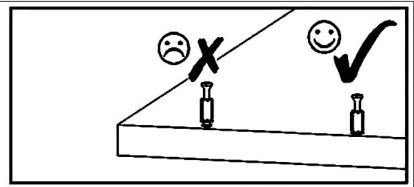
N1  L=35mm x4	V16  5x16mm x4
---	---

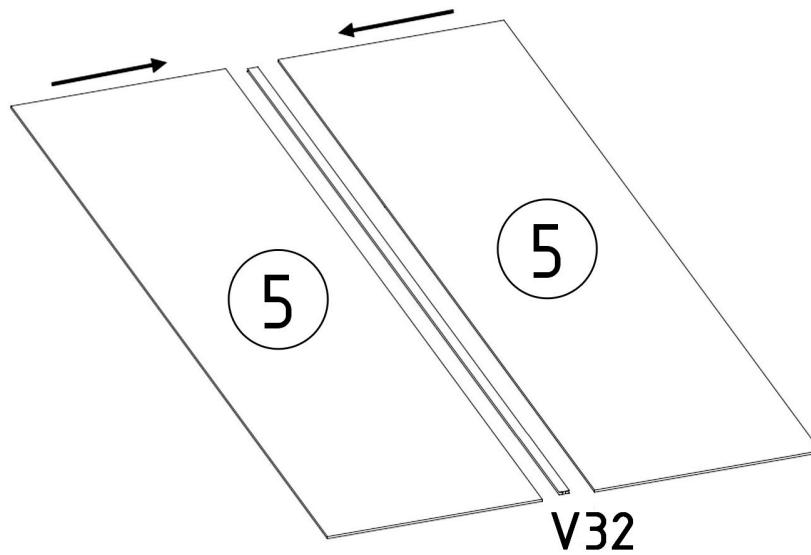
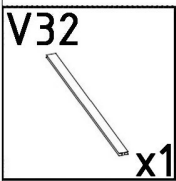
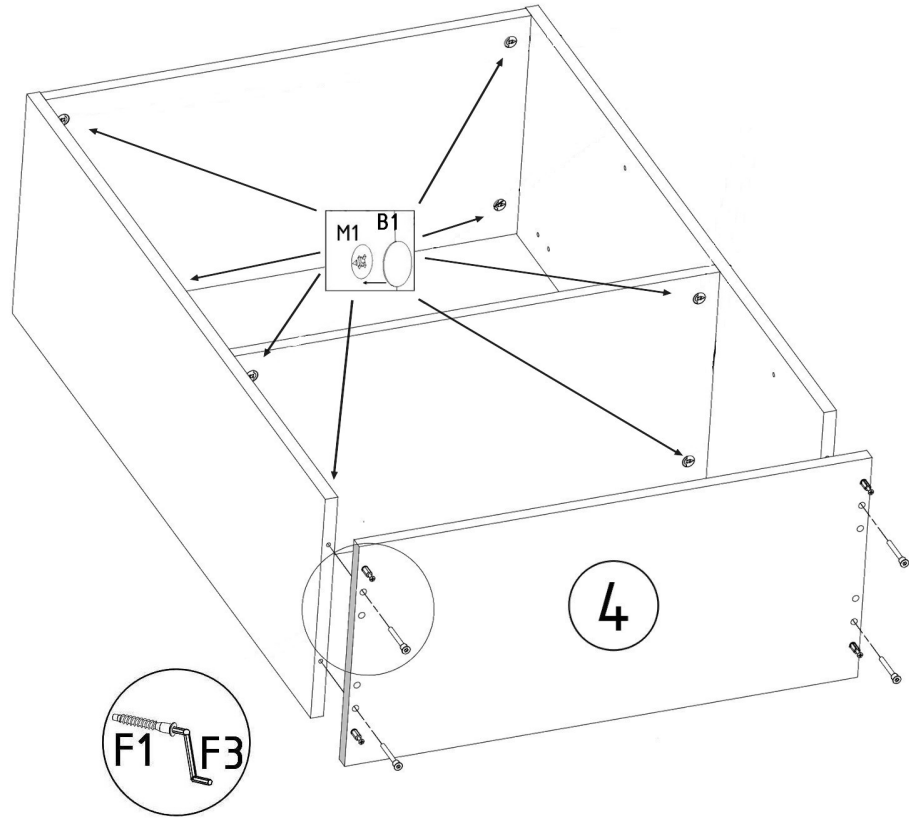
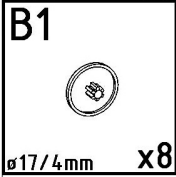
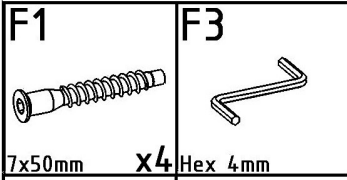
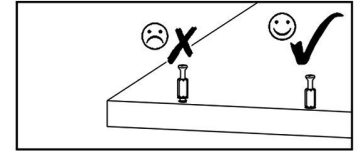
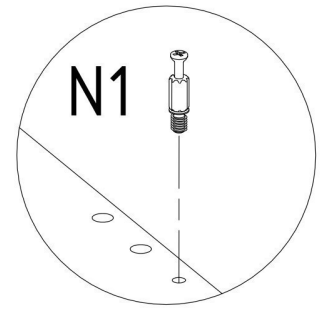
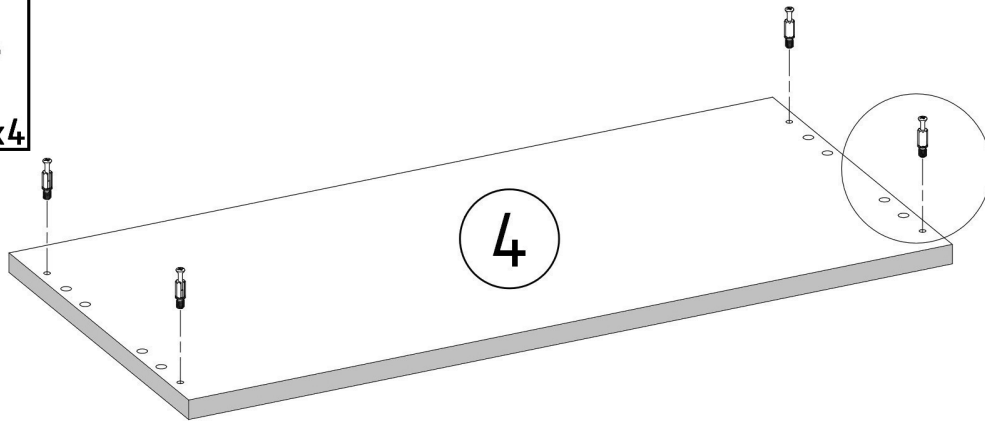
    	   
--	--




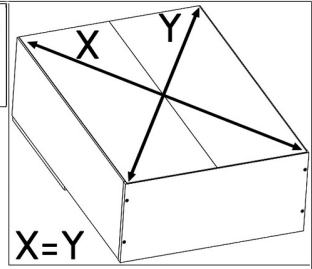
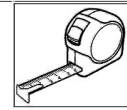

2

N1  L=35mm X4	V16  5x16mm X4
---	--

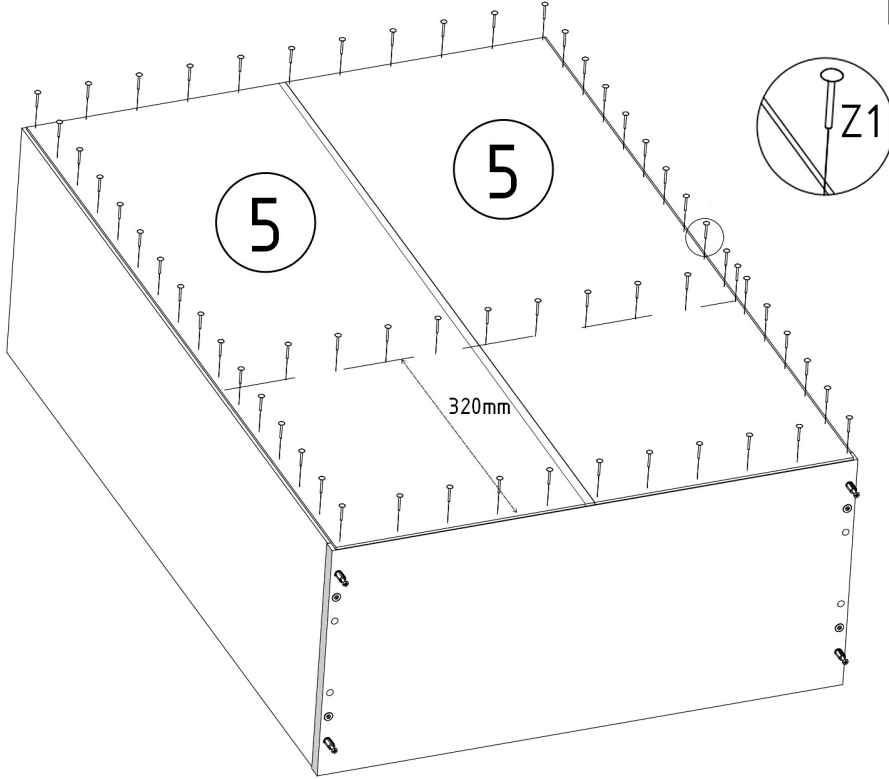


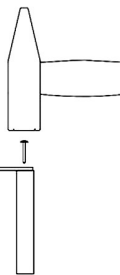





Z1
x60



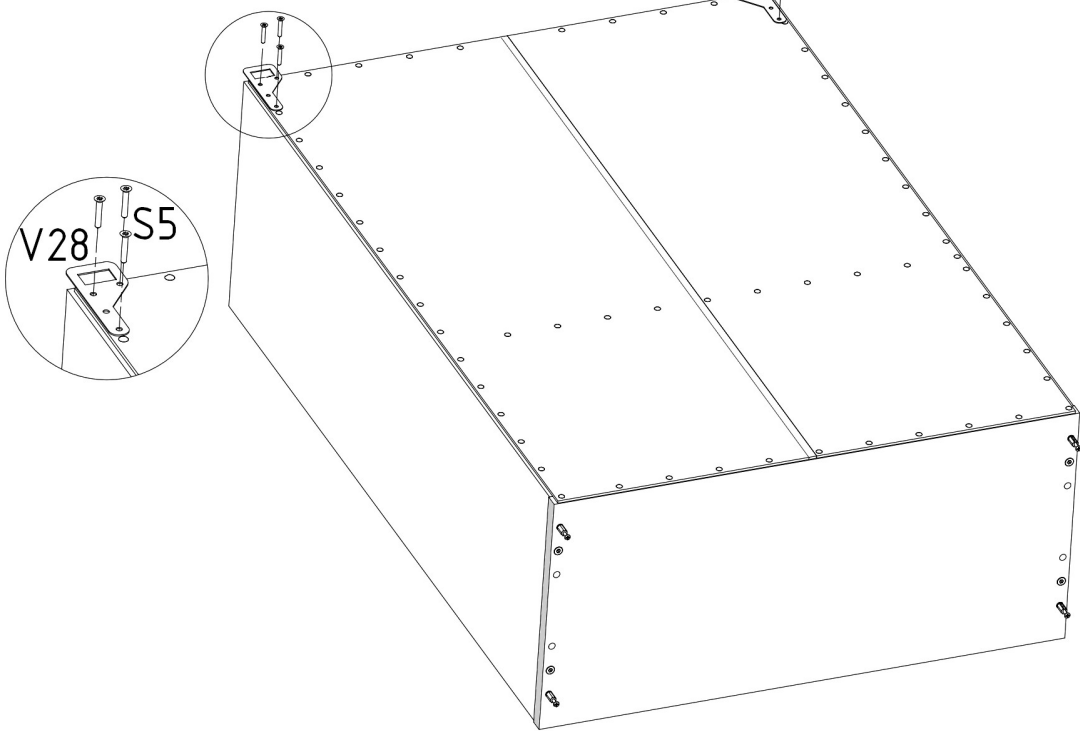
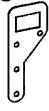
8mm

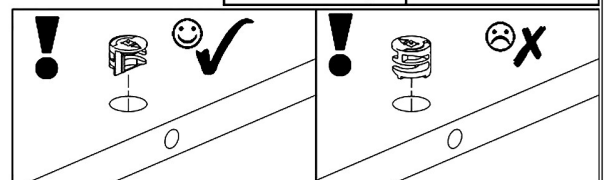
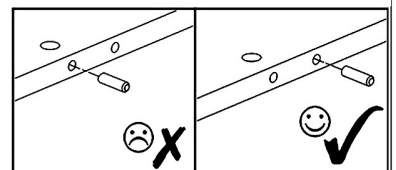
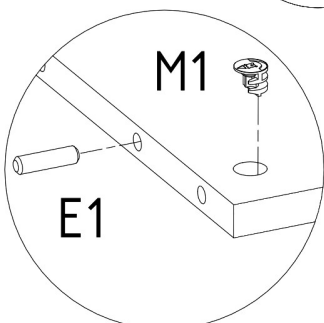
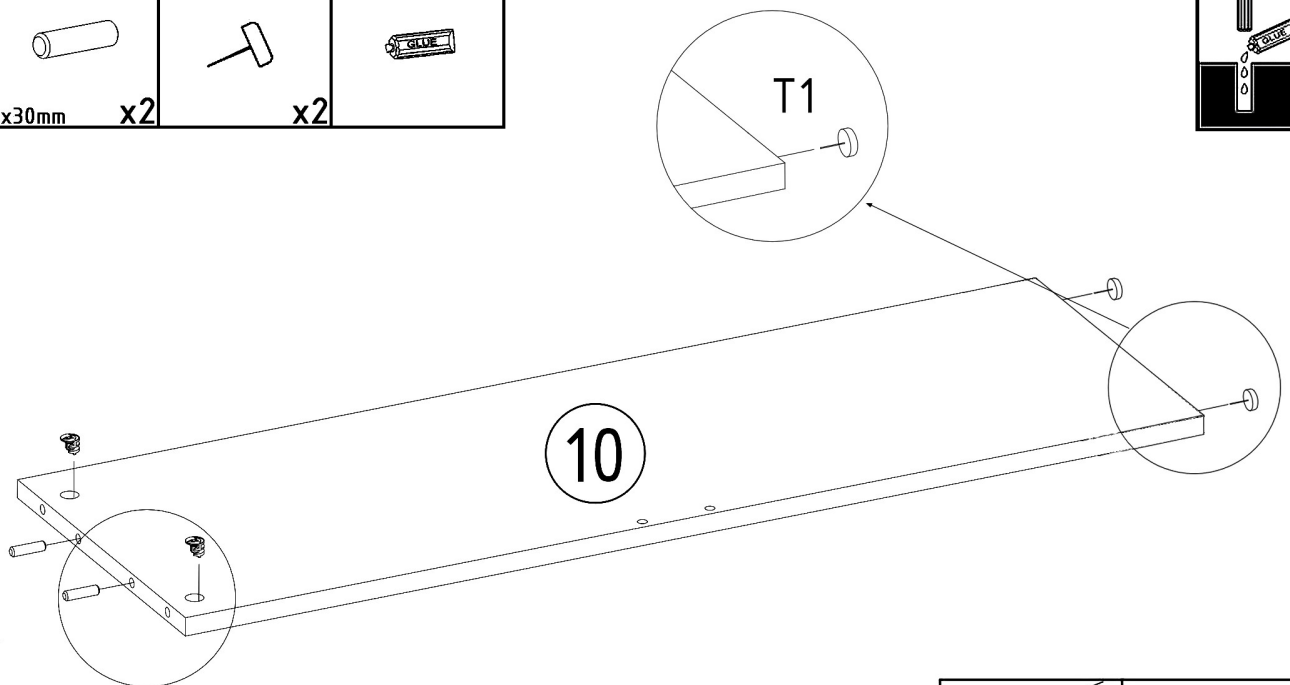
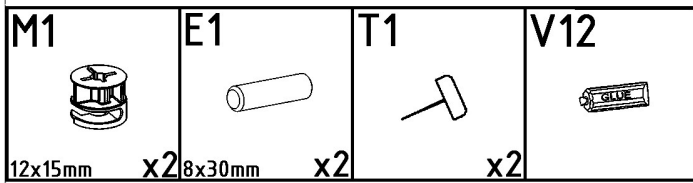
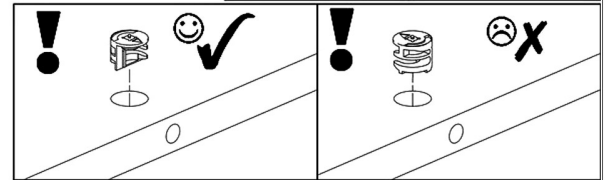
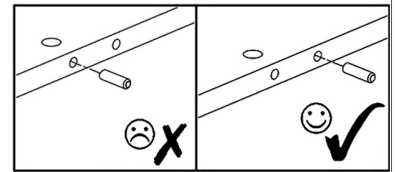
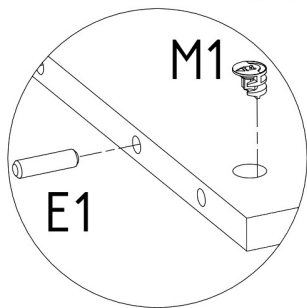
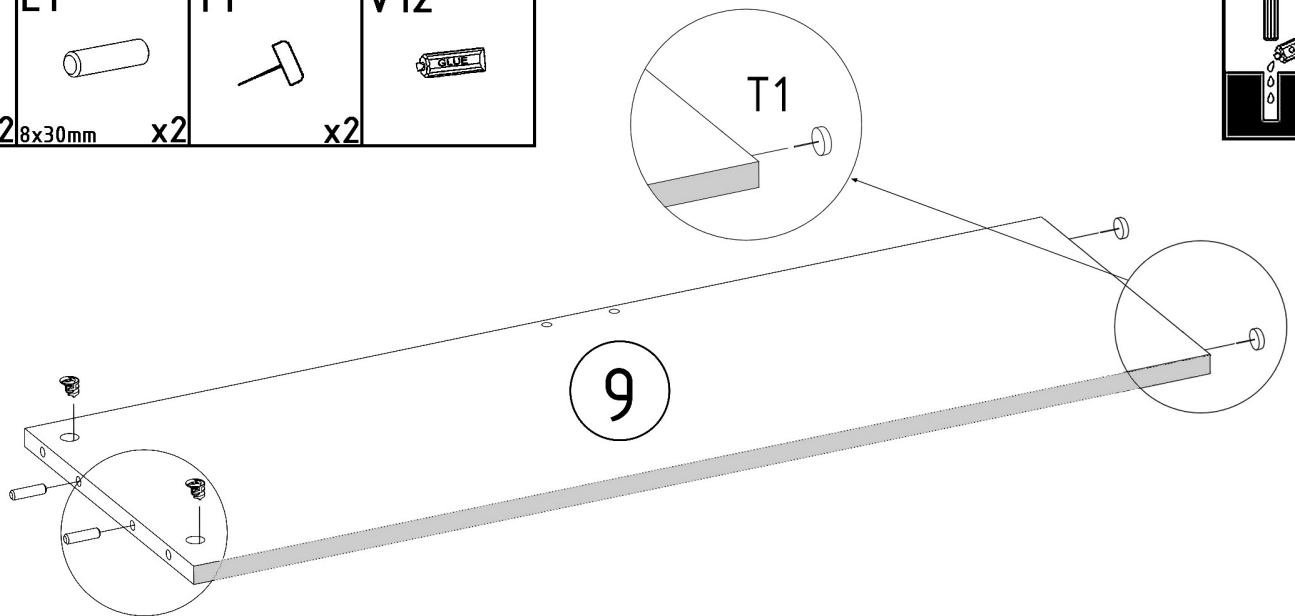
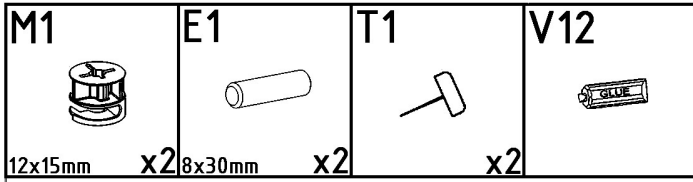


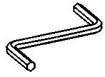
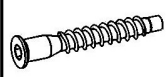
S5
4x30mm x6

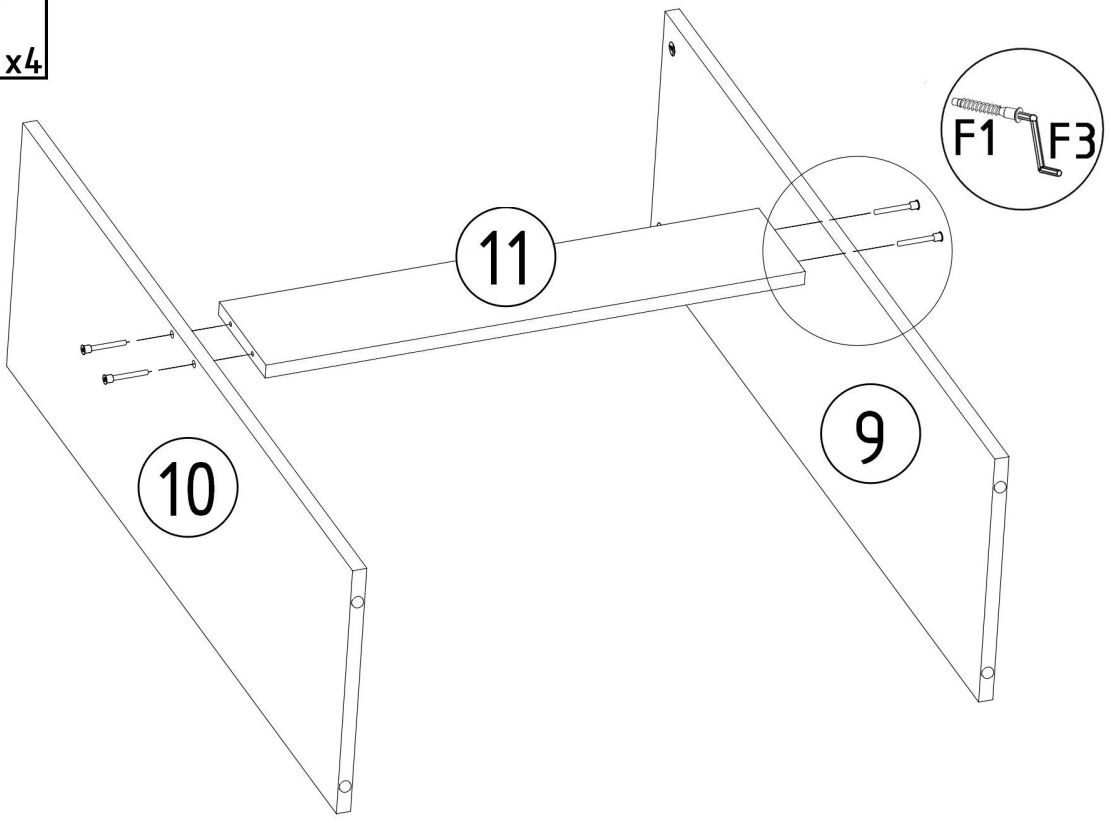




V28
x2




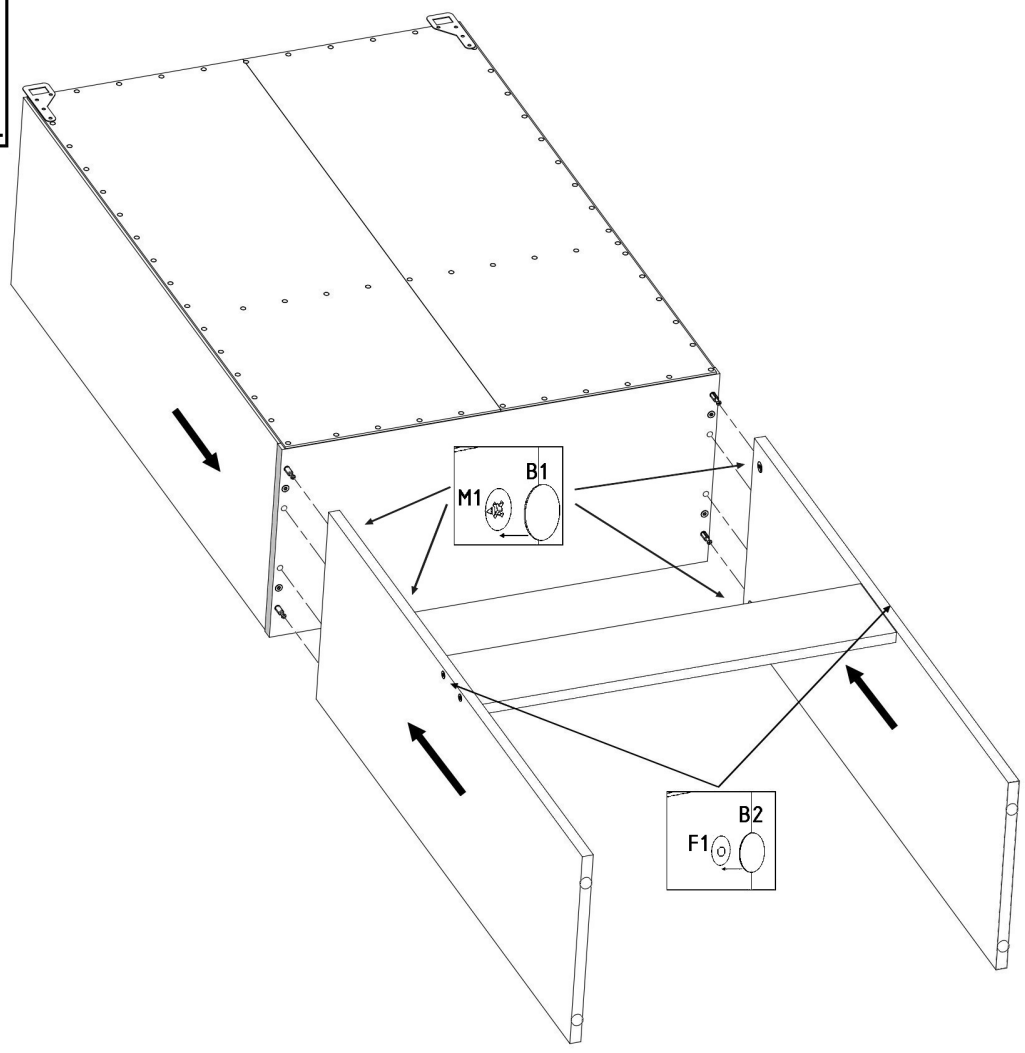




F3  Hex 4mm	F1  7x50mm x4
---	---

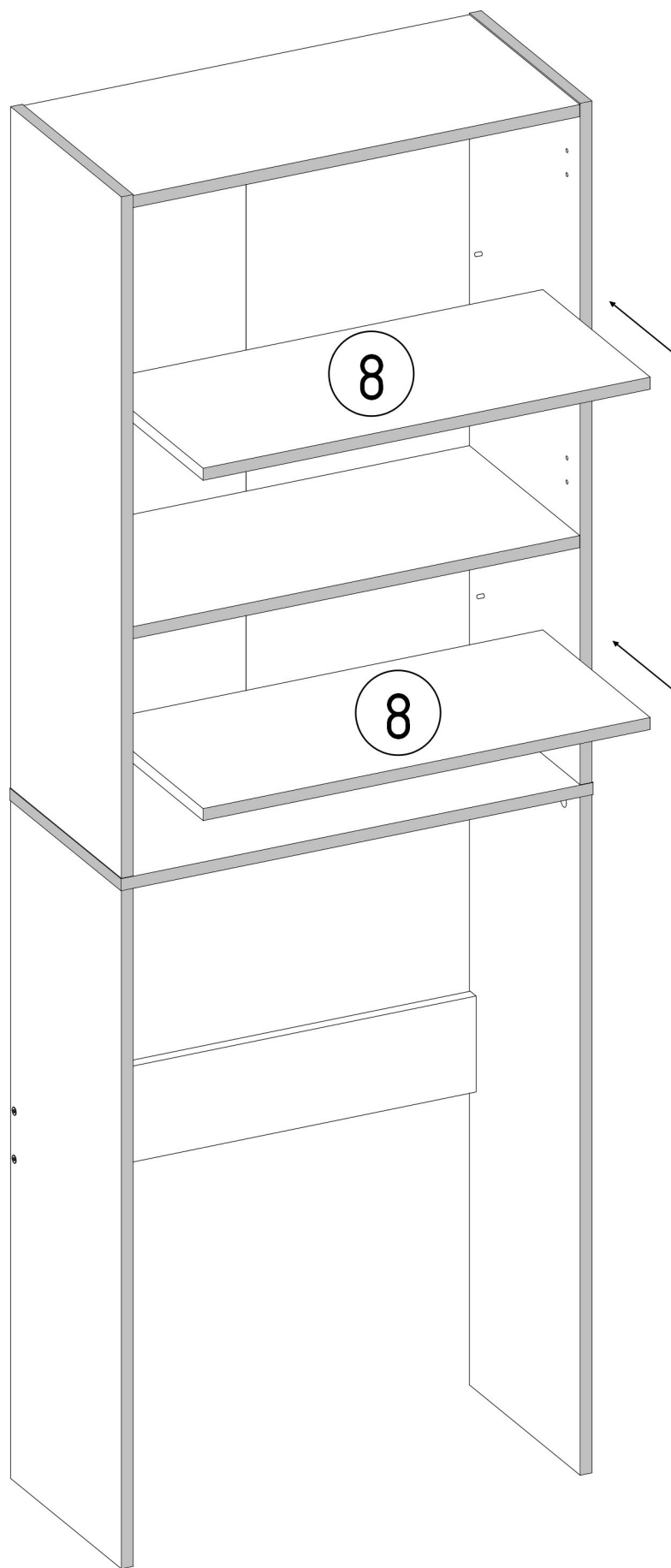




V12  GLUE	B2  ø12/4mm x4
--	---

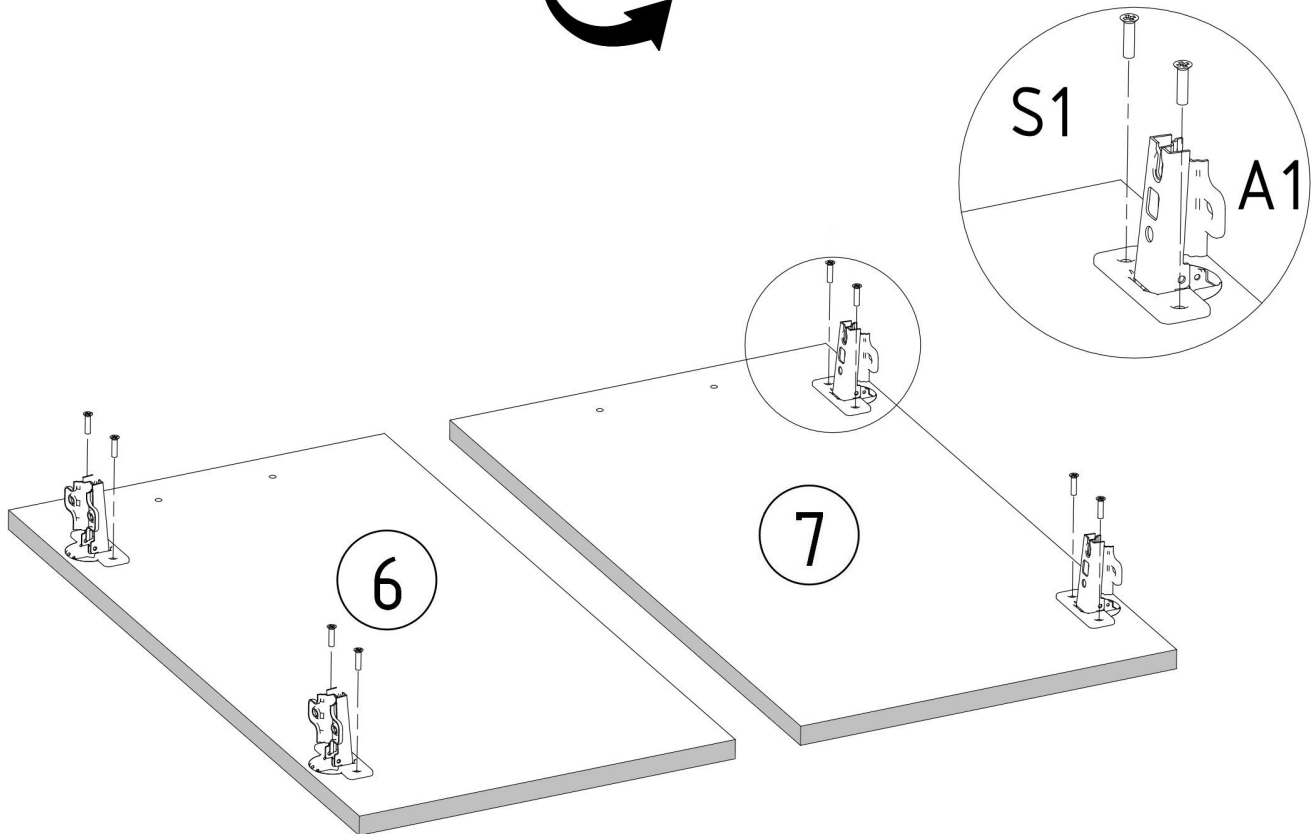
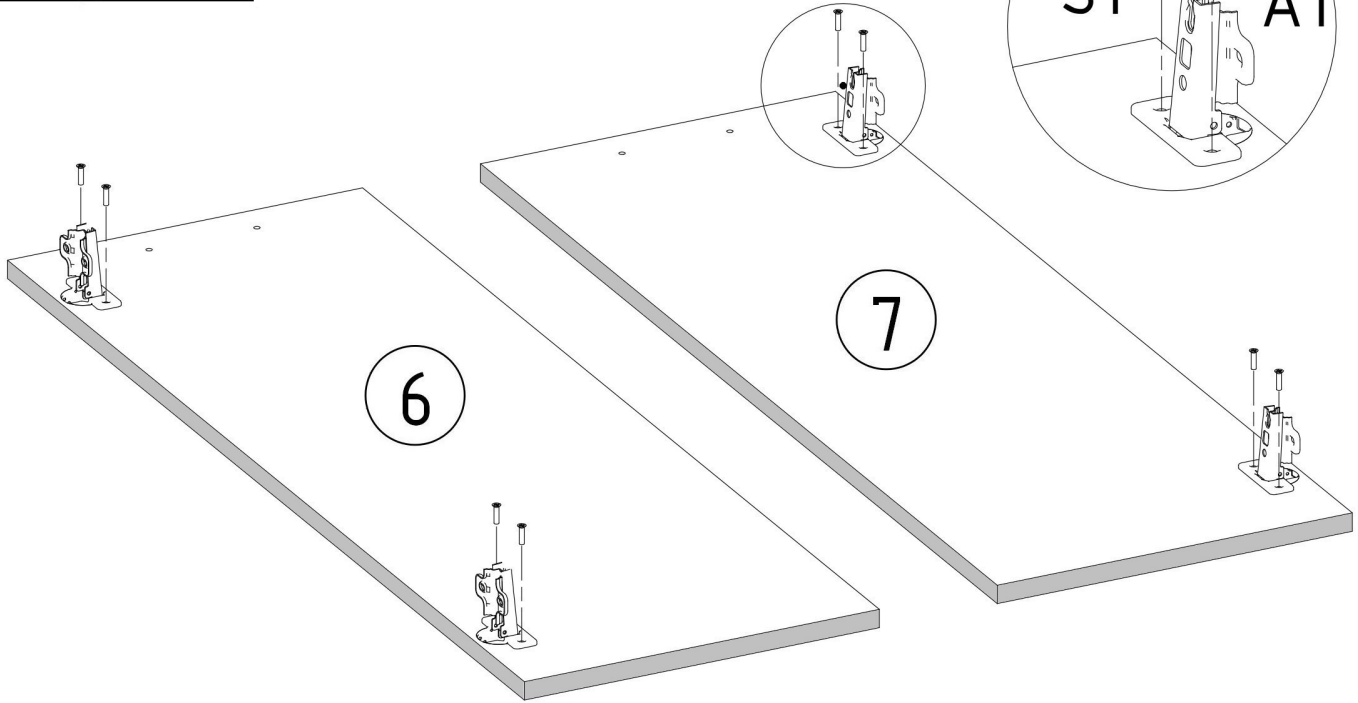
B1  ø17/4mm x4
--

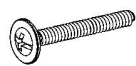




B2 	F1 
--	--



A1  ZP	S1  x4 3,5x16mm x8
--	--



R7  4x27mm X4	U5  L=137/96mm X2	B3  ø7-8/5mm X4
--	---	--

