


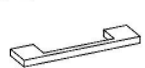







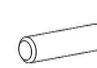




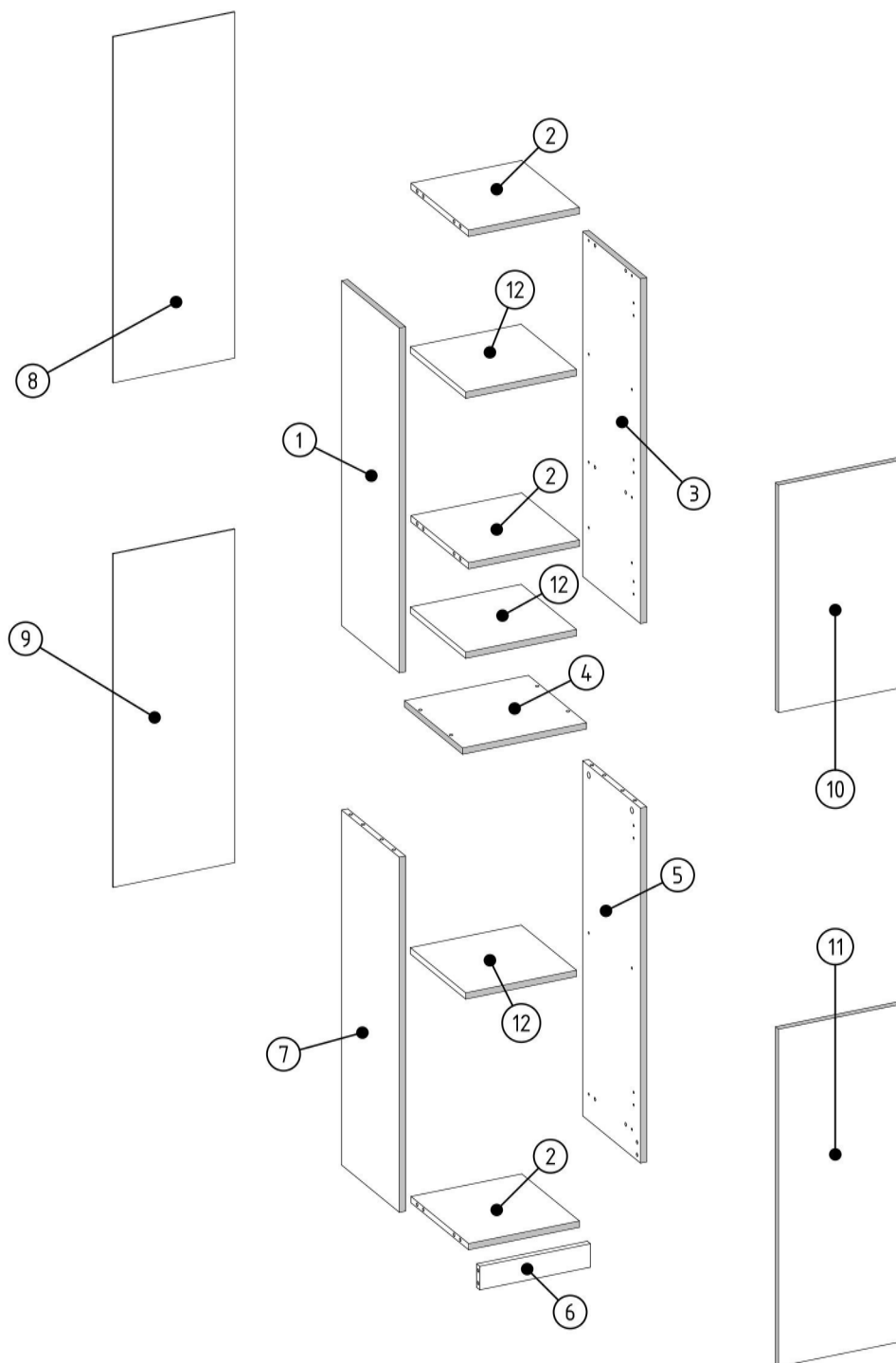

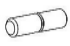



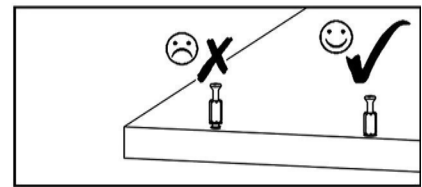
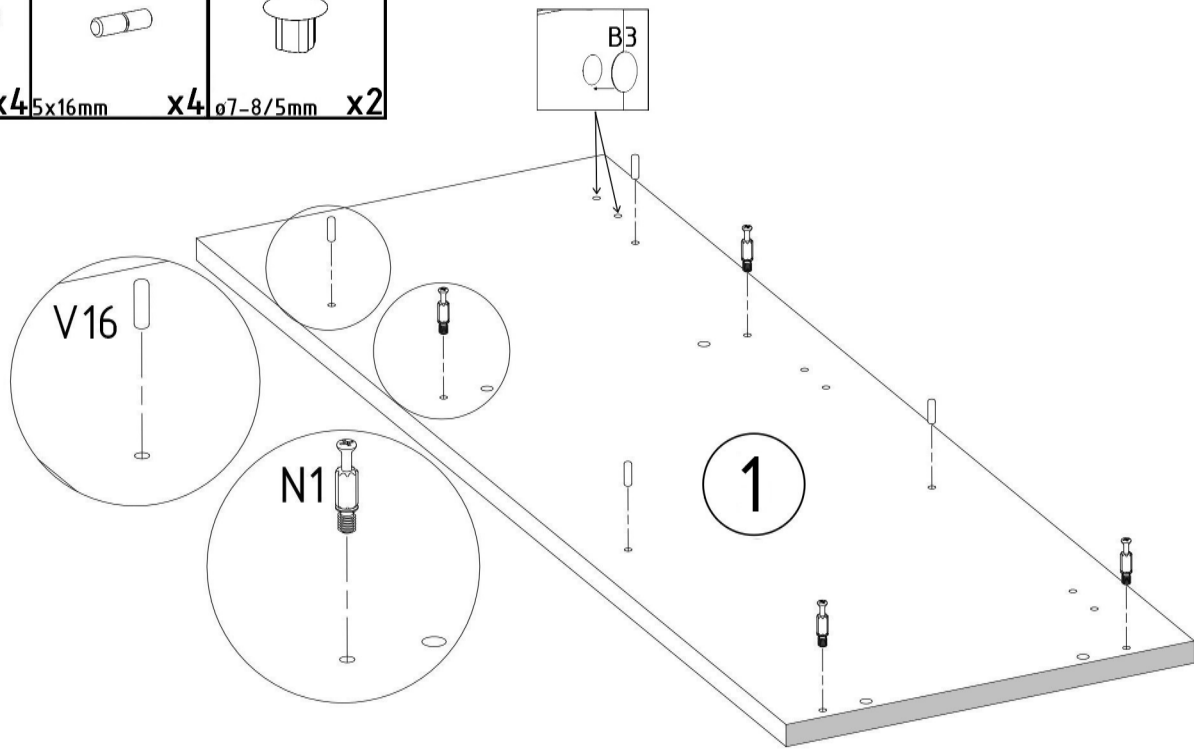
B3  B ø7-8/5mm x4	B3  S-A ø7-8/5mm x4	S2  L=96/137mm x4	U3  L=96/137mm x2	V13  x1	T1  x4	A1  ZP x4	S1  3,5x16mm x8
B1  B ø17/5-4mm x8	B1  S-A ø17/5-4mm x8	M1  12x15mm x16	E1  8x30mm x20	F1  7x50mm x4	F3  x1	Z1  x75	V15  x5





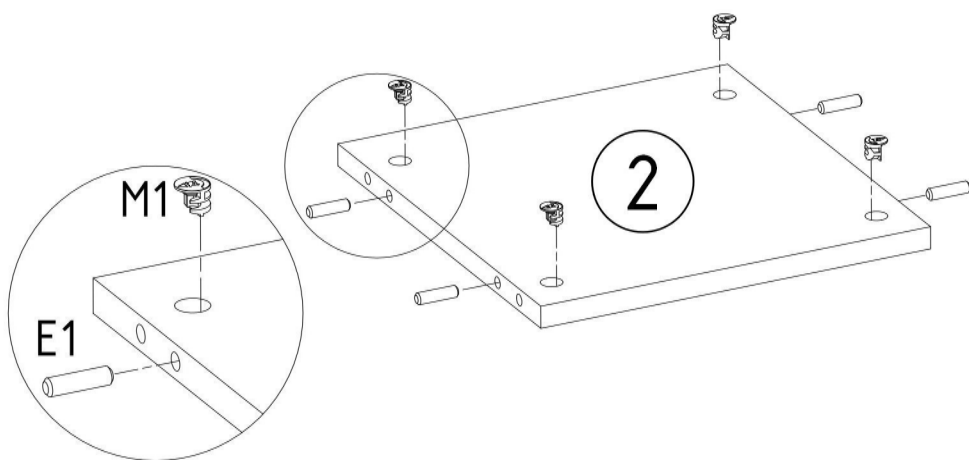
1	x	1
2	x	3
3	x	1
4	x	1
5	x	1
6	x	1
7	x	1
8	x	1

9	x	1
10	x	1
11	x	1
12	x	3

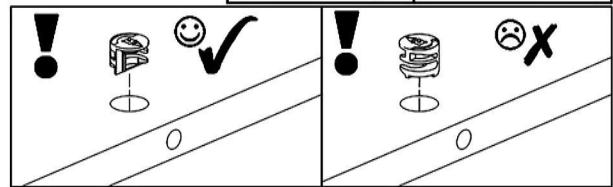
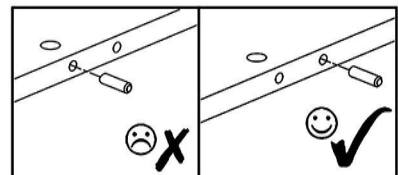
<p>N1</p>  <p>L=35mm x4</p>	<p>V16</p>  <p>5x16mm x4</p>	<p>B3</p>  <p>ø7-8/5mm x2</p>
---	---	---

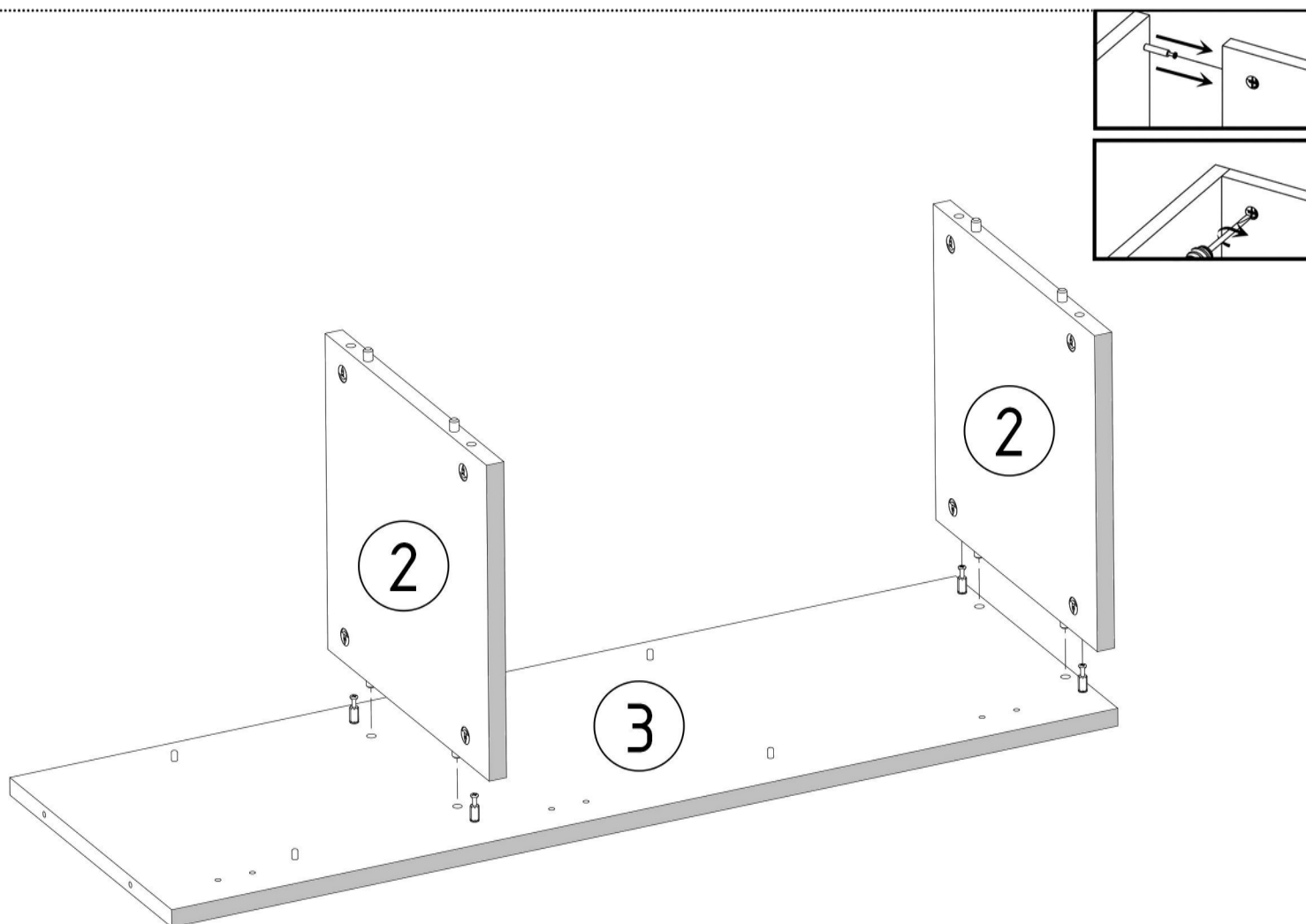
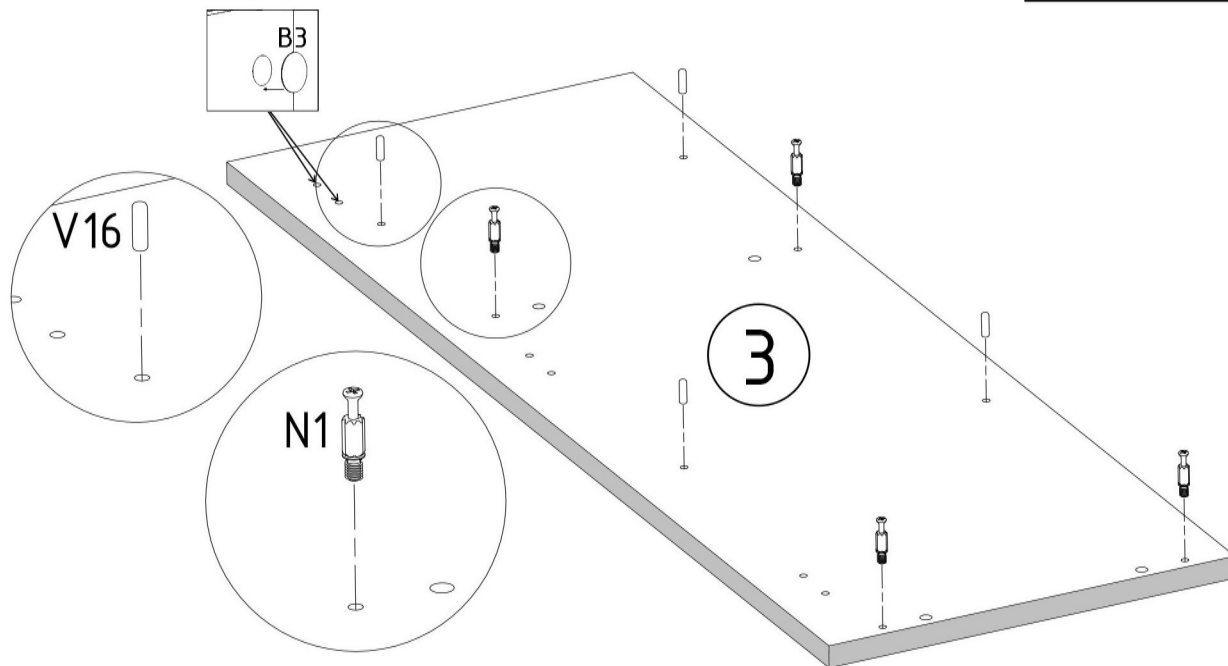
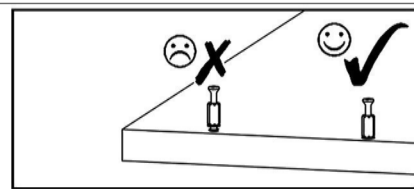
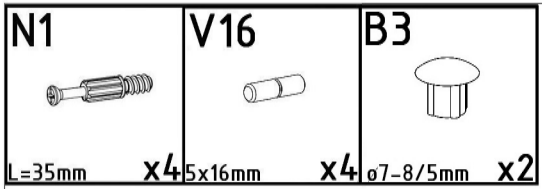


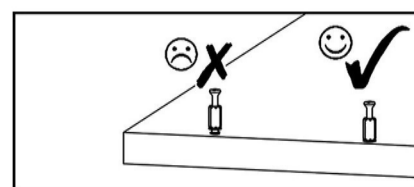
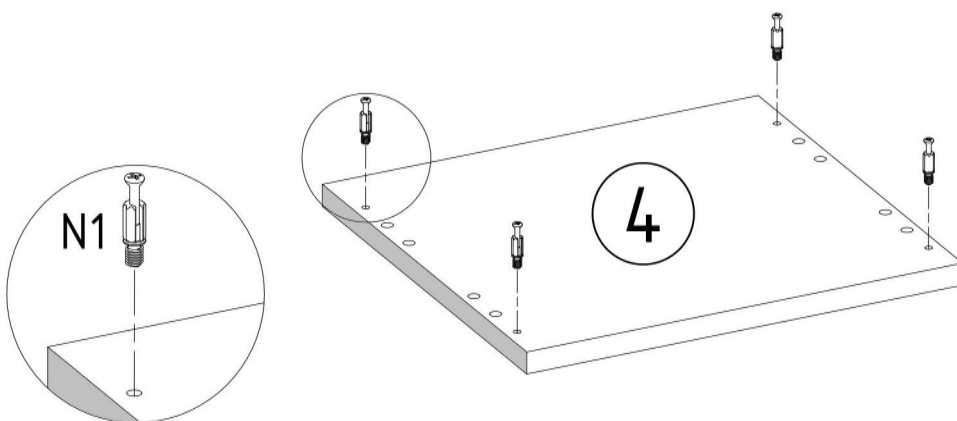
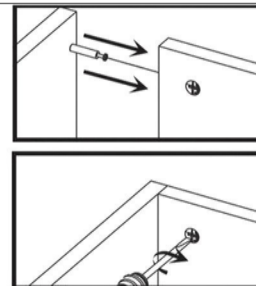
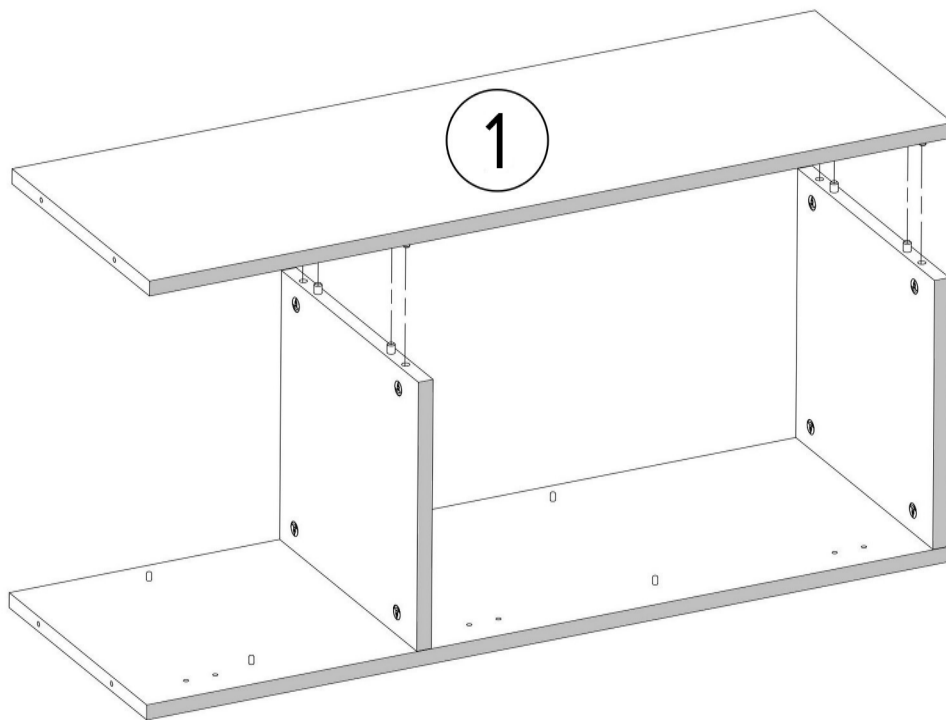
<p>M1</p>  <p>12x15mm x12</p>	<p>E1</p>  <p>8x30mm x12</p>
---	---

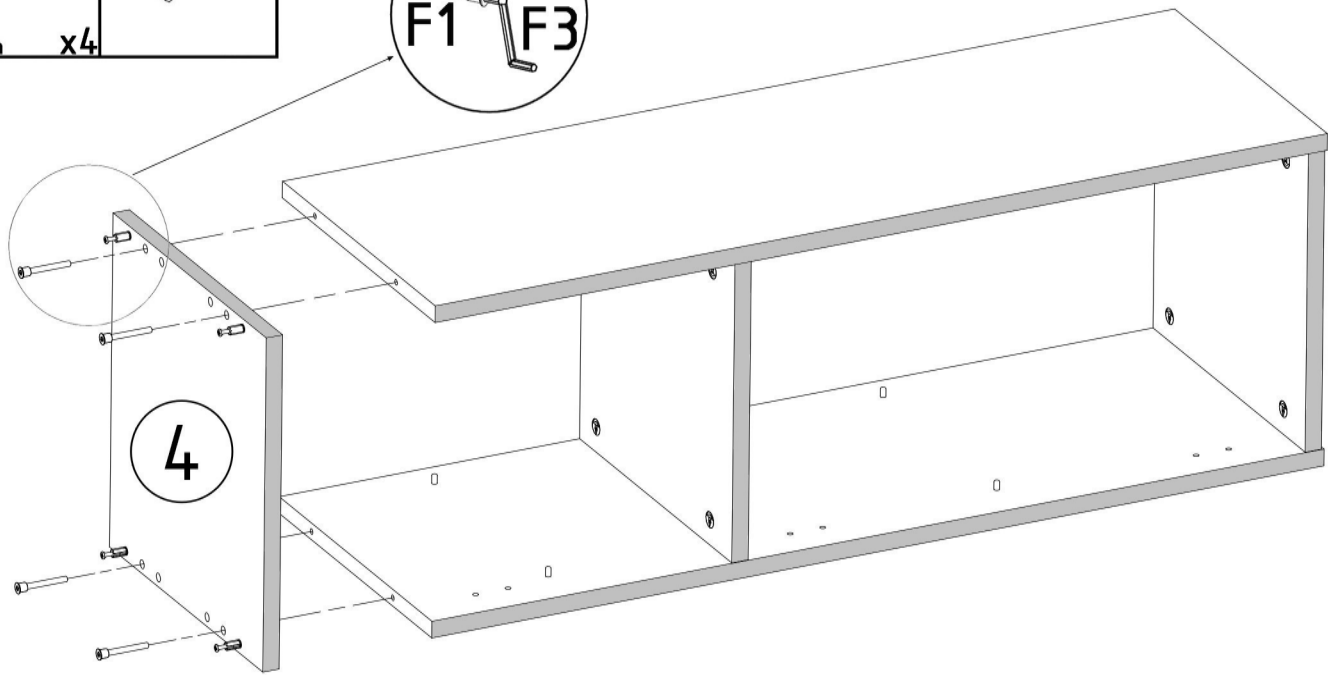
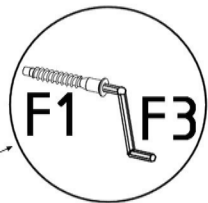
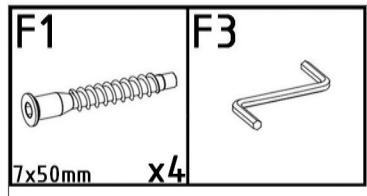


x3

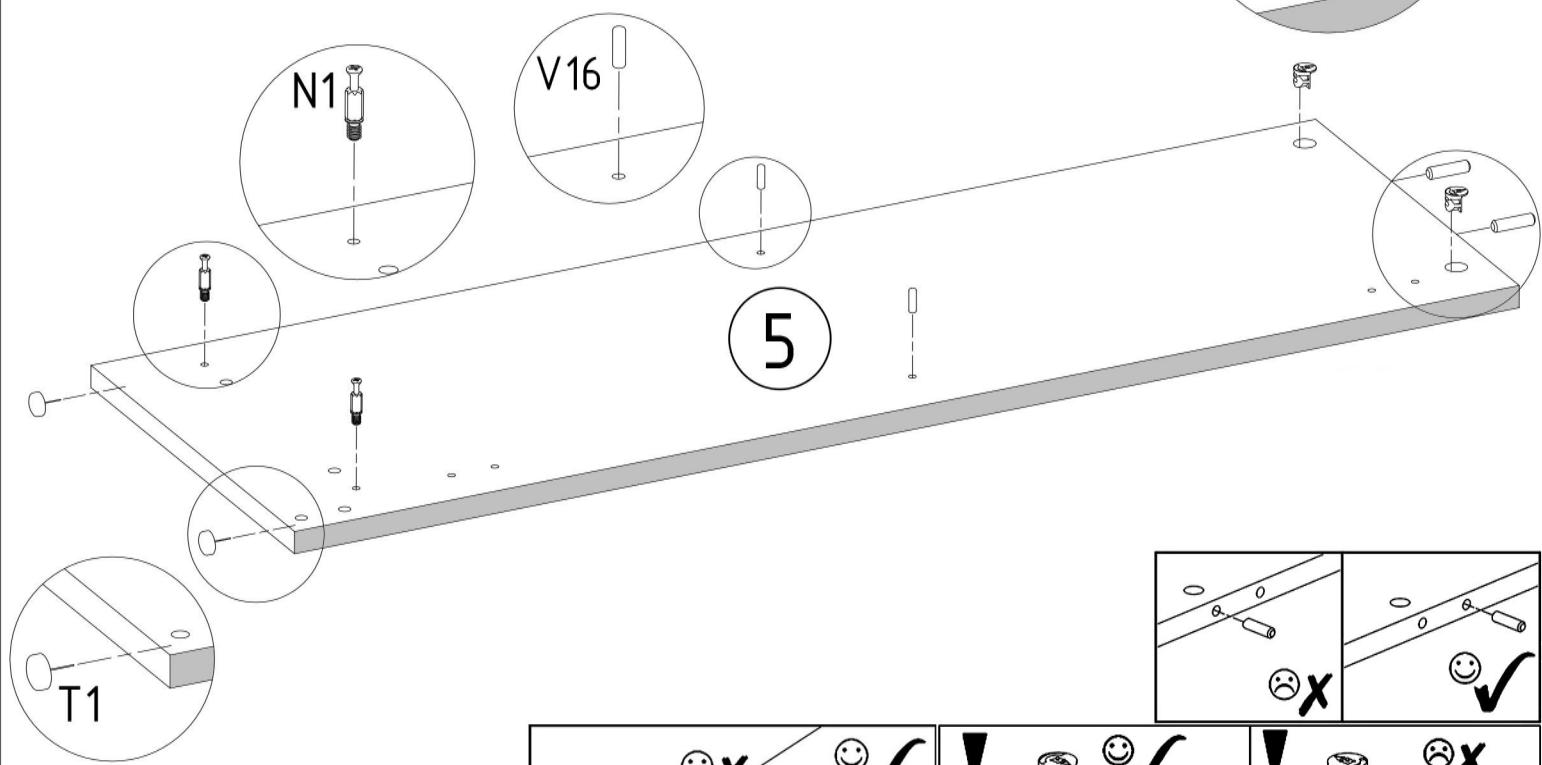
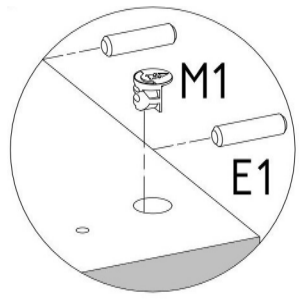
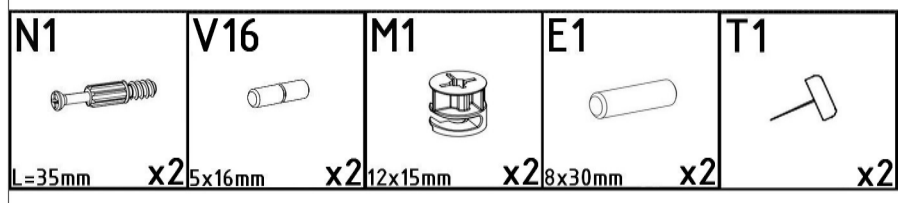




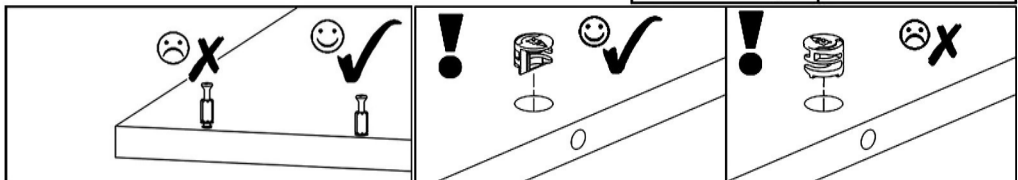
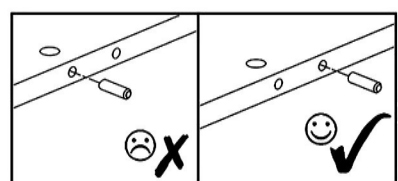



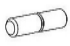





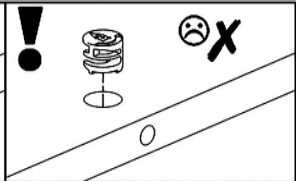
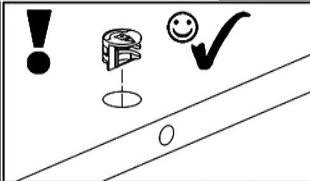
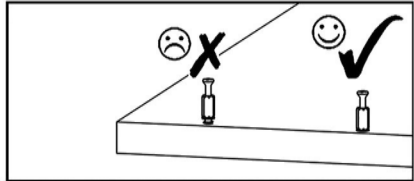
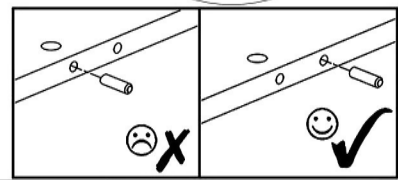
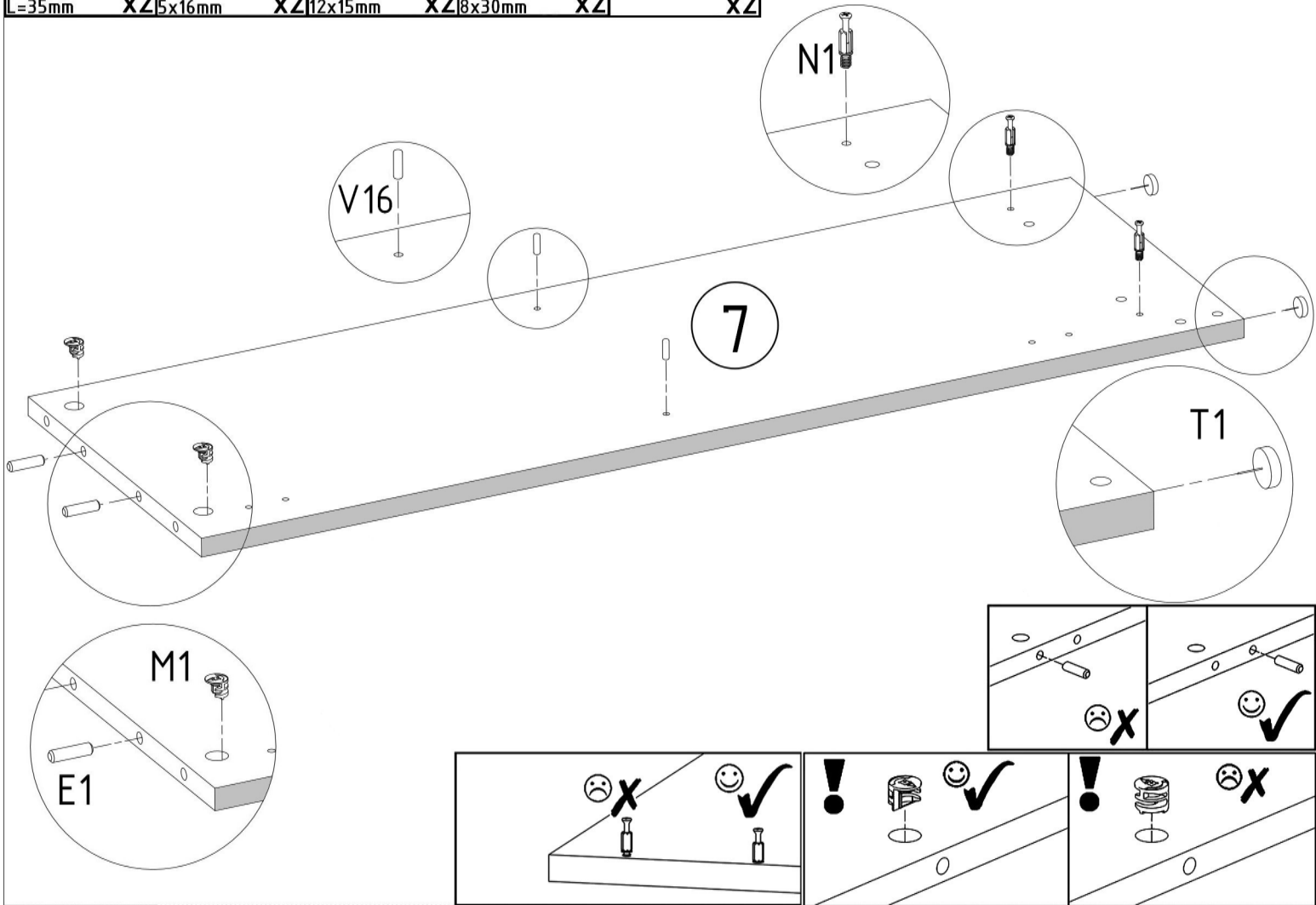
4




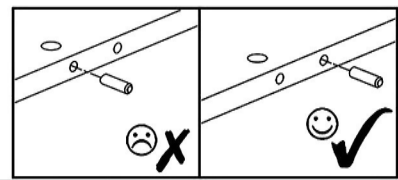
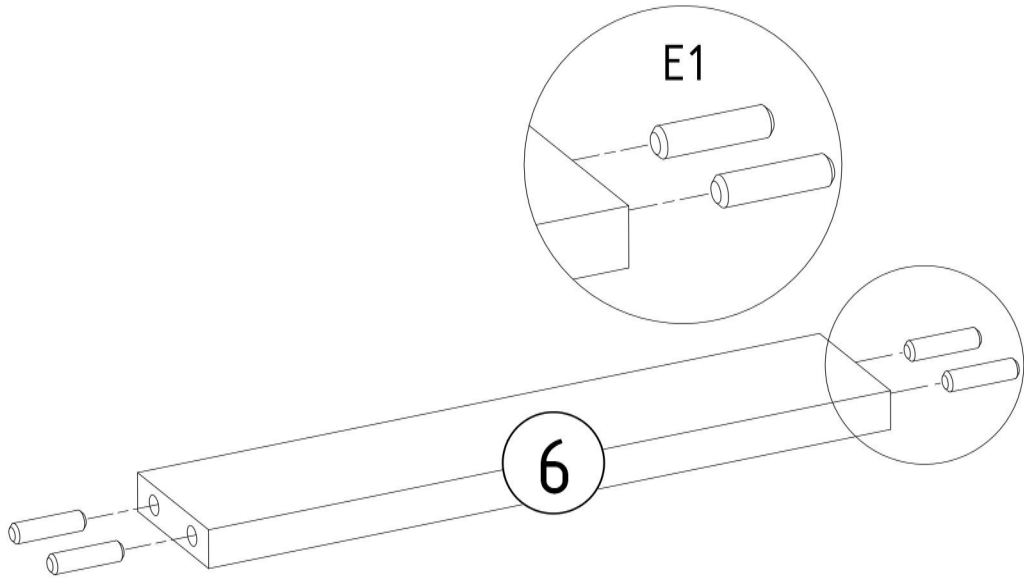
5

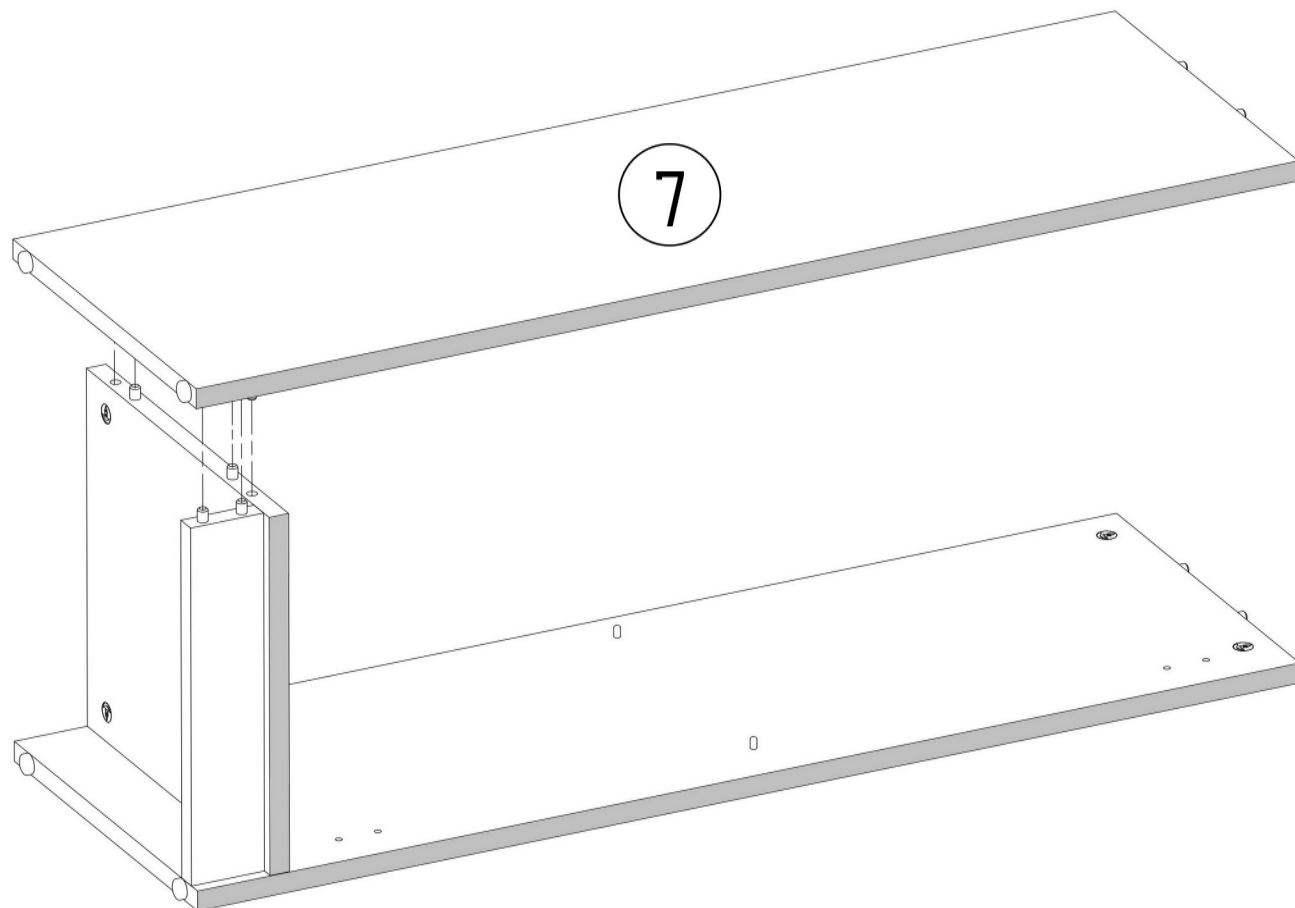
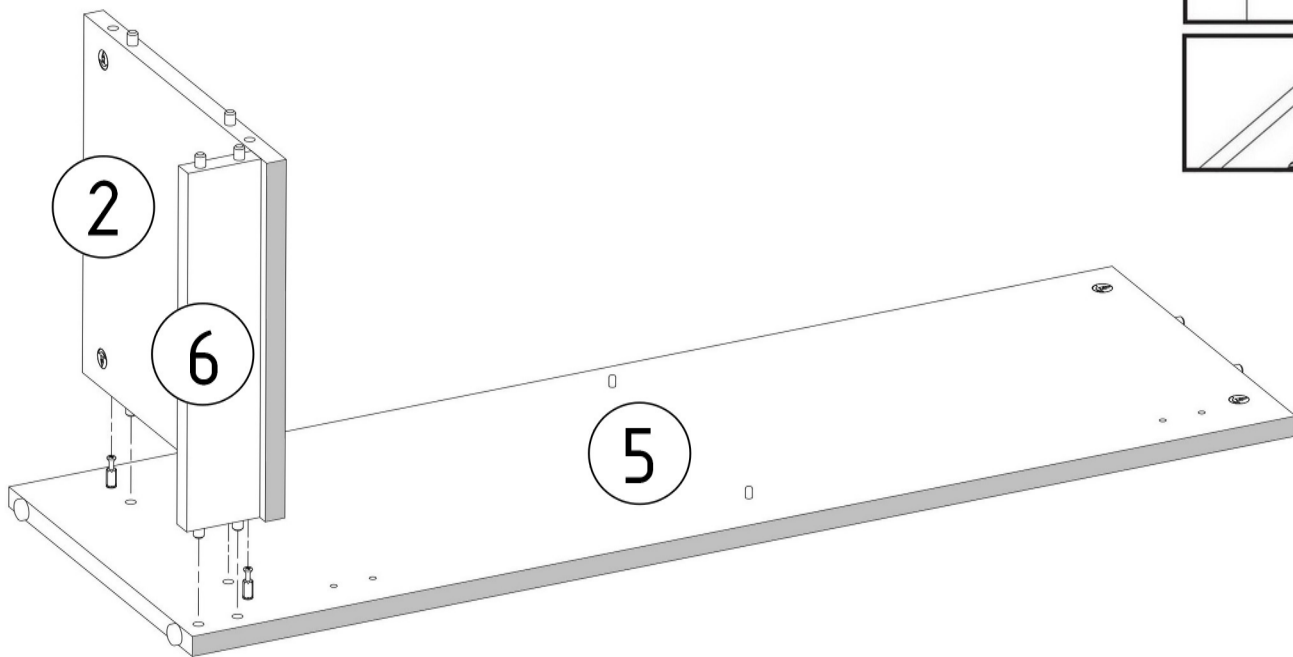


N1  L=35mm x2	V16  5x16mm x2	M1  12x15mm x2	E1  8x30mm x2	T1  x2
--	--	--	---	--




E1  8x30mm x4
--

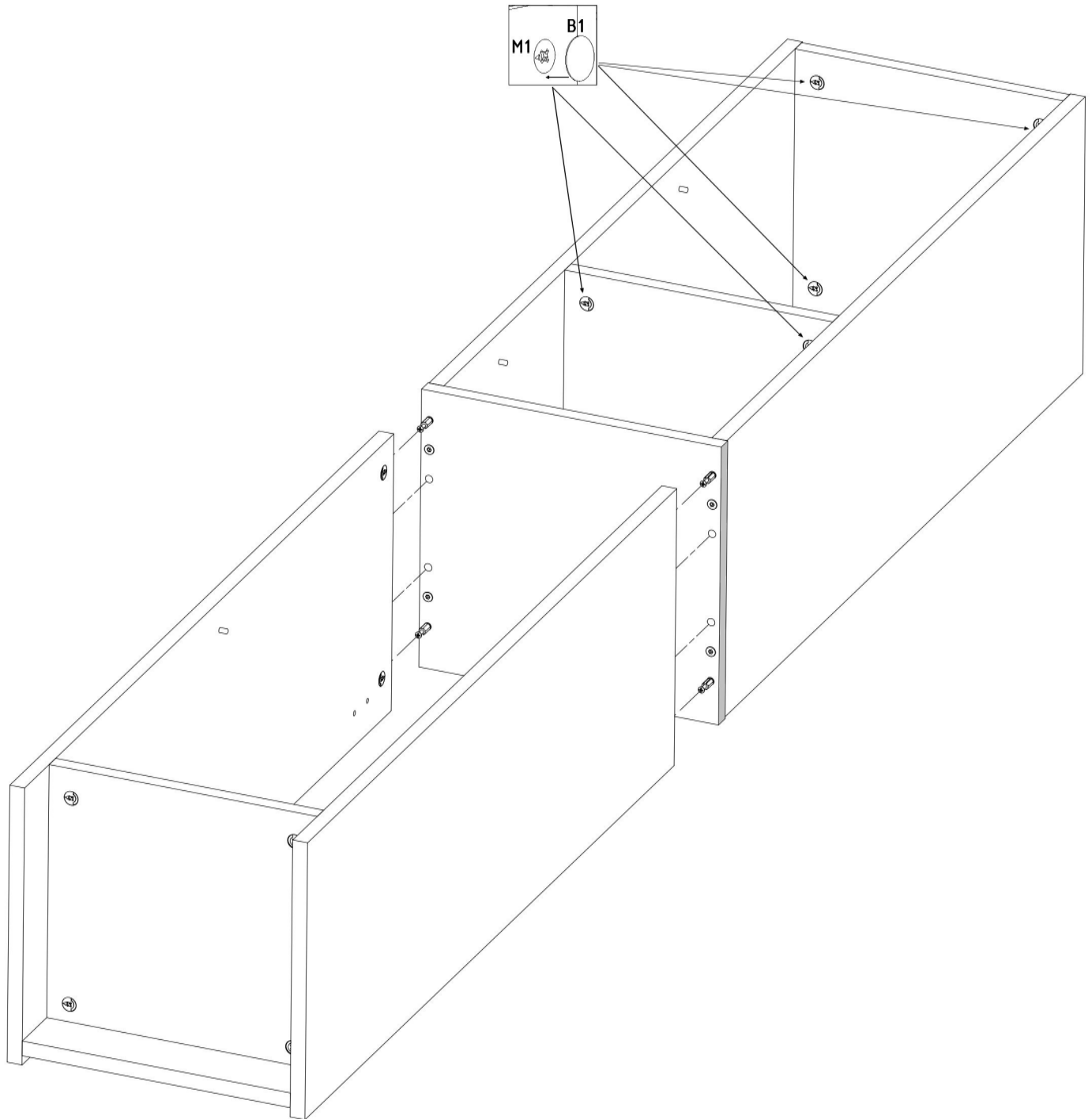
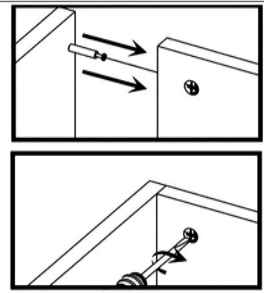







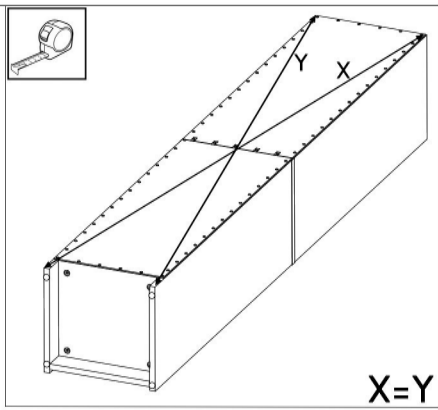
B1



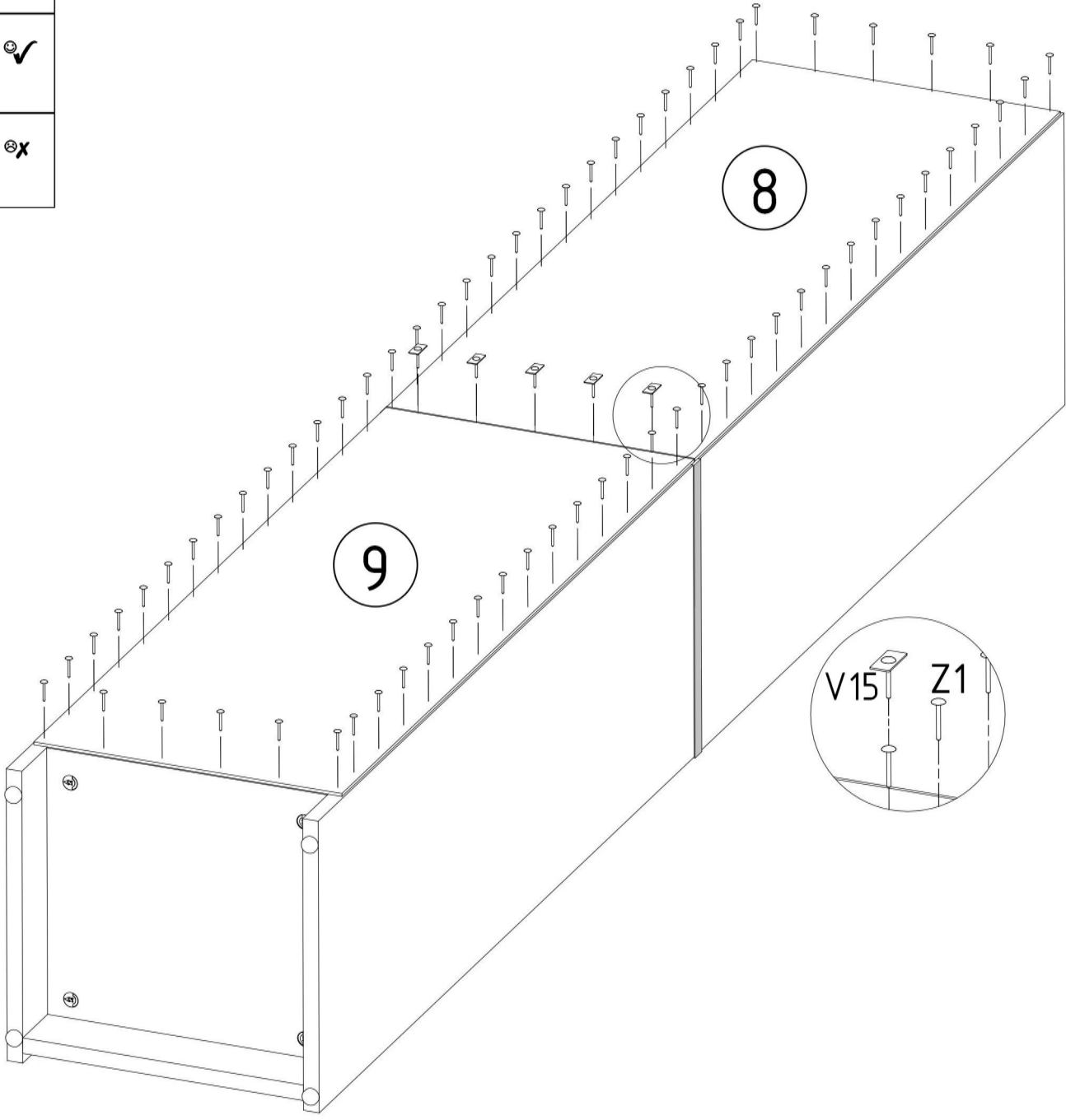



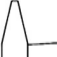
ø17mm x8





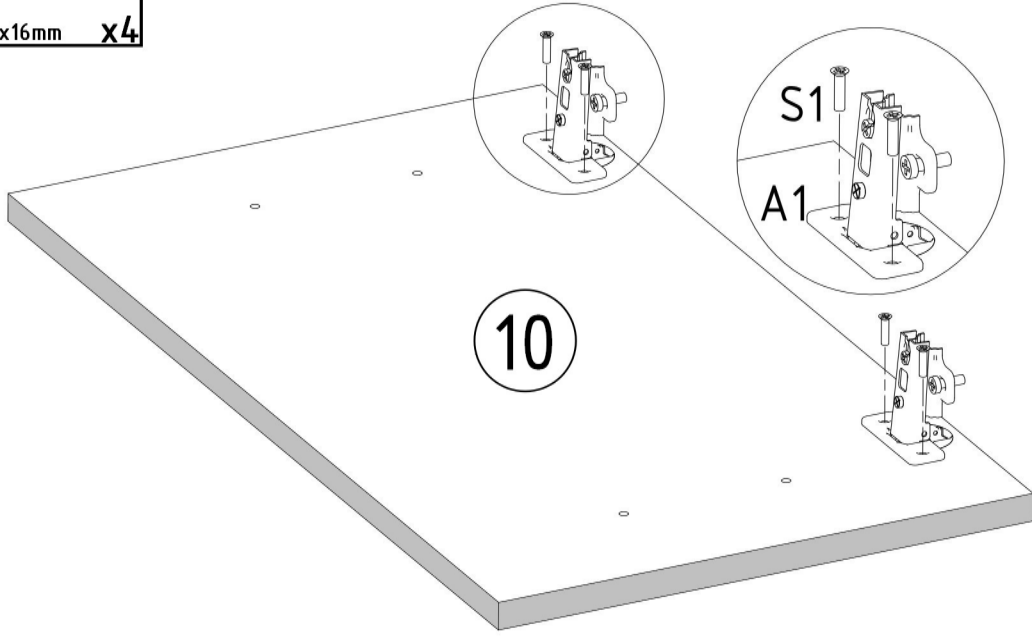
Z1  x75	V15  x5
--	---





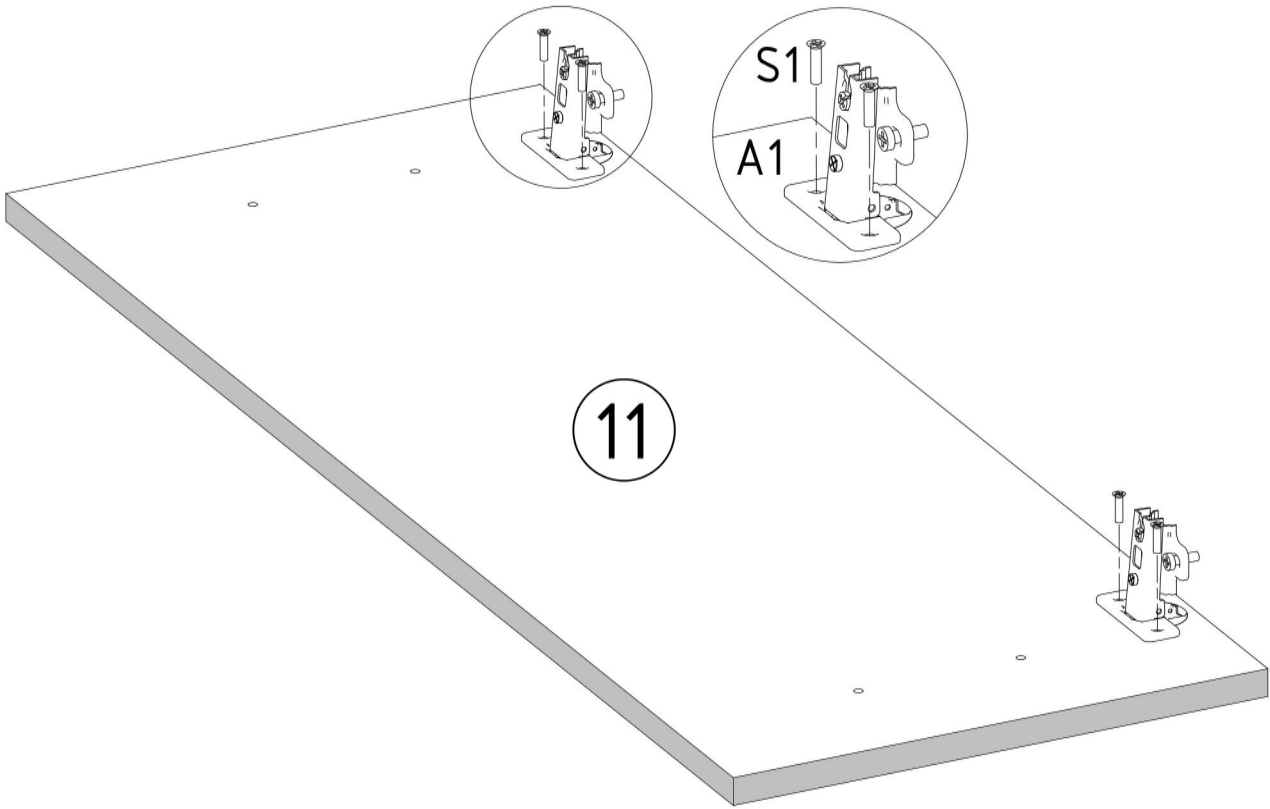
8 mm


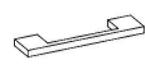




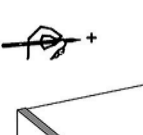

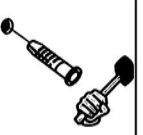
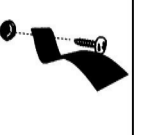

A1 	S1 
ZP	x2 3,5x16mm x4



A1 	S1 
ZP	x2 3,5x16mm x4



S2  4x27 mm x4	U3  L=96/137mm x2	V13  x1
---	---	---

					
--	--	---	--	--	--

