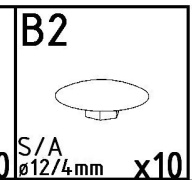
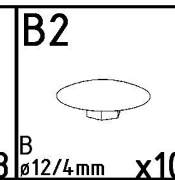
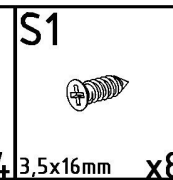
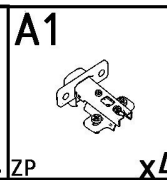
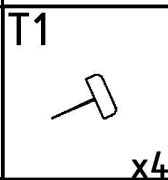
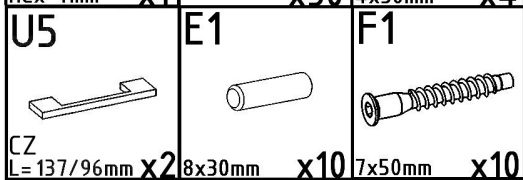
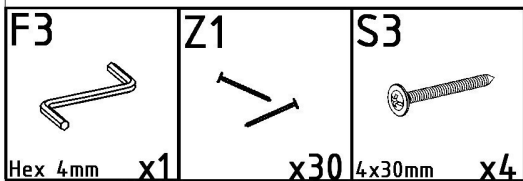
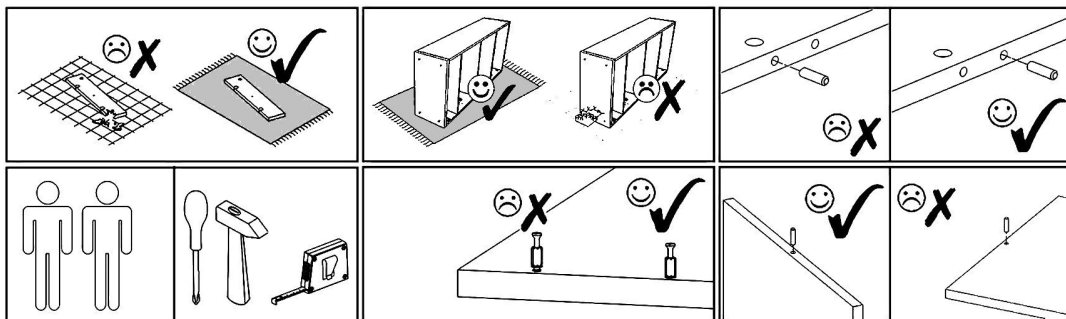
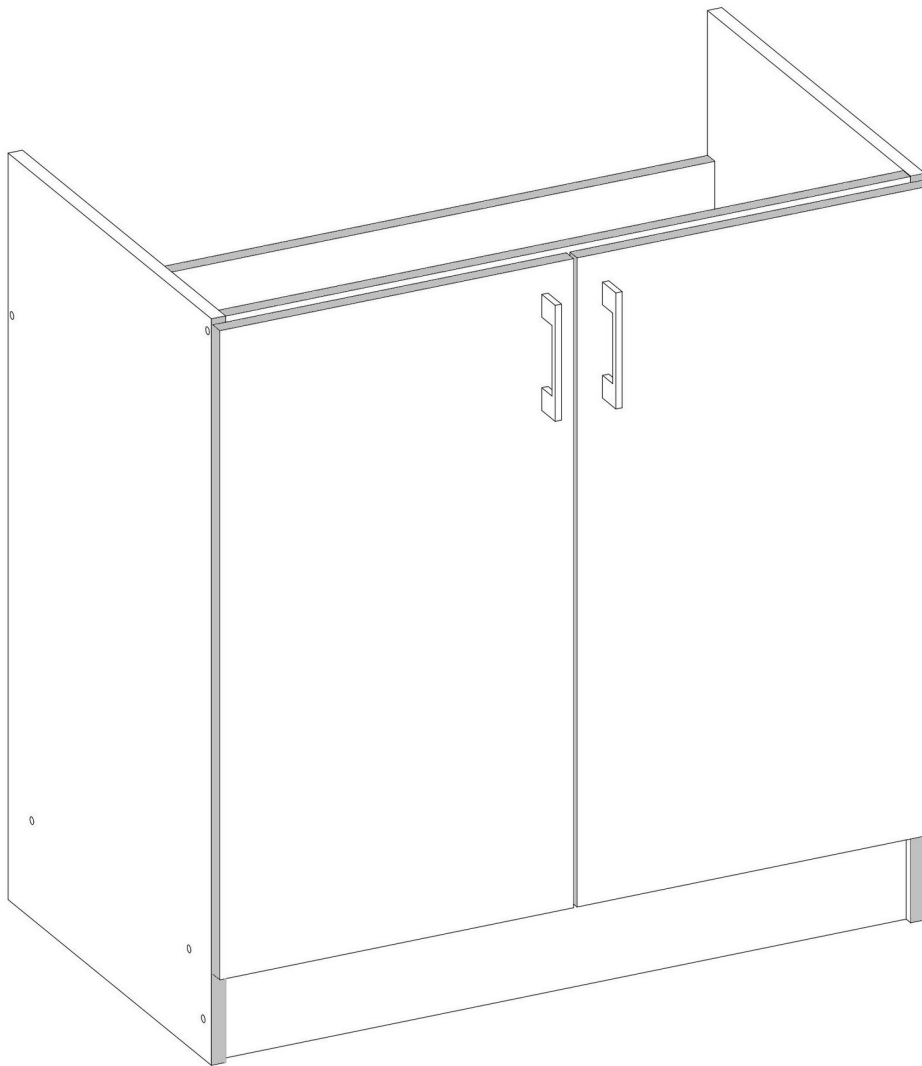


KATIA_D80

PRODUCTION DATE

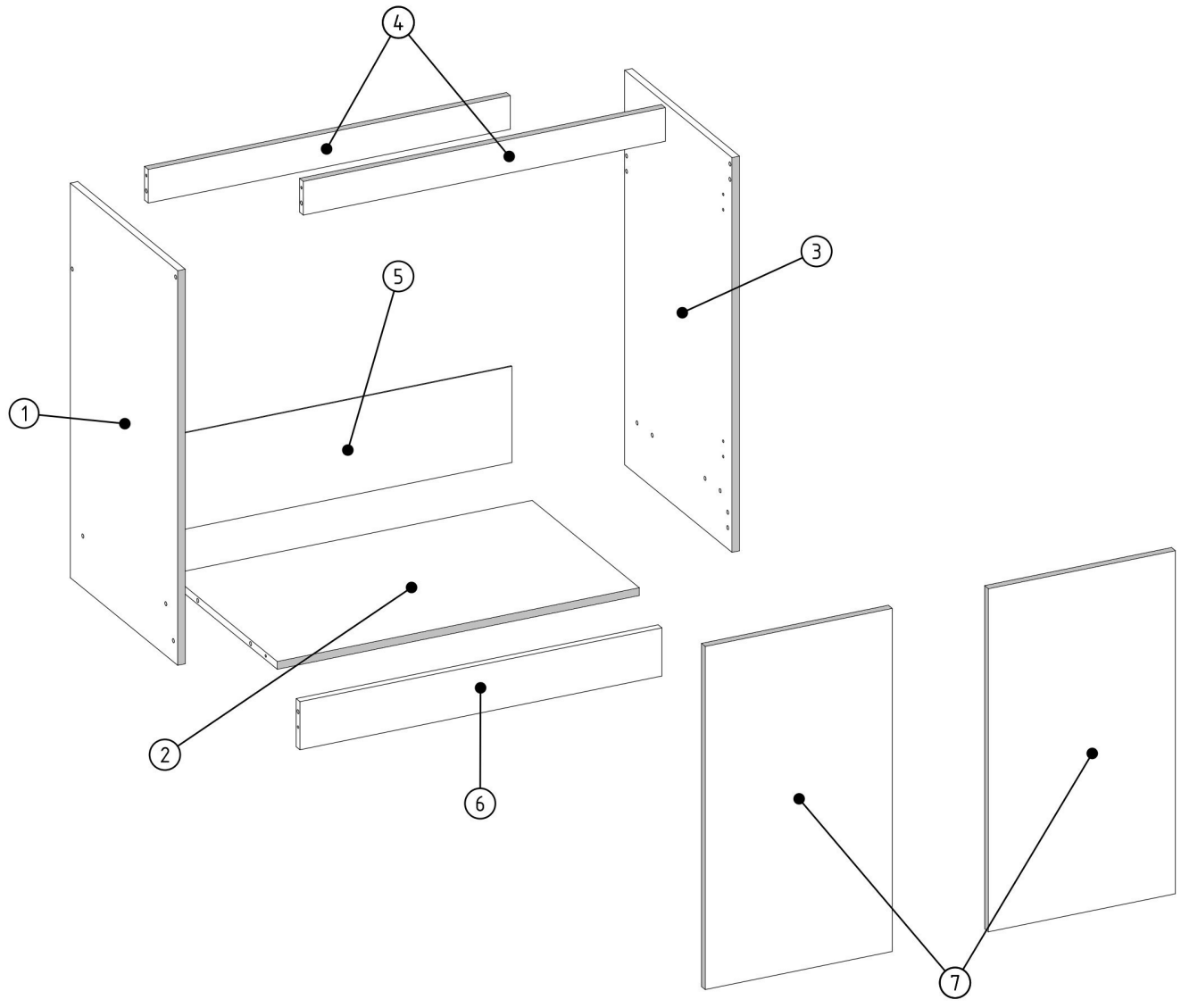
PACKING CODE



KATIA_D80


PRODUCTION DATE

PACKING CODE

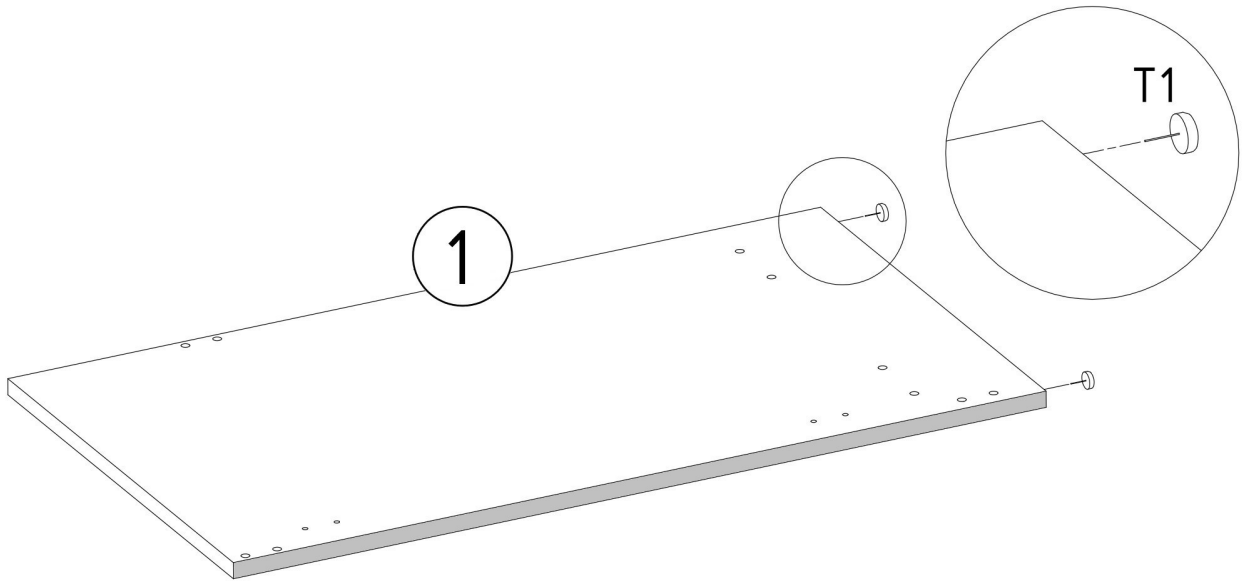


001647	7	2
001491	6	1
001504	5	1
001511	4	2
001505	3	1
001486	2	1
001506	1	1
ID	NUMBER	QUANTITY


T1



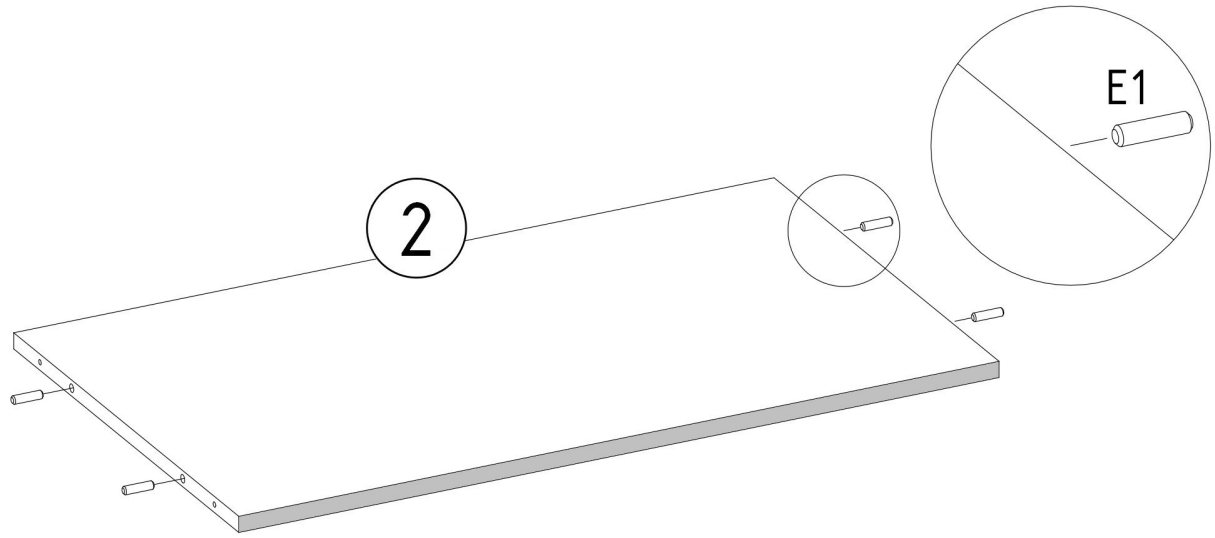
x2

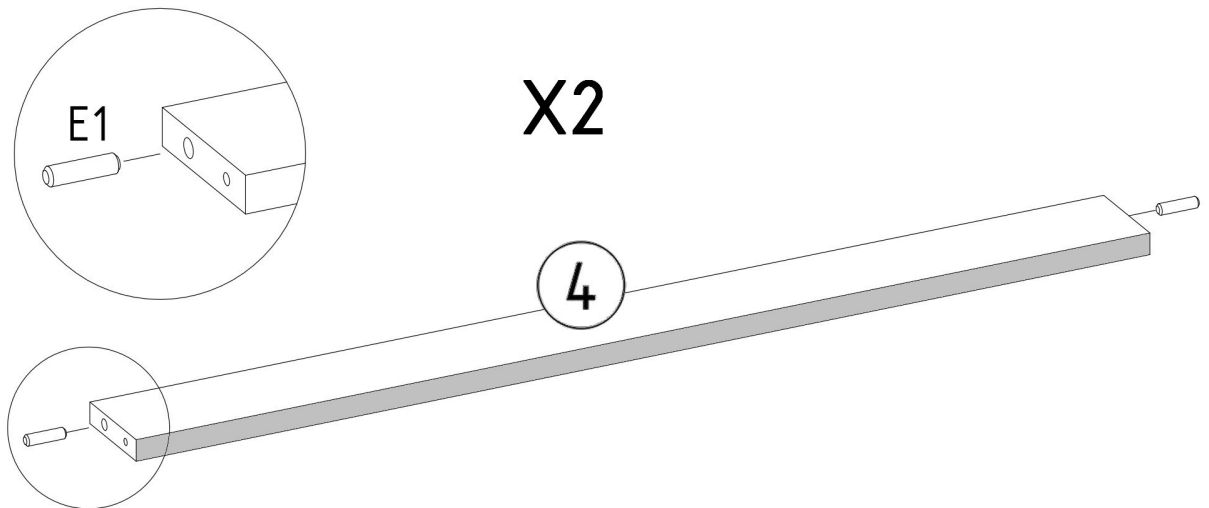
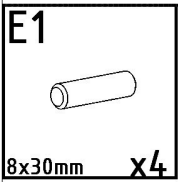
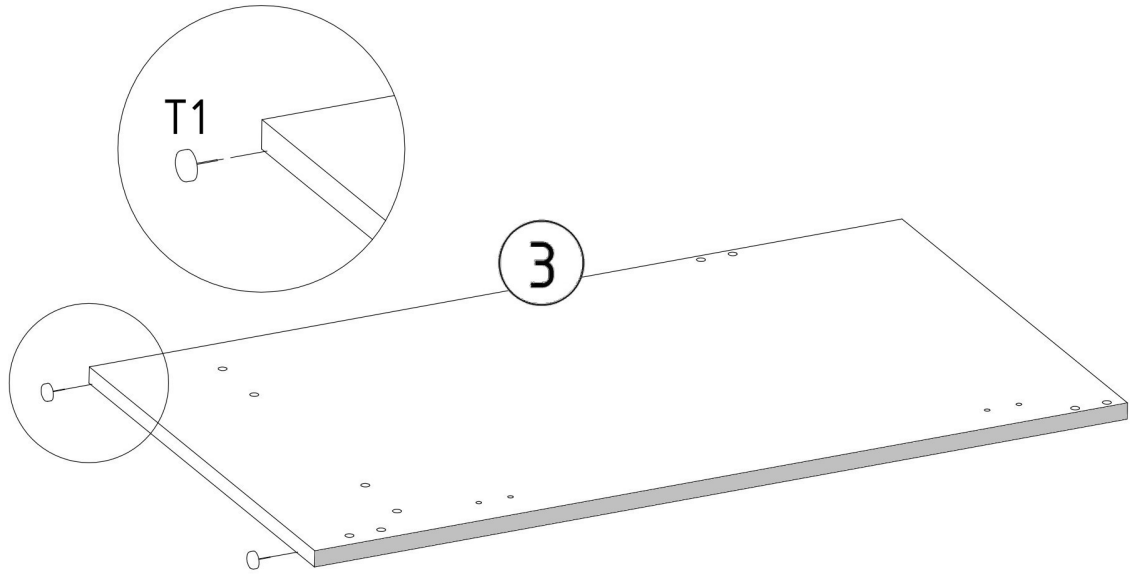
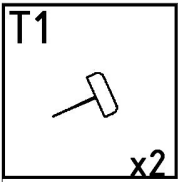


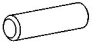
E1

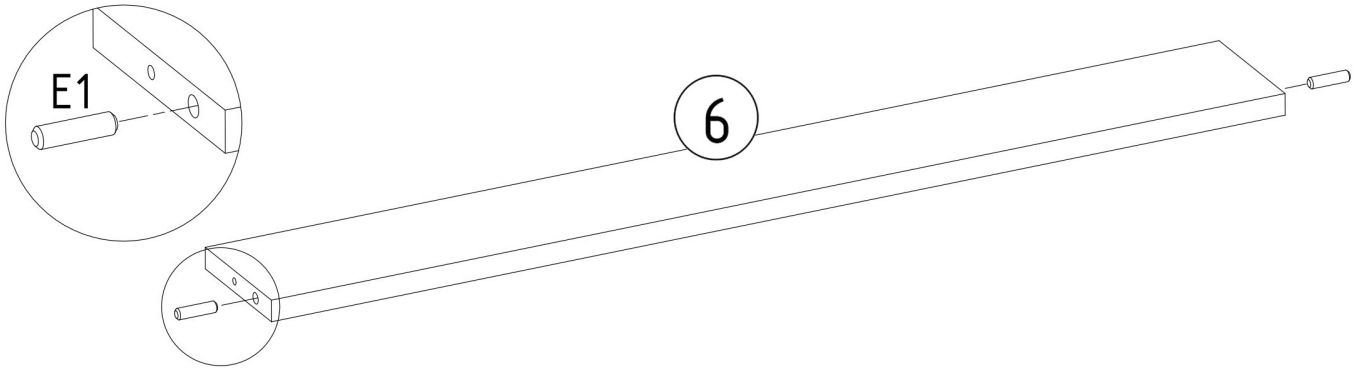


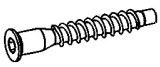
8x30mm x4

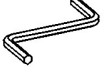


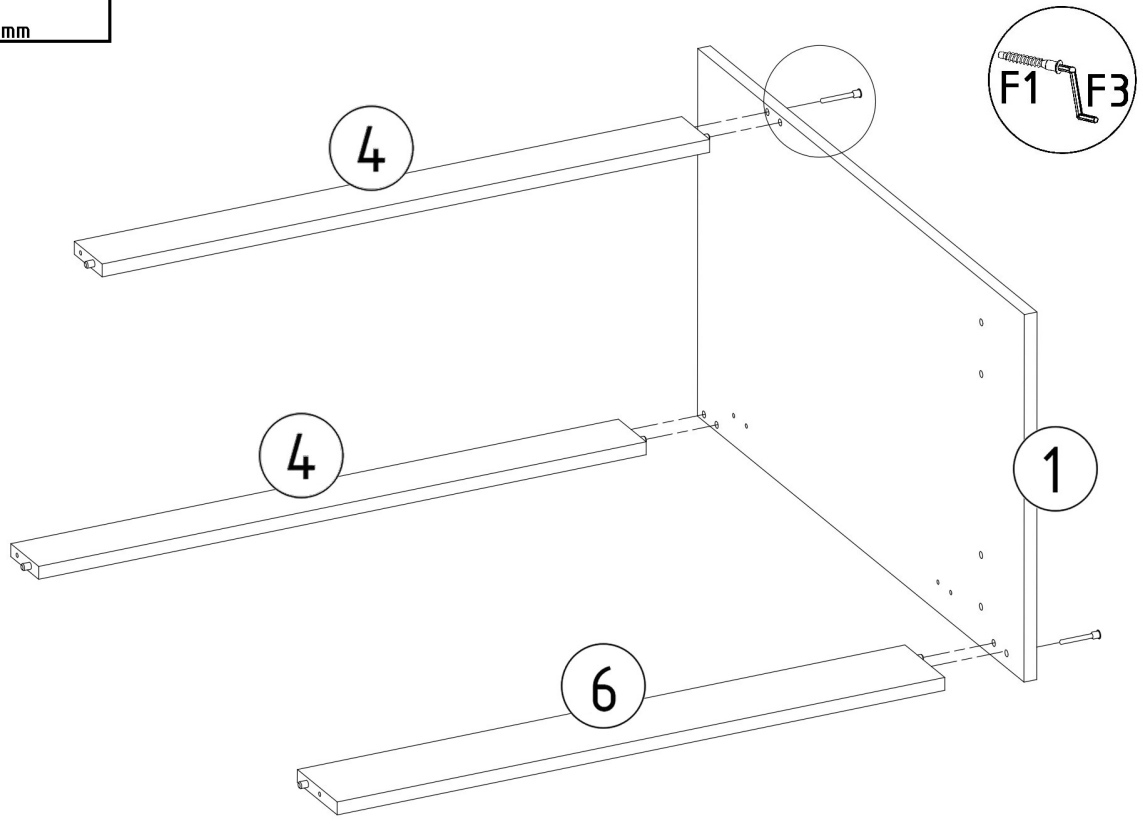


E1

8x30mm x2

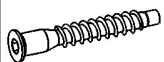


F1

7x50mm x3

F3

Hex 4mm

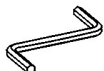


F1

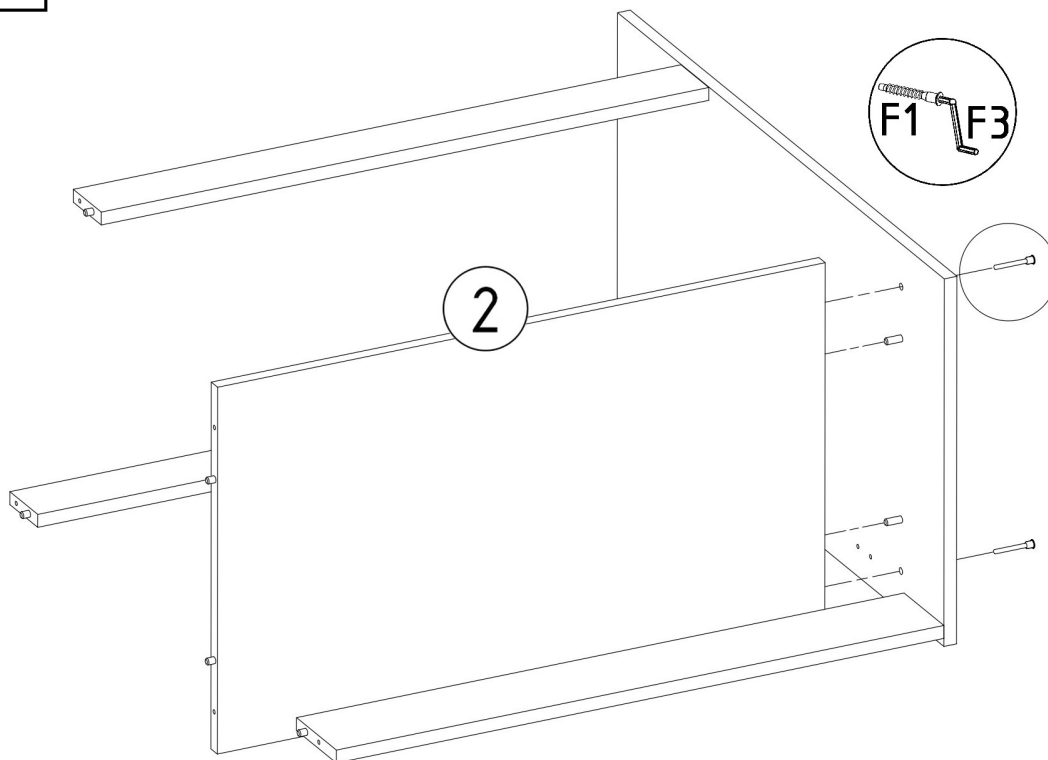


7x50mm x2

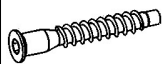
F3



Hex 4mm

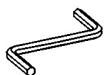


F1

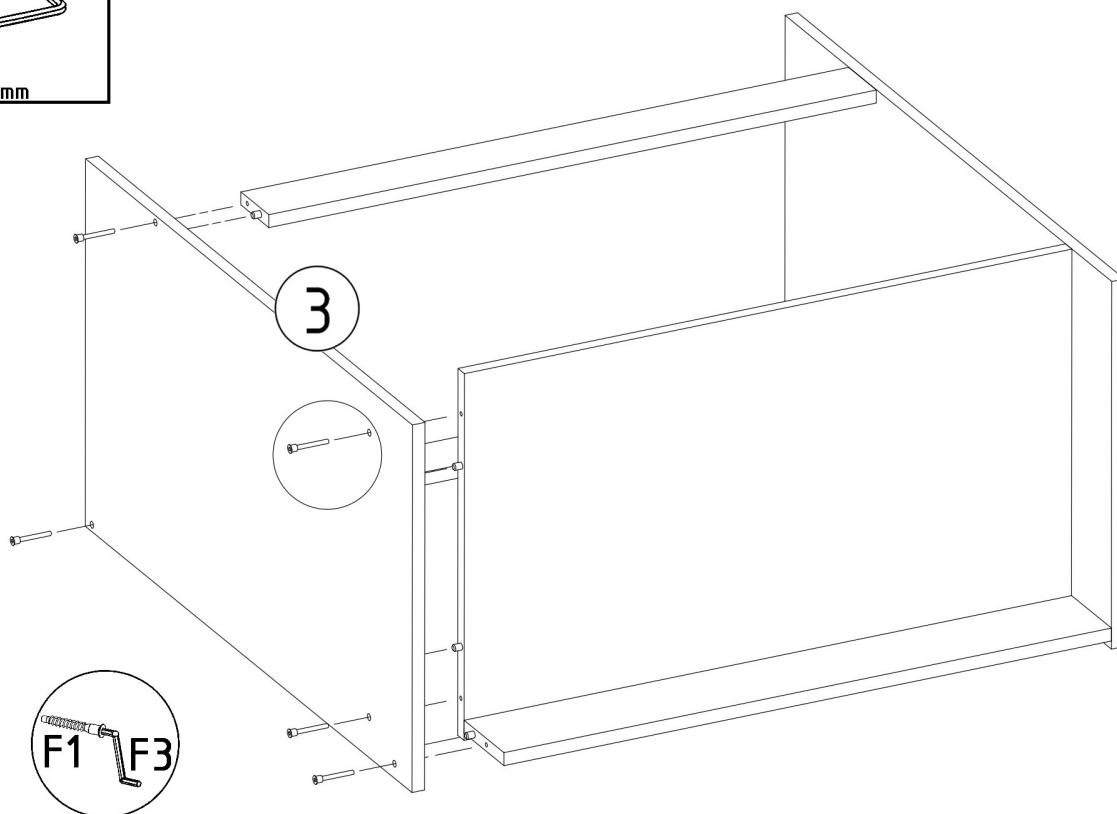


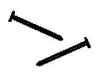
7x50mm x5

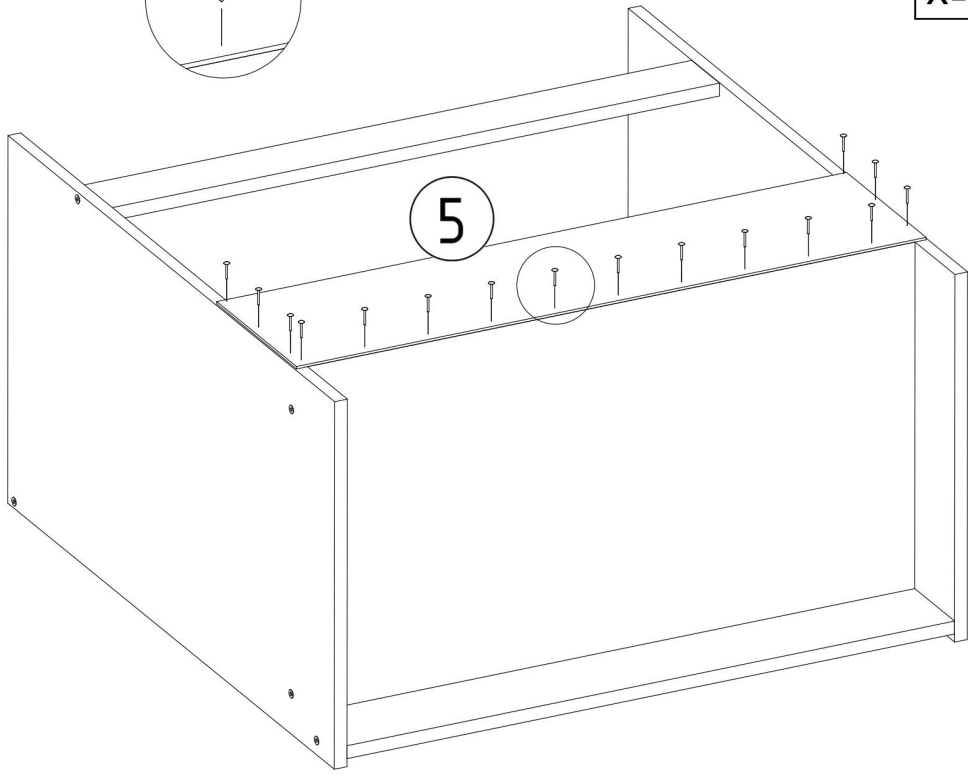
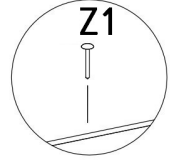
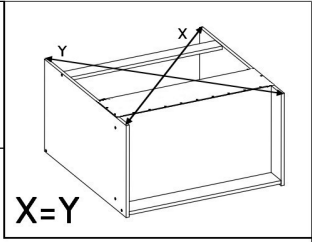
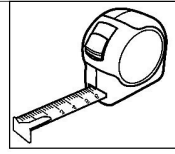
F3

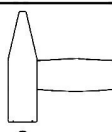
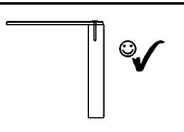
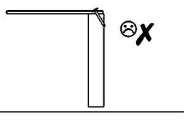


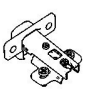

Hex 4mm



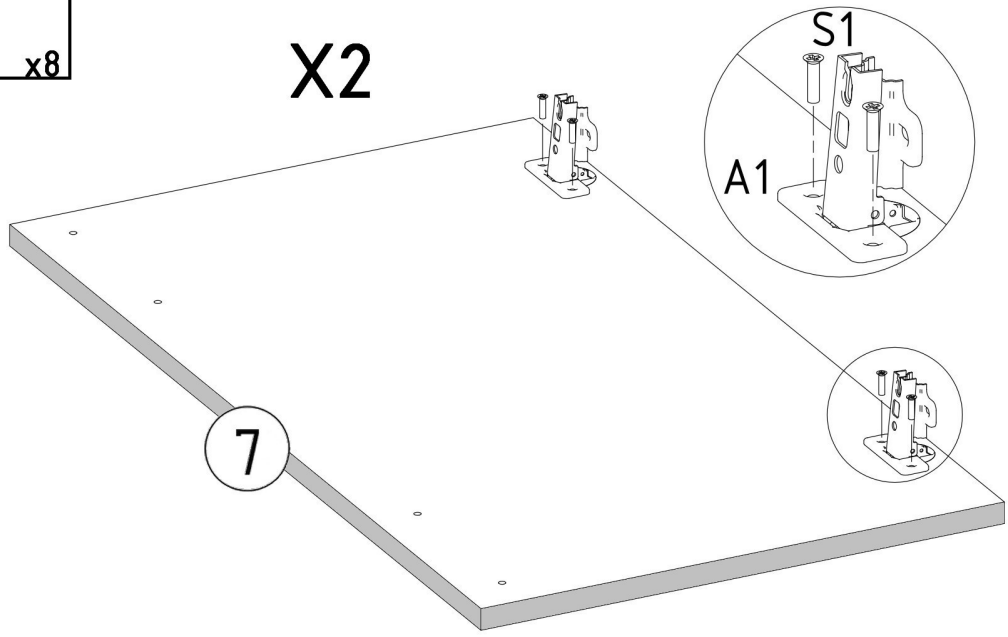
Z1

 x30



8mm




A1 **S1**

 ZP x4

 3,5x16mm x8

X2



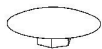
U5



S3



B2



L=137/96mm x2 4x30mm x4 ø12/4mm x10

