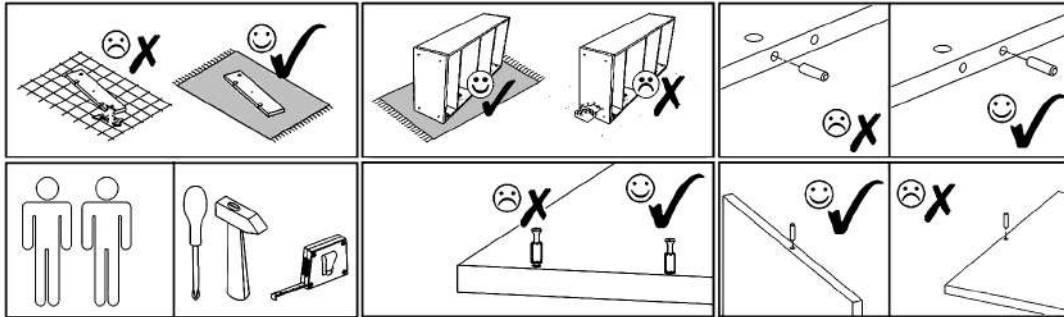
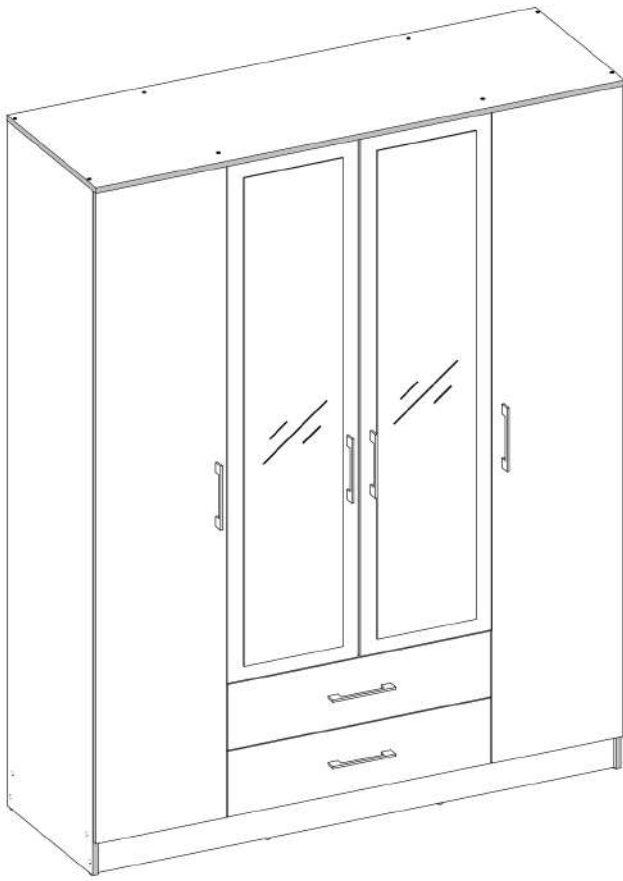

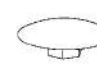





























ROMANA\_160L  
ROMANA\_160

PRODUCTION DATE

PACKING CODE

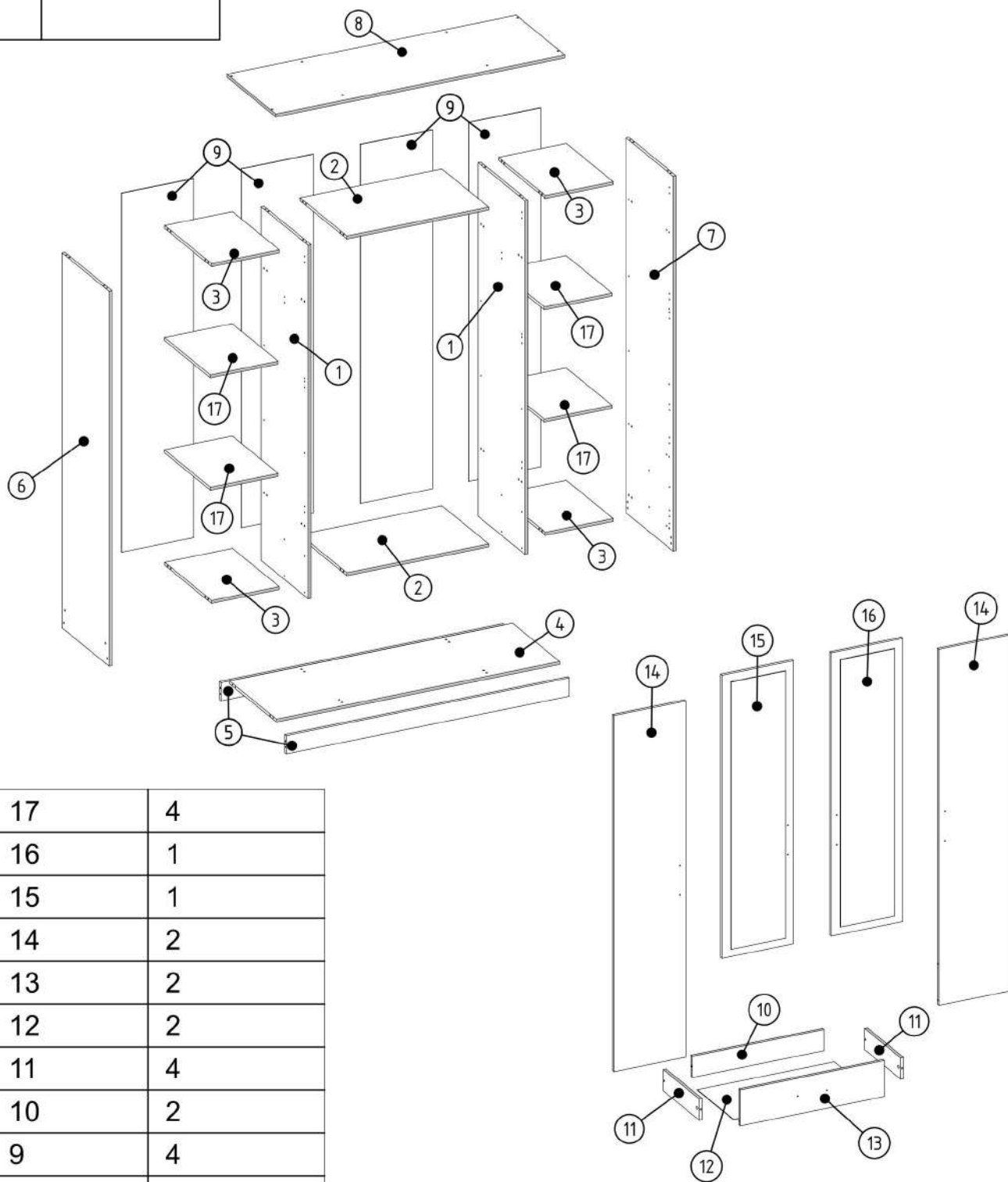


<b>B2</b>  K ø12/4mm x8	<b>B2</b>  Ant. ø12/4mm x8	<b>B2</b>  B ø12/4mm x8	<b>V32</b>  L=1529mm x1	<b>A3</b>  ZB x6			
<b>V19</b>  x2	<b>V16</b>  5x16mm x16	<b>F2</b>  7x35mm x4	<b>F1</b>  7x50mm x20	<b>B1</b>  B ø17/4mm x4	<b>V41</b>  x1	<b>Z1</b>  x180	<b>B2</b>  S-A ø12/4mm x8
<b>S1</b>  3,5x16mm x48	<b>T1</b>  x8	<b>P4</b>  L=400mm x2	<b>R7</b>  4x27mm x12	<b>U6</b>  CZ L=208/160mm x6	<b>V15</b>  x30	<b>V25</b>  x4	<b>V8</b>  L=773mm x1
<b>A1</b>  ZP x8	<b>E1</b>  8x30mm x28	<b>E3</b>  8x50mm x8	<b>R1</b>  6x8mm x8	<b>F3</b>  Hex 4mm x1	<b>M1</b>  12x15mm x28	<b>N1</b>  L=35mm x12	<b>N4</b>  L=62mm x8







ROMANA\_160L  
ROMANA\_160

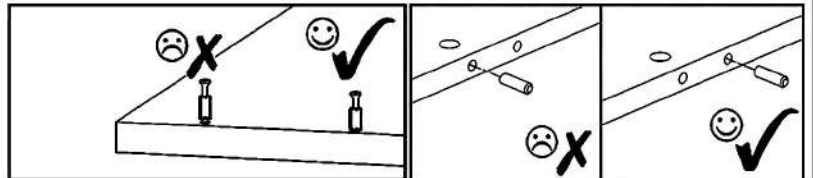
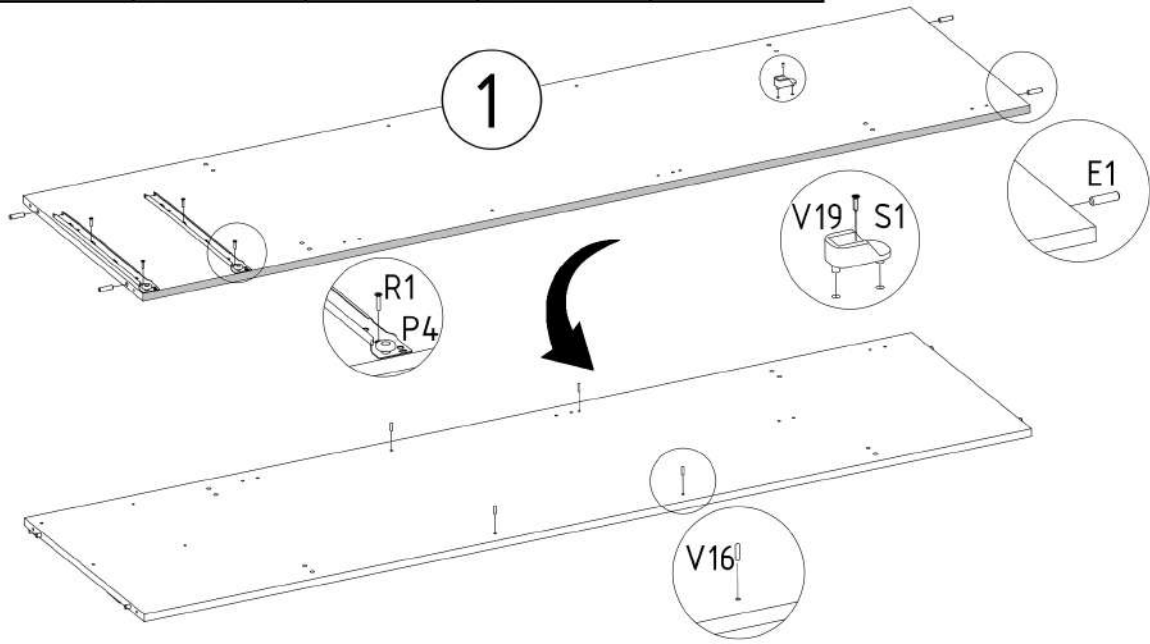
PRODUCTION DATE







PACKING CODE

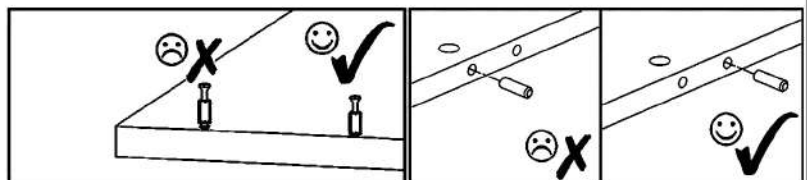
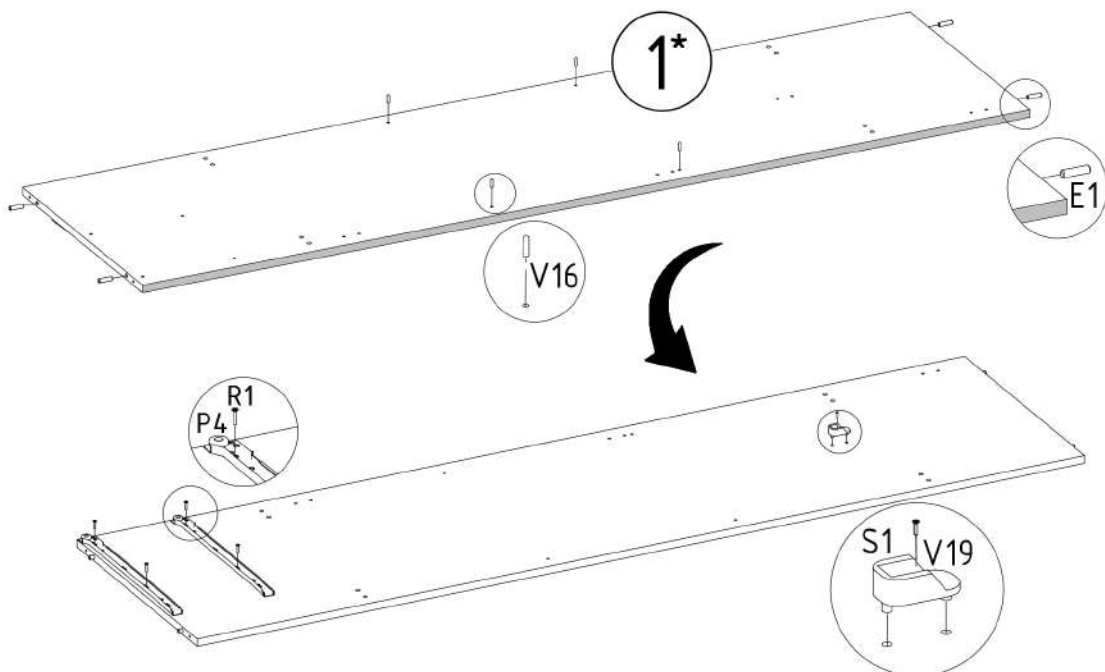


001524	17	4	
001532	16	1	
001556	15	1	
001533	14	2	
001555	13	2	
001551	12	2	
000083	11	4	
001550	10	2	
001525	9	4	
001553	8	1	
001535	7	1	
001536	6	1	
001557	5	2	
001554	4	1	
001527	3	4	
001552	2	2	
001530	1	2	
ID	NUMBER	QUANTITY	

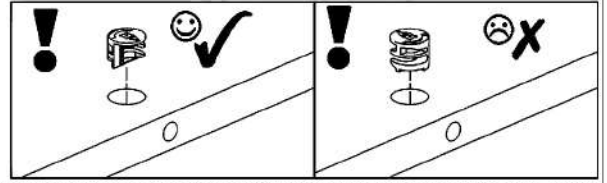
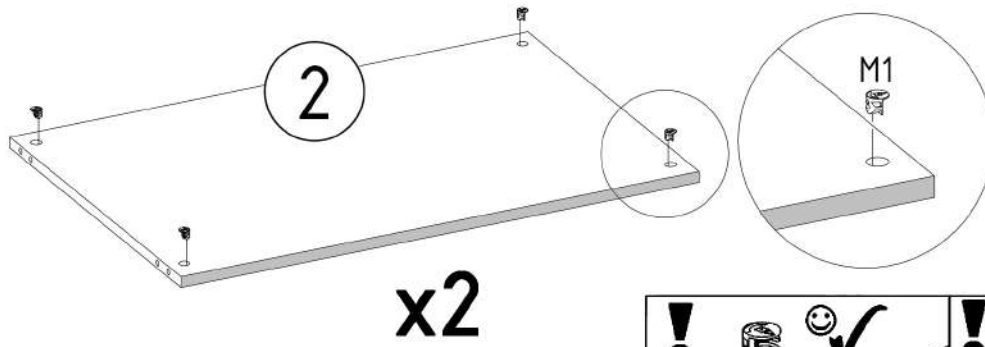
S1	E1	V16	P4	R1	V19
					
3,5x16mm	x1	x4	x4	x2	x4
	8x30mm	5x16mm	L=400mm	6x8mm	



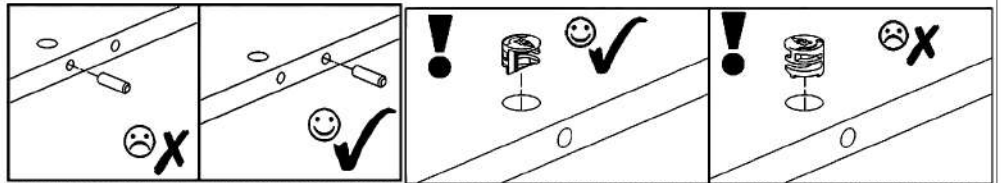
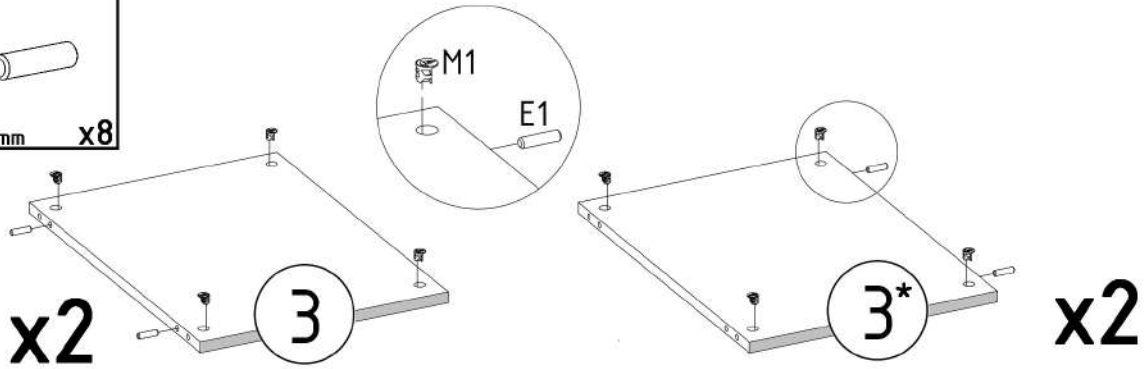
S1	E1	V16	P4	R1	V19
					
3,5x16mm	x1	x4	x4	x2	x4
	8x30mm	5x16mm	L=400mm	6x8mm	



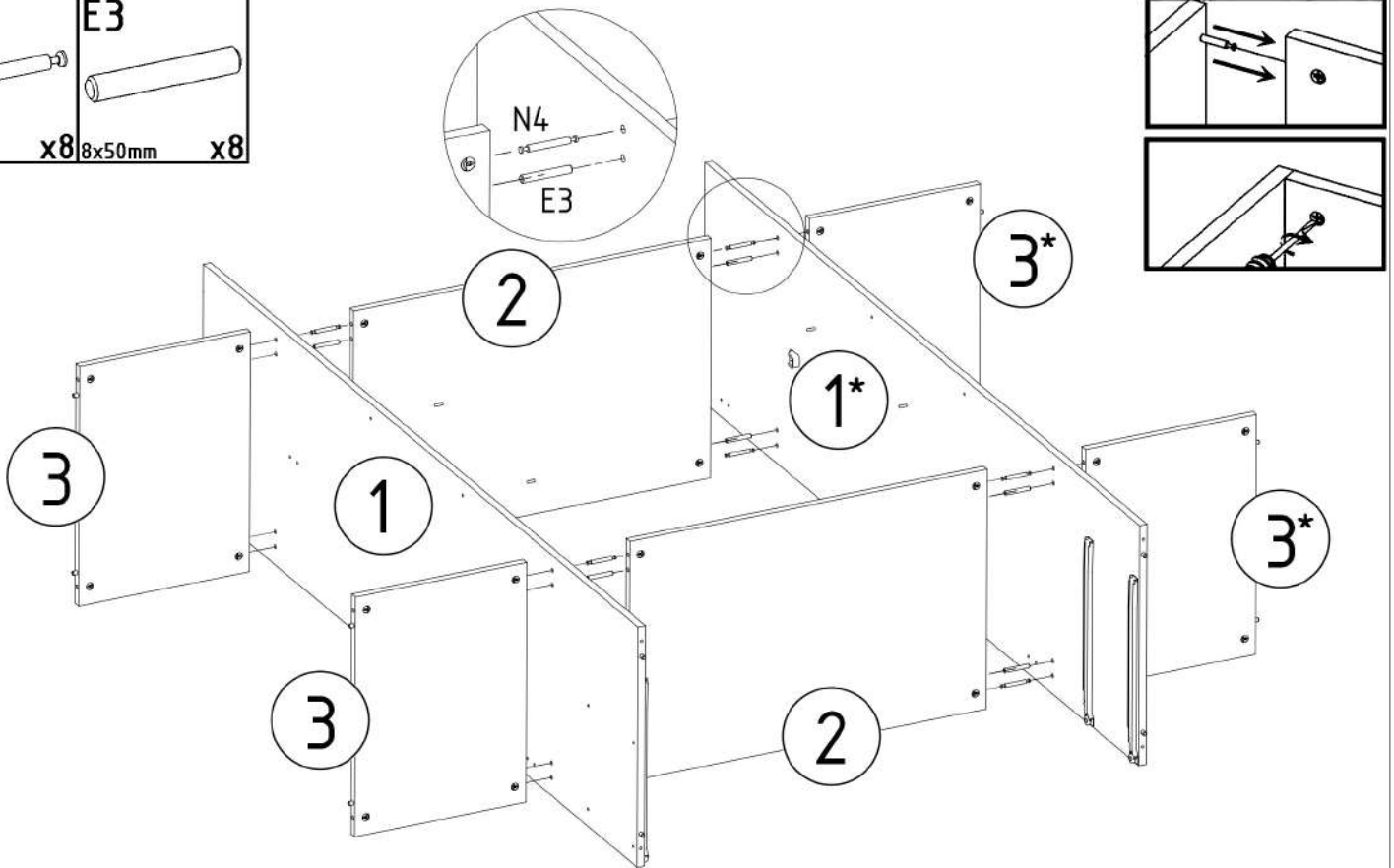
**M1**  
  
 12x15mm x8



**M1** 12x15mm x16  
**E1** 8x30mm x8



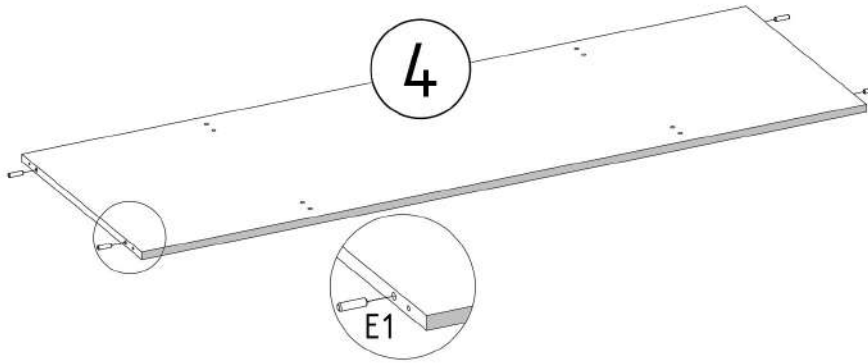
**N4** L=62mm x8  
**E3** 8x50mm x8



E1



8x30mm X4



F2

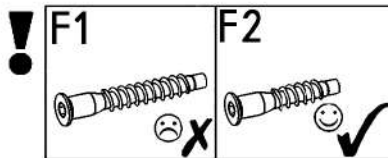
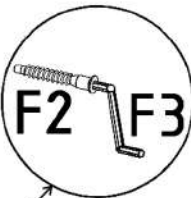
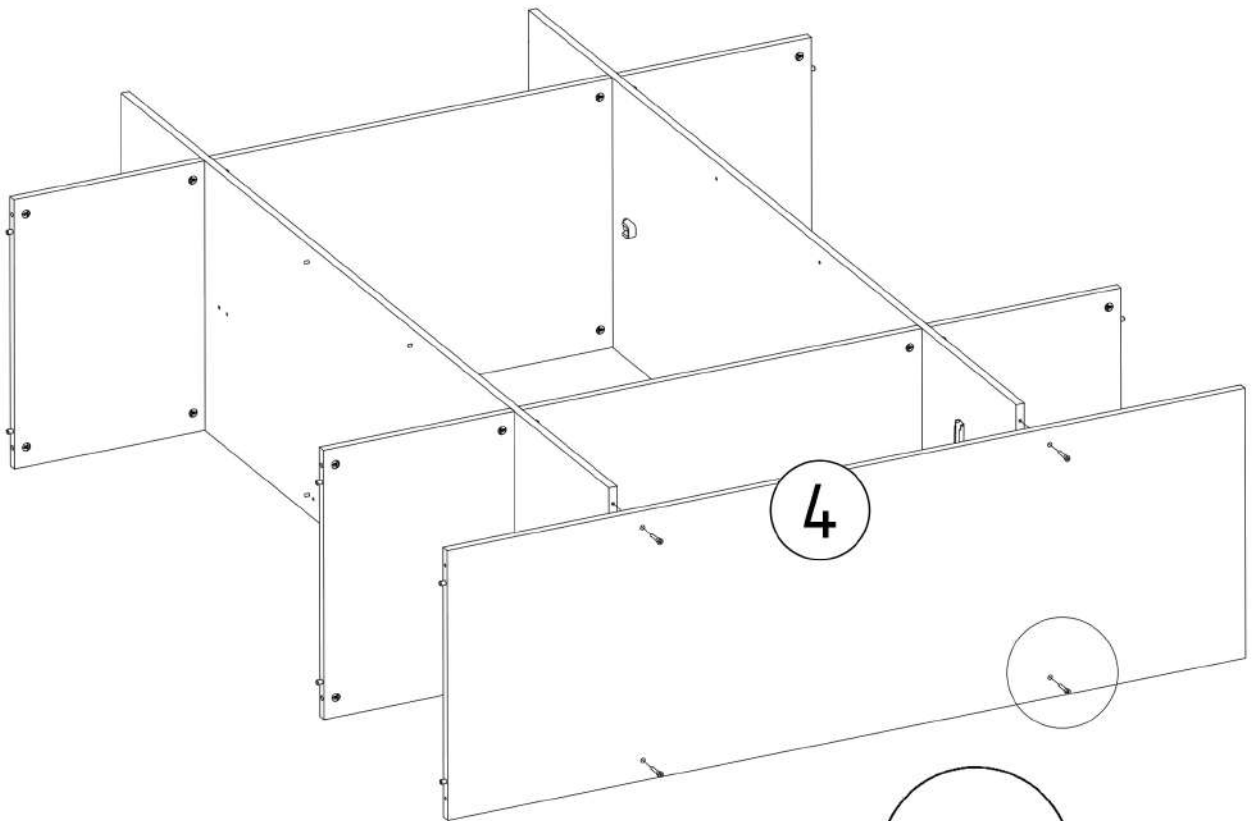






7x35mm X4

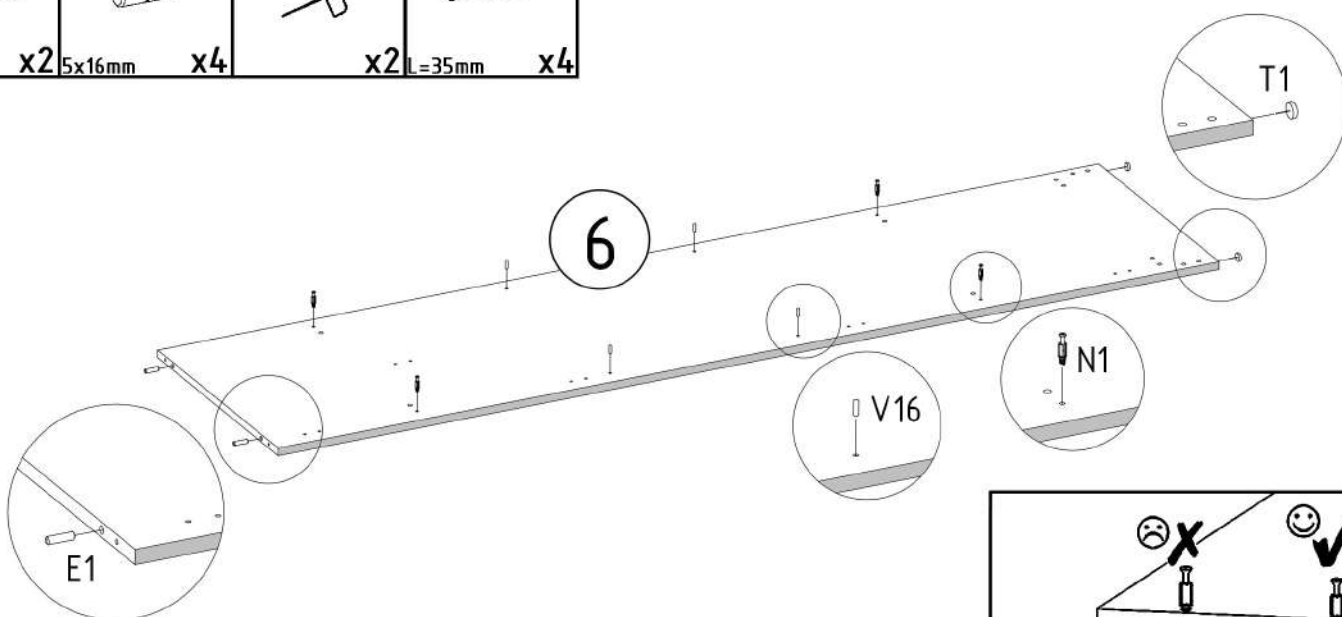
F3







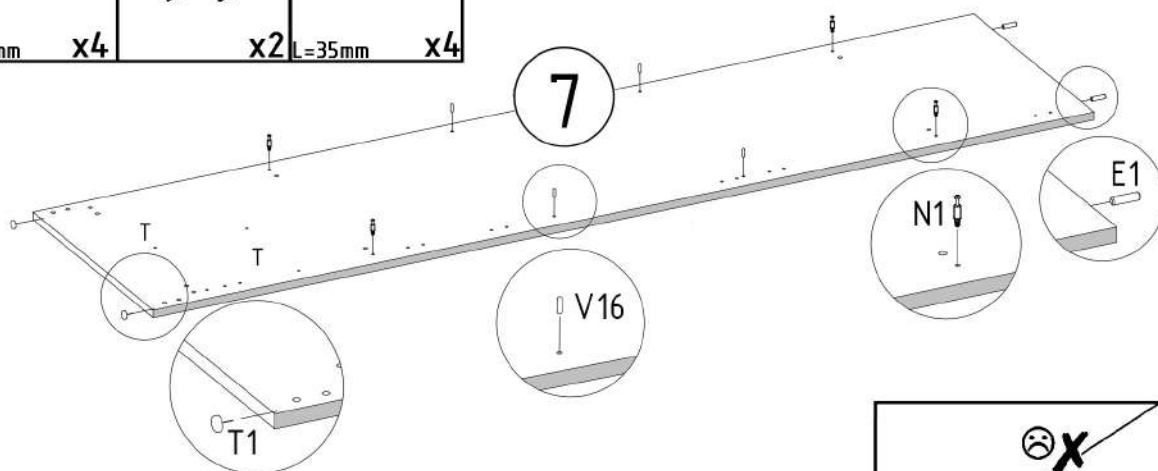
Hex 4mm





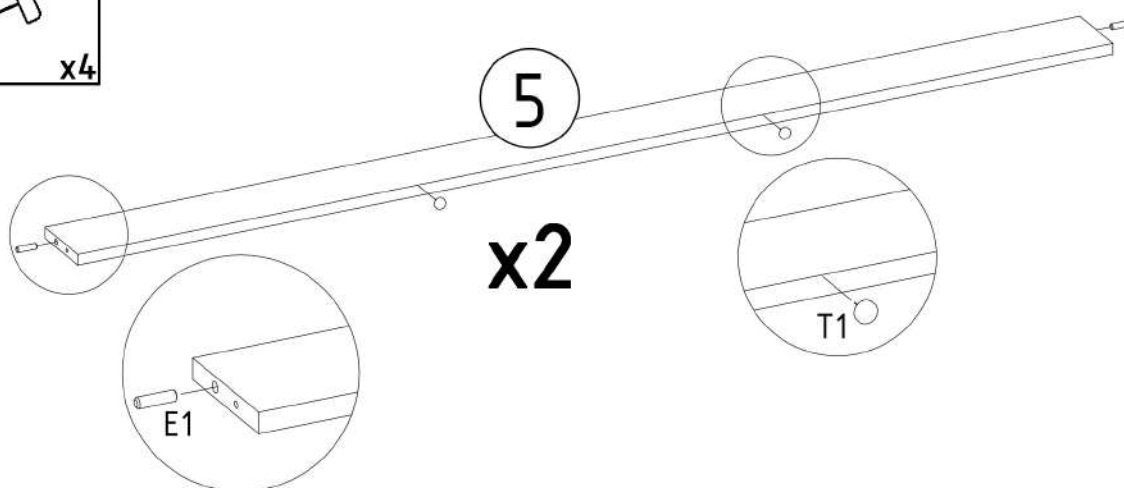
<b>E1</b>  8x30mm x2	<b>V16</b>  5x16mm x4	<b>T1</b>  x2	<b>N1</b>  L=35mm x4
--	--	--	---

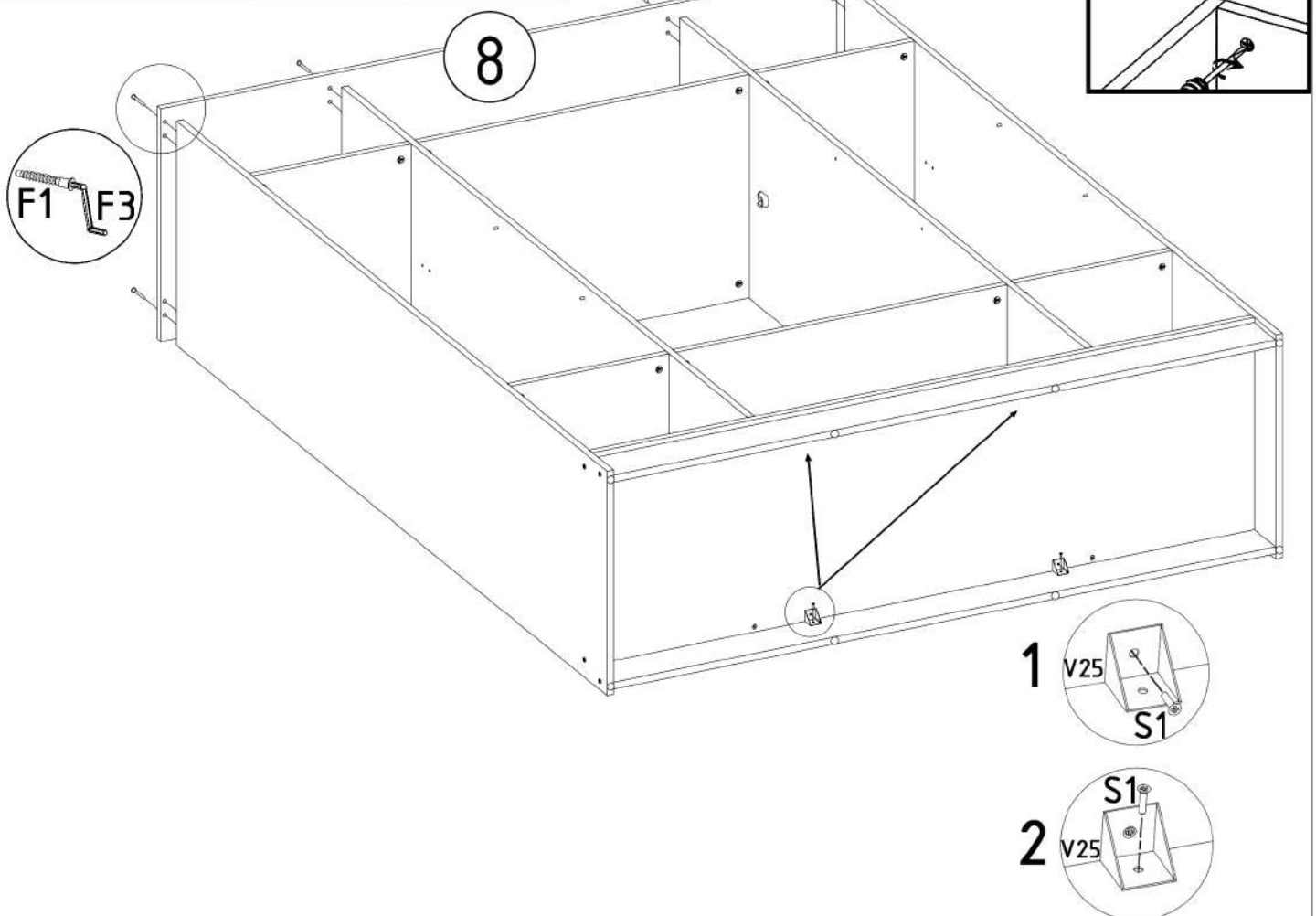
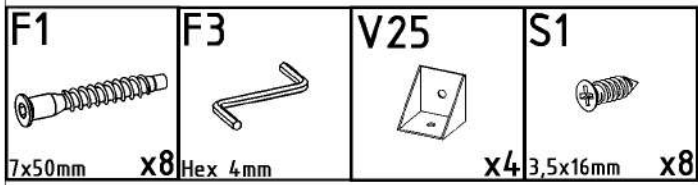
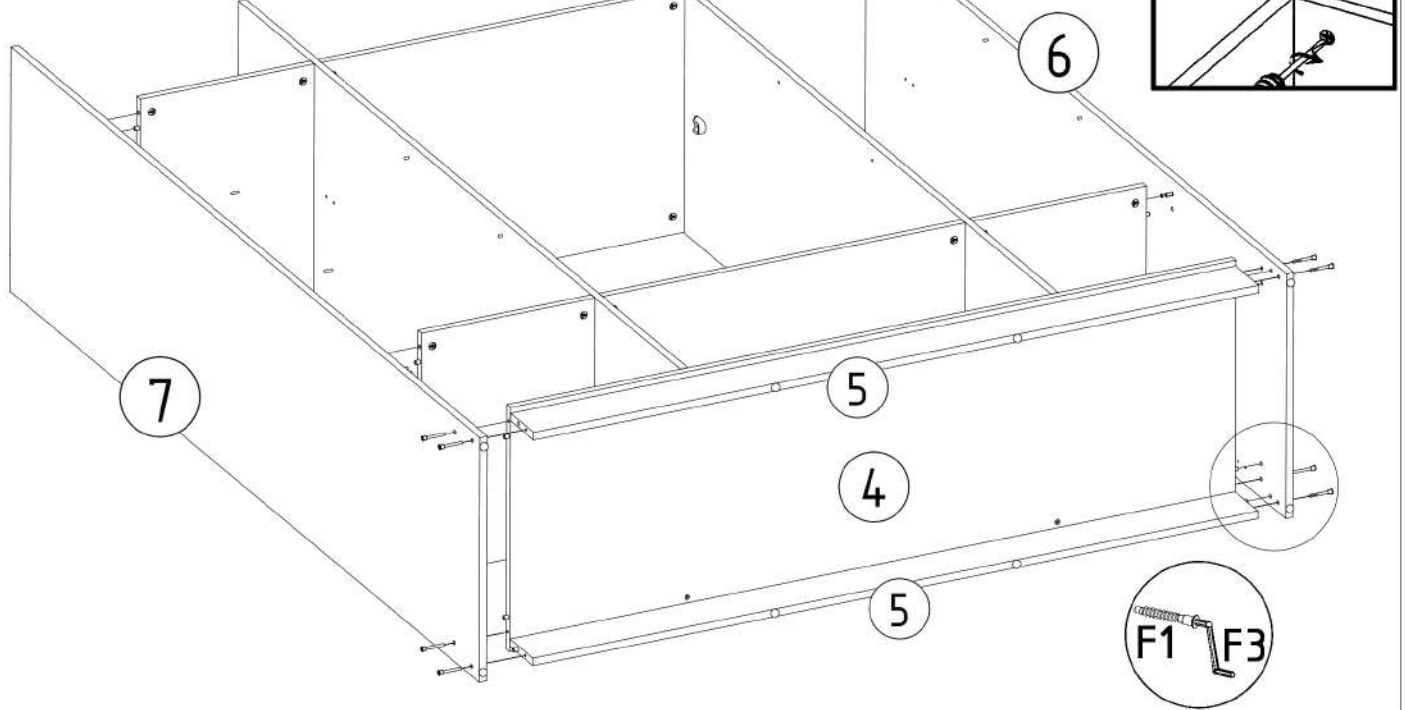
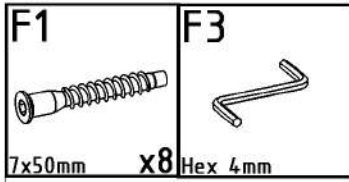





<b>E1</b>  8x30mm x2	<b>V16</b>  5x16mm x4	<b>T1</b>  x2	<b>N1</b>  L=35mm x4
--	--	--	---

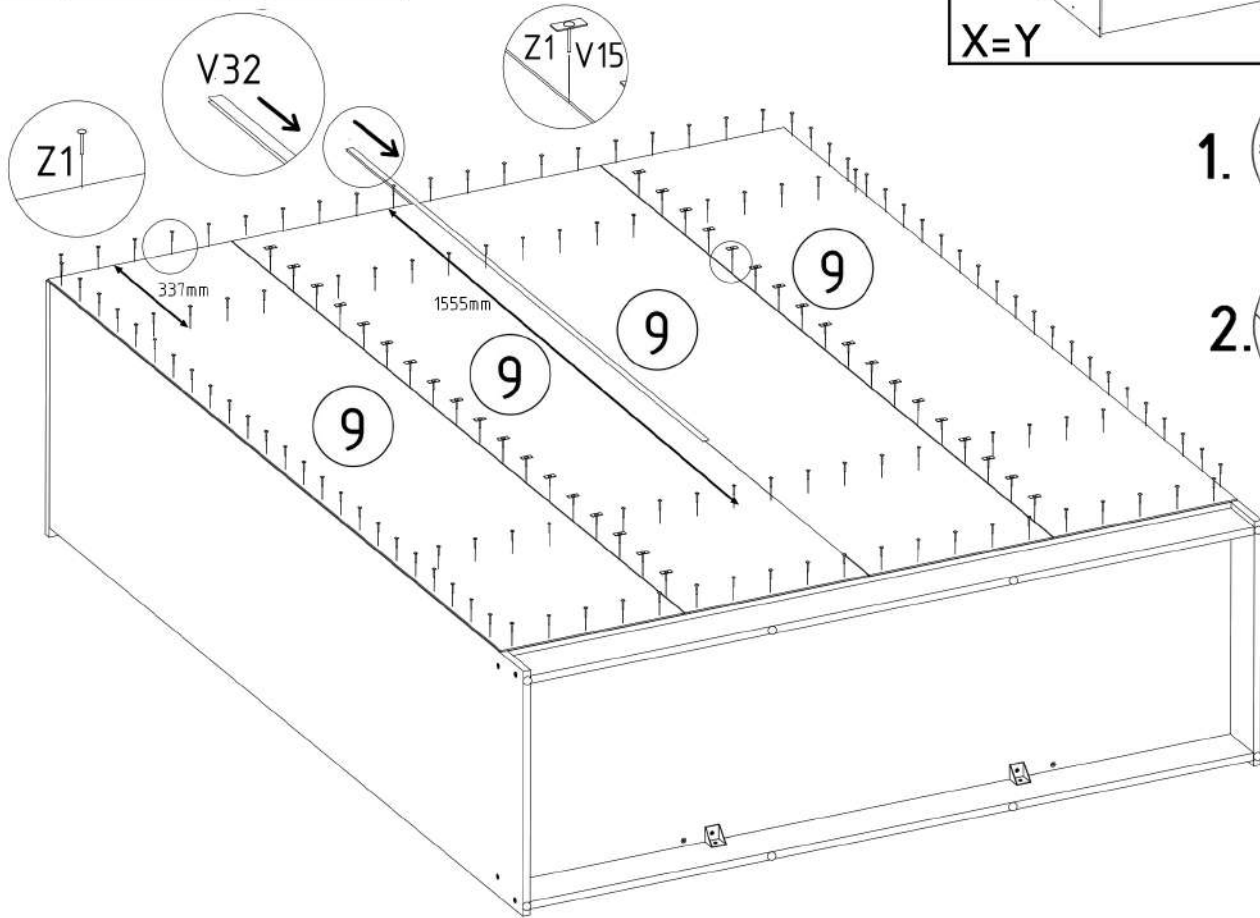
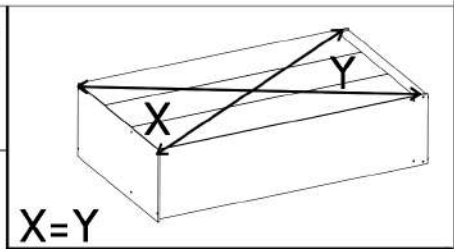




<b>E1</b>  8x30mm x4	<b>T1</b>  x4
--	--





<p><b>Z1</b></p>  <p>x164</p>	<p><b>V15</b></p> 	<p><b>V32</b></p>  <p>x30 L=1529mm x1</p>
--	---	---

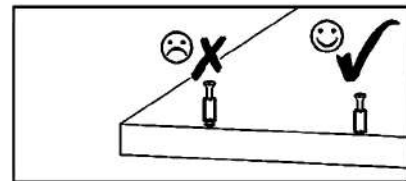
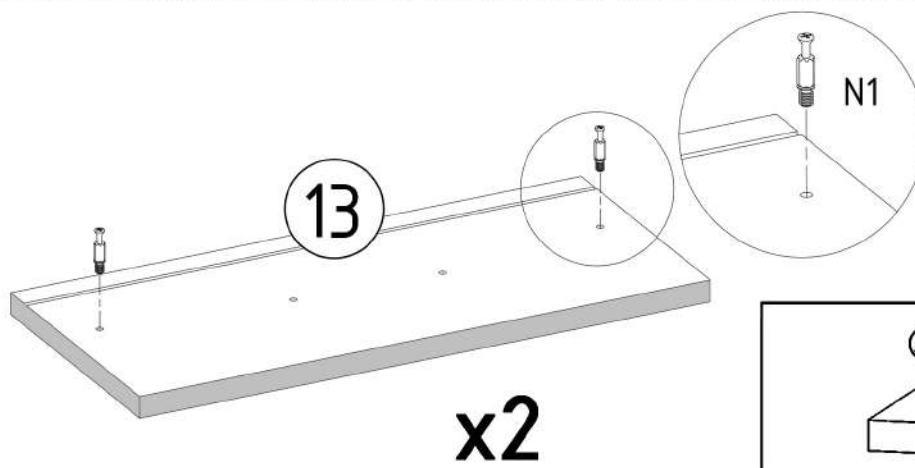


1. 
2. 


**N1**



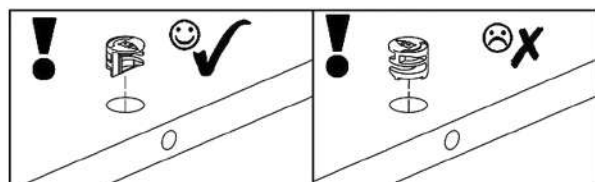
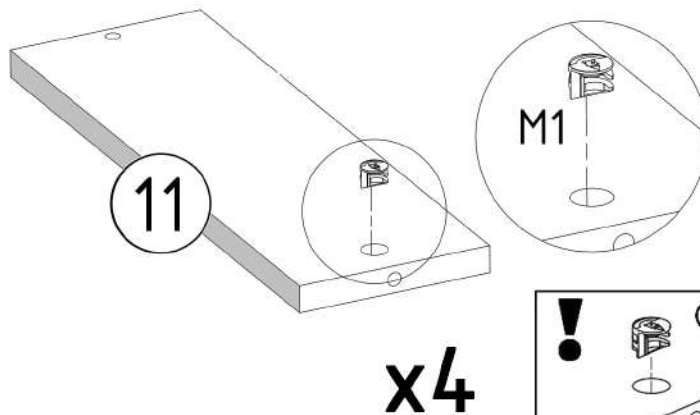
L=35mm x4

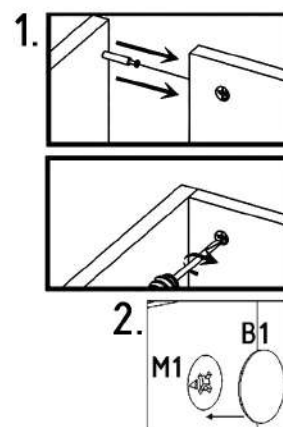
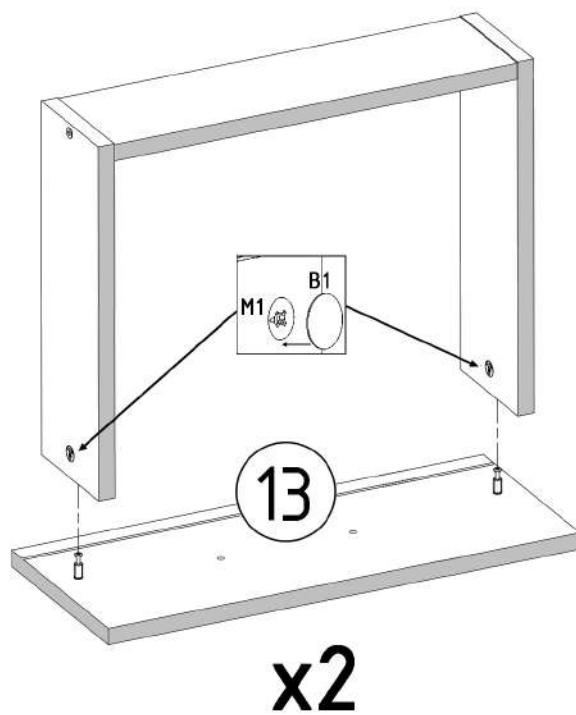
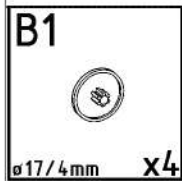
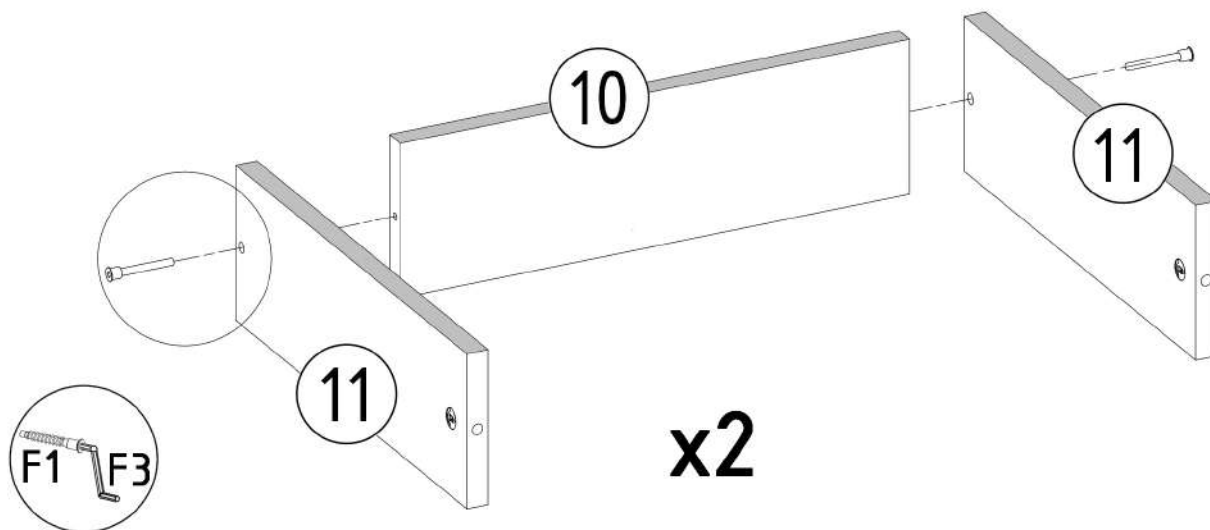
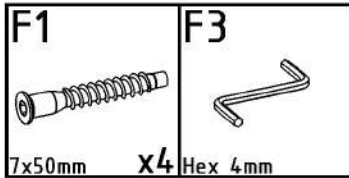


**M1**




12x15mm x4

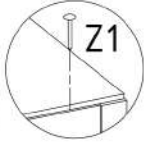
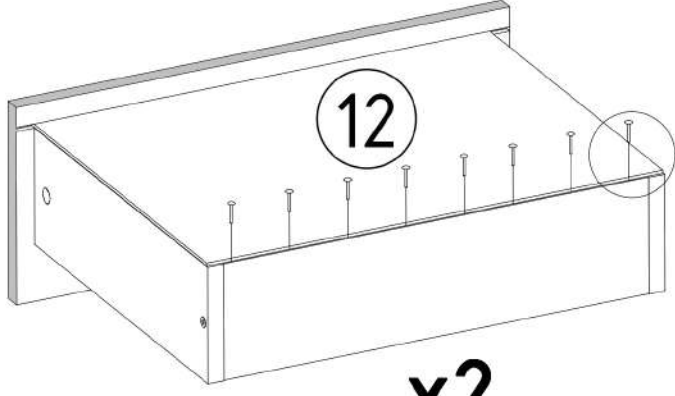
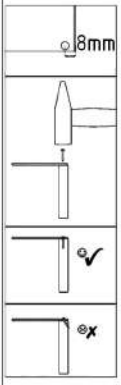
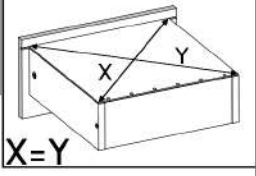




**Z1**



x16



x2

**S1**

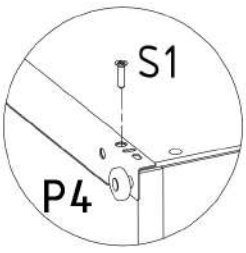
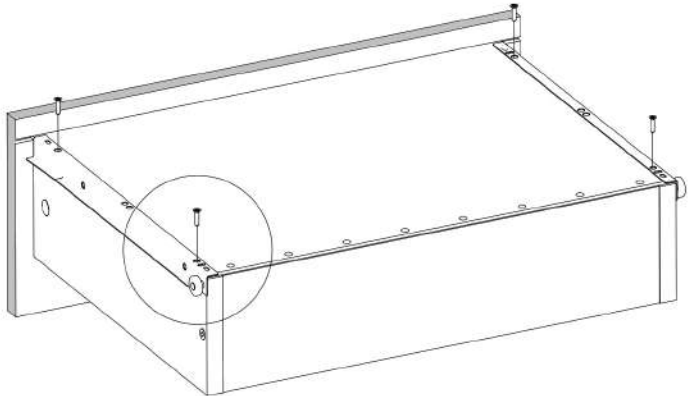


3,5x16mm x8

**P4**




L=400mm x2



x2

**A1**

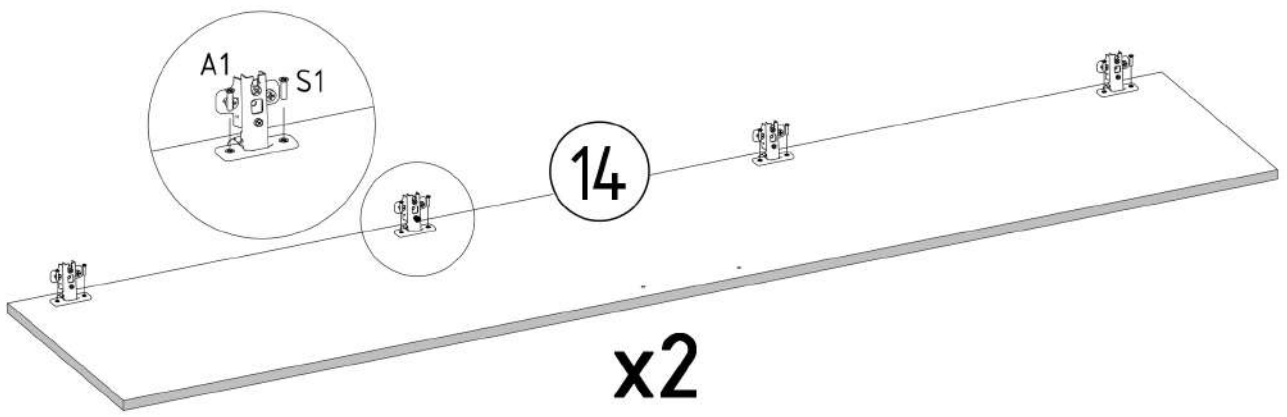


ZP x8

**S1**


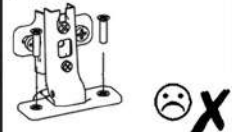


3,5x16mm x16

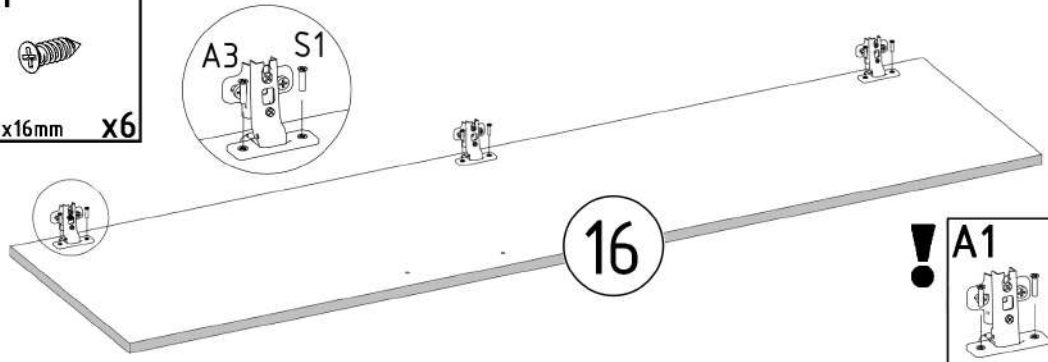


x2

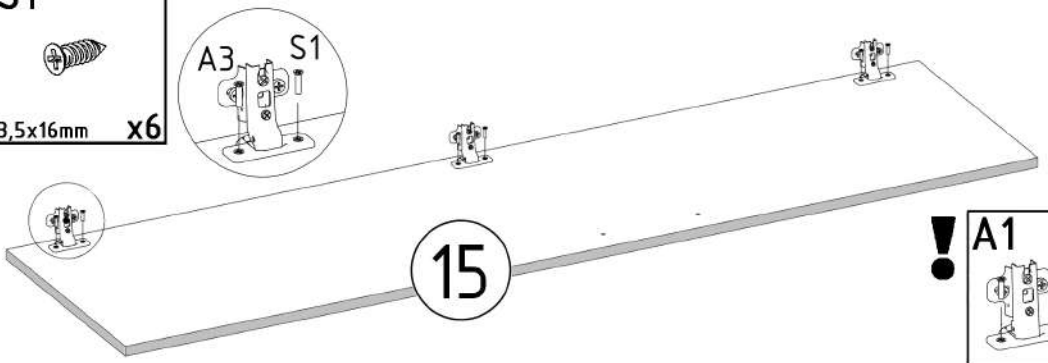
**!**

<p><b>A1</b></p> 	<p><b>A3</b></p> 
--	--

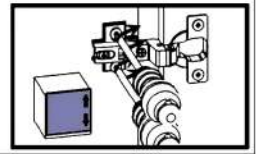
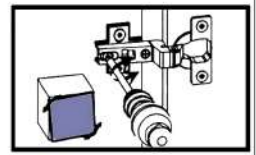
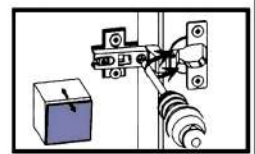
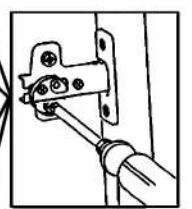
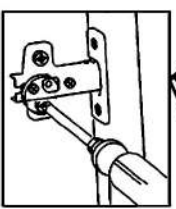
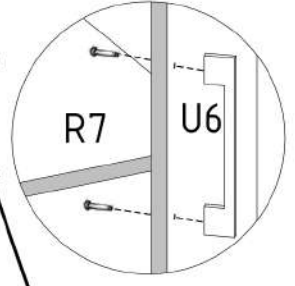
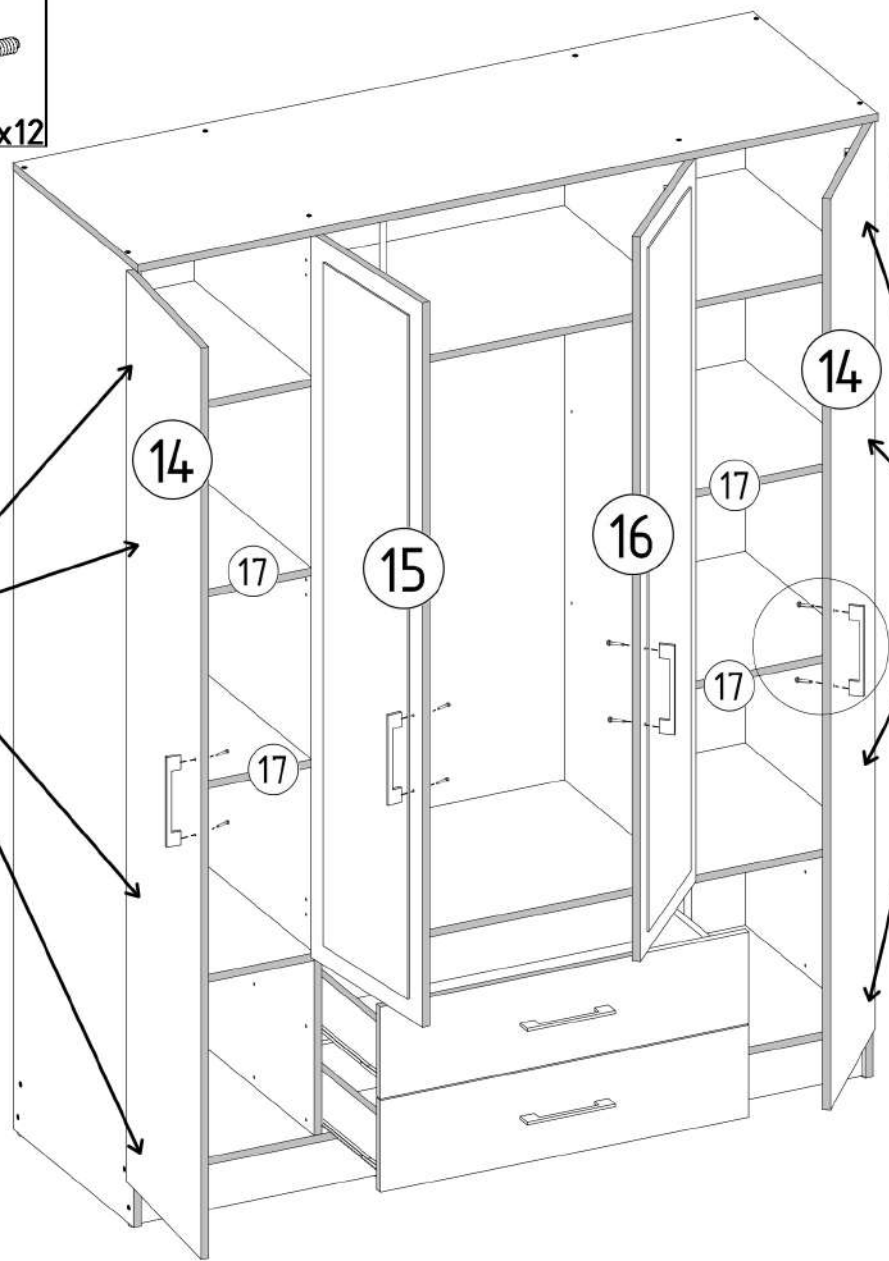
**A3** **S1**  
ZB x3 3,5x16mm x6

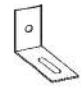





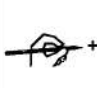


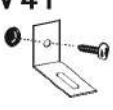
**A3** **S1**  
ZB x3 3,5x16mm x6


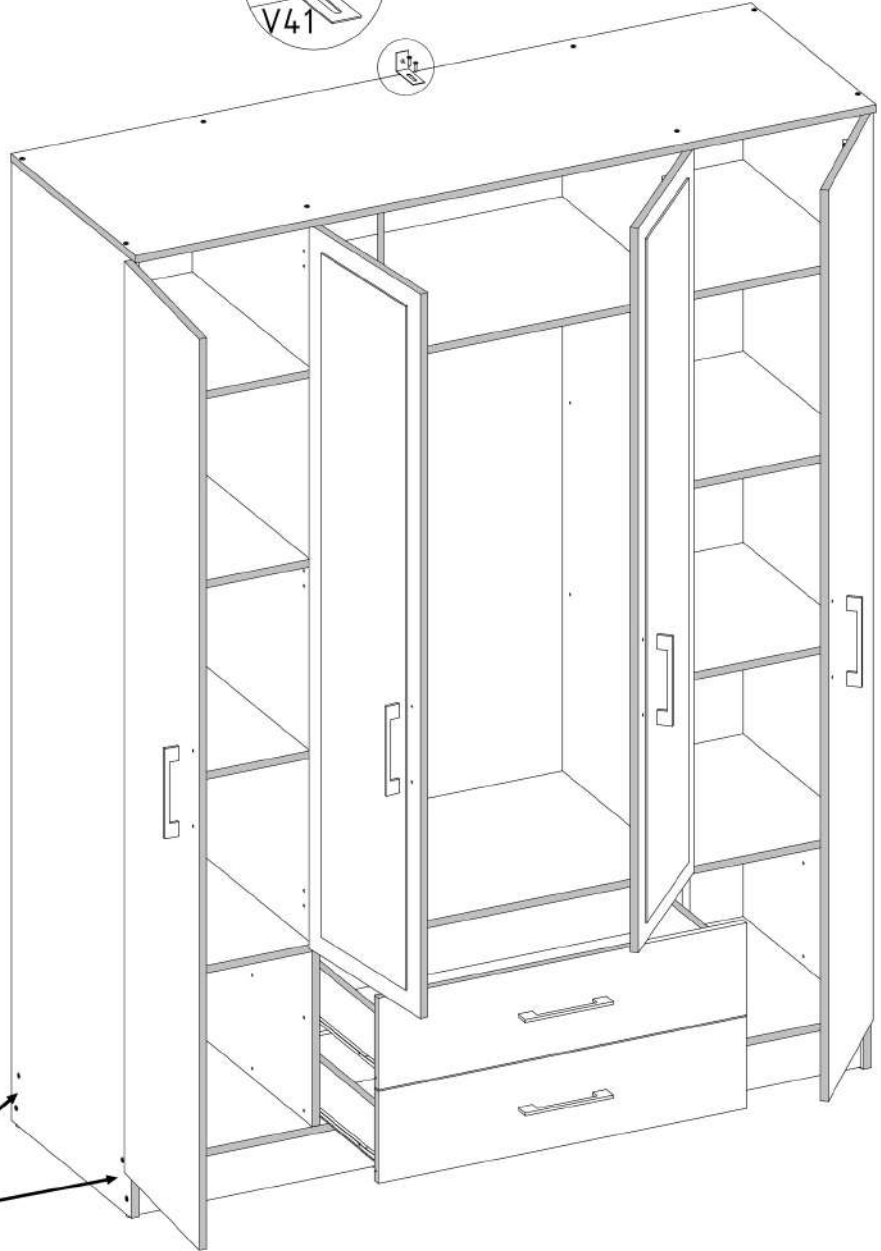
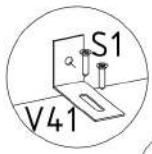
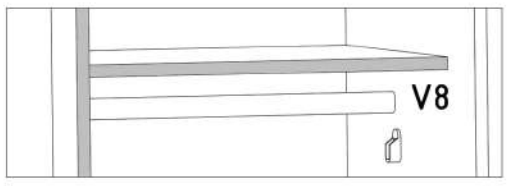


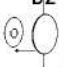
**U6** **R7**  
L=208/160mm X6 4x27mm x12



<b>V41</b>  <b>x1</b>	<b>S1</b>  <b>x2</b> 3,5x16mm	<b>B2</b>  <b>x8</b> ø12/4mm
--	---	--

				<b>V41</b> 
--	--	--	--	--

**V8**  
  
**x1**  
 L=773mm


<b>B2</b> <b>F1</b> 
--