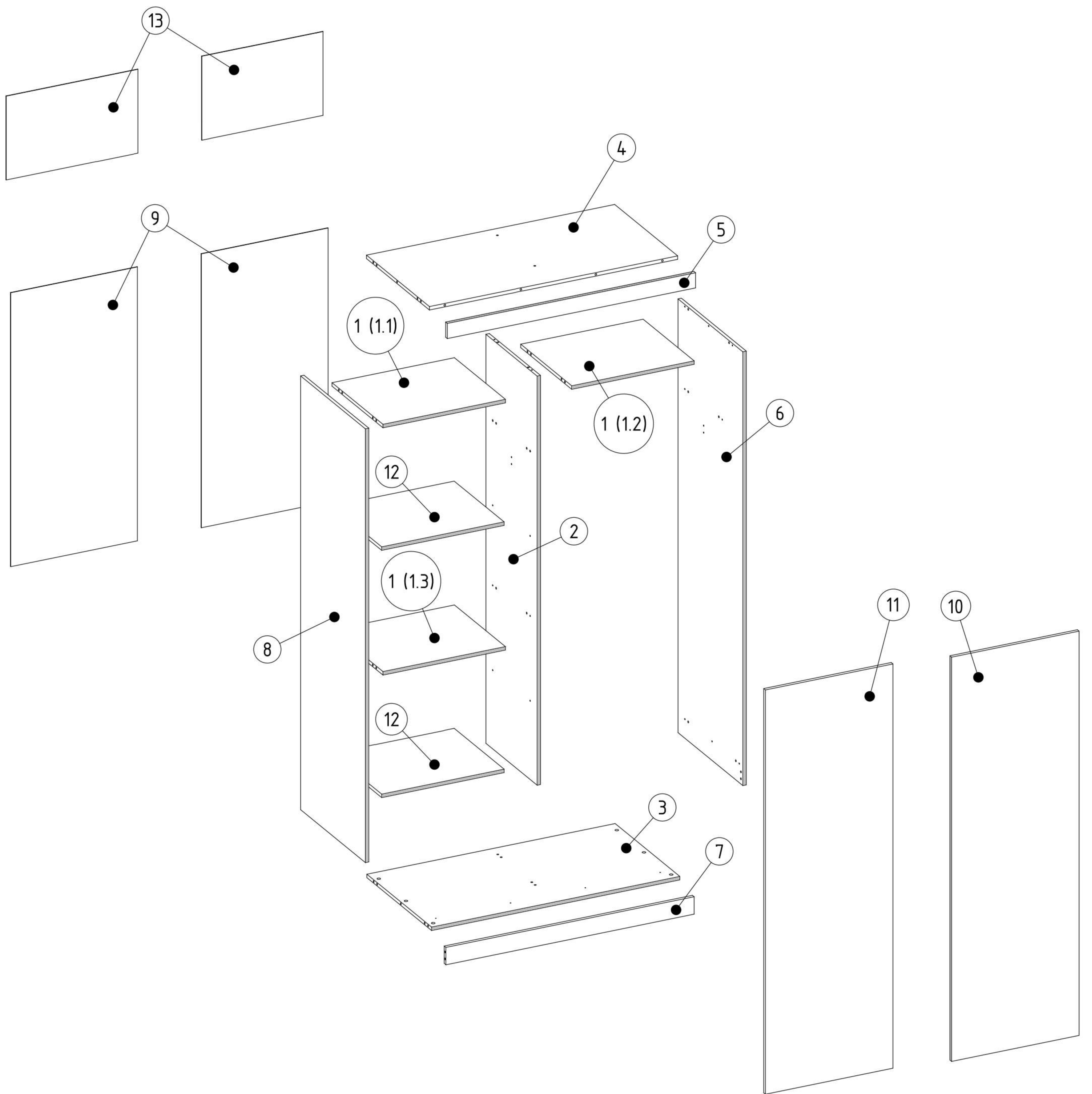

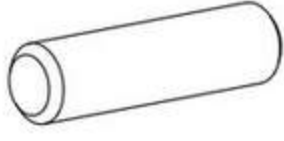
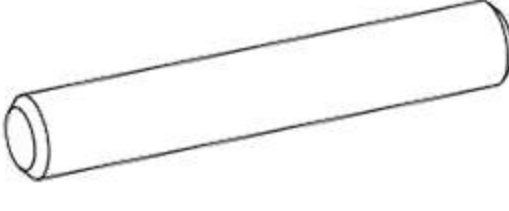


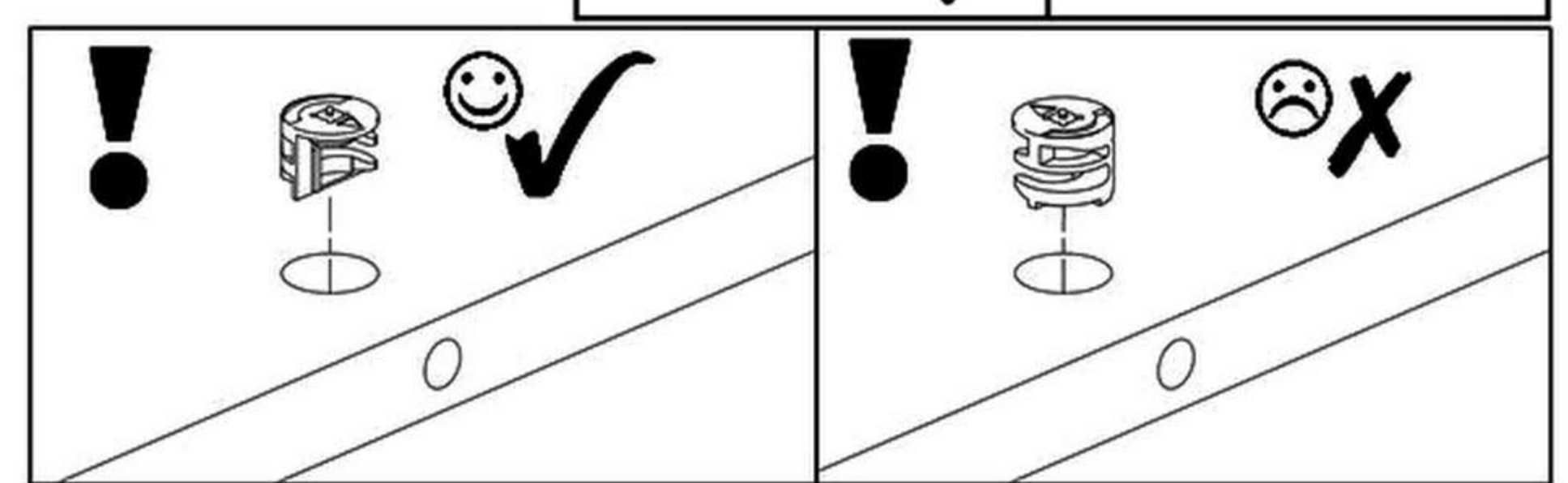
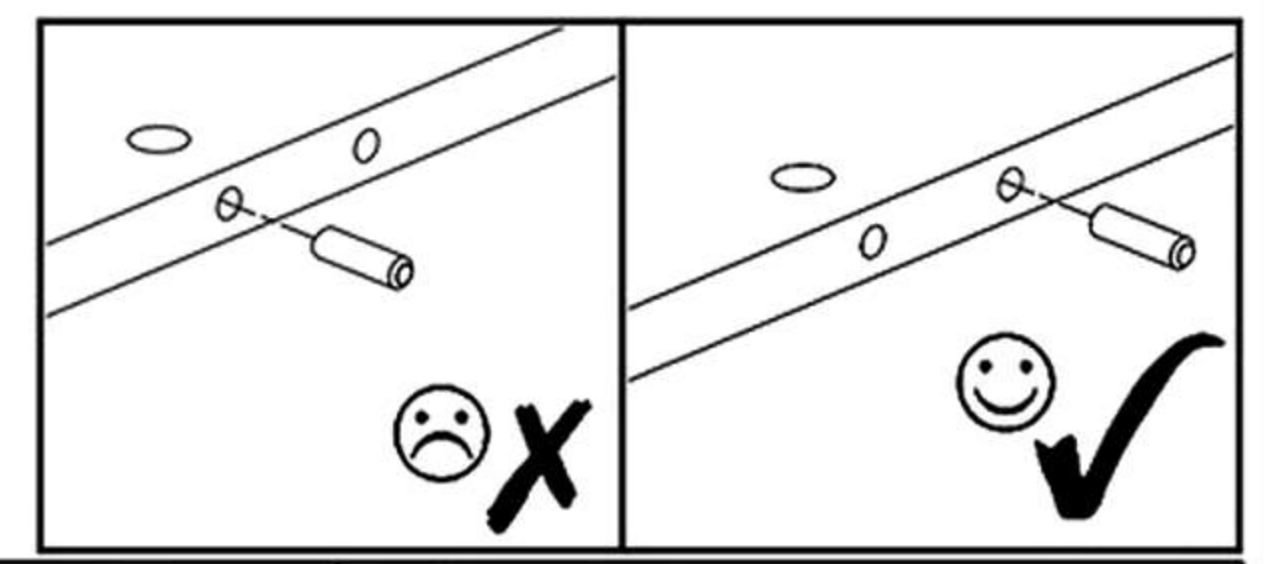
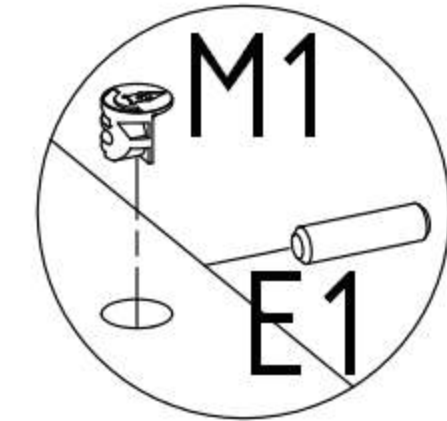
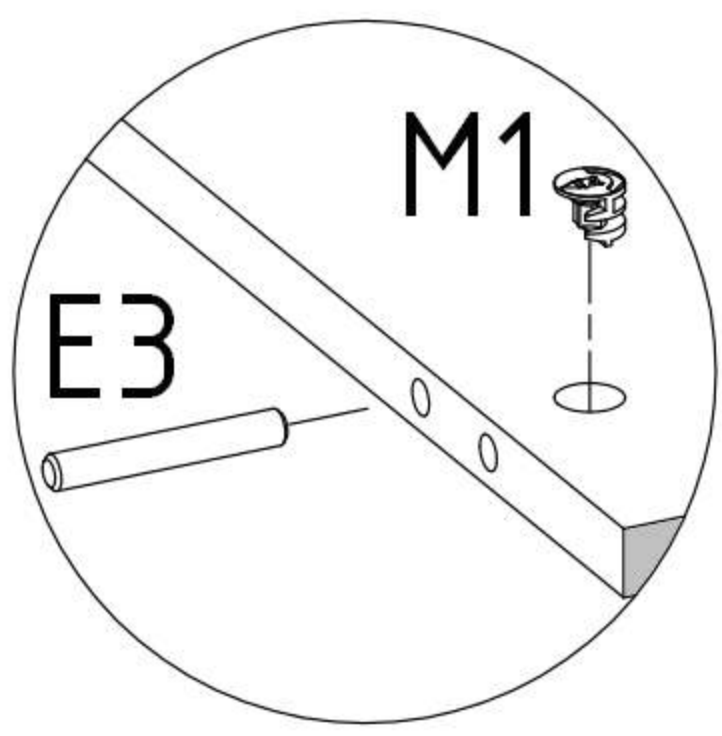
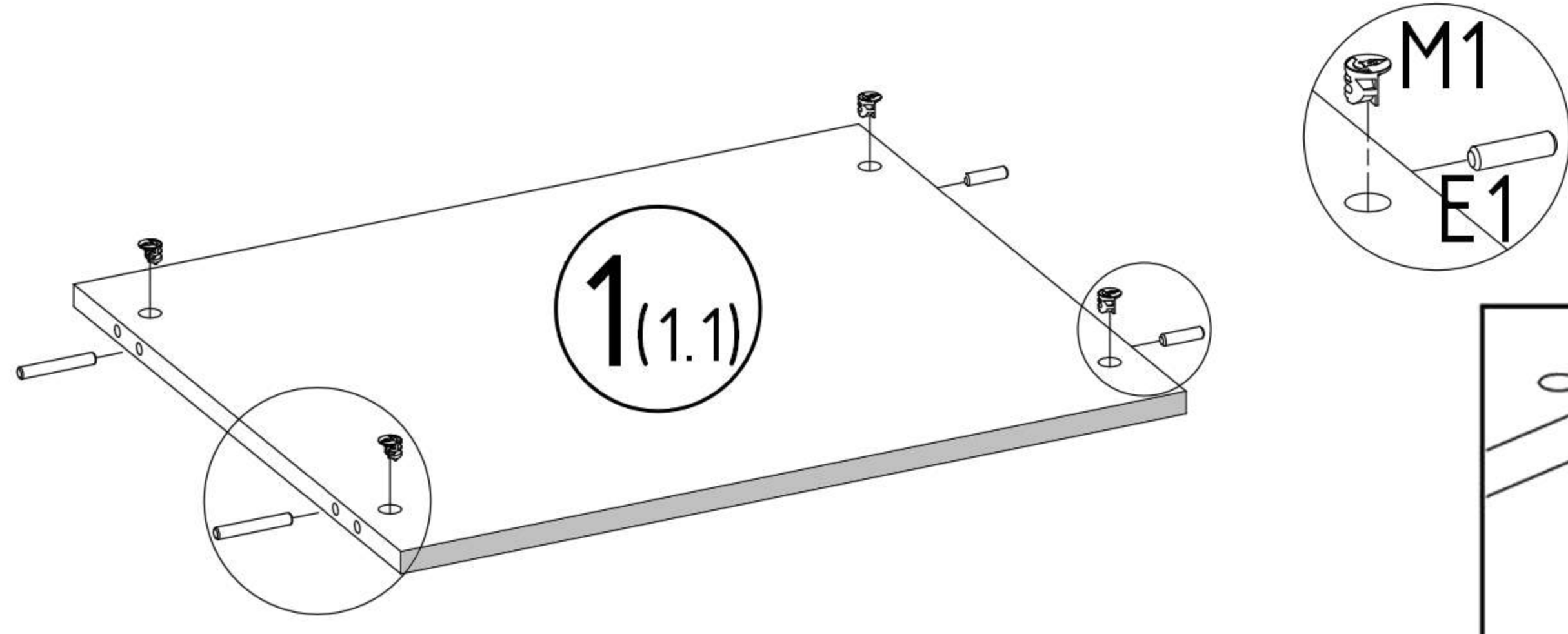
<b>A7</b>  x4	<b>A8</b>  x4	<b>U7</b>  L=1862mm x2	<b>K12</b>  L=1564mm x2	<b>K11</b>  x8	<b>U5</b>  L=765mm x1	
<b>K9</b>  x1	<b>K4</b>  x16	<b>L2</b>  L=768mm x4	<b>S6</b>  2,5x20 x16	<b>K1</b>  x1	<b>V7</b>  x2	<b>T4</b>  x1
<b>N1</b>  L=35mm x24	<b>M1</b>  12x15mm x28	<b>M2</b>  ø16mm B,S-A x10	<b>S1</b>  3,5x16mm x20	<b>E1</b>  8x30mm x24	<b>E3</b>  8x50mm x2	<b>K10</b>  x2
<b>Z1</b>  x150	<b>F1</b>  7x50mm x4	<b>K7</b>  5x16mm x8	<b>F3</b>  x1	<b>S10</b>  4x15 mm x24	<b>N4</b>  L=62mm x2	<b>T1</b>  x6


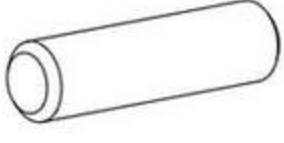


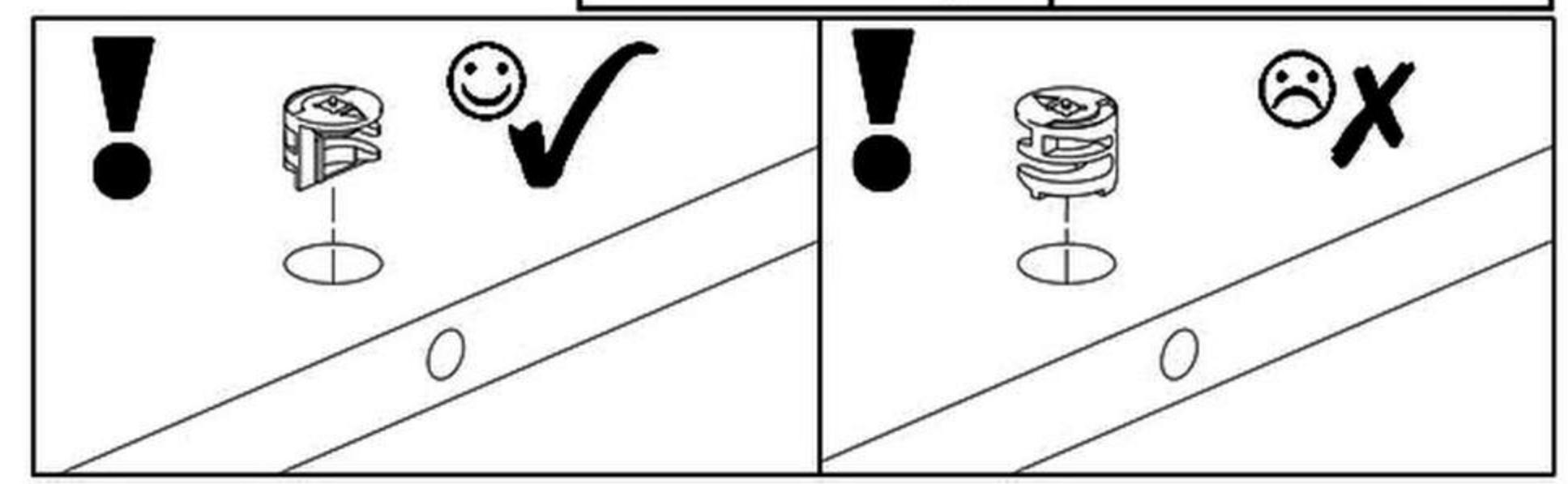
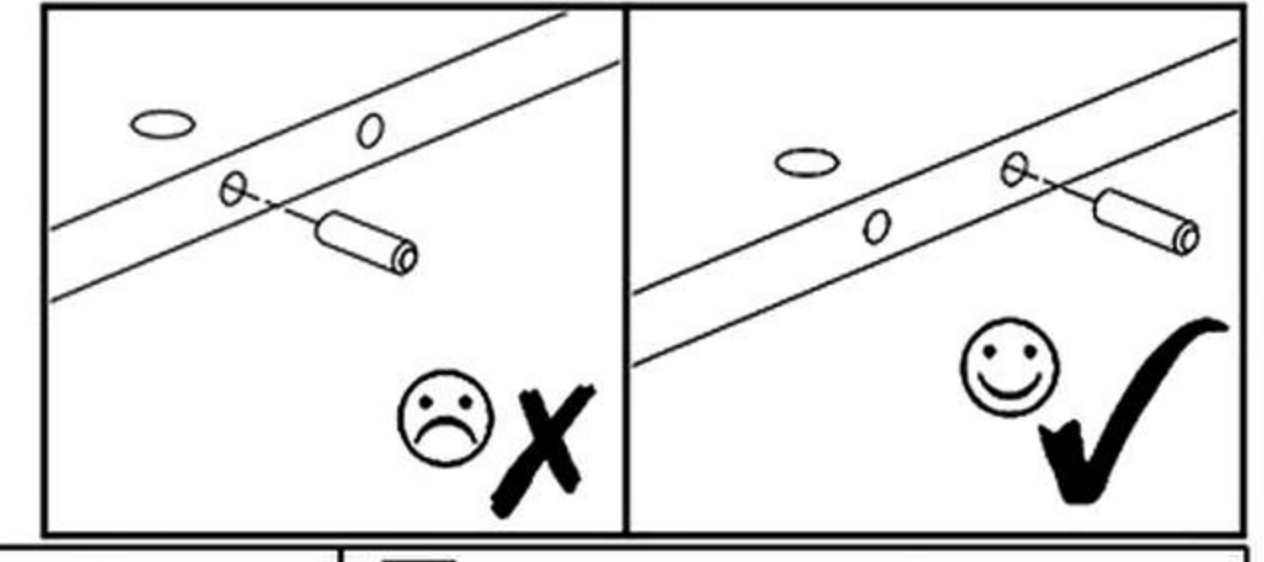
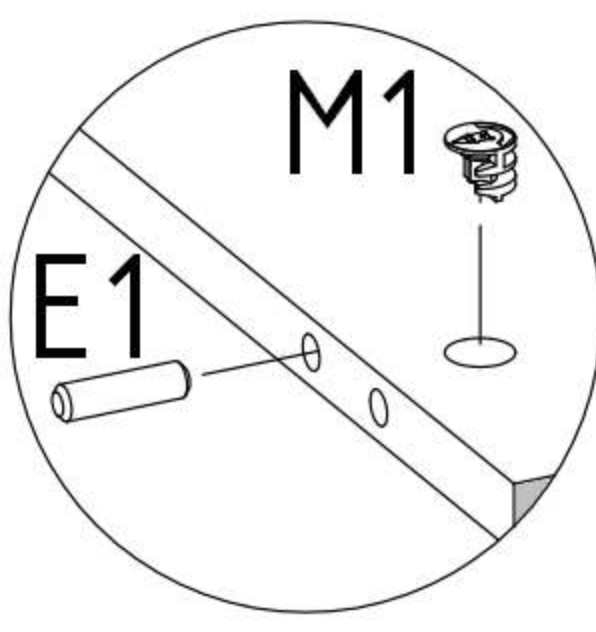
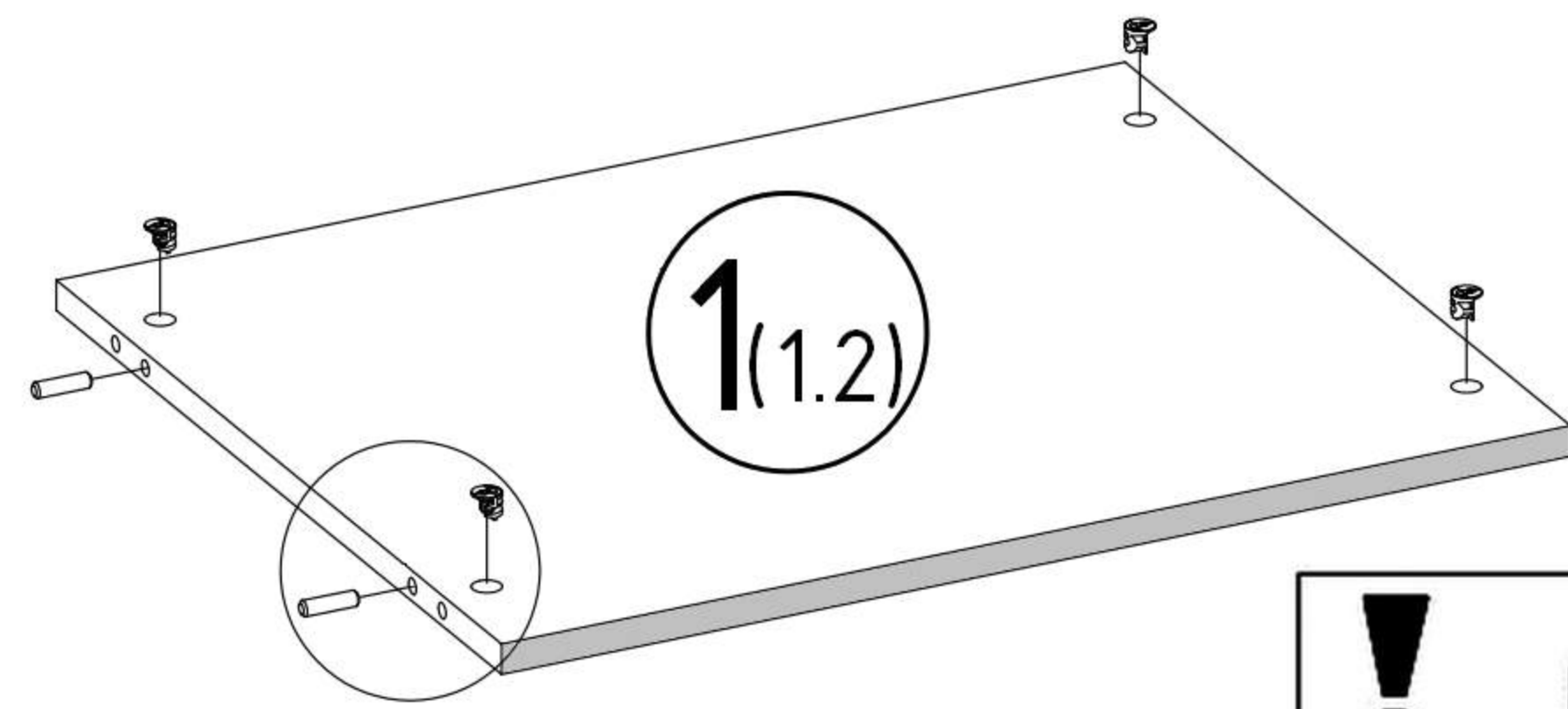
<b>1</b>	x	3
<b>2</b>	x	1
<b>3</b>	x	1
<b>4</b>	x	1
<b>5</b>	x	1
<b>6</b>	x	1



<b>7</b>	x	1
<b>8</b>	x	1
<b>9</b>	x	2
<b>10</b>	x	1
<b>11</b>	x	1
<b>12</b>	x	2
<b>13</b>	x	2

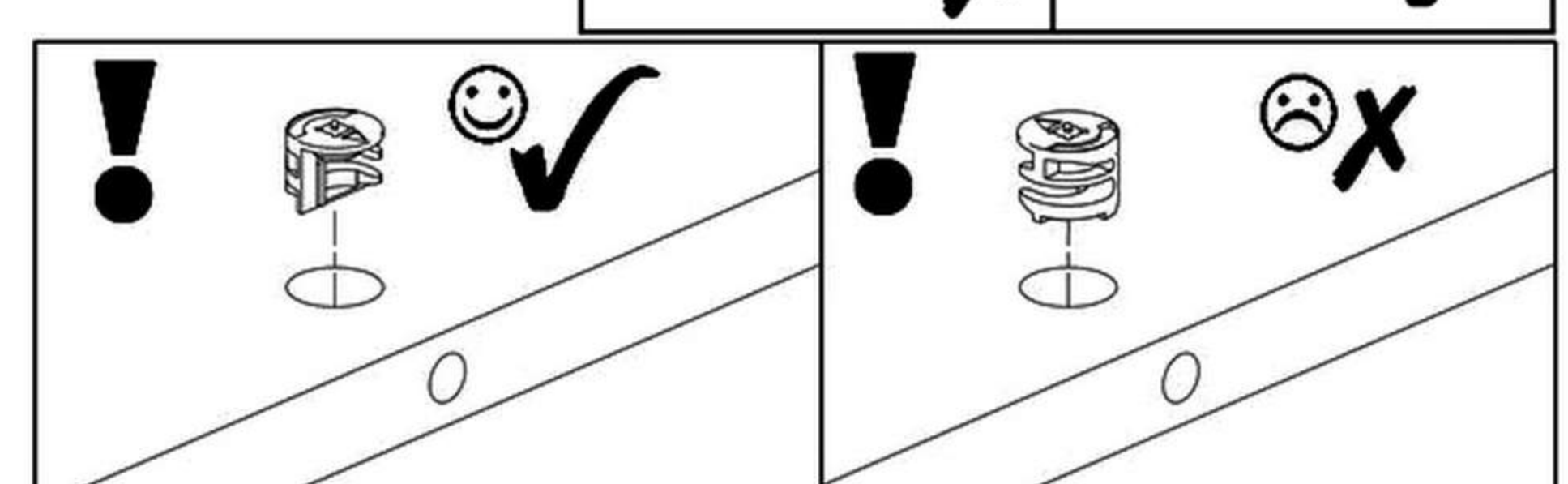
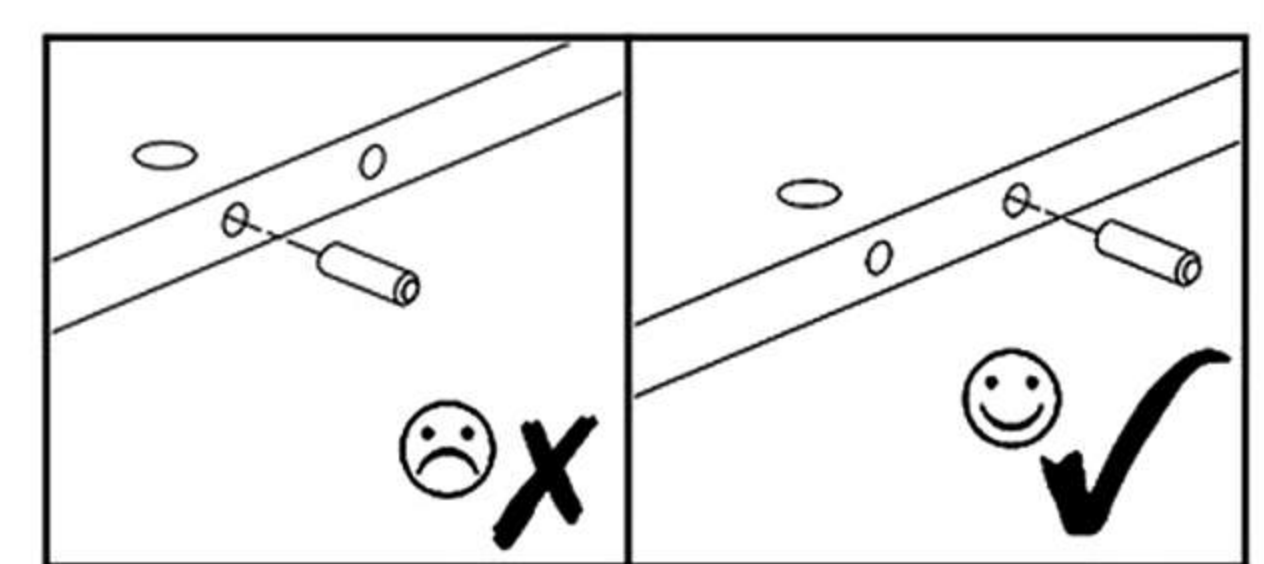
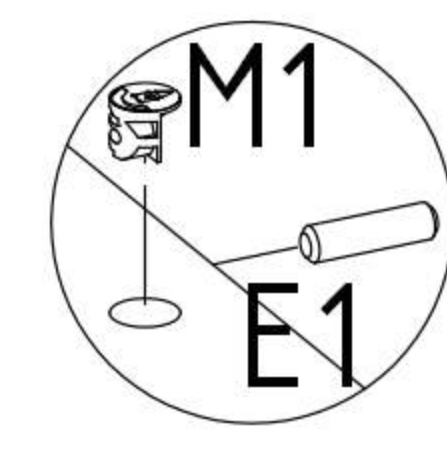
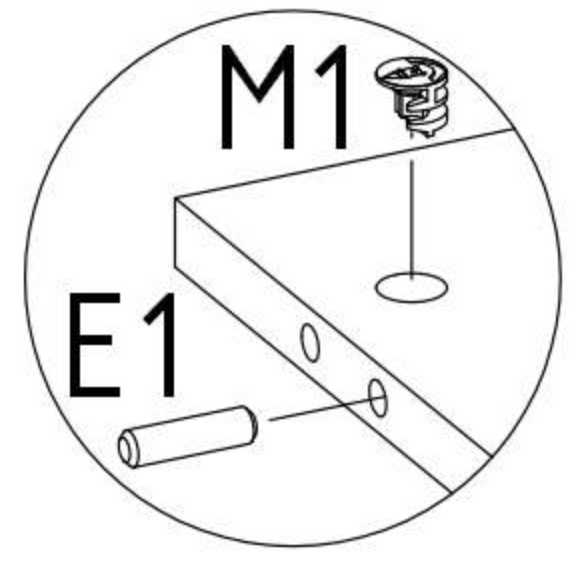
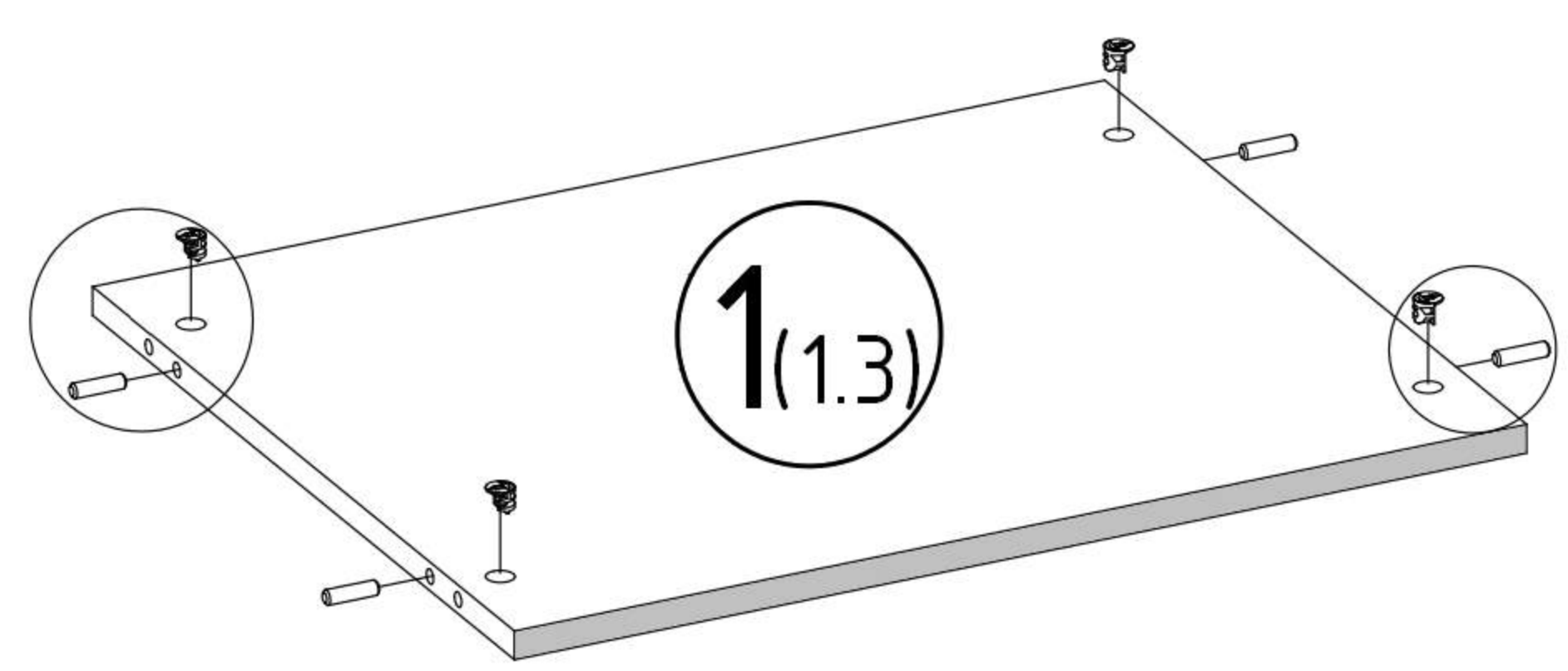
<b>M1</b> 	<b>E1</b> 	<b>E3</b> 
12x15mm <b>x4</b>	8x30mm <b>x2</b>	8x50mm <b>x2</b>


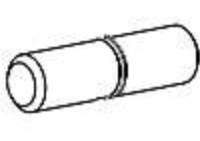
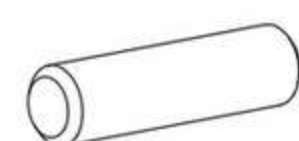


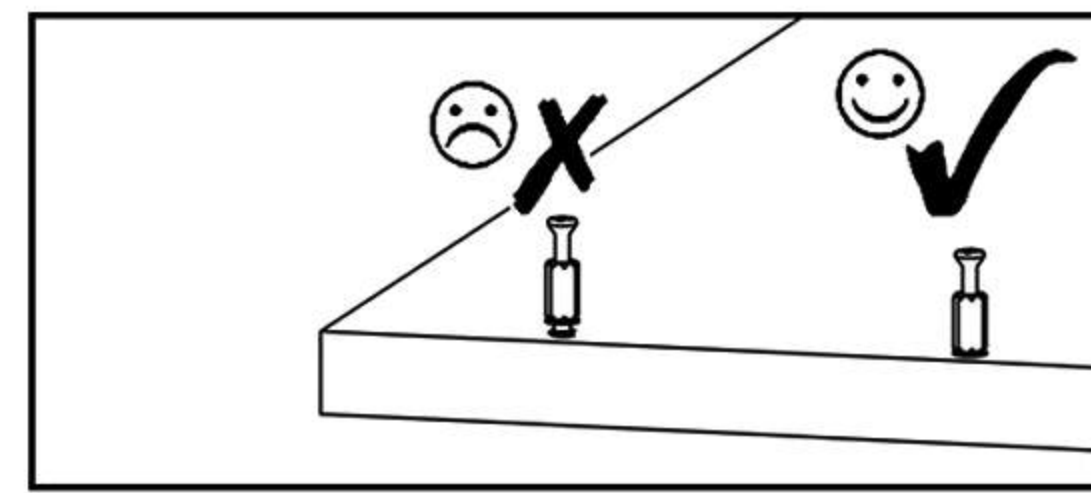
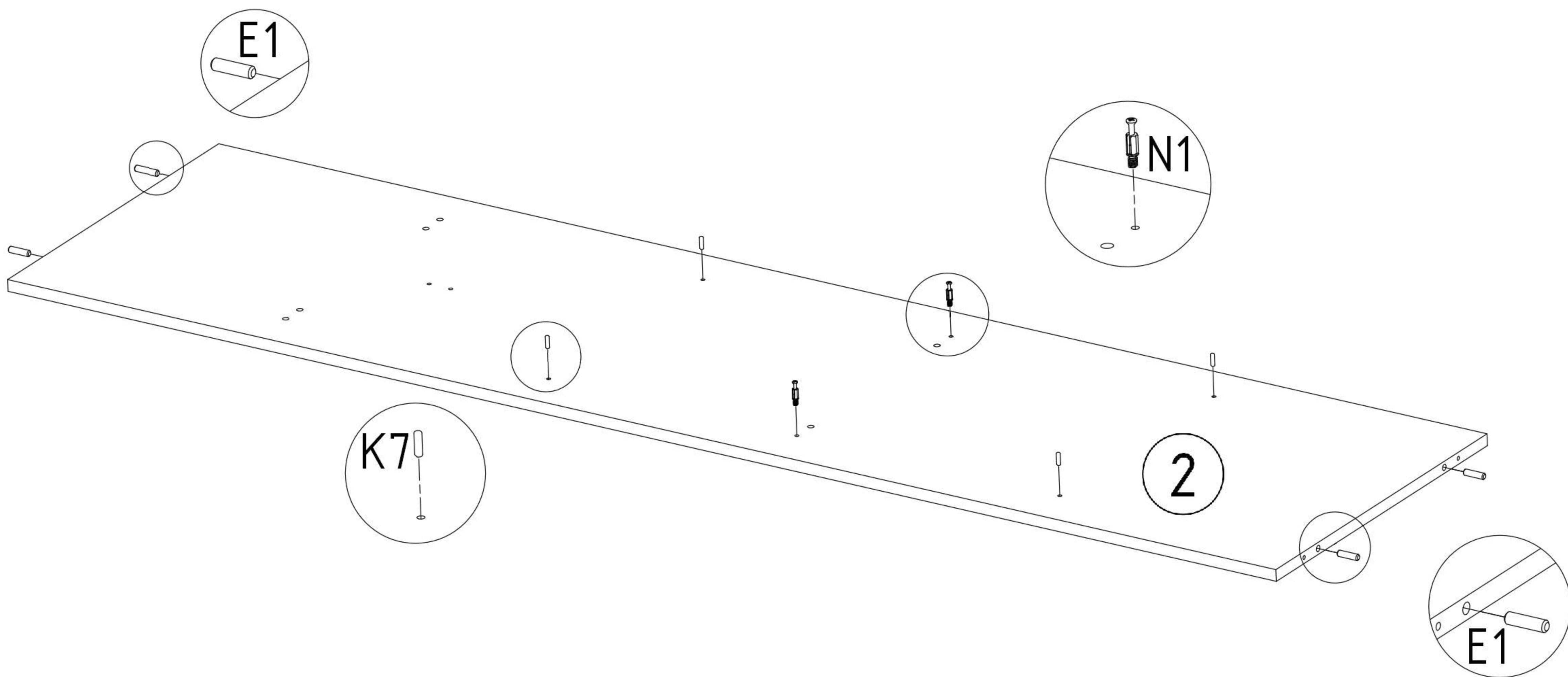
<b>M1</b> 	<b>E1</b> 
12x15mm <b>x4</b>	8x30mm <b>x2</b>


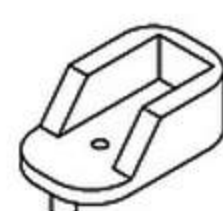


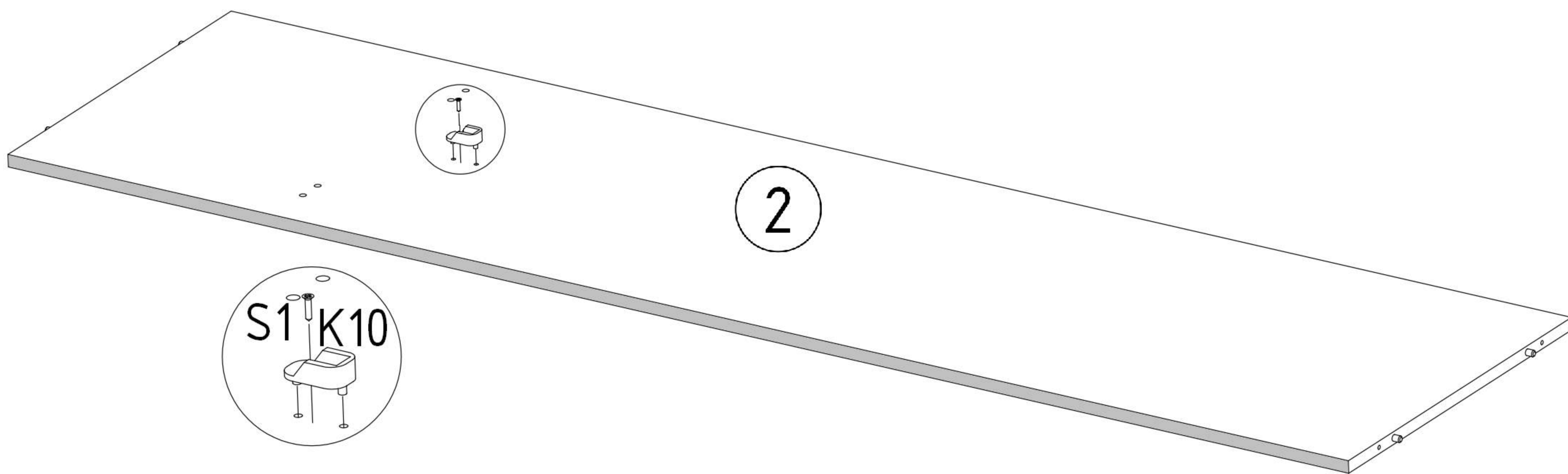
<b>M1</b> 	<b>E1</b> 
12x15mm <b>x4</b>	8x30mm <b>x4</b>

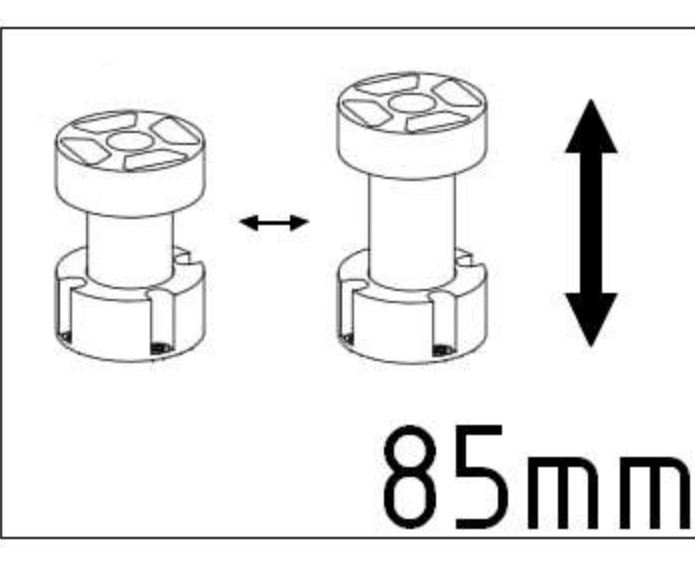
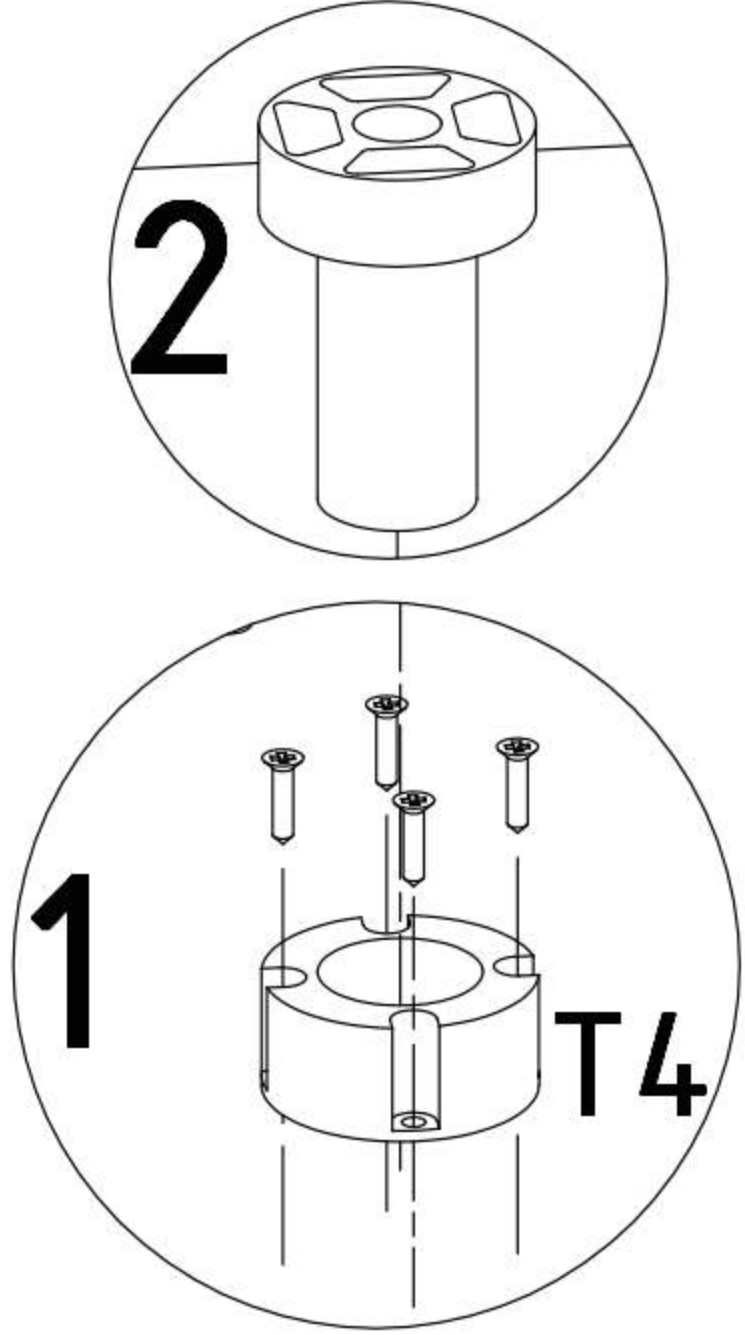
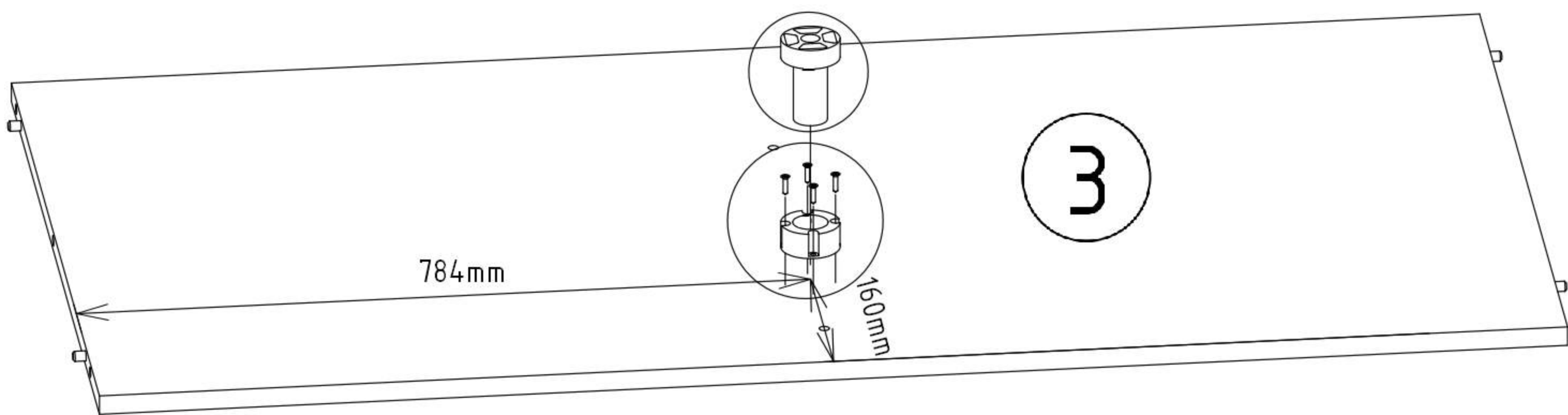
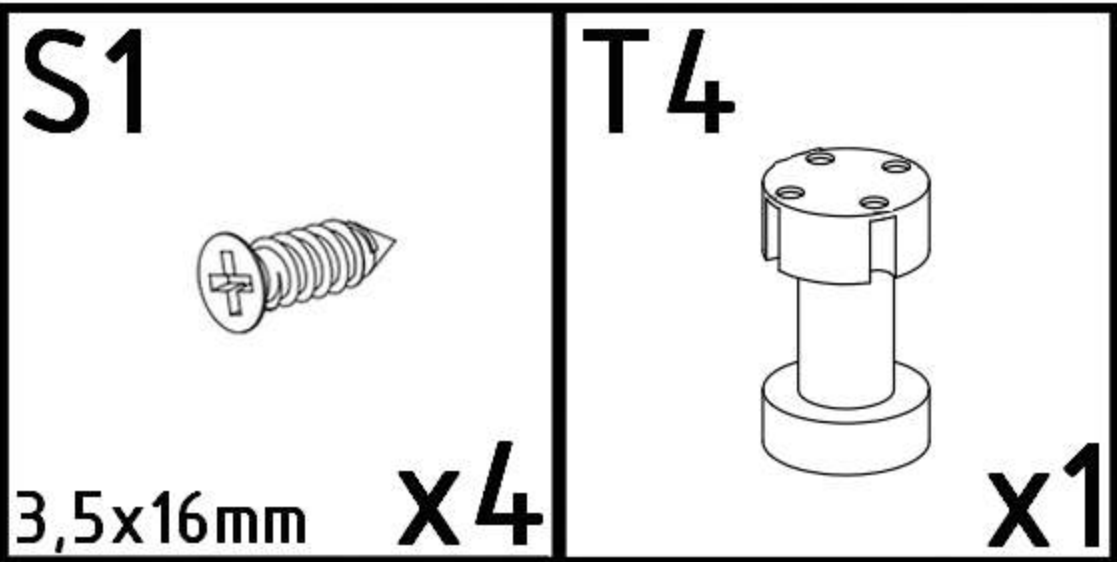
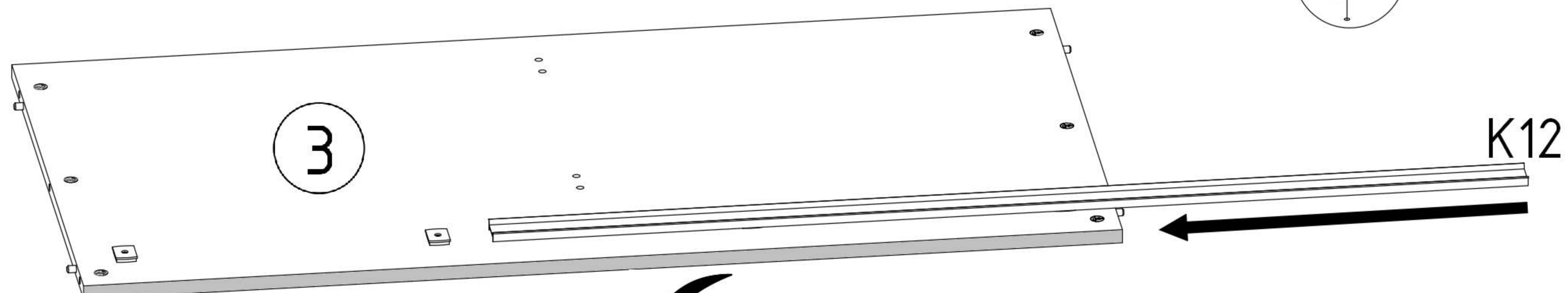
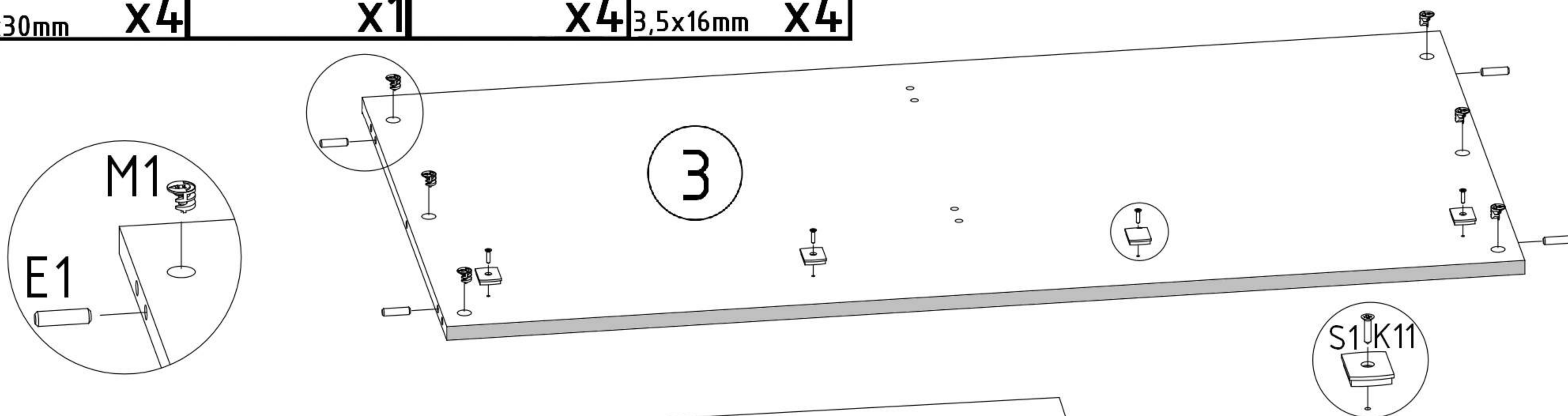
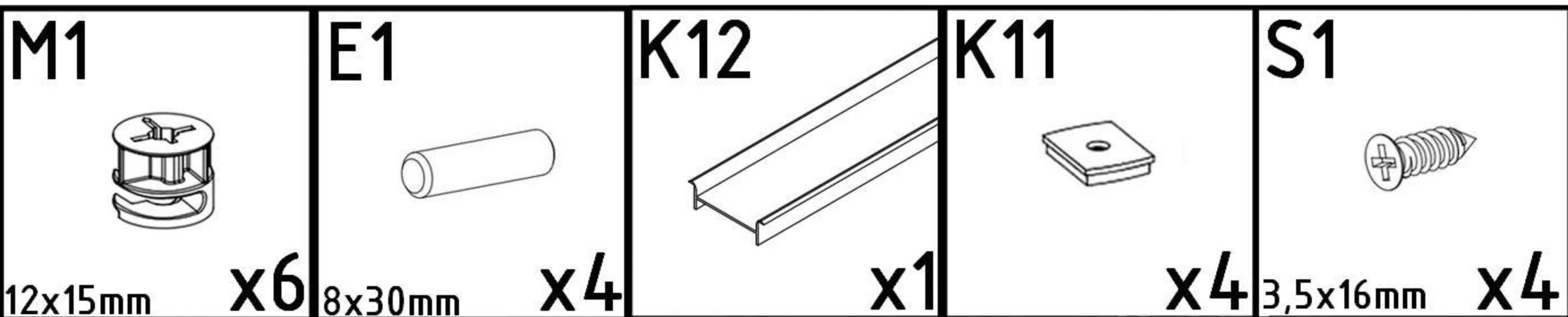
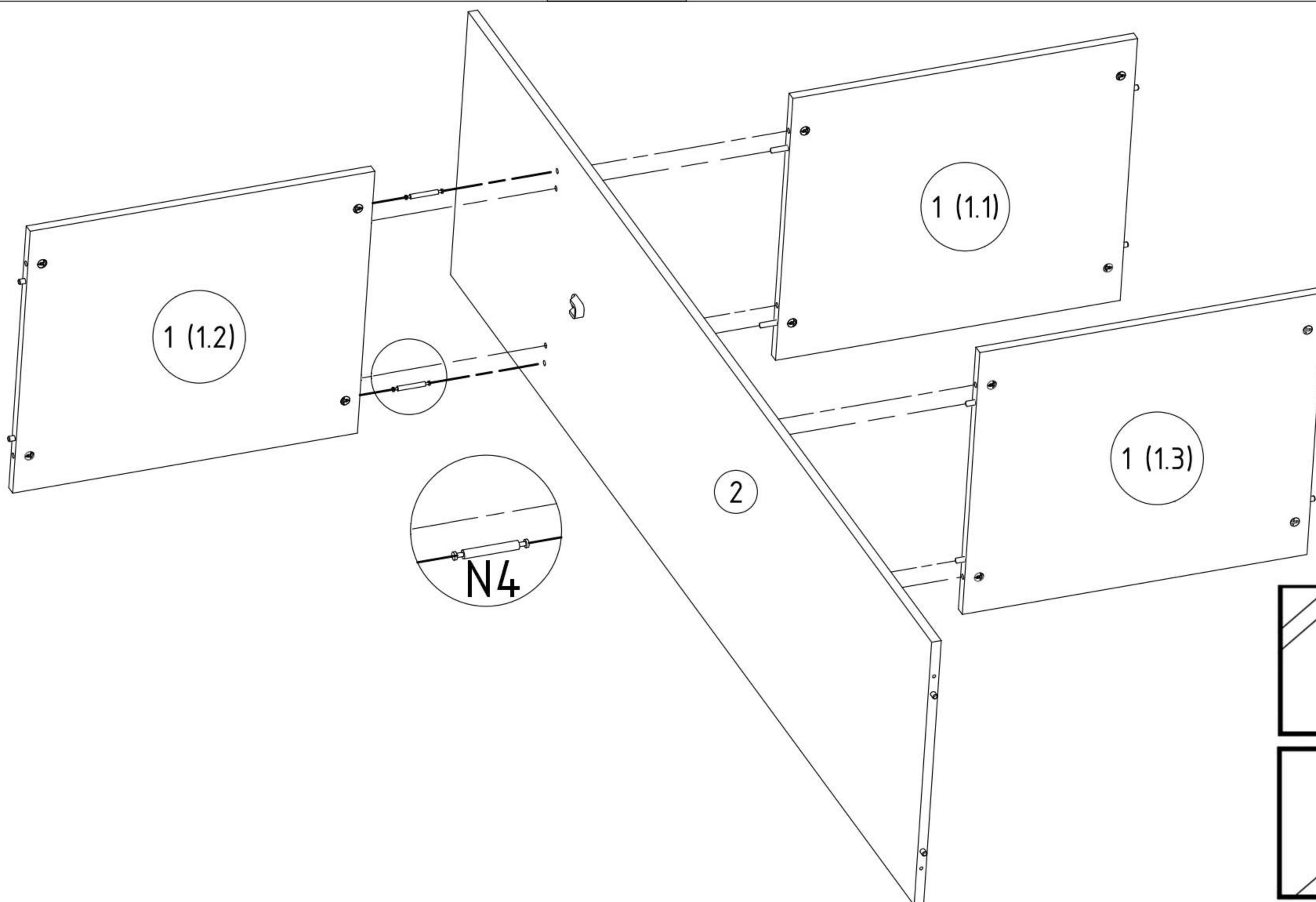
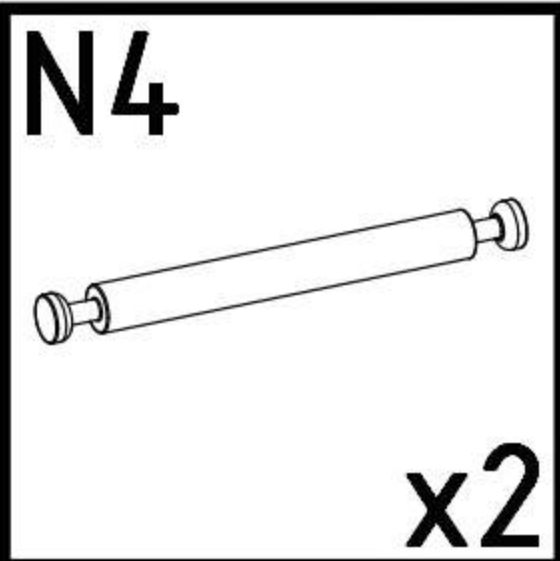


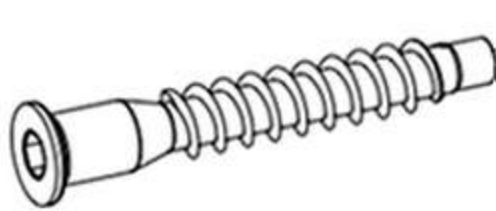
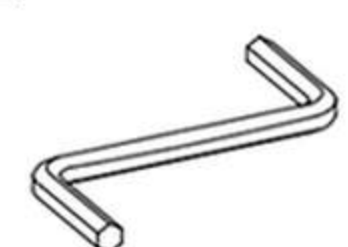
<b>N1</b>  L=35mm <b>x2</b>	<b>K7</b>  5x16mm <b>x4</b>	<b>E1</b>  8x30mm <b>x4</b>
---	--	--

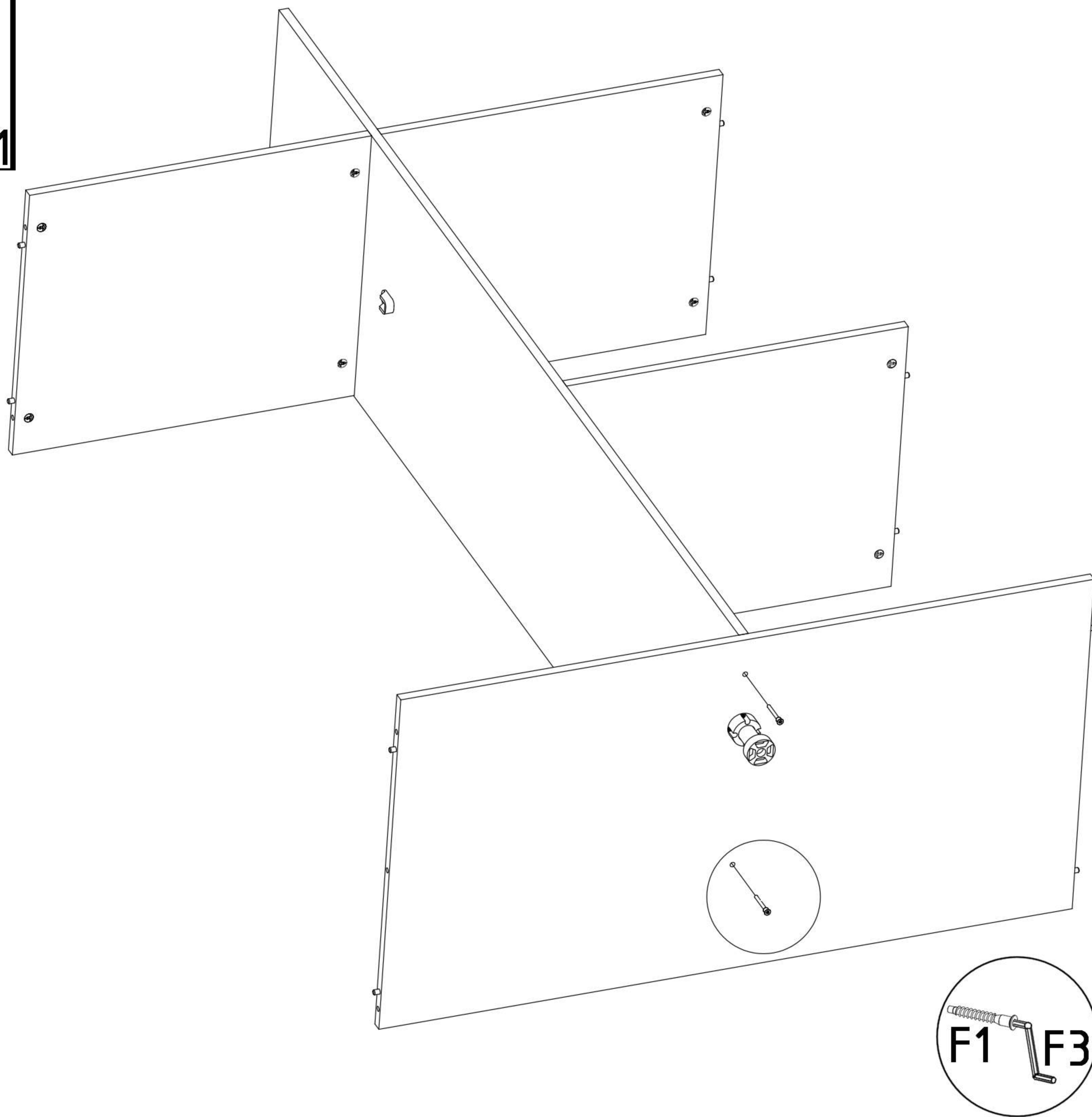



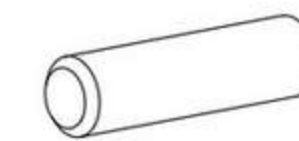
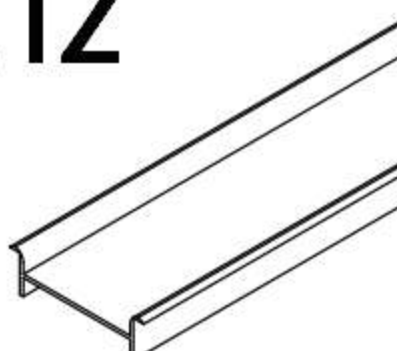


<b>S1</b>  3,5x16mm <b>x1</b>	<b>K10</b>  <b>x1</b>
--	--

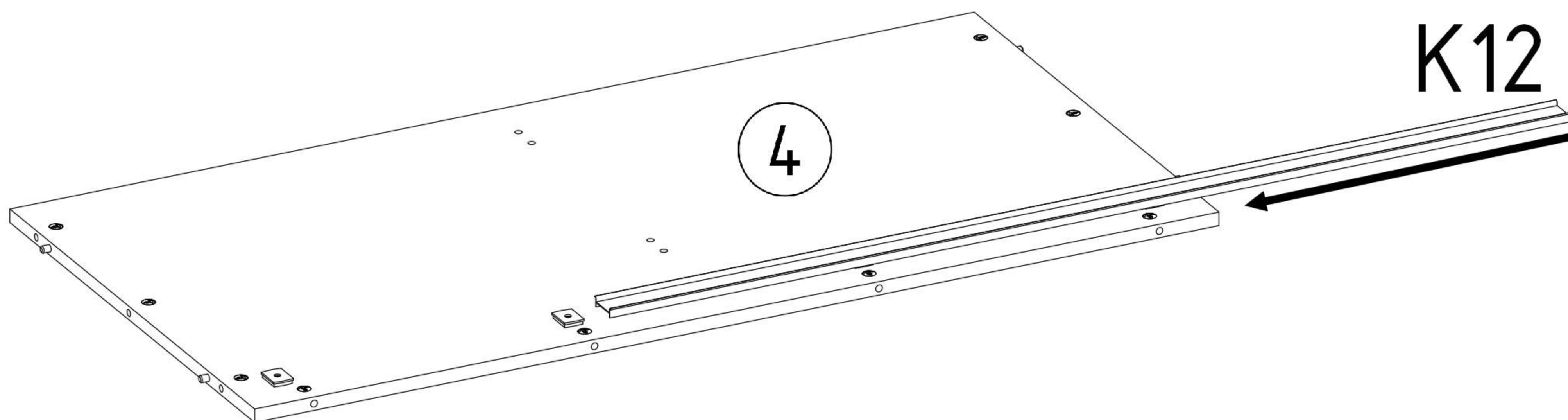
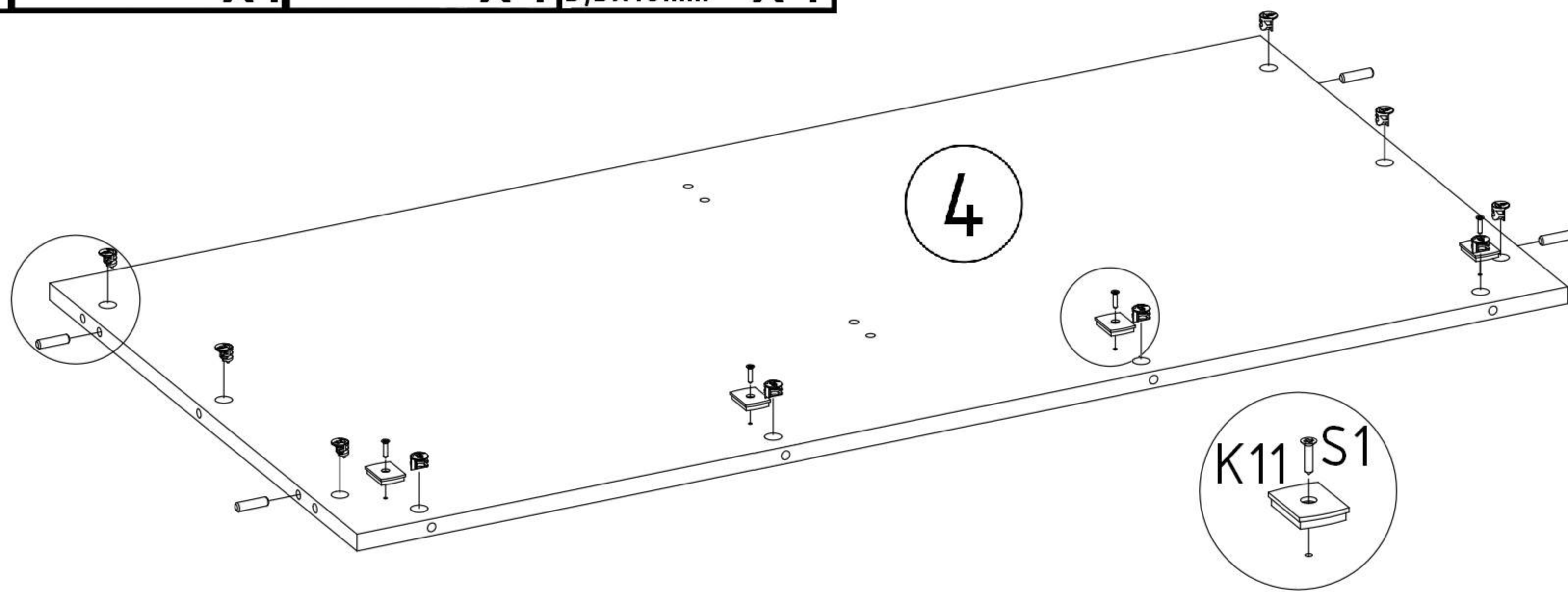
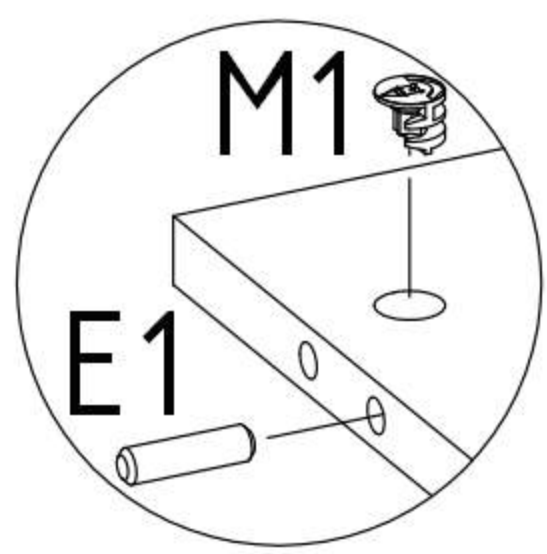





<b>F1</b>  7x50mm <b>x2</b>	<b>F3</b>  <b>x1</b>
---	---



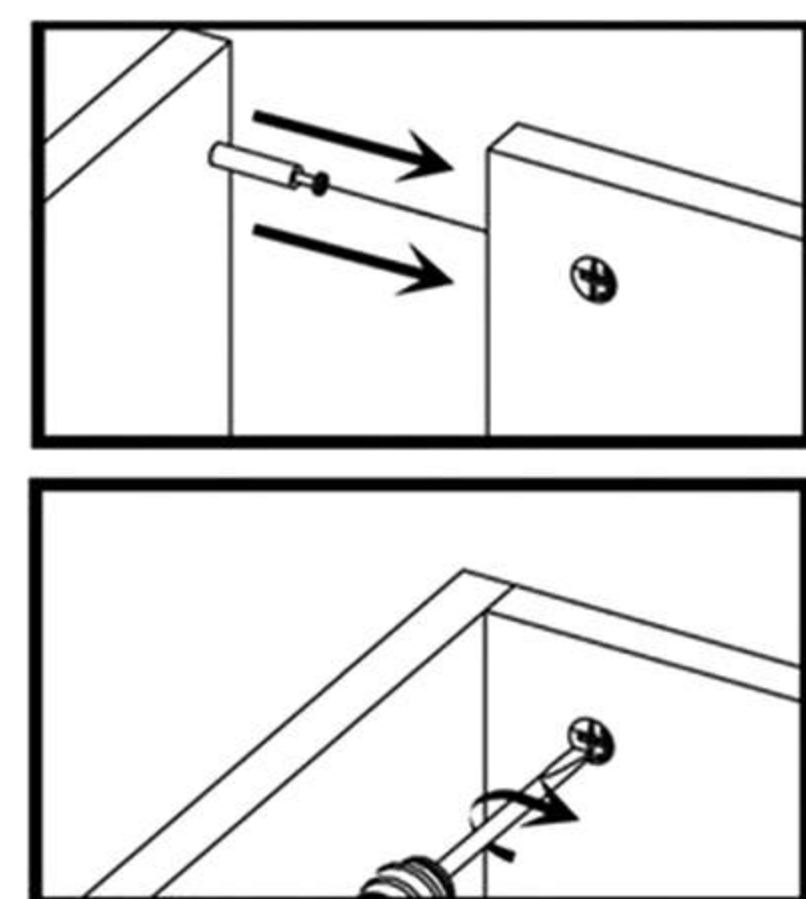
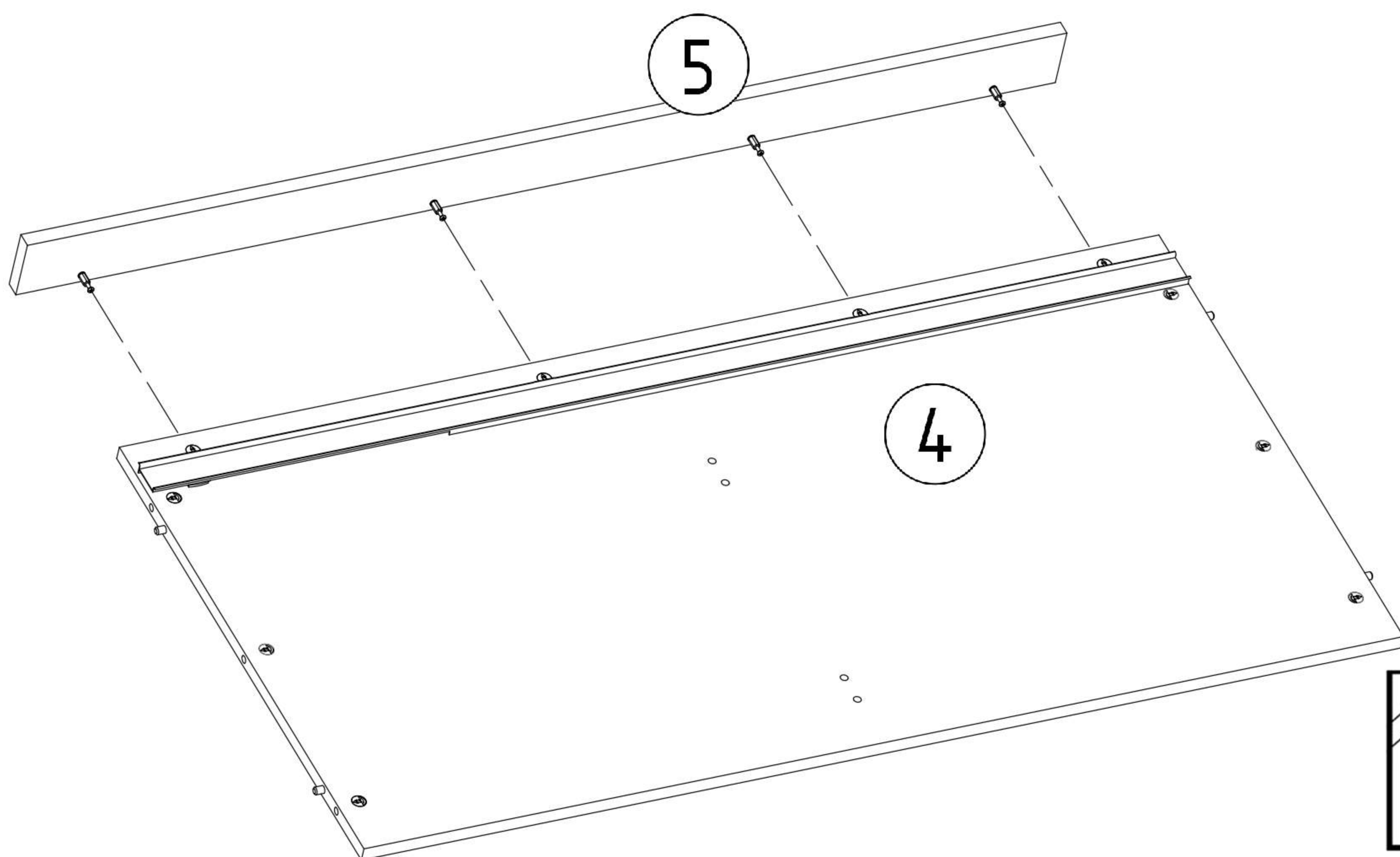
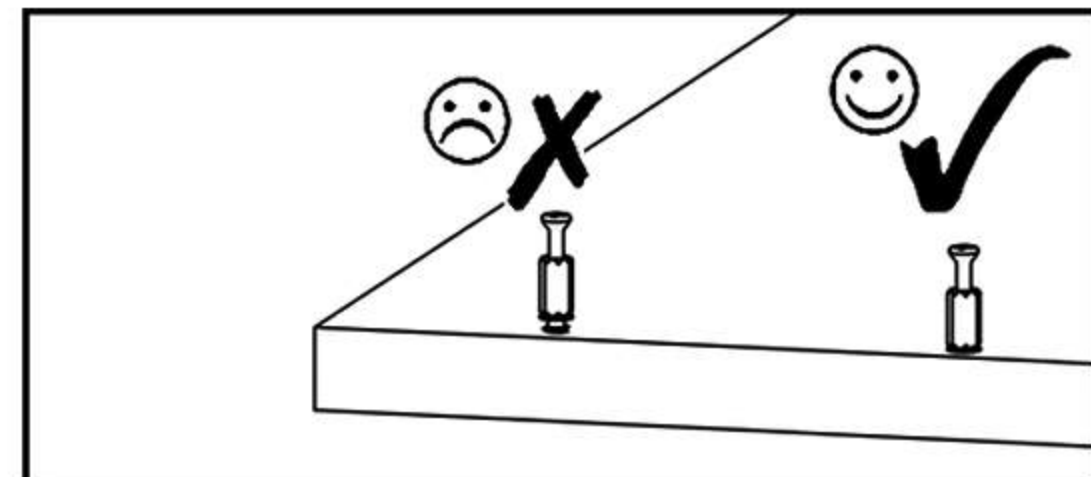
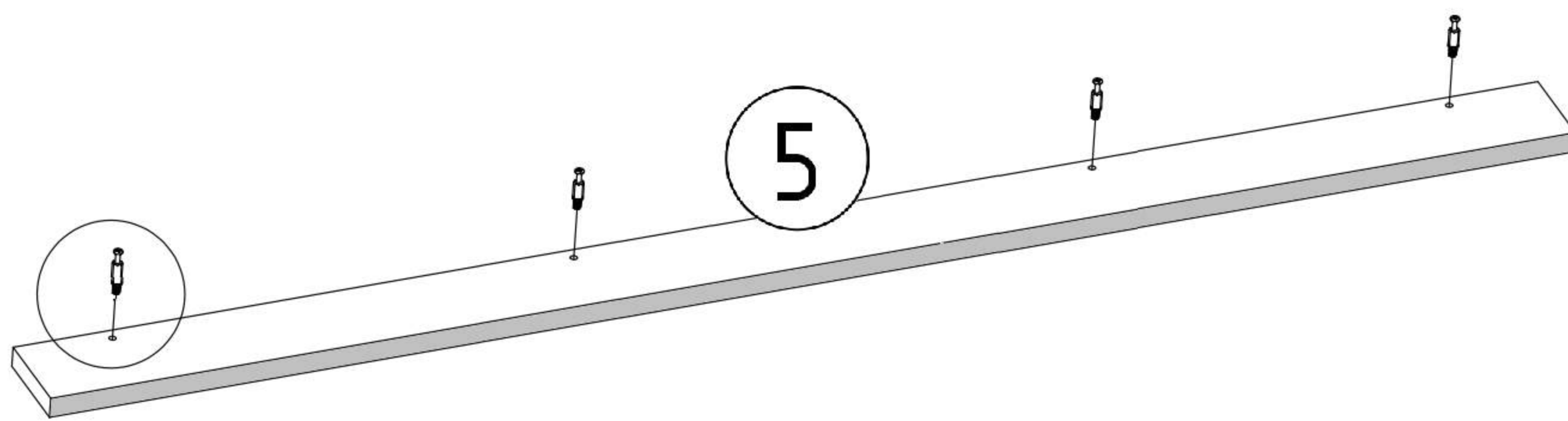
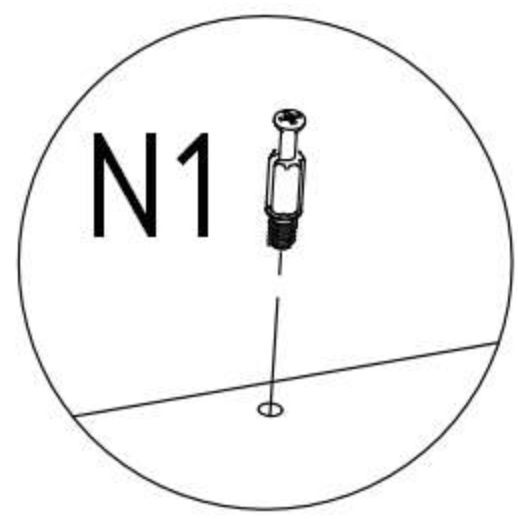
<b>M1</b>  12x15mm <b>x10</b>	<b>E1</b>  8x30mm <b>x4</b>	<b>K12</b>  <b>x1</b>	<b>K11</b>  <b>x4</b>	<b>S1</b>  3,5x16mm <b>x4</b>
--	--	--	--	--

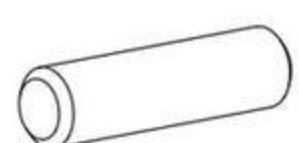




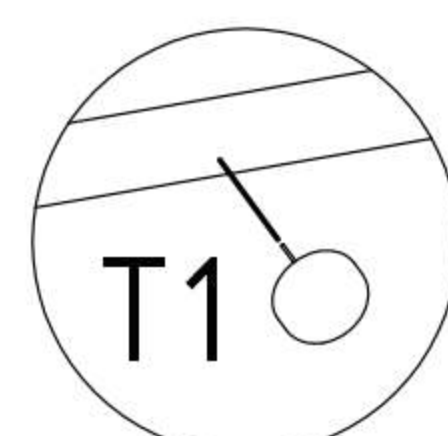
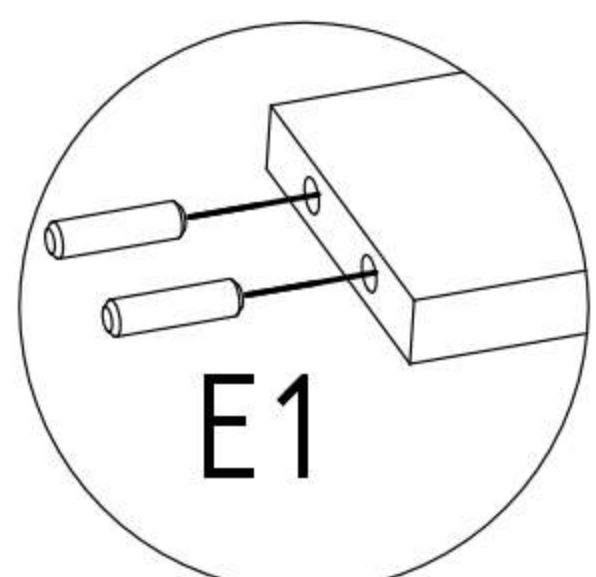
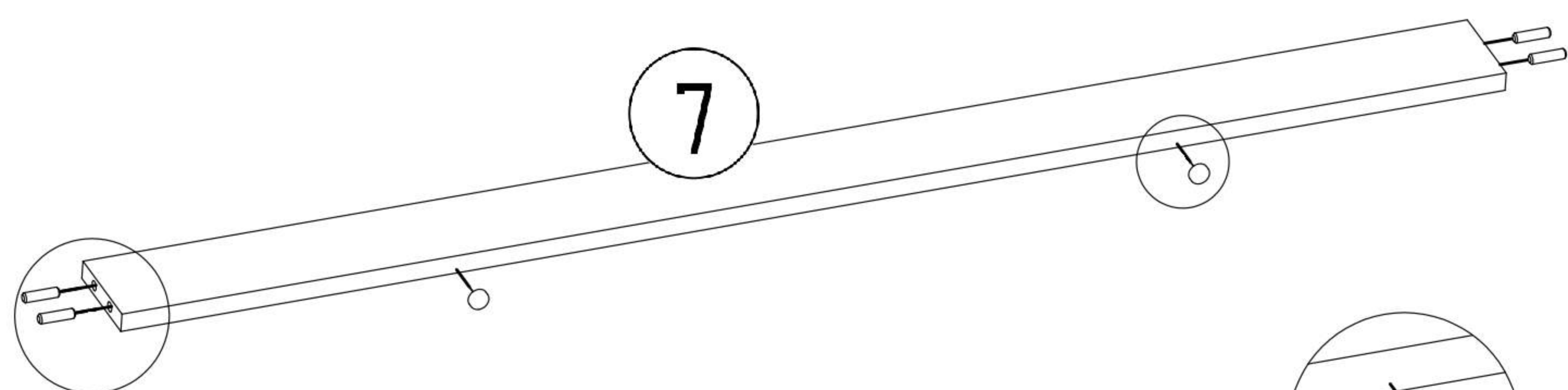
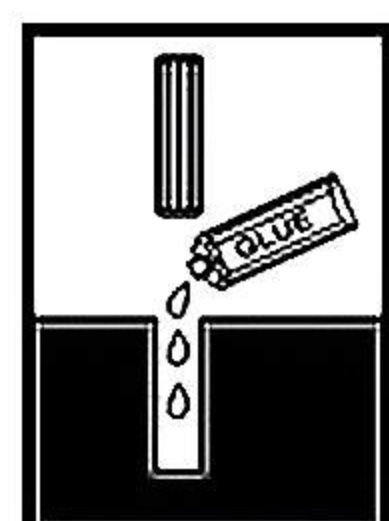
**N1**

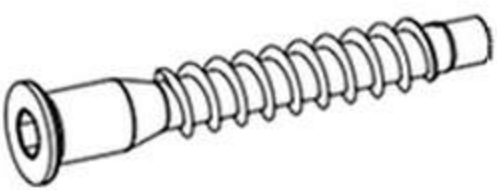
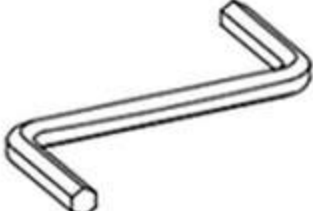


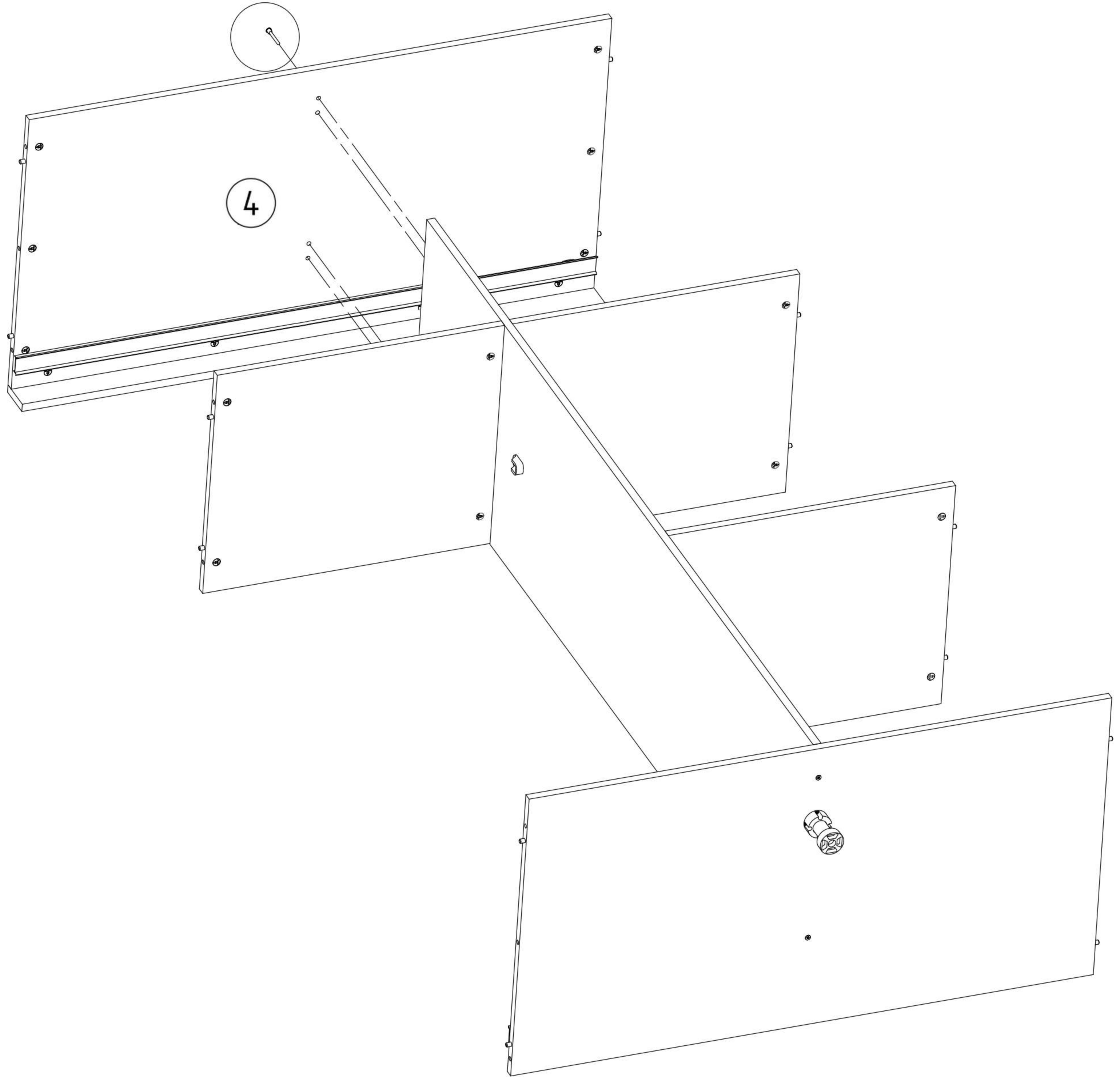
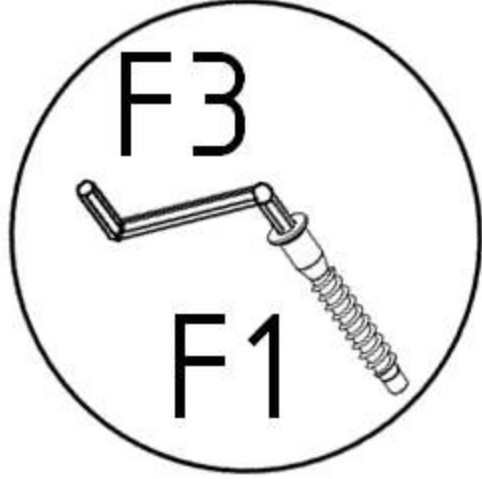
L=35mm **X4**

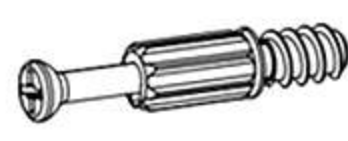


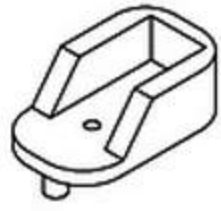


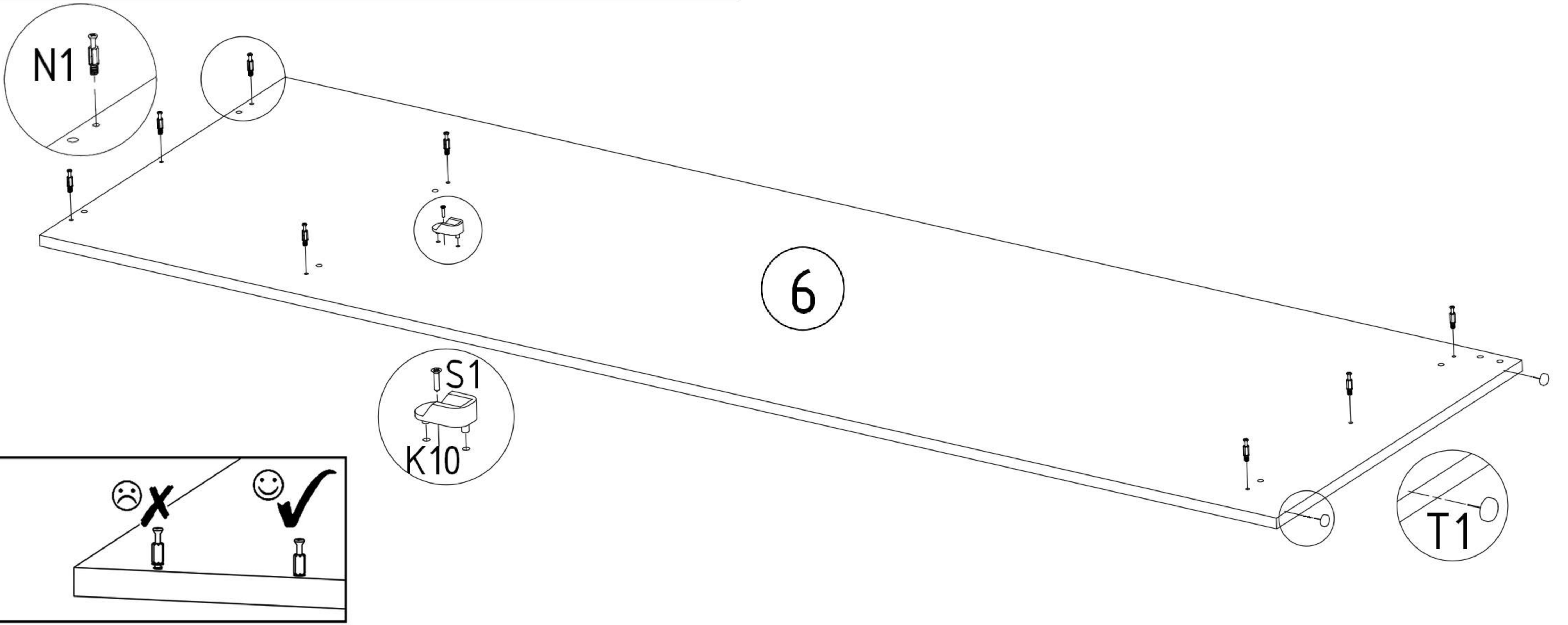
<p><b>E1</b></p>  <p>8x30mm <b>X4</b></p>	<p><b>T1</b></p>  <p><b>X2</b></p>	<p><b>K1</b></p> 
---	---	--




<b>F1</b>  7x50mm <b>x2</b>	<b>F3</b>  <b>x1</b>
---	---



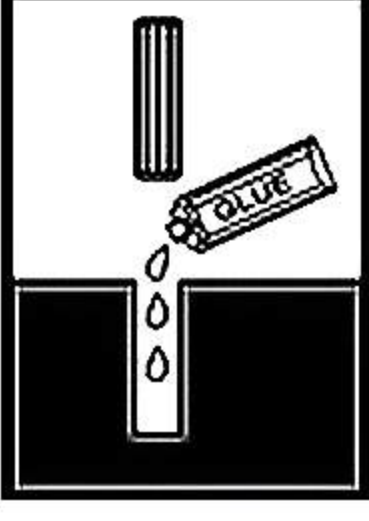
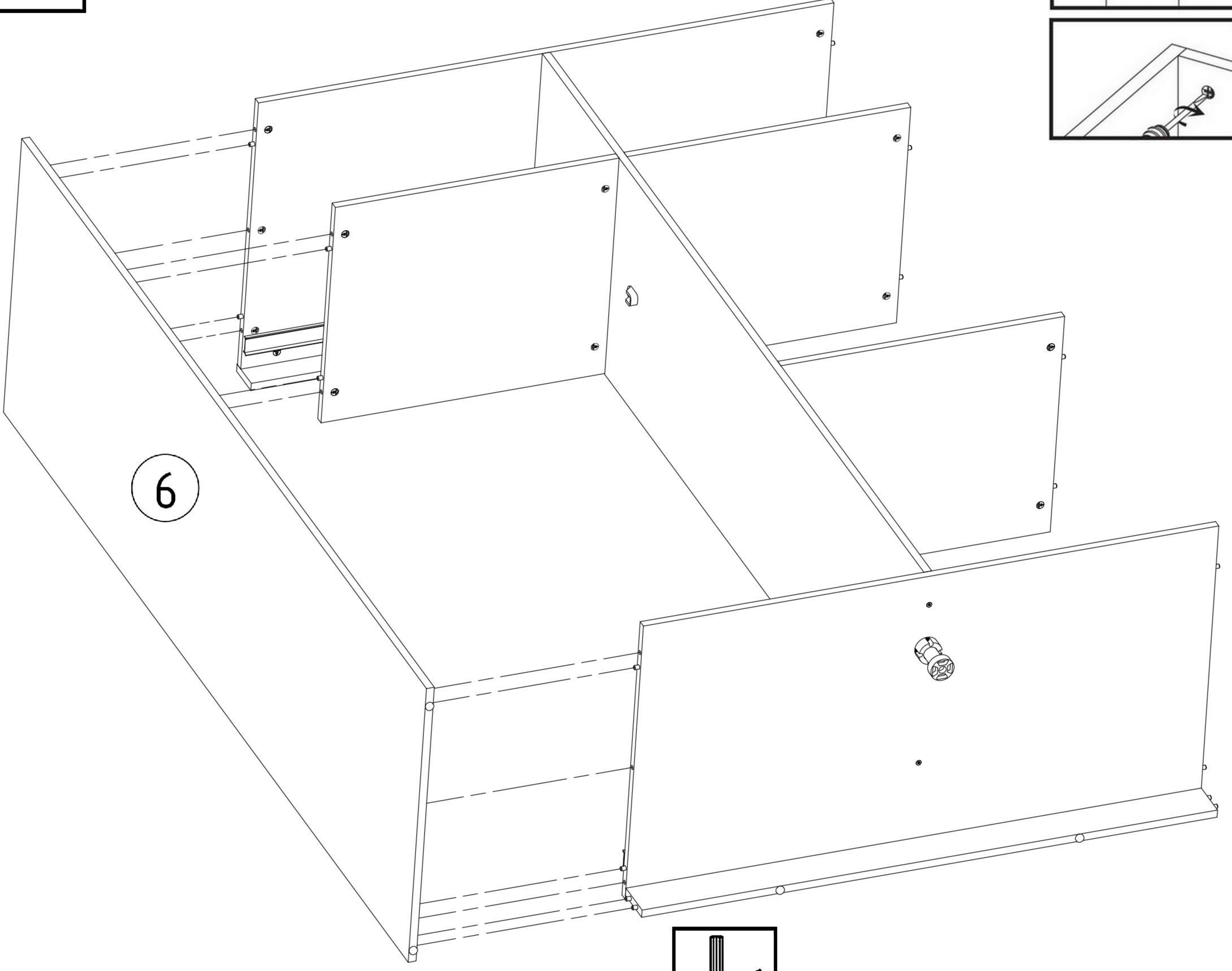
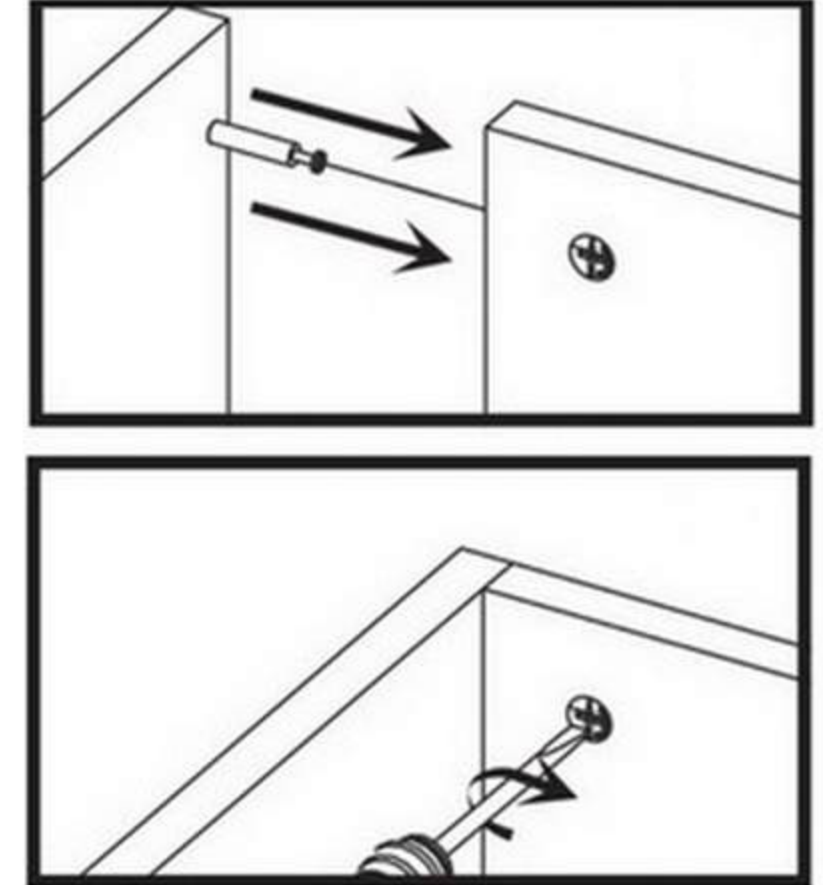
<b>N1</b>  L=35mm x8	<b>T1</b>  x2	<b>S1</b>  3,5x16mm x1	<b>K10</b>  x1
--	--	---	---


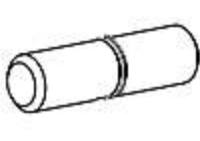



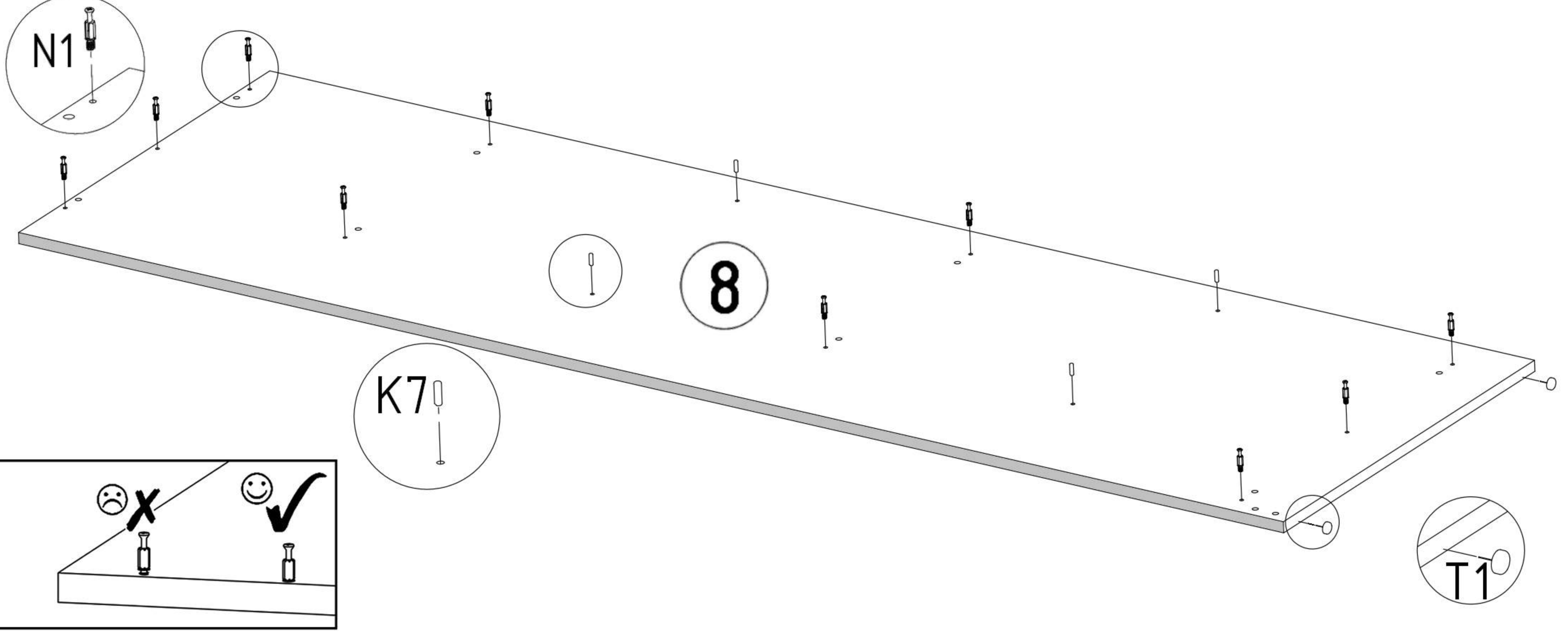
**K1**




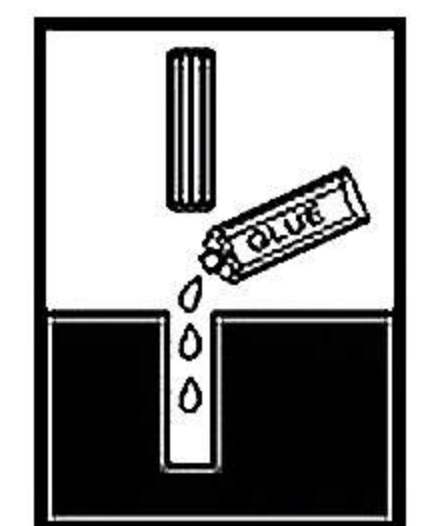
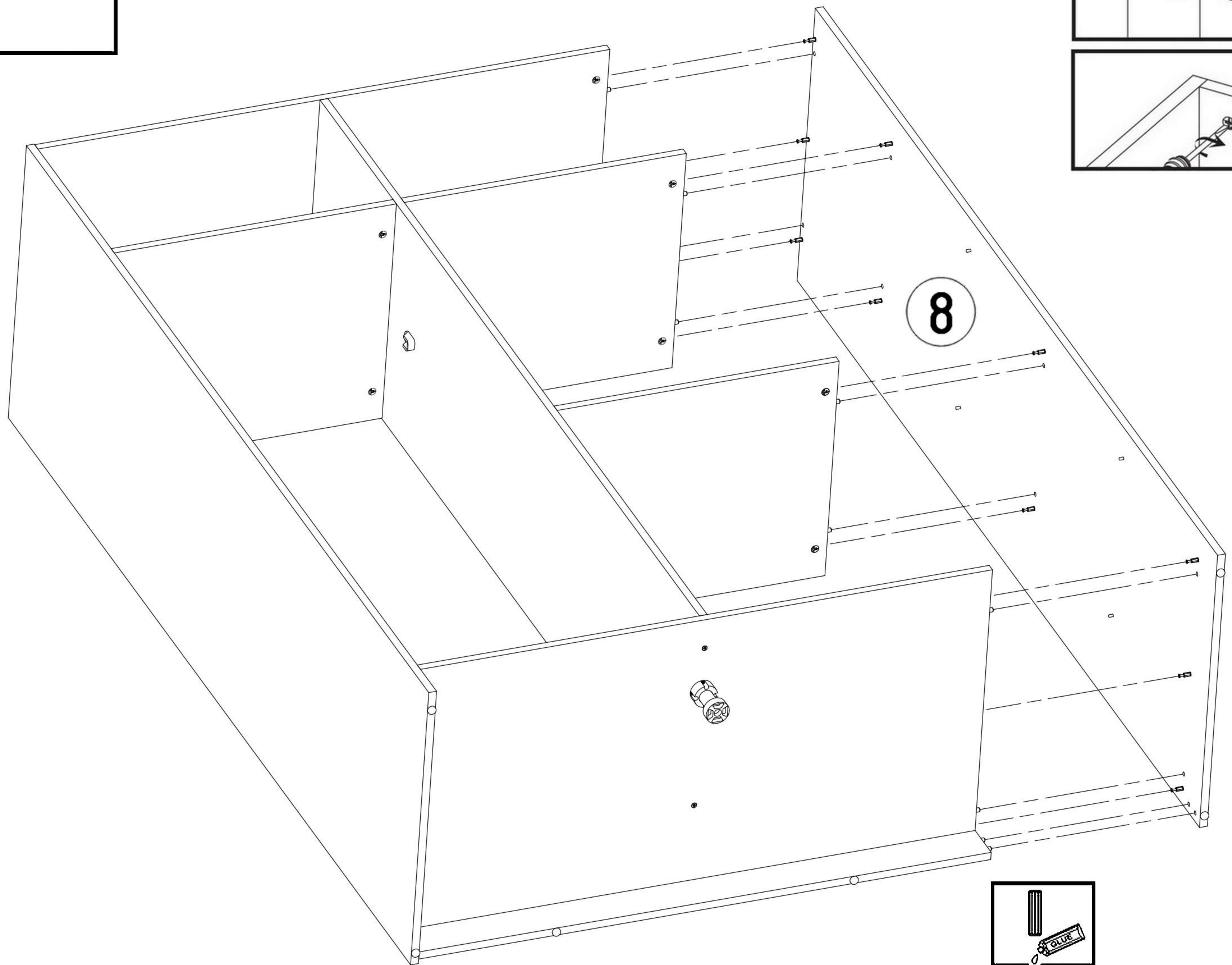
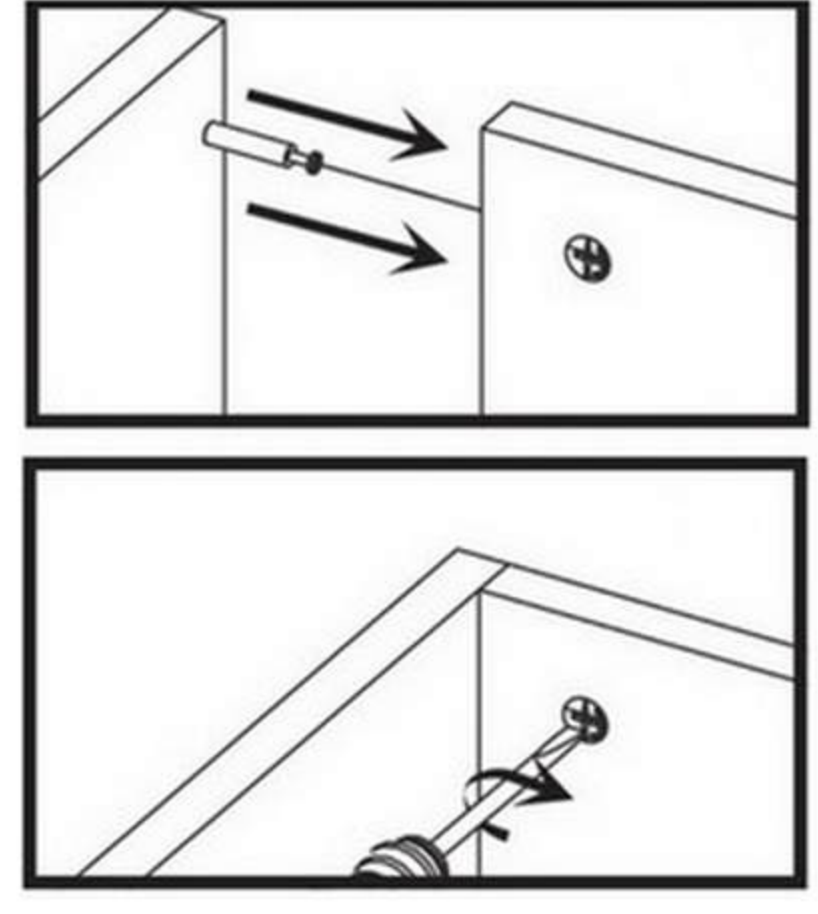
GLUE








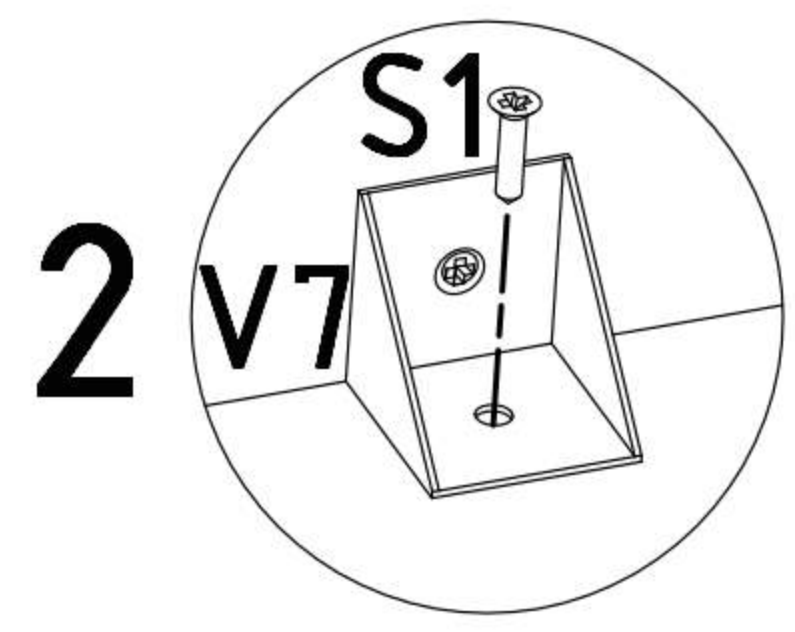
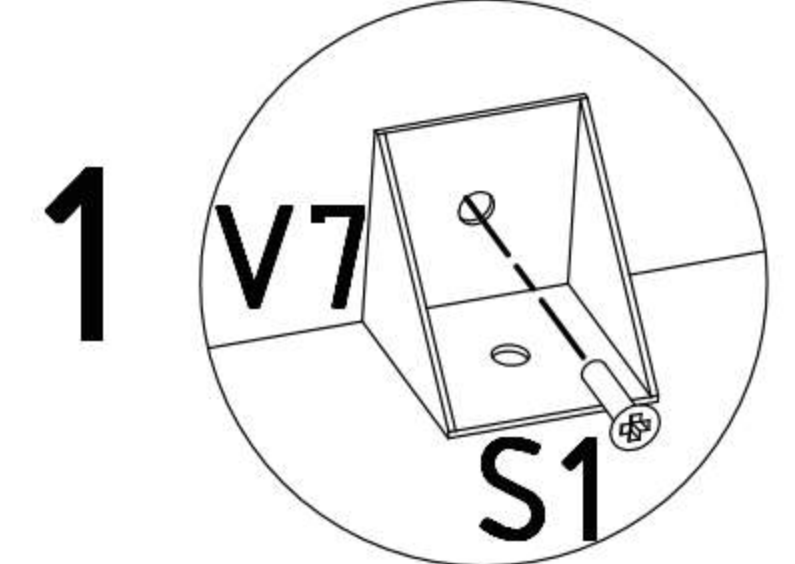
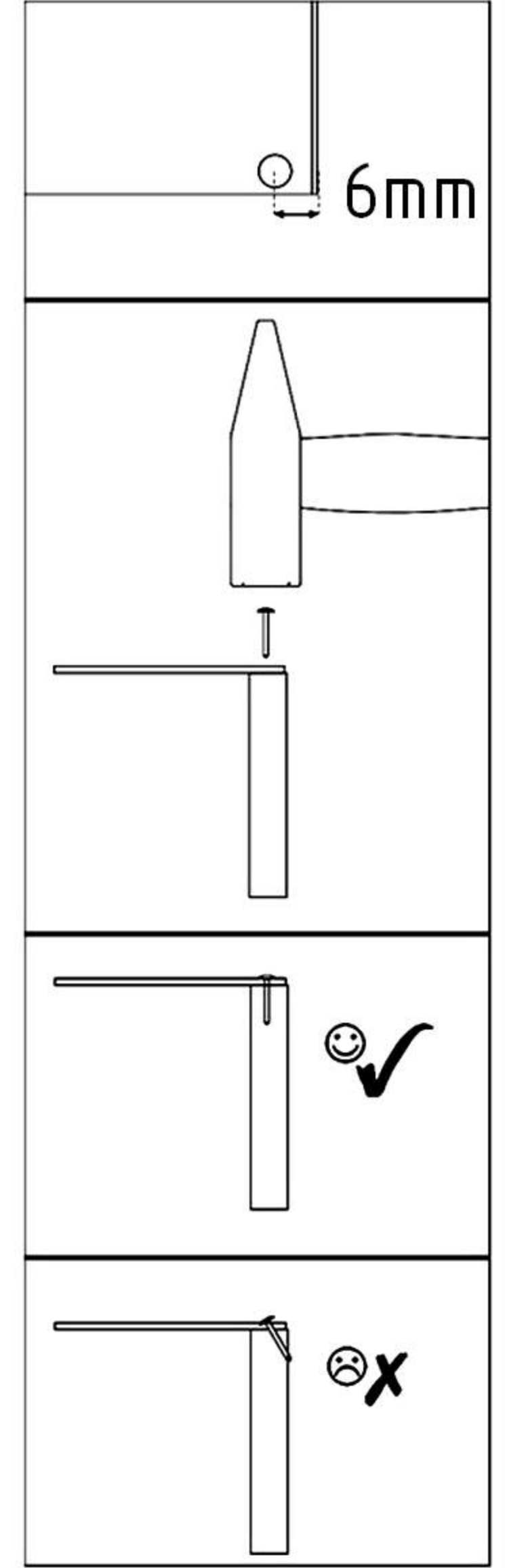
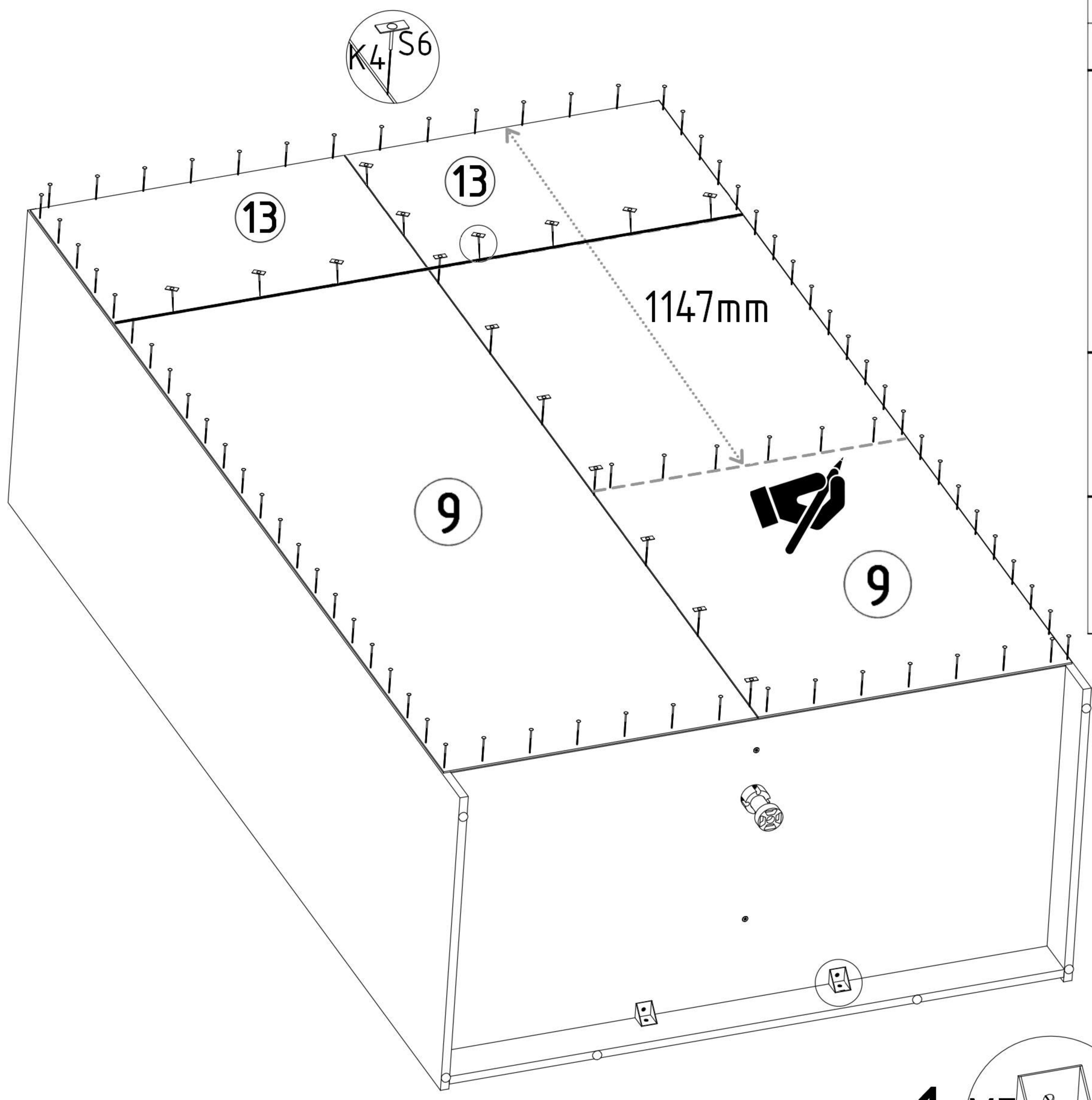
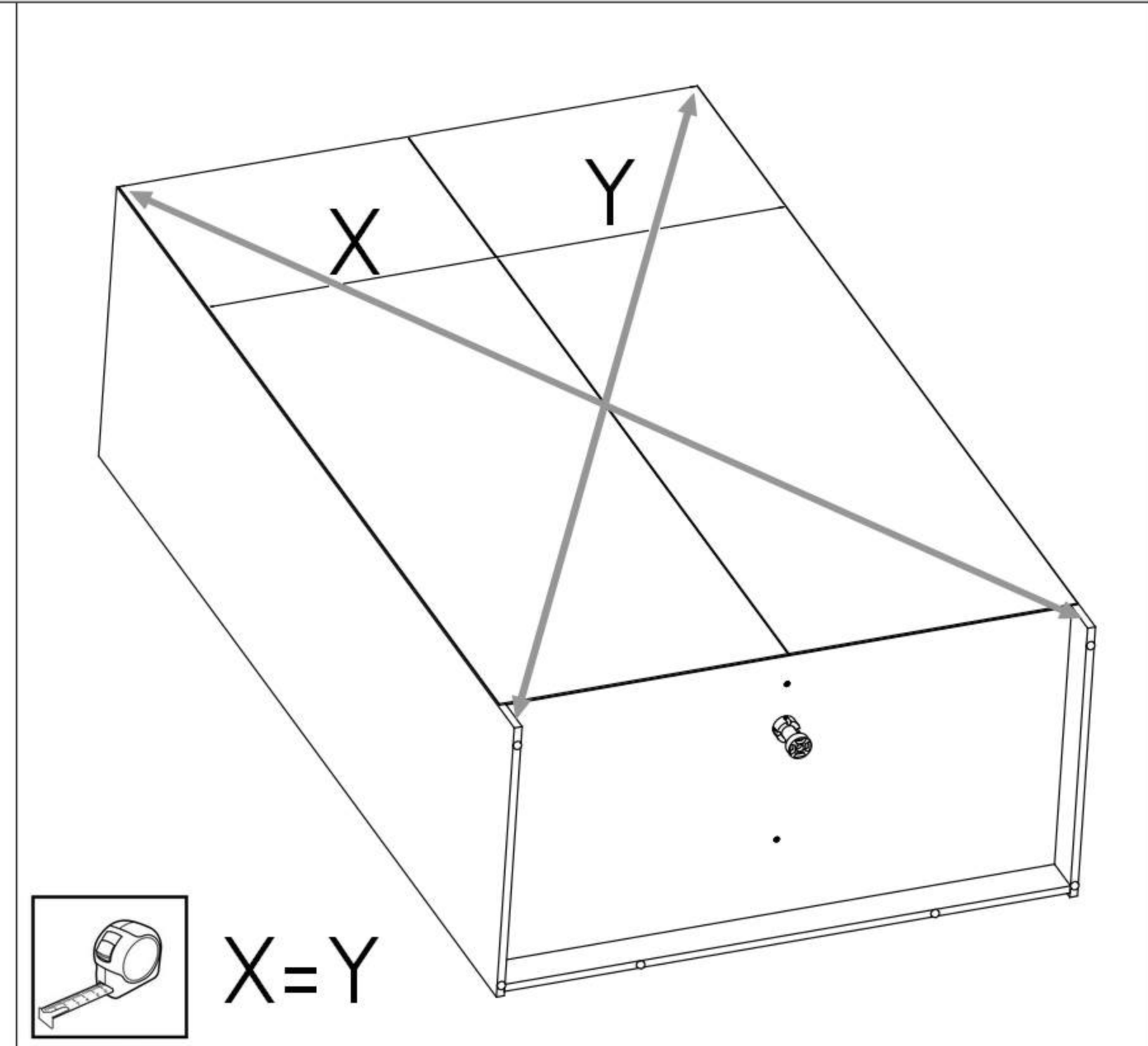
<b>N1</b>  L=35mm <b>x10</b>	<b>K7</b>  5x16mm <b>x4</b>	<b>T1</b>  <b>x2</b>
--	--	---



<b>K1</b> 
---

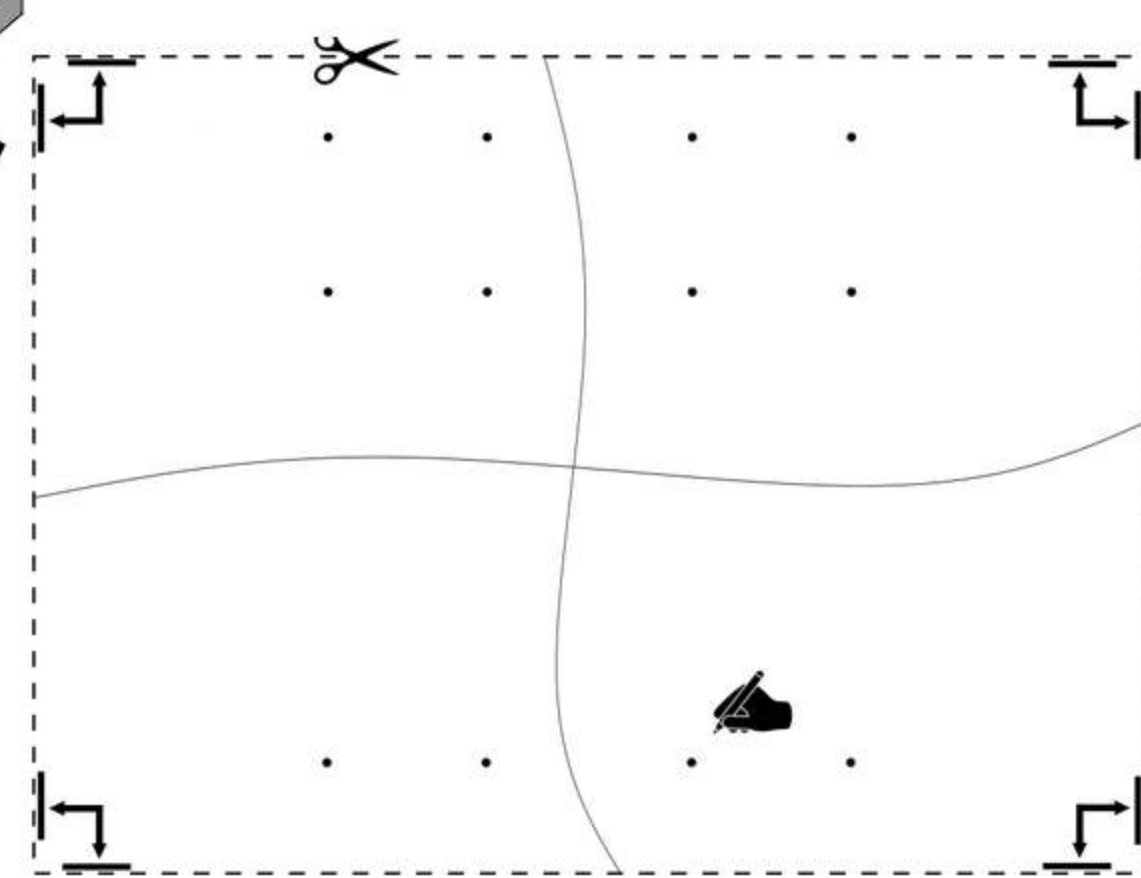


<b>K4</b>  <b>x16</b>	<b>S1</b>  <b>x16</b> 3,5x16mm	<b>S6</b>  <b>x4</b> 2,5x20	<b>Z1</b>  <b>x150</b>	<b>V7</b>  <b>x2</b>
--	--	---	---	---



DÓŁ DRZWI / BOTTOM DOOR

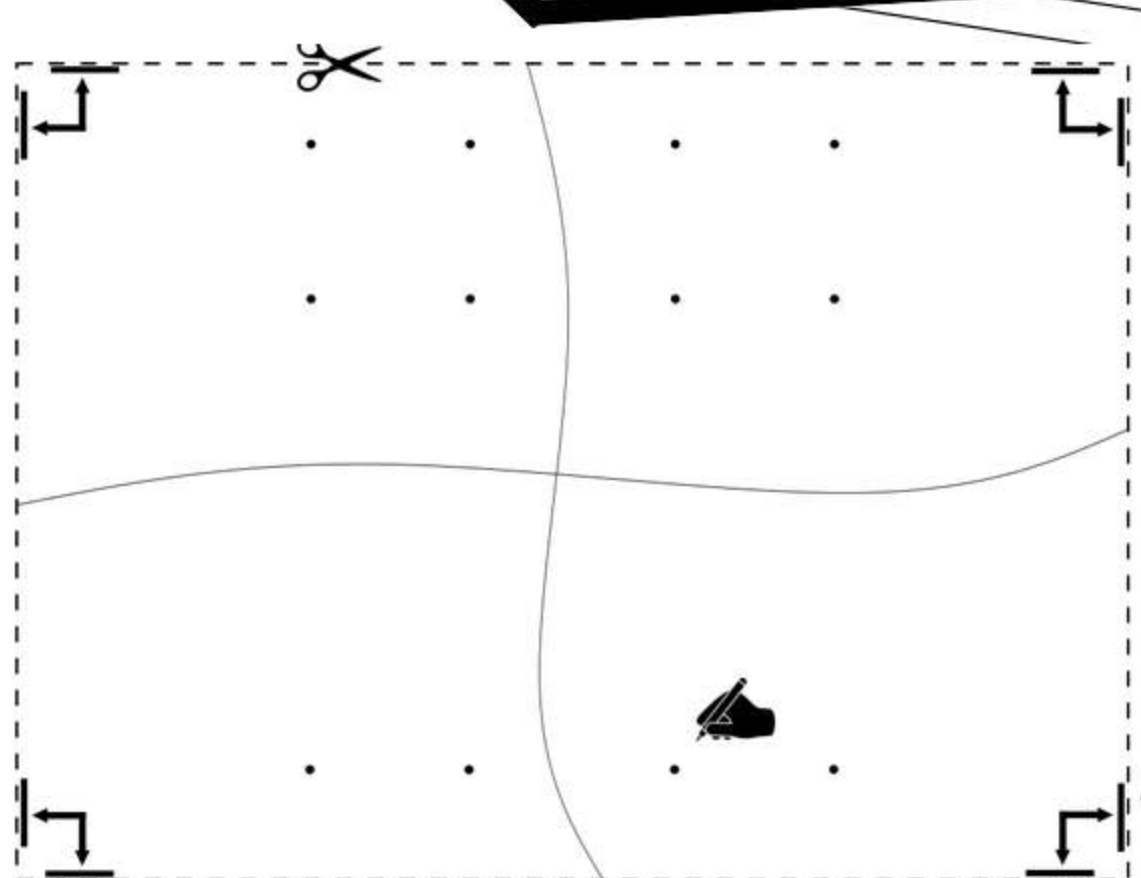
11



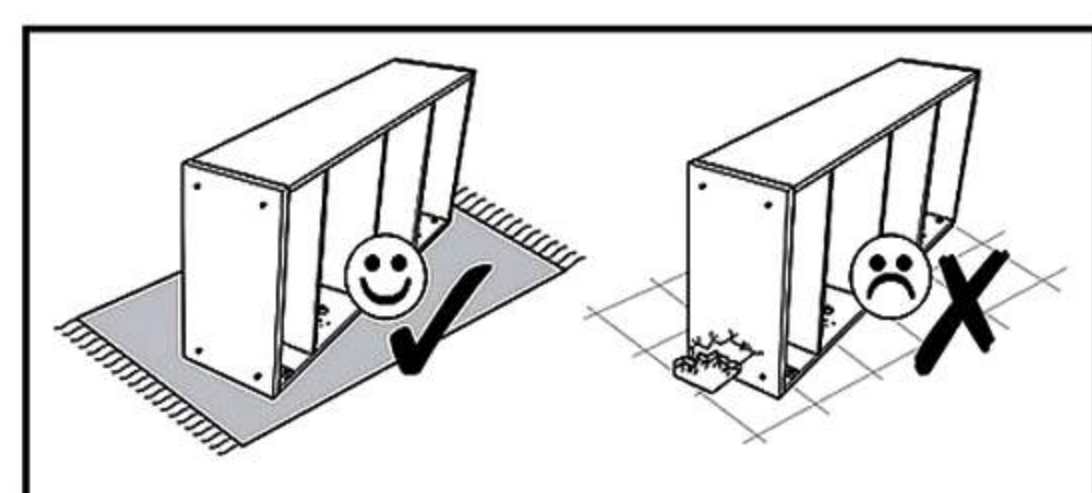
GÓRA DRZWI / TOP DOOR

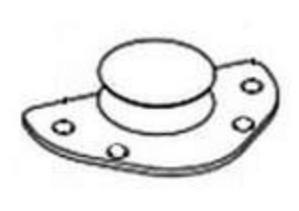

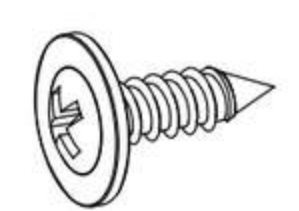
10

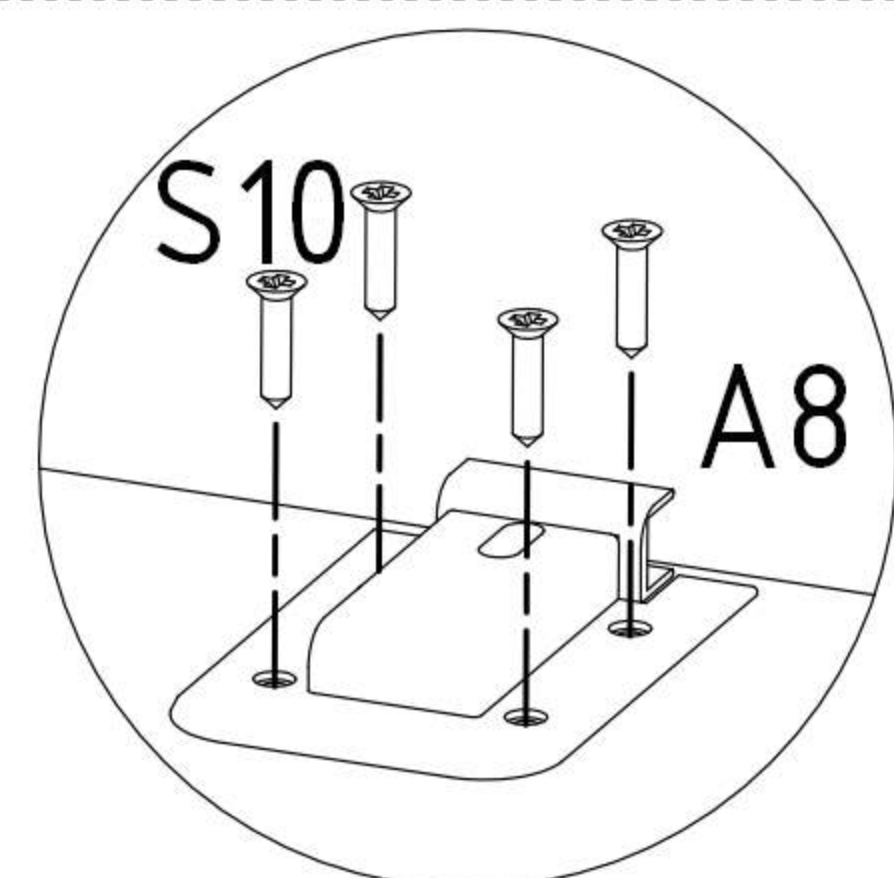
GÓRA DRZWI / TOP DOOR



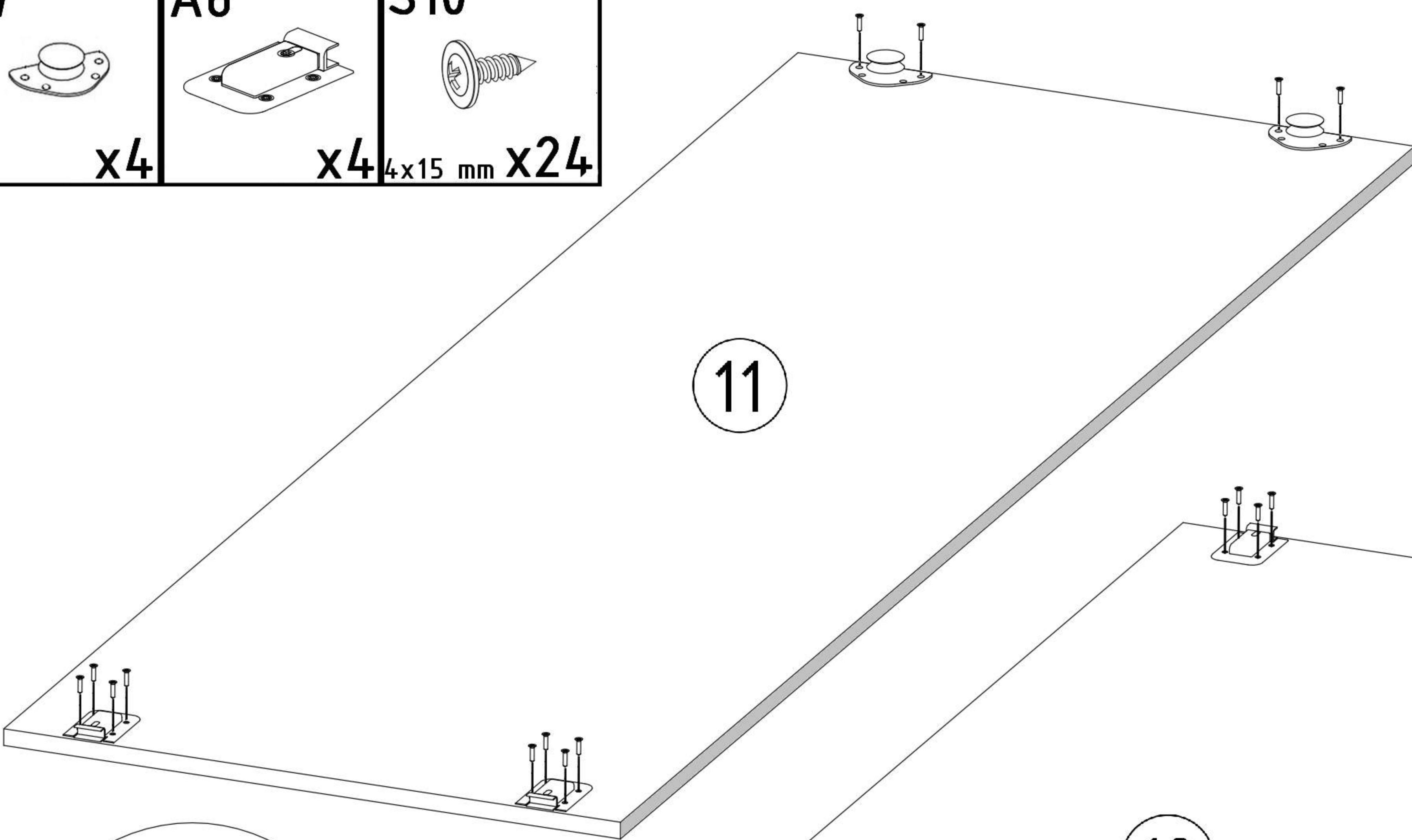
DÓŁ DRZWI / BOTTOM DOOR



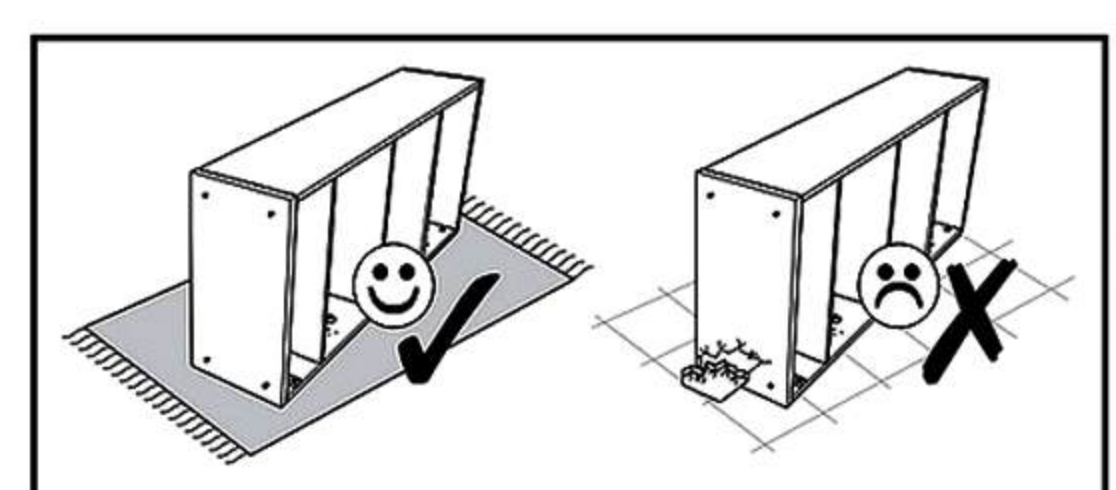
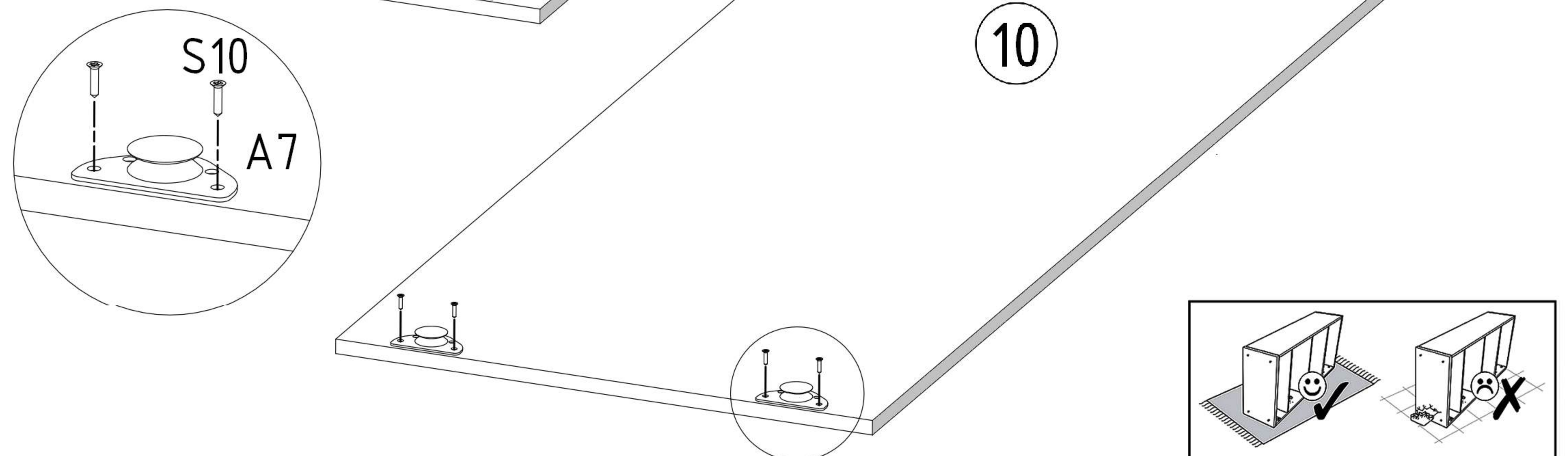
<p><b>A7</b></p>  <p><b>x4</b></p>	<p><b>A8</b></p>  <p><b>x4</b></p>	<p><b>S10</b></p>  <p><b>4x15 mm x24</b></p>
--	---	---

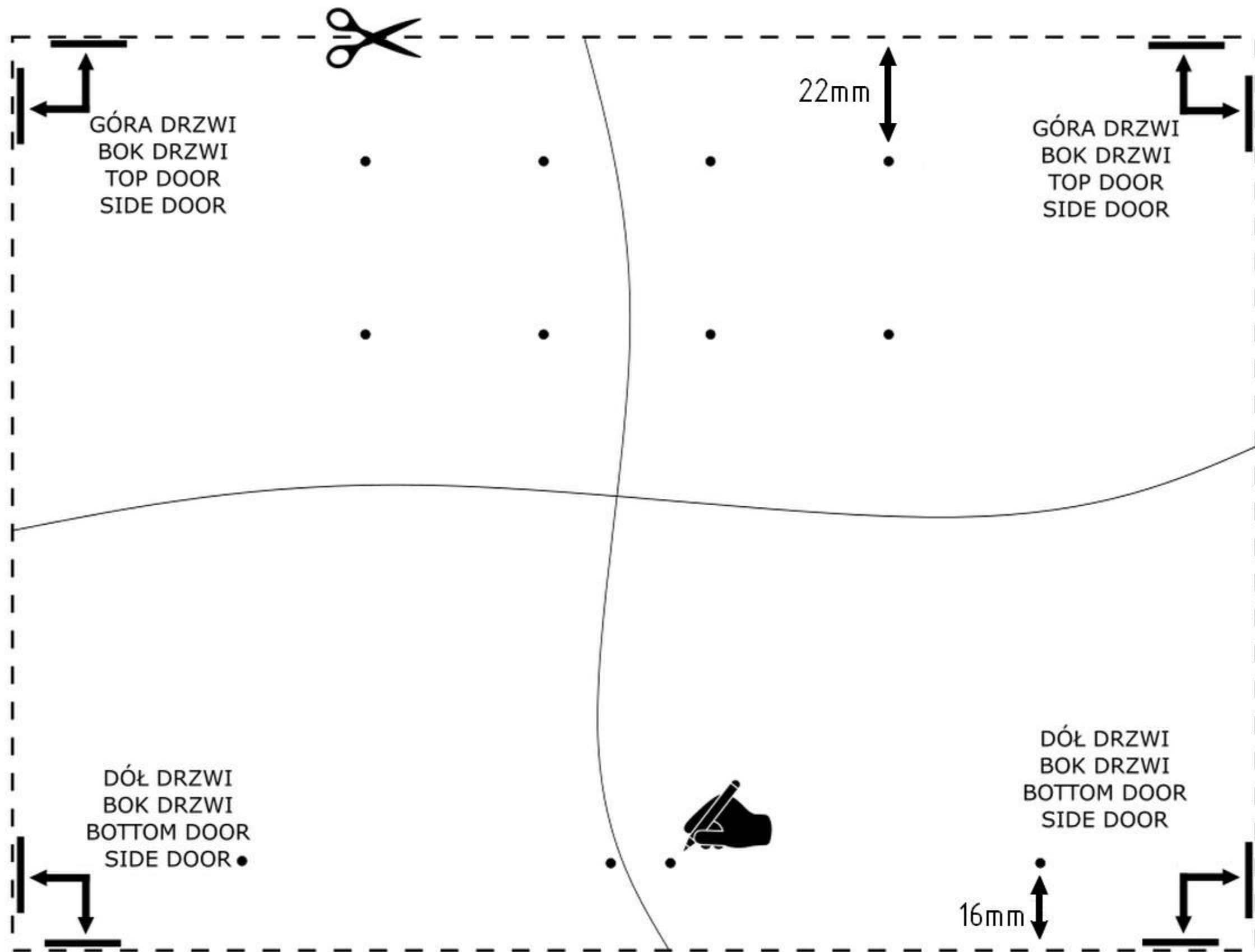


11

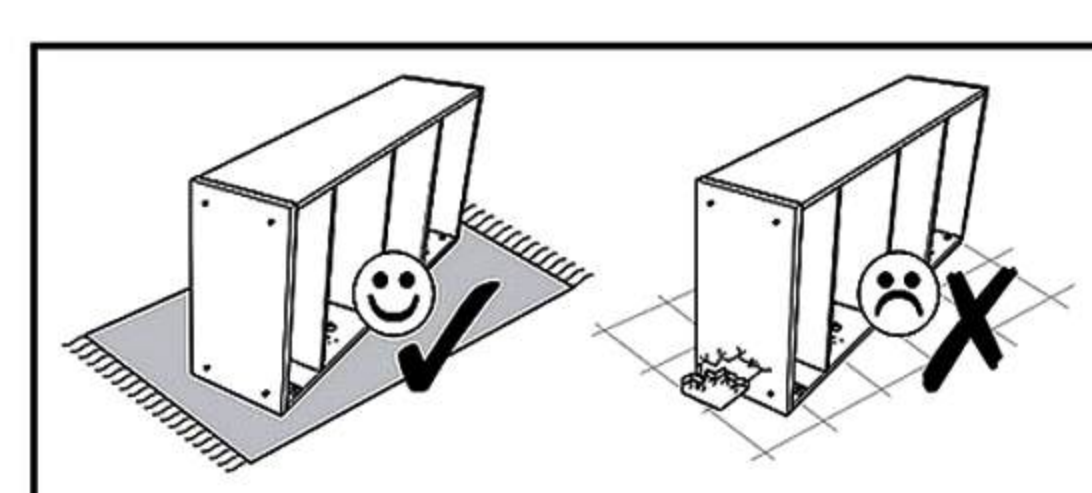
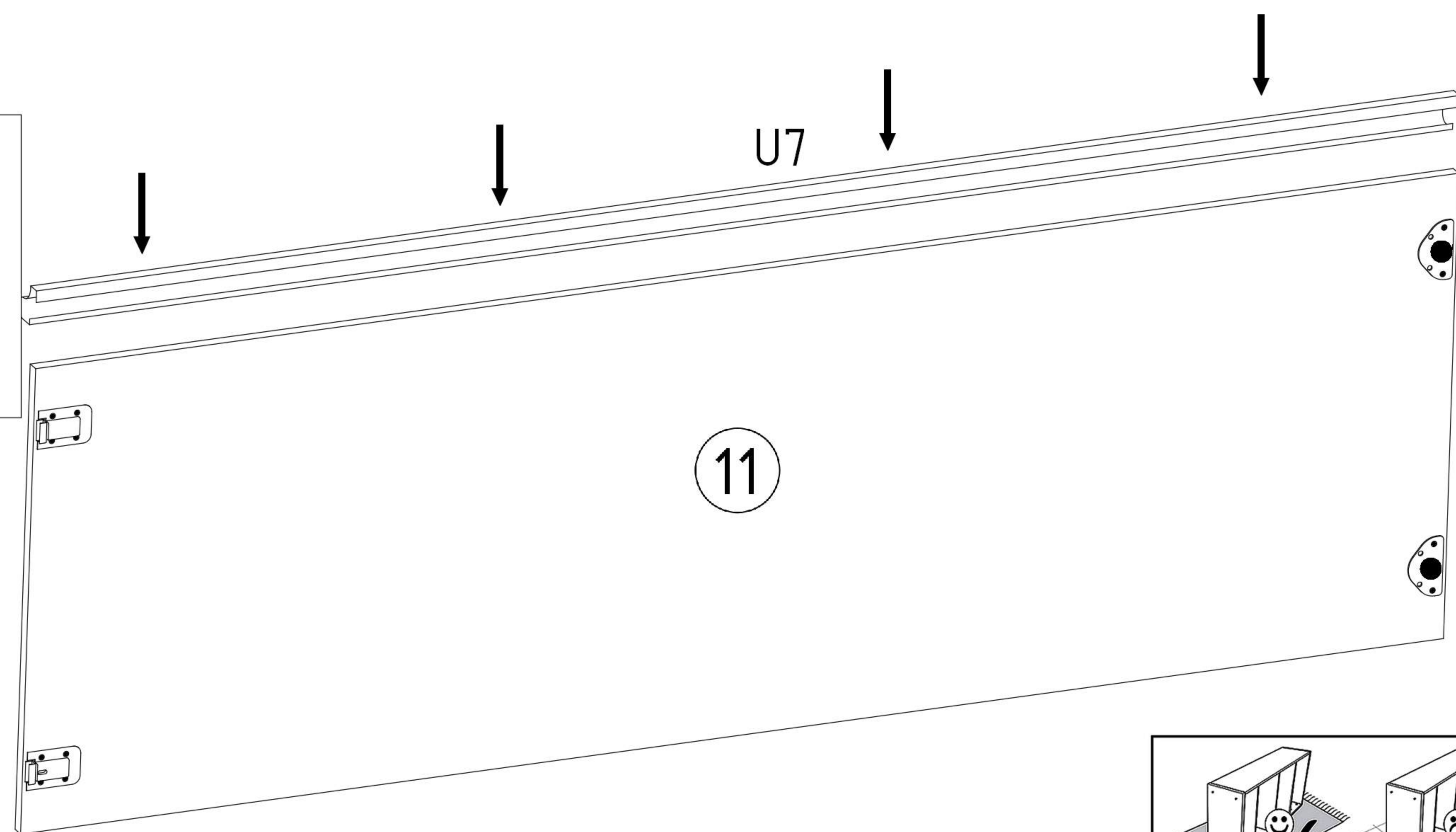
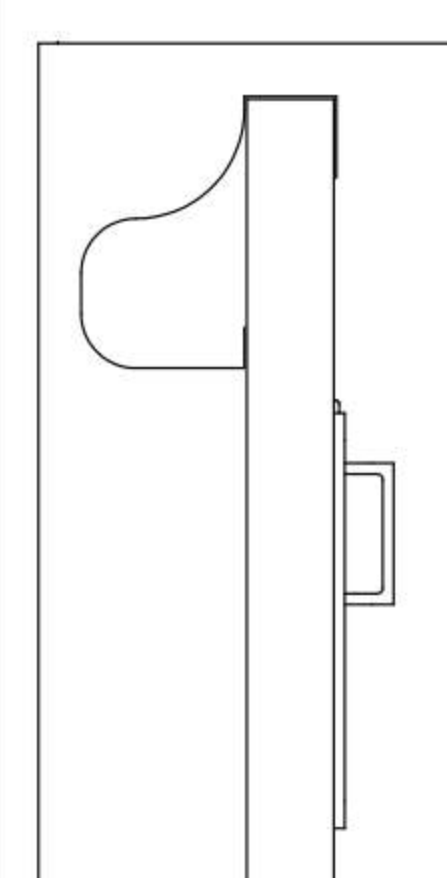
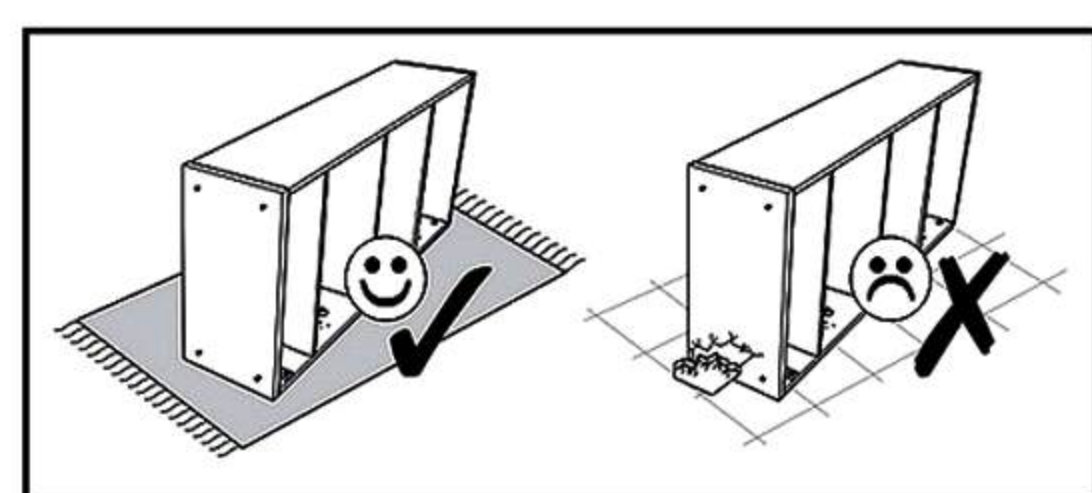
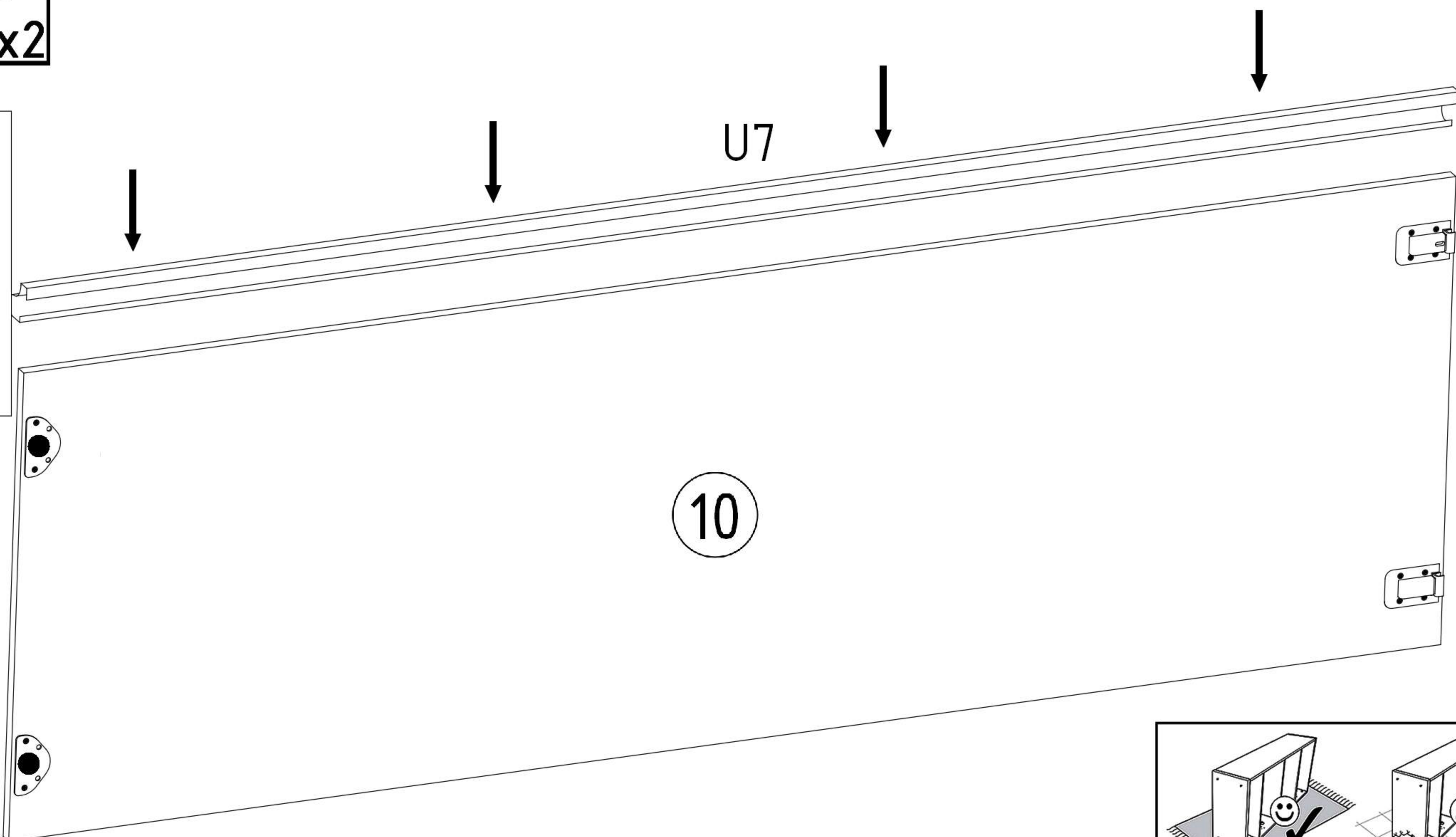
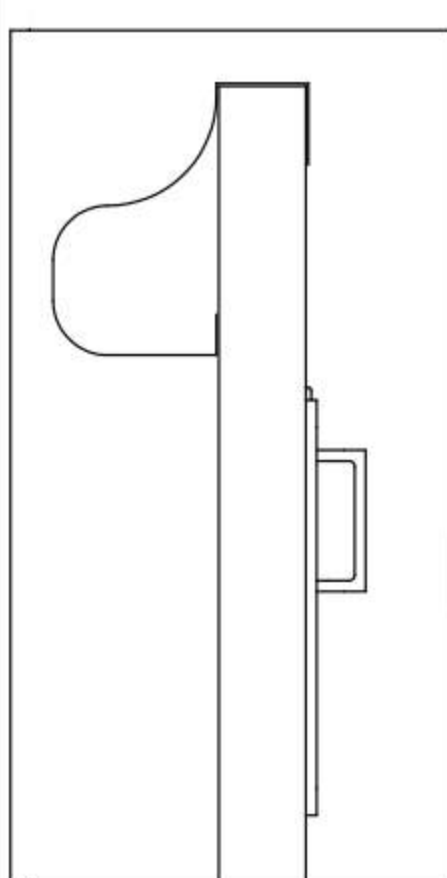
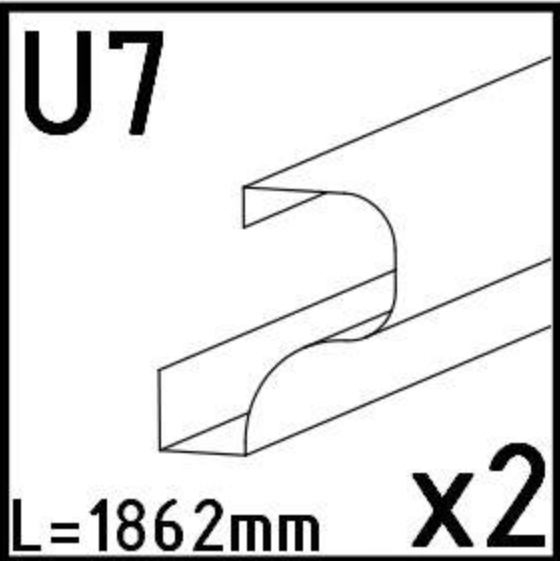


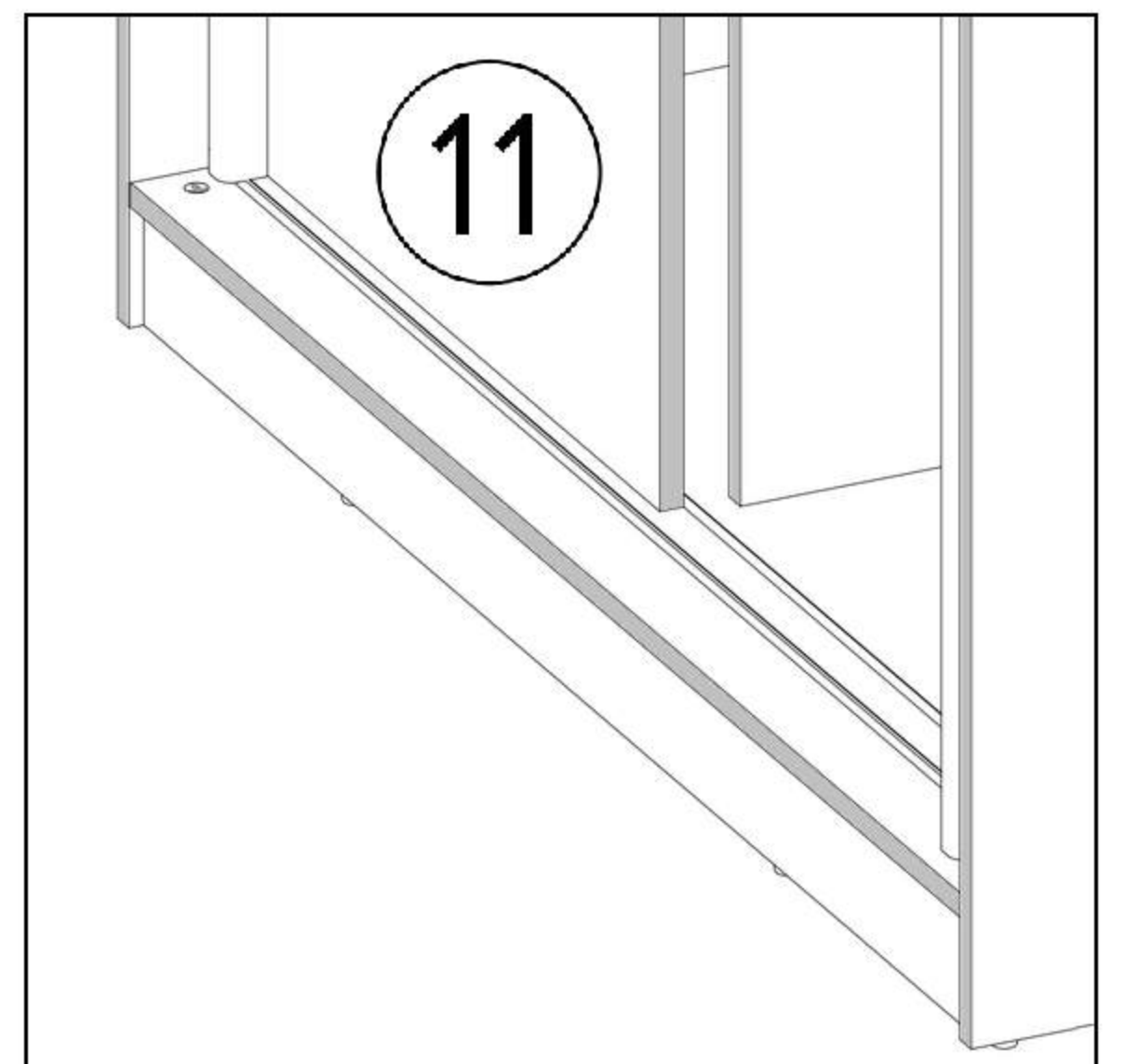
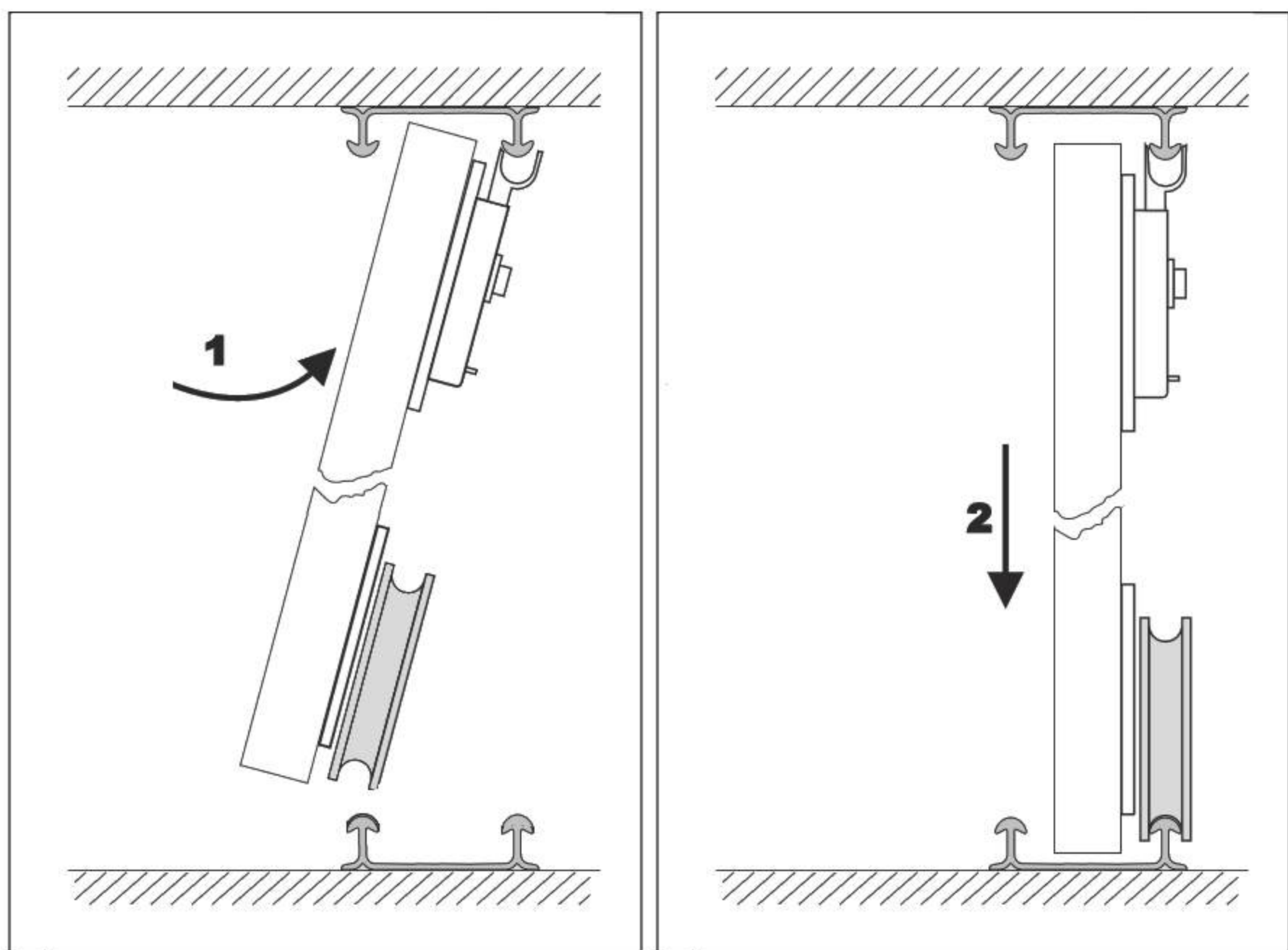
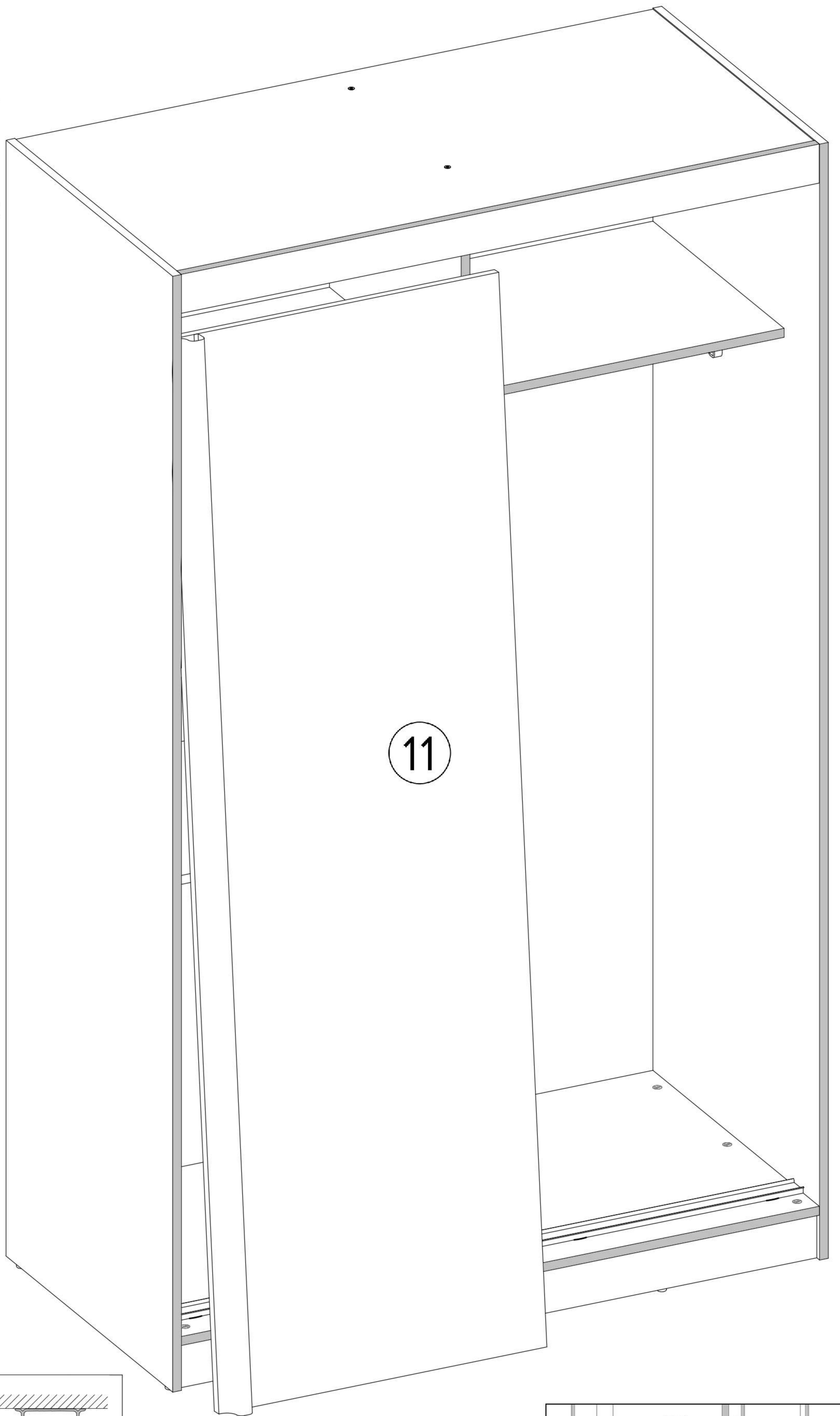
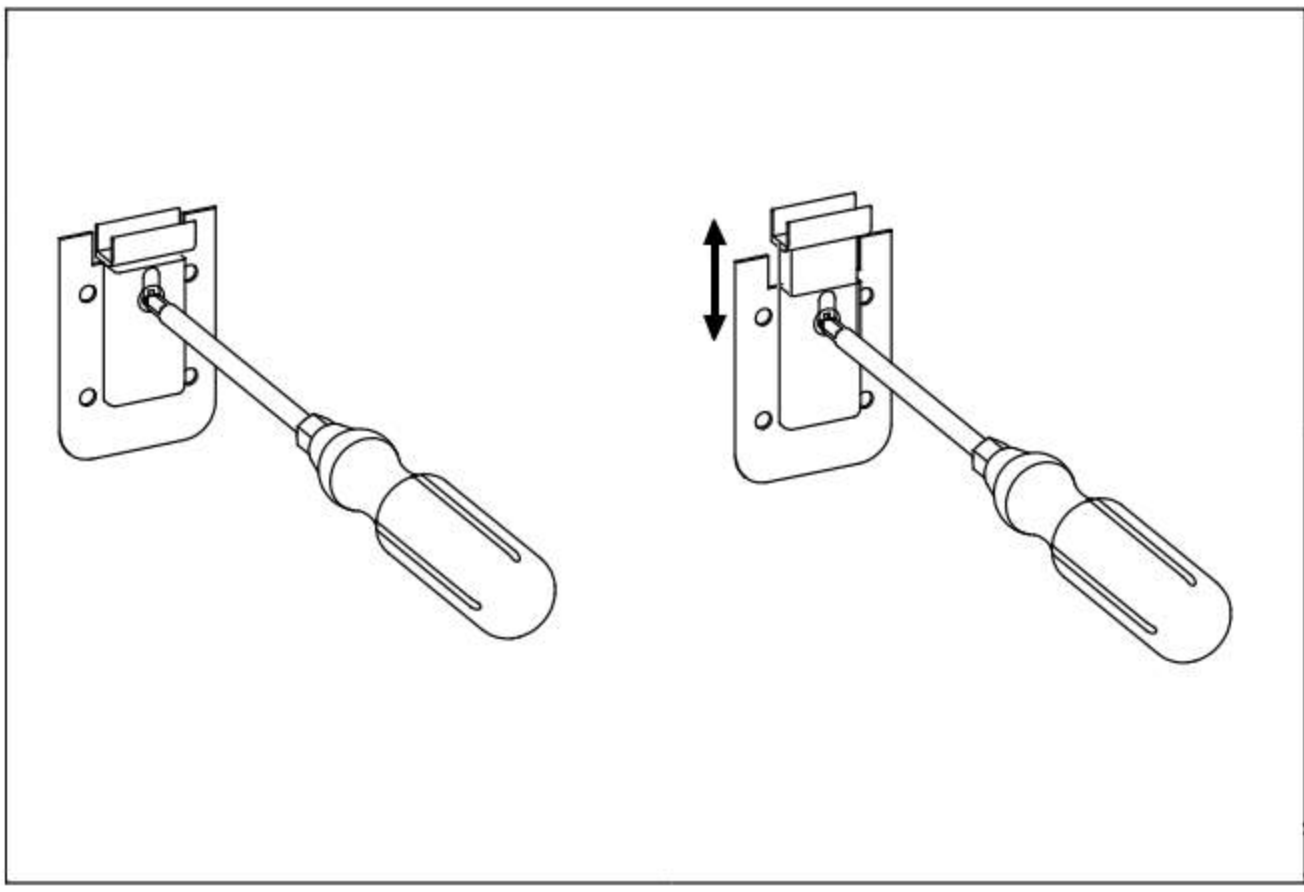
10

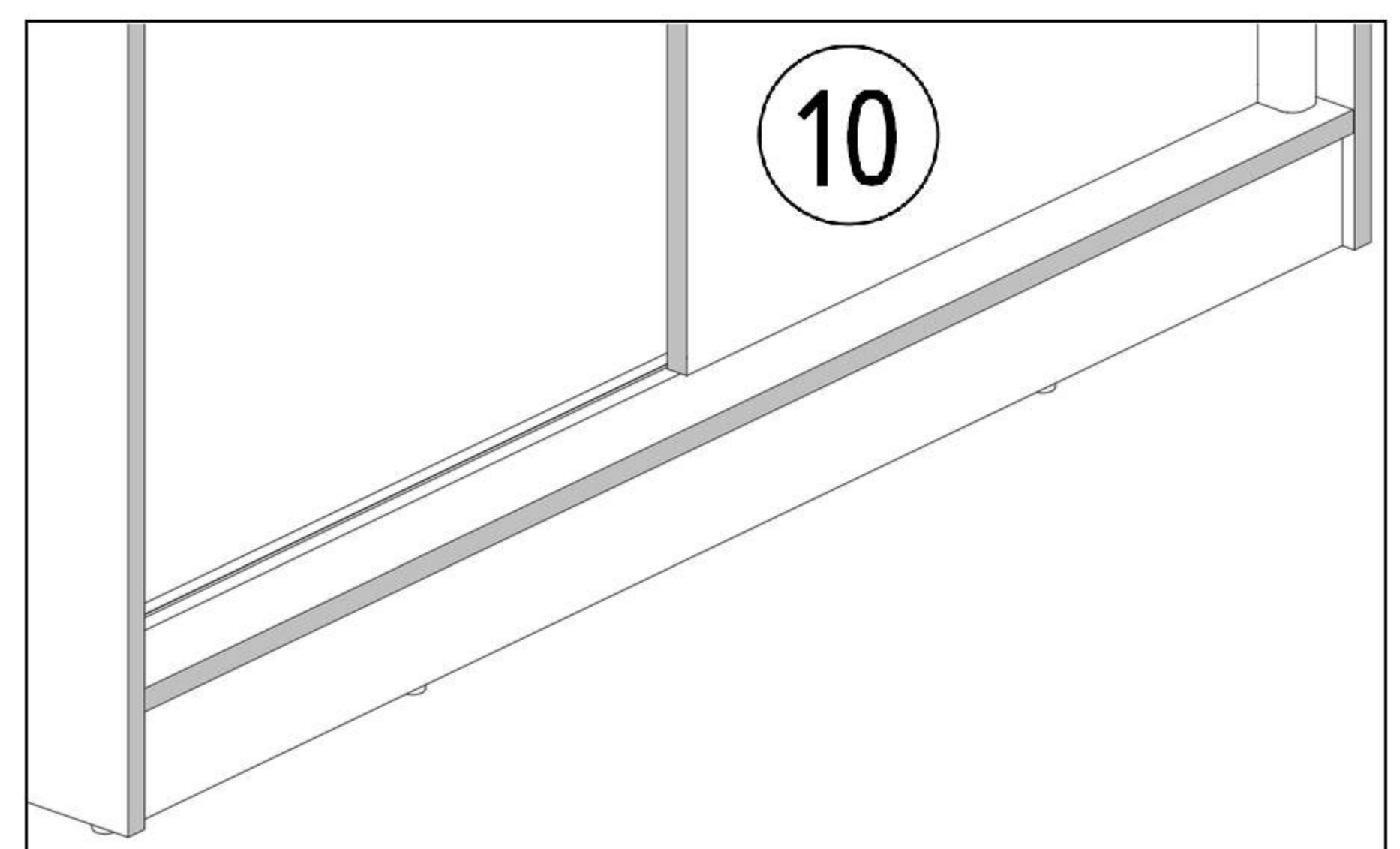
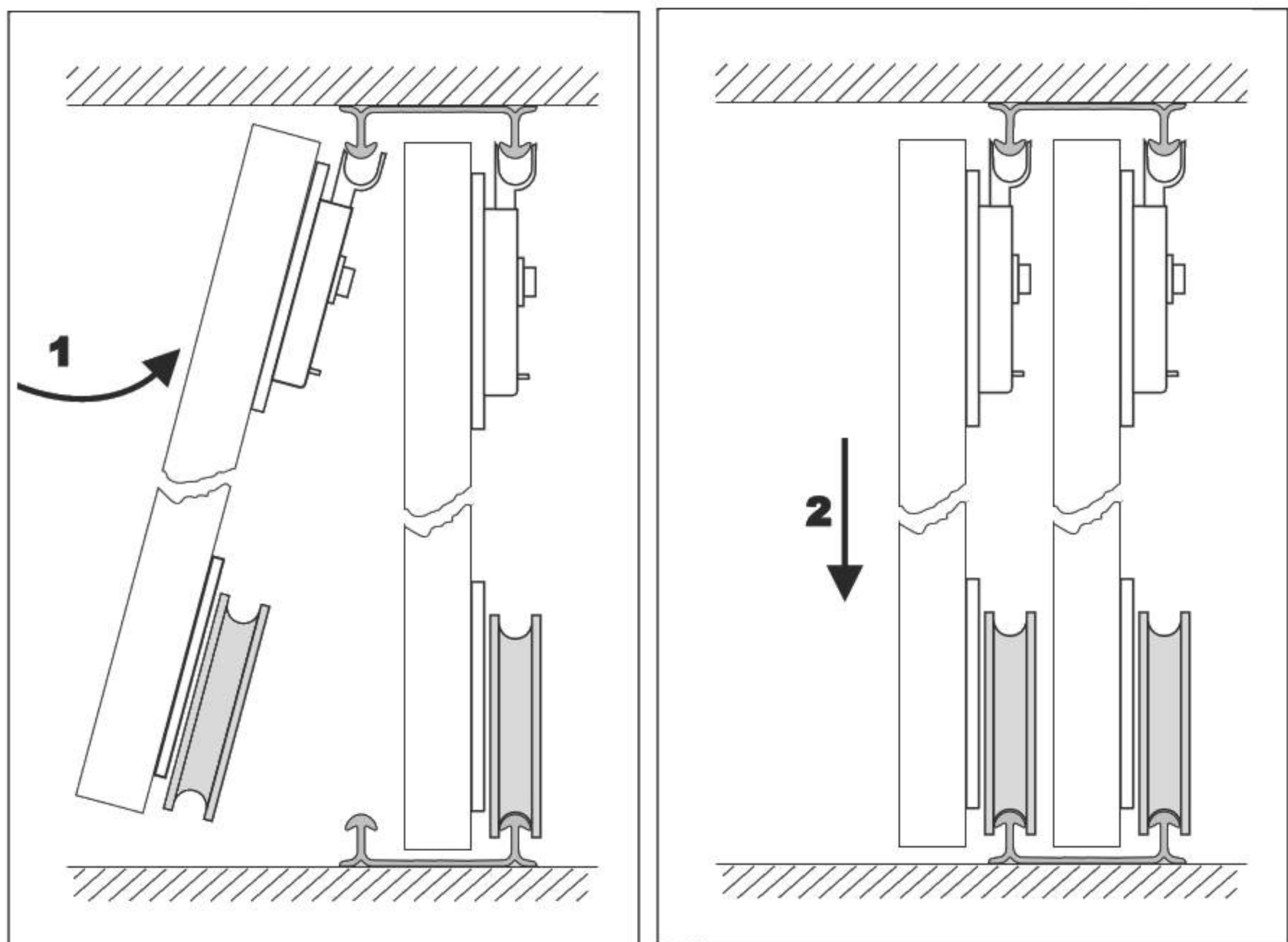
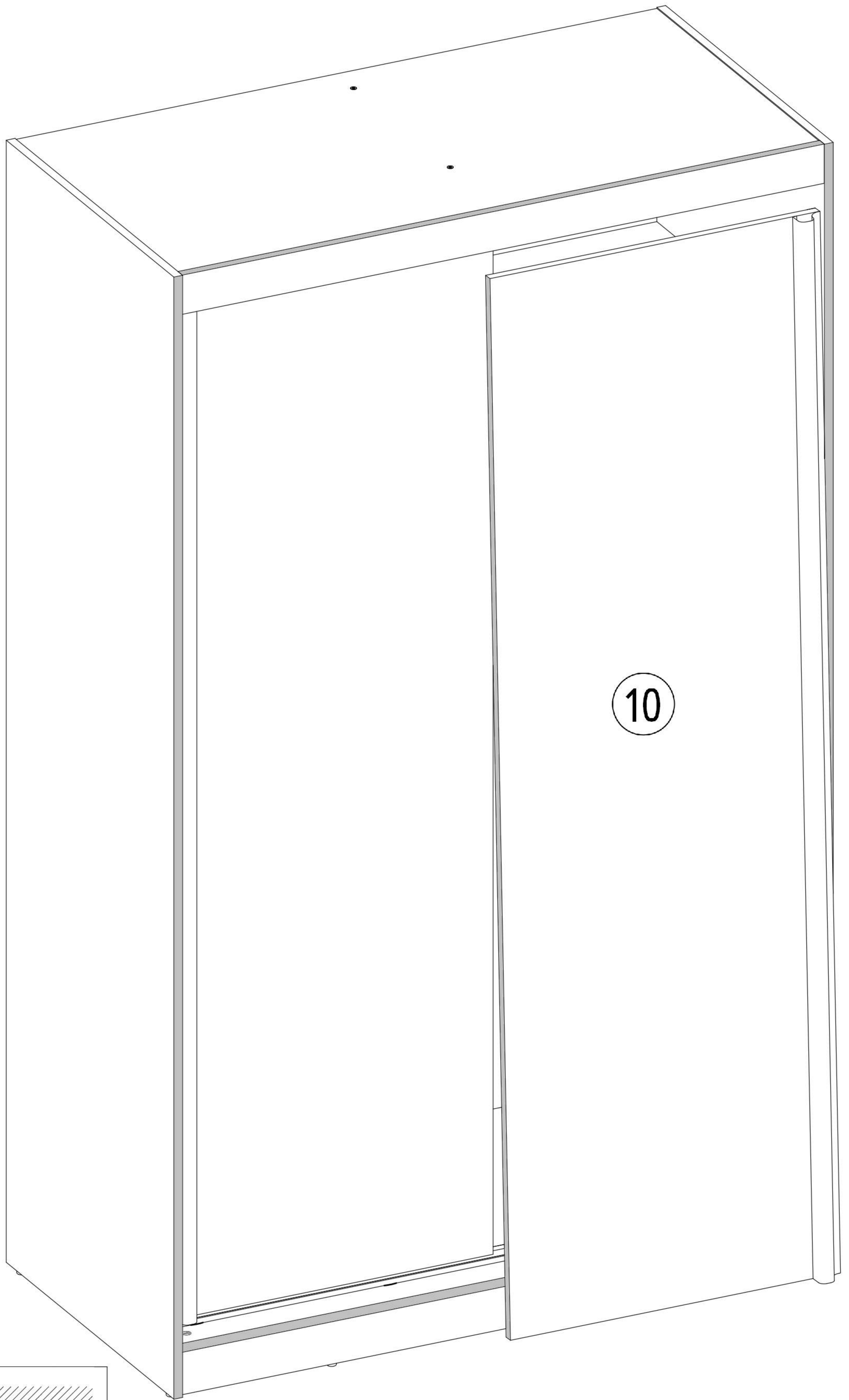
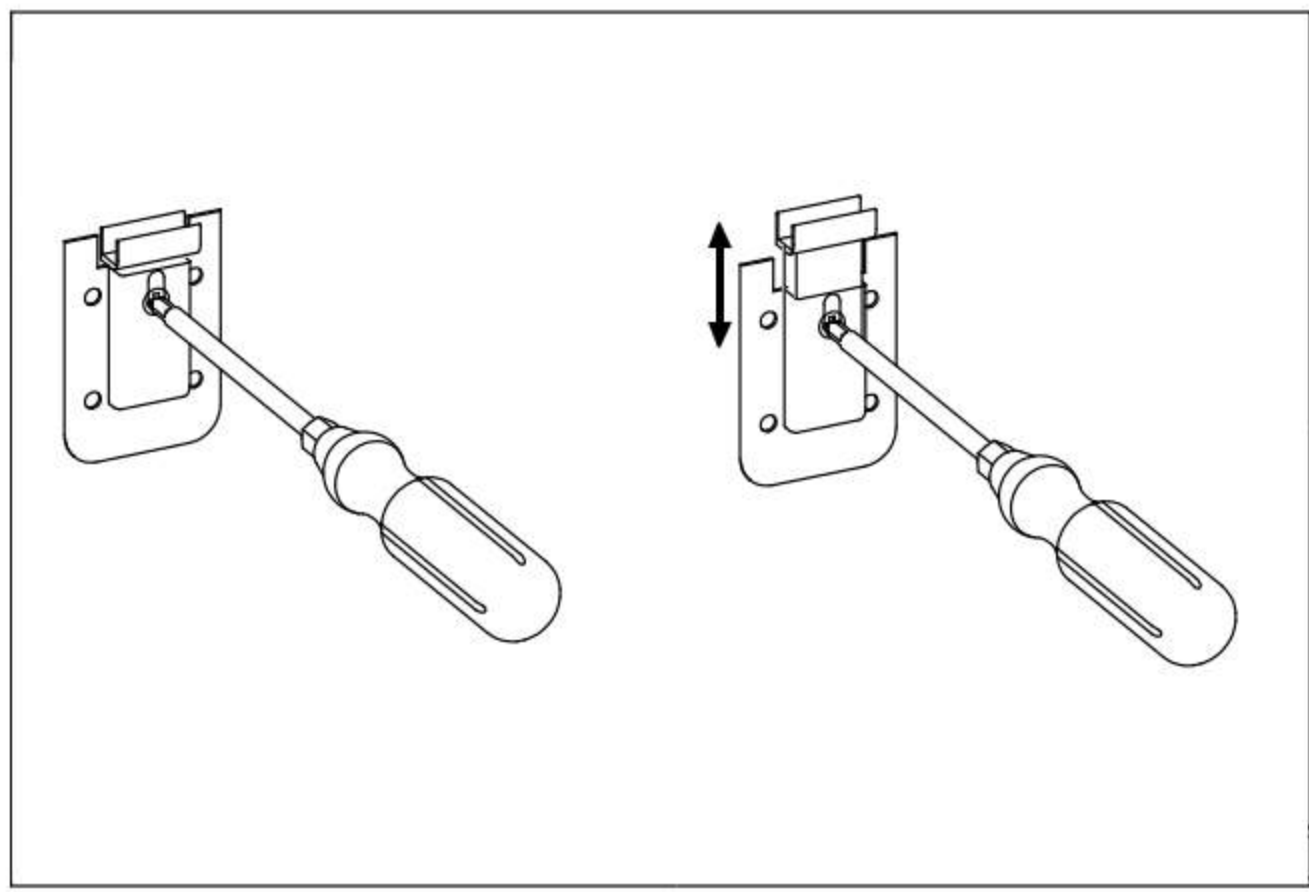




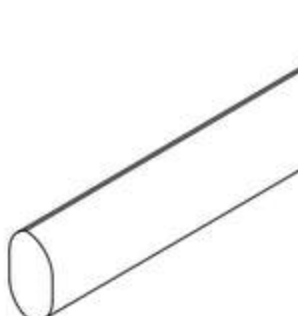



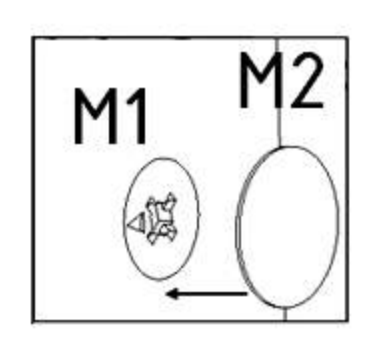
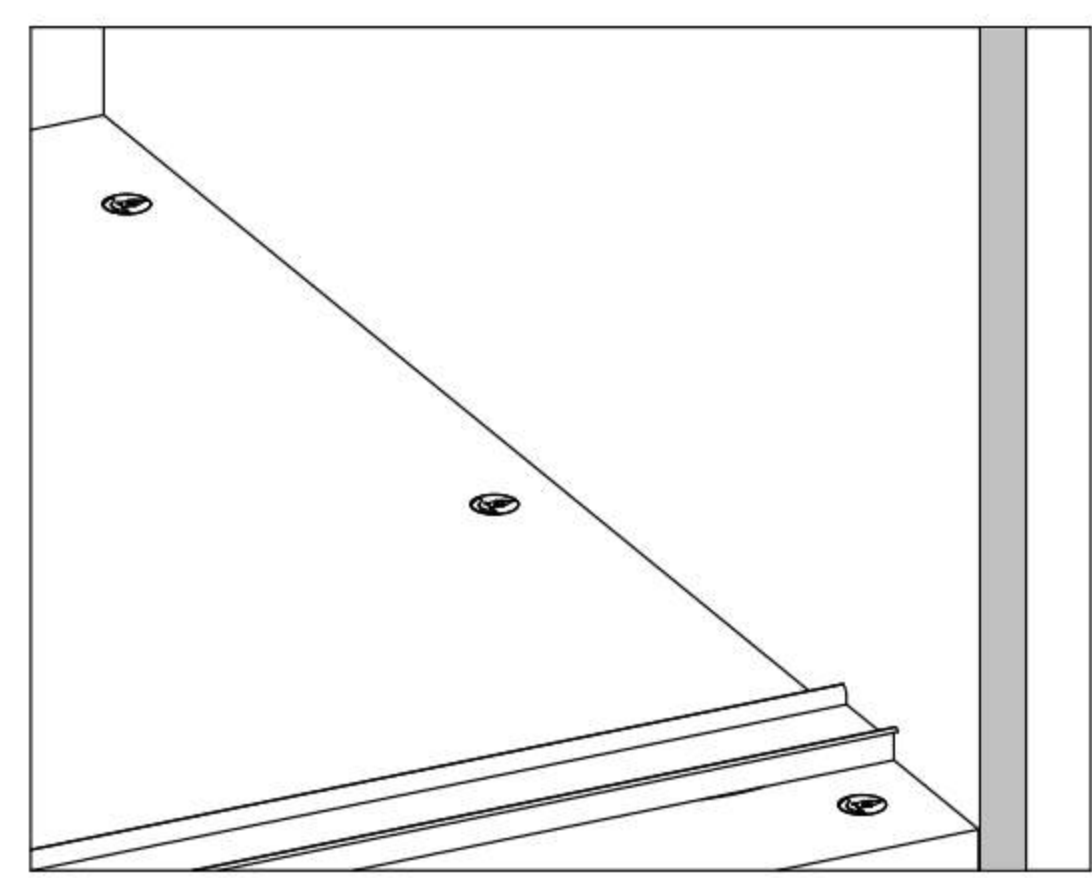
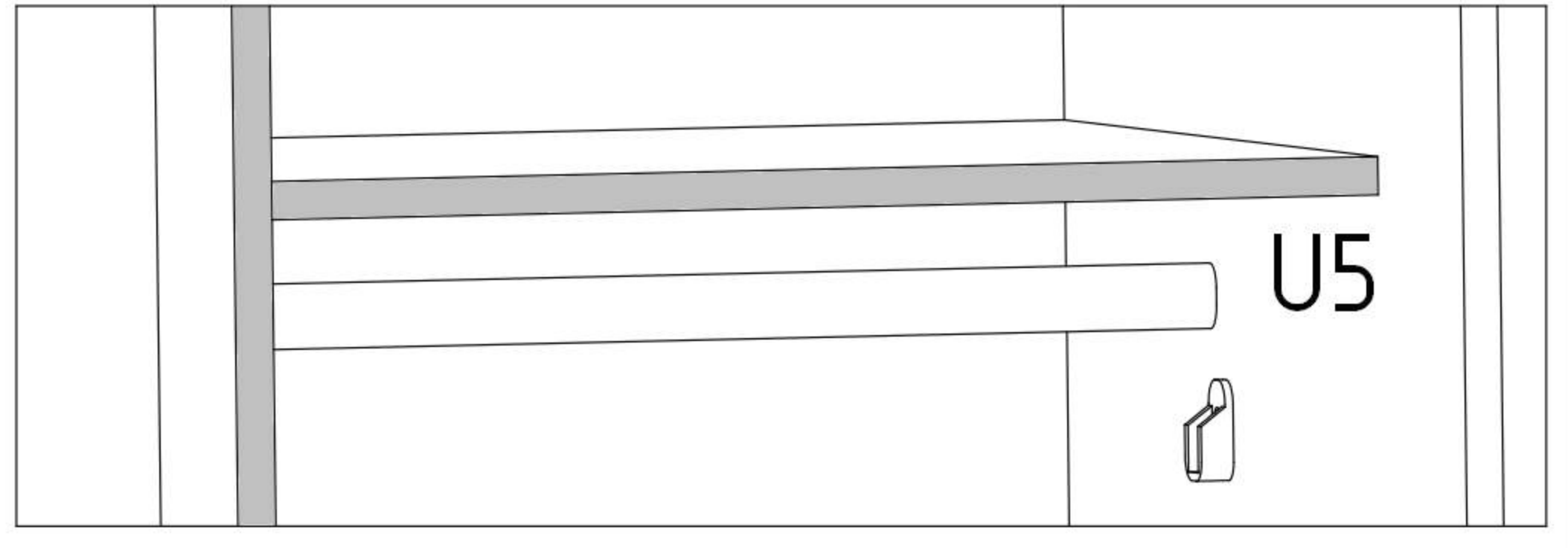
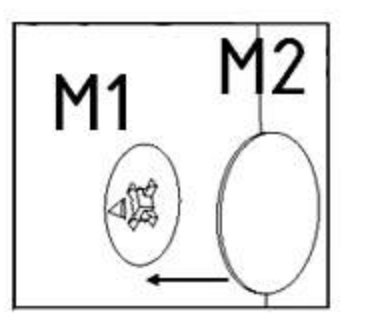
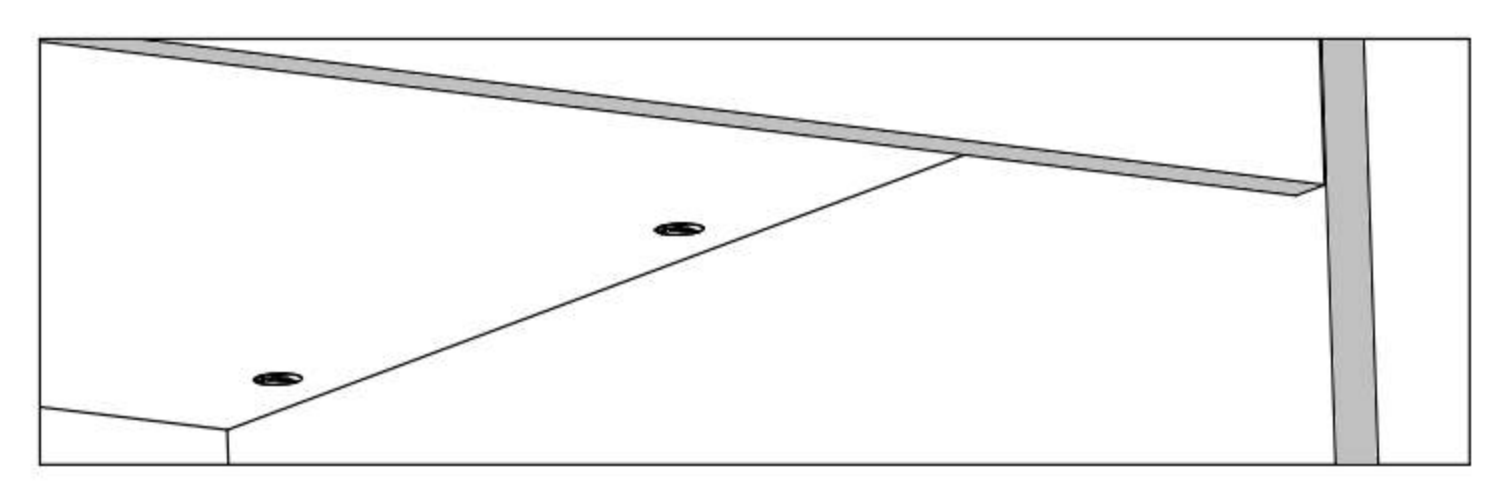
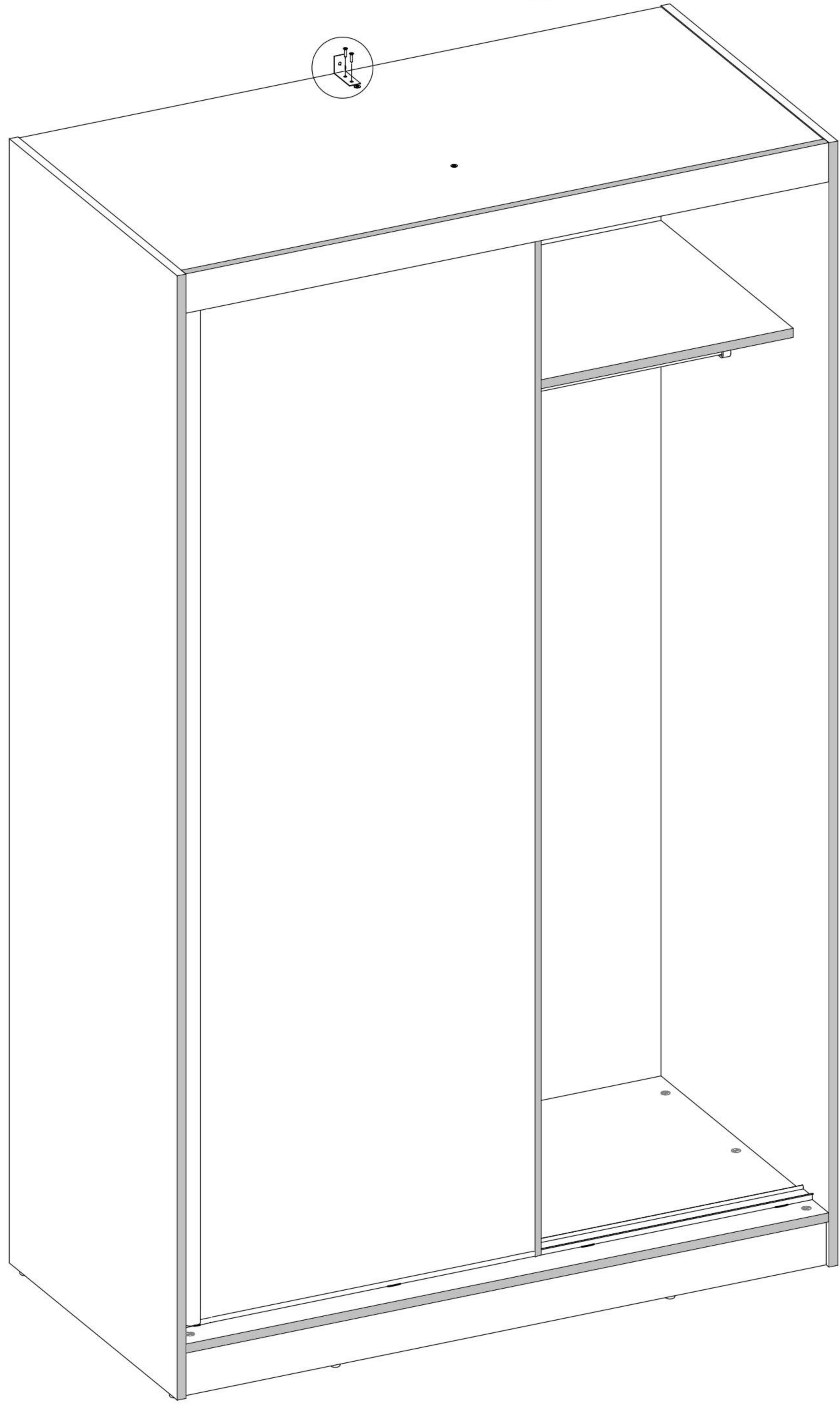
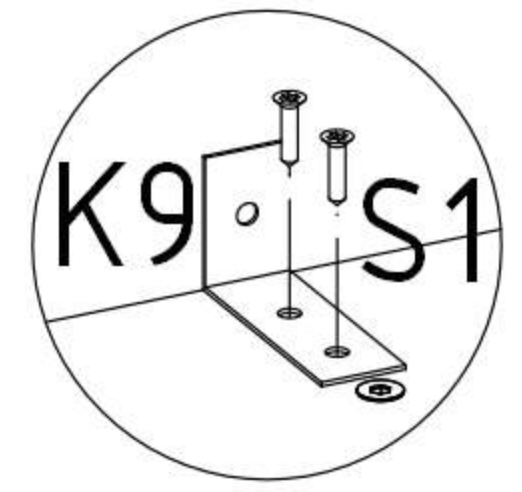
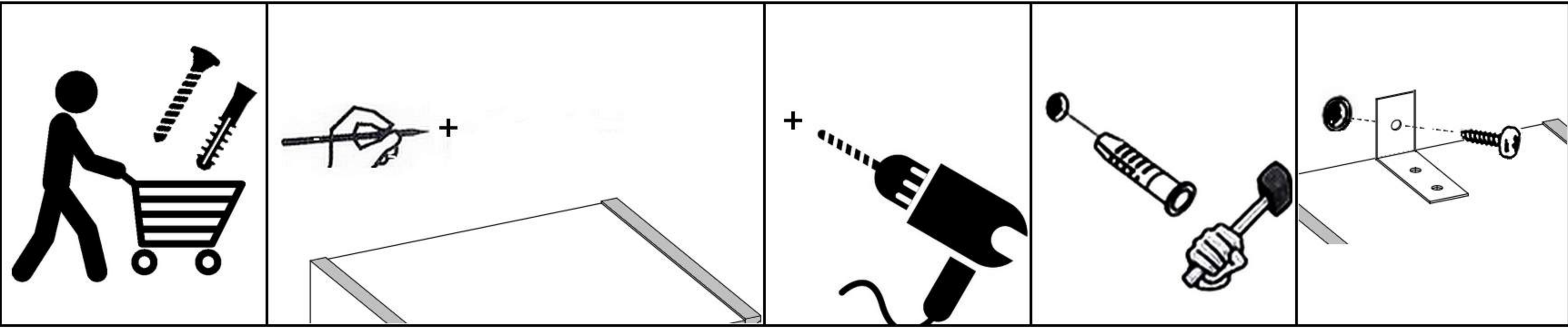




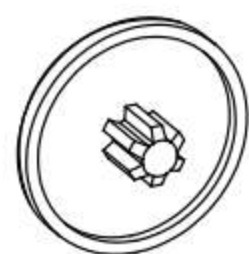




<b>K9</b>  <b>x1</b>	<b>S1</b>  <b>x2</b>	<b>U5</b>  <b>x1</b>	<b>M2</b>  <b>x5</b>
---	---	--	---



M2



x5

