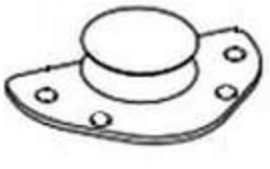

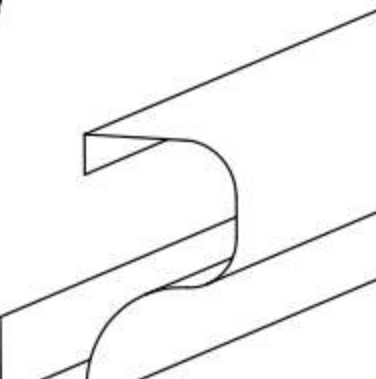
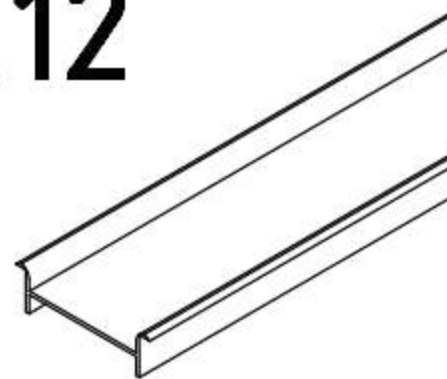

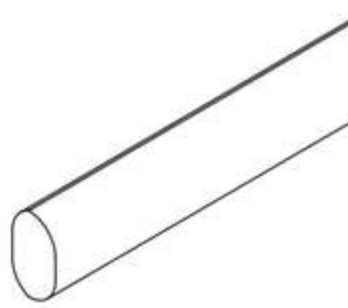
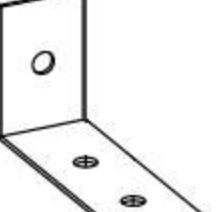





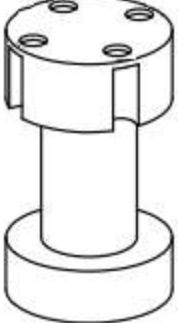

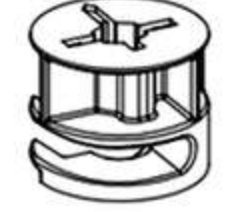




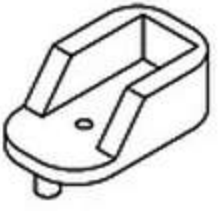

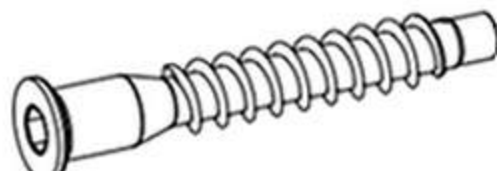

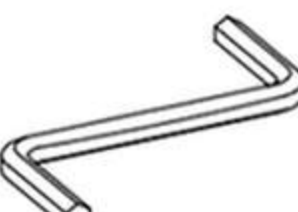

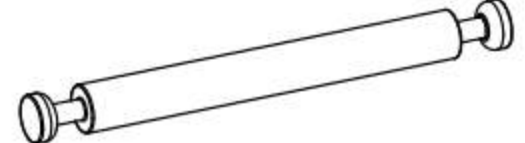

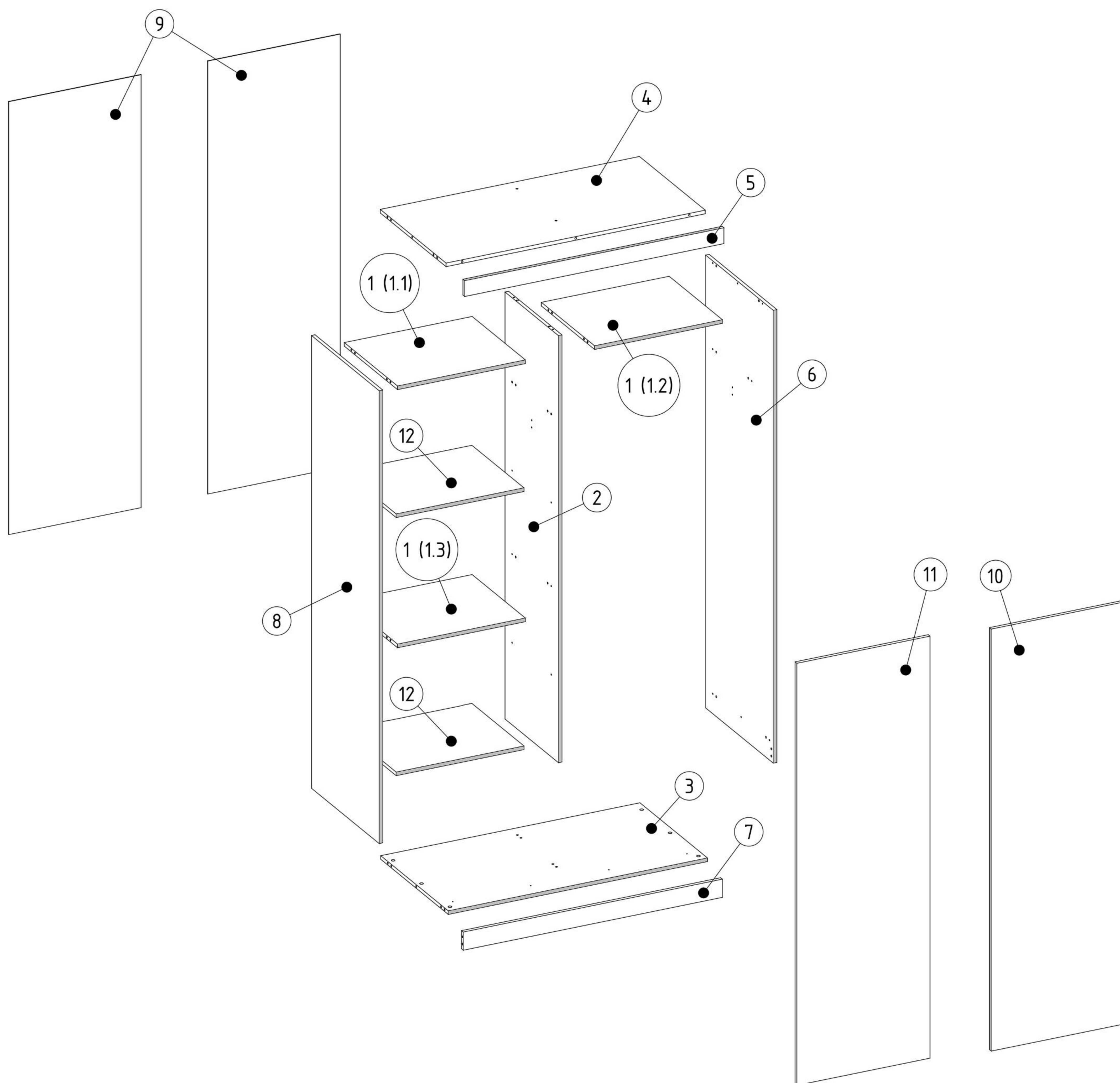

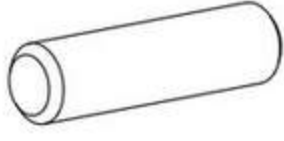
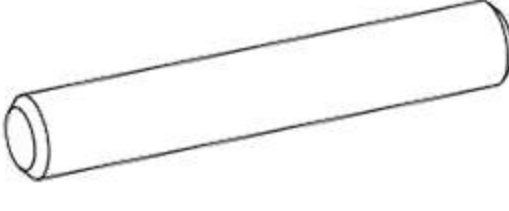


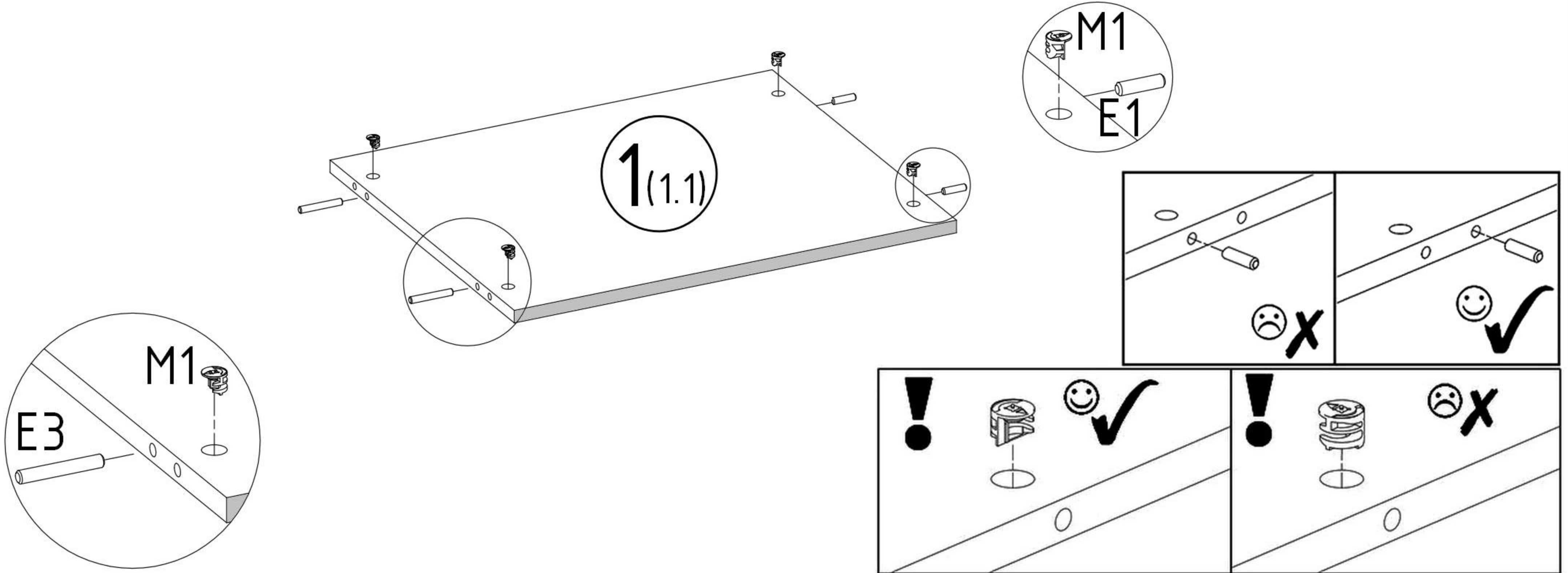
A7  x4	A8  x4	U7  L=1862mm x2	K12  L=1164mm x2	K11  x8	U5  L=565mm x1	
K9  x1	K4  x16	L2  L=568mm x4	S6  2,5x20 x16	K1  x1	V7  x2	T4  x1
N1  L=35mm x23	M1  12x15mm x27	M2  ø16mm B,S-A x10	S1  3,5x16mm x20	E1  8x30mm x24	E3  8x50mm x2	K10  x2
Z1  x150	F1  7x50mm x4	K7  5x16mm x8	F3  x1	S10  4x15 mm x24	N4  L=62mm x2	T1  x6


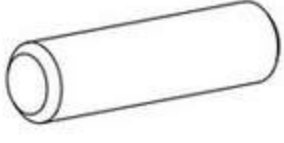


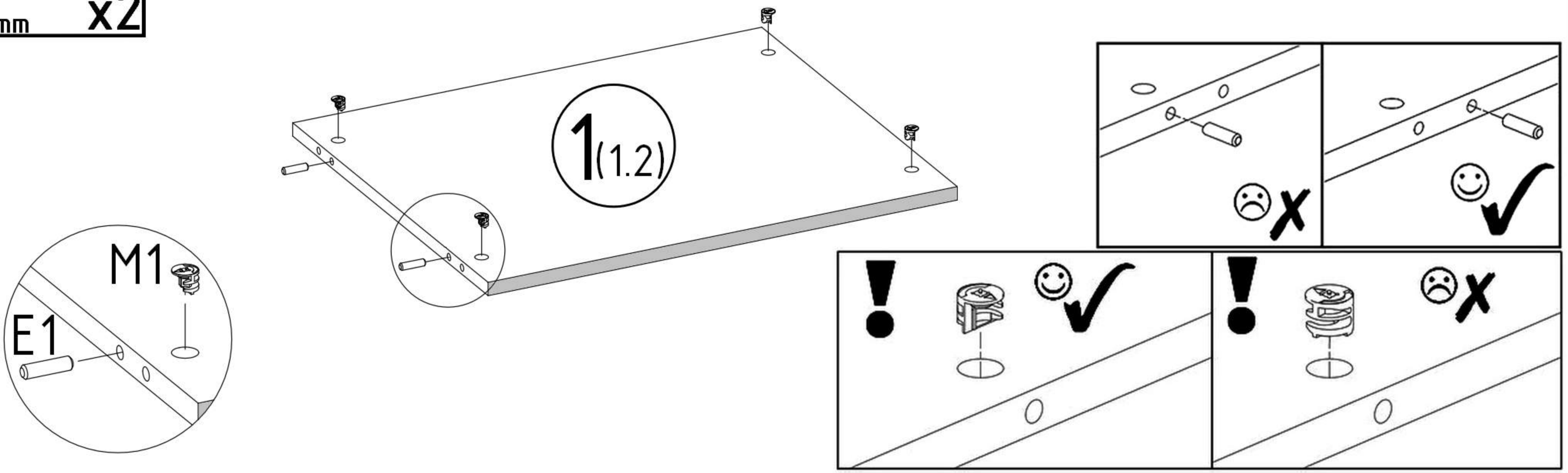
1	x	3
2	x	1
3	x	1
4	x	1
5	x	1
6	x	1


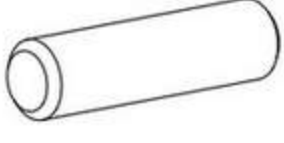
7	x	1
8	x	1
9	x	2
10	x	1
11	x	1
12	x	2

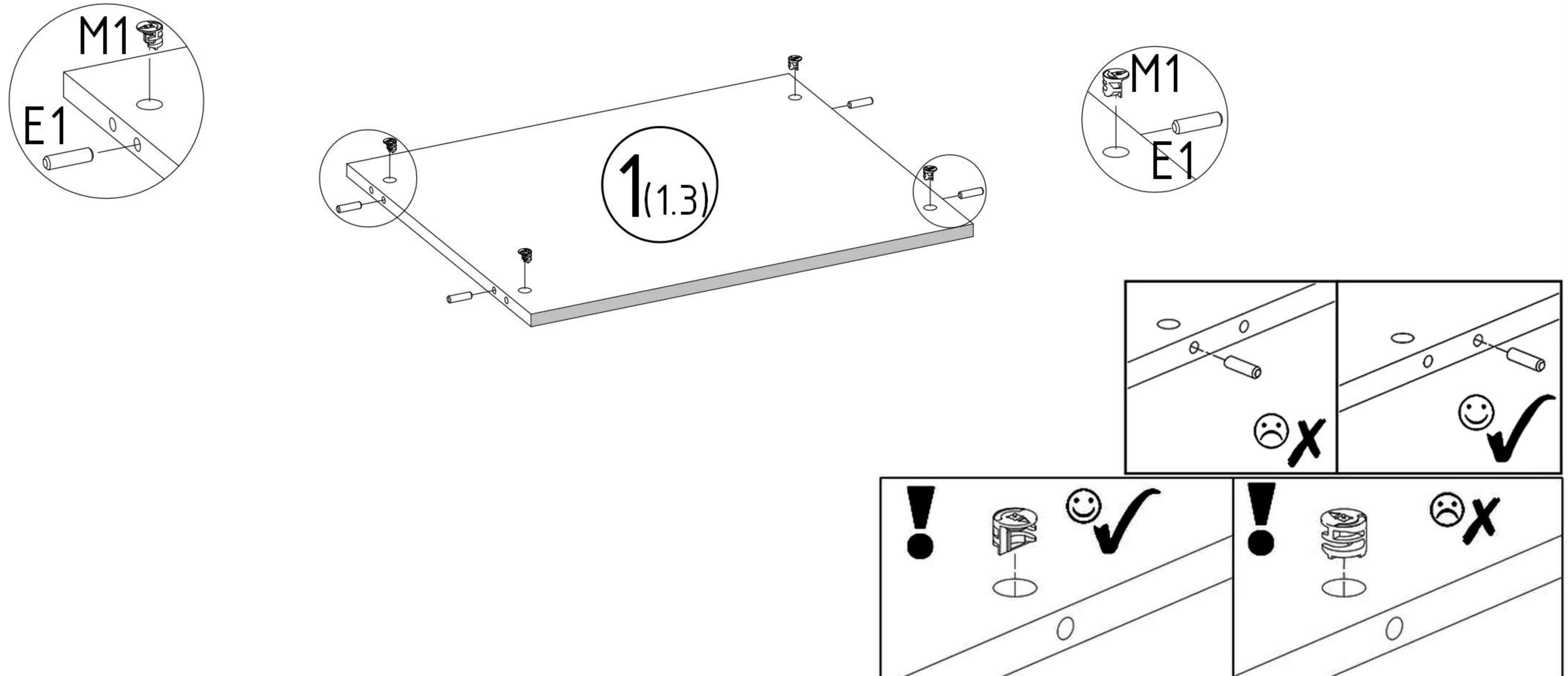
M1 	E1 	E3 
12x15mm x4	8x30mm x2	8x50mm x2


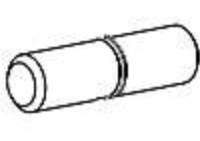
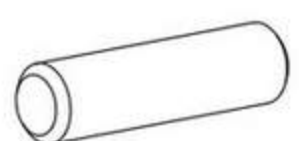


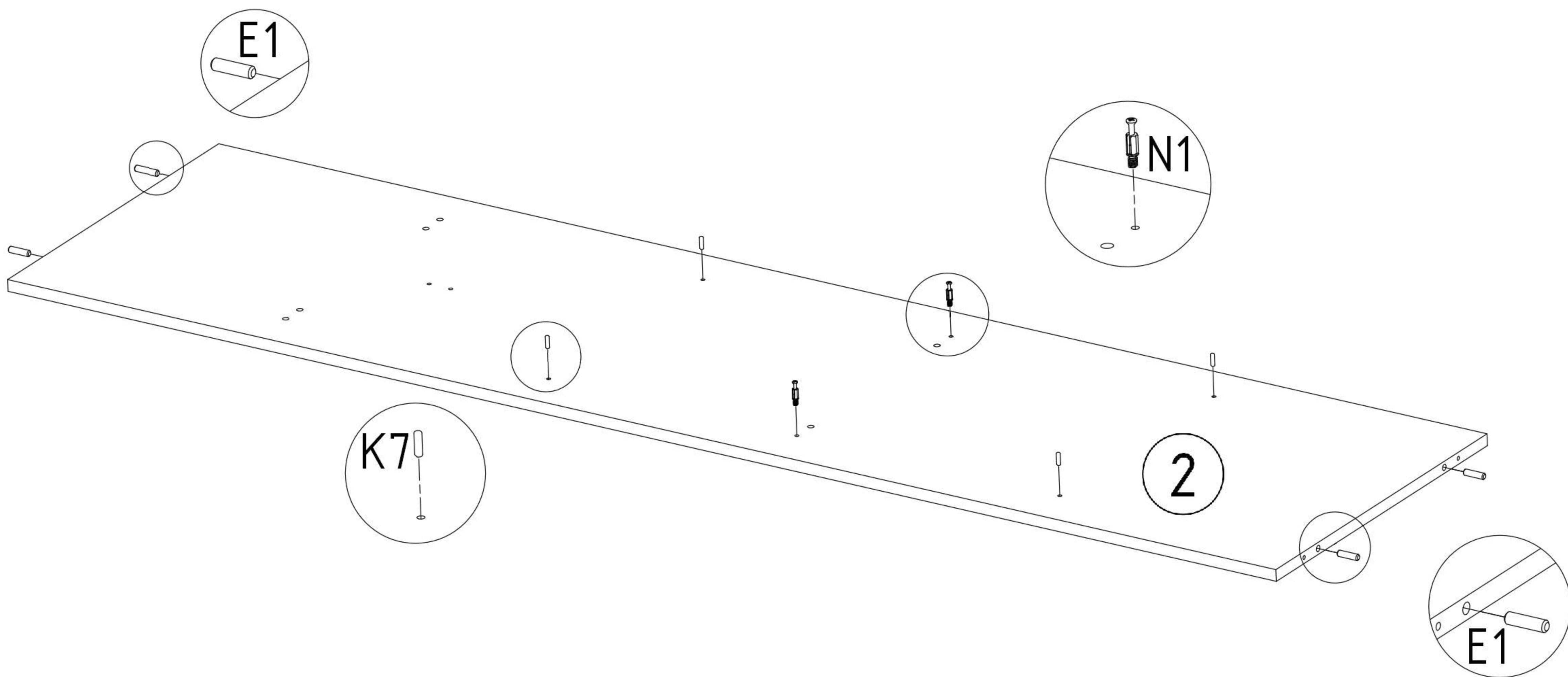
M1 	E1 
12x15mm x4	8x30mm x2


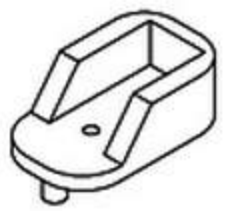


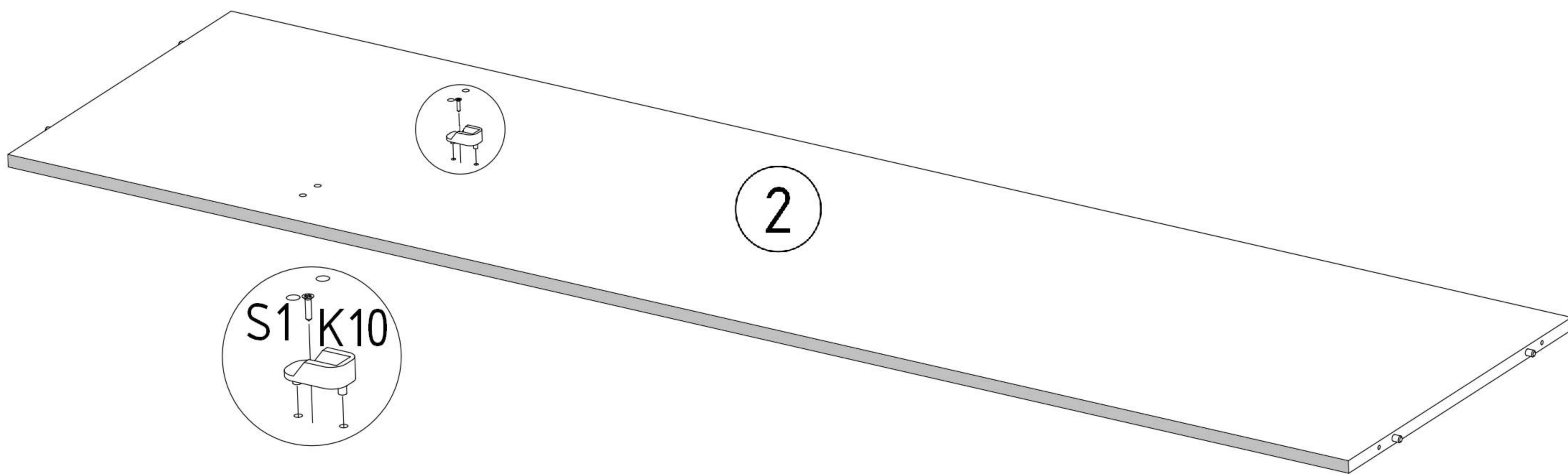
M1 	E1 
12x15mm x4	8x30mm x4

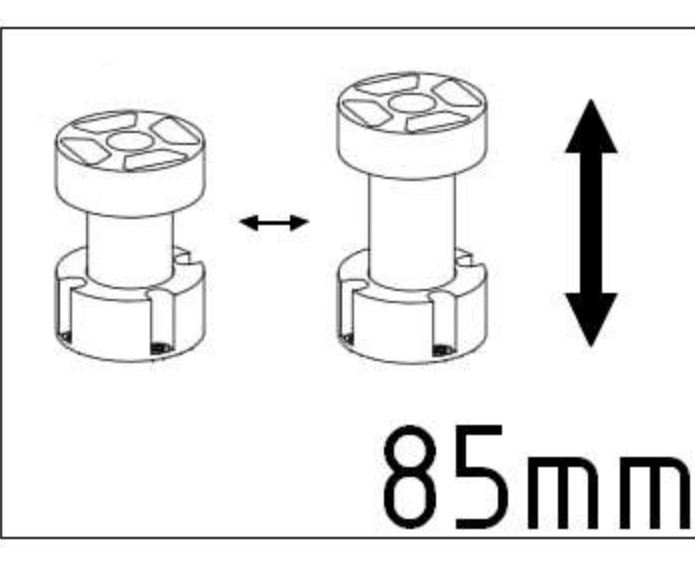
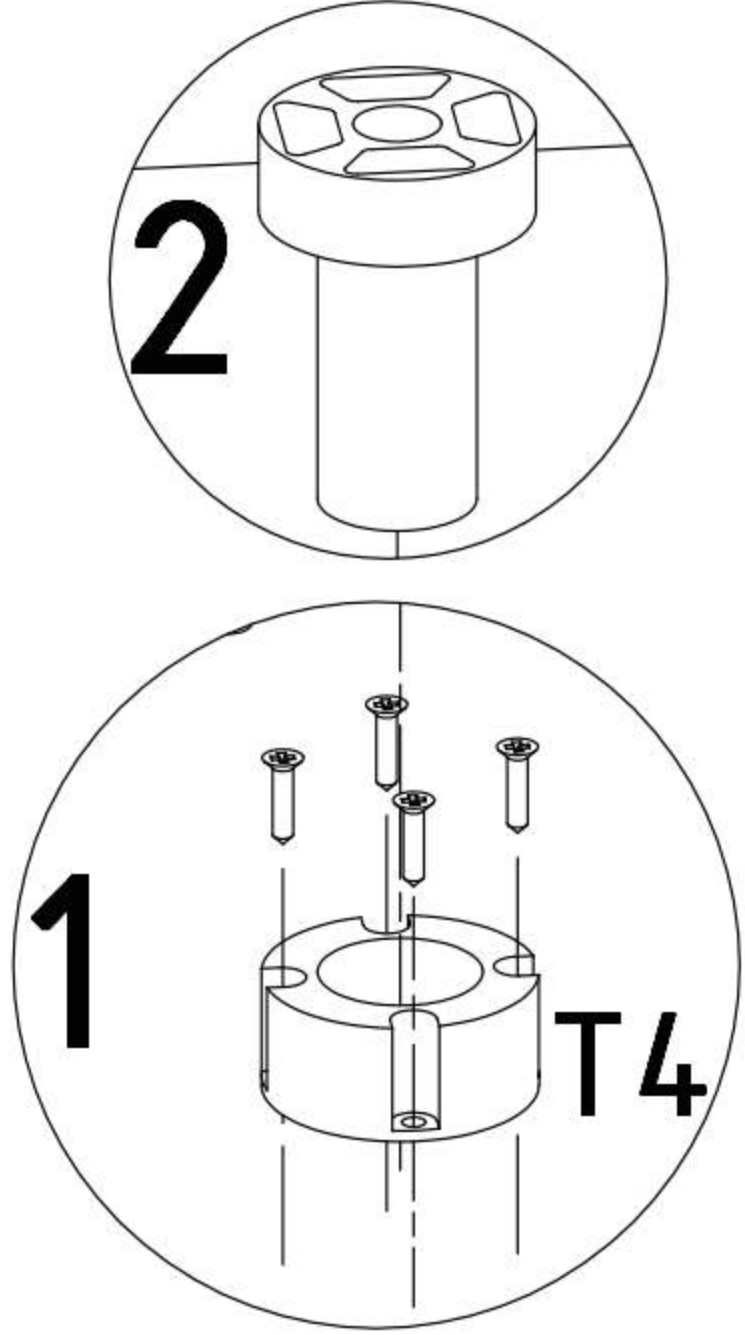
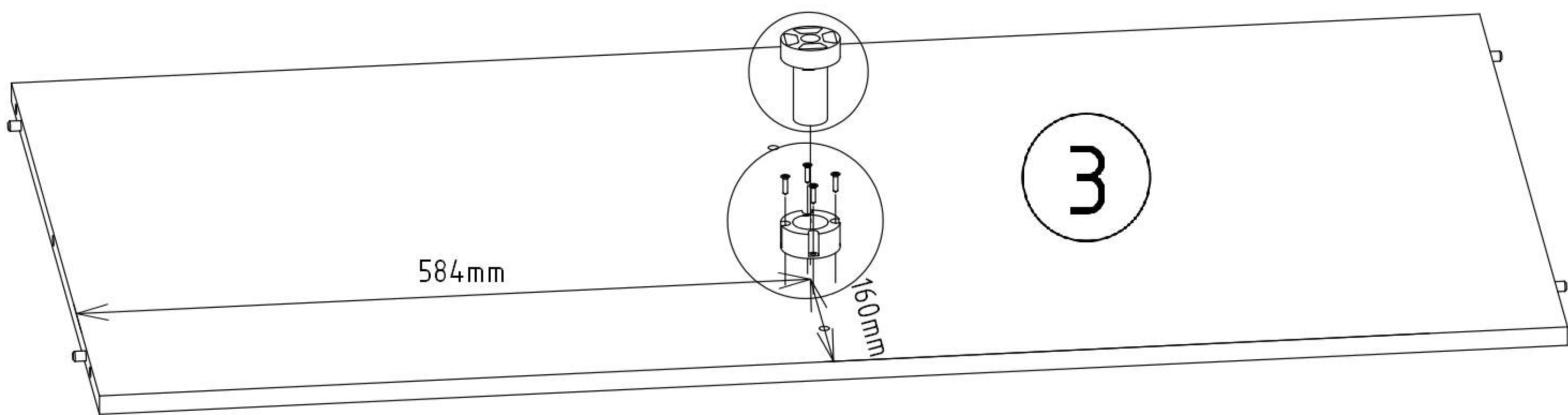
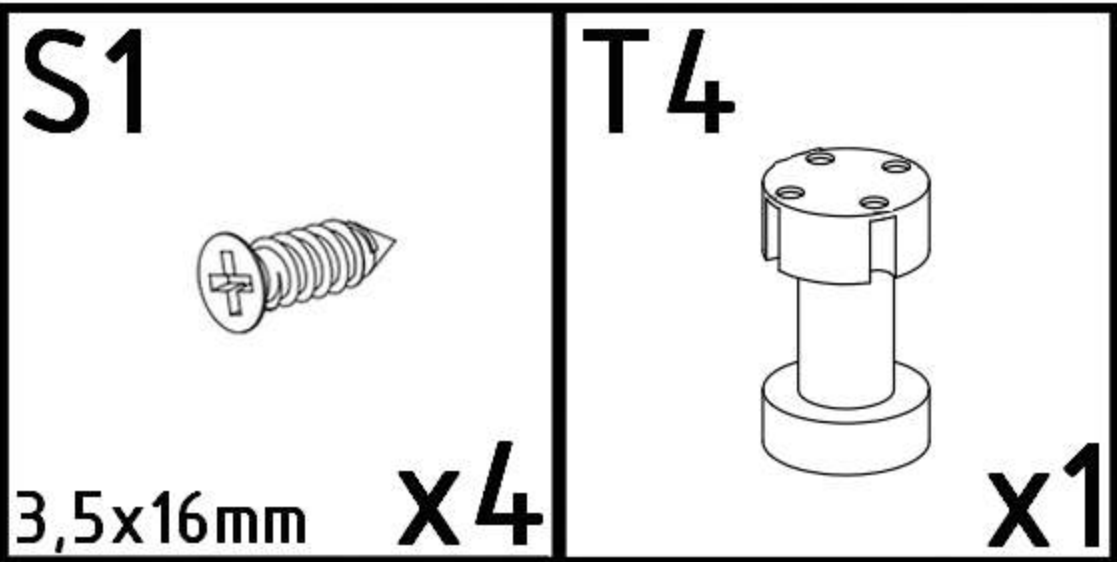
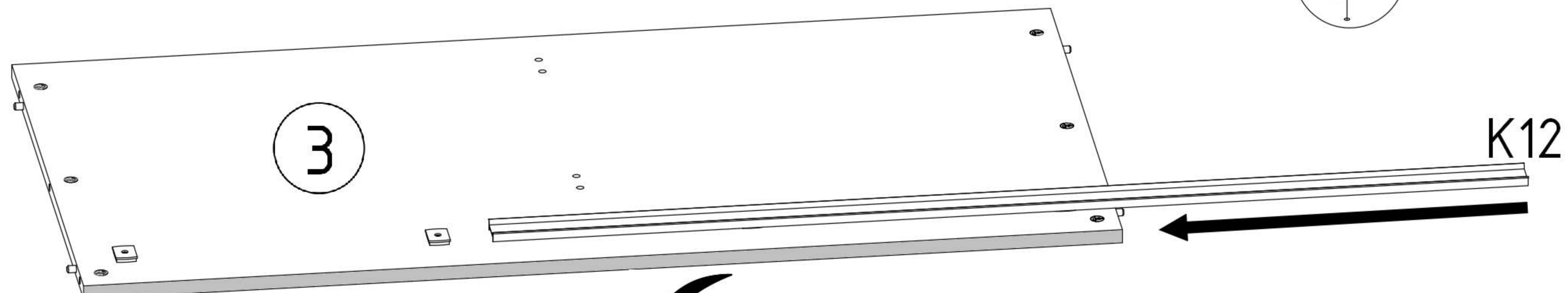
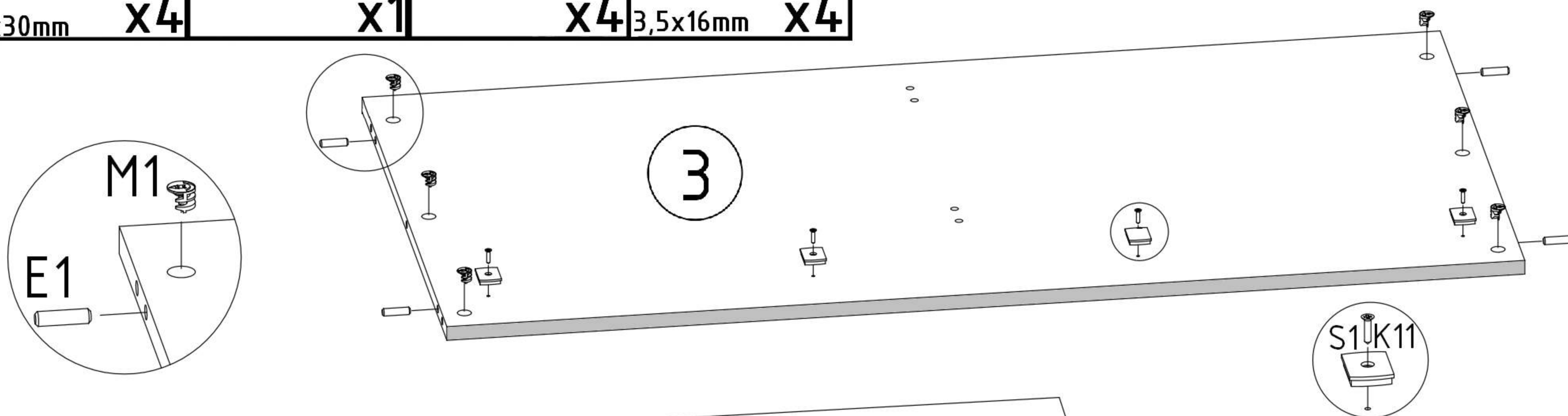
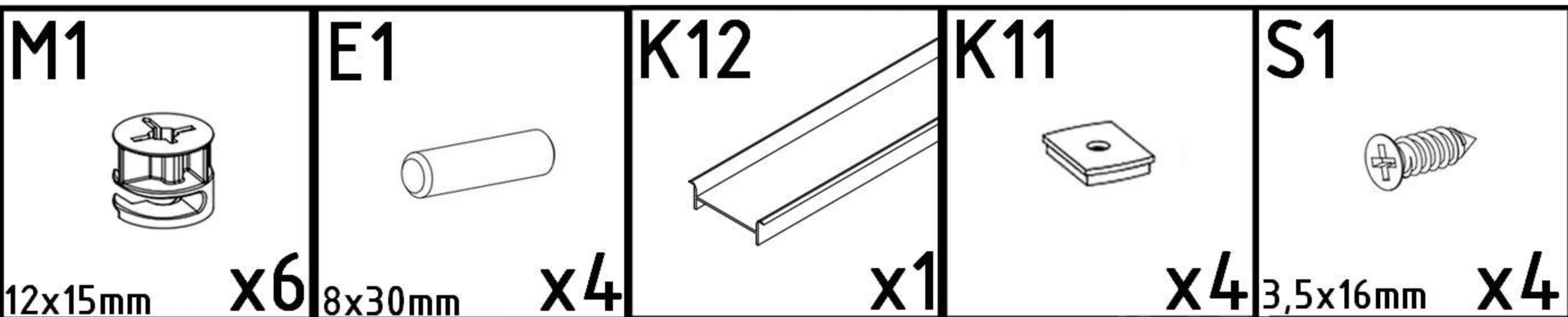
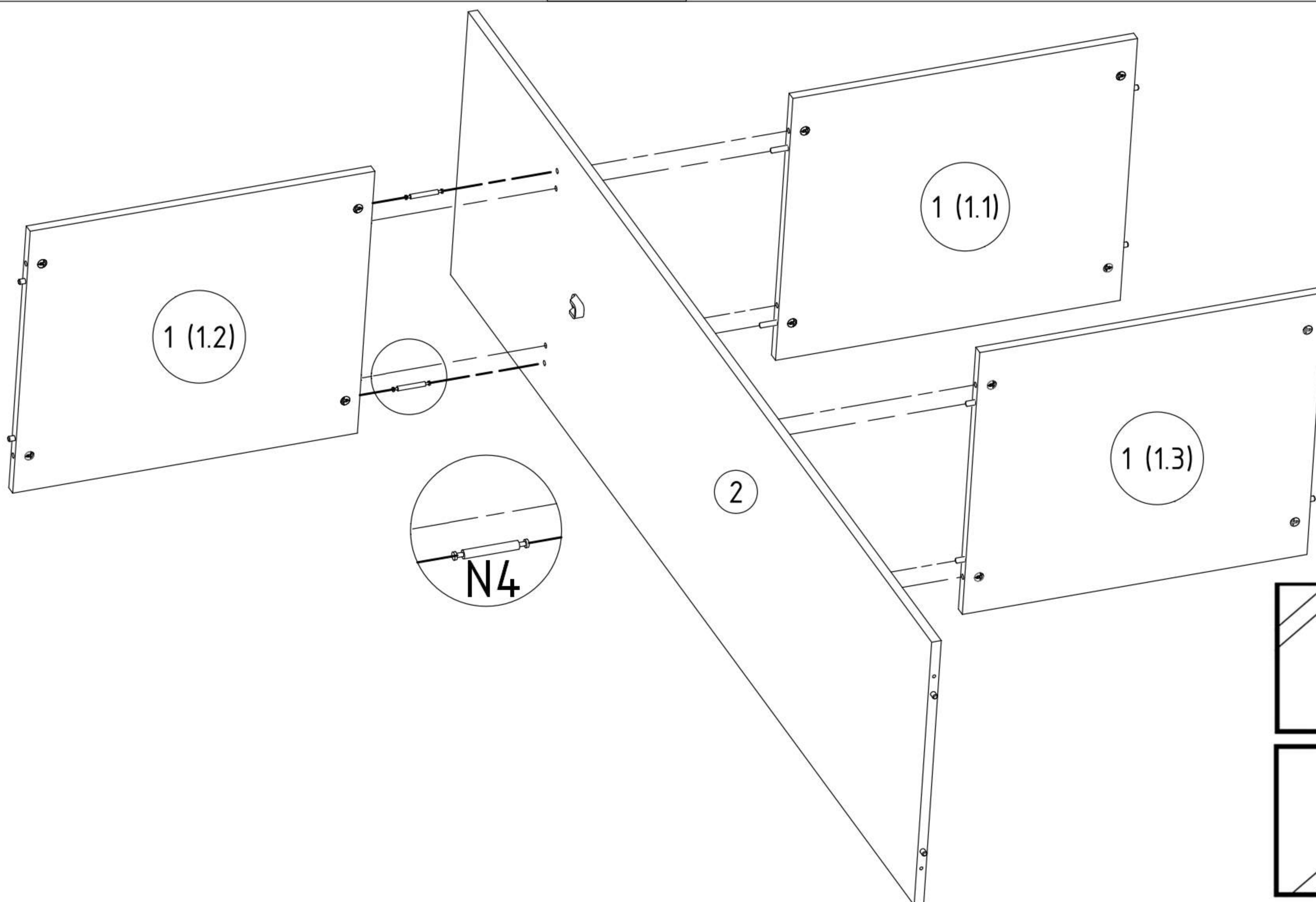
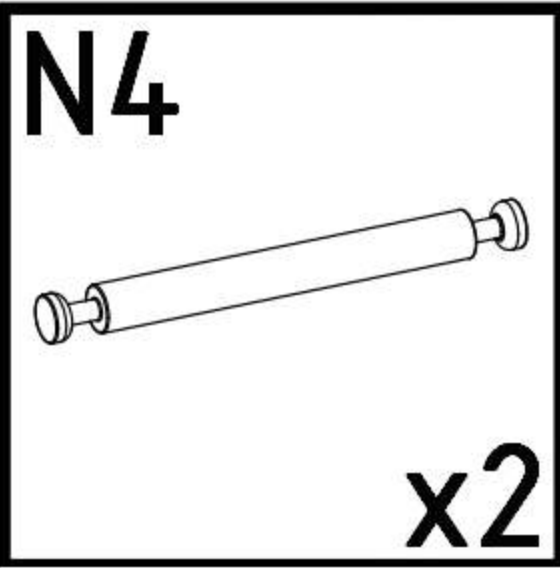


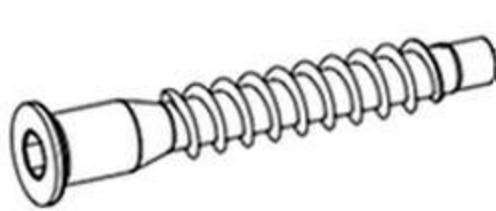
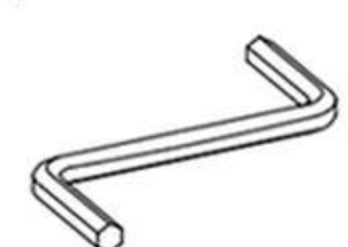
N1  L=35mm	K7  5x16mm	E1  8x30mm
x2	x4	x4

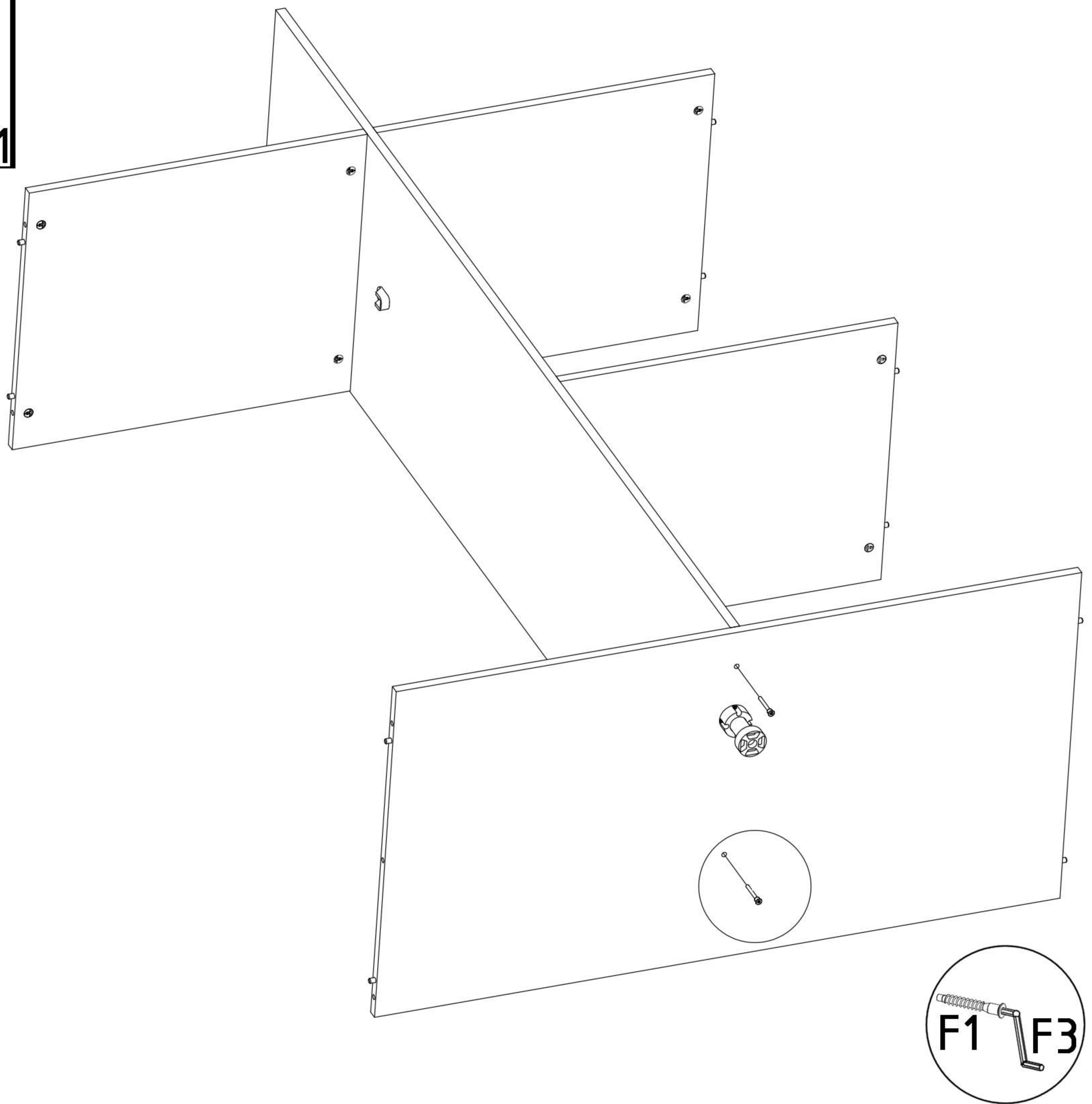


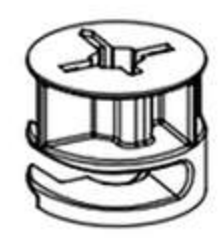
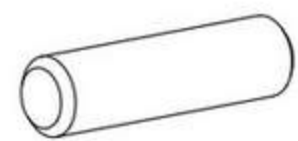
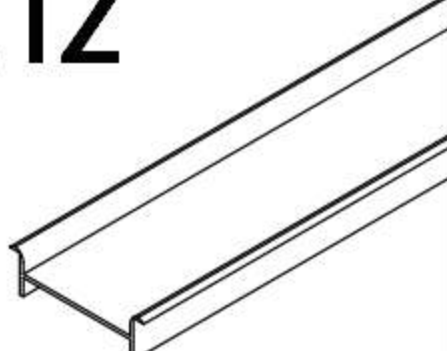


S1  3,5x16mm	K10  x1
x1	x1

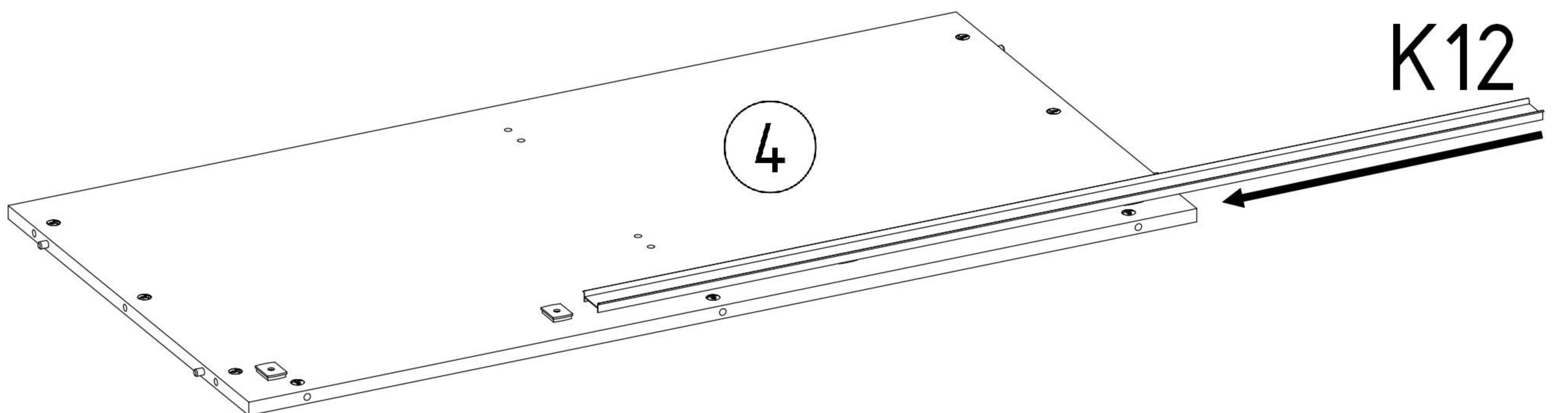
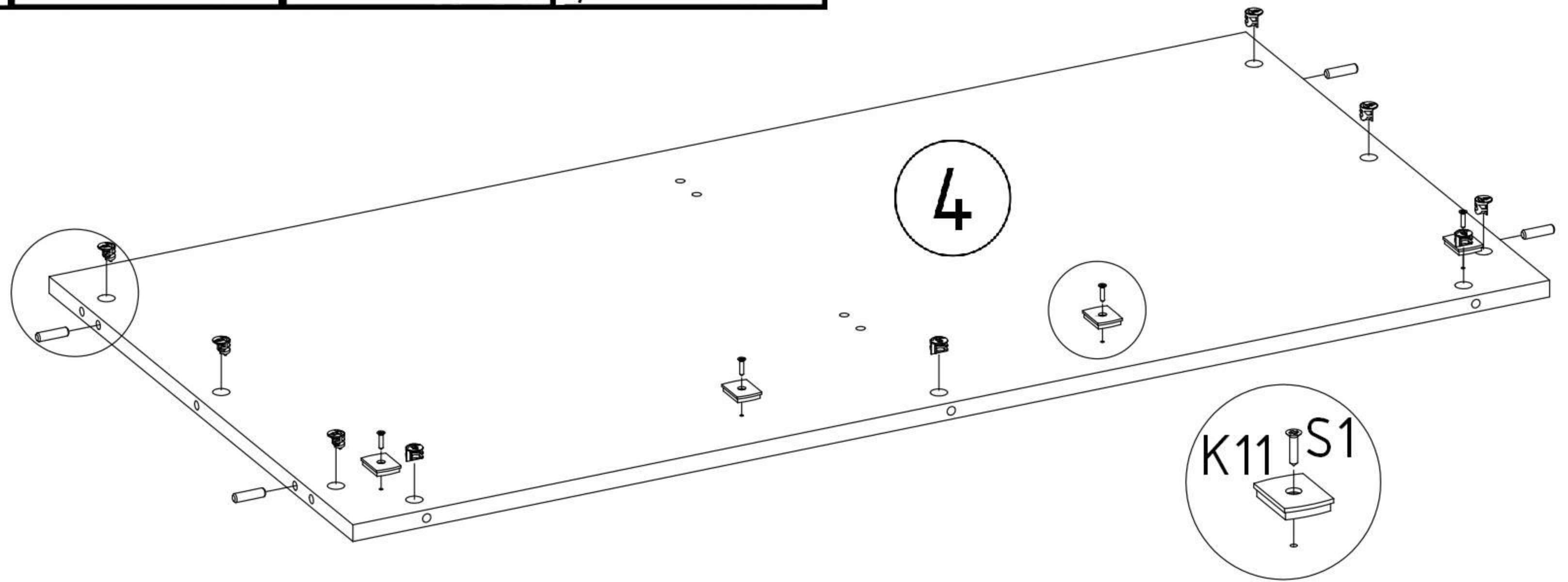
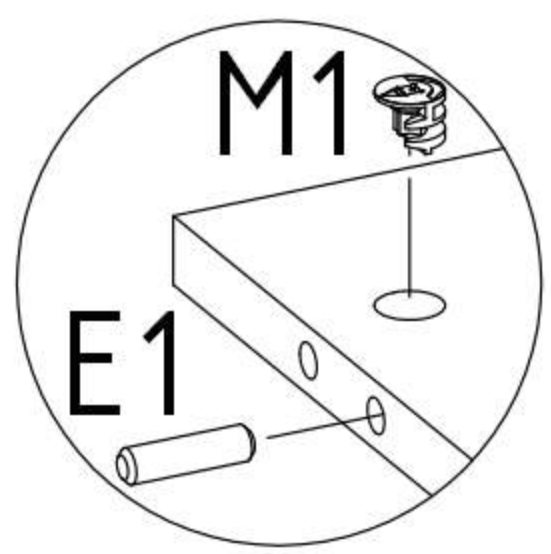





F1  7x50mm x2	F3  x1
--	--



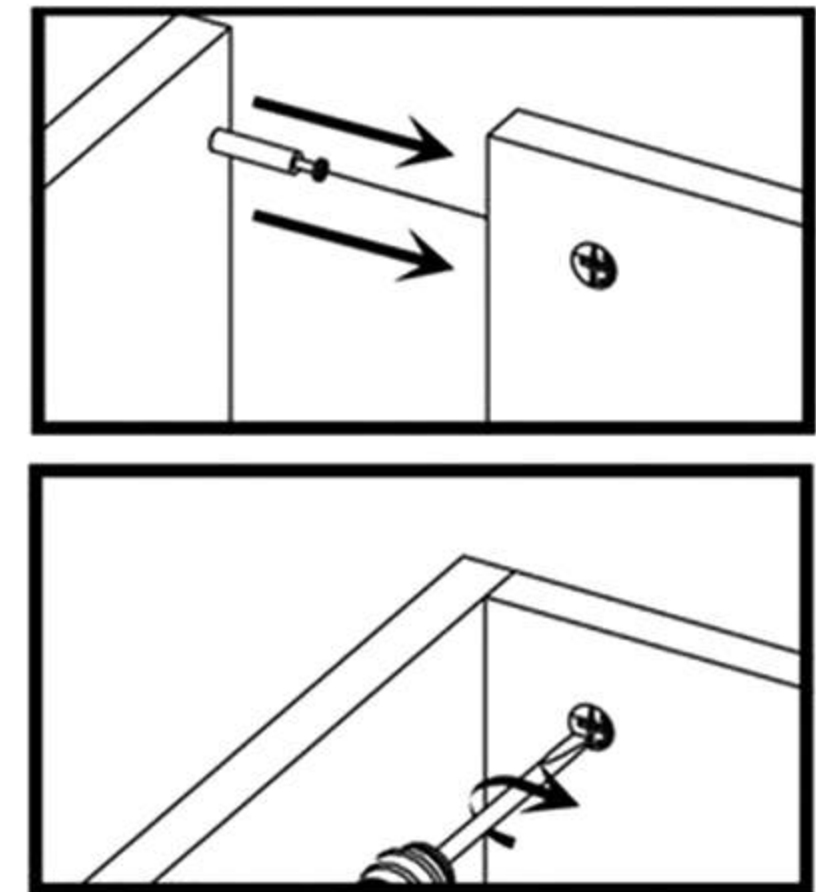
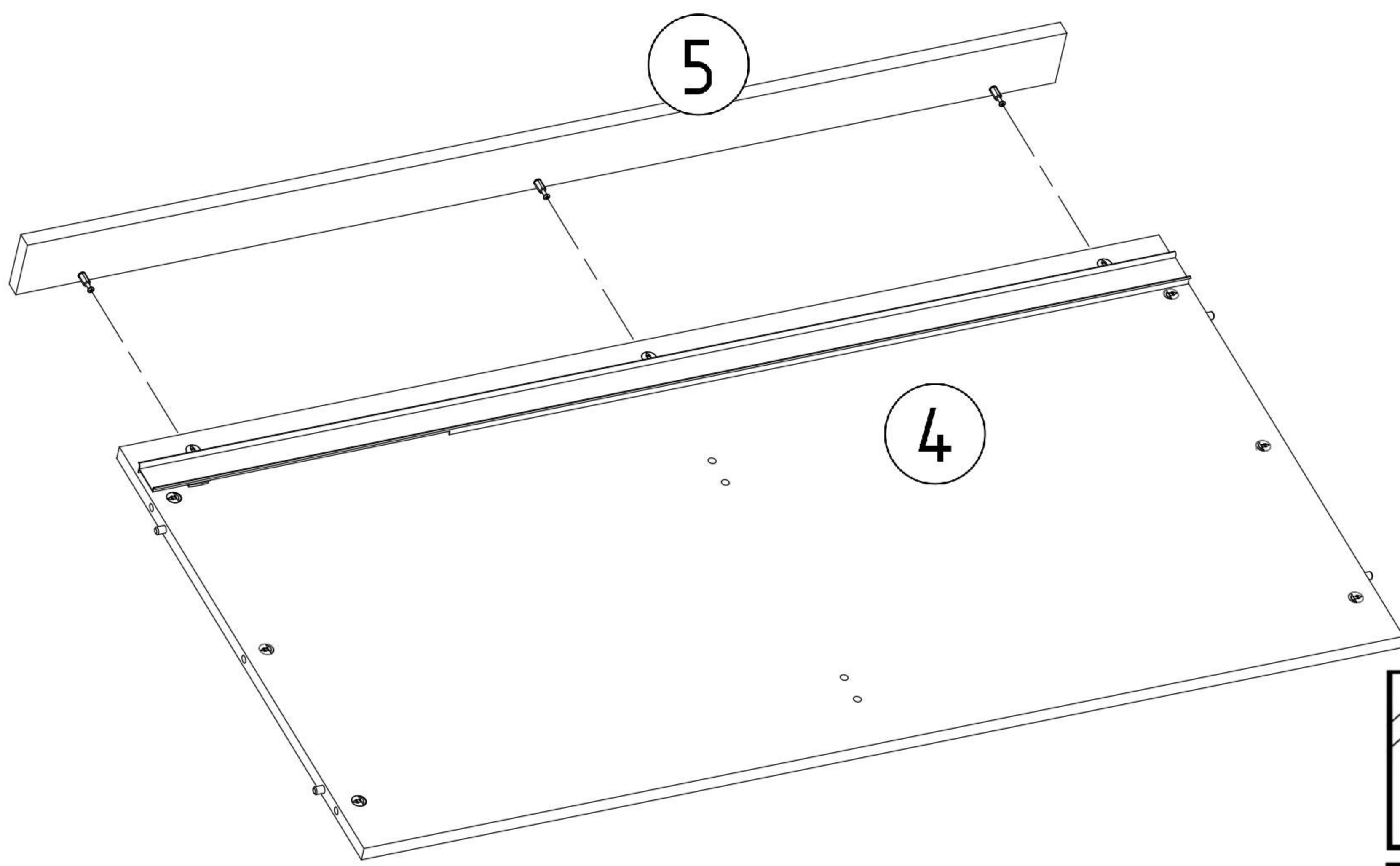
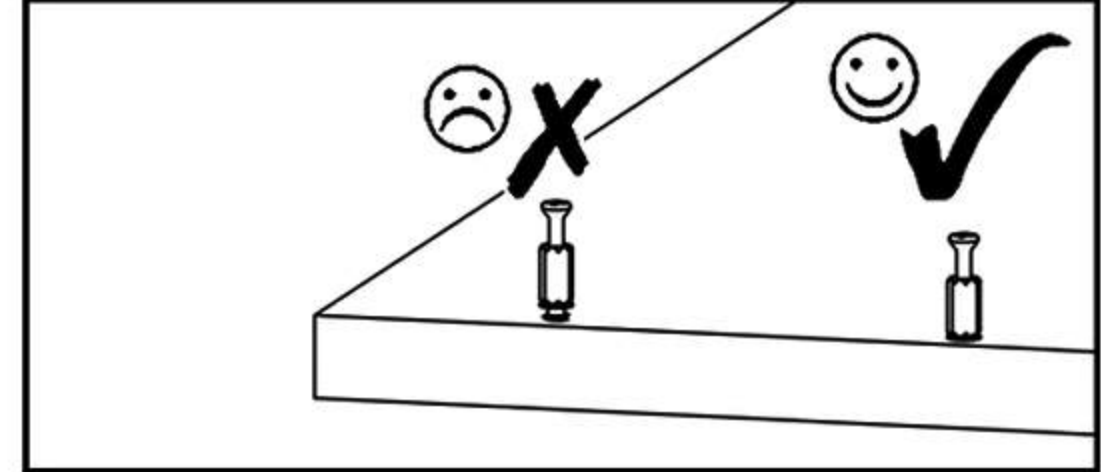
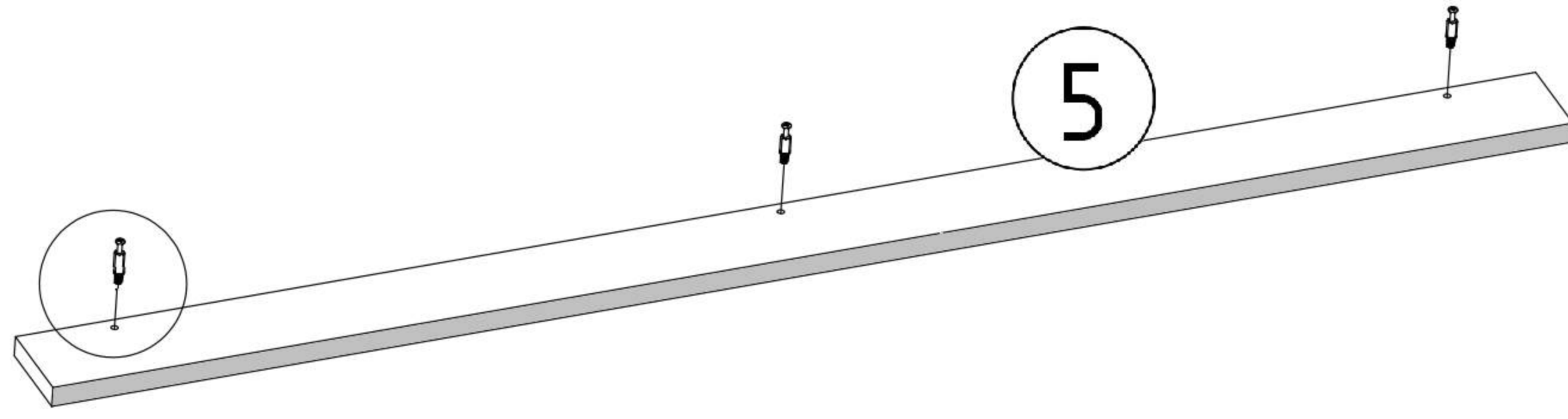
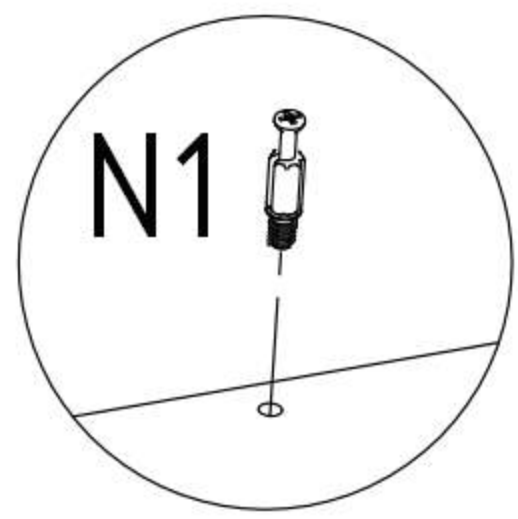
M1  12x15mm x9	E1  8x30mm x4	K12  x1	K11  x4	S1  3,5x16mm x4
--	---	---	---	---

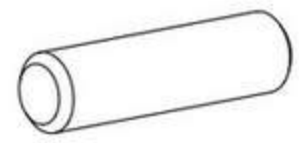




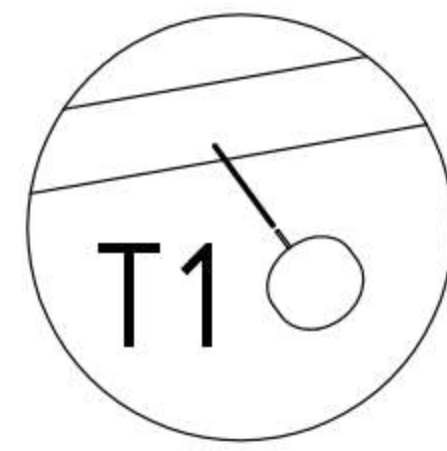
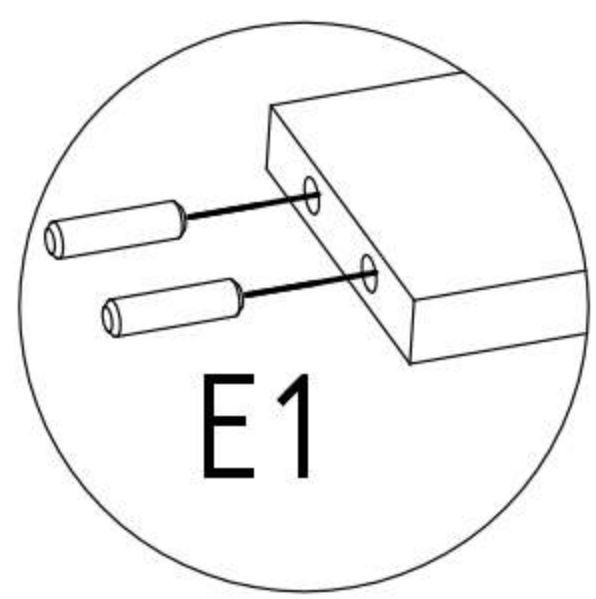
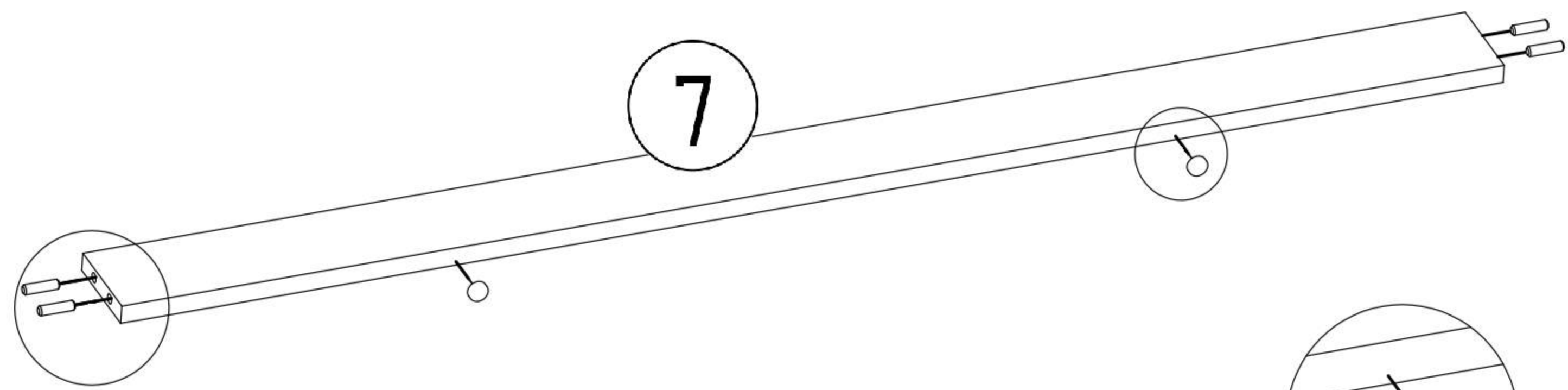
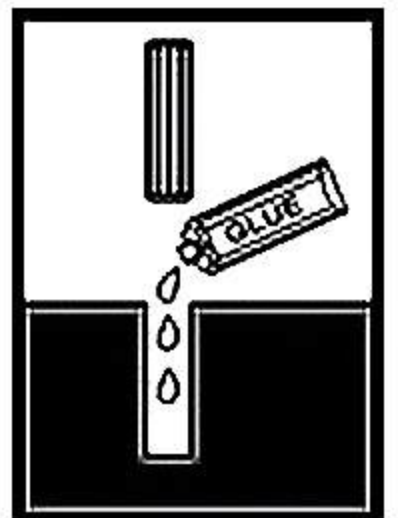
N1

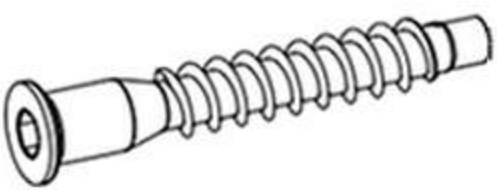
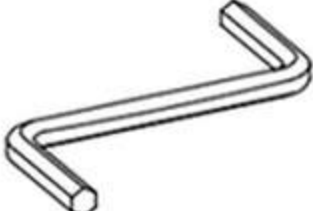


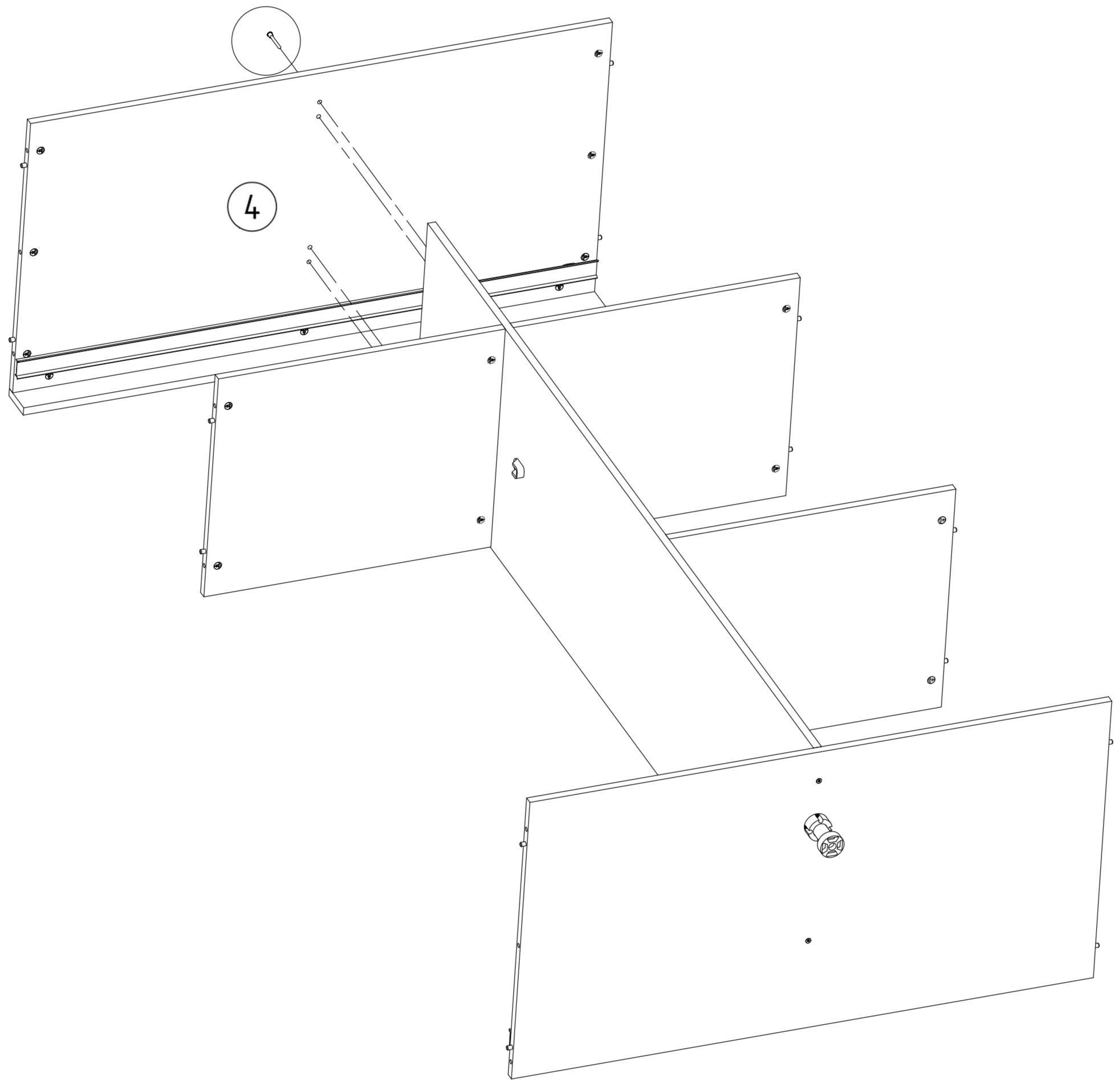
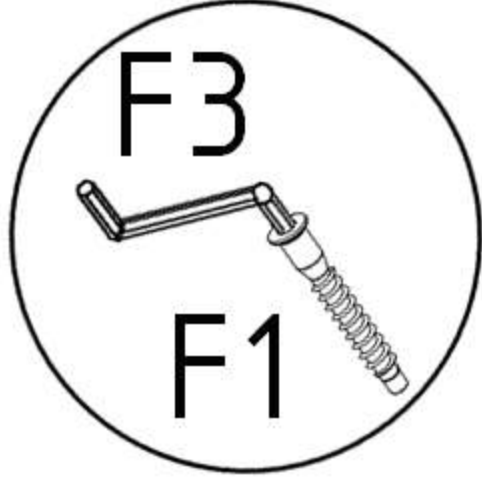
L=35mm **x3**




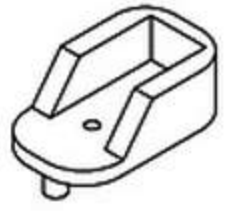


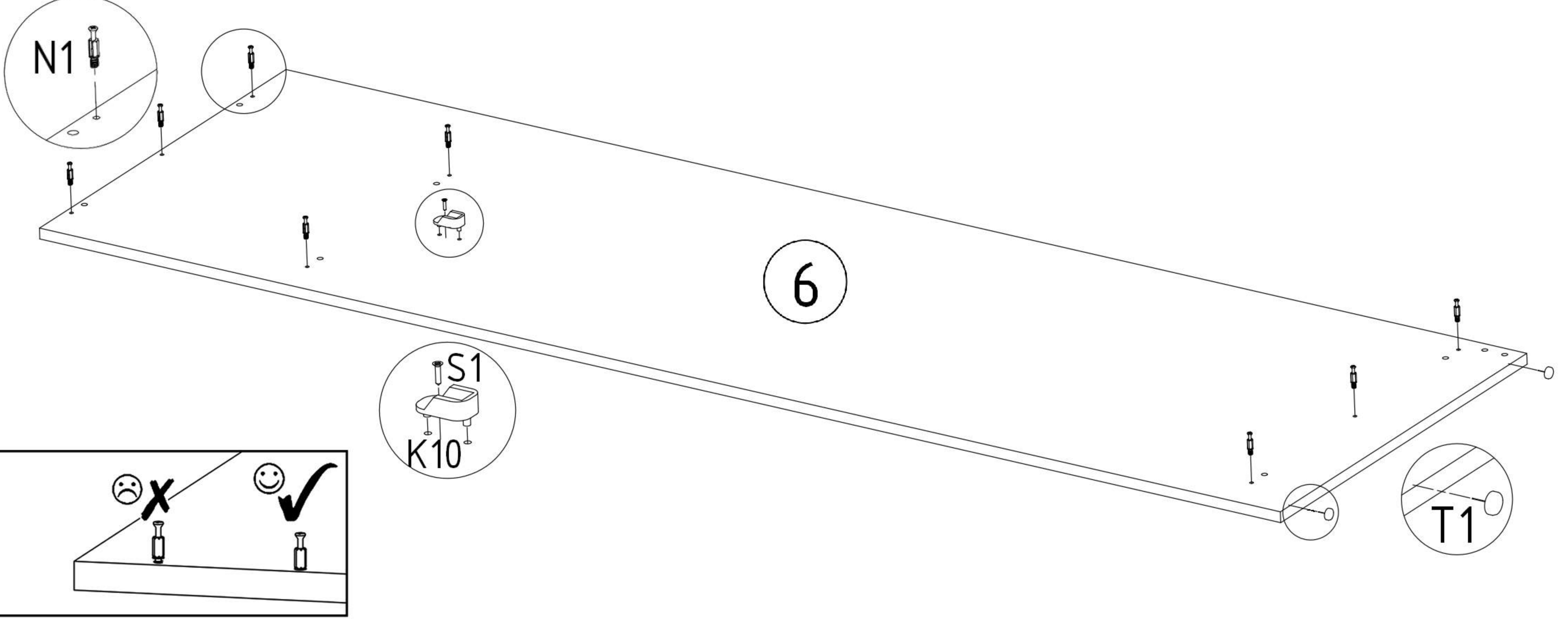
E1	T1	K1
		
8x30mm x4	x2	




F1  7x50mm x2	F3  x1
---	---



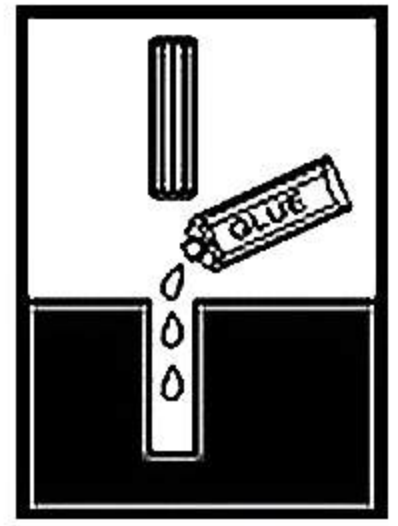
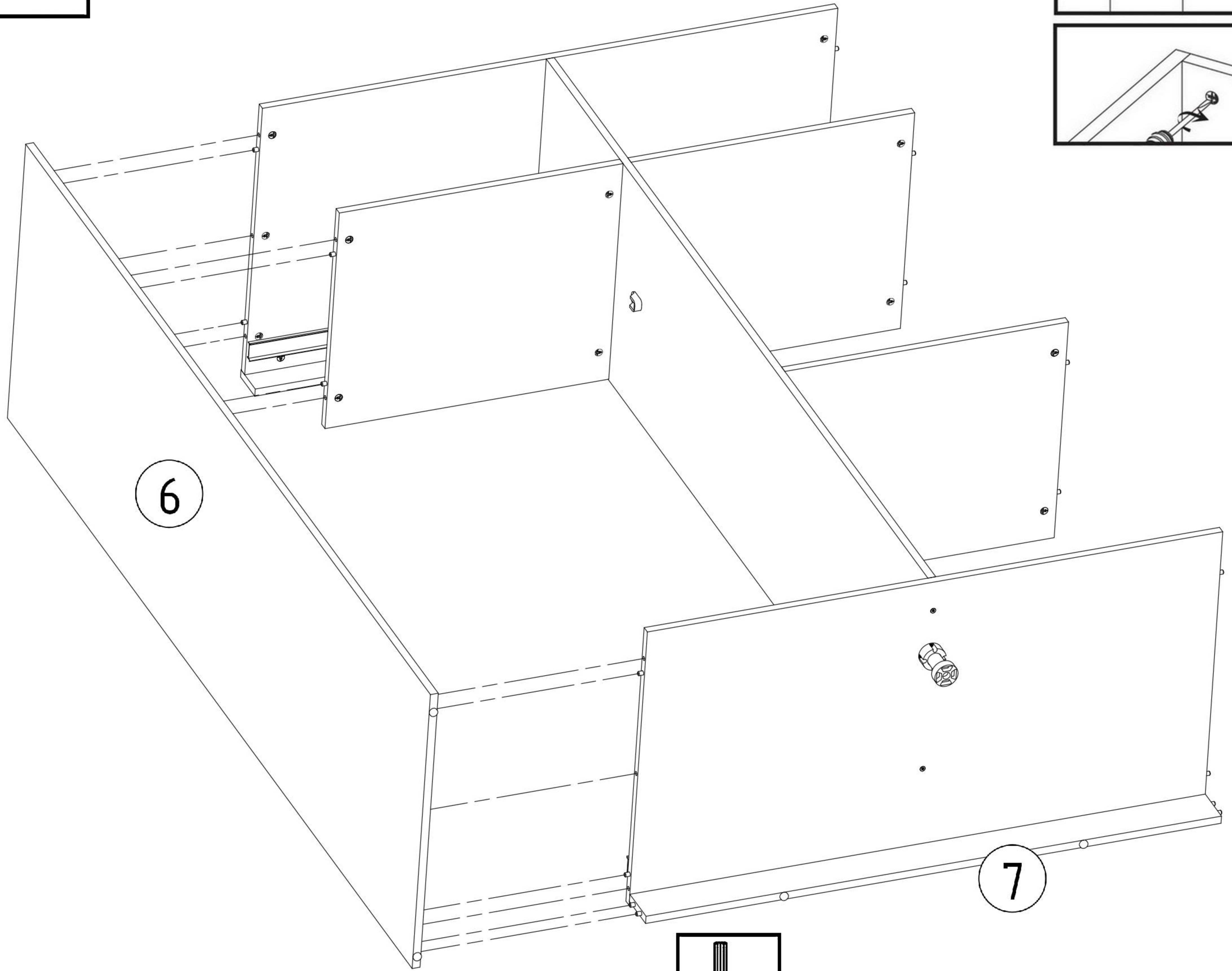
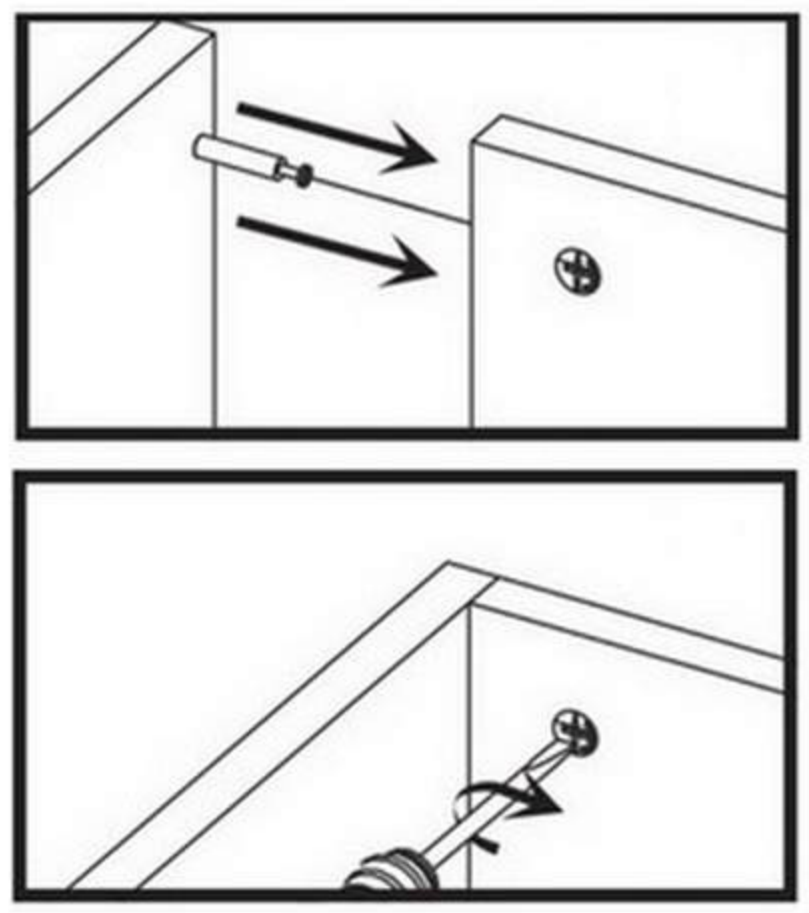
N1  L=35mm x8	T1  x2	S1  3,5x16mm x1	K10  x1
--	--	---	---


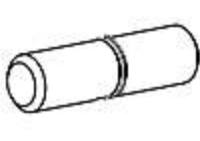



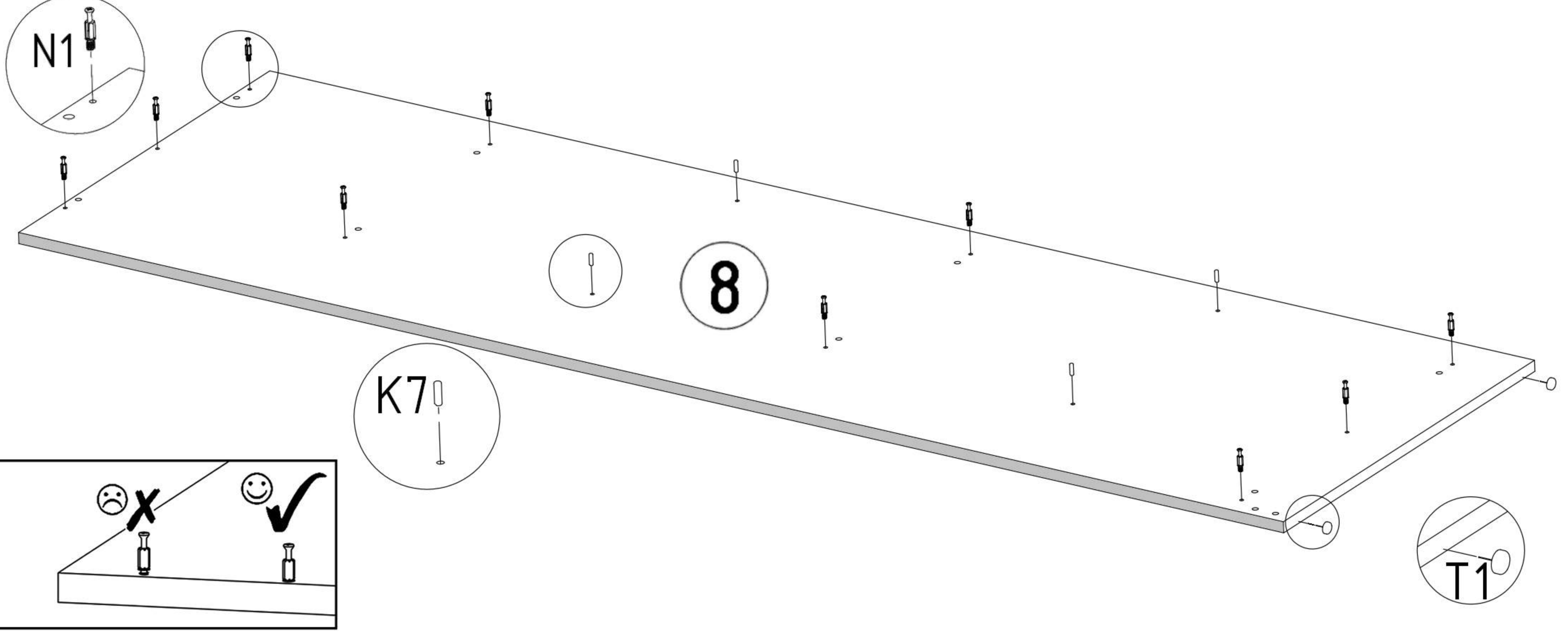
K1




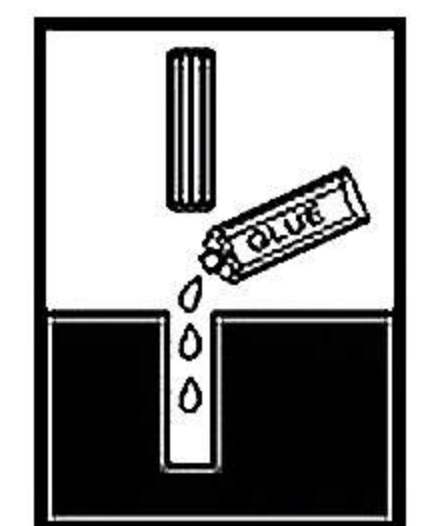
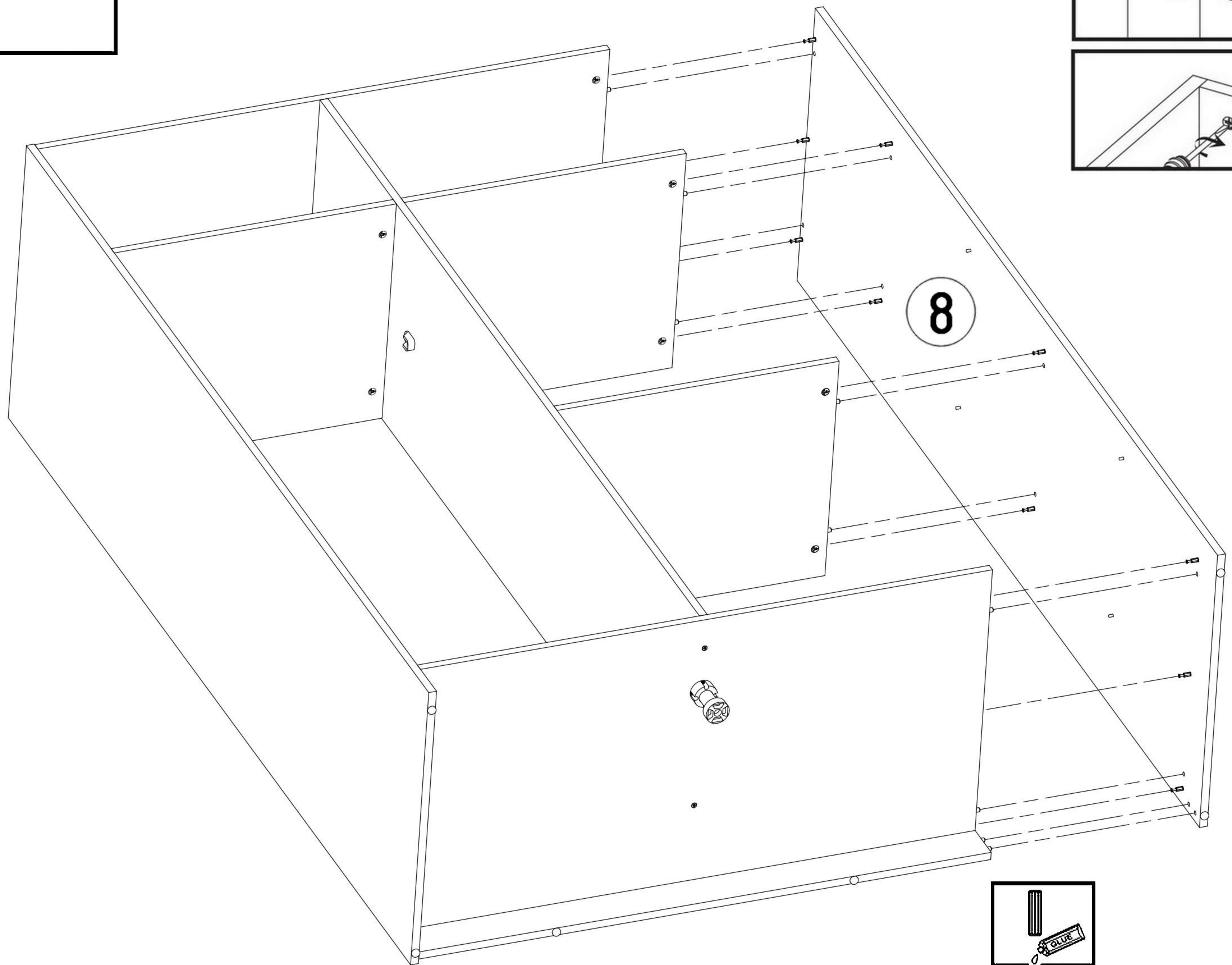
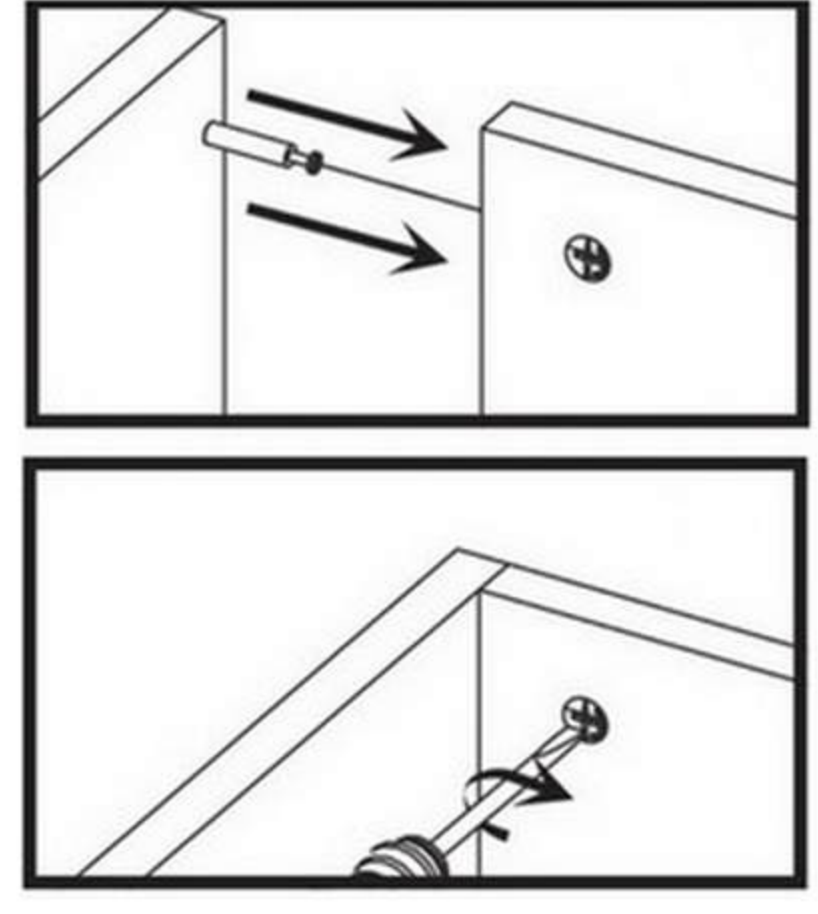
GLUE








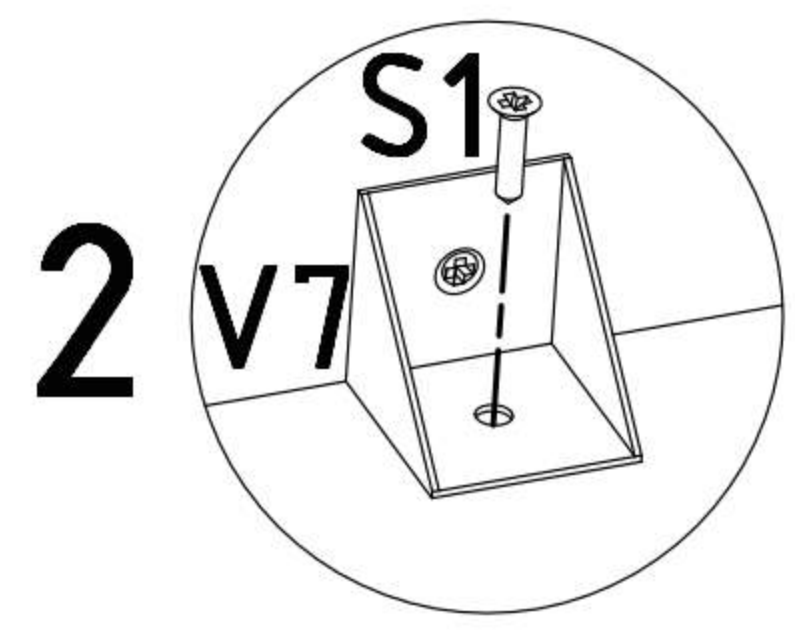
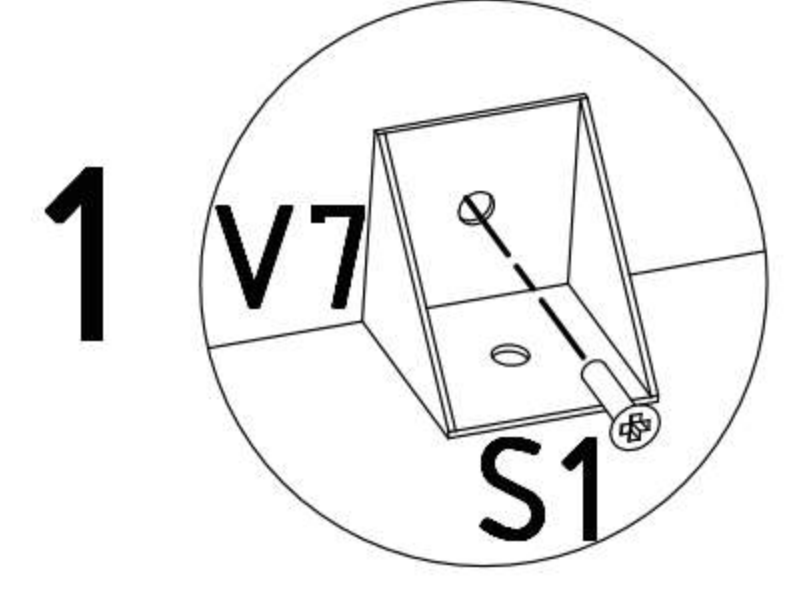
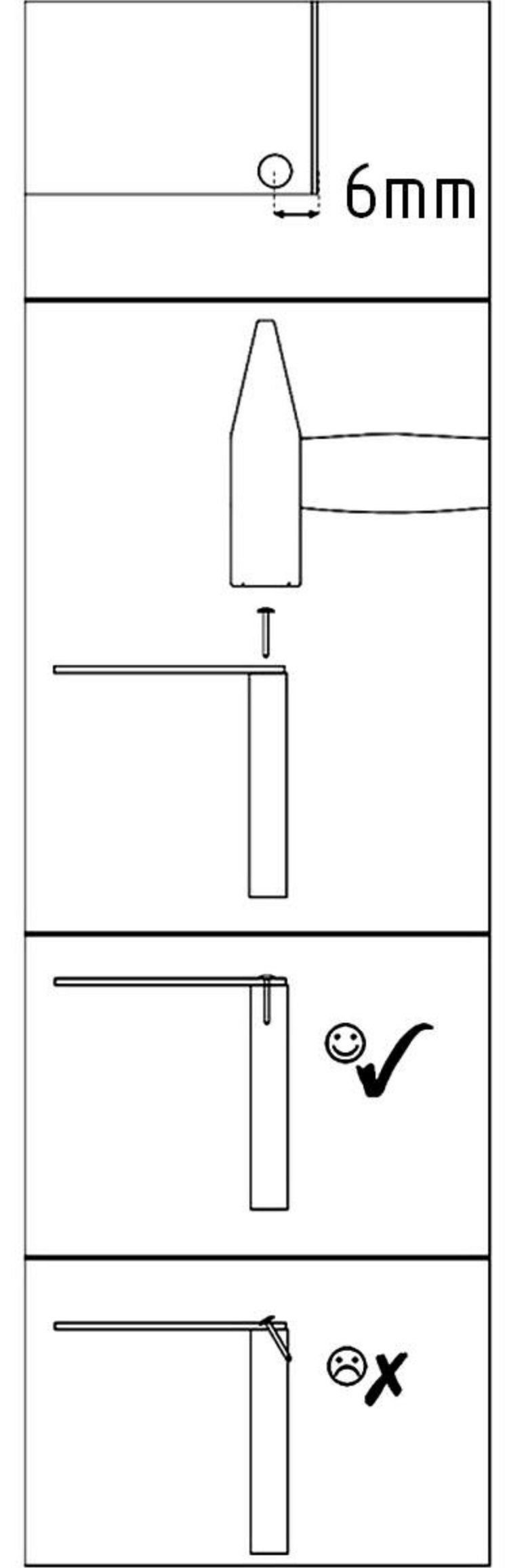
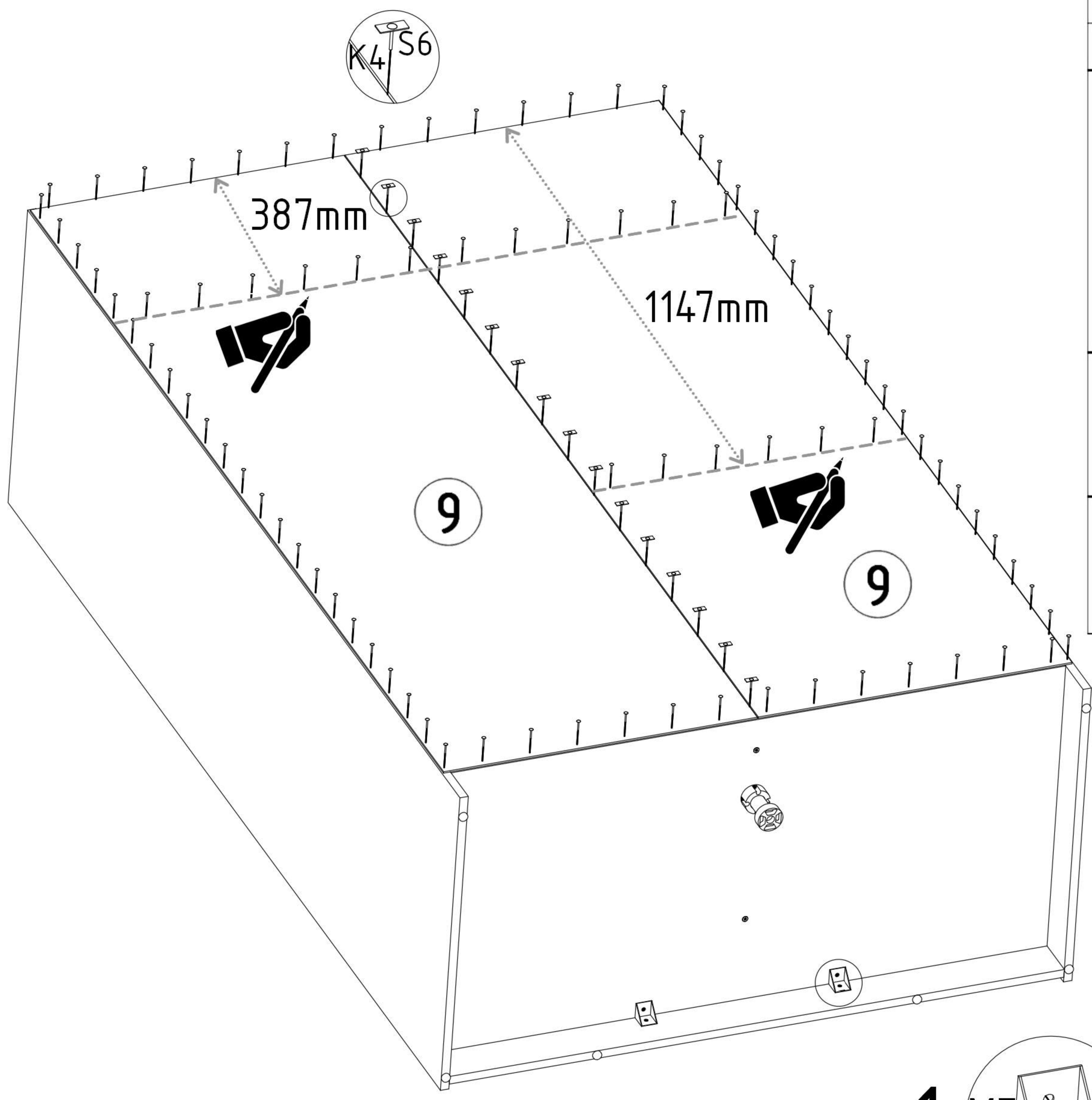
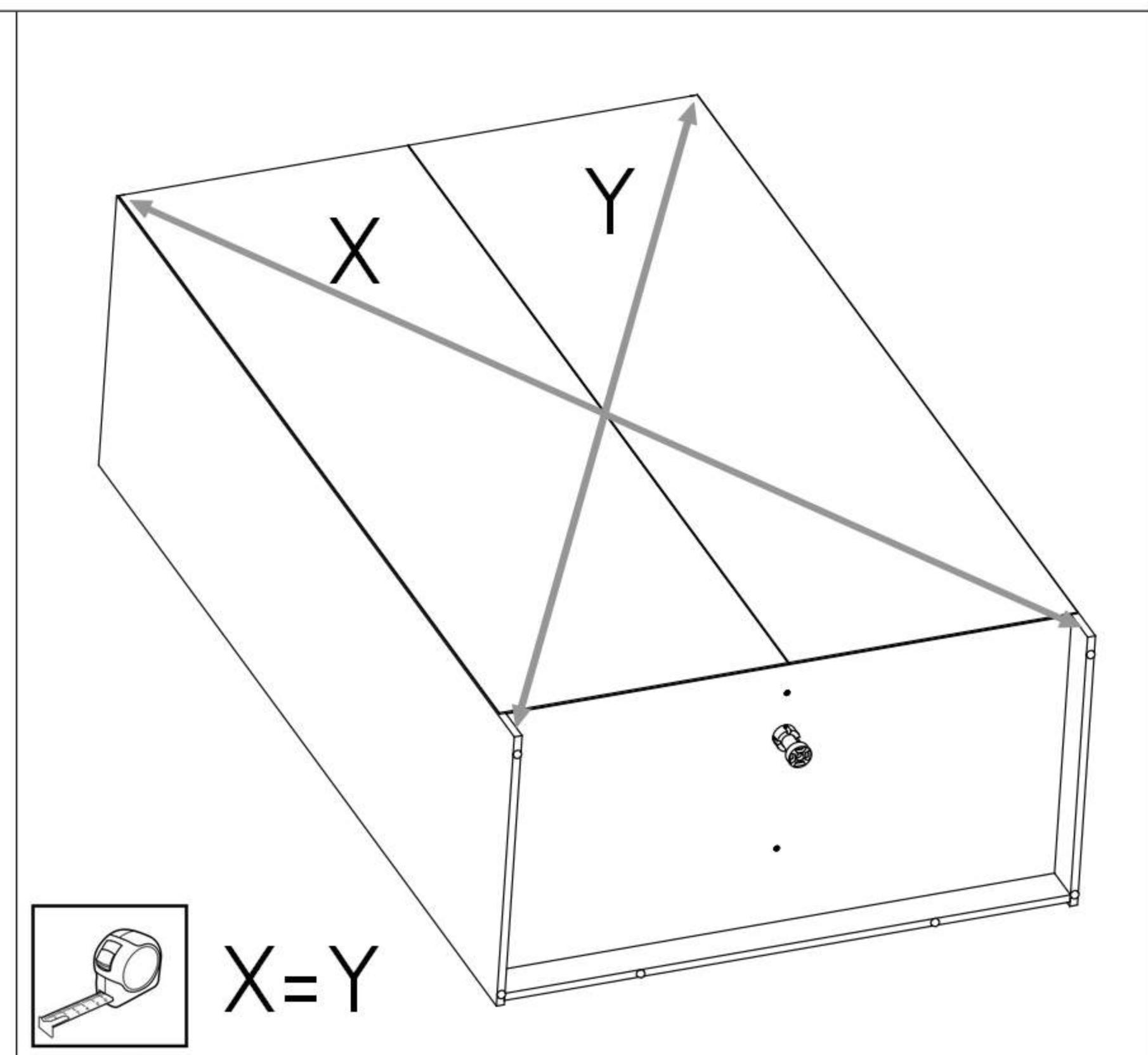
N1  L=35mm x10	K7  5x16mm x4	T1  x2
--	--	---



K1 

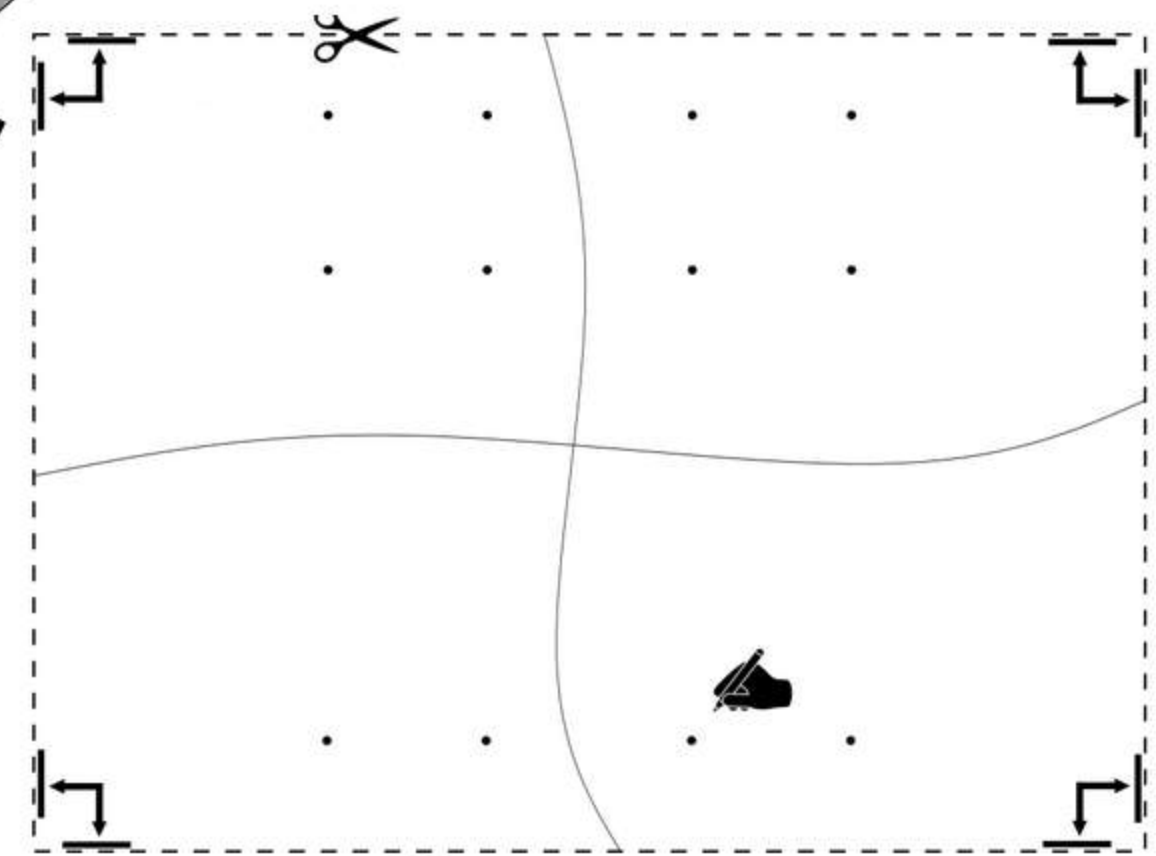


K4  x16	S1  x16 3,5x16mm	S6  x4 2,5x20	Z1  x150	V7  x2
--	---	--	---	---



DÓŁ DRZWI / BOTTOM DOOR

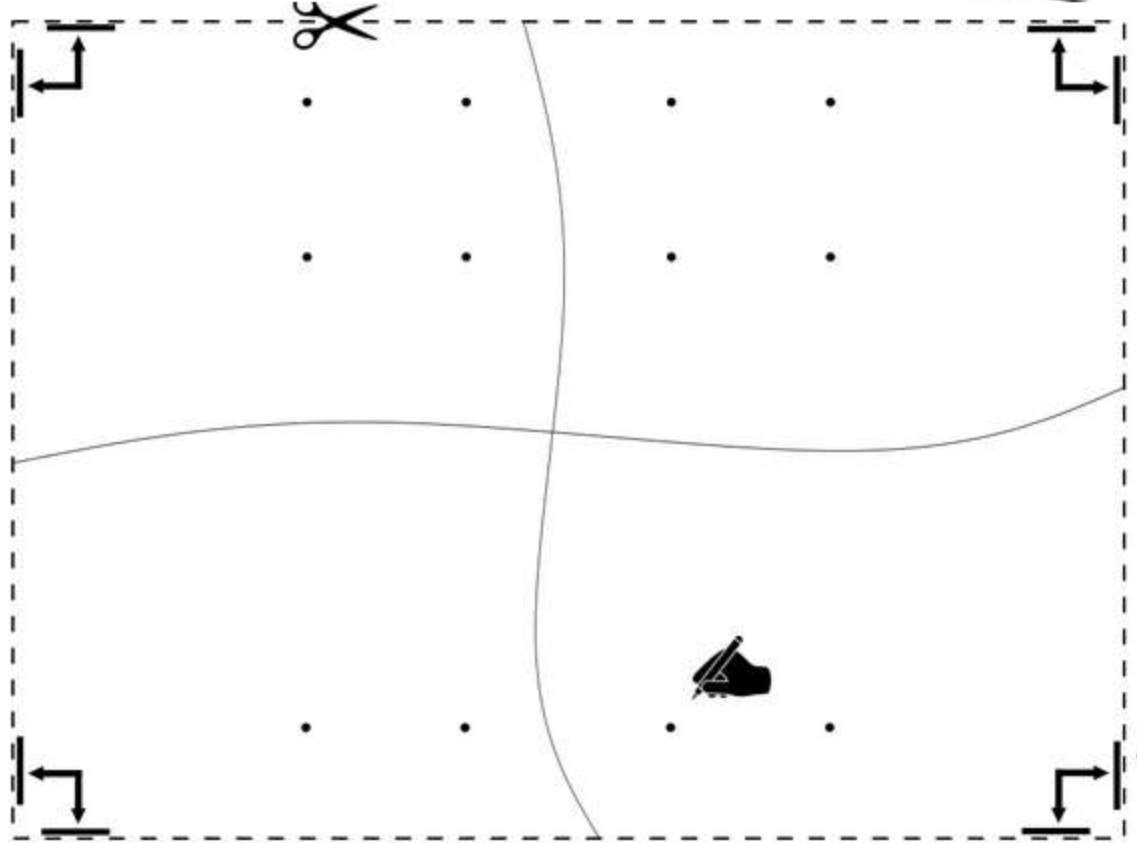
11



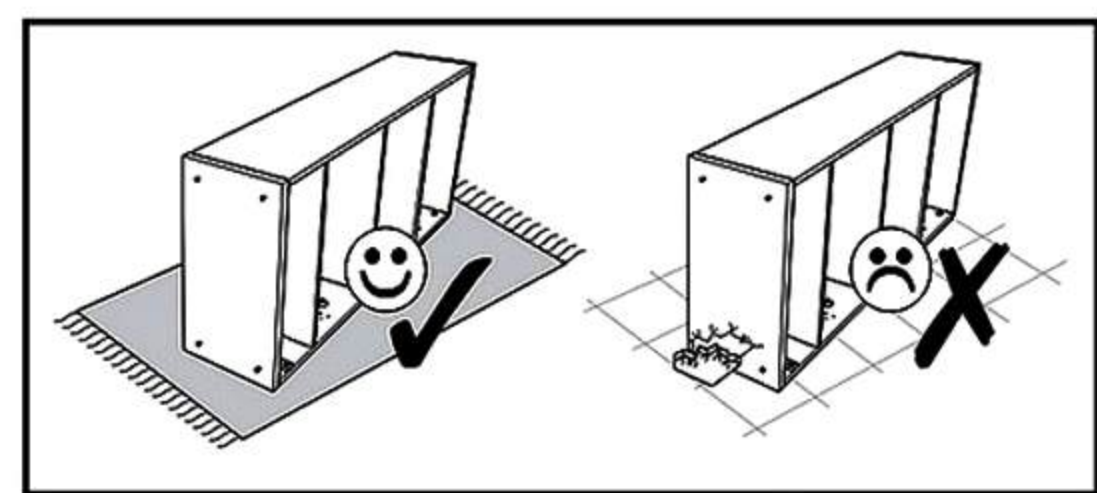
GÓRA DRZWI / TOP DOOR

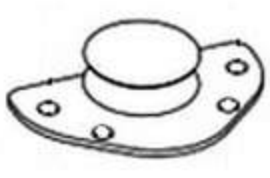

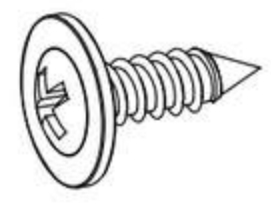
10

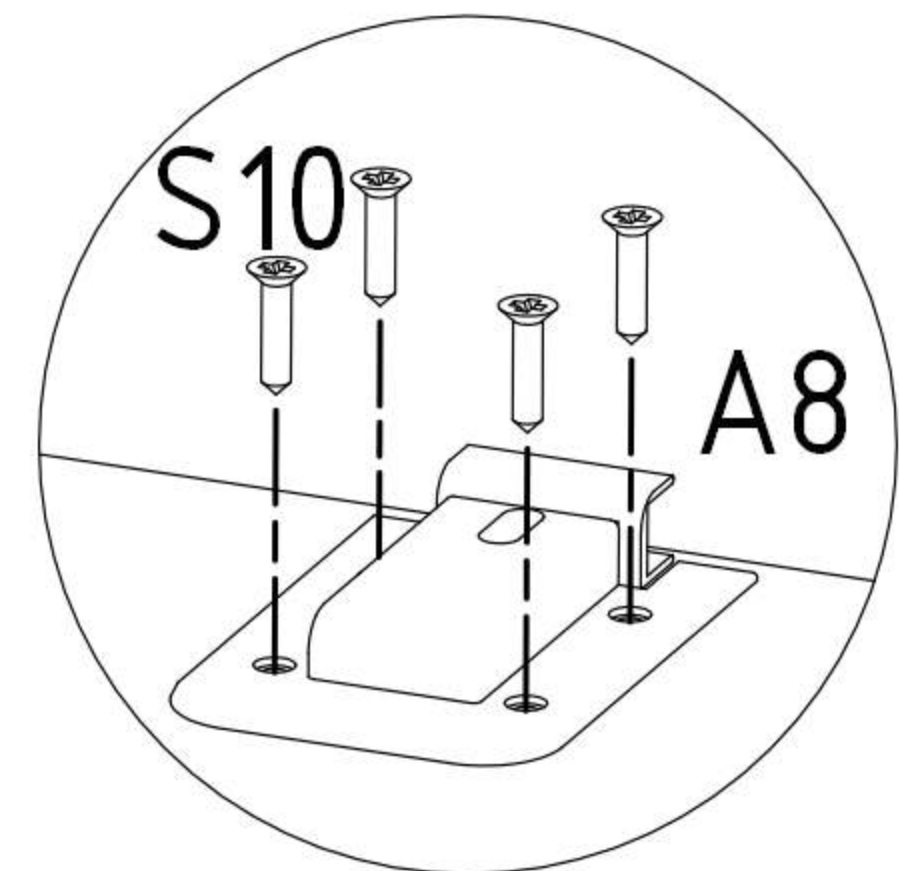
GÓRA DRZWI / TOP DOOR



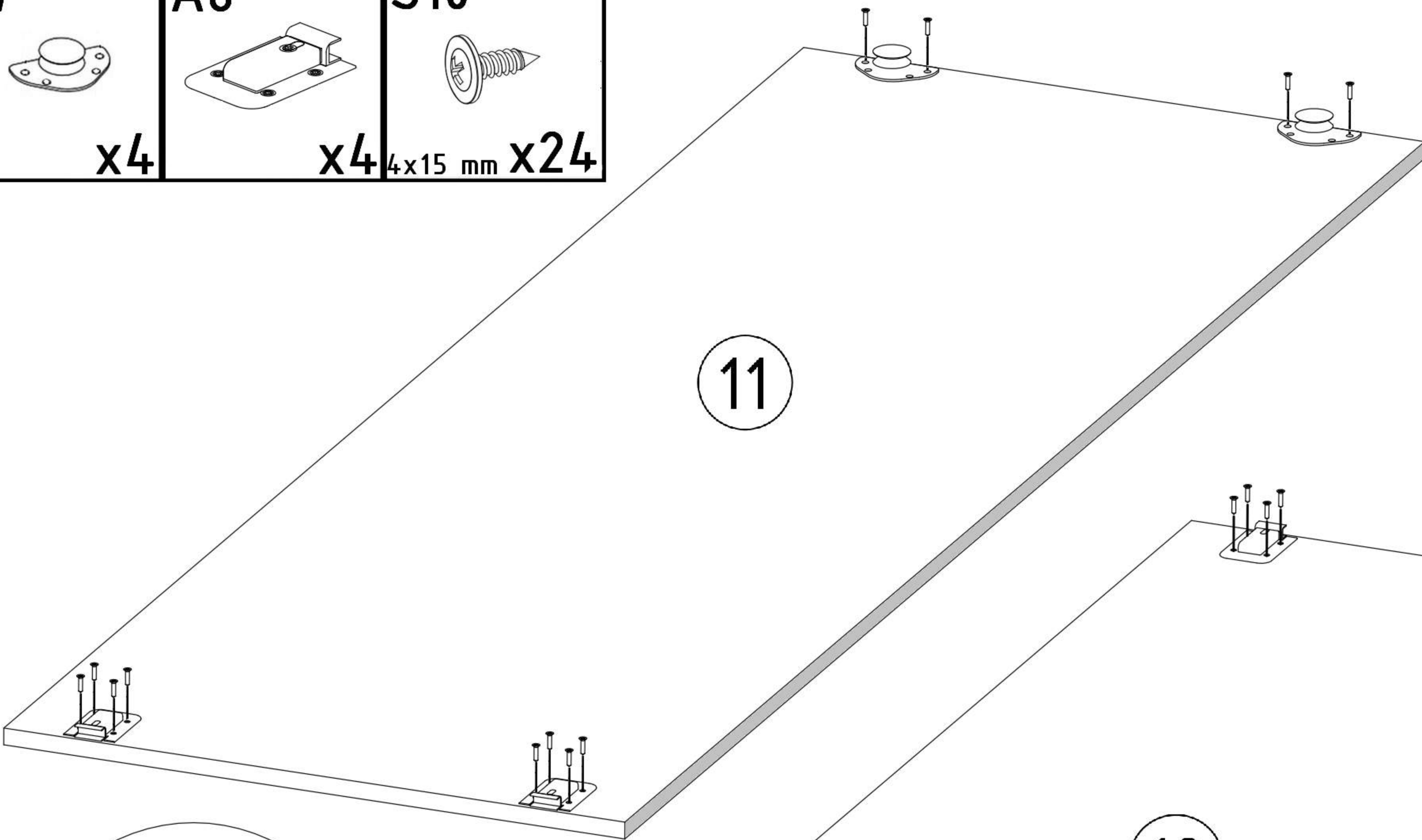
DÓŁ DRZWI / BOTTOM DOOR



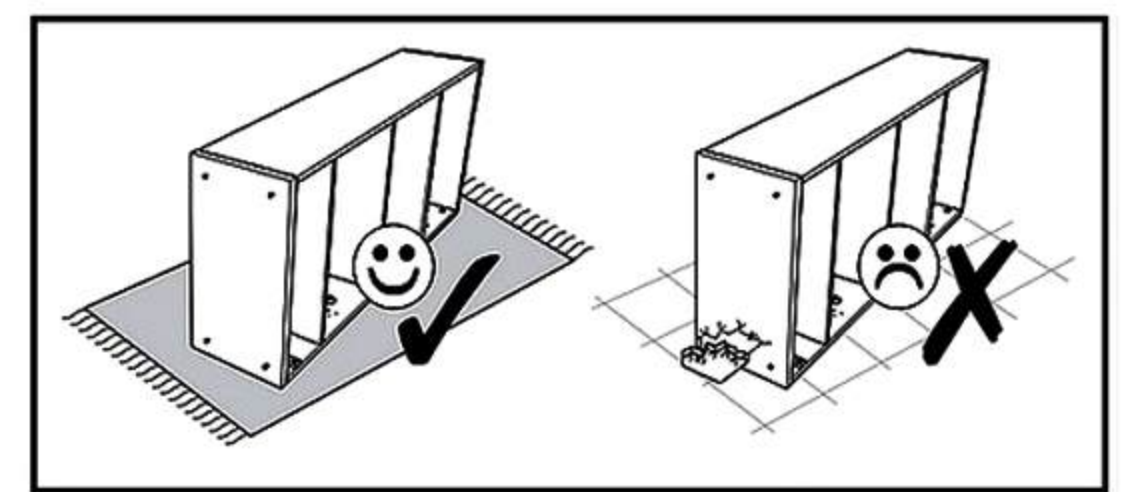
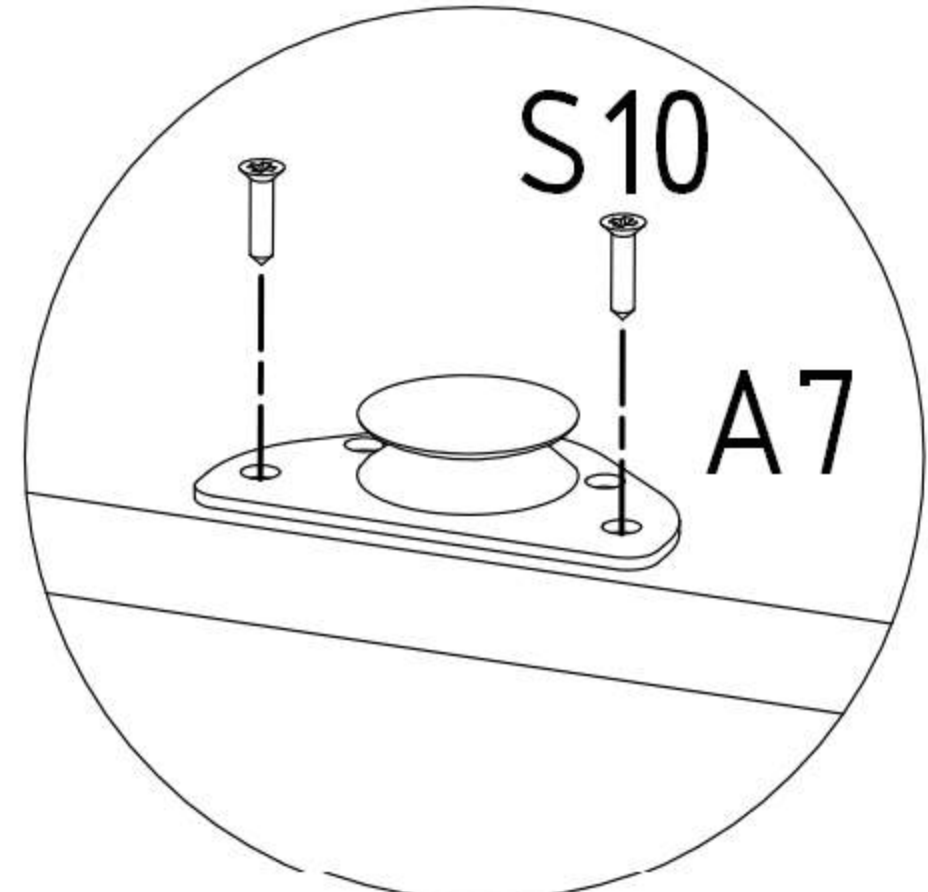
<p>A7</p>  <p>x4</p>	<p>A8</p>  <p>x4</p>	<p>S10</p>  <p>4x15 mm x24</p>
---	---	---

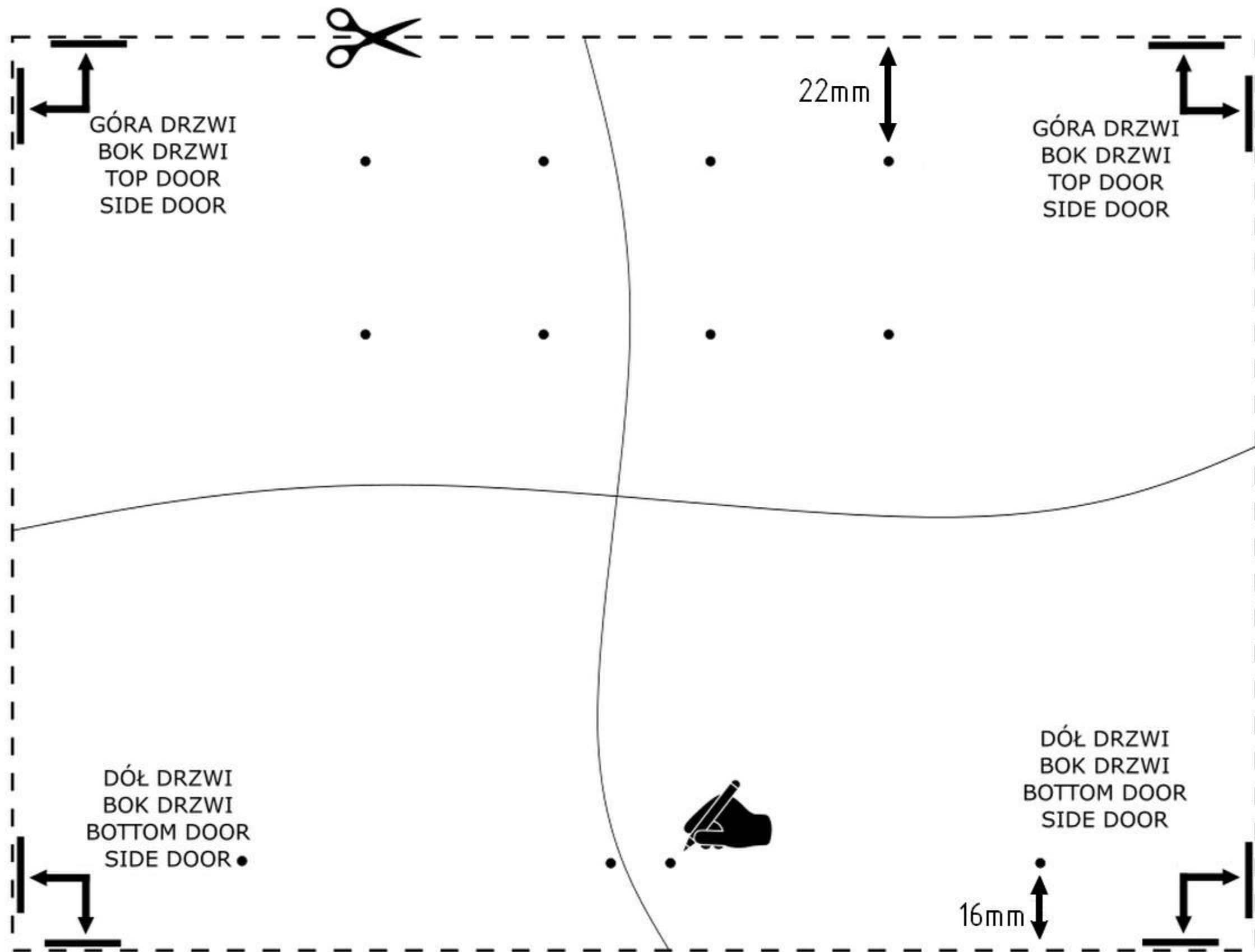


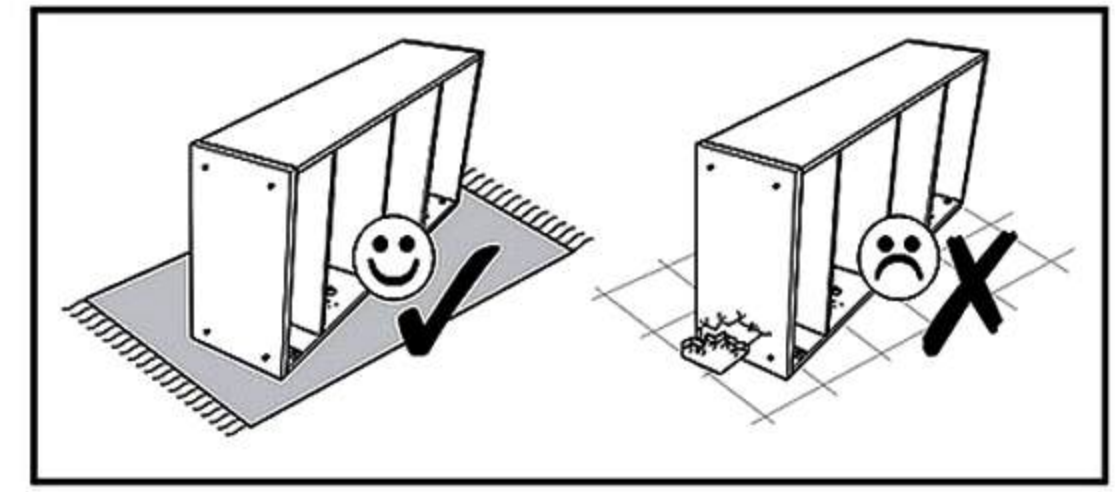
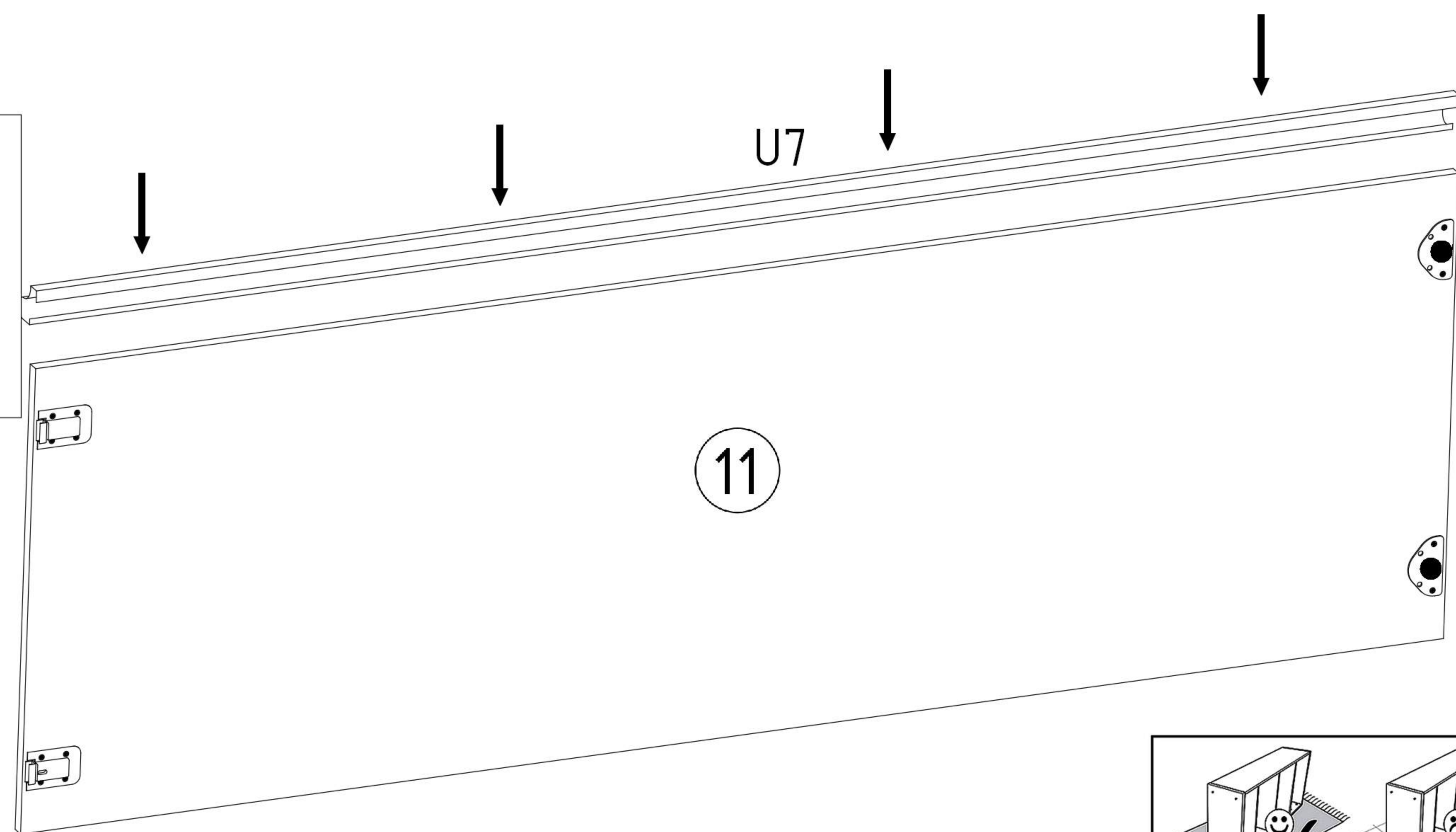
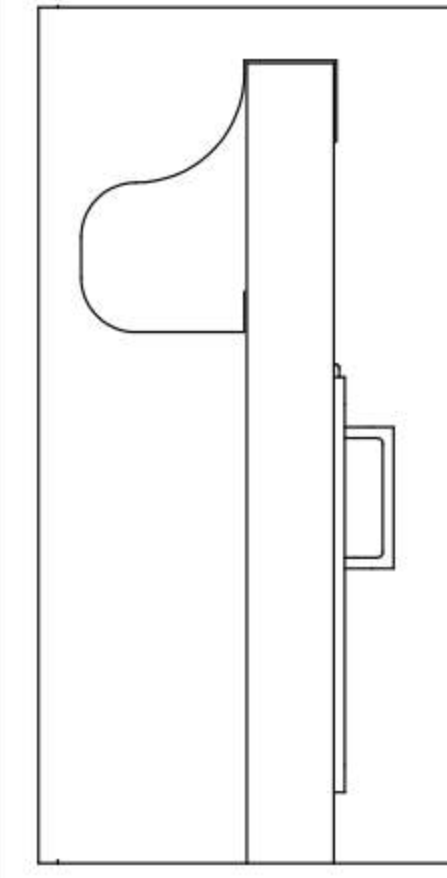
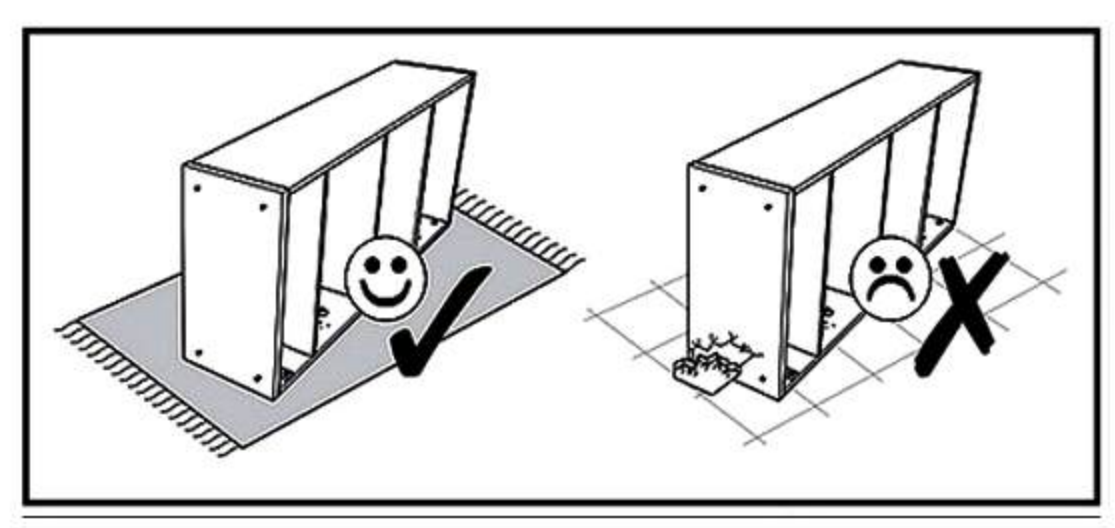
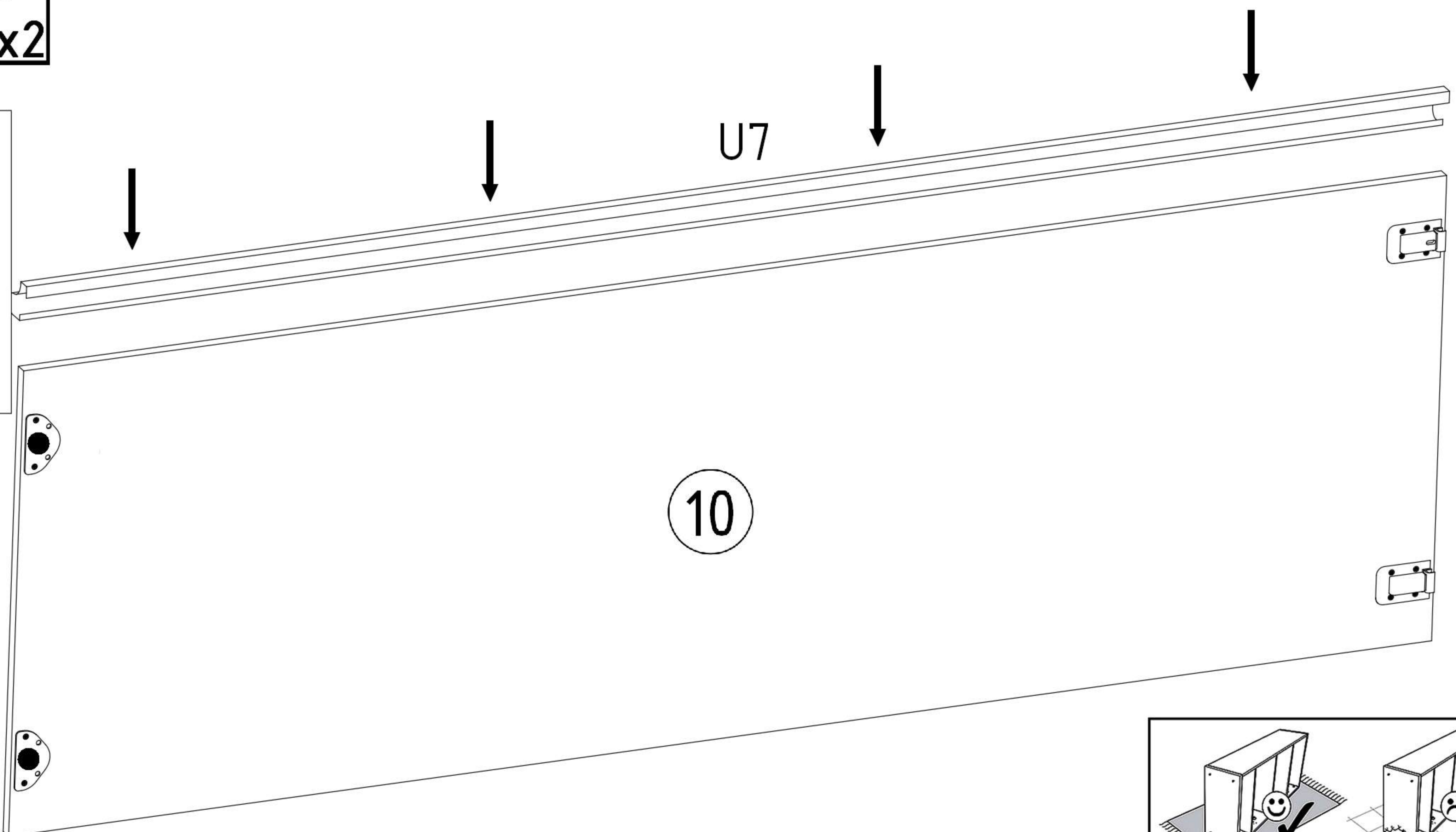
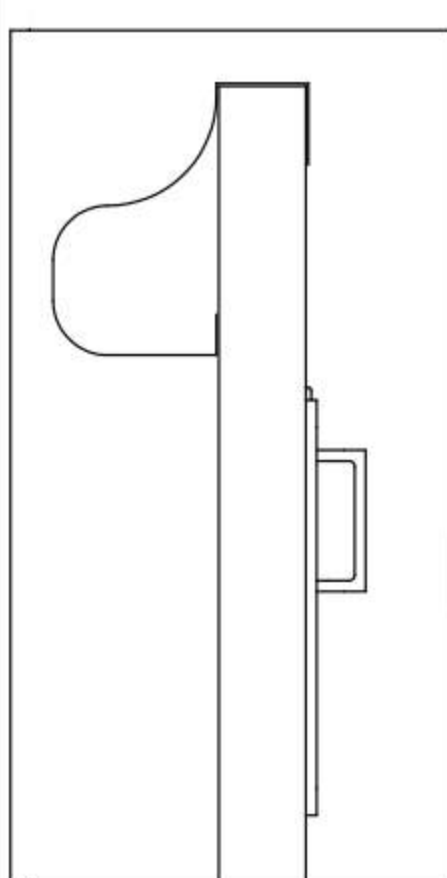
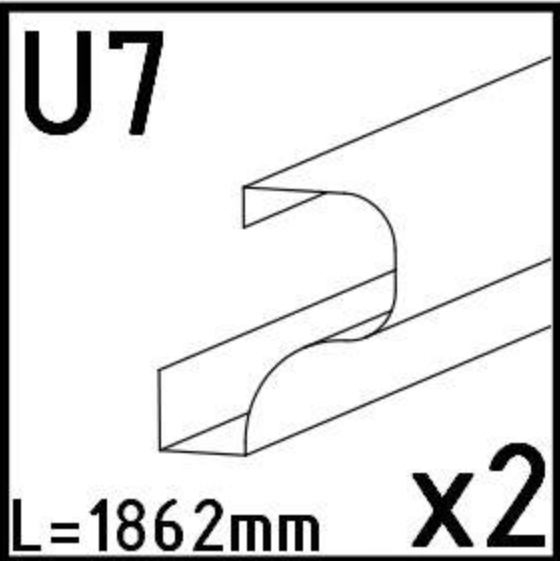
11

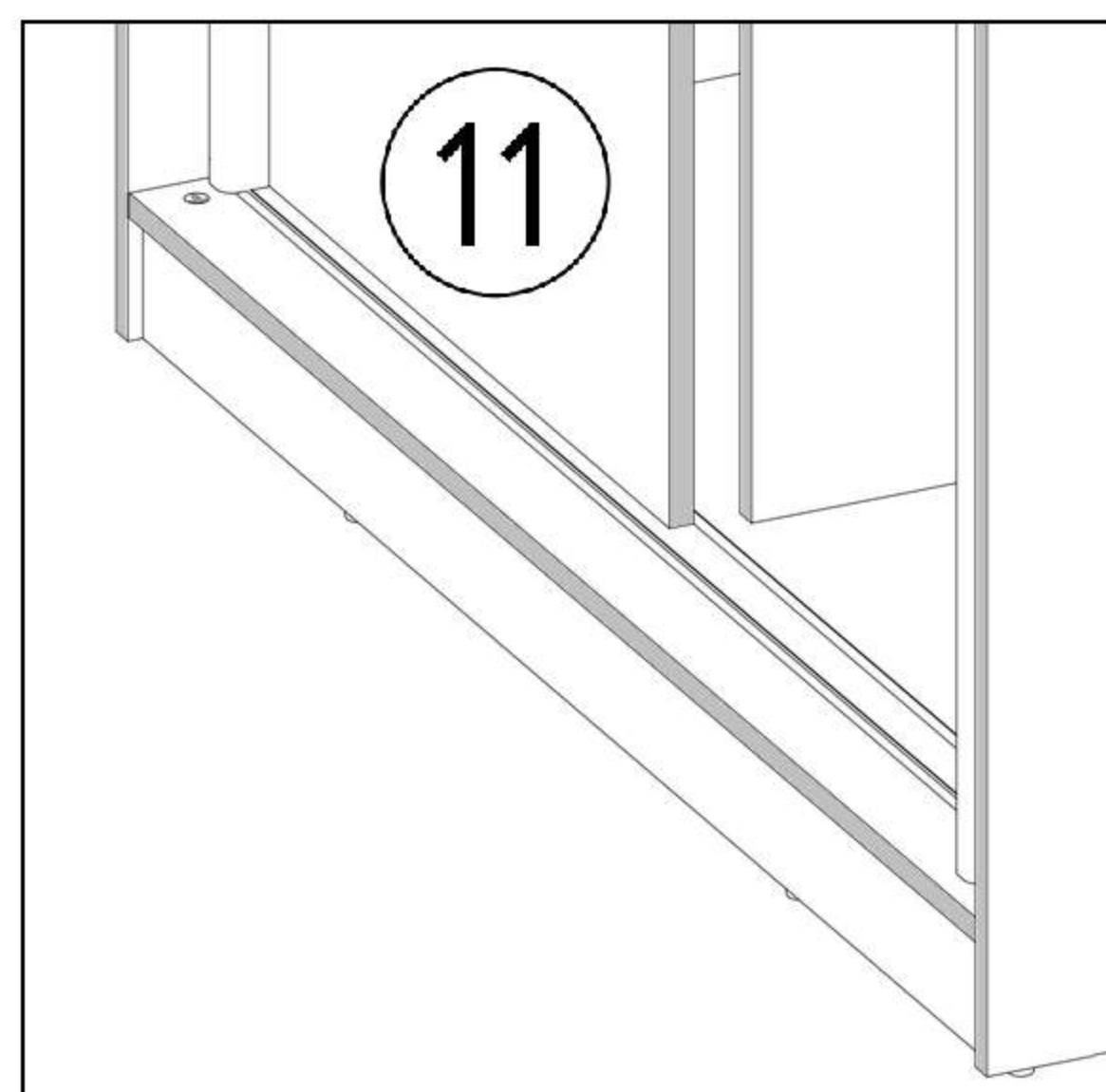
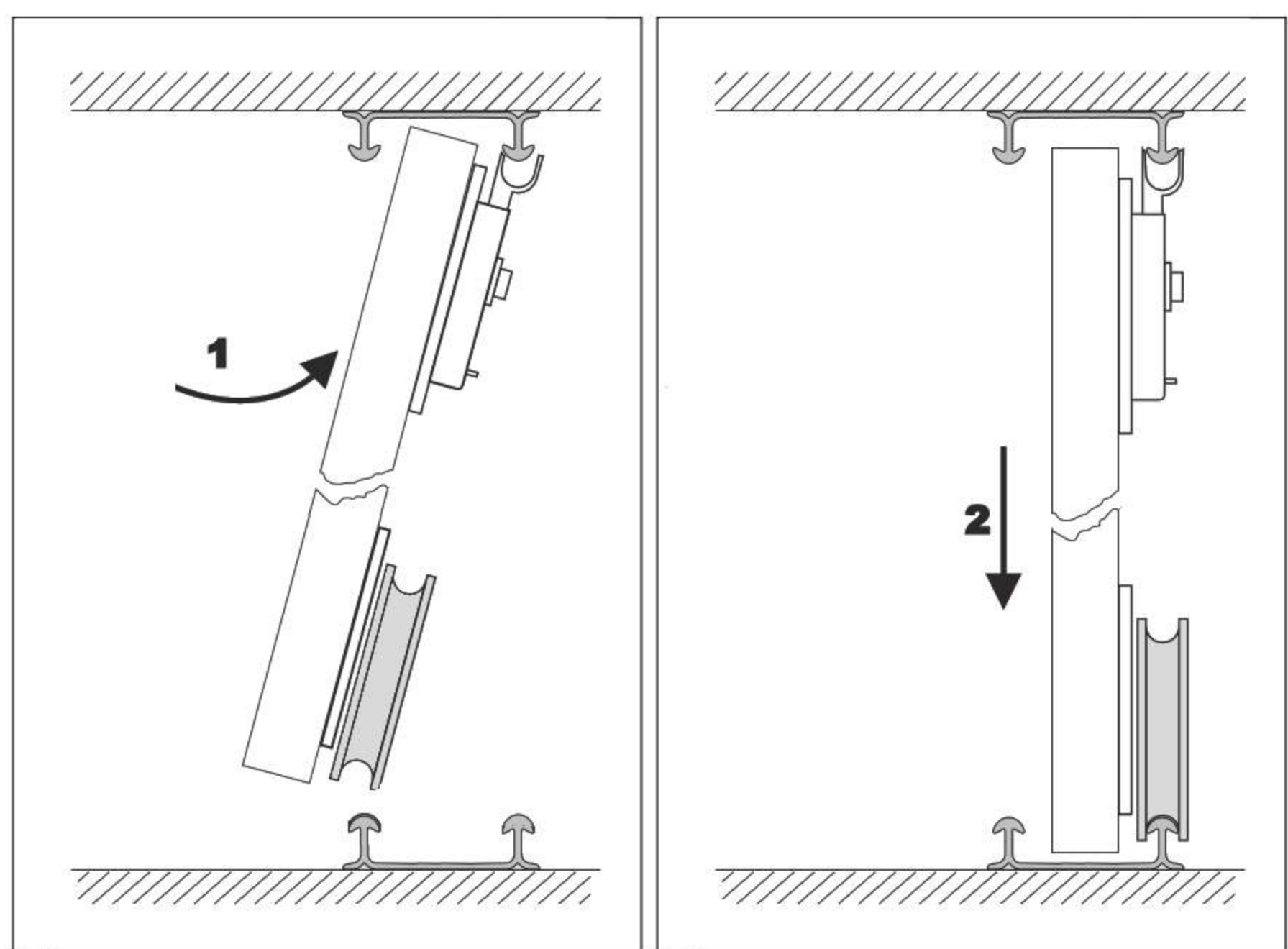
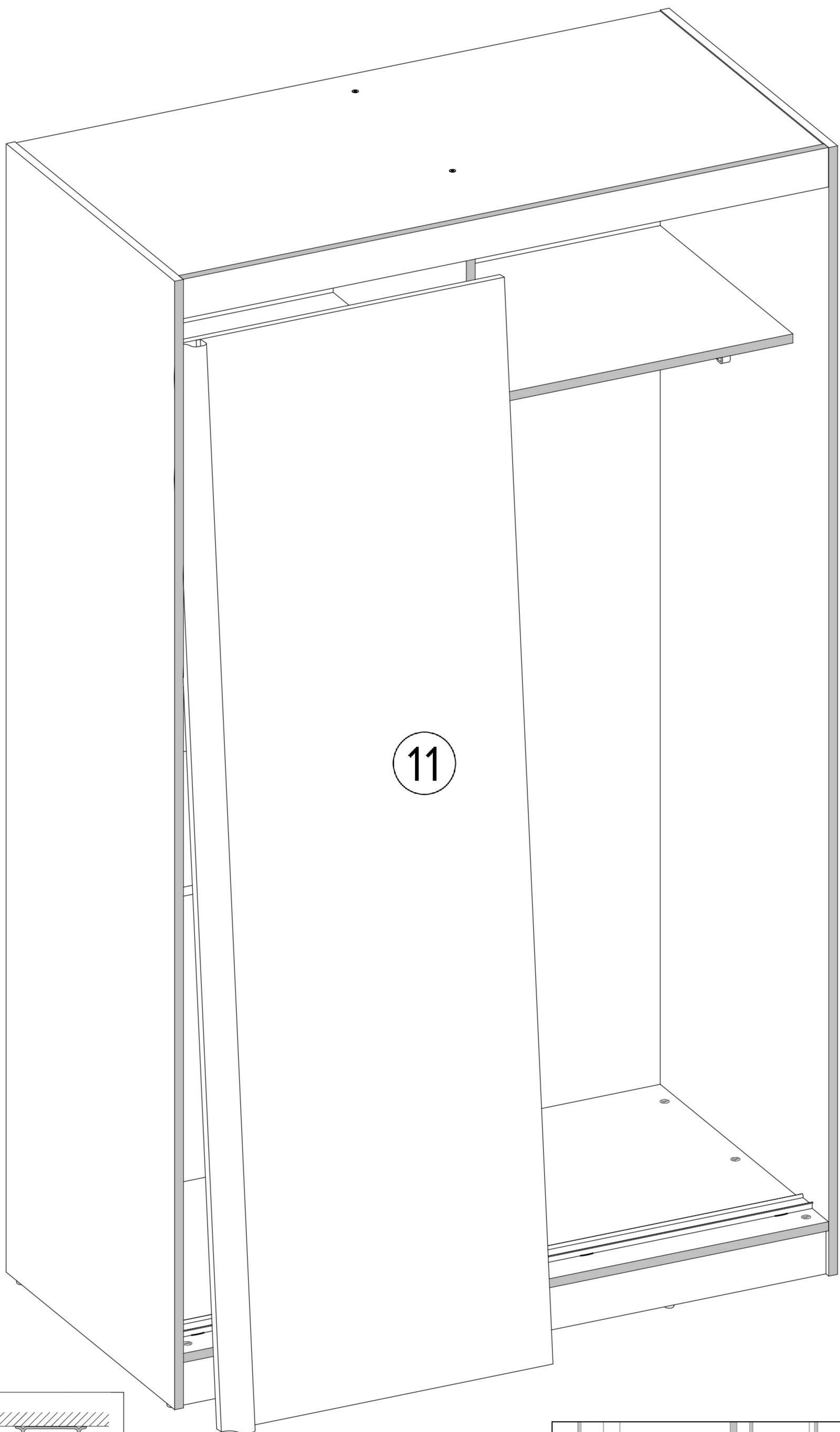
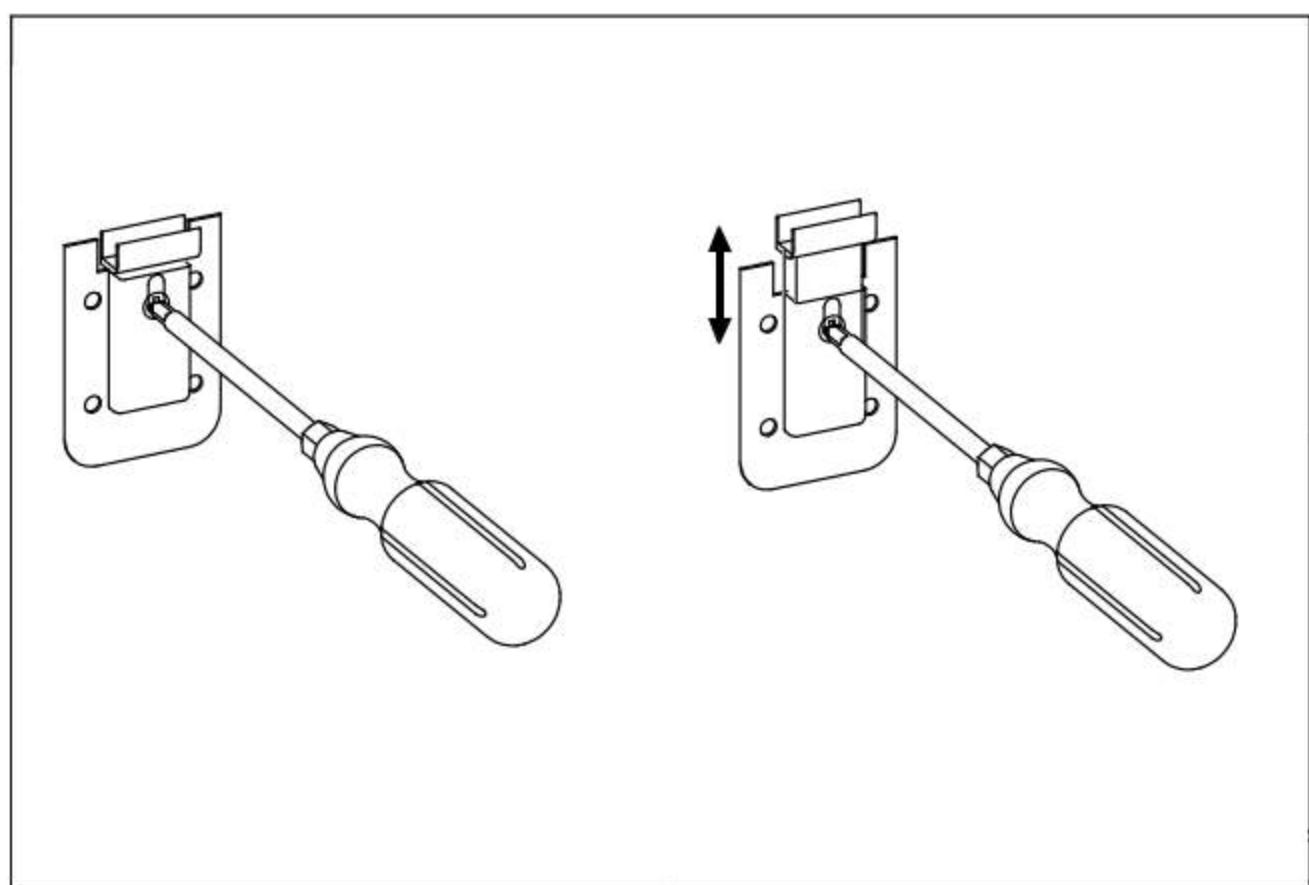


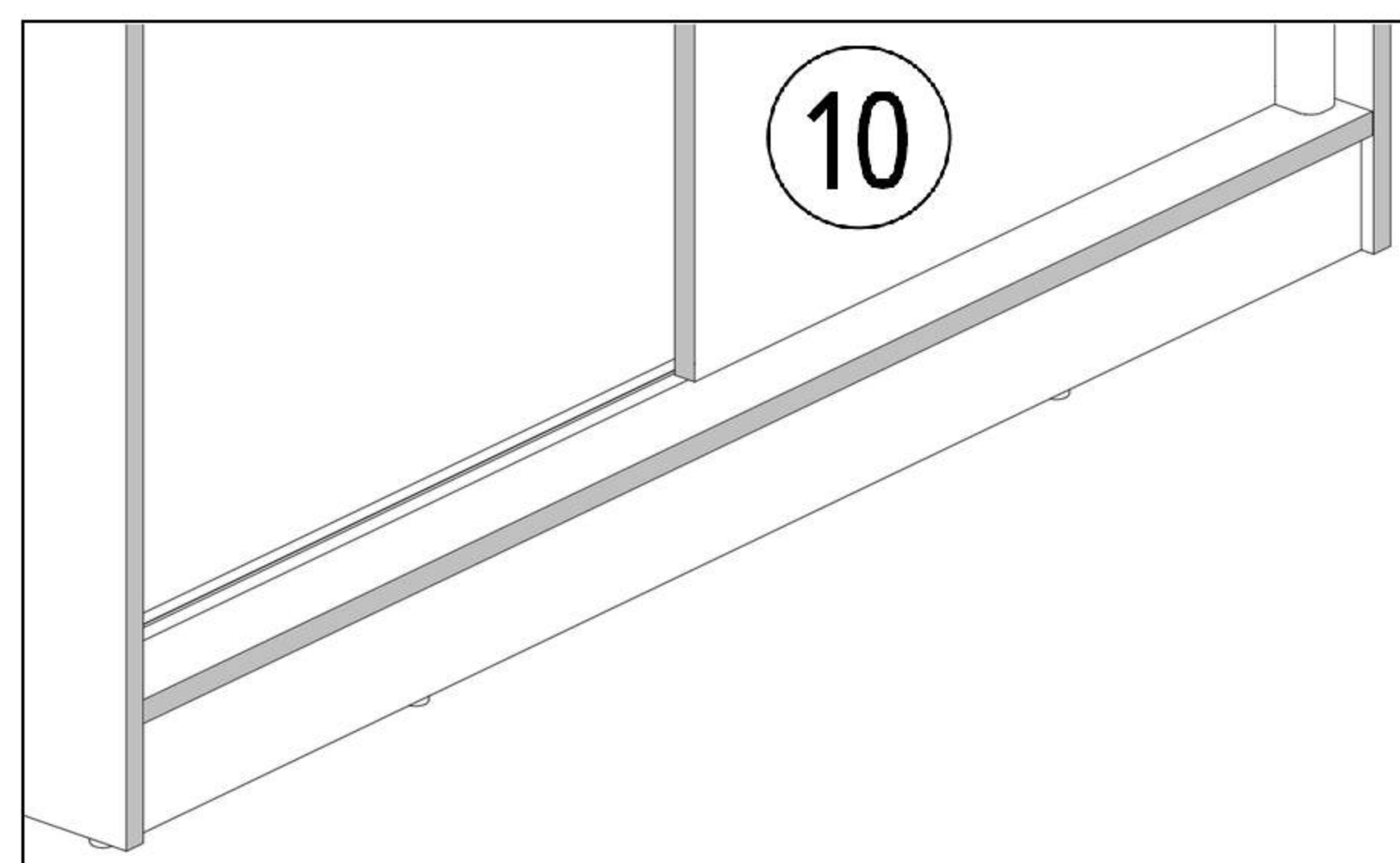
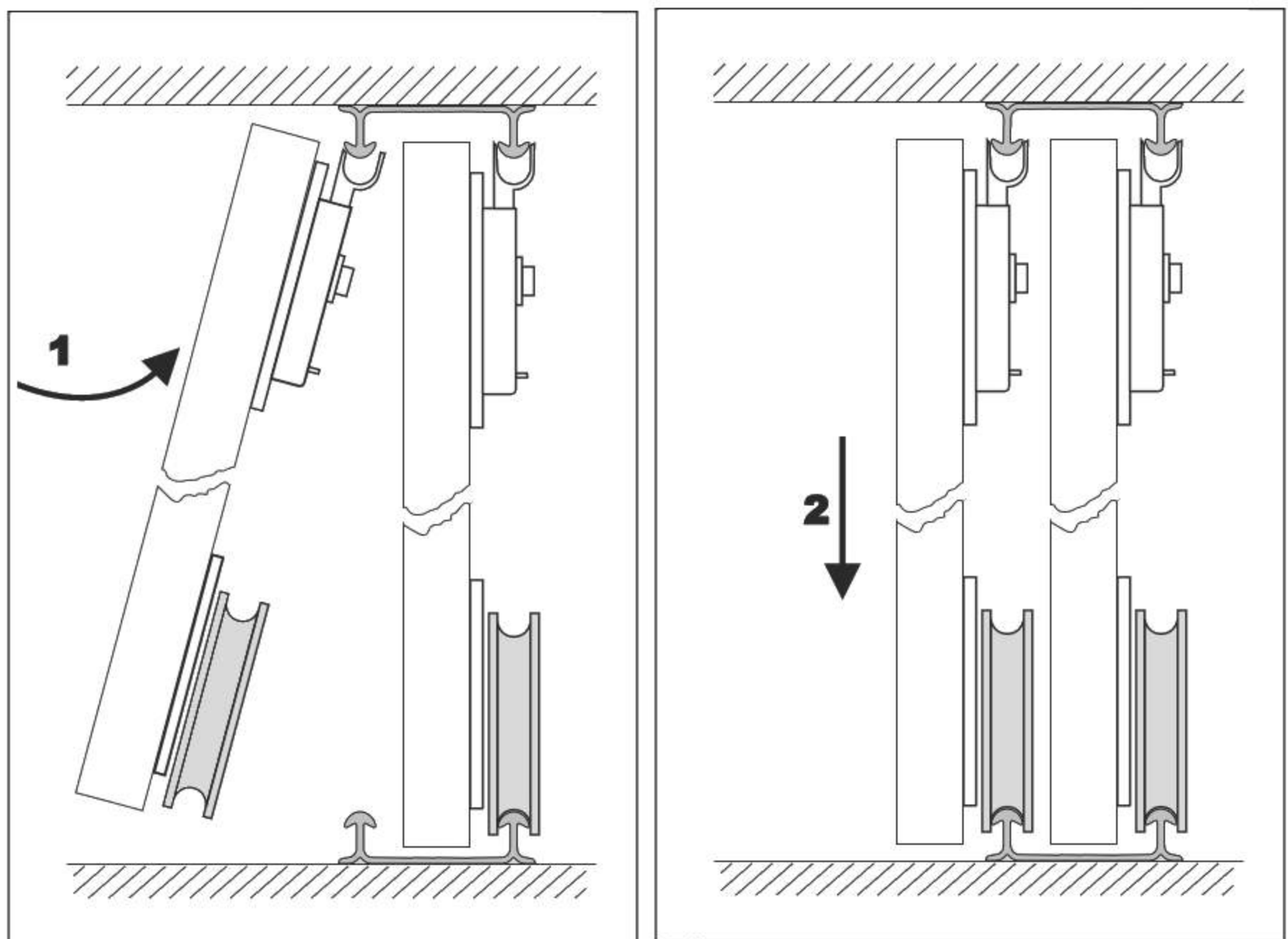
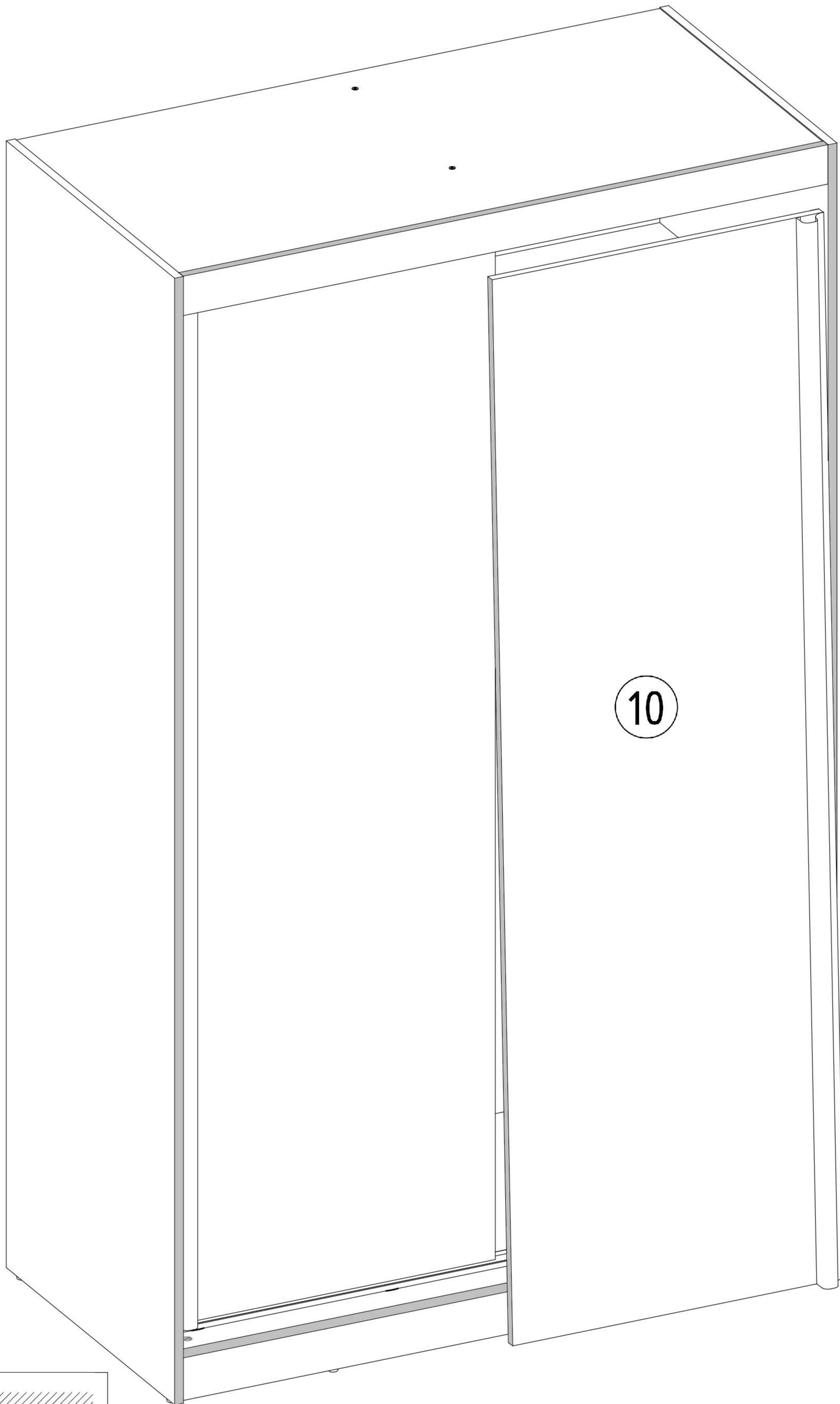
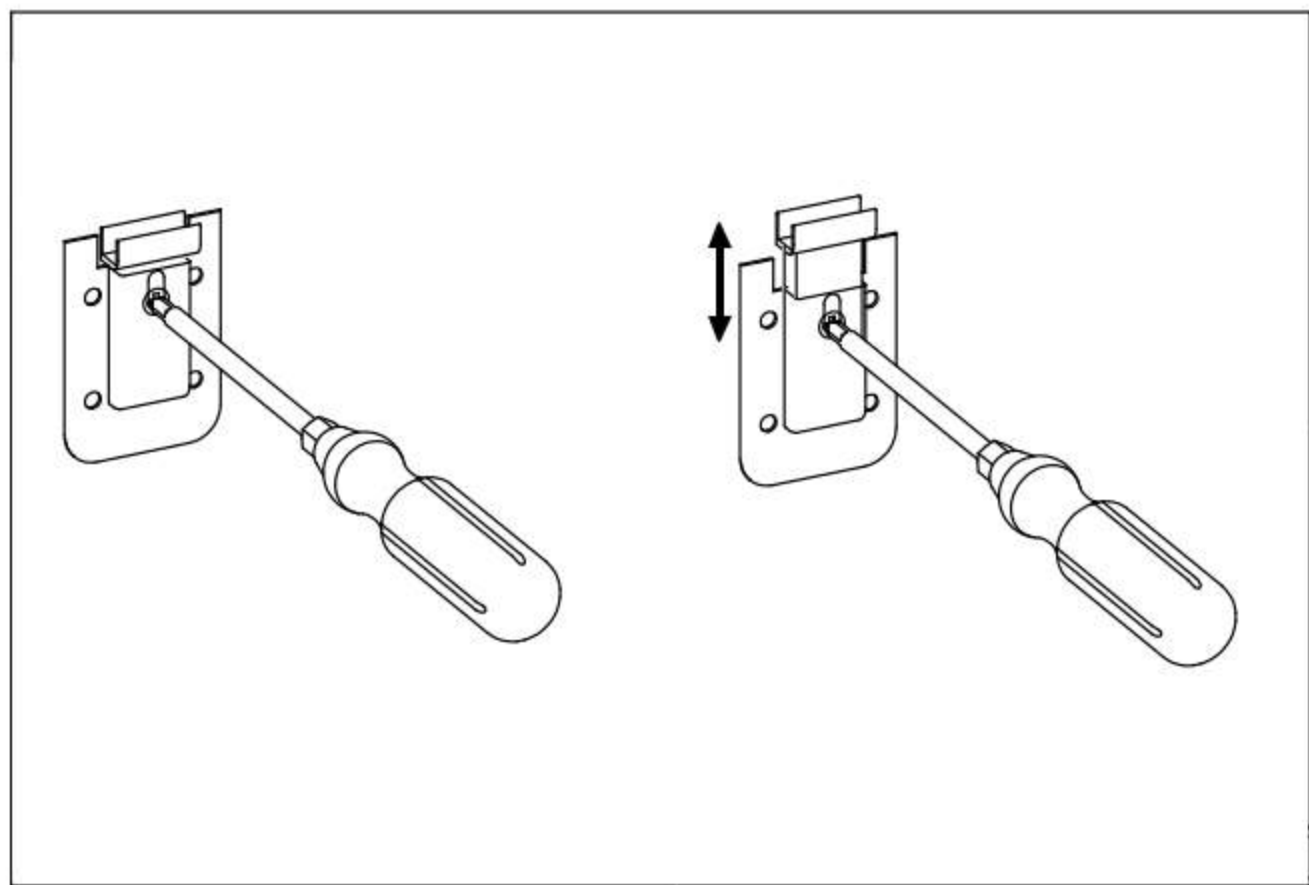
10



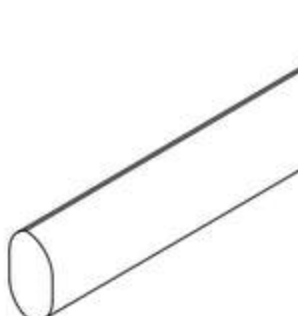



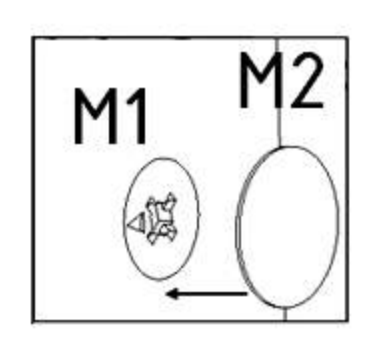
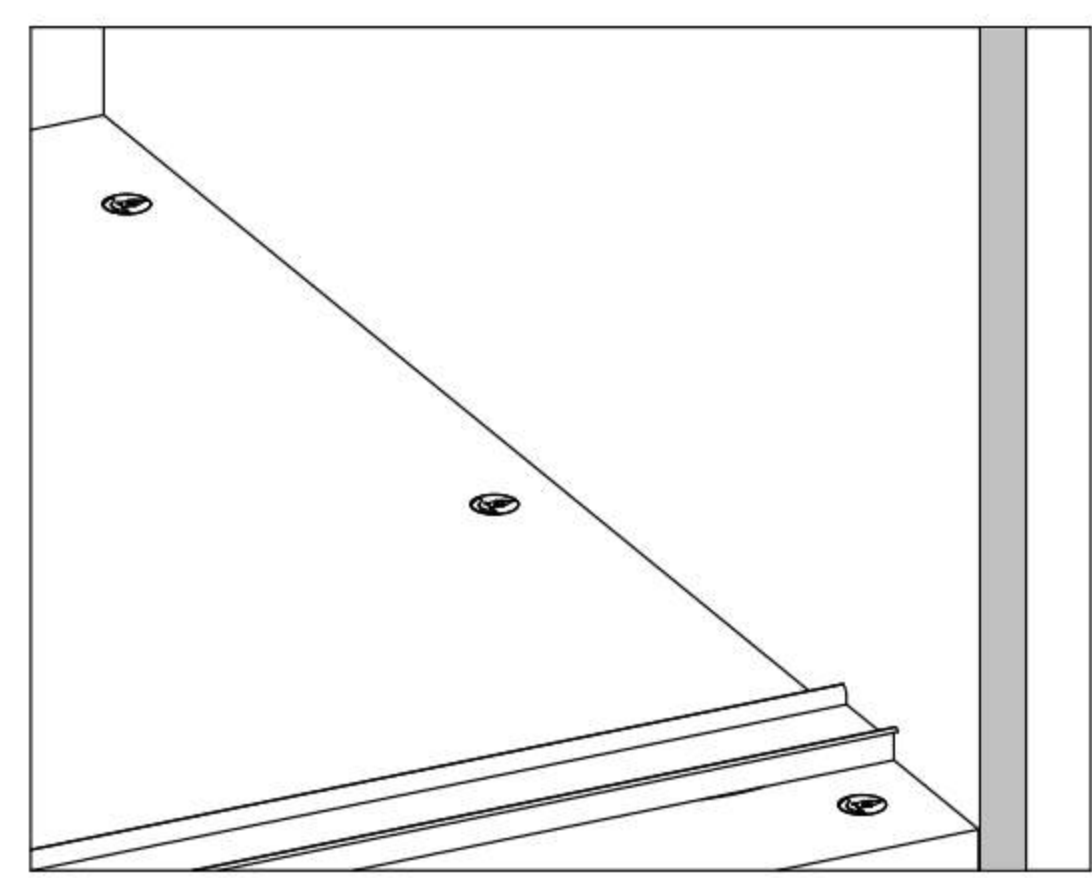
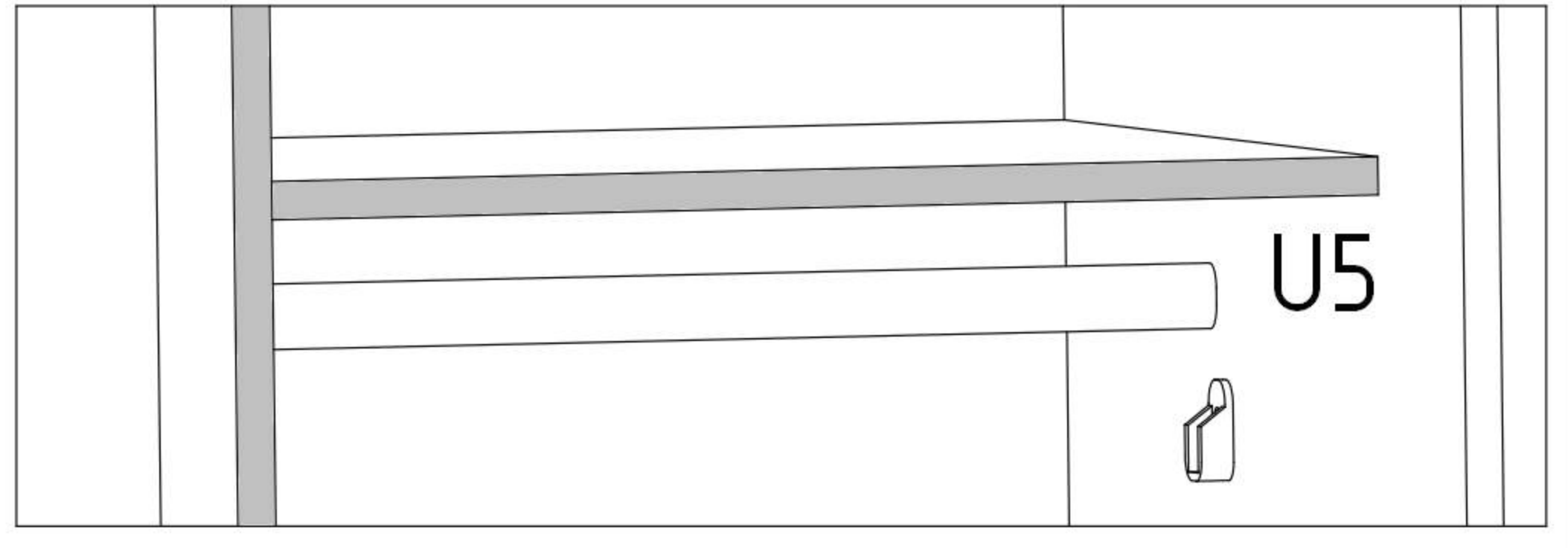
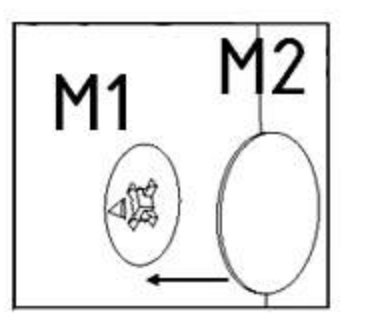
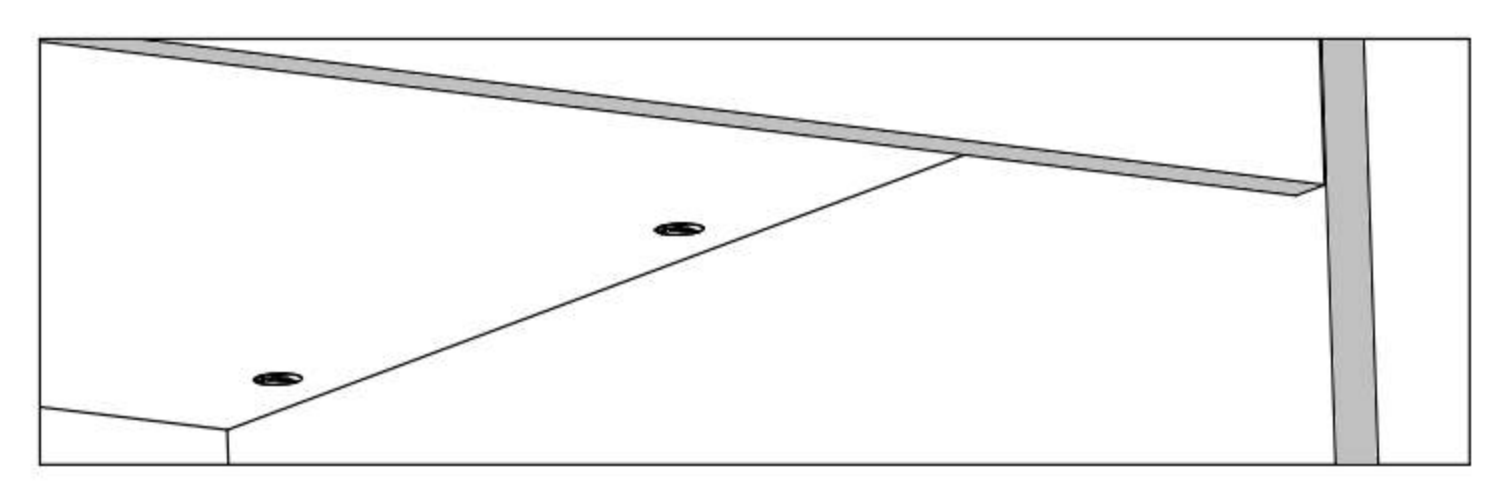
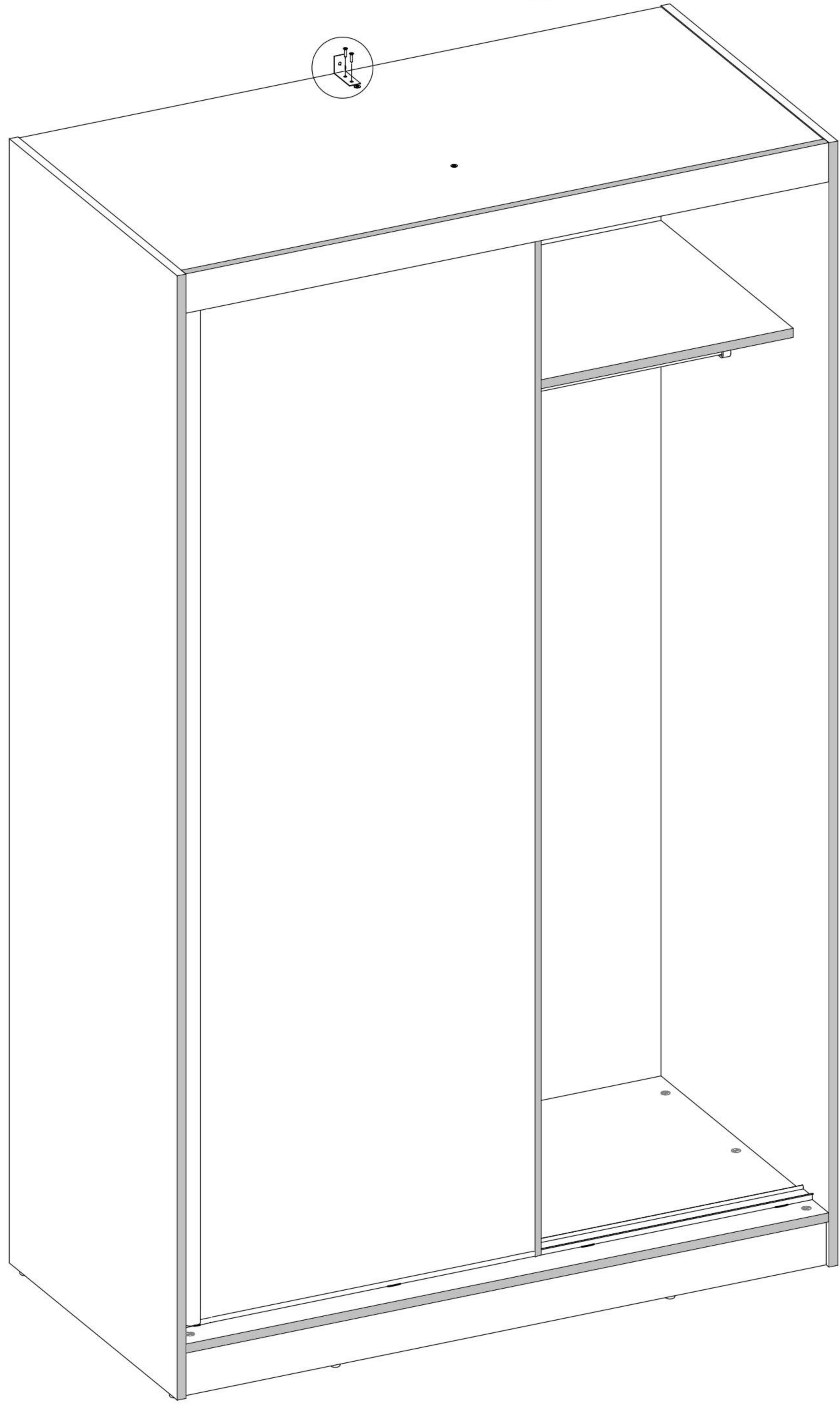
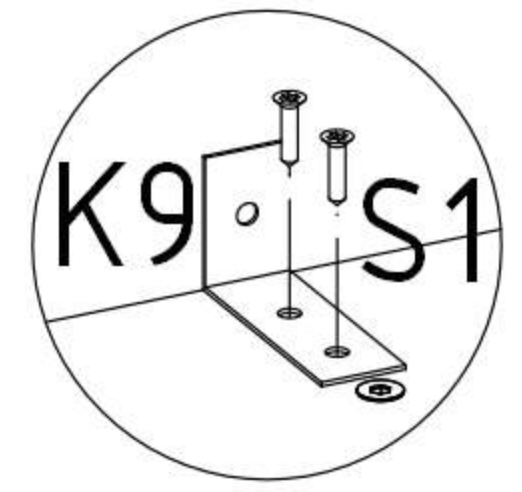
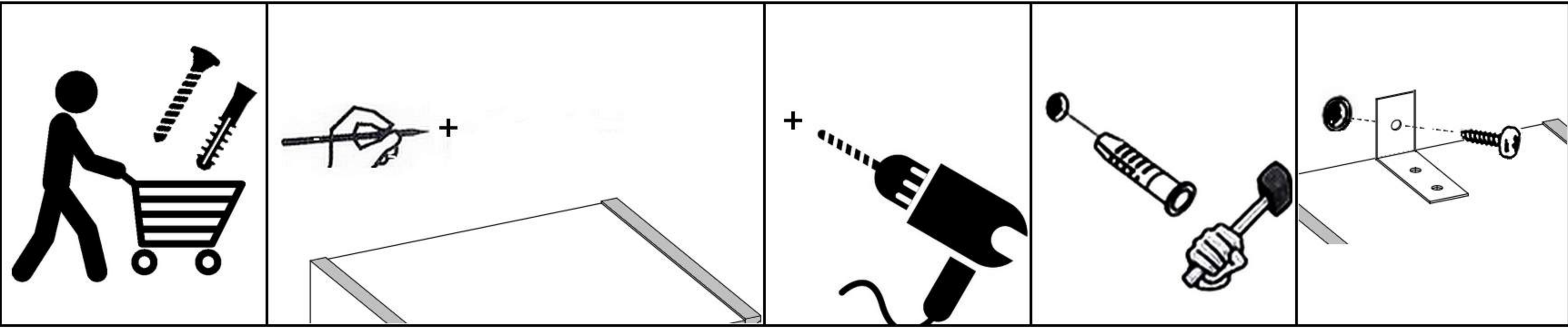




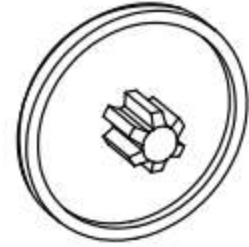




<p>K9</p>  <p>x1</p>	<p>S1</p>  <p>x2</p>	<p>U5</p>  <p>x1</p>	<p>M2</p>  <p>x5</p>
---	---	--	---



M2



x5

