














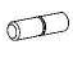




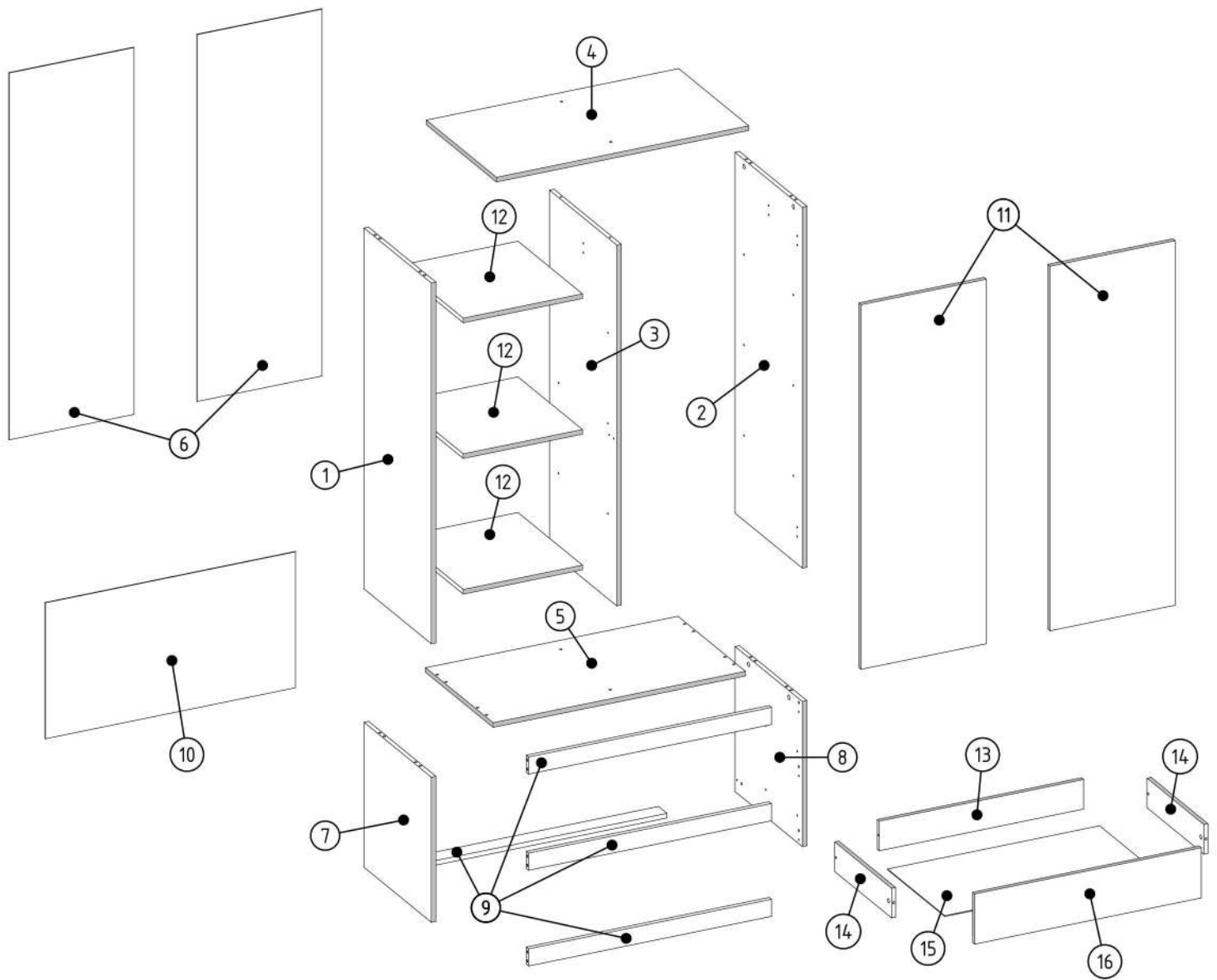


P4  L=400mm x2	T1 	B1  x5	S6  2,5x20mm x20
---	--	--	--

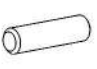



N1  L=35mm x20	F1  7x50mm x12	F3  Hex 4mm x1	A1  ZP x4	S1  3,5x16mm x16	Z1  x100	V15  x20	V13  x1
---	--	--	---	--	---	--	---

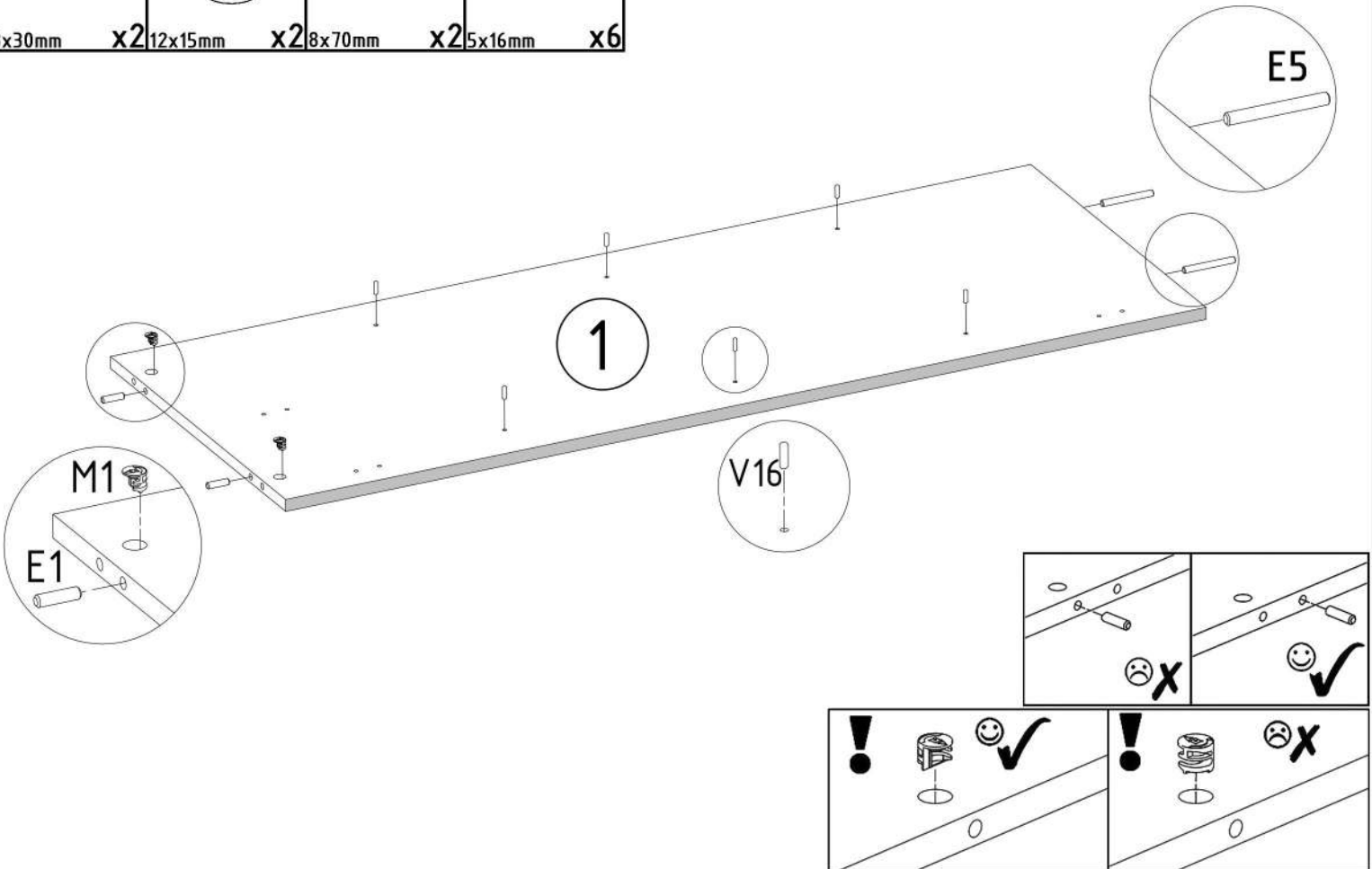
E1  8x30mm x12	M1  12x15mm x20	E5  8x70mm x4	V16  5x16mm x12	V19  x2	V8  L=414mm x1	R1  6x8mm x12	V7  x2
---	---	---	---	---	---	---	--

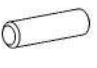





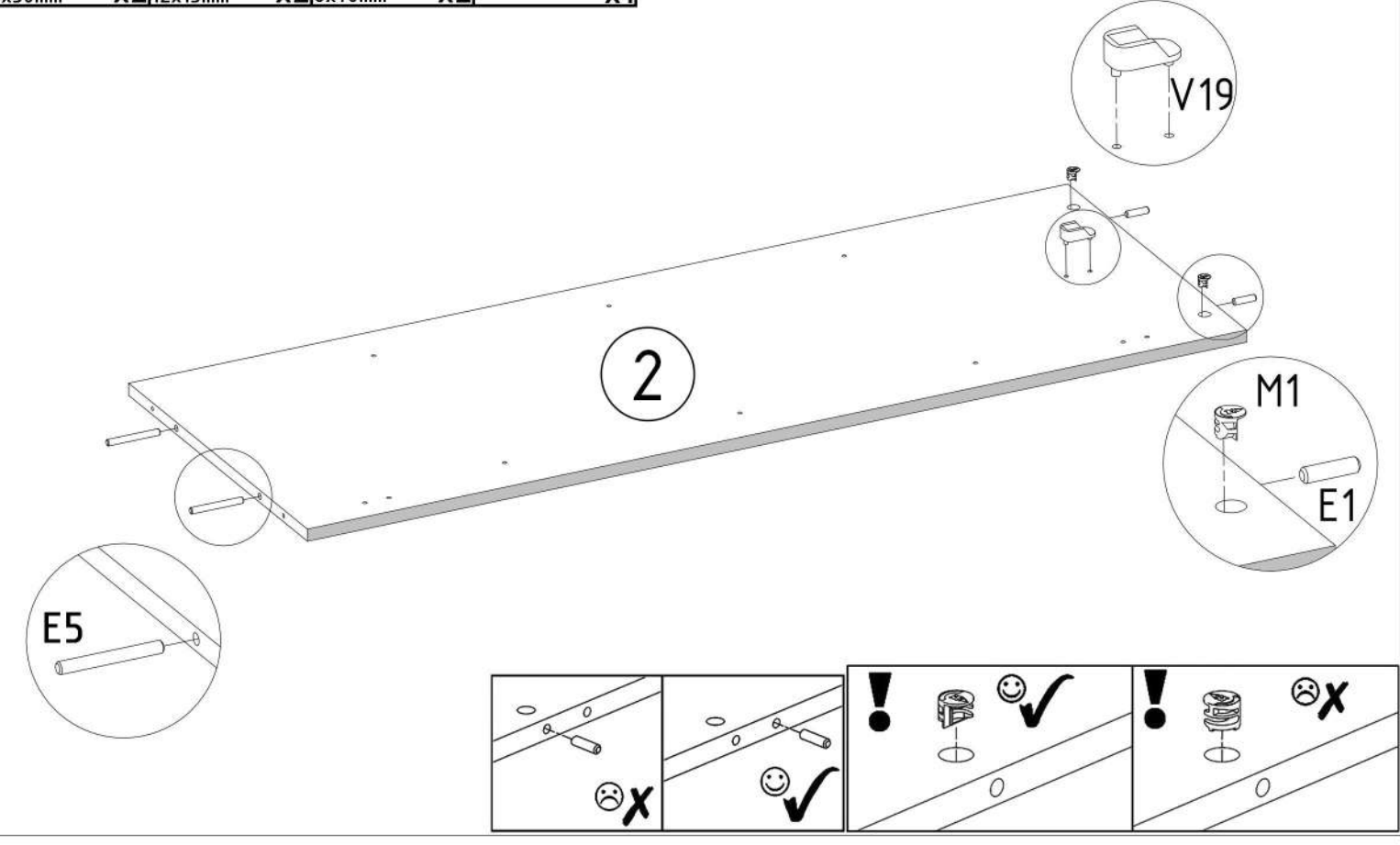
1	x	1
2	x	1
3	x	1
4	x	1
5	x	1
6	x	2
7	x	1
8	x	1

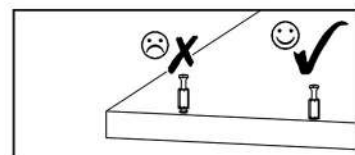
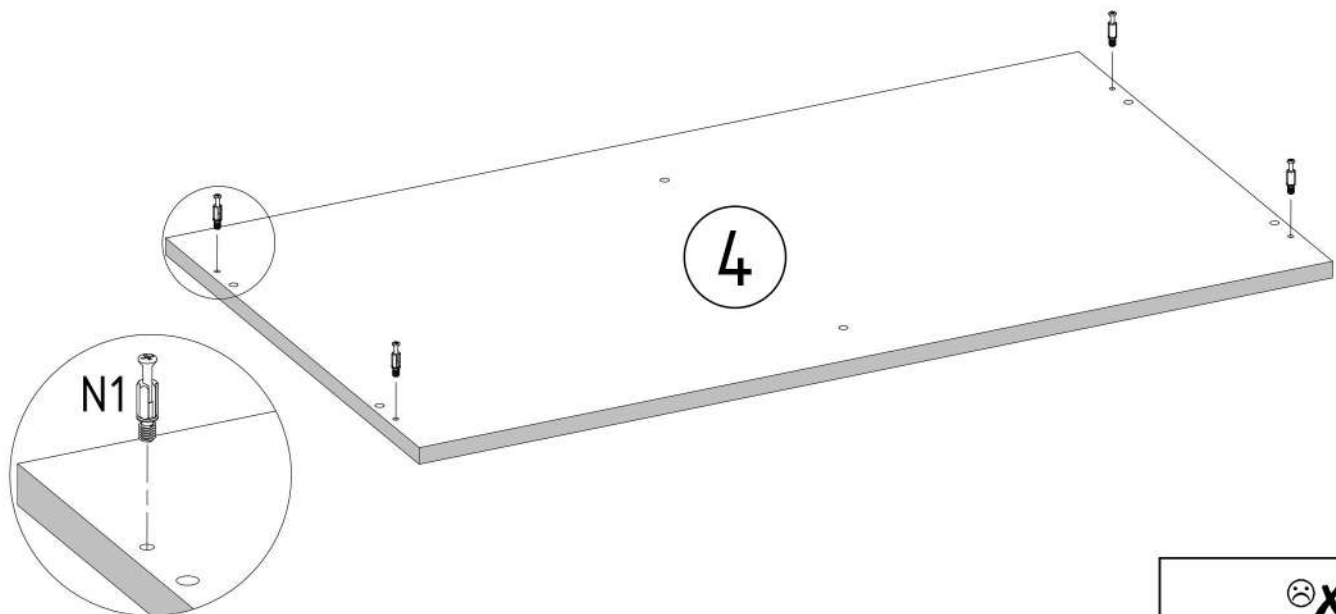
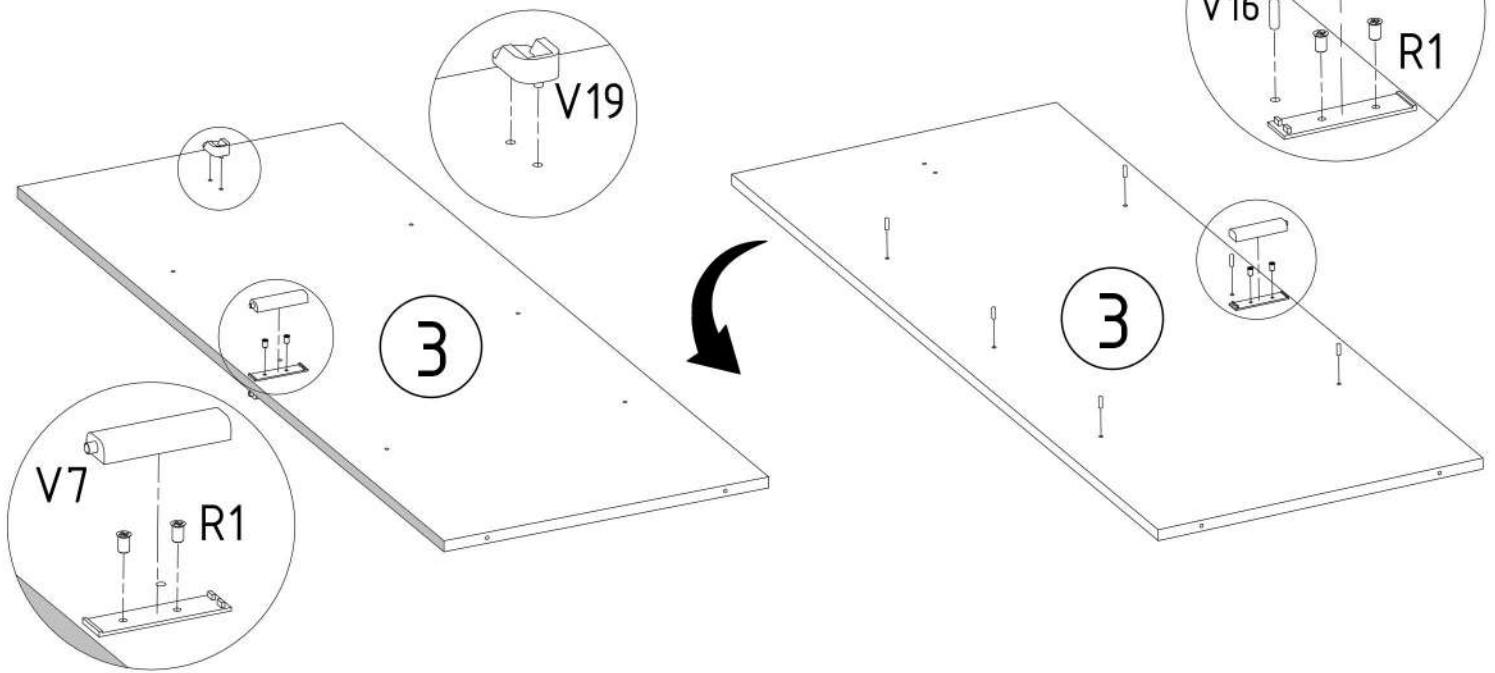
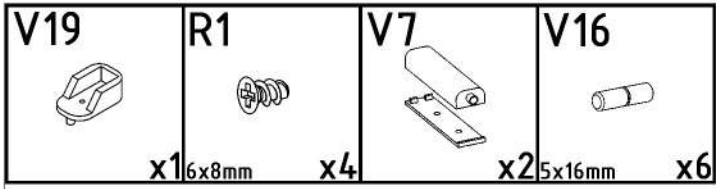
9	x	4
10	x	1
11	x	2
12	x	3
13	x	2
14	x	4
15	x	2
16	x	2

E1 	M1 	E5 	V16 
8x30mm	x2 12x15mm	x2 8x70mm	x2 5x16mm



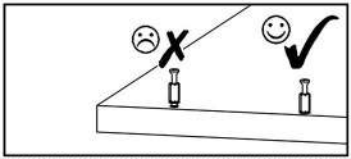
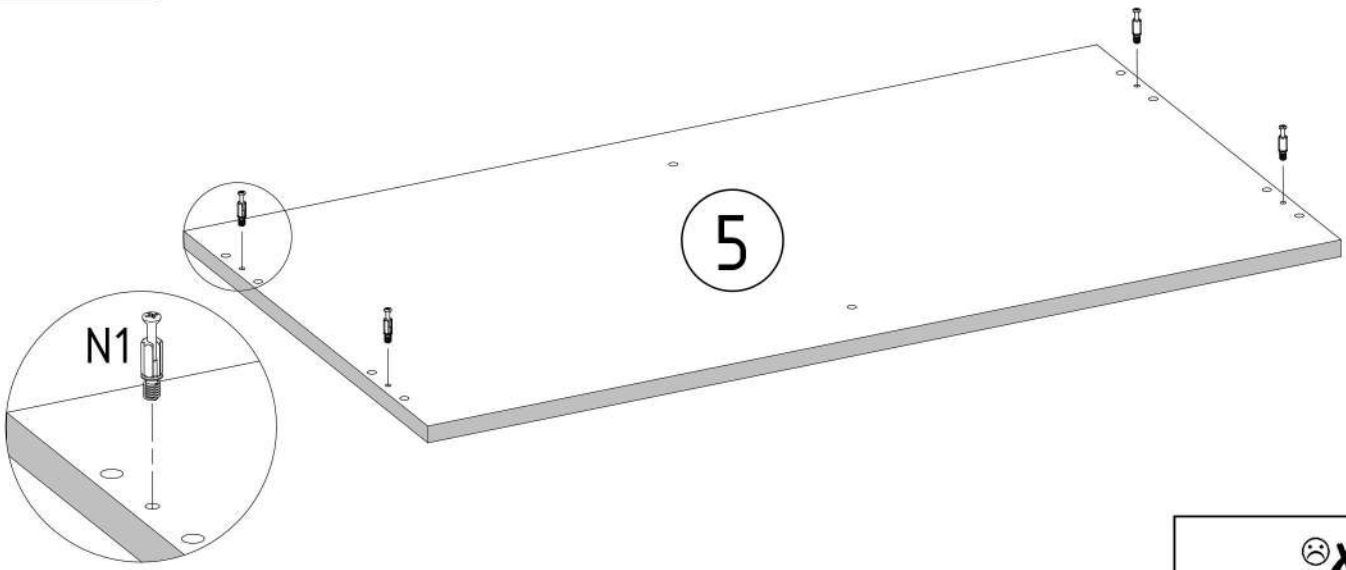
E1 	M1 	E5 	V19 
8x30mm	x2 12x15mm	x2 8x70mm	x2 1 x1





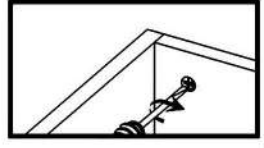
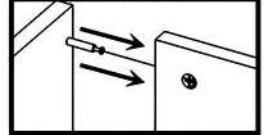
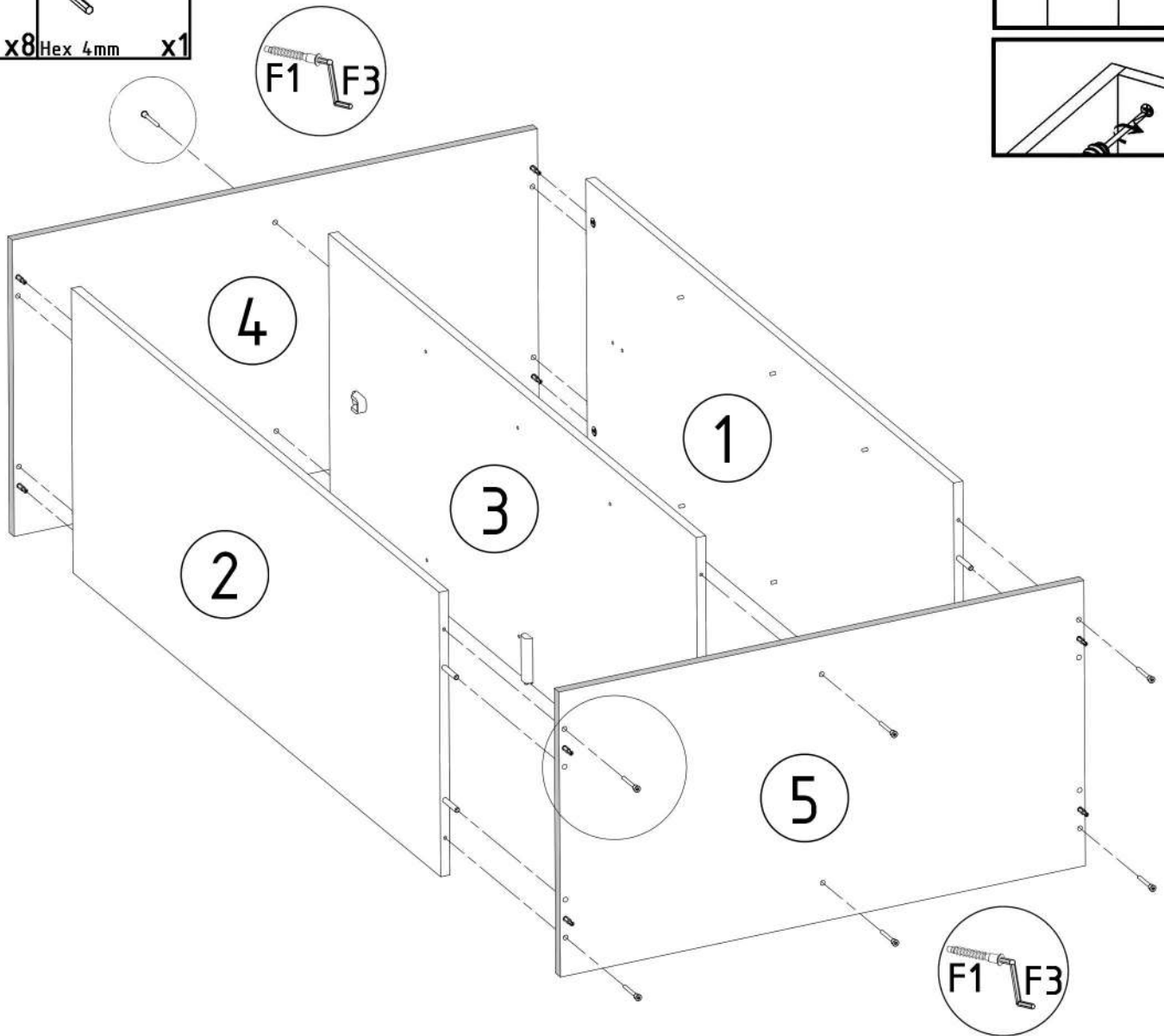


N1

L=35mm **x4**








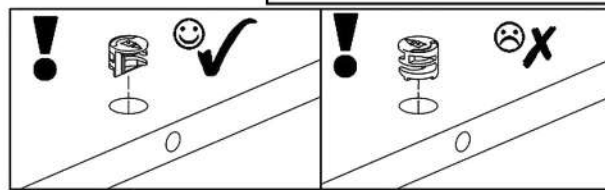
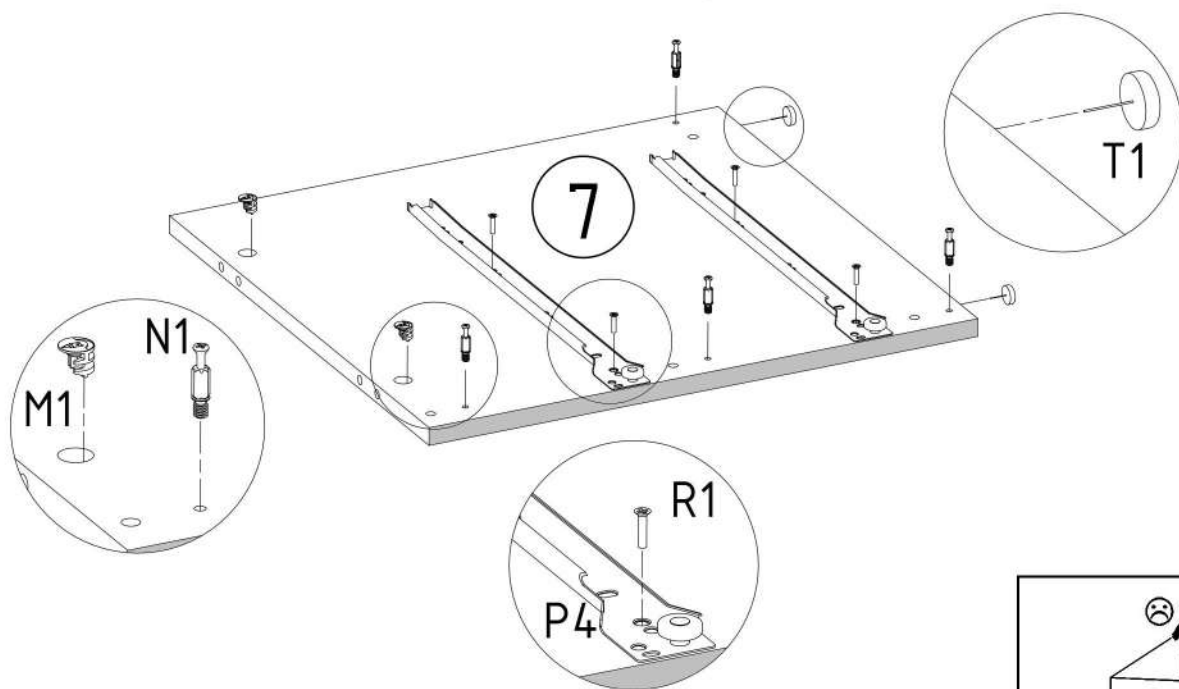
F1 **F3**

7x50mm **x8** 
Hex 4mm **x1**








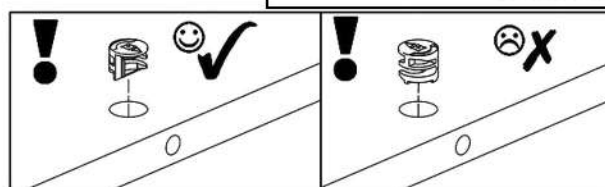
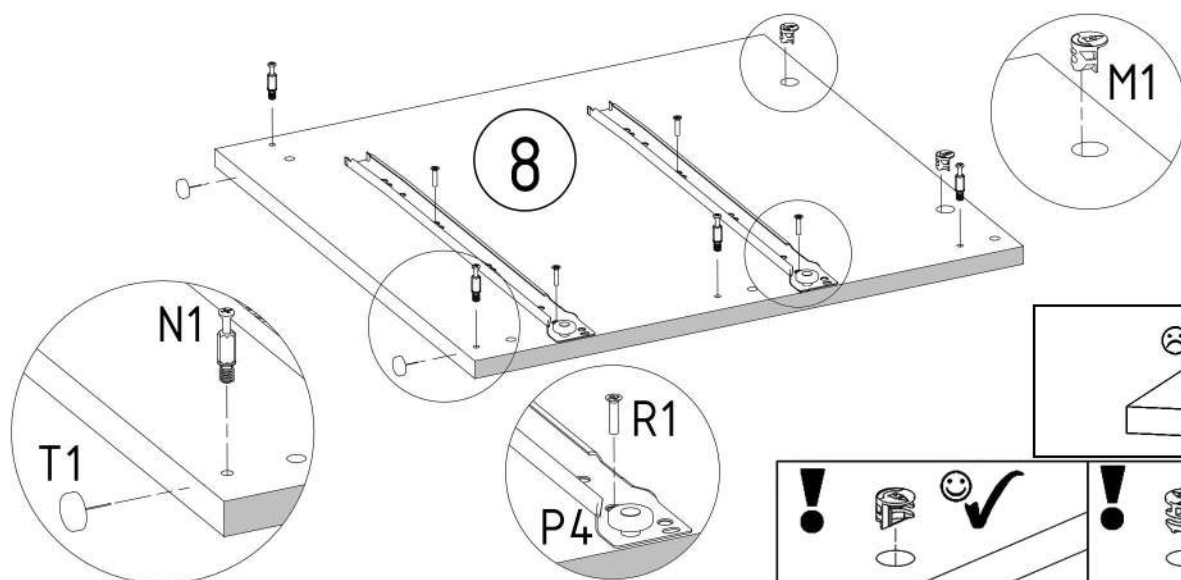
F1 **F3**



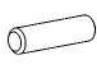
Hex 4mm **x1**

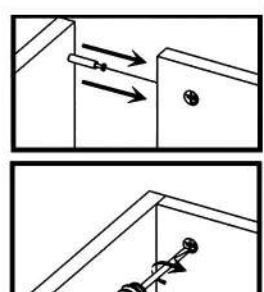
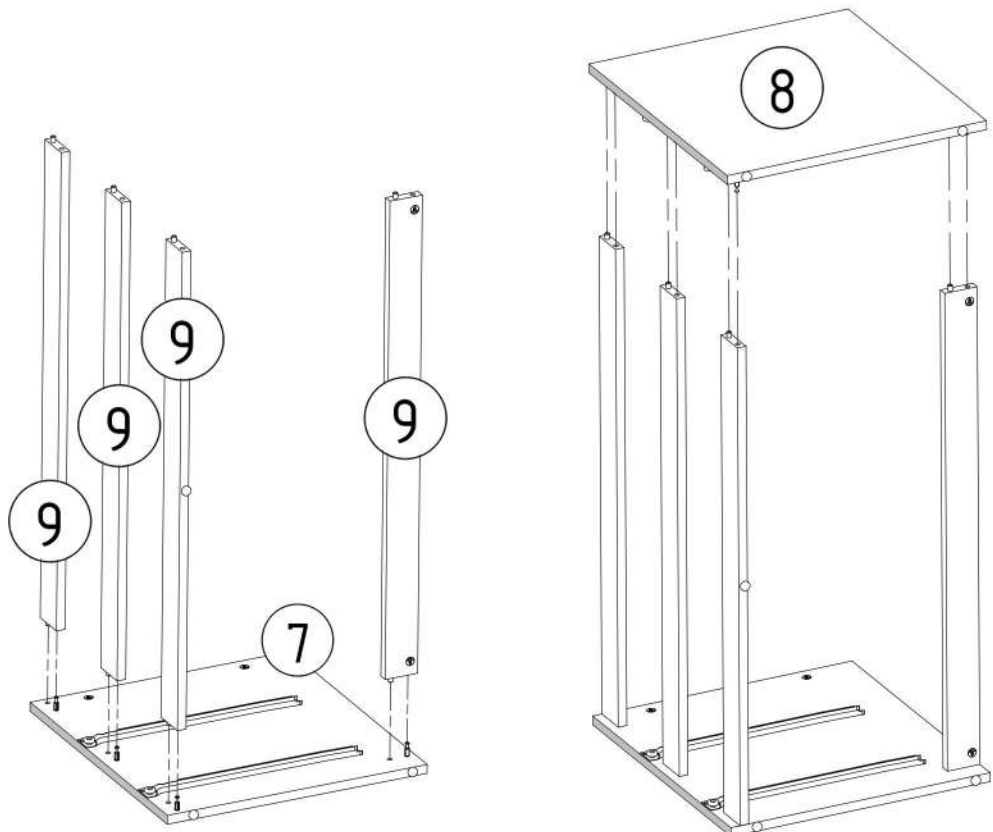
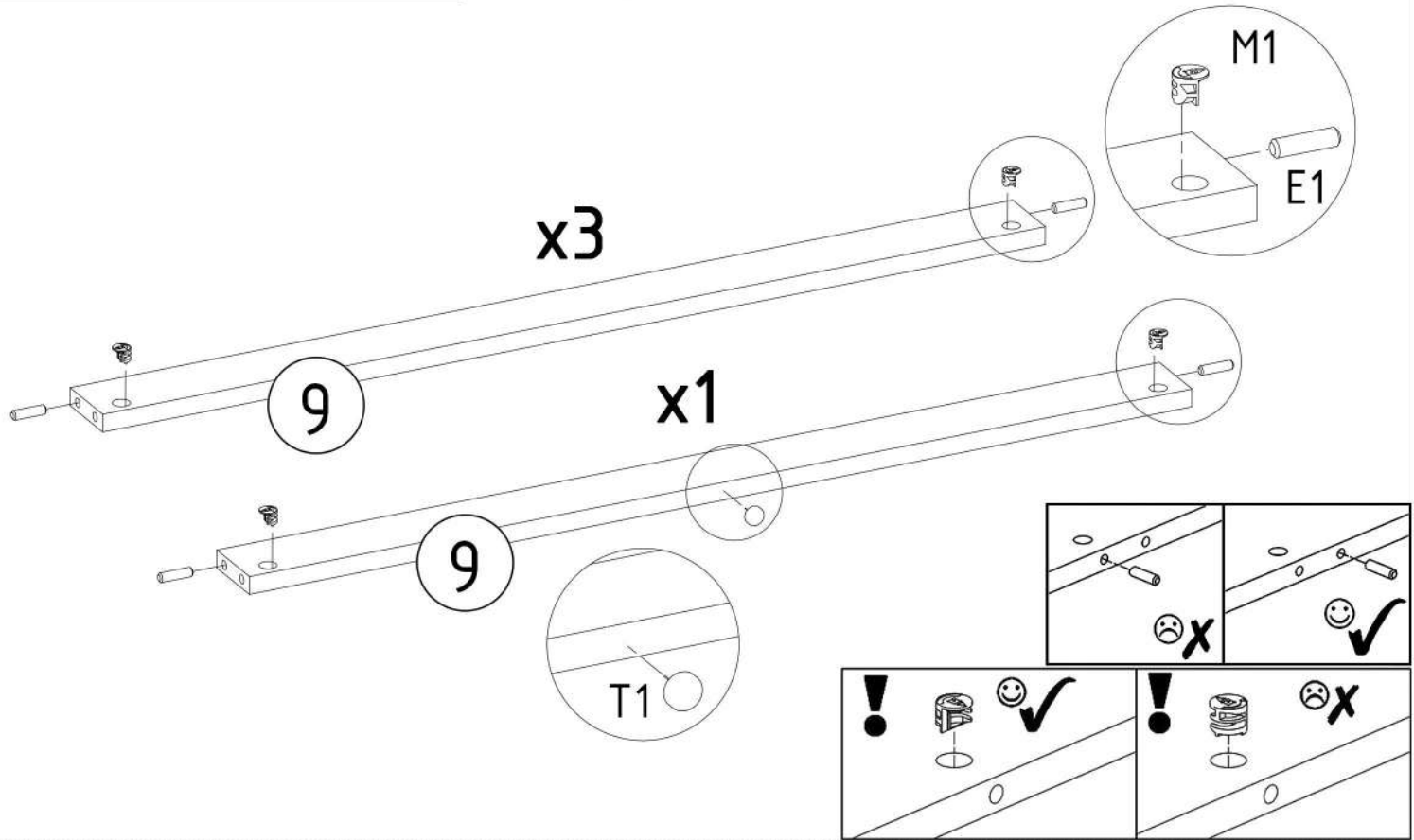
M1  12x15mm x2	N1  L=35mm x4	P4  L=400mm x2	T1  x2	R1  6x8mm x4
---	---	--	--	--

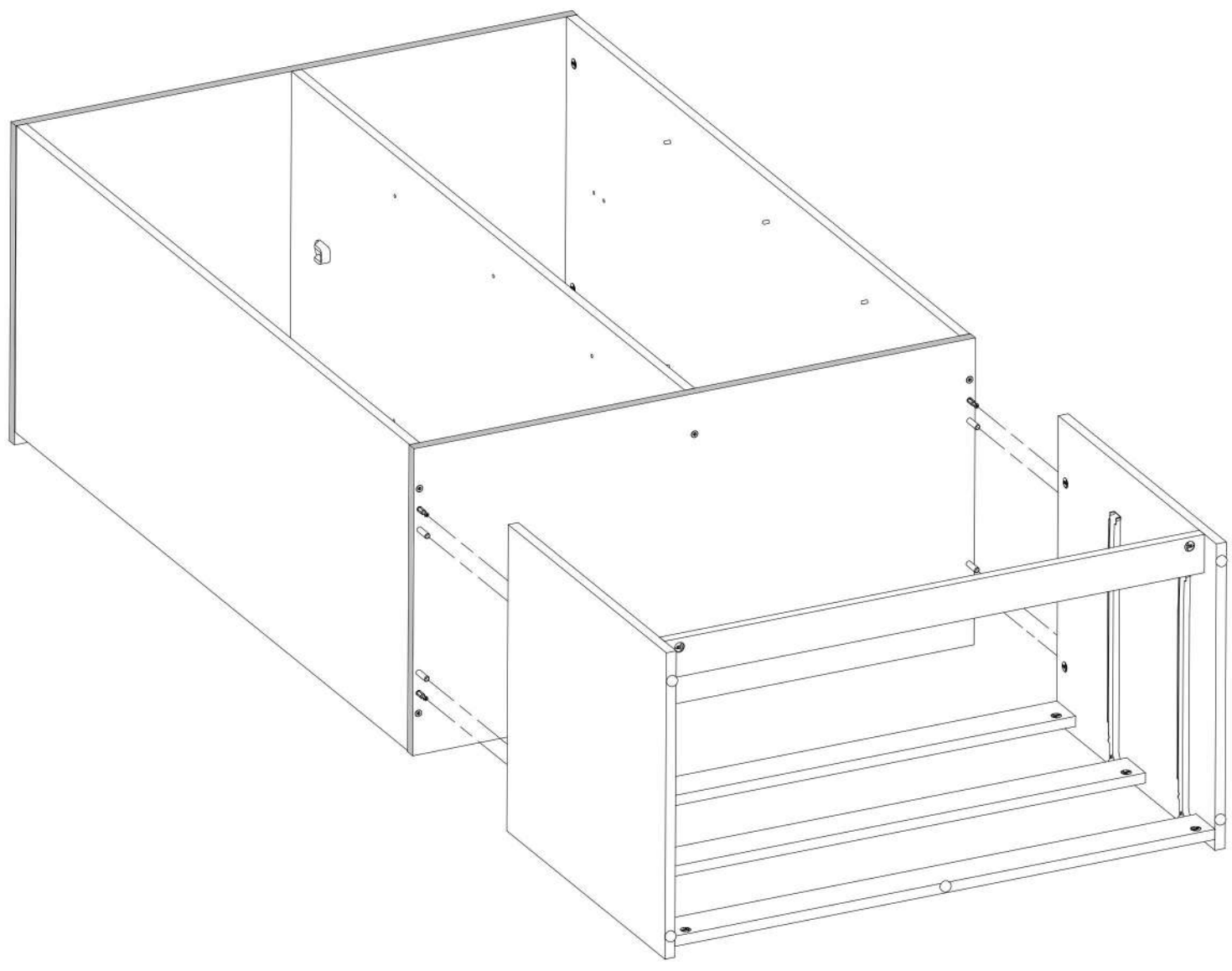
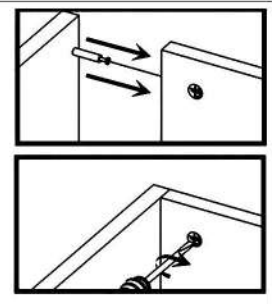





M1  12x15mm x2	N1  L=35mm x4	P4  L=400mm x2	T1  x2	R1  6x8mm x4
---	---	--	--	--

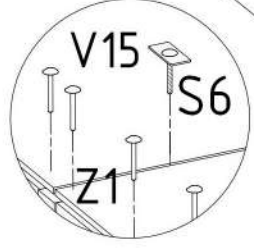
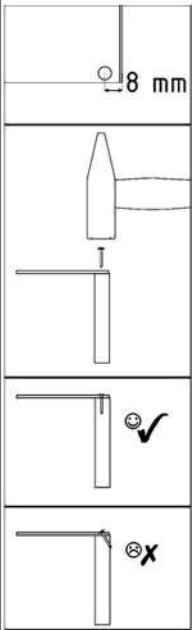
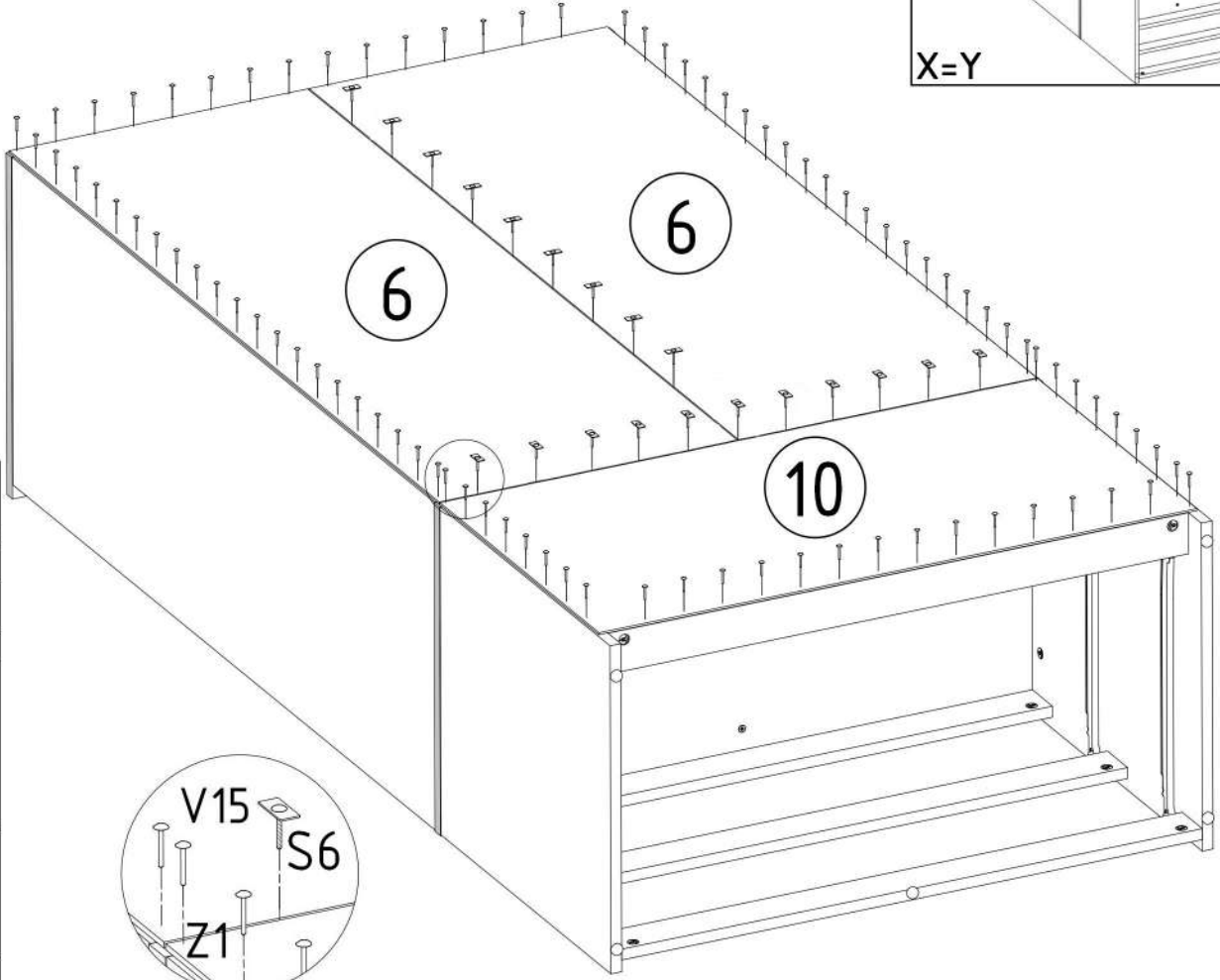
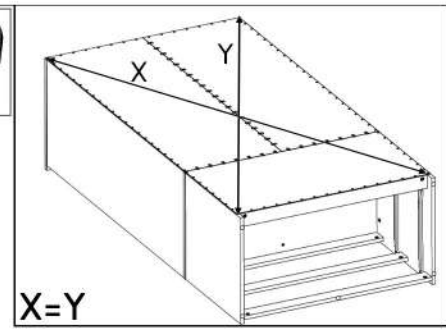
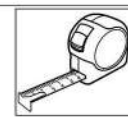





M1  12x15mm x8	T1  x1	E1  18x30mm x8
---	--	--

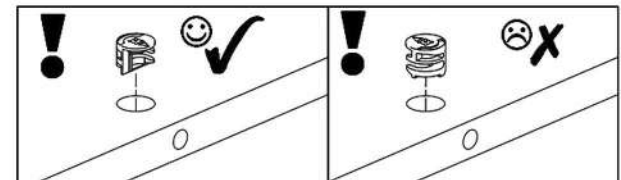
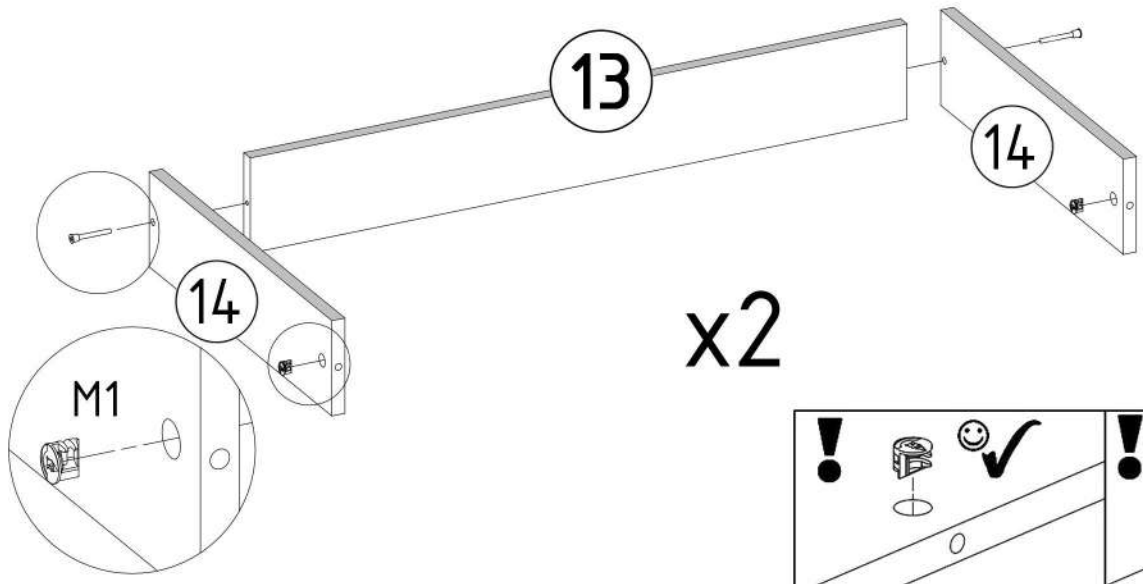




<p>Z1</p>  <p>x88</p>	<p>V15</p>  <p>x20</p>	<p>S6</p>  <p>2,5x20mm x20</p>
---	---	---



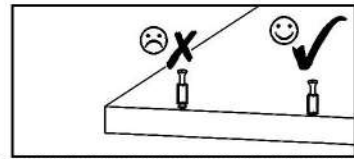
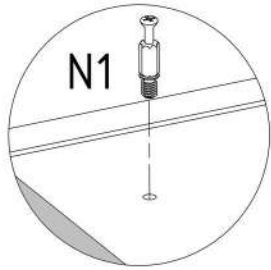
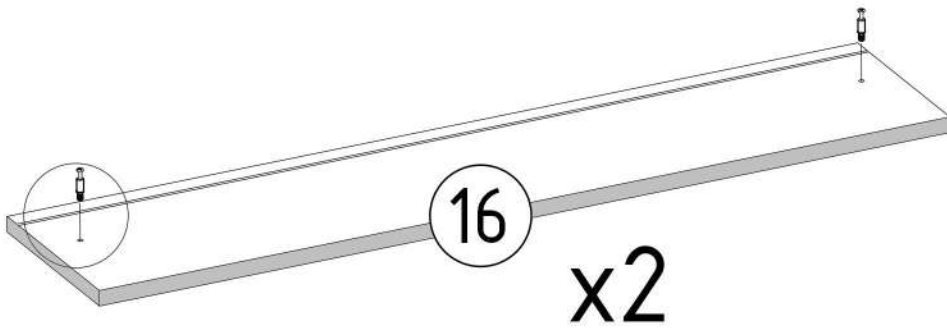
<p>M1</p>  <p>12x15mm</p>	<p>F1</p>  <p>x4 7x50mm</p>	<p>F3</p>  <p>x4 Hex 4mm</p>
---	--	---




N1



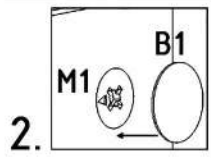
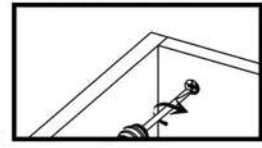
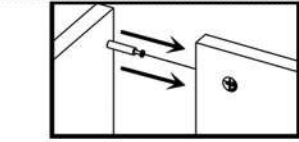
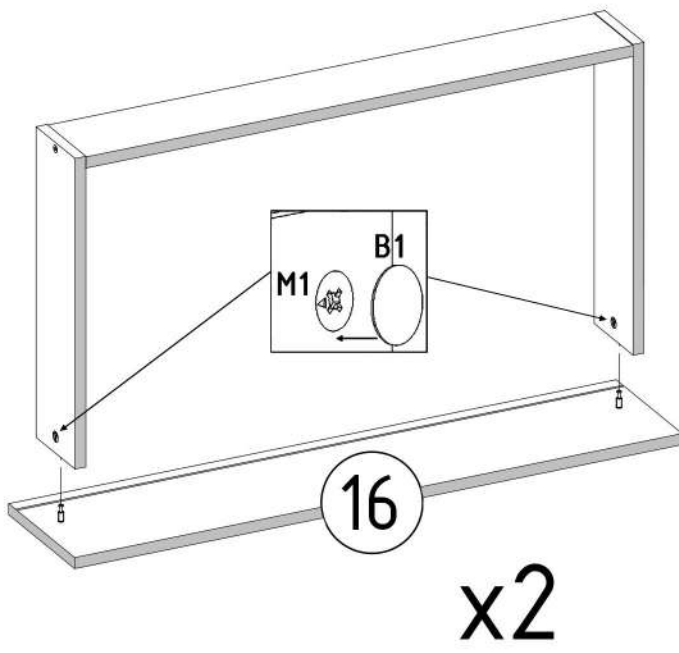
L=35mm **x4**




B1



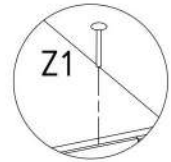
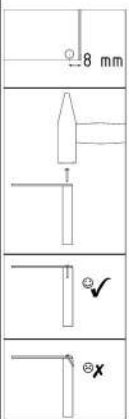
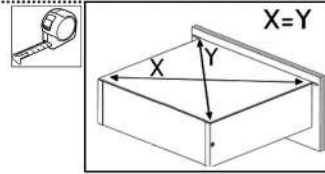
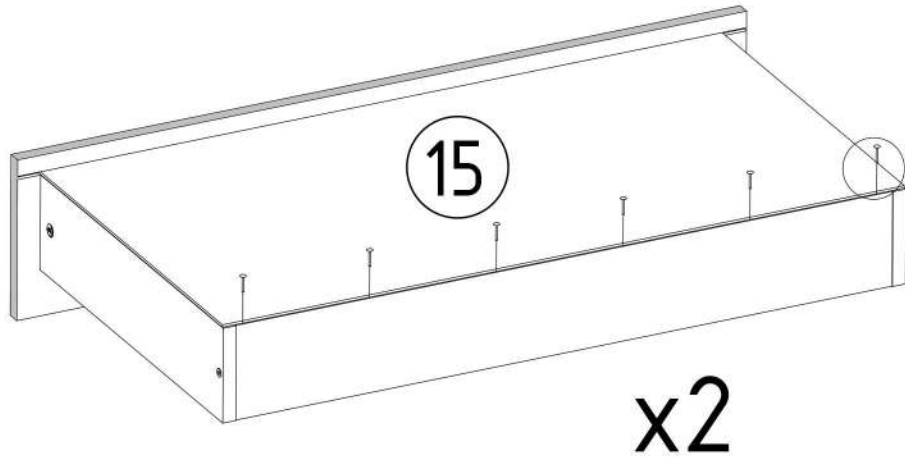
ø17/4-5mm **x4**





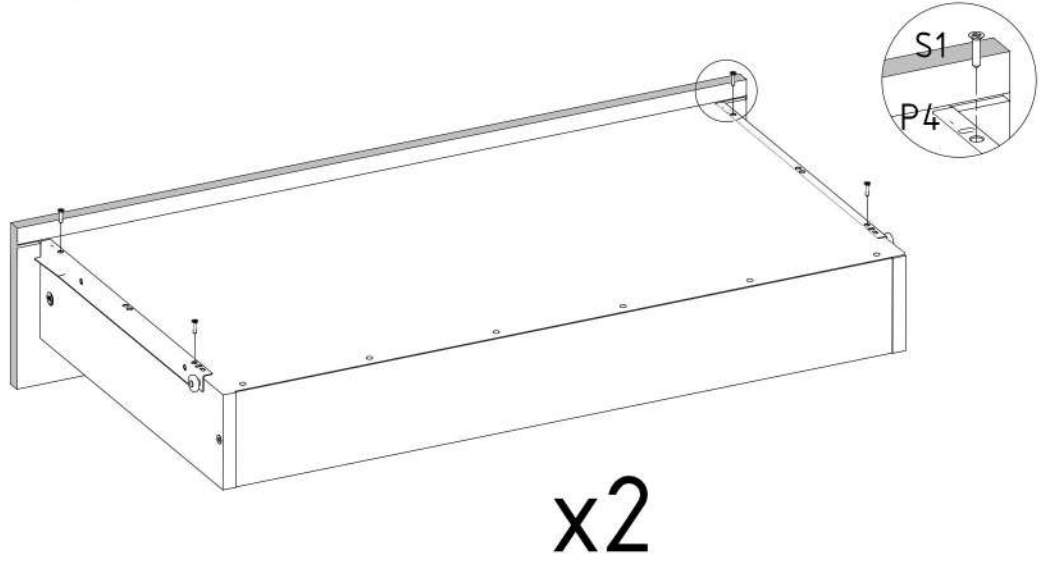
Z1





x12



S1  3,5x16mm x8	P4  L=400mm x4
---	---



A1  ZP x4	S1  3,5x16mm x8
---	--

