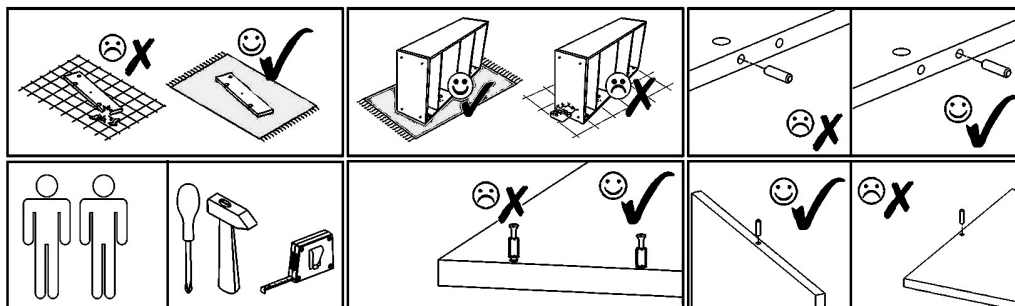
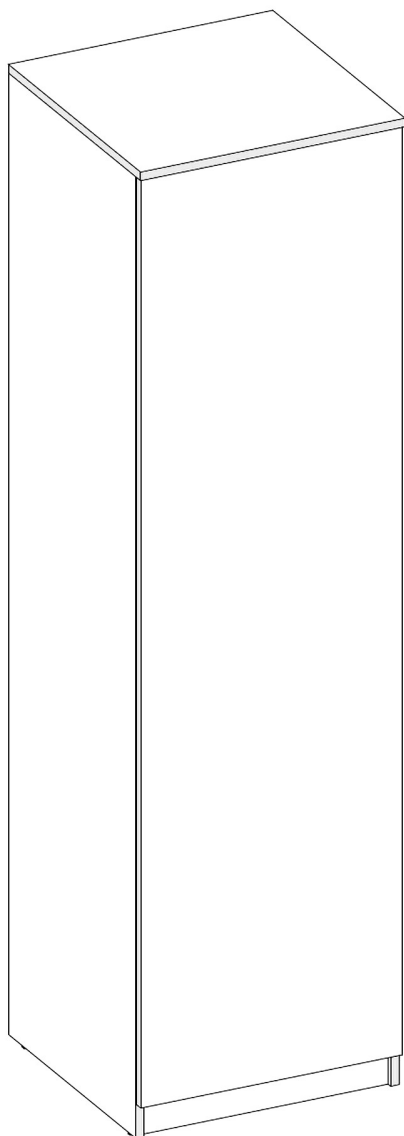


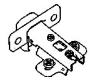

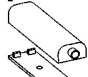













# SD-50

PRODUCTION DATE

PACKING CODE

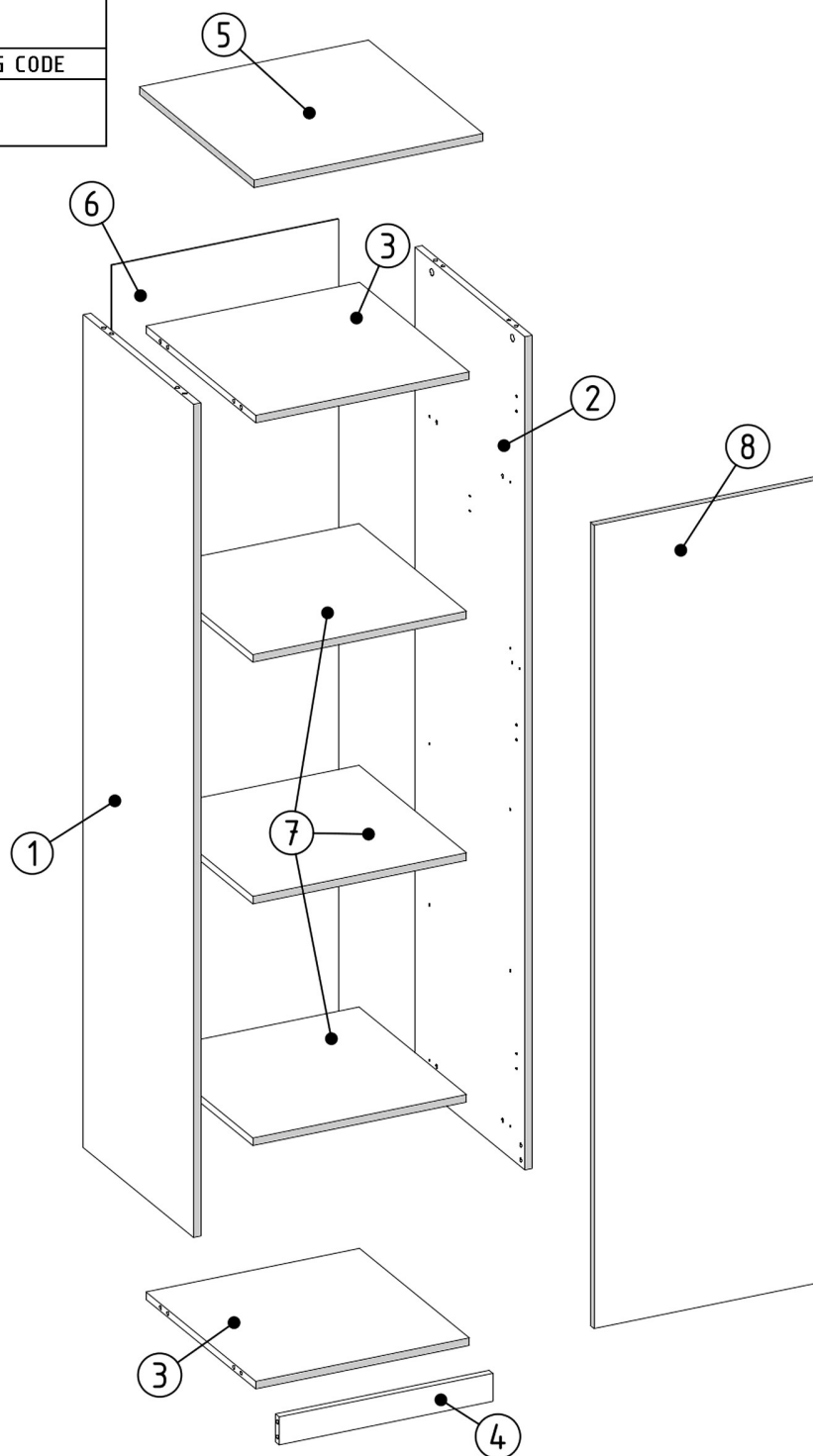


<p><b>T1</b></p>  <p>x5</p>	<p><b>Z1</b></p>  <p>x80</p>	<p><b>A1</b></p>  <p>ZP x3</p>	<p><b>E1</b></p>  <p>8x30mm x16</p>	<p><b>V7</b></p>  <p>x1</p>	<p><b>V8</b></p>  <p>L=455mm x1</p>	<p><b>B1</b></p>  <p>B ø17/4mm x8</p>	<p><b>B1</b></p>  <p>S/A ø17/4mm x8</p>
<p><b>M1</b></p>  <p>12x15mm x12</p>	<p><b>N1</b></p>  <p>L=35mm x12</p>	<p><b>V13</b></p>  <p>x1</p>	<p><b>S1</b></p>  <p>3,5x16mm x6</p>	<p><b>R1</b></p>  <p>6x8mm x2</p>	<p><b>V19</b></p>  <p>x2</p>	<p><b>V16</b></p>  <p>5x16mm x12</p>	<p><b>B1</b></p>  <p>Ant ø17/4mm x8</p>

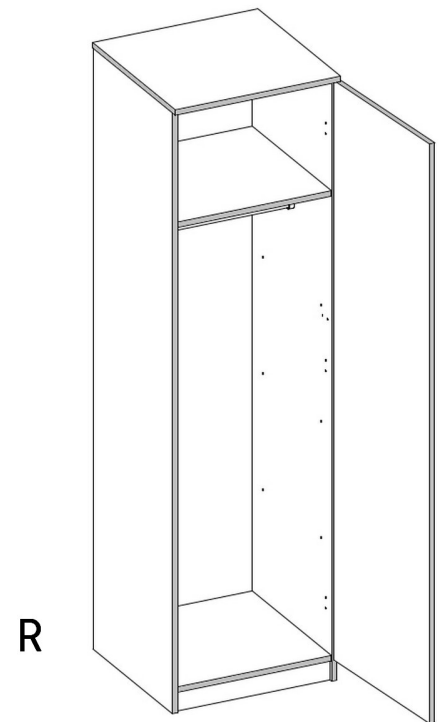
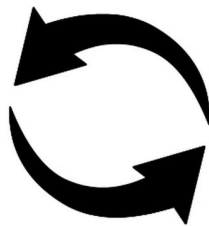
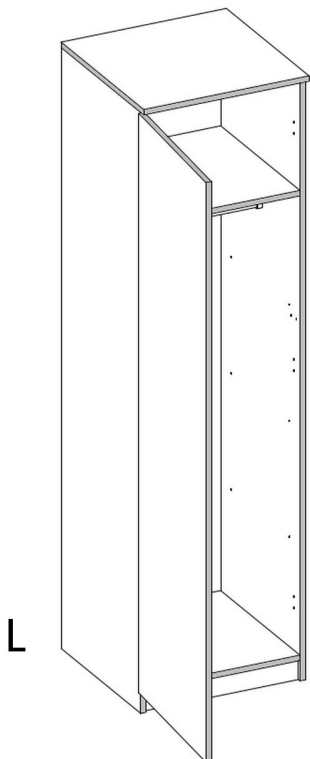
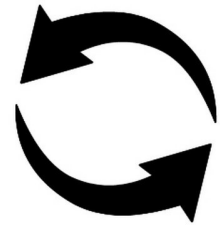
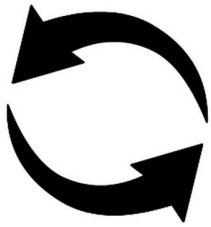
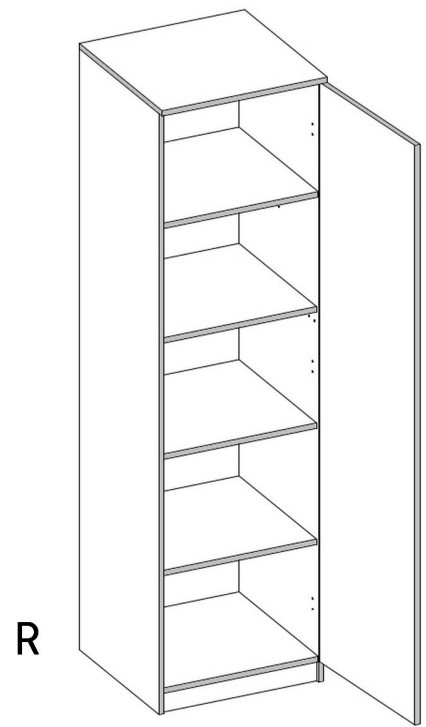
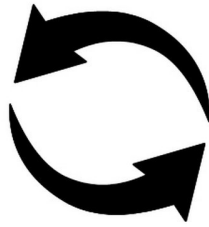
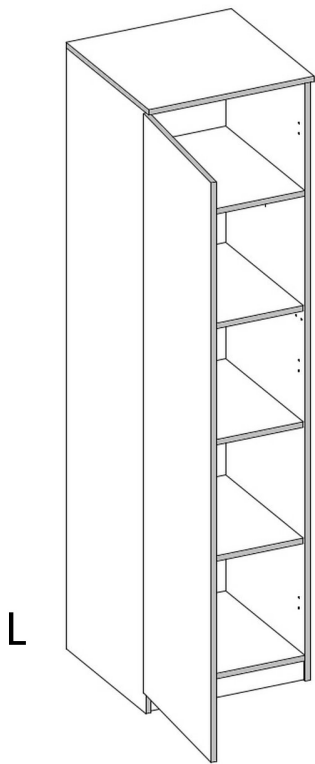
## SD-50





PRODUCTION DATE

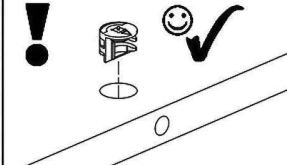
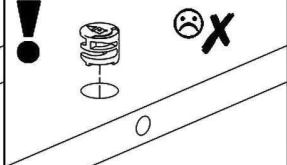
PACKING CODE

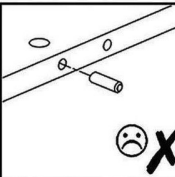
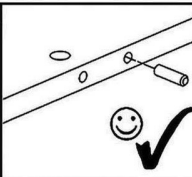
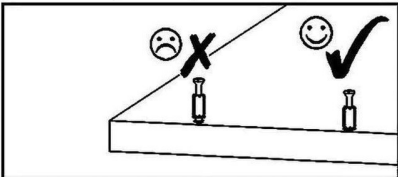


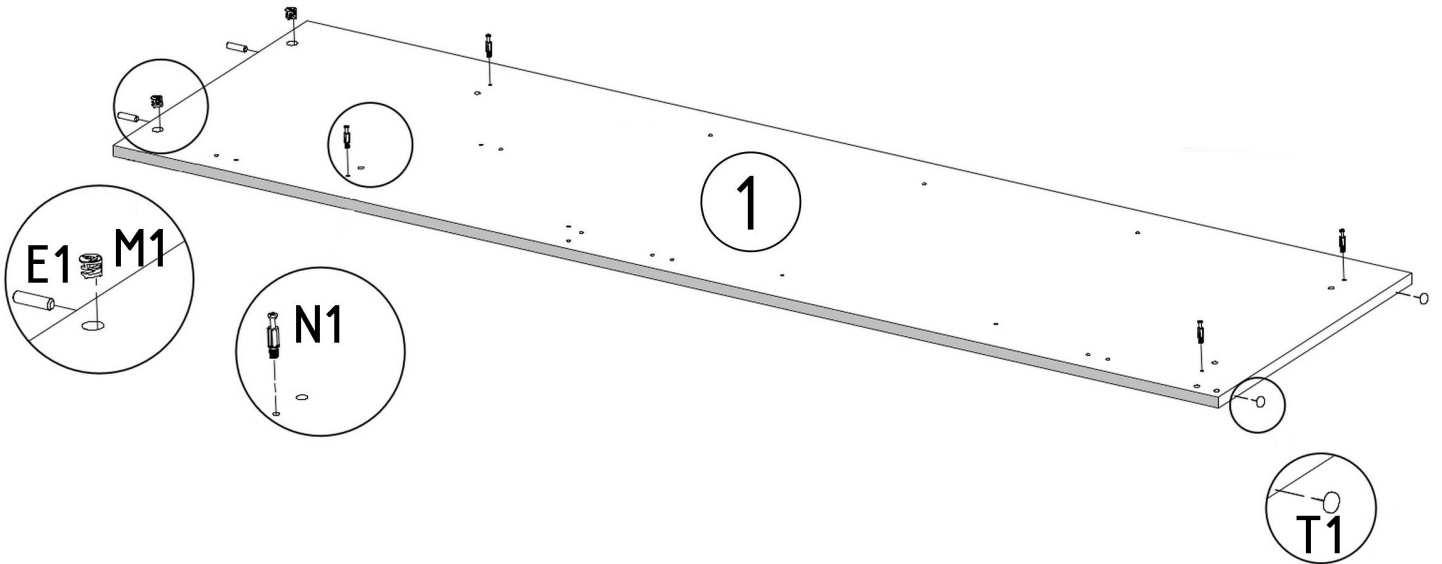
000590	8	1
000591	7	3
000588	6	1
000593	5	1
000589	4	1
000592	3	2
000587	2	1
000586	1	1
ID	NUMBER	QUANTITY







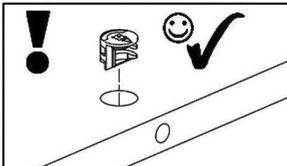
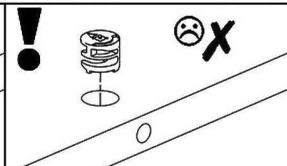
<b>T1</b>  x2	<b>M1</b>  12x15mm x2	<b>E1</b>  8x30mm x2	<b>N1</b>  L=35mm x4
---	---	---	--

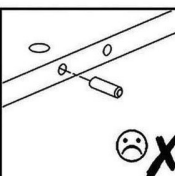
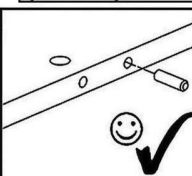
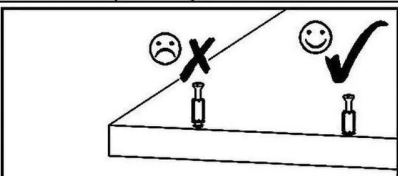
 ! X	 ! X
--	---

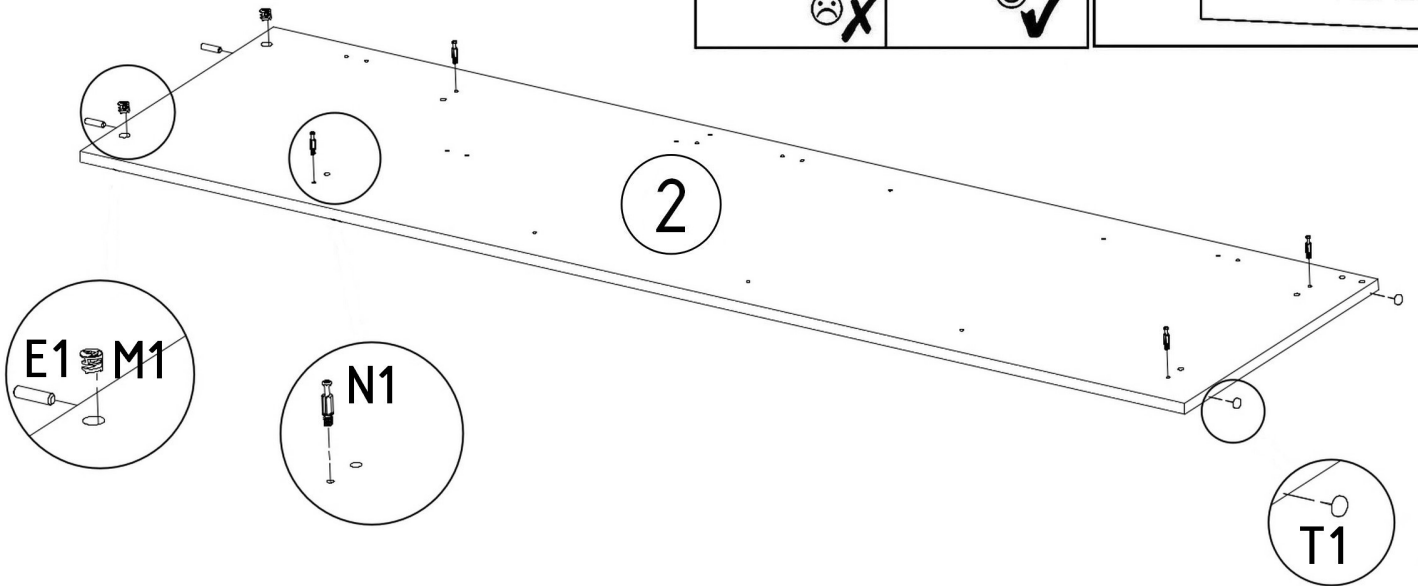
 ! X	 ! X	 ! X
--	---	--










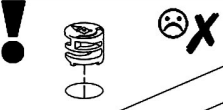




<b>T1</b>  x2	<b>M1</b>  12x15mm x2	<b>E1</b>  8x30mm x2	<b>N1</b>  L=35mm x4
---	--	---	---

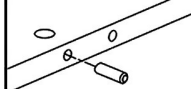
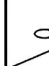
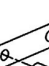


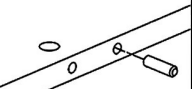




 ! X	 ! X
---	--

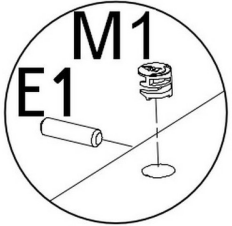
 ! X	 ! X	 ! X
--	---	--



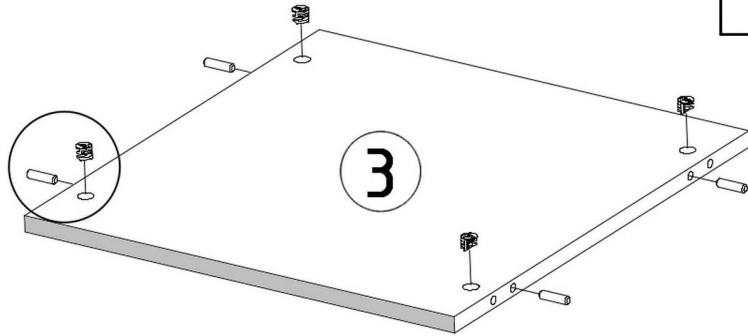
<b>M1</b>  12x15mm x8	<b>E1</b>  8x30mm x8
--	---



 !    	 !    
---	---

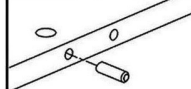




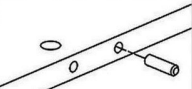


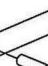
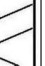
    	    
--	--

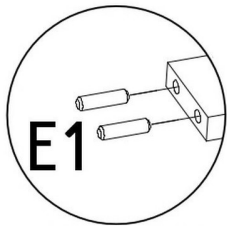


**M1**  
**E1**

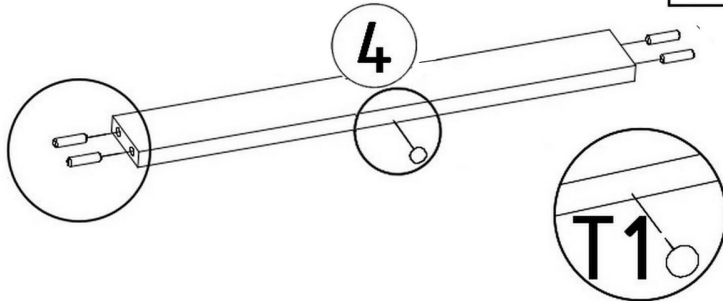


<b>E1</b>  8x30mm x4	<b>T1</b>  x1
--	--

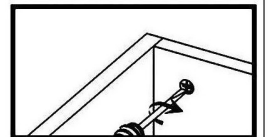
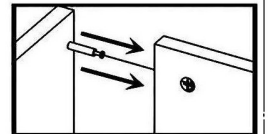
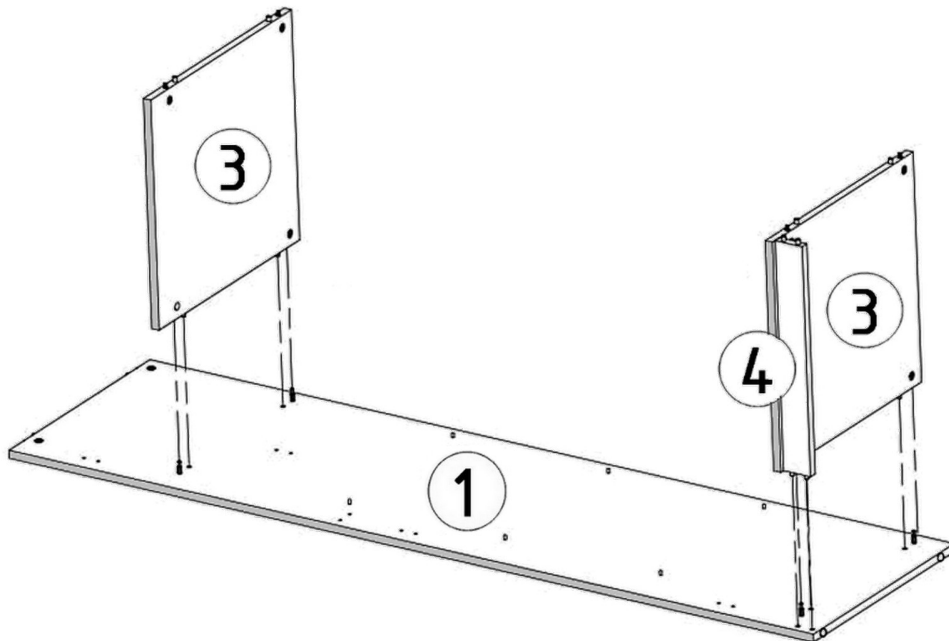
    	    
--	--

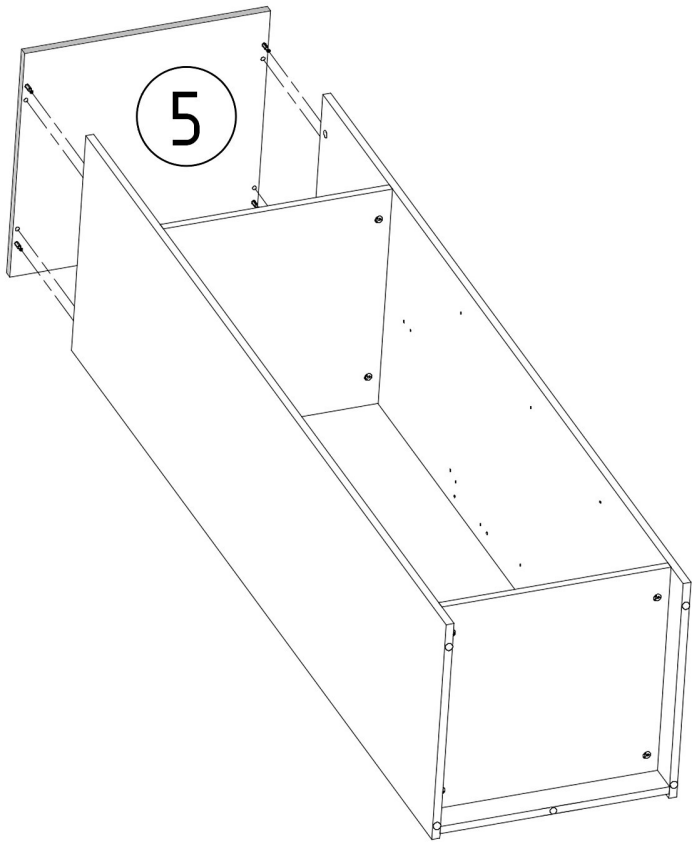
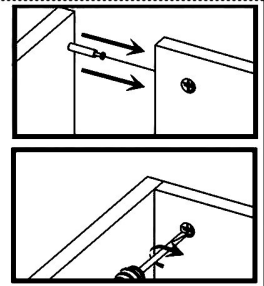
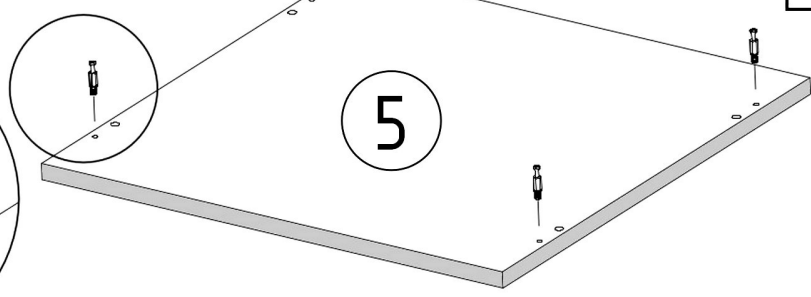
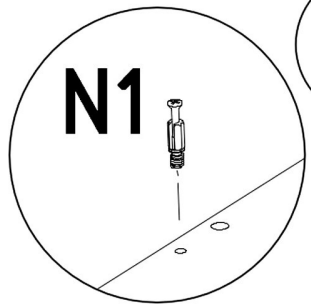
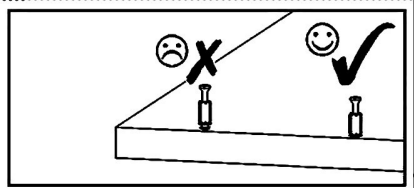
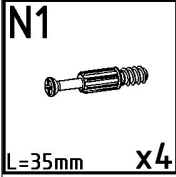
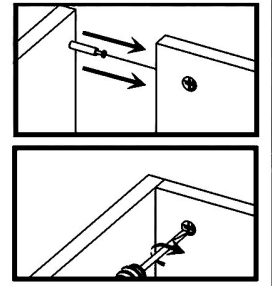
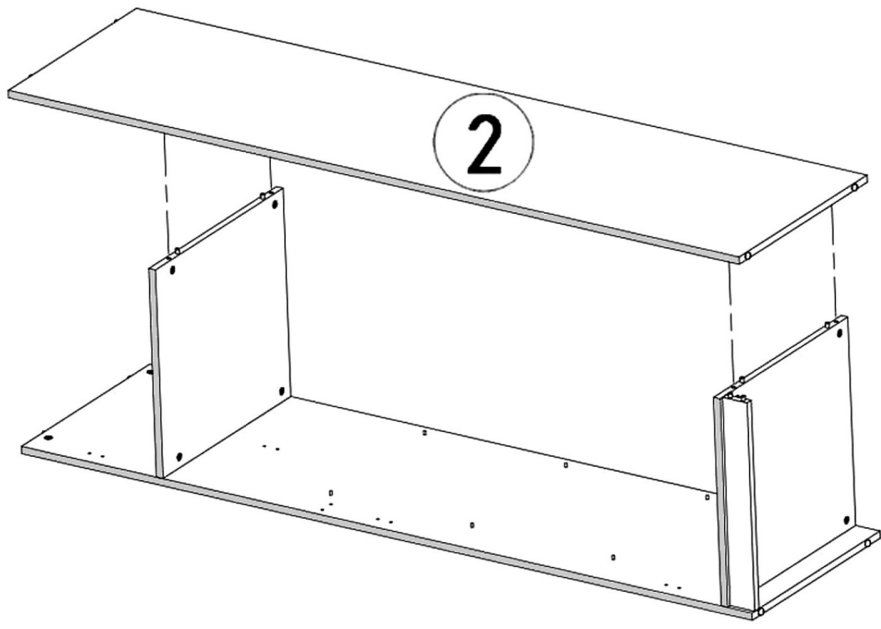


**E1**



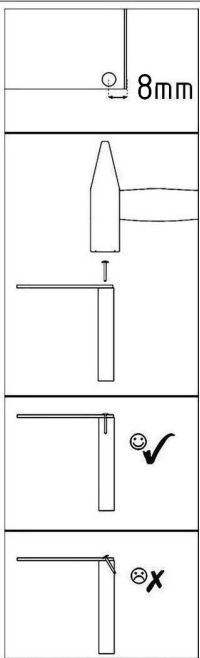
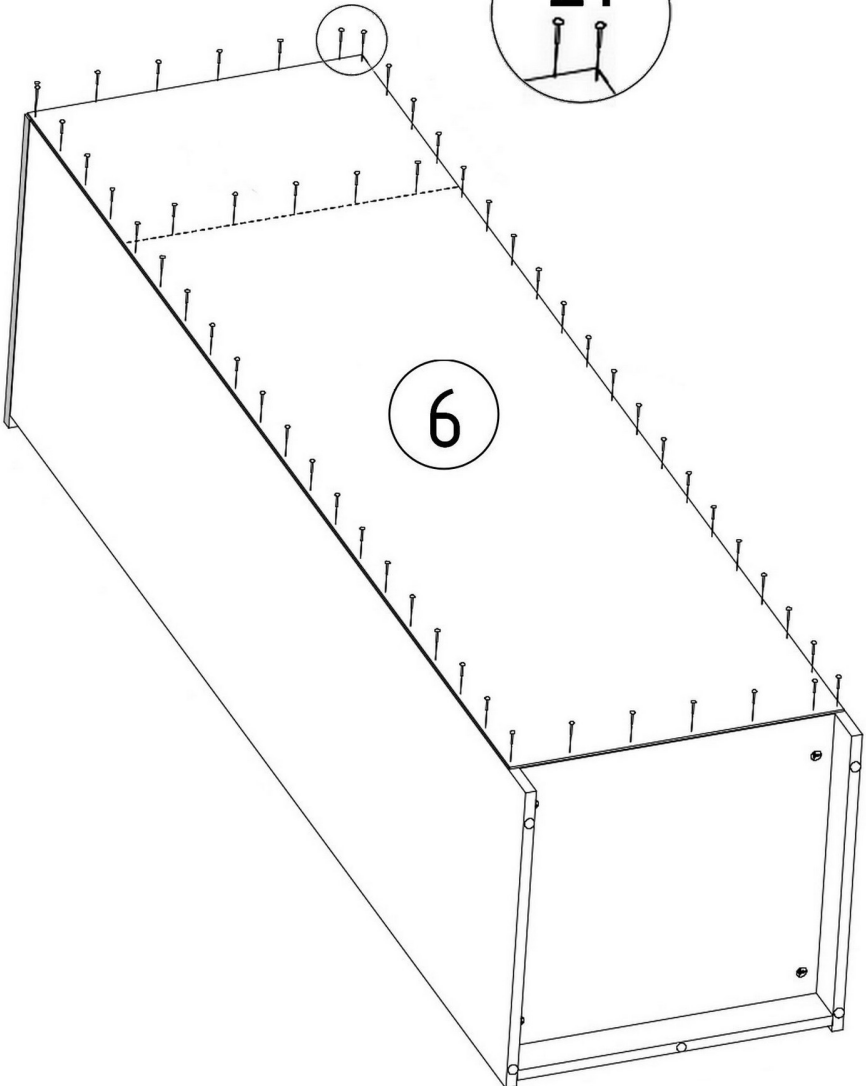
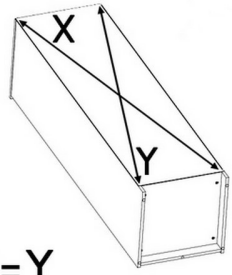
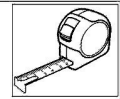
**T1**





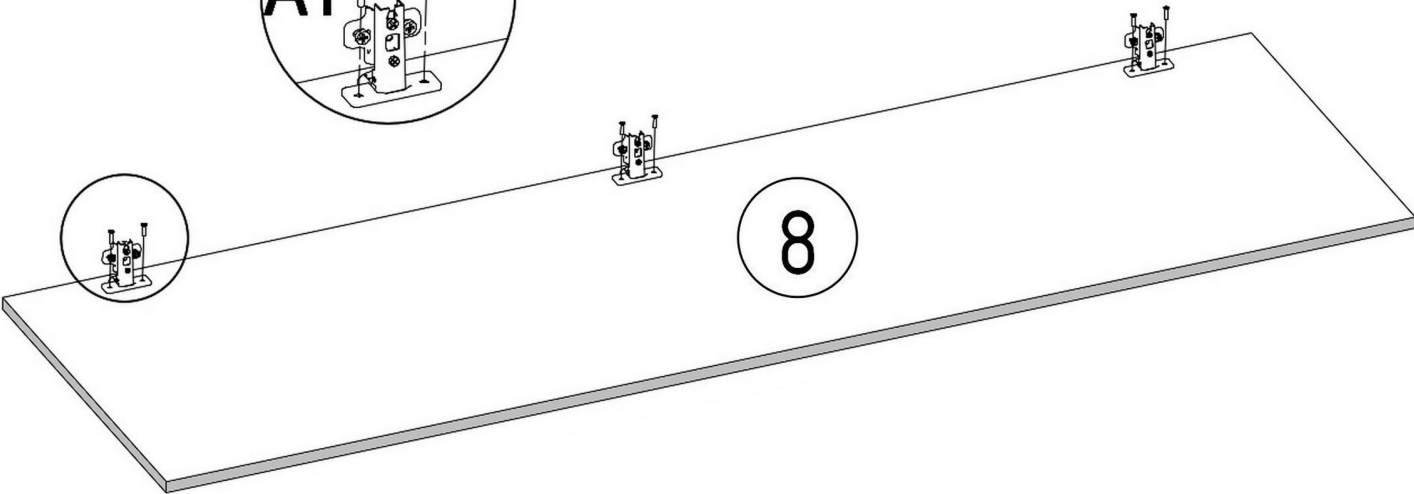
Z1  
x80

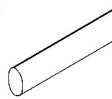

Z1

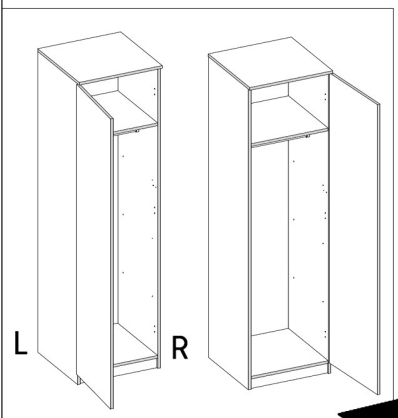
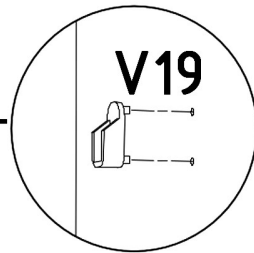
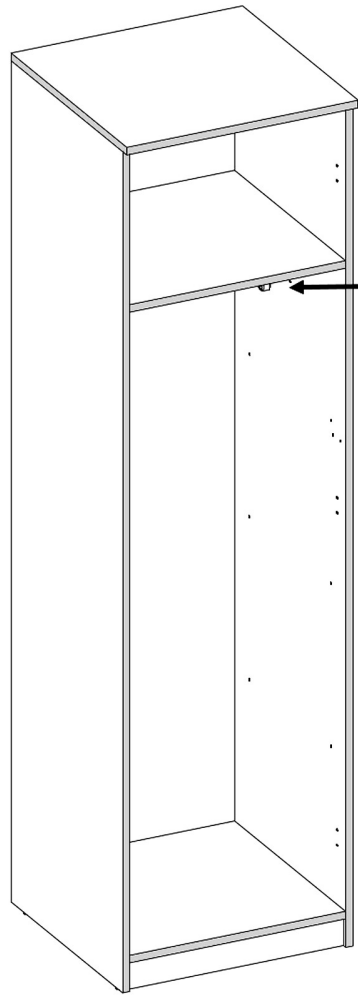
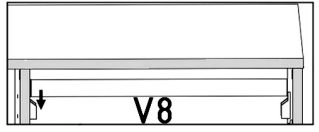



A1  
S1  
ZP x3 3,5x16mm x6

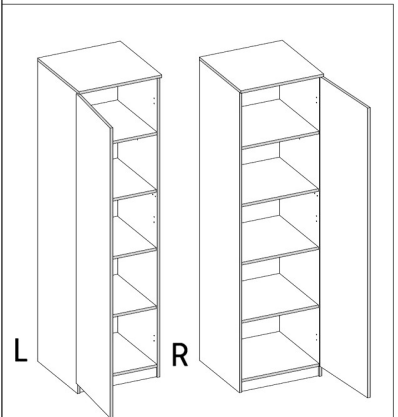
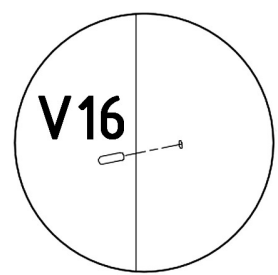
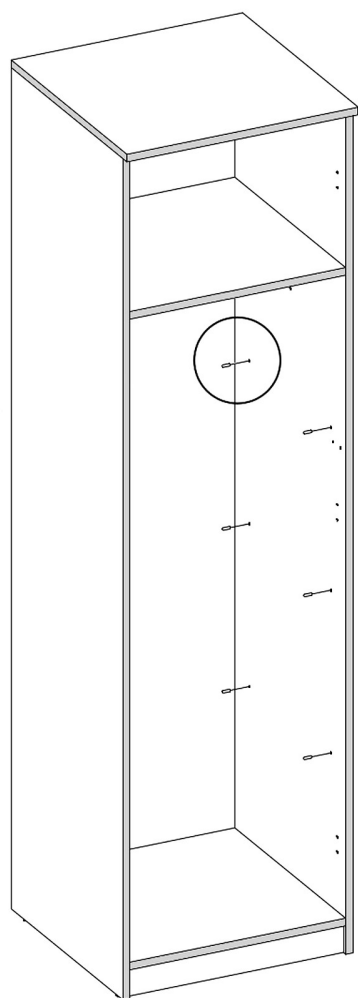
A1 S1

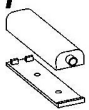




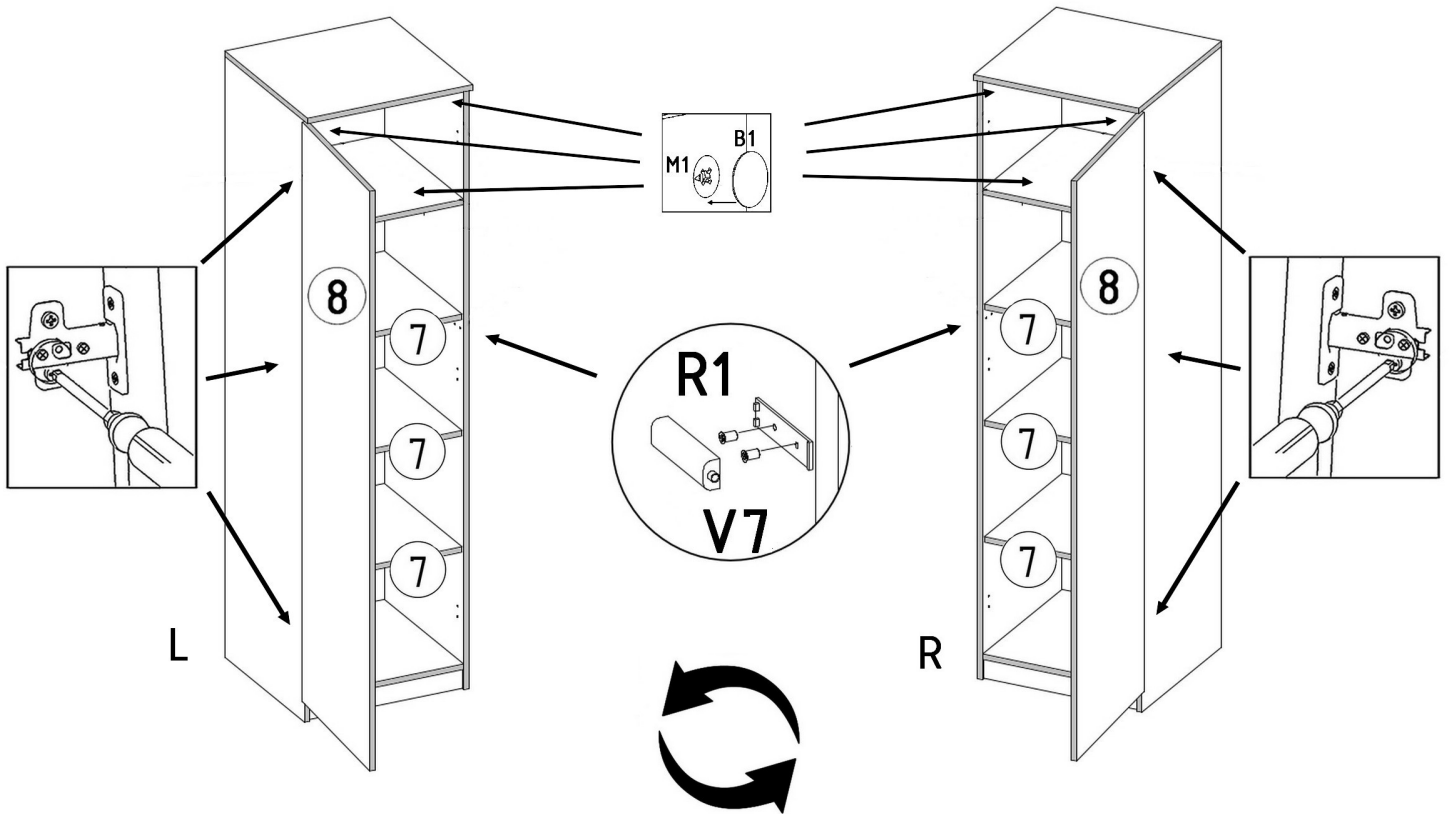
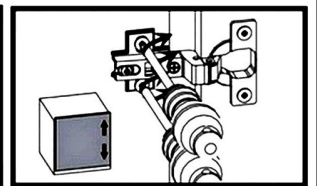
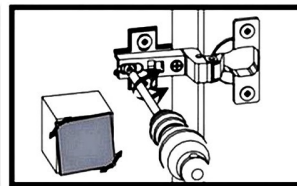
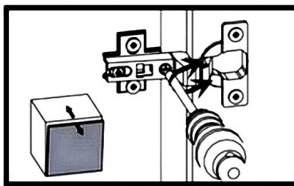
<b>V8</b>  L=455mm x1	<b>V19</b>  x2
--	--

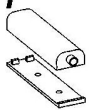




<b>V16</b>  5x16mm x12
--



<b>V7</b>  x1 6x8mm	<b>R1</b>  x2 ø17/4mm	<b>B1</b>  x8
--	---	---



<b>V7</b>  x1 6x8mm	<b>R1</b>  x2 ø17/4mm	<b>B1</b>  x8
---	--	--

