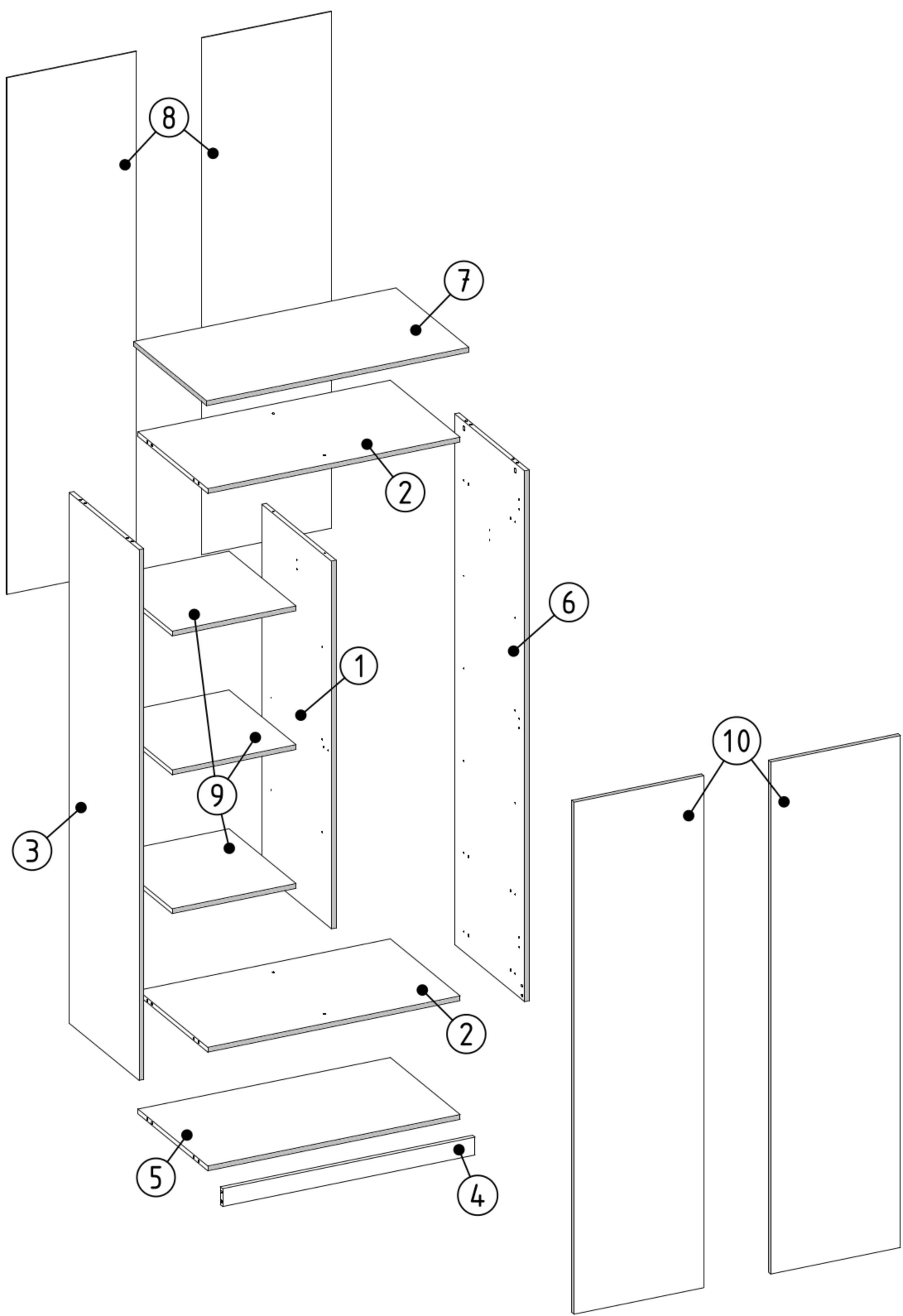
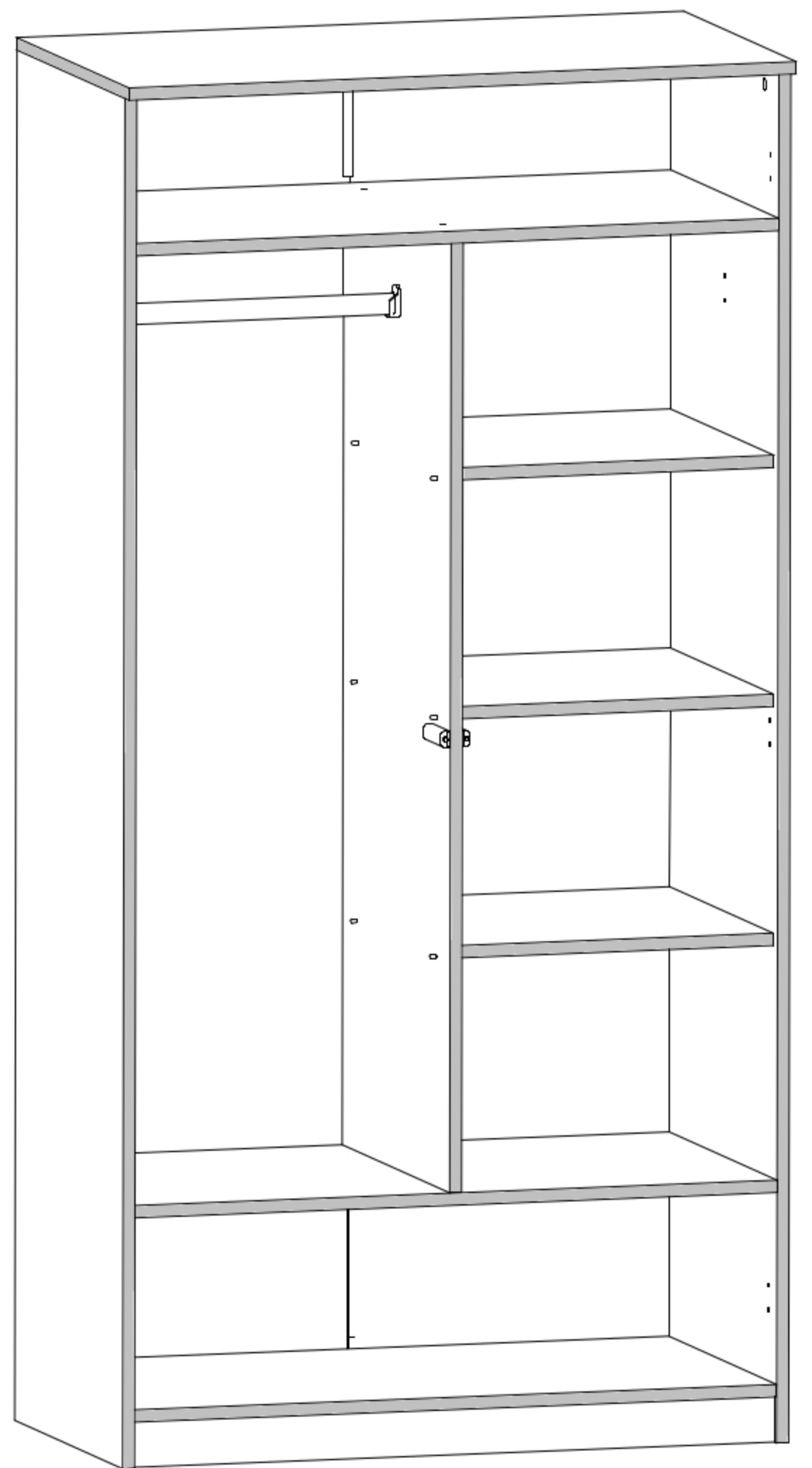
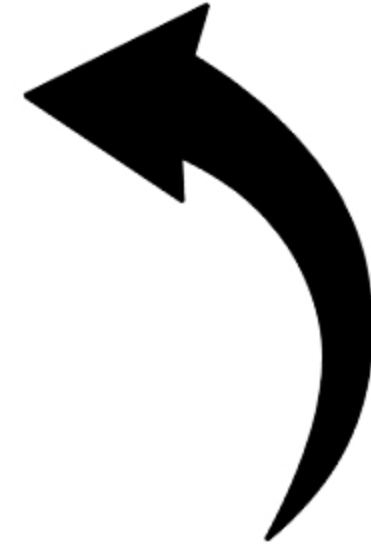


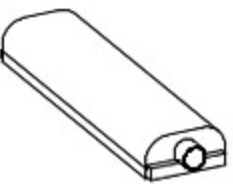


S5 2,5x20 x 5	Z4 x 5	N2 L=35mm x 16	M3 12x15mm x 16	M2 ø16mm x 12	S1 3,5x16mm x 12	S15 6x8mm x 4	U4 x 2	F2 7x50mm x 4	K1 x 1	K2 x 1
T1 x 6	Z2 x 80	A0 ZP x 6	E1 8x30mm x 20	T4 x 2	U5 L=414mm x 1	D2 L=16mm x 12	L8 L=188mm x 1	L9 L=248mm x 1		

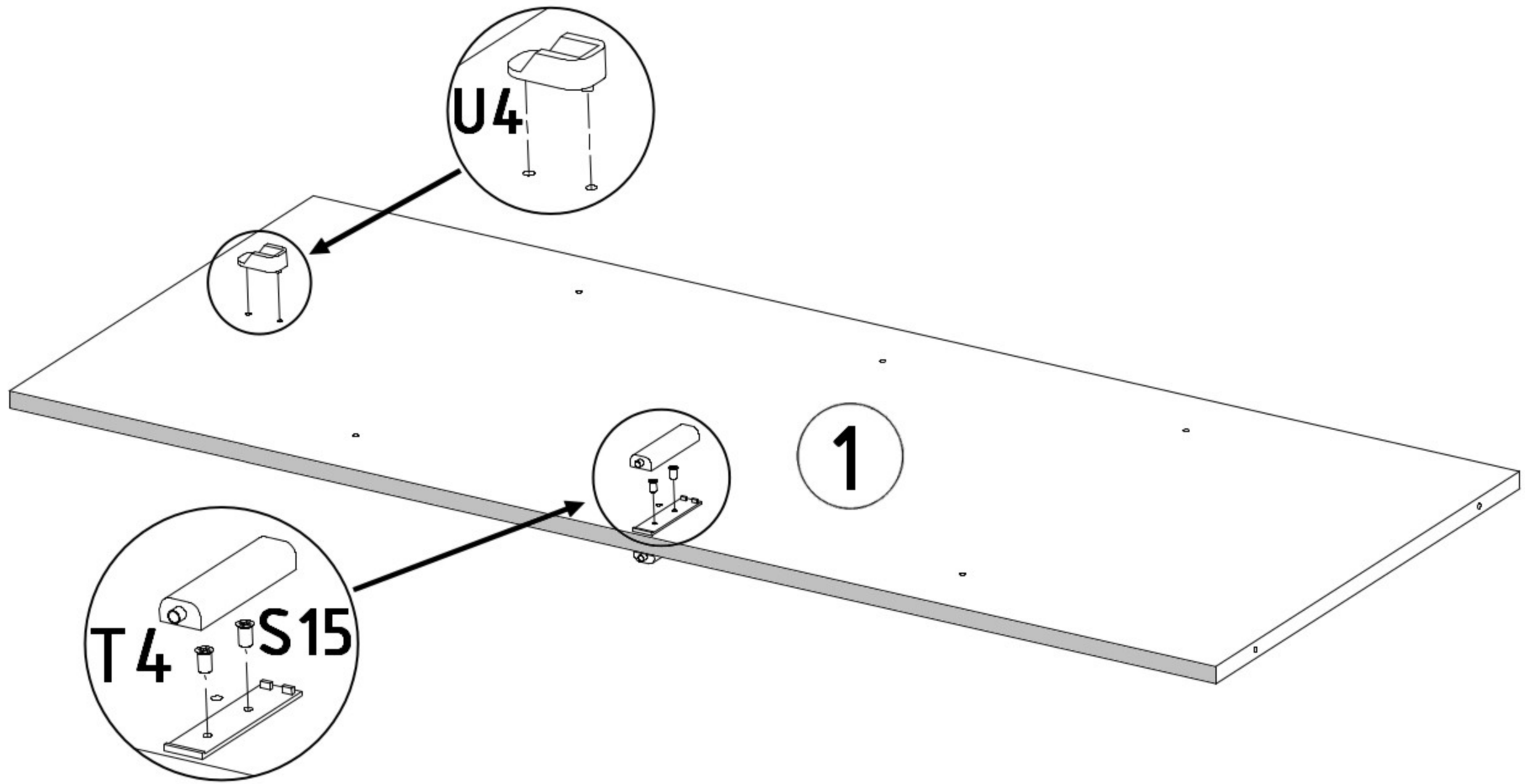


1	x	1
2	x	2
3	x	1
4	x	1
5	x	1

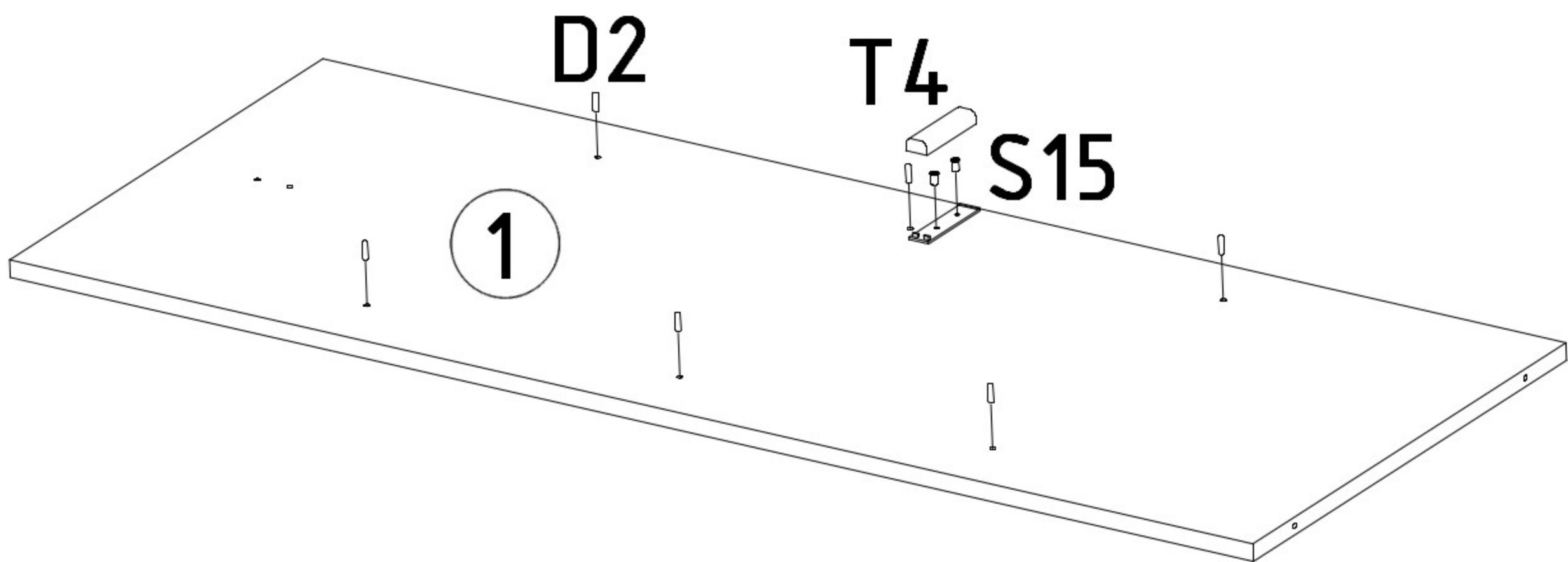
6	x	1
7	x	1
8	x	2
9	x	3
10	x	2

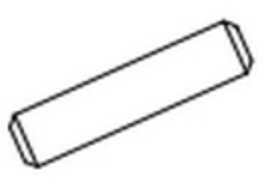



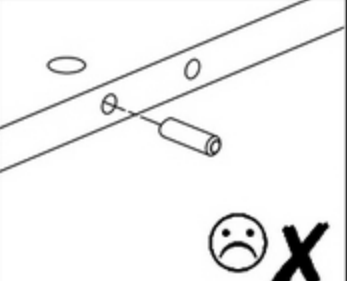
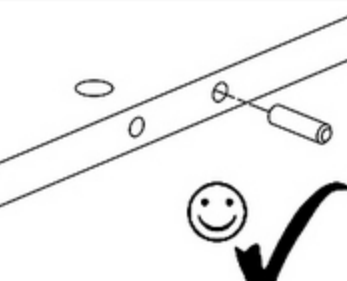
T4  x 1	S15  x 2	U4  x 1
---	---	--

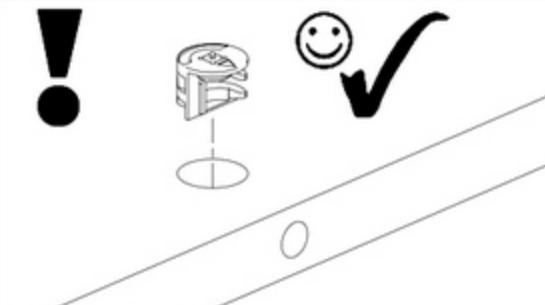
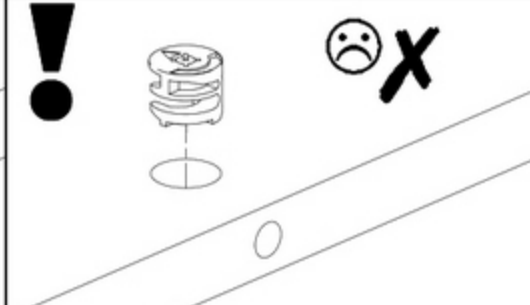


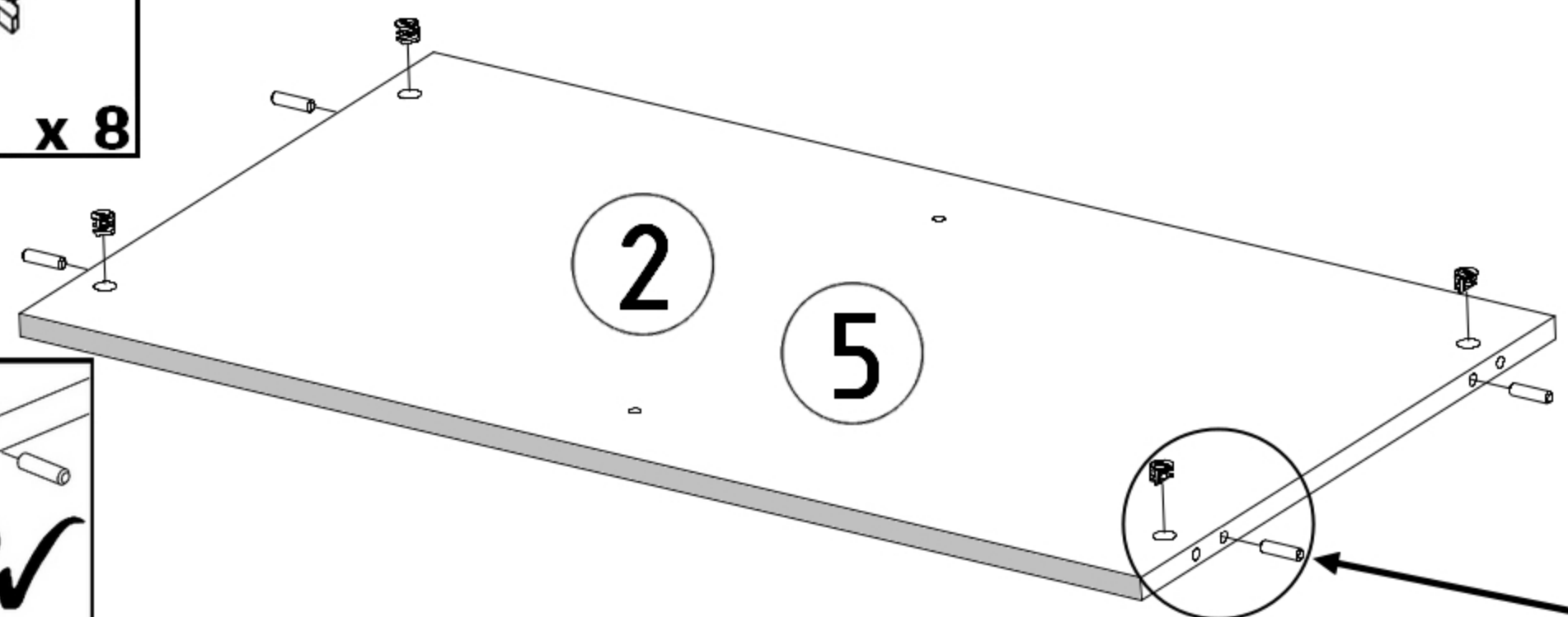
T4  x 1	S15  x 2	D2  x 6
---	---	--



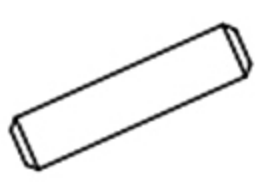

E1  x 8	M3  x 8
---	--

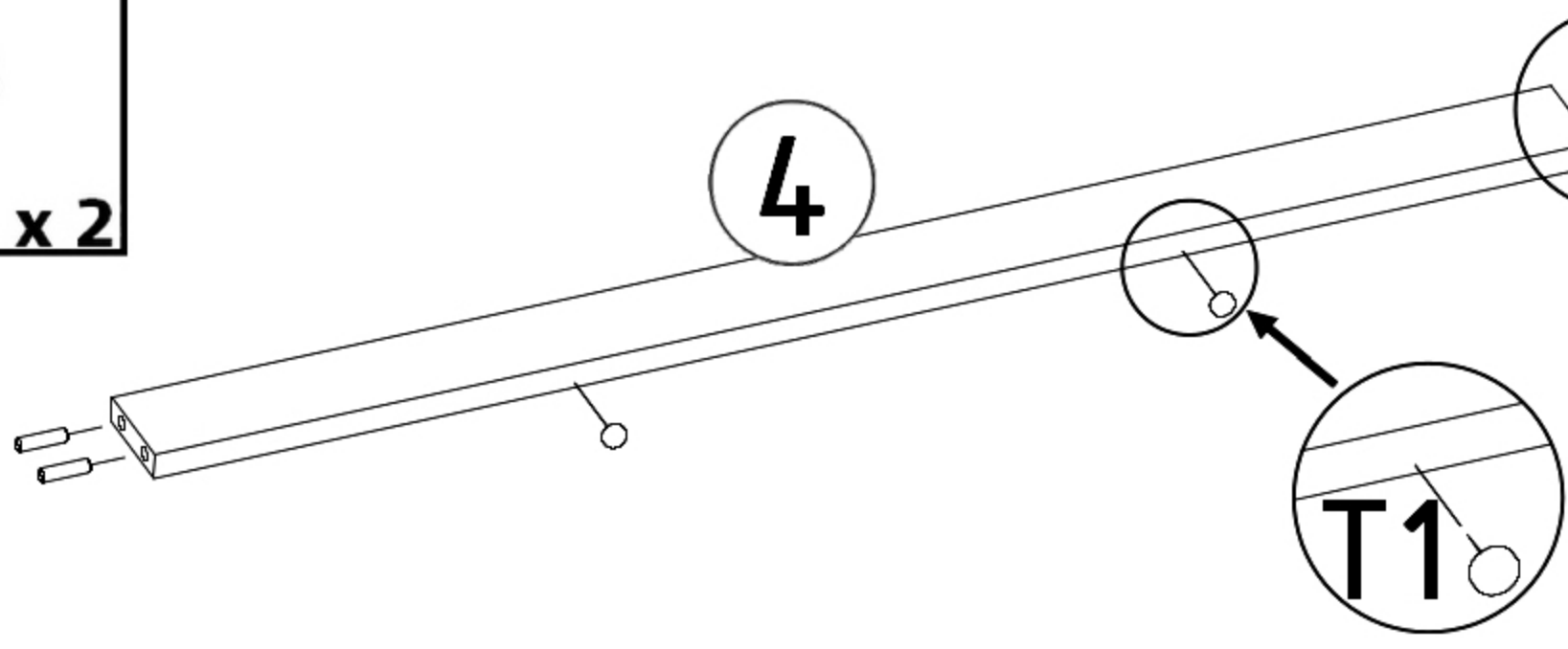
 ☹️ X	 ☺️ ✓
--	---

 ! ☺️ ✓	 ! ☹️ X
--	---




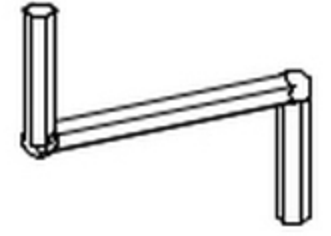
M3
E1
x3

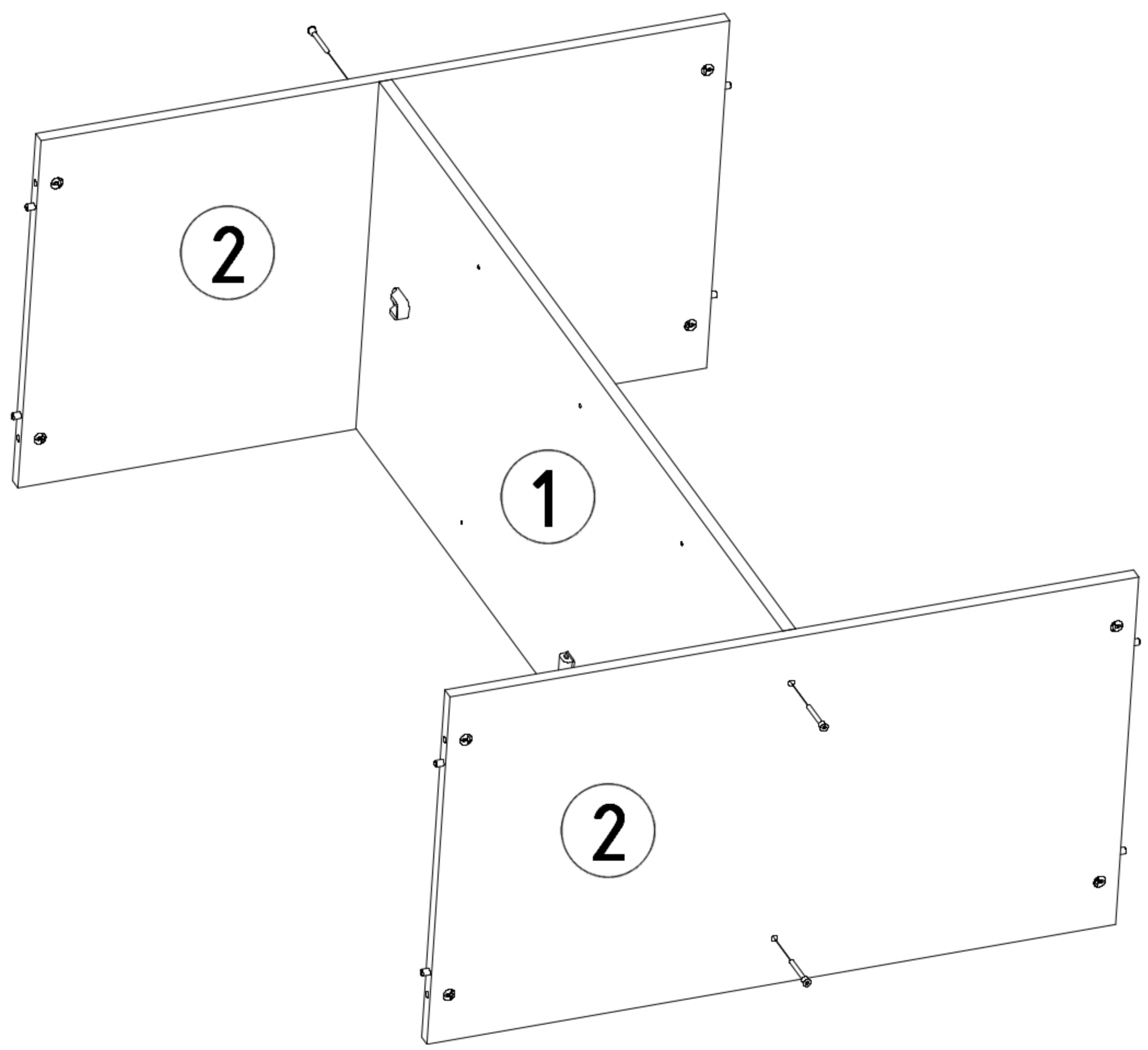
E1  x 4	T1  x 2
--	---





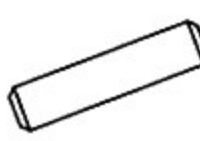


E1

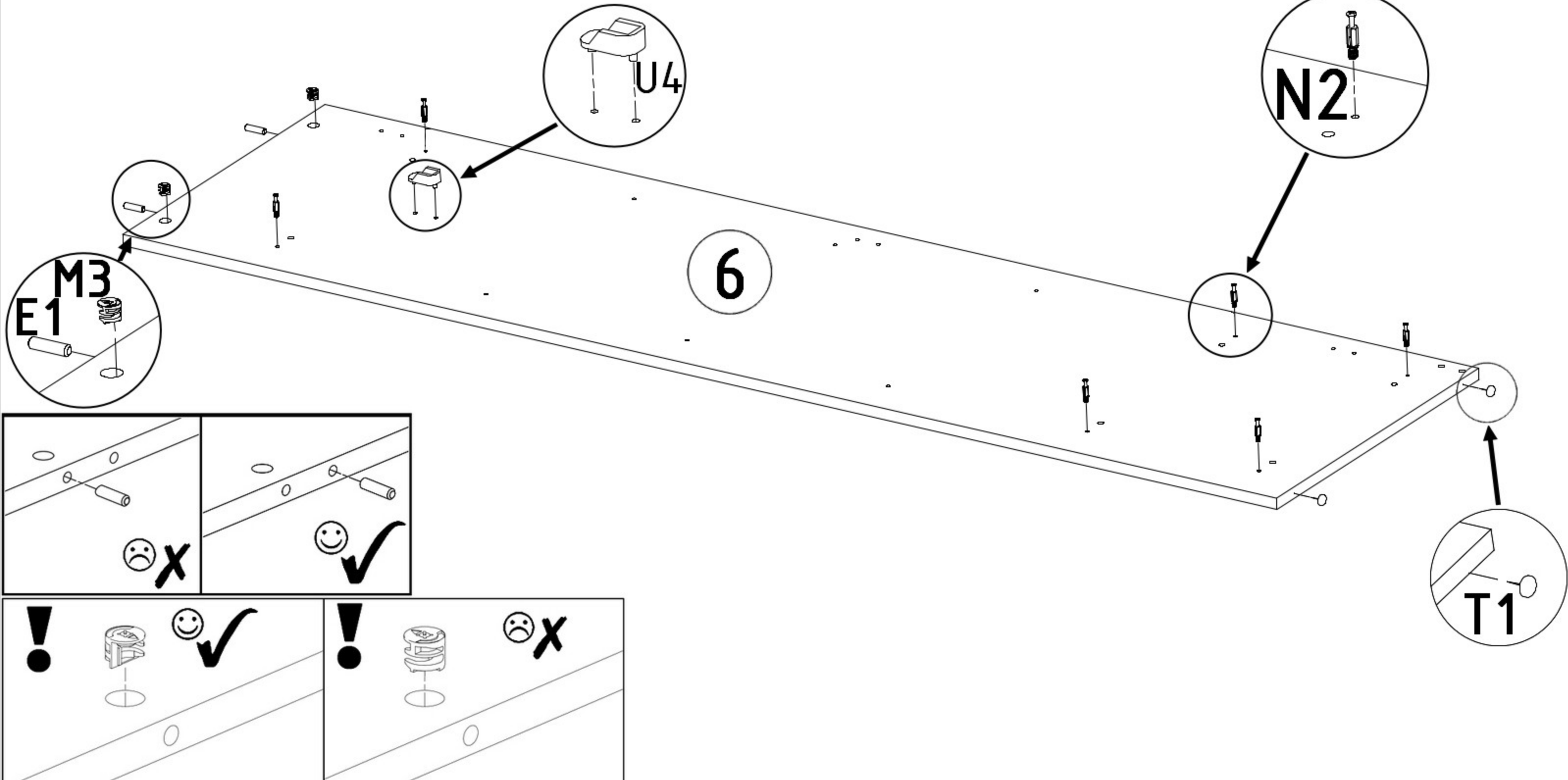
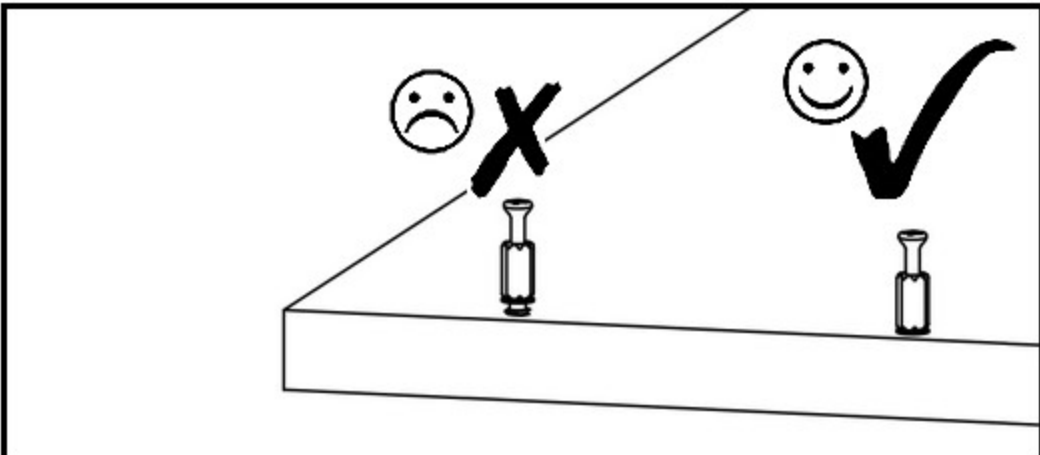
T1



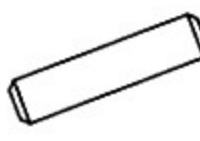

F2  x 4	K1  x 1
---	--

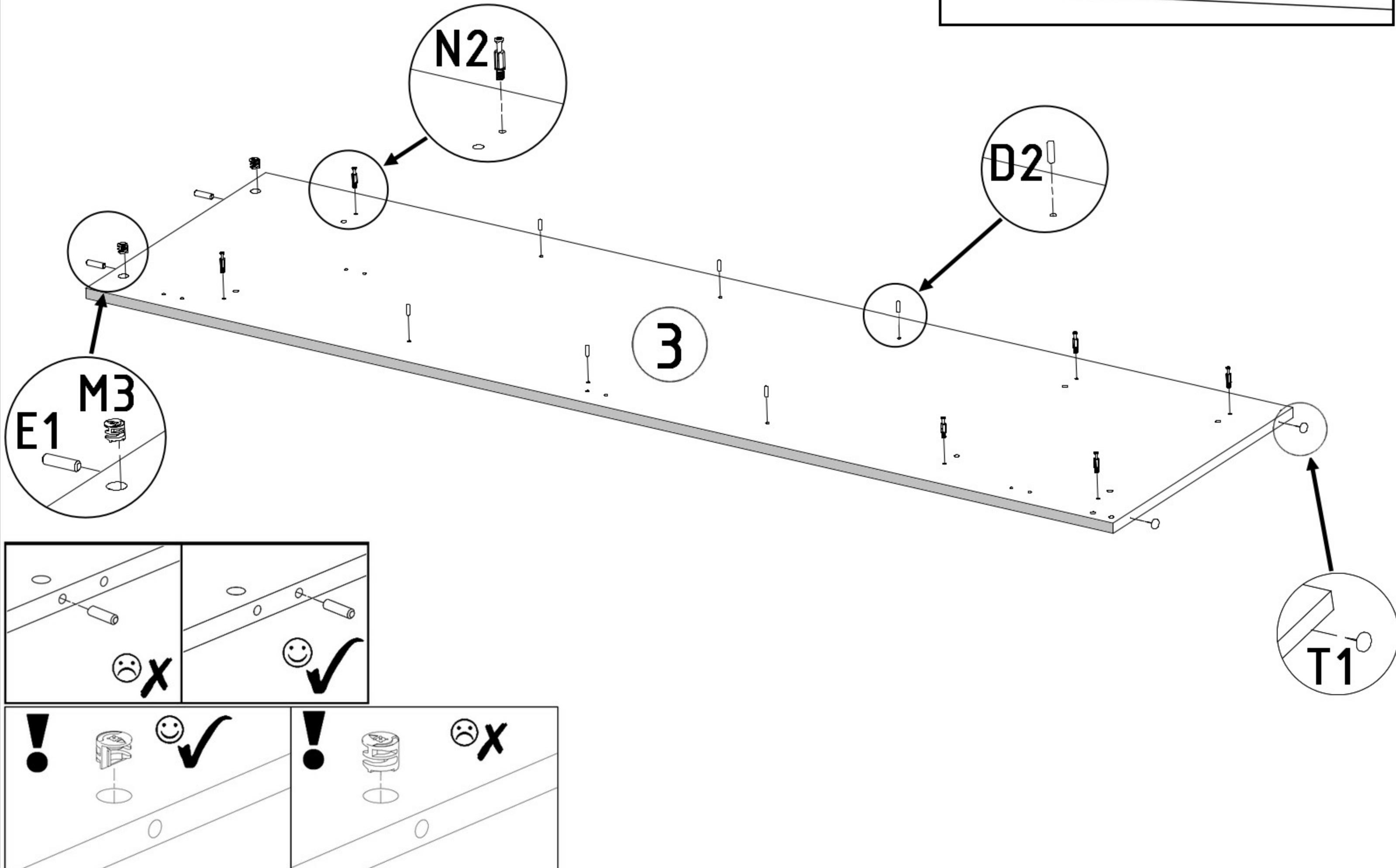
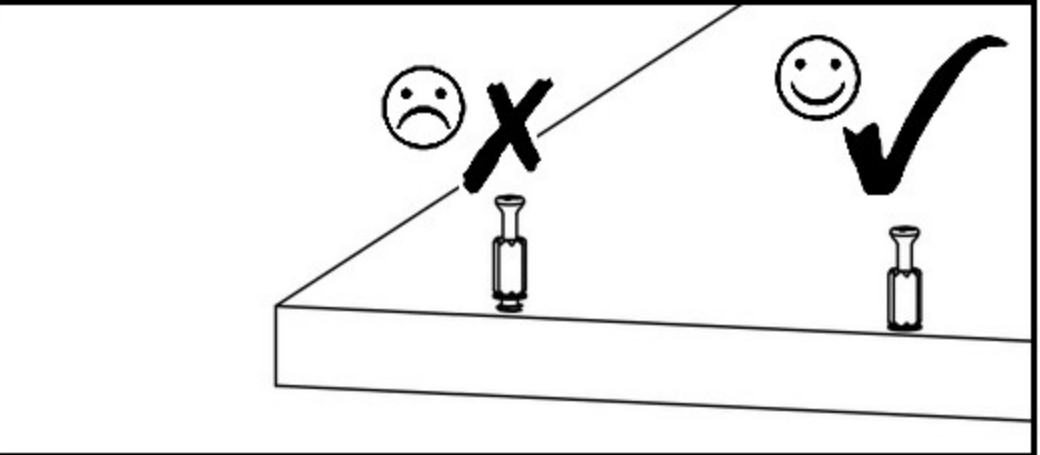


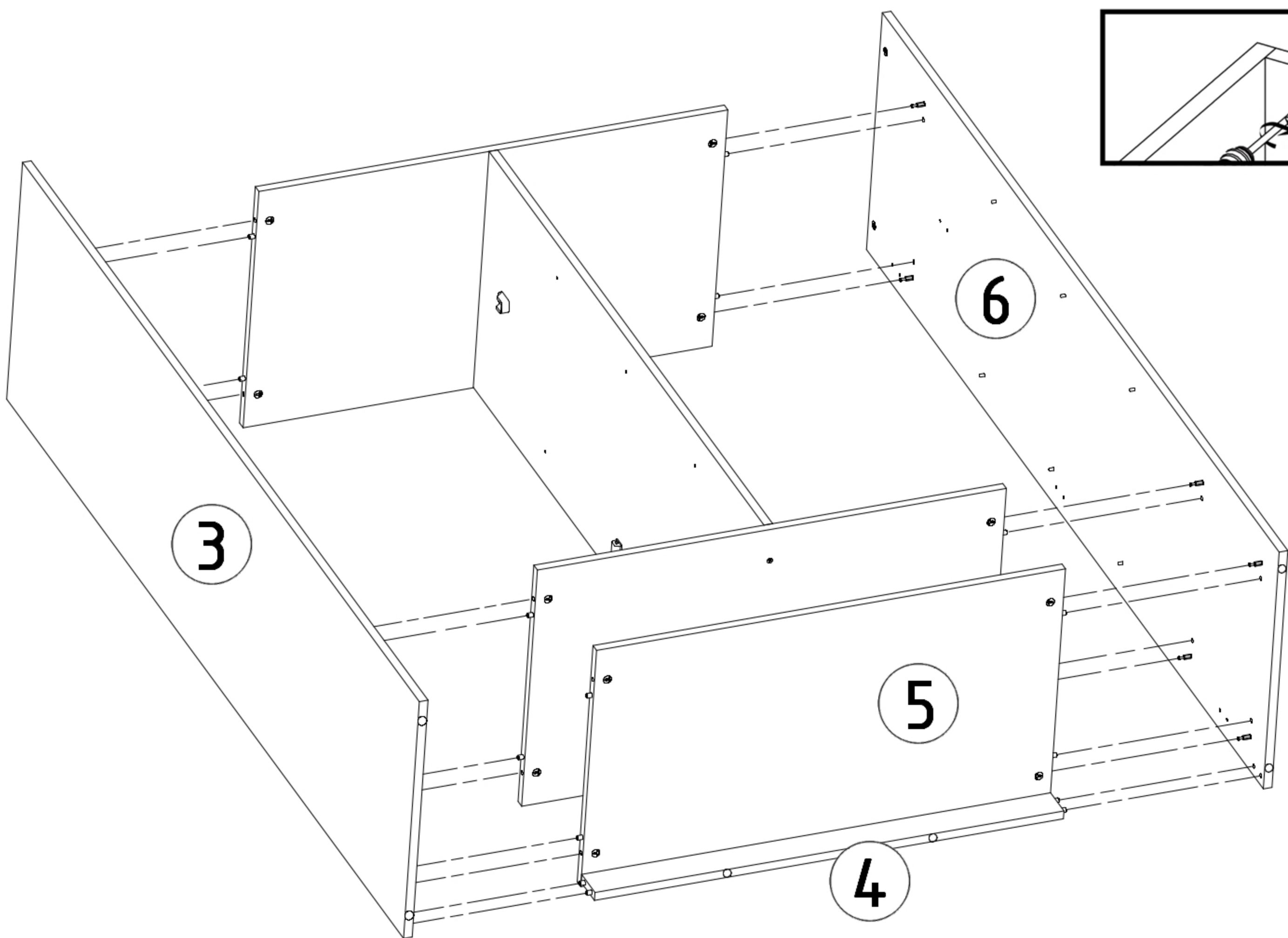
F2
K1

T1  x 2	M3  x 2	E1  8x30 x 2	N2  20,3 x 6	U4  x 1
--	---	---	---	---



T1  x 2	M3  x 2	E1  x 2	N2  x 6
--	---	---	---

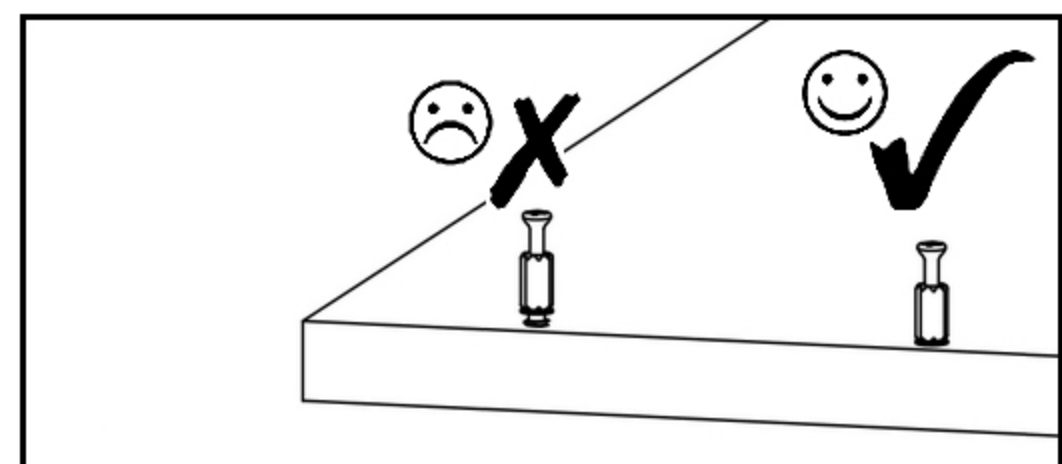
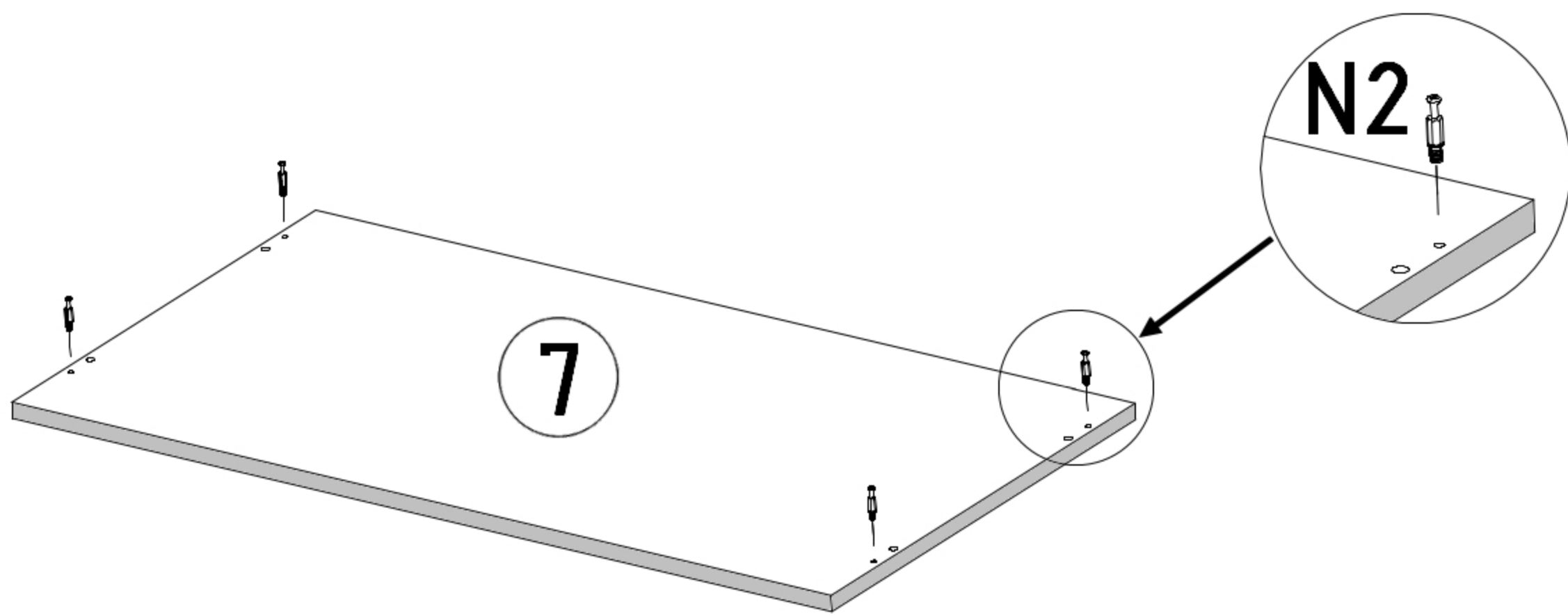




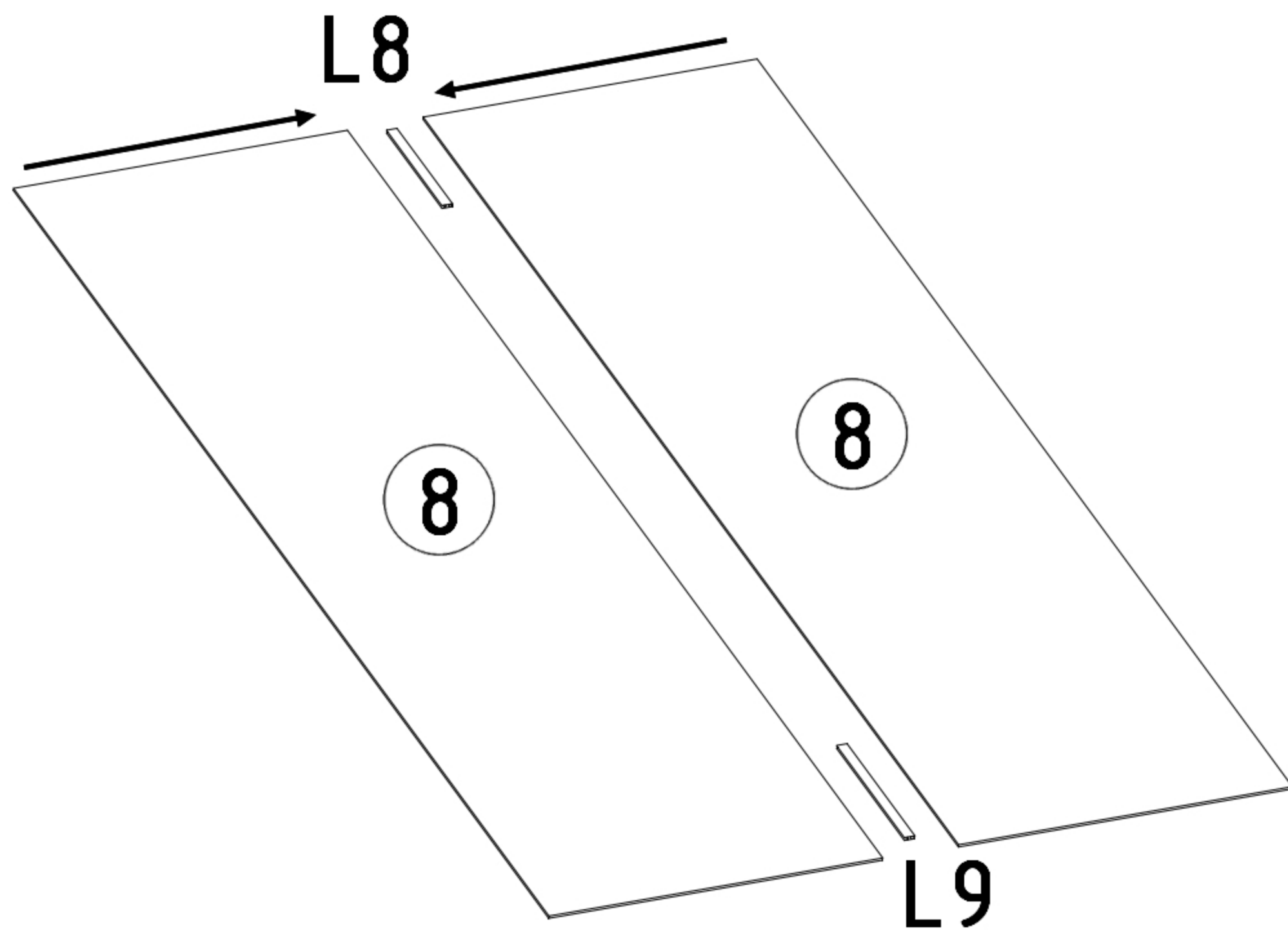
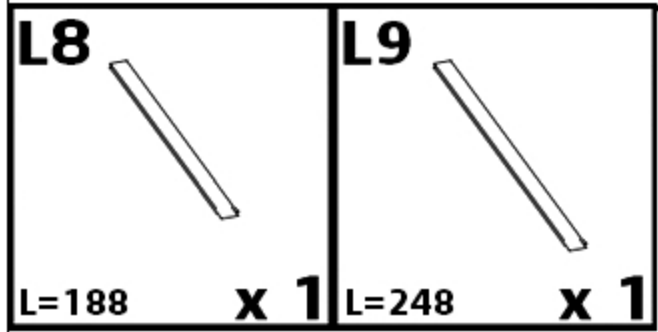
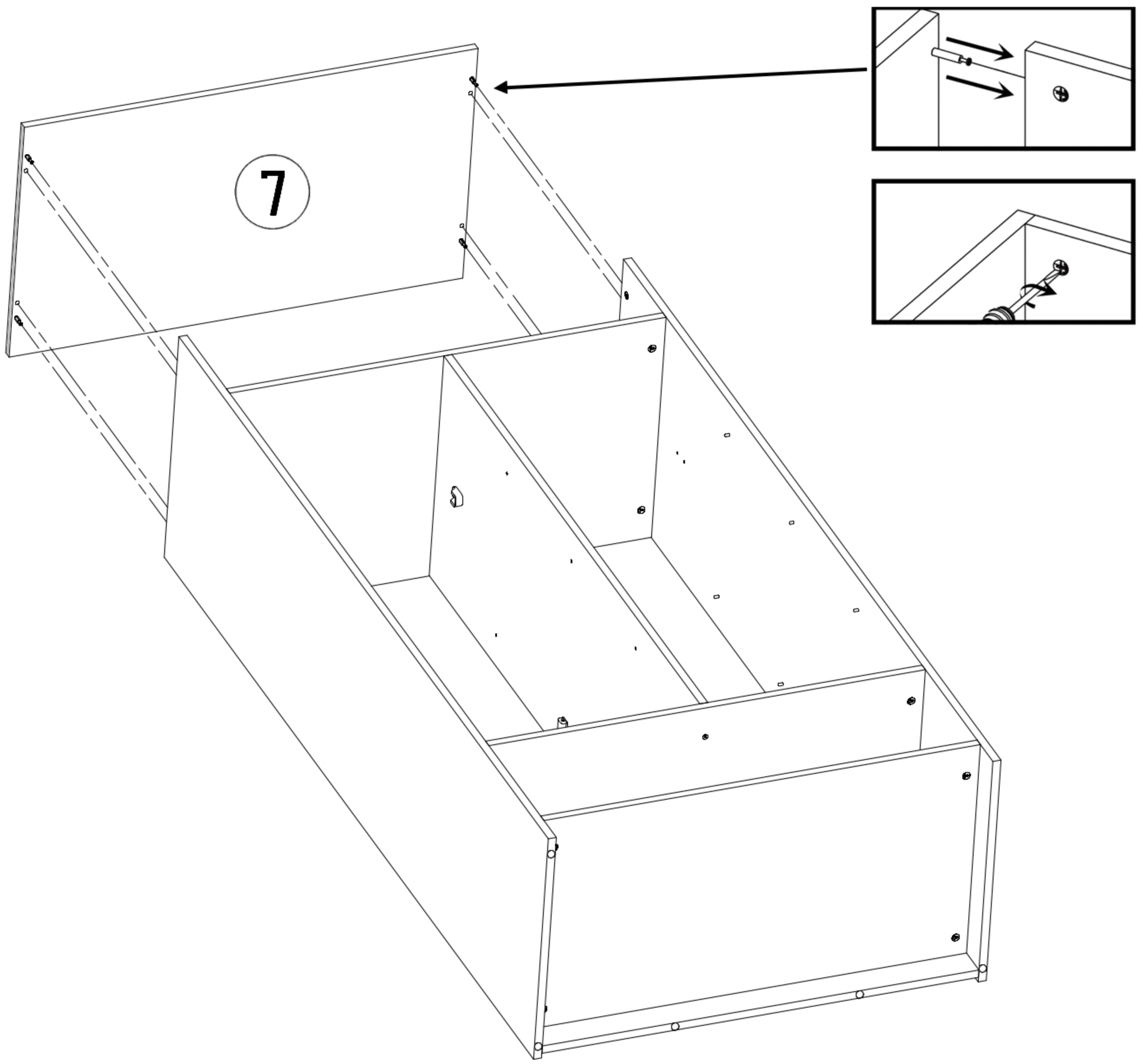
N2






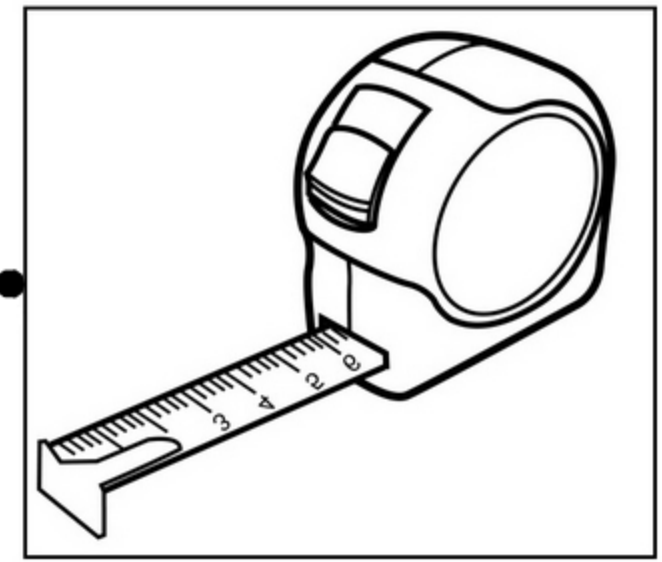
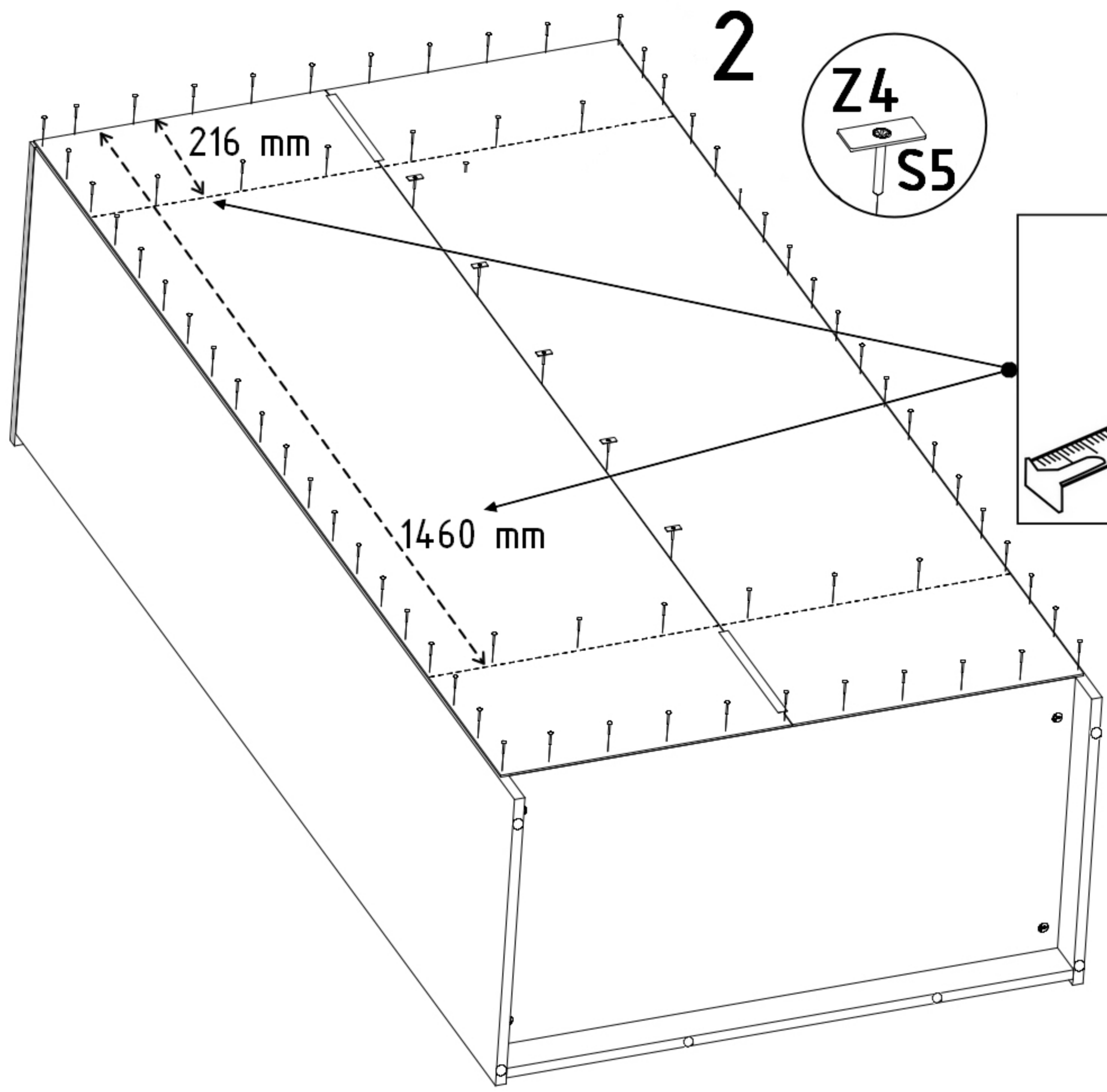
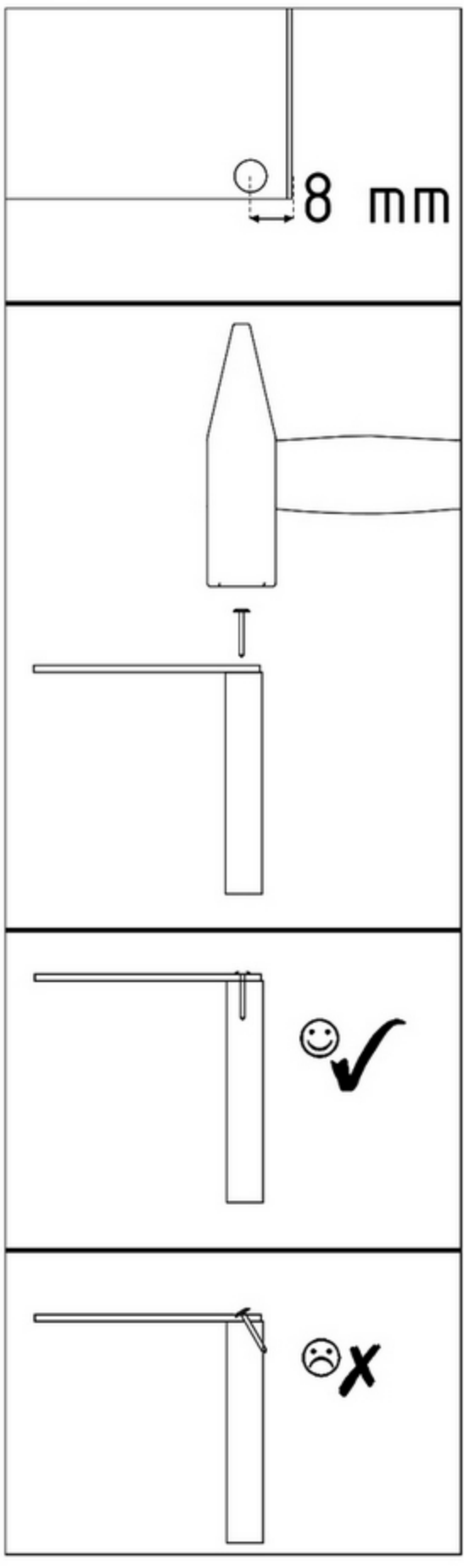
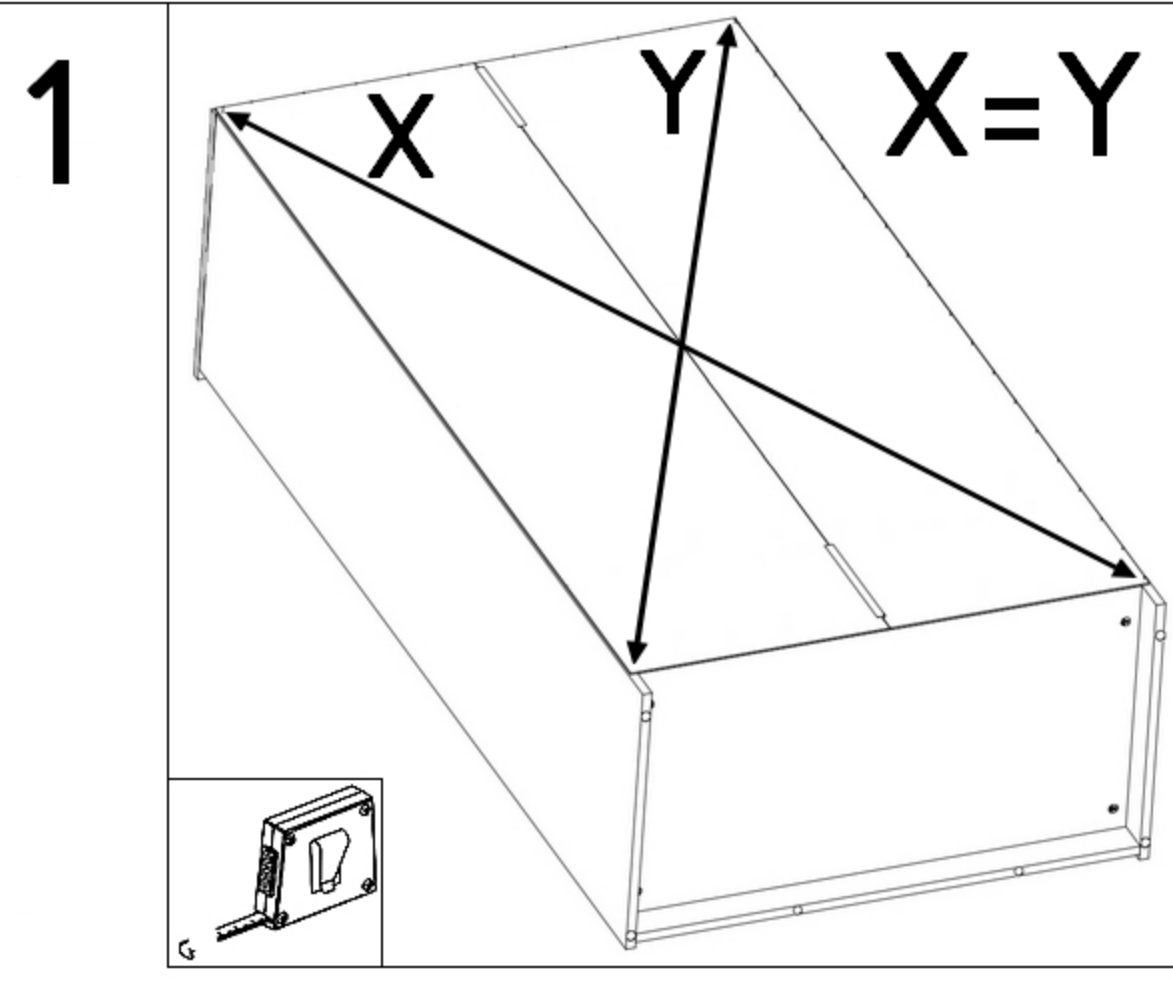
x 4


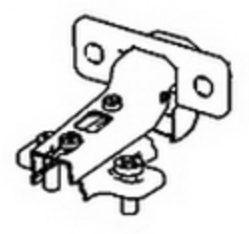


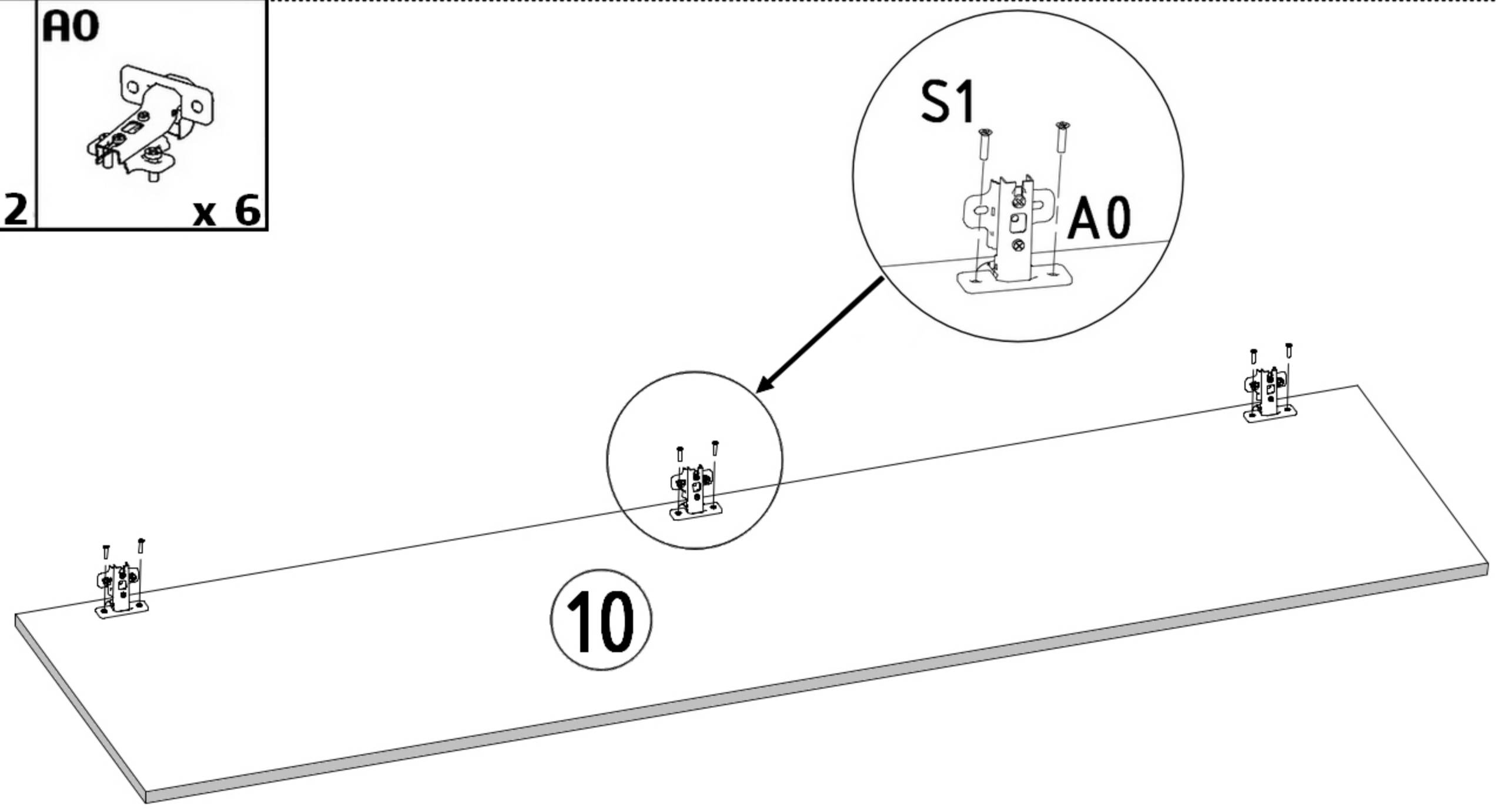
7






<p>S5</p>  <p>2,5x20 x 5</p>	<p>Z4</p>  <p>x 5</p>	<p>Z2</p>  <p>x 80</p>
--	---	--





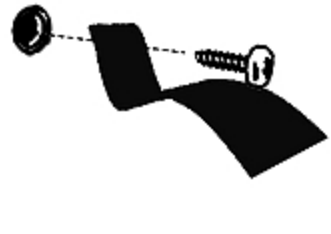
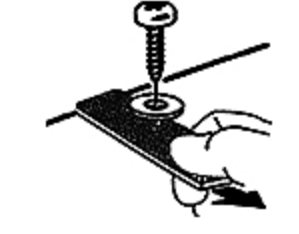


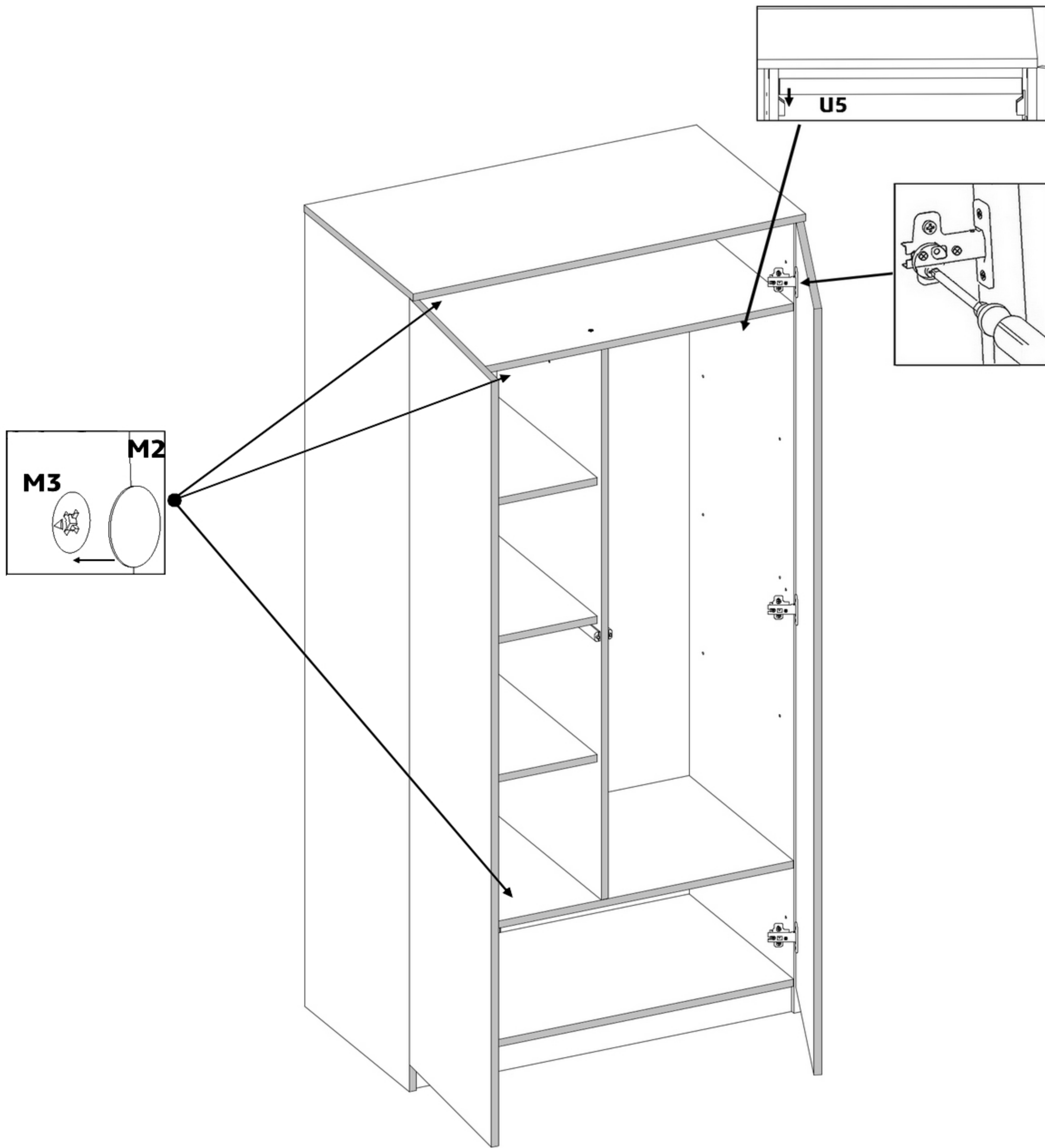
<p>S1</p>  <p>x 12</p>	<p>A0</p>  <p>x 6</p>
--	---

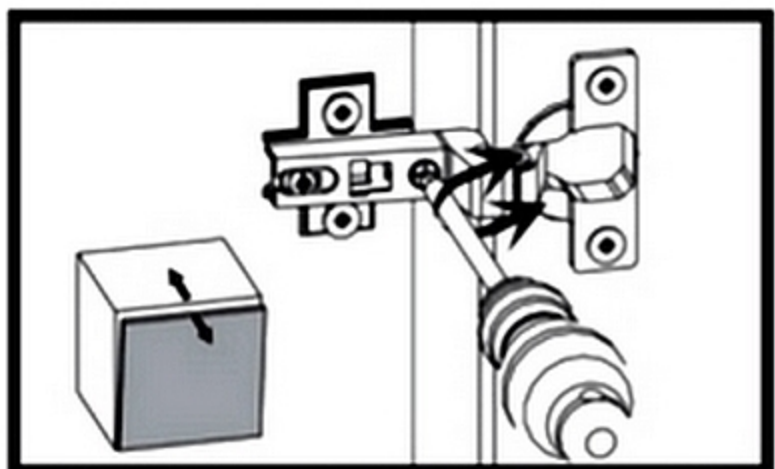
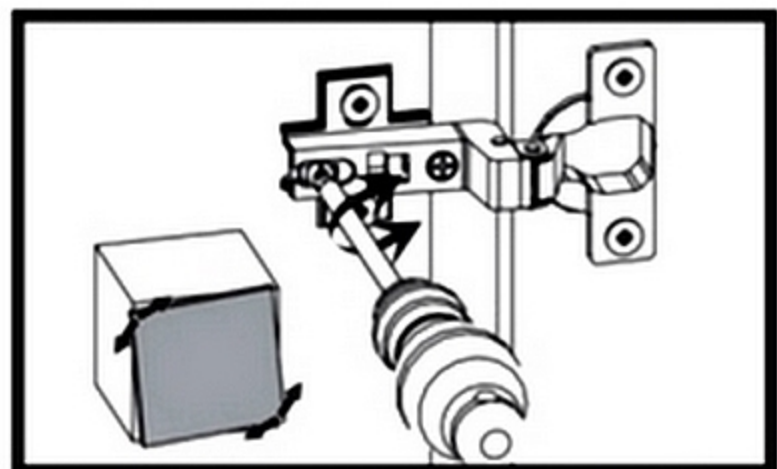
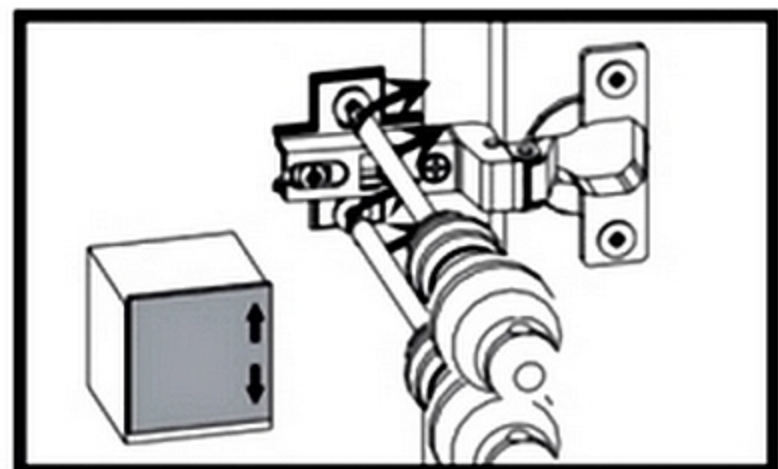


x 2

K2  x 1	U5  x 1	M2  x 12
---	--	---

				K2 	K2 
---	---	--	---	--	--



		
---	--	---