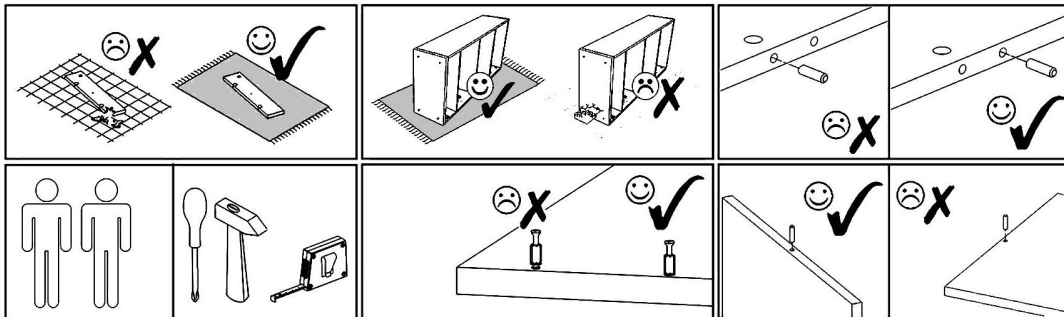
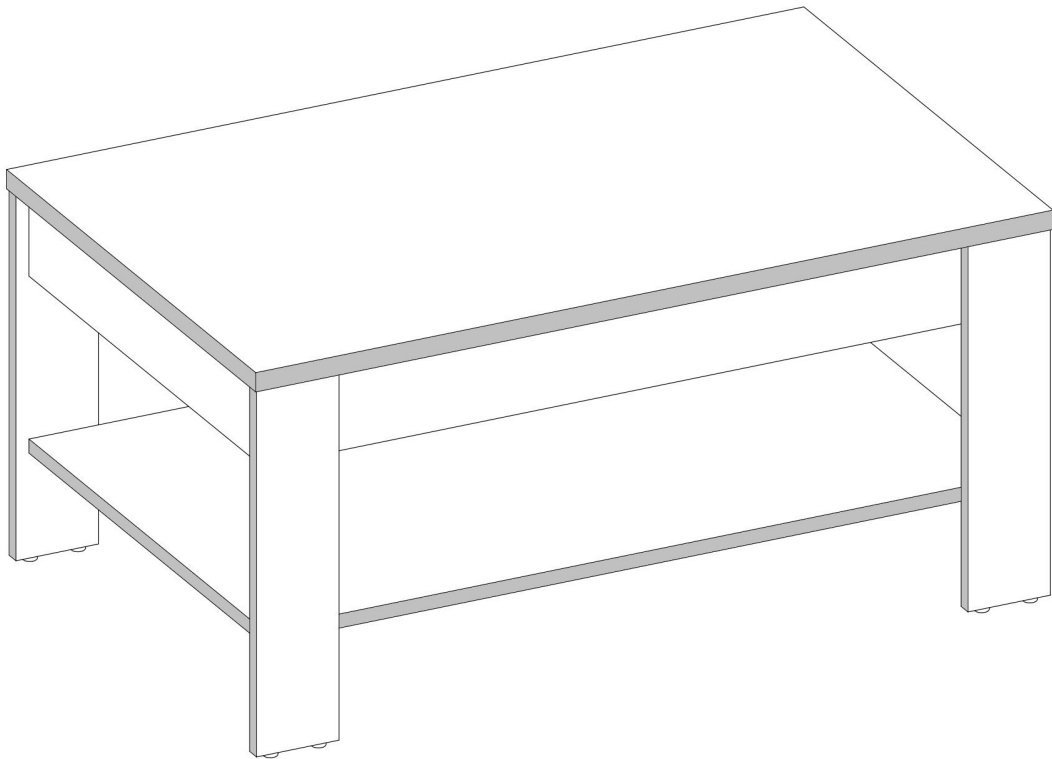


OHIO

PRODUCTION DATE

PACKING CODE



E1



8x30mm

x16

N1



L=35mm

x4

M1



12x15mm

x4

T1



x8

S1



3,5x16mm

x12

S2



4x27mm

x4

V25



x6

V12

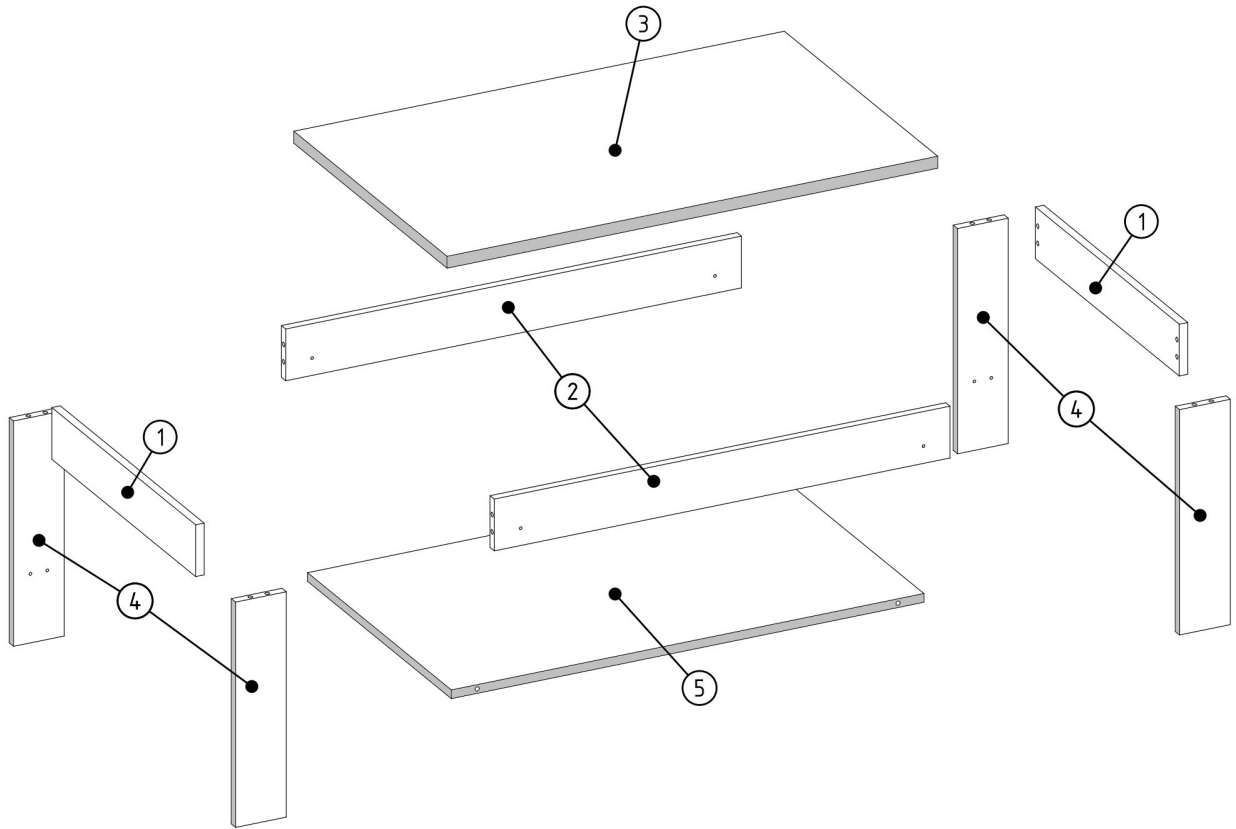


x1

IM250512

OHIO

PRODUCTION DATE	PACKING CODE

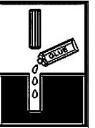


000434	5	1
001741	4	4
001700	3	1
001739	2	2
001740	1	2
ID	NUMBER	QUANTITY

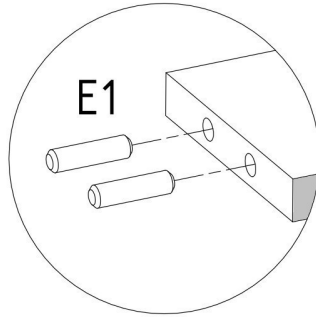
E1



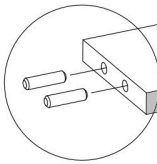
8x30mm x8



x2



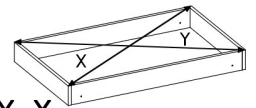
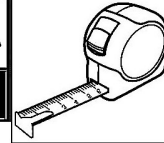
2



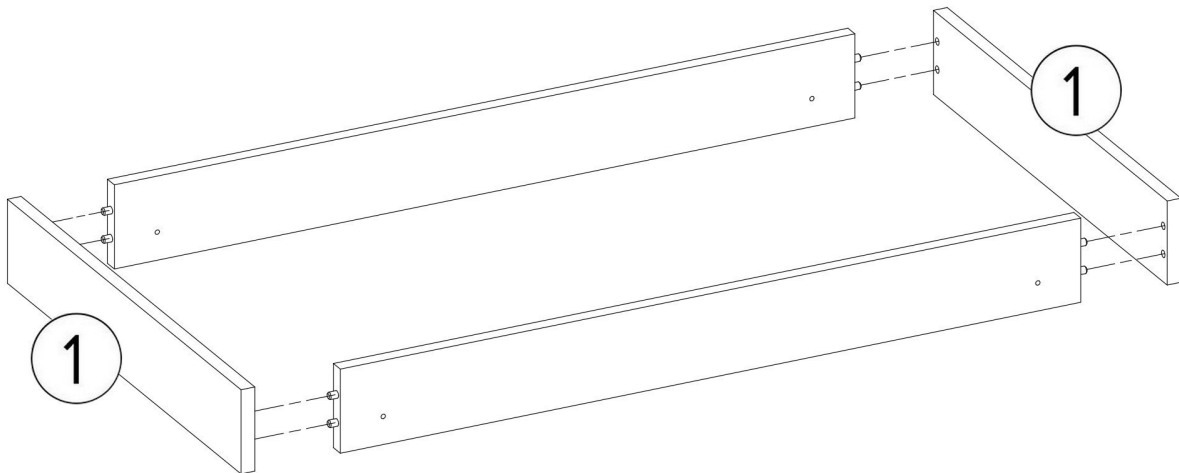
V12

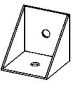



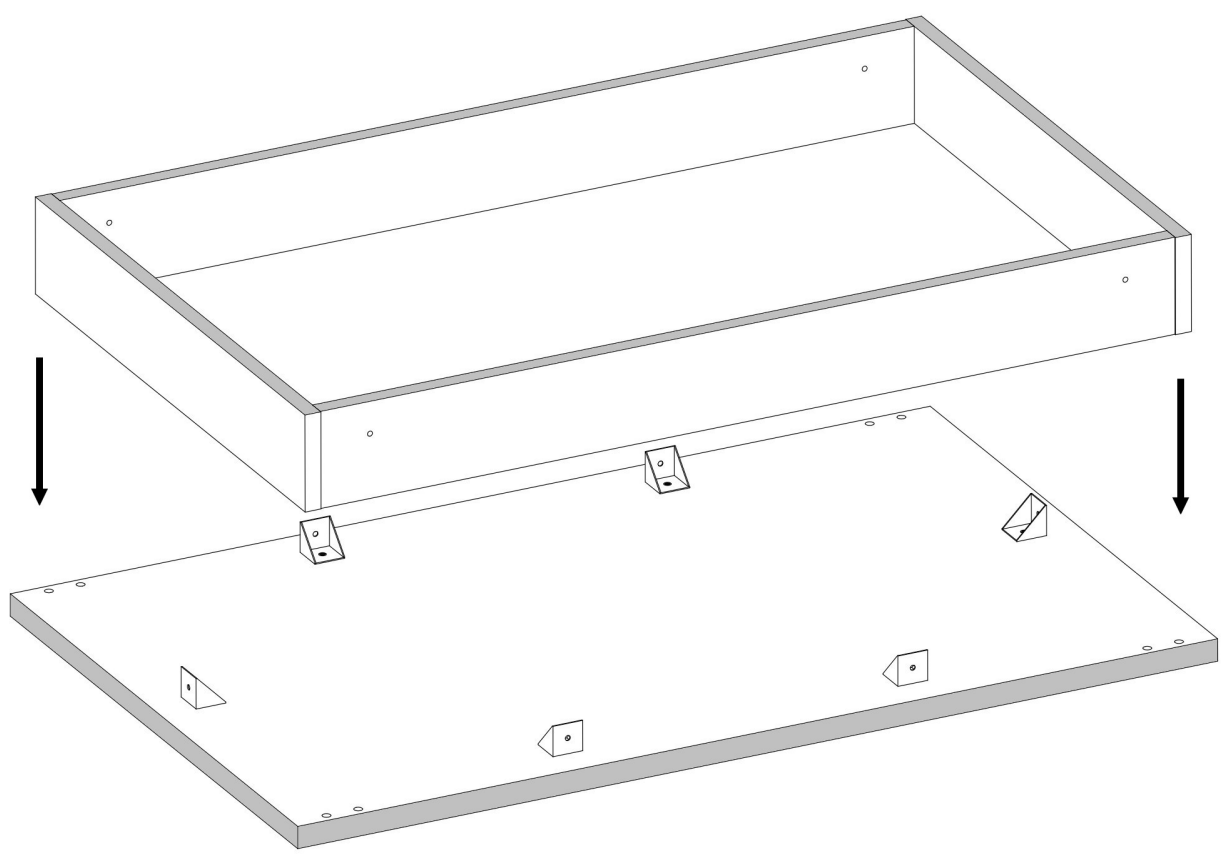
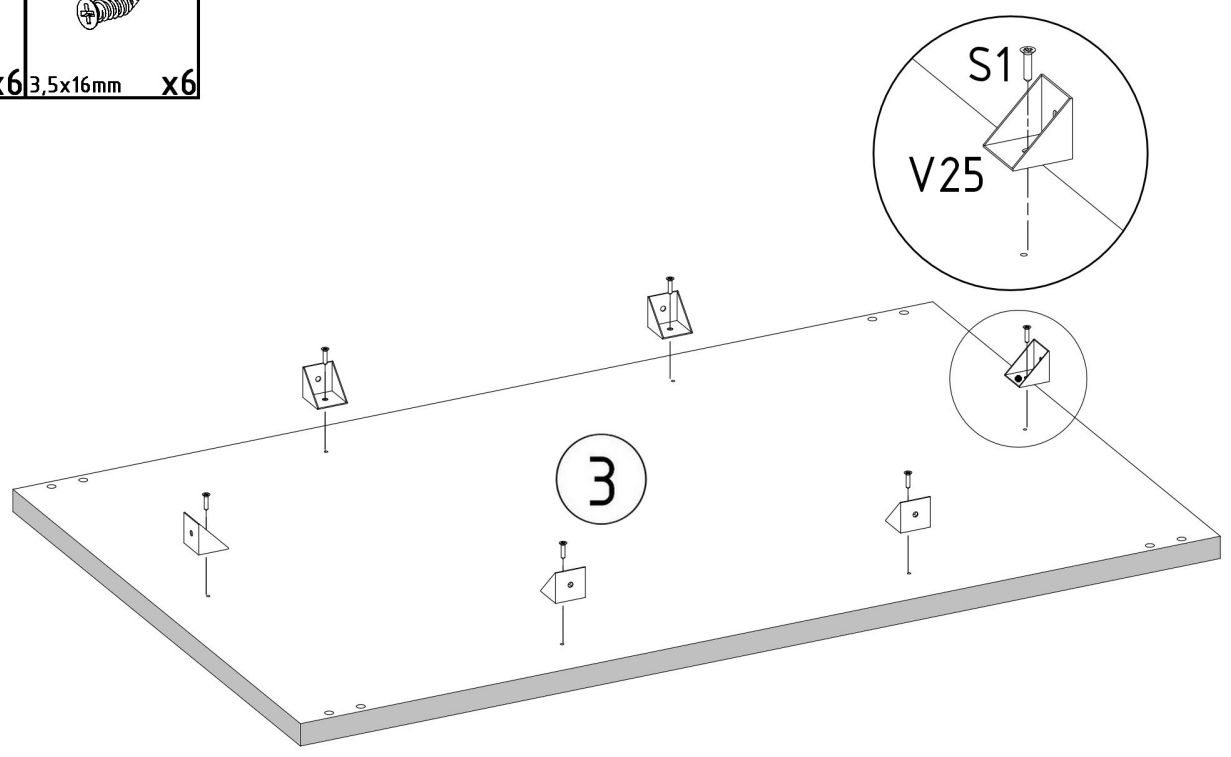
30min!




X=Y



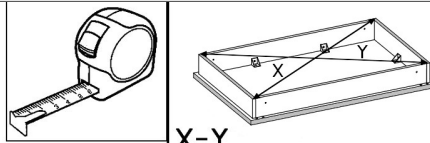
V25  x6	S1  3,5x16mm x6
--	--



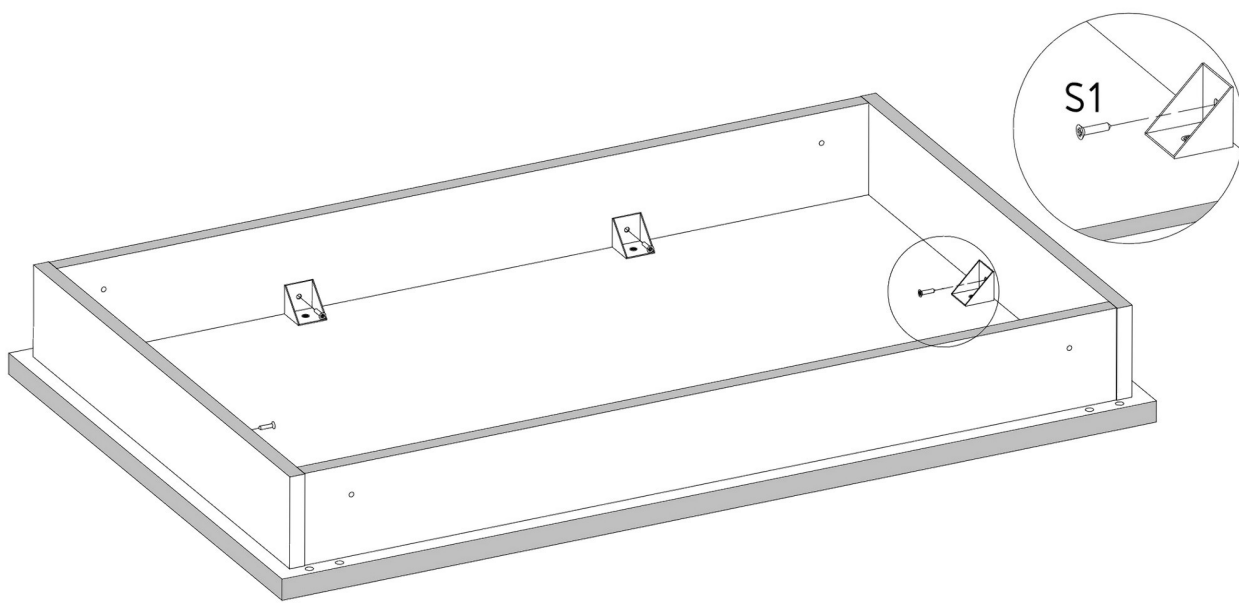
S1







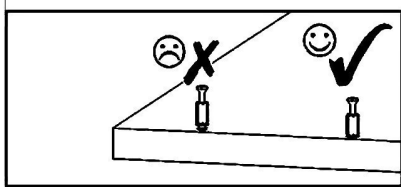
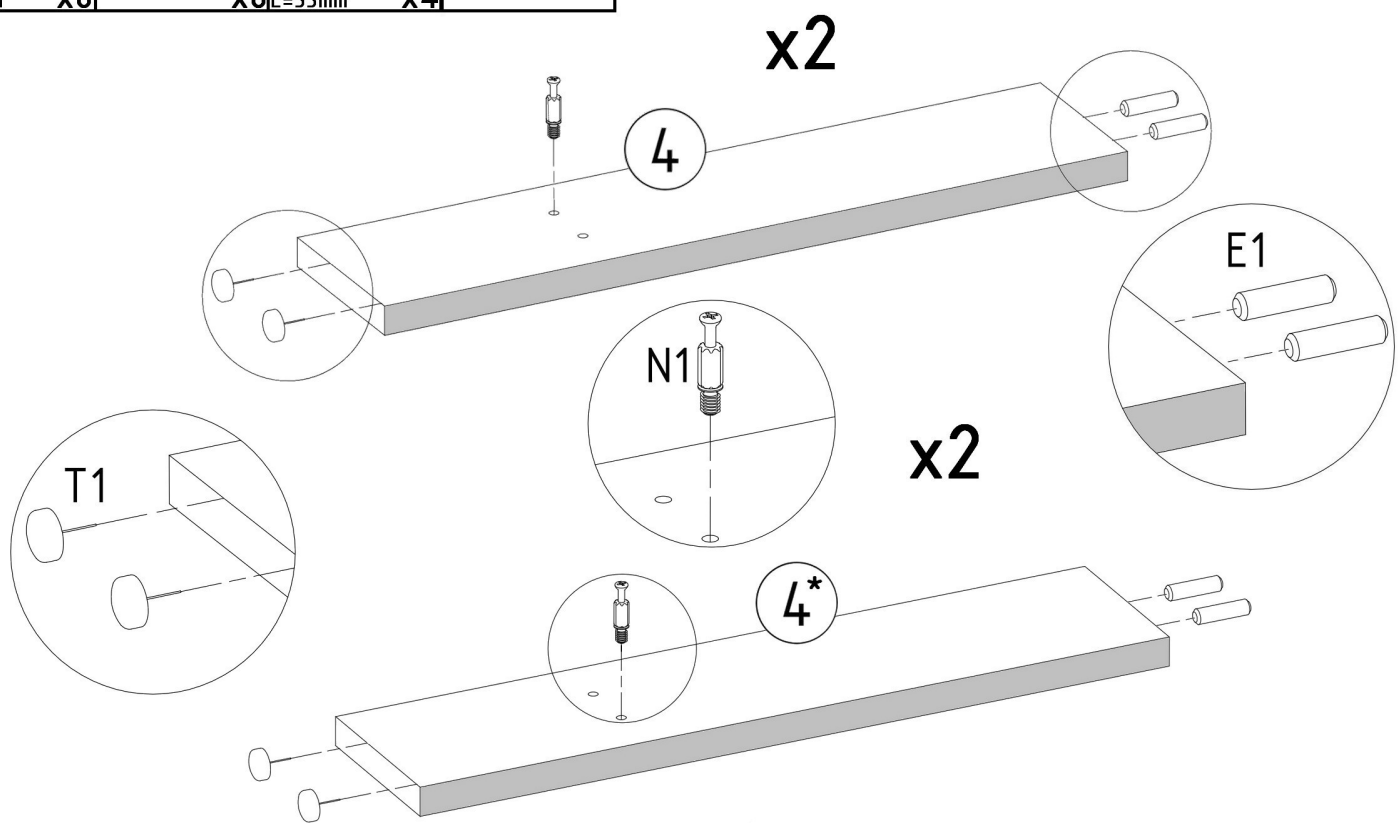
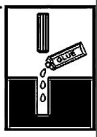
3,5x16mm **x6**




X=Y



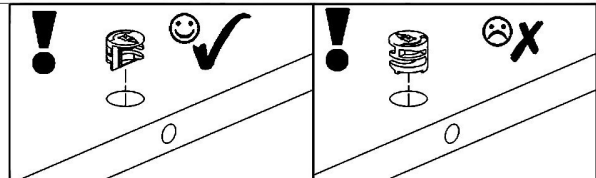
<p>E1</p>  <p>8x30mm x8</p>	<p>T1</p>  <p>x8</p>	<p>N1</p>  <p>L=35mm x4</p>	<p>V12</p> 
--	--	---	--



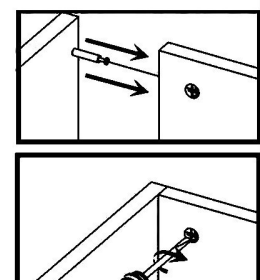
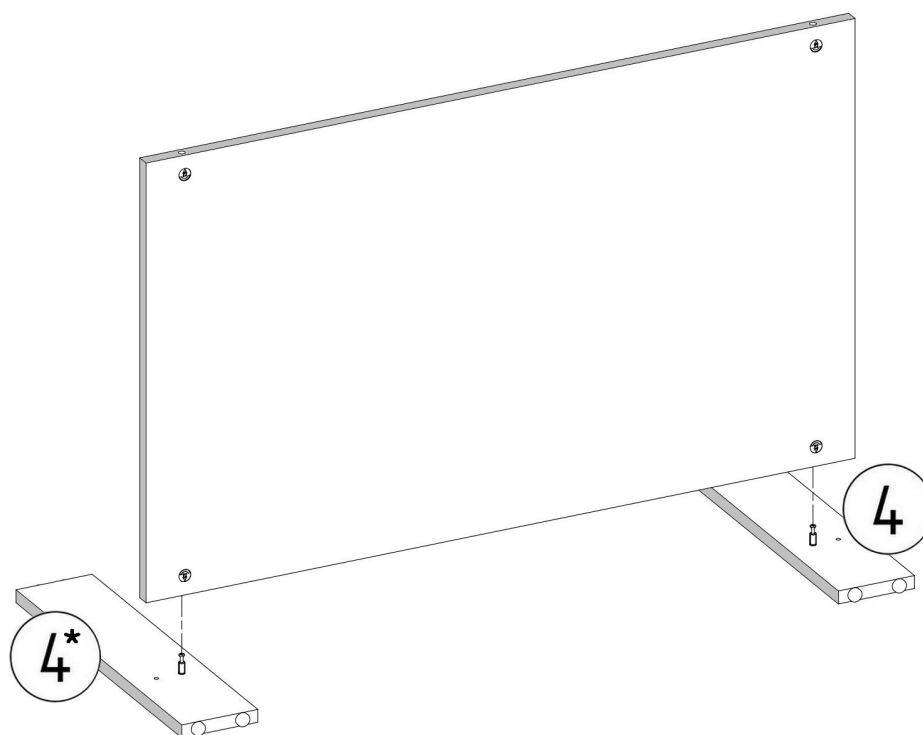
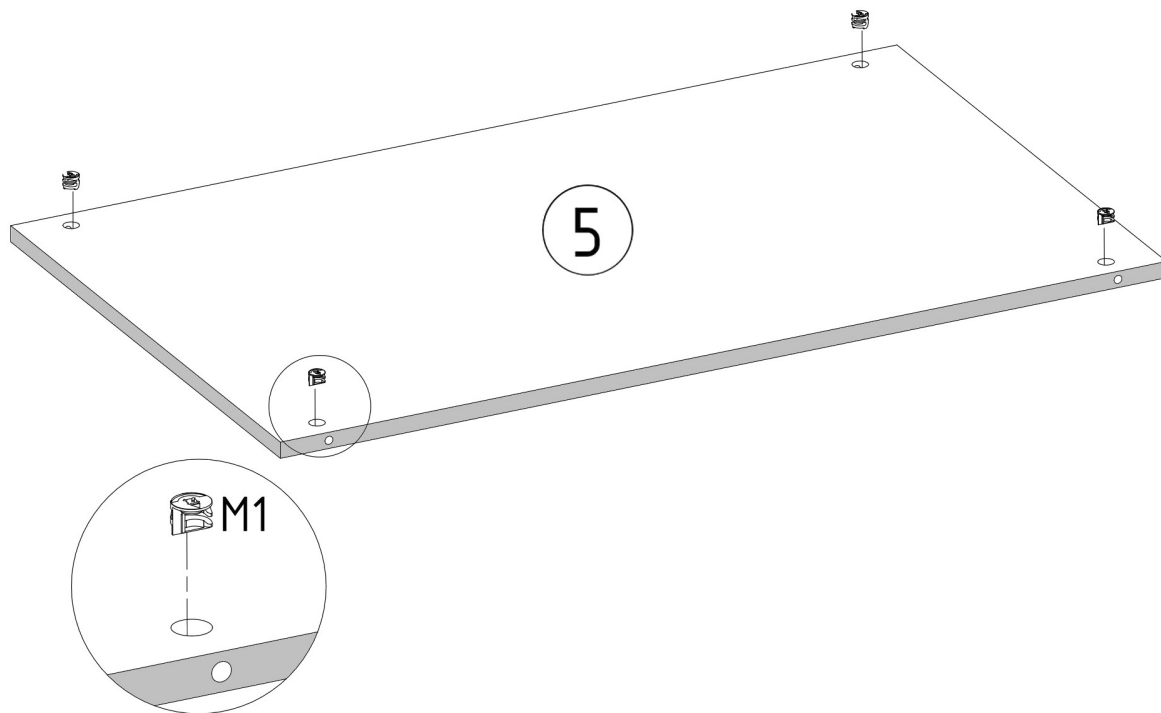
M1



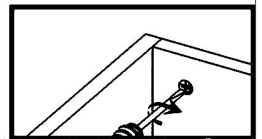
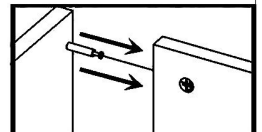
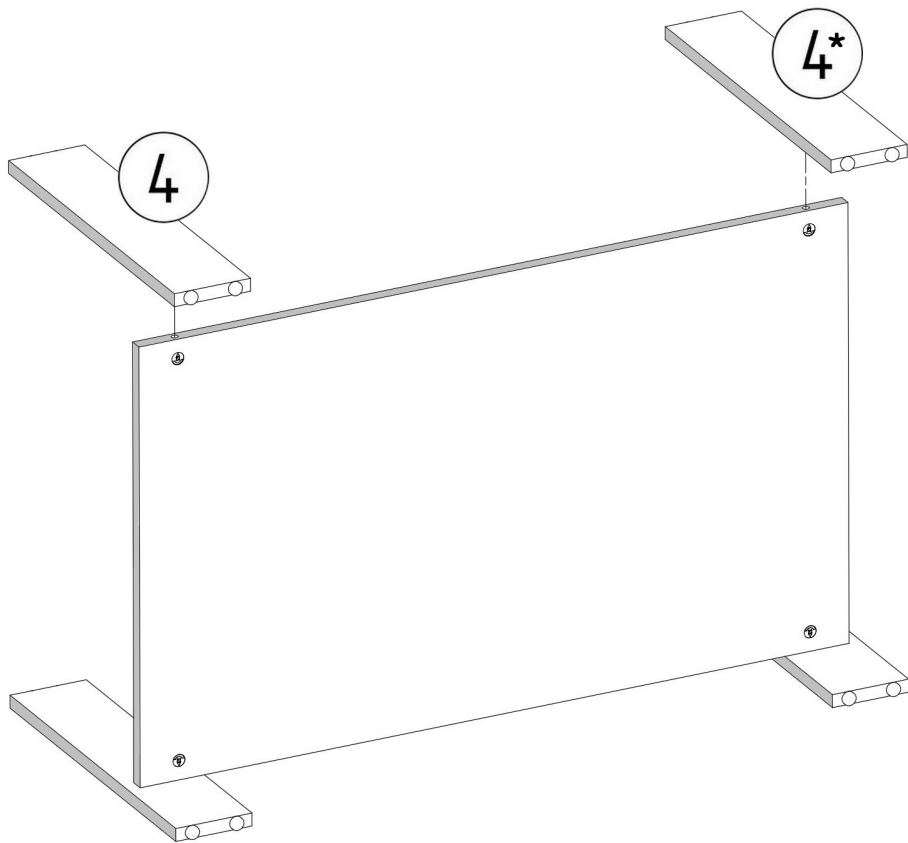
12x15mm **X4**



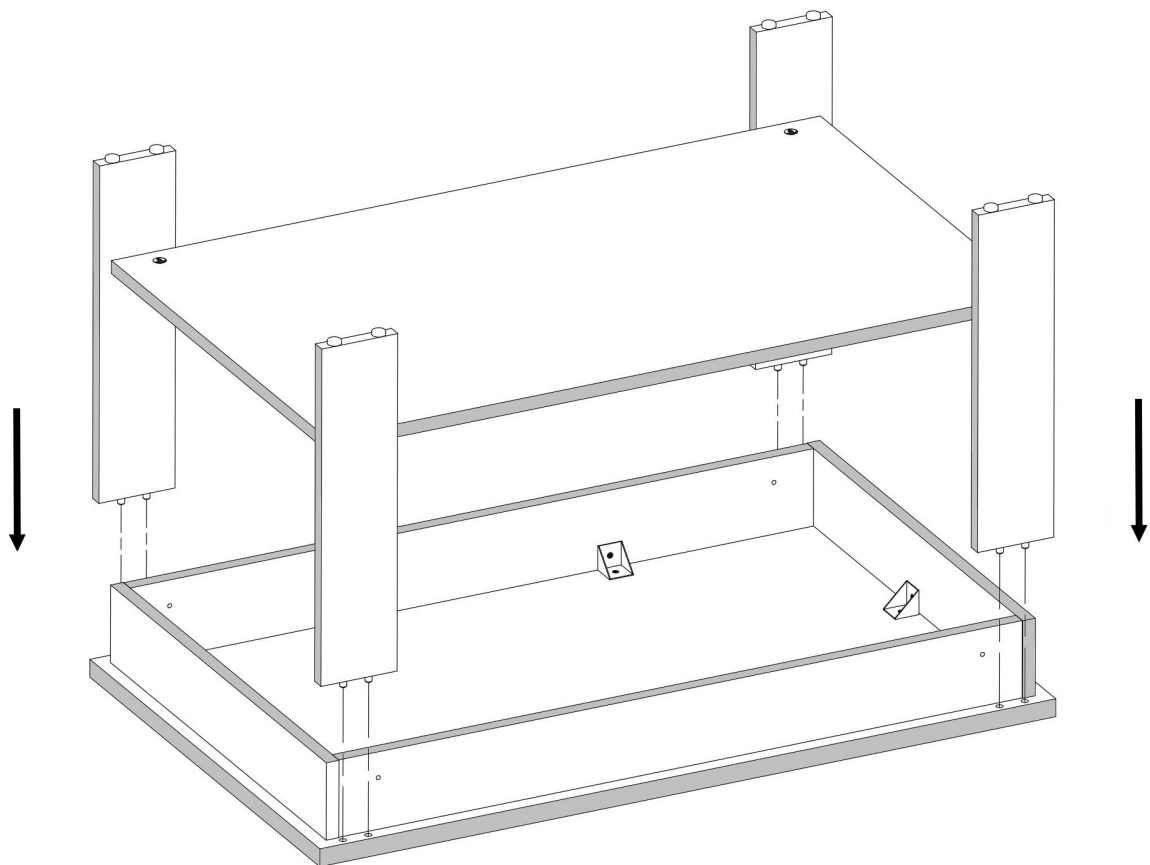
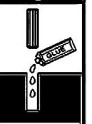
Two diagrams illustrating correct and incorrect screw placement. The left diagram shows a screw being inserted into a hole, with a smiley face and a checkmark indicating it is correct. The right diagram shows a screw being inserted into a hole that is not aligned with the edge, with a sad face and an 'X' indicating it is incorrect.



Two detail diagrams showing the assembly of the panel and base. The top diagram shows the panel being inserted into the base, with arrows indicating the direction of movement. The bottom diagram shows the panel being secured to the base with a screw.



V12



S2



4x27mm X4

