

M1



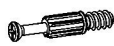
12x15mm x16

E1



8x30mm x10

N1



L=35mm x16

F1



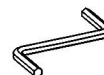
7x50mm x6

T1



x8

F3



Hex 4mm x1

V16

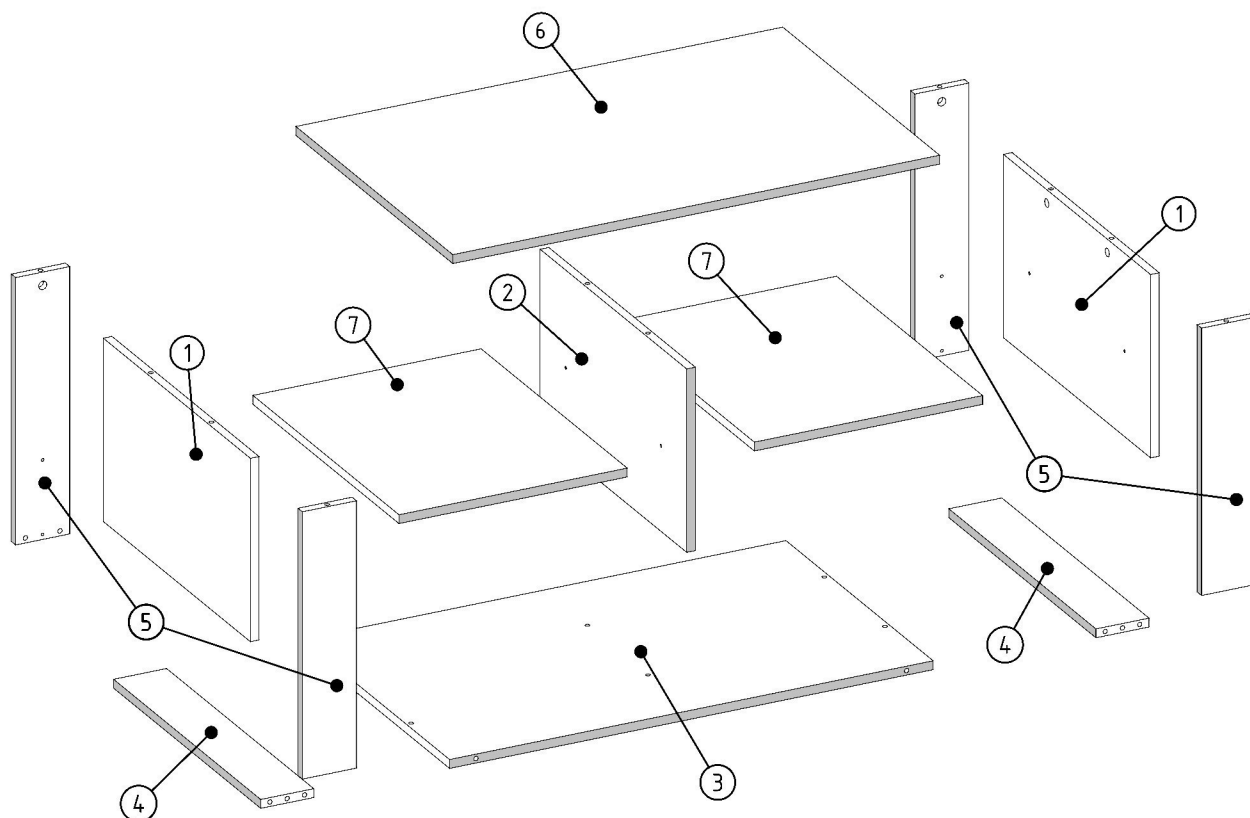


5x16mm x8

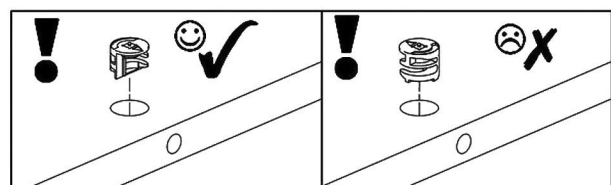
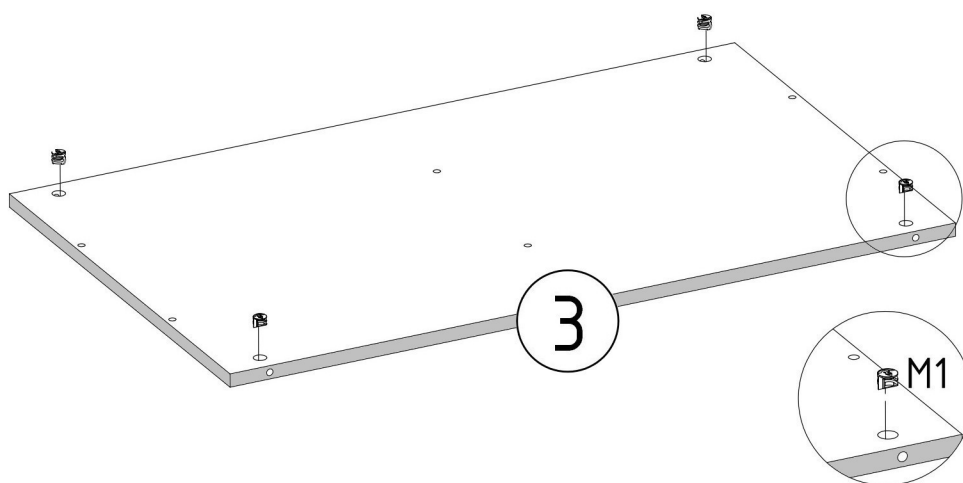
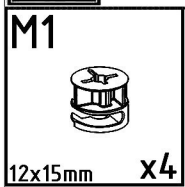
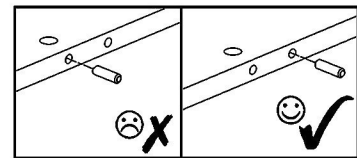
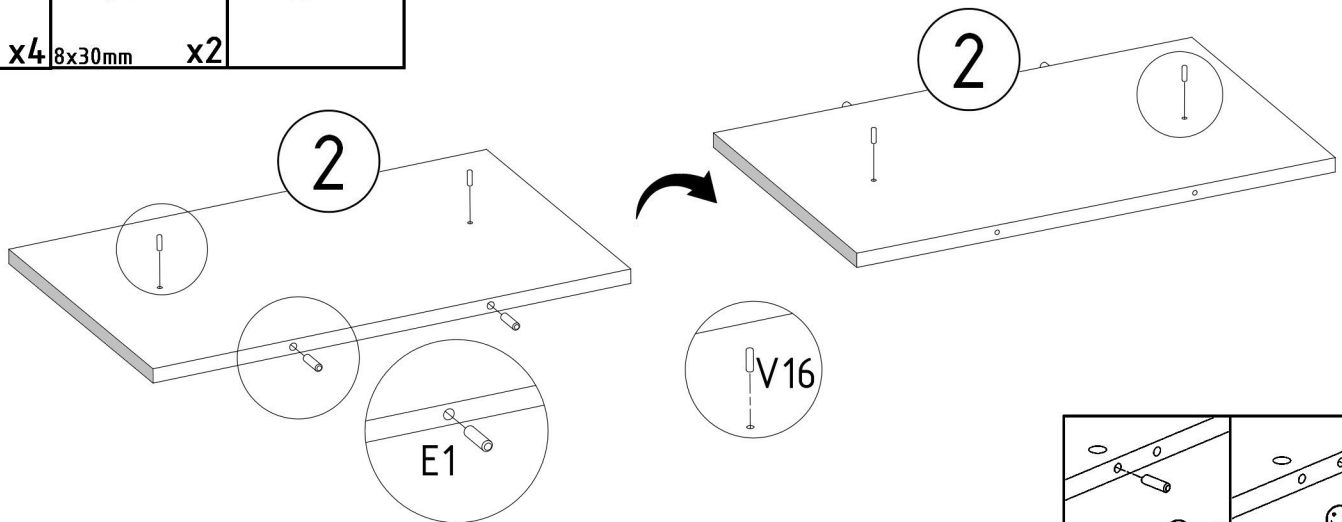
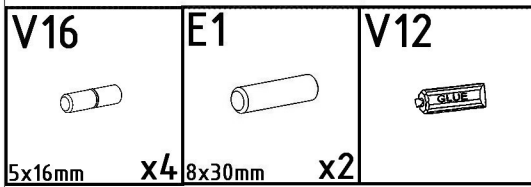
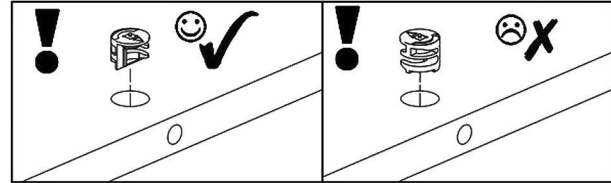
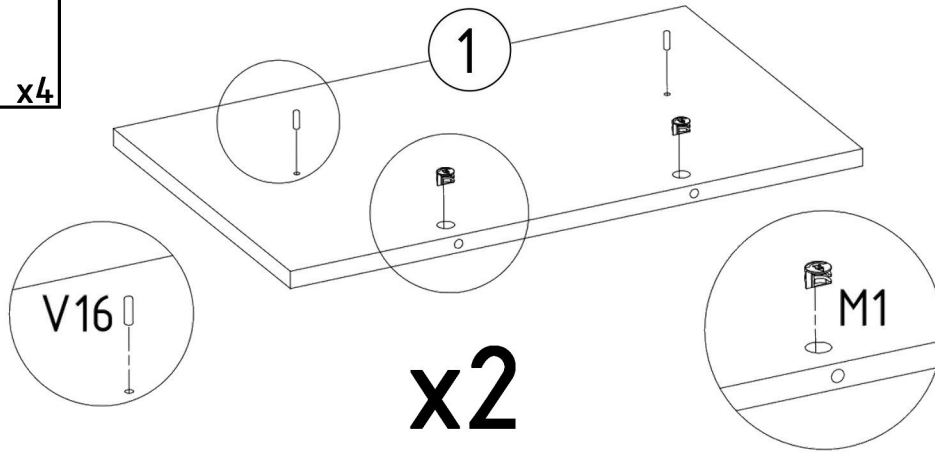
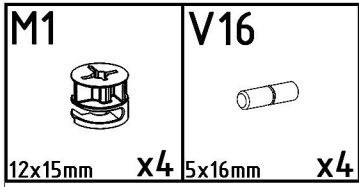
V12

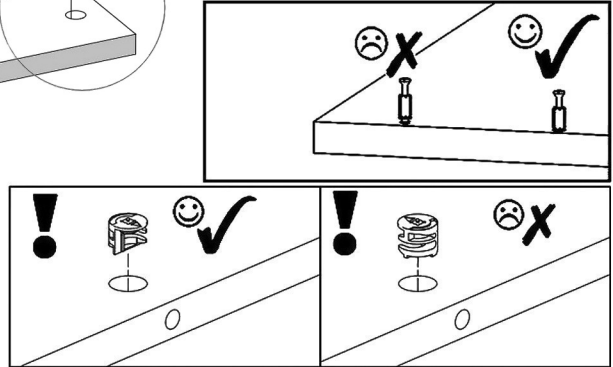
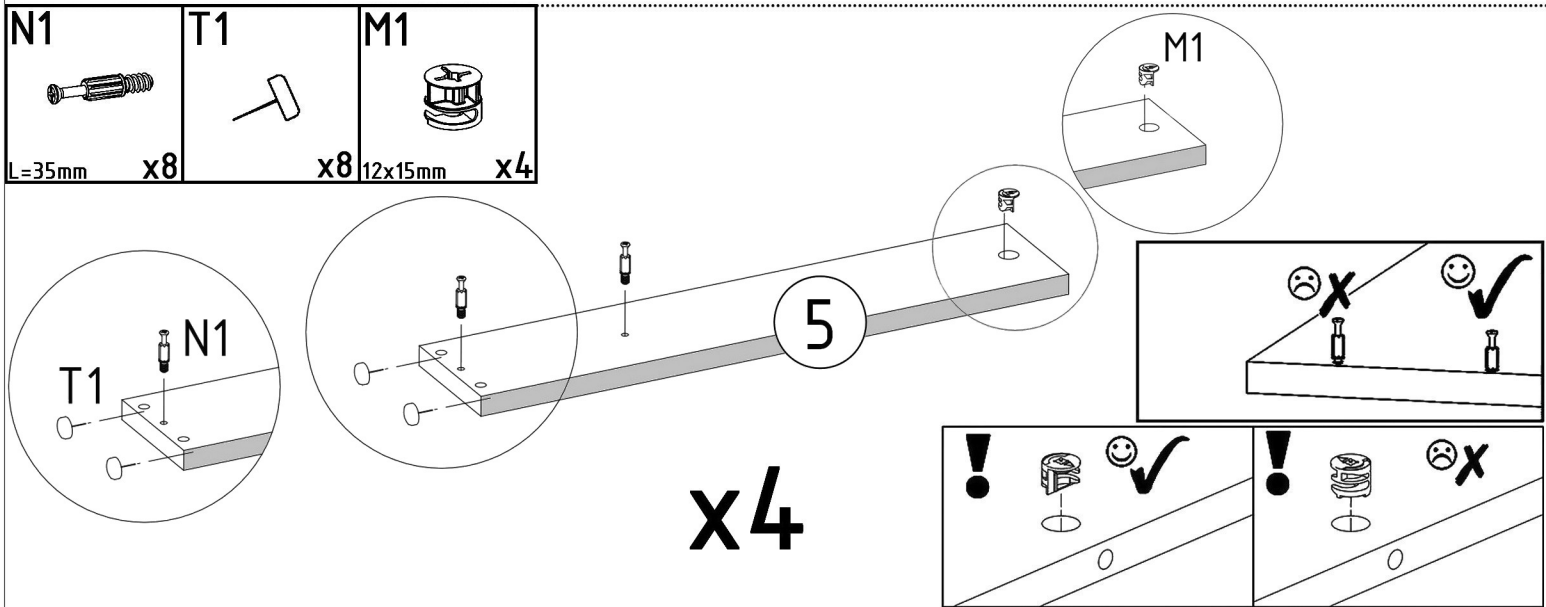
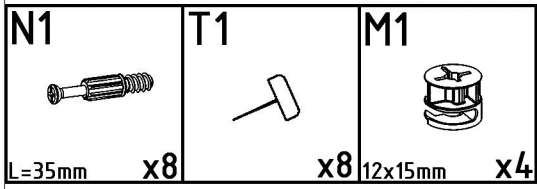
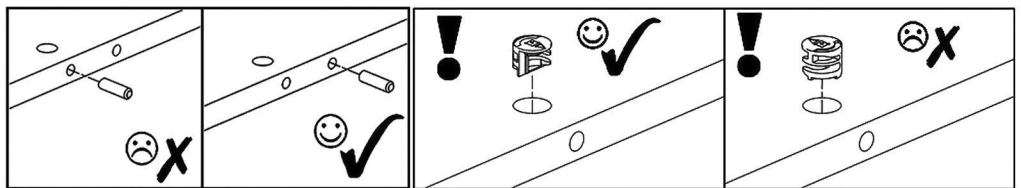
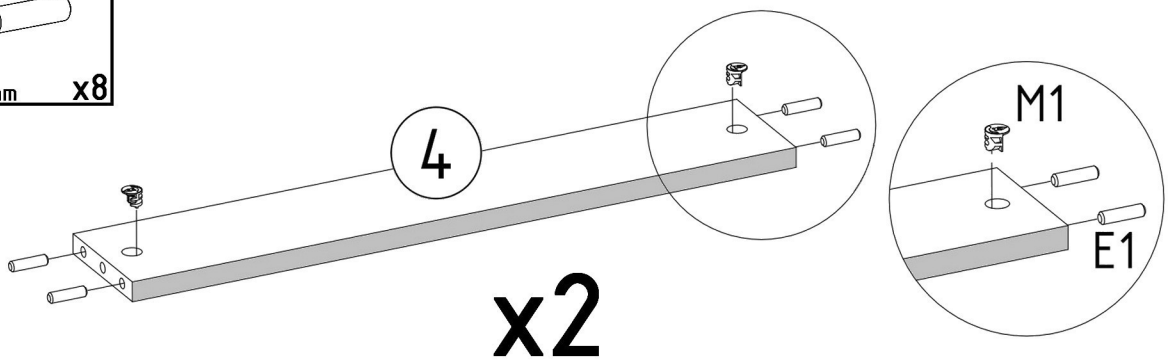
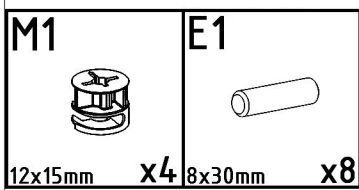
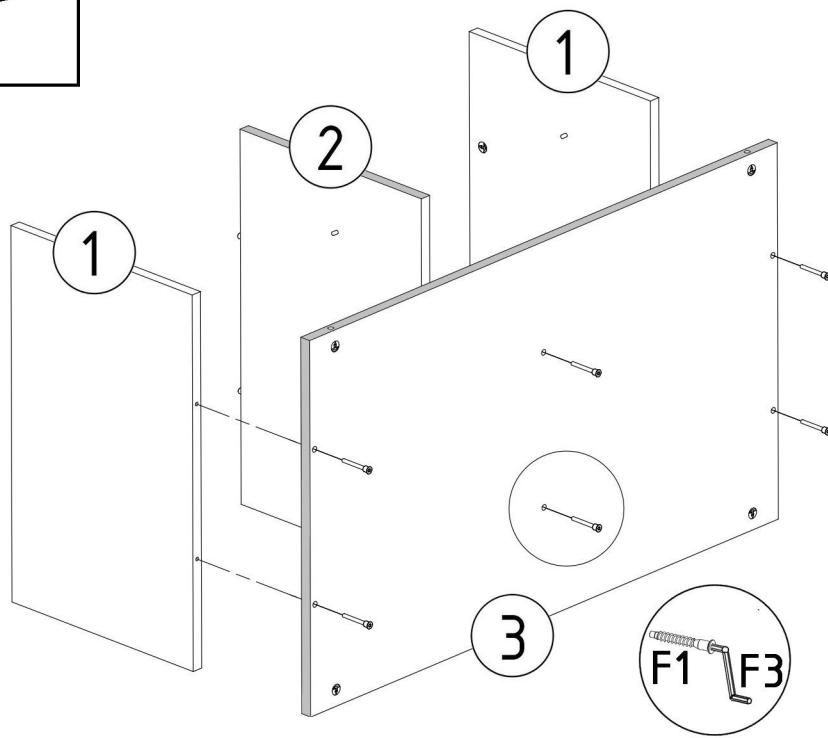
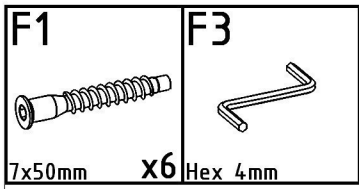


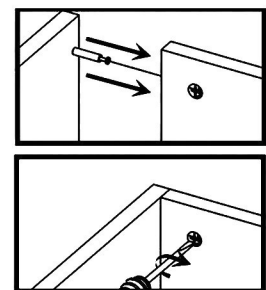
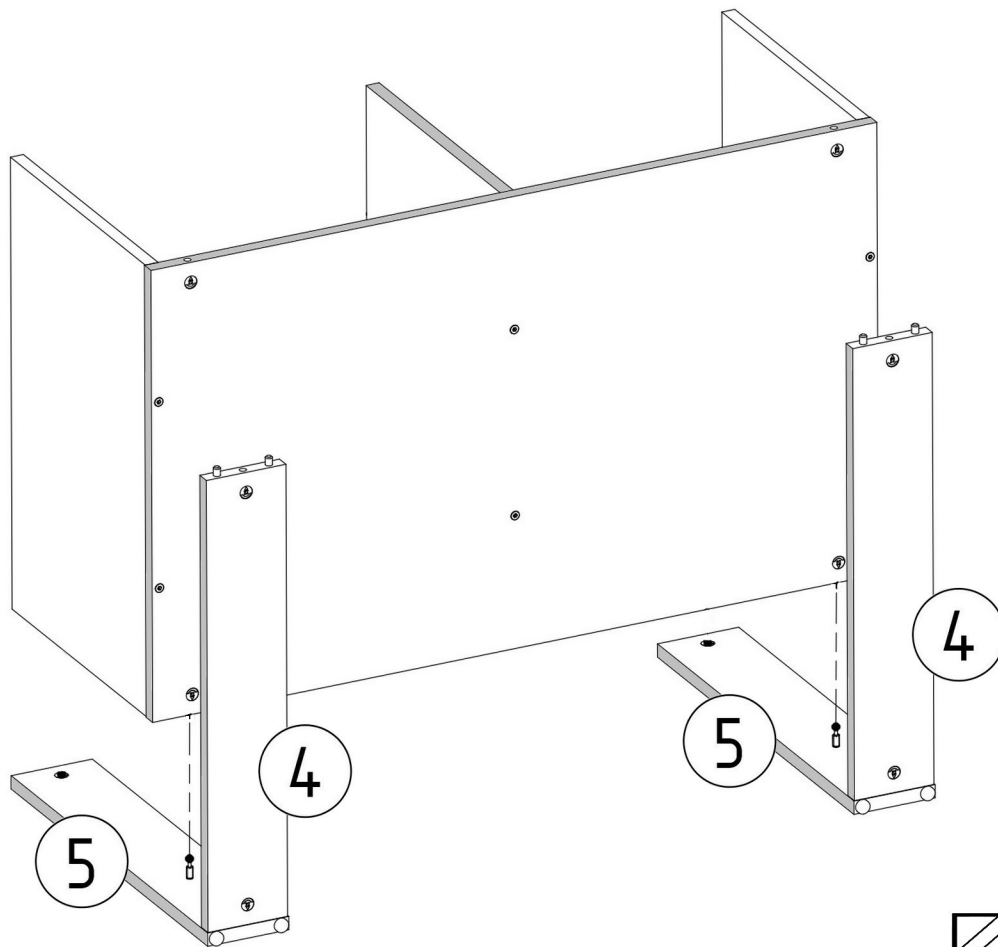
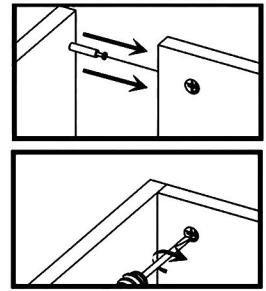
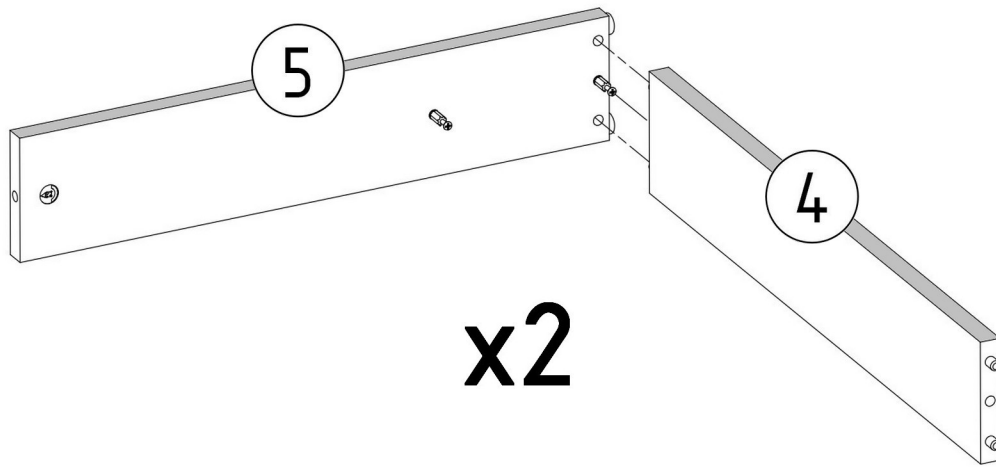
x1

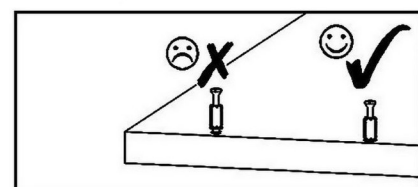
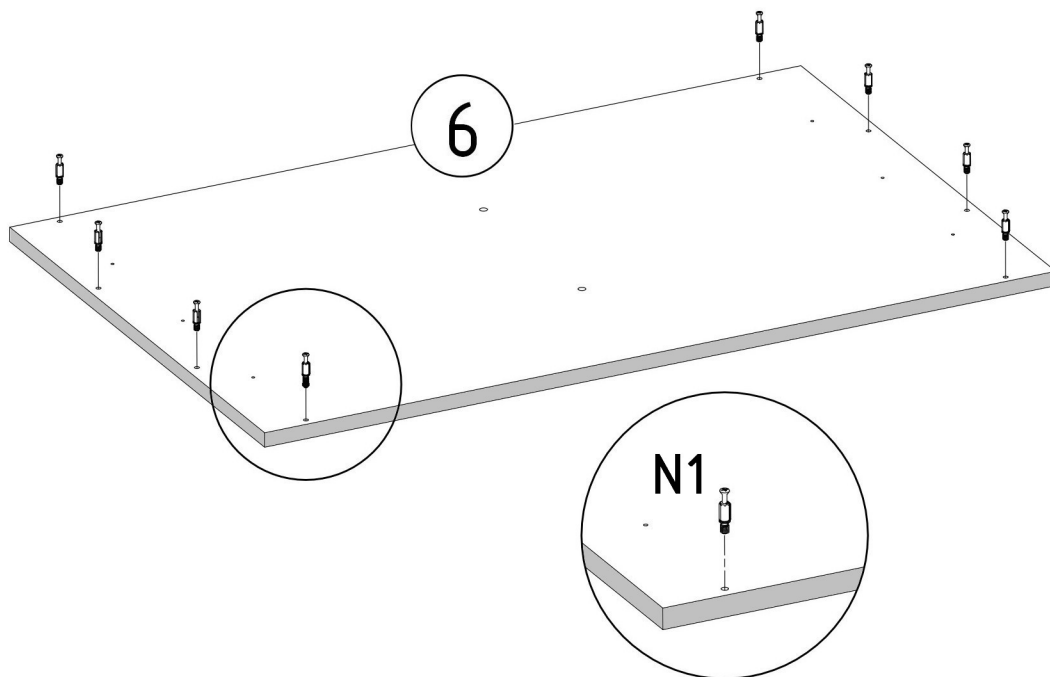
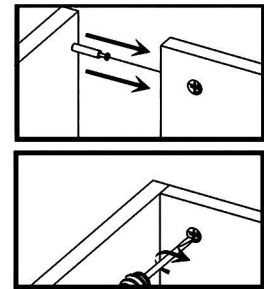
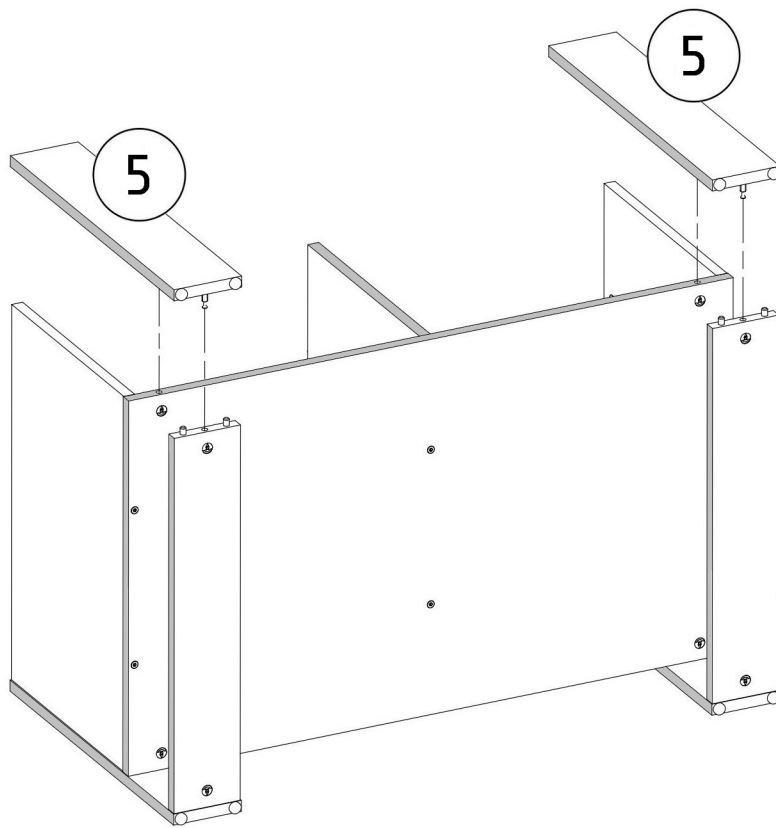


1	x	2
2	x	1
3	x	1
4	x	2
5	x	4
6	x	1
7	x	2









V12

