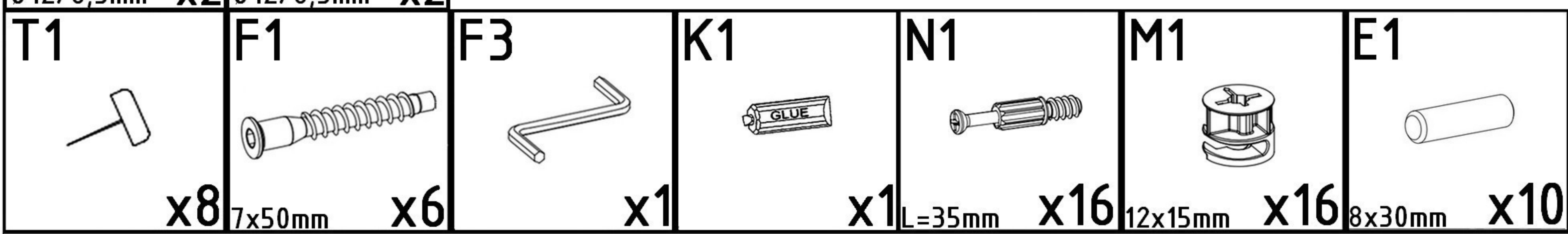
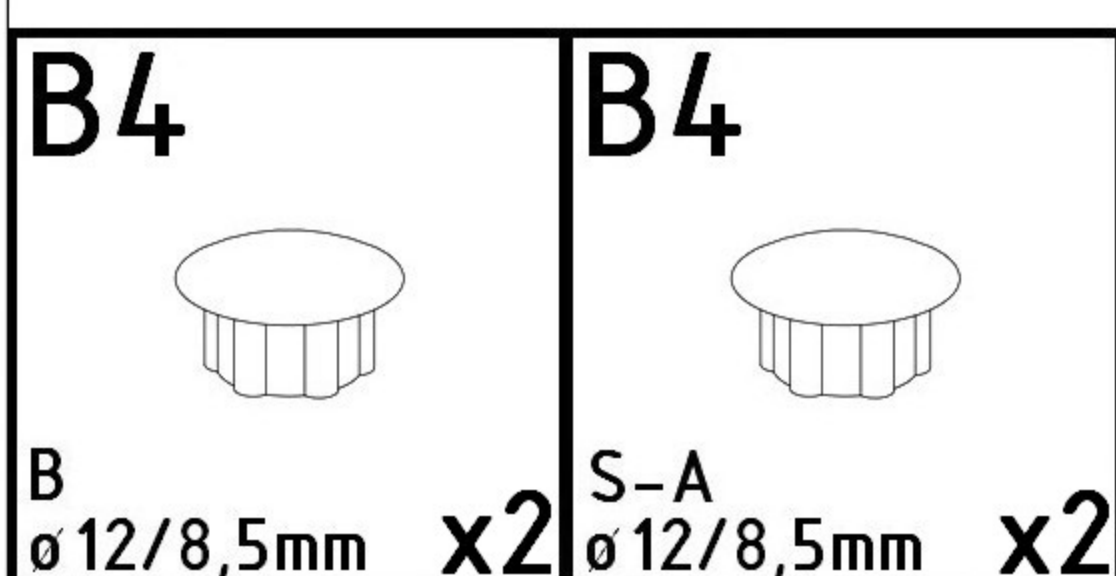
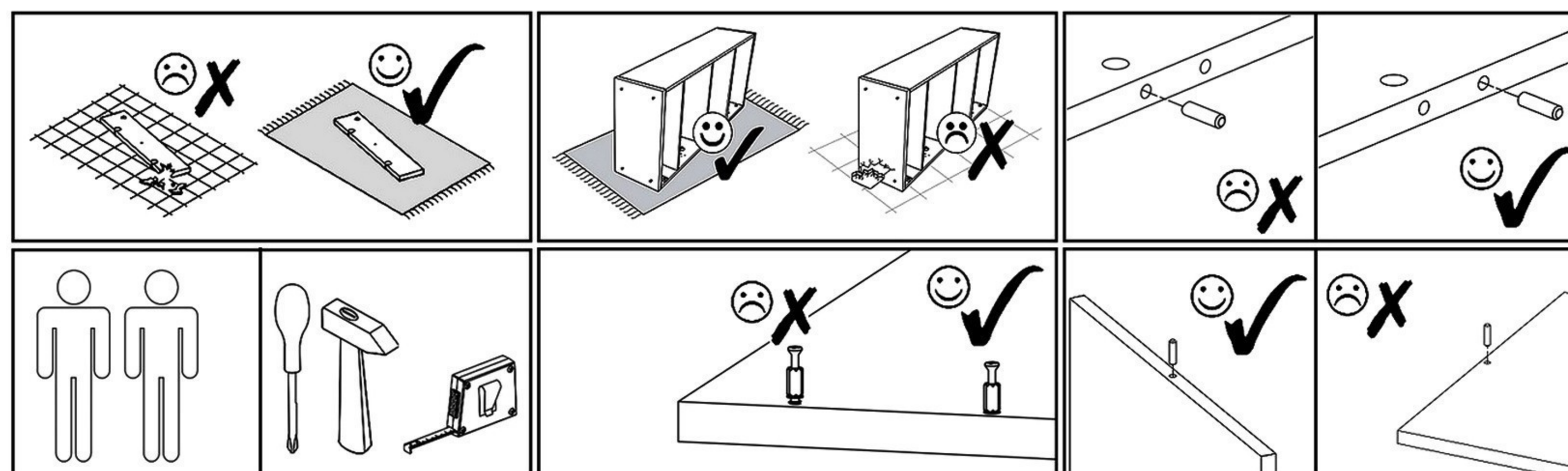
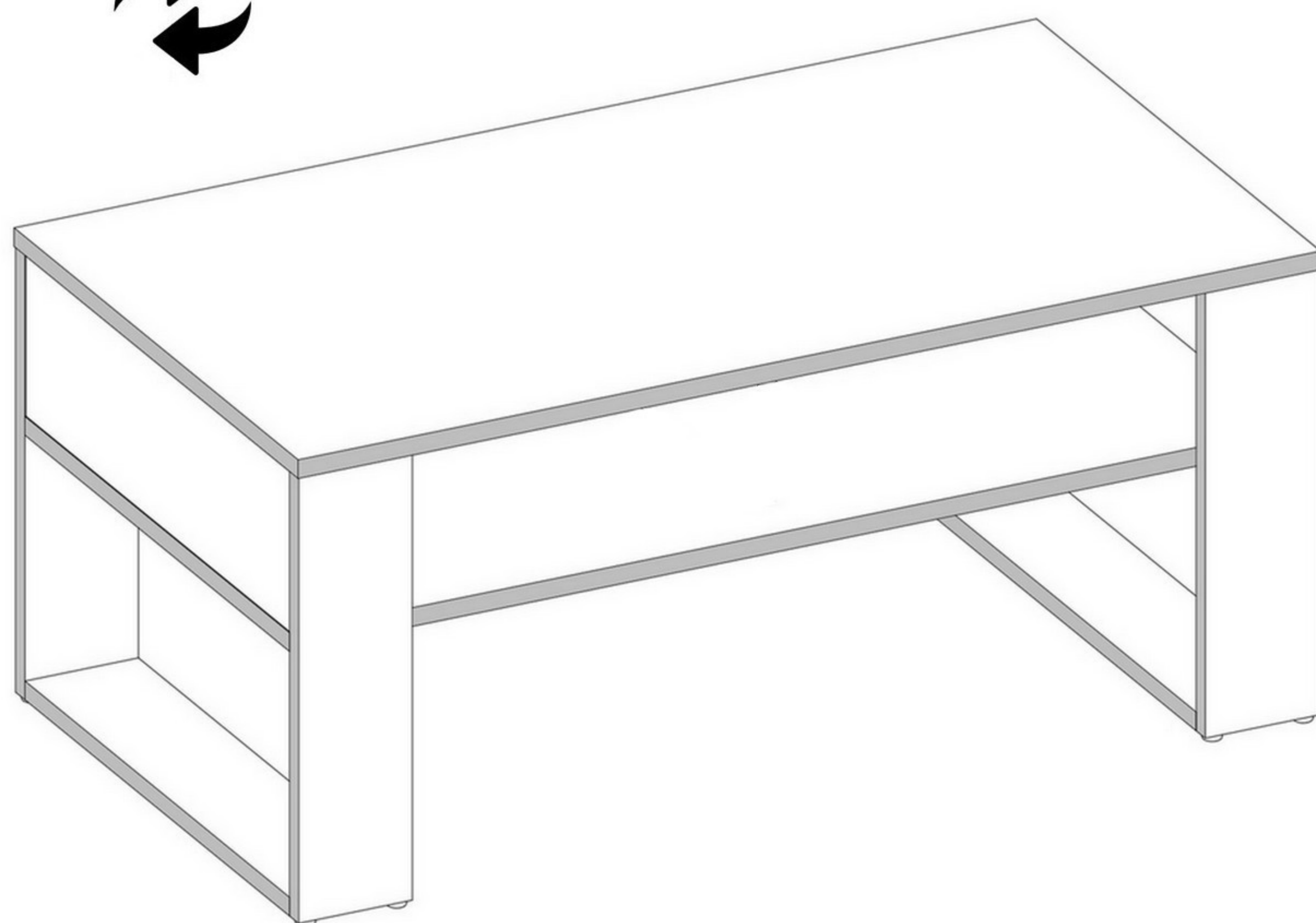
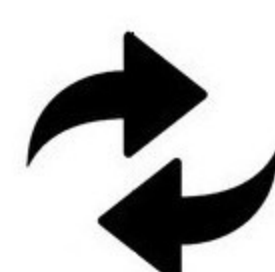
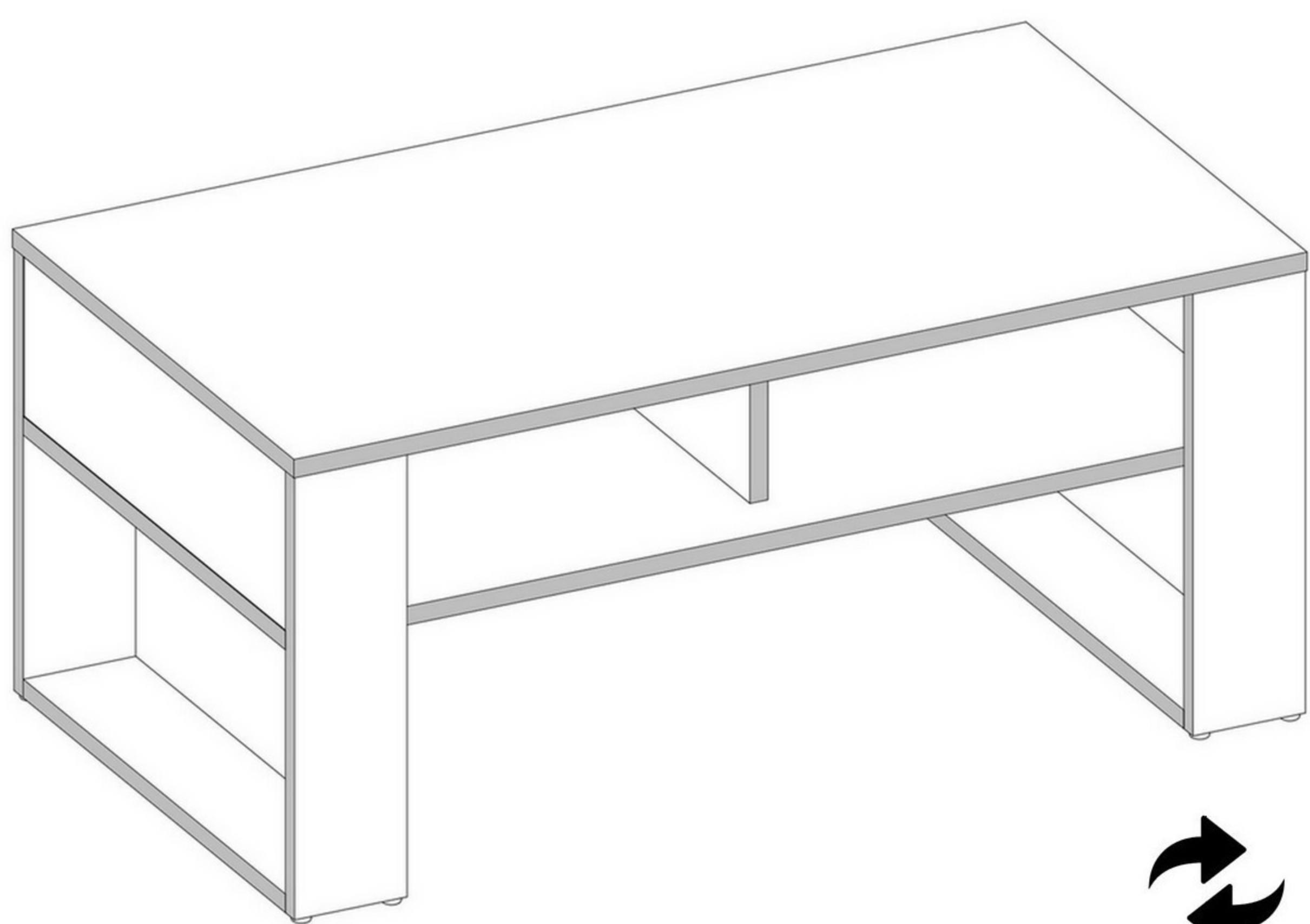
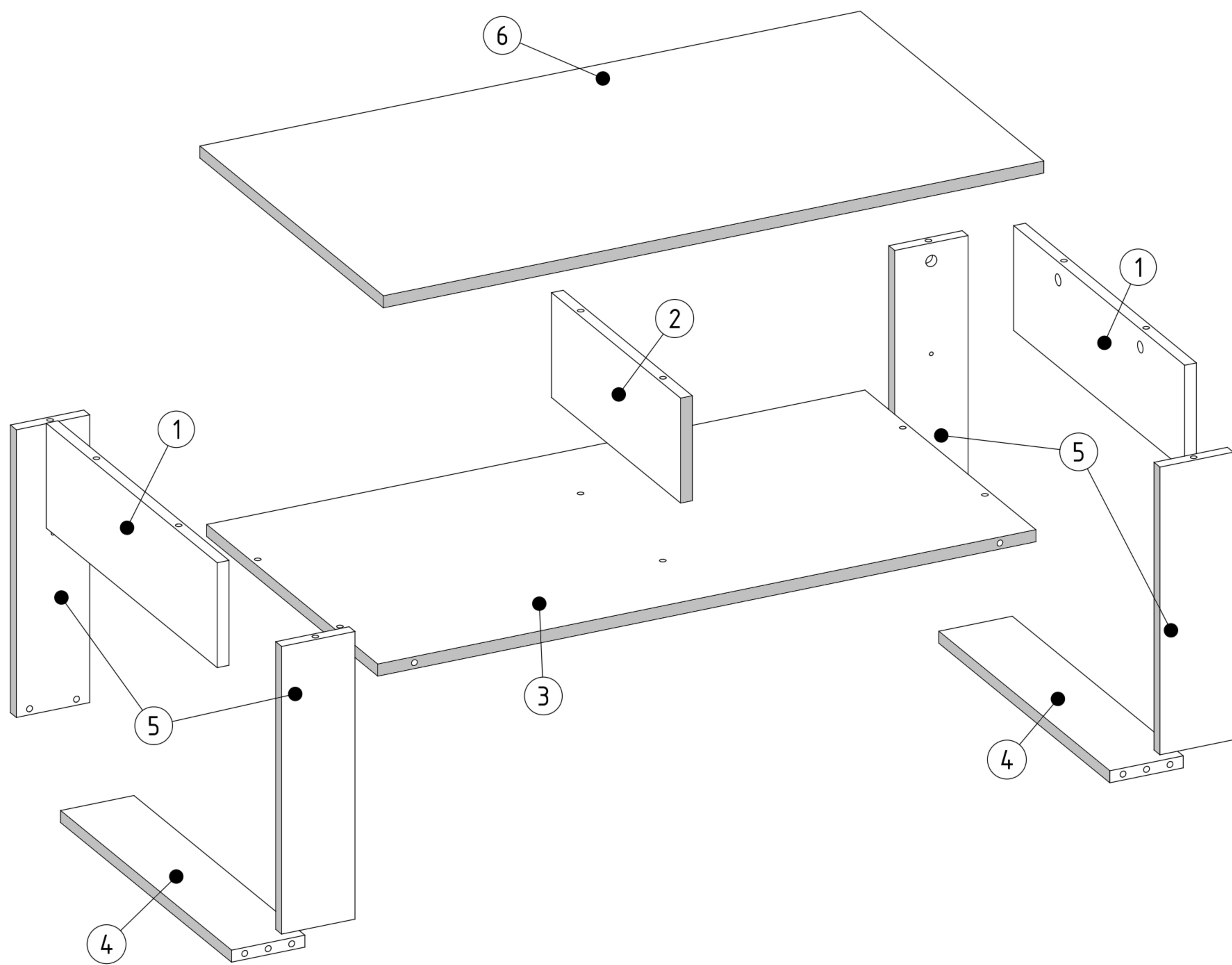



03/01/2023

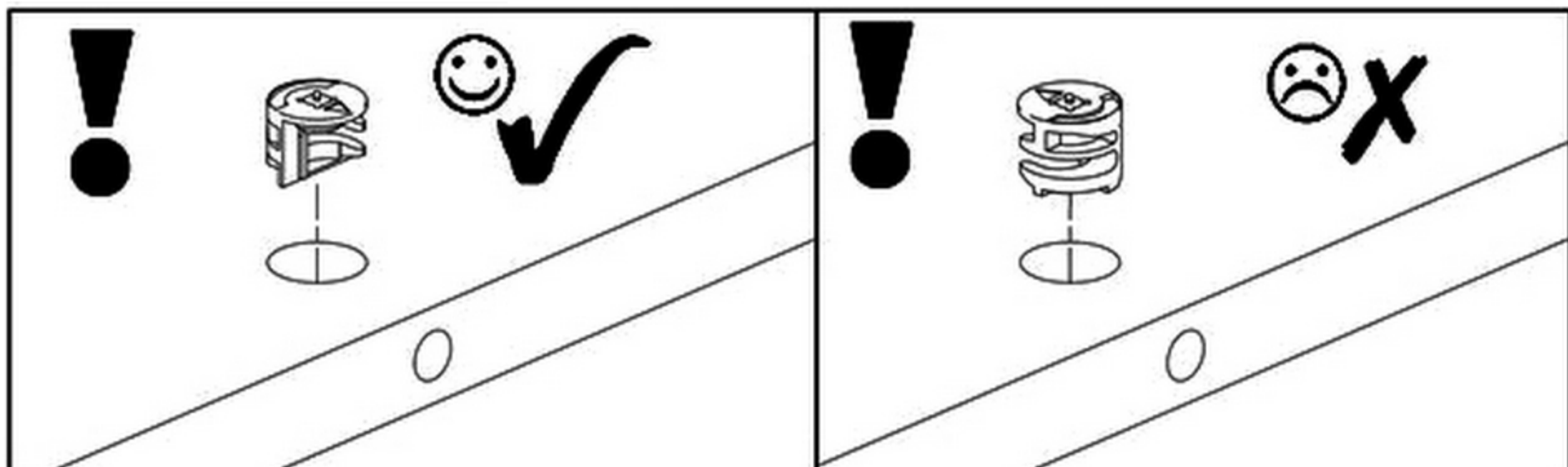
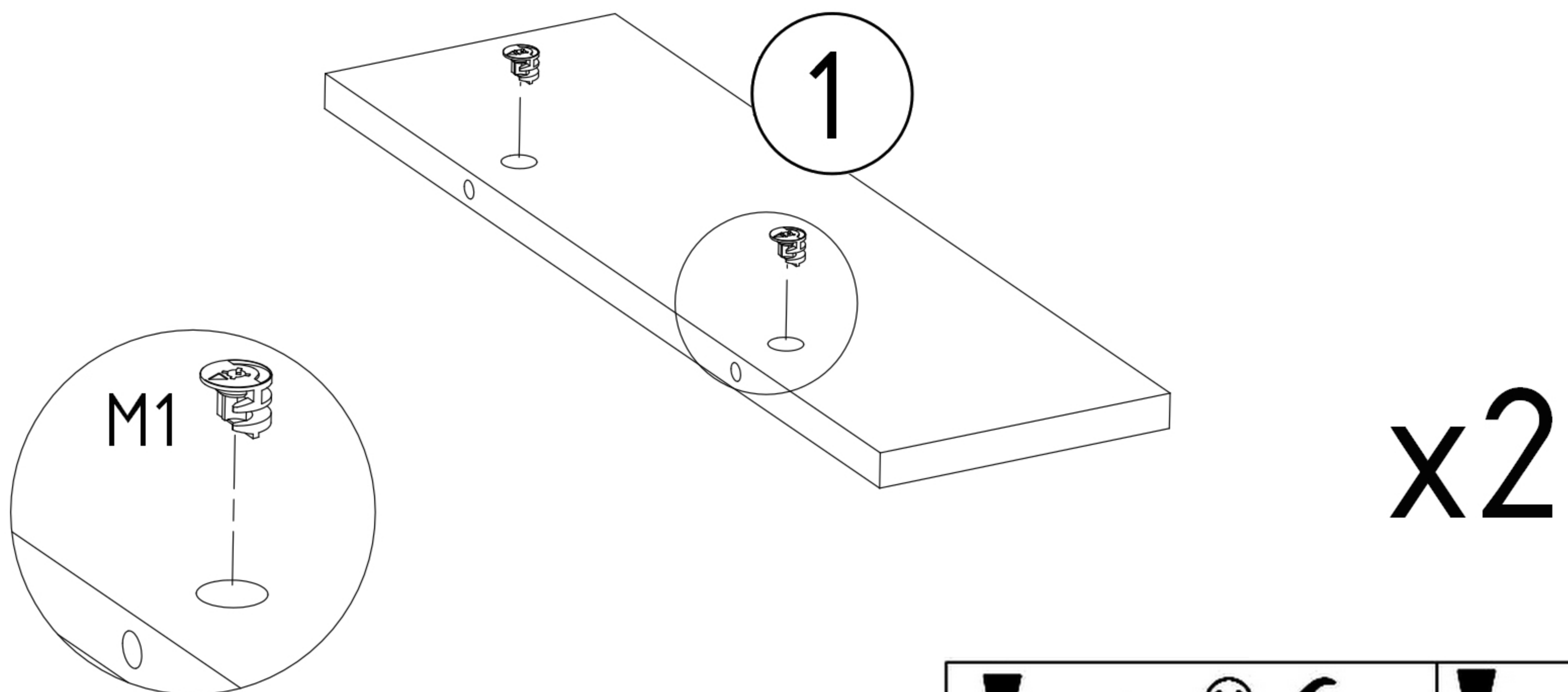
MODERN 2P




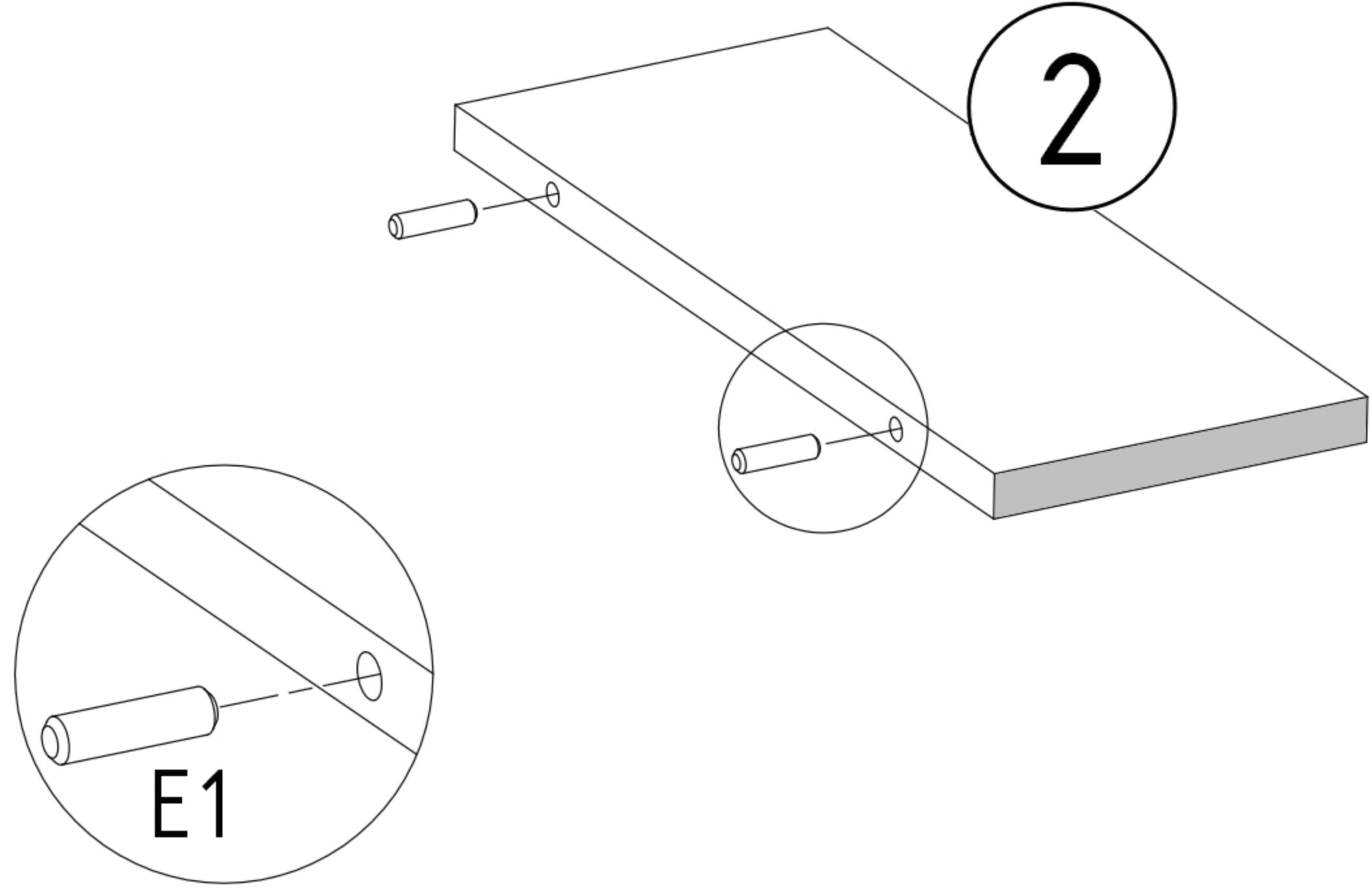



1	x	2
2	x	1
3	x	1
4	x	2
5	x	4
6	x	1

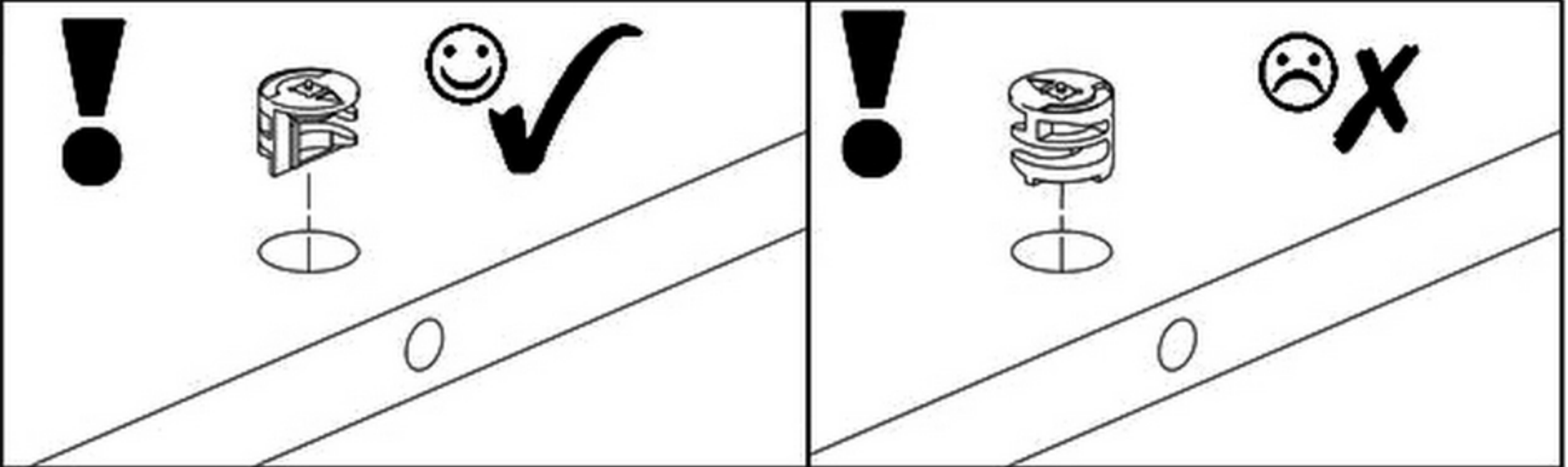
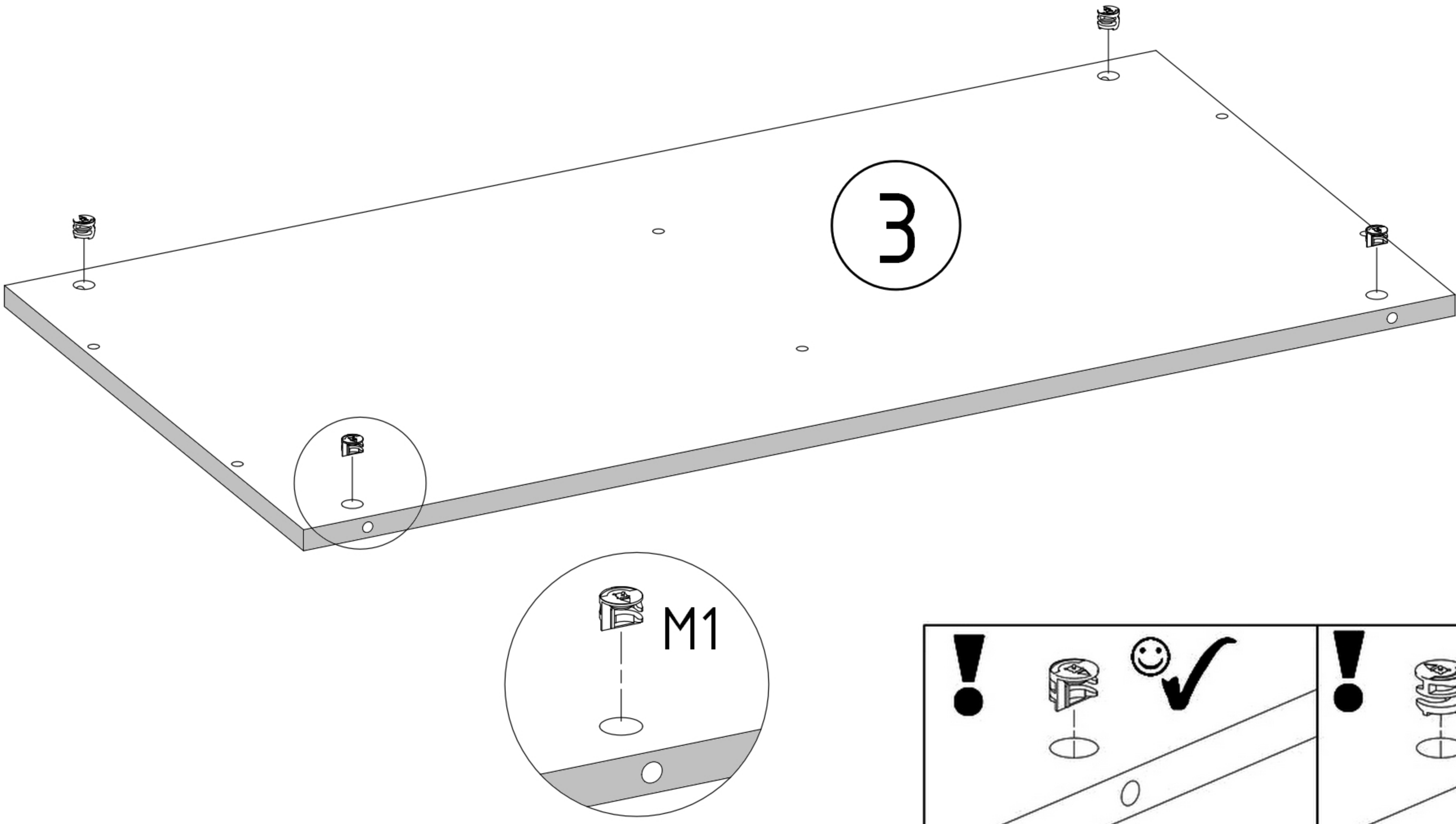
M1

12x15mm **x4**

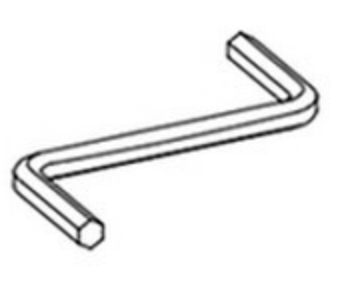
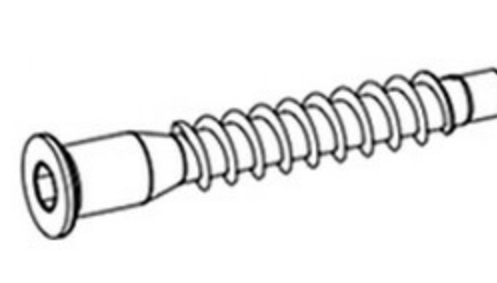


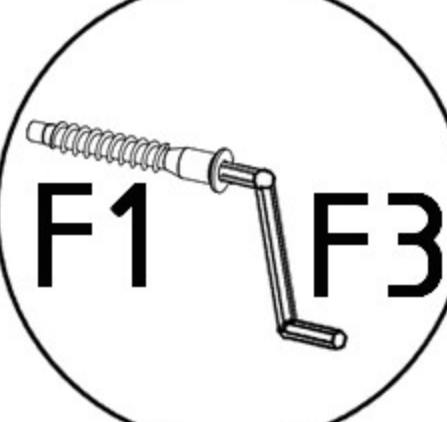
E1

8x30mm **x2**

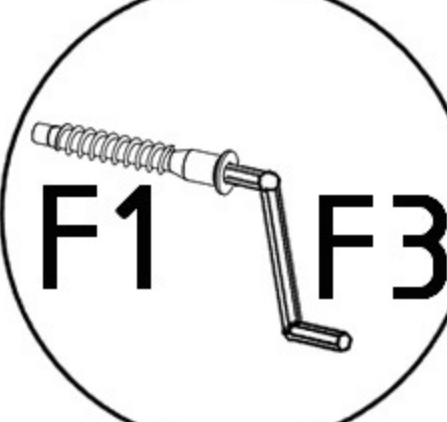


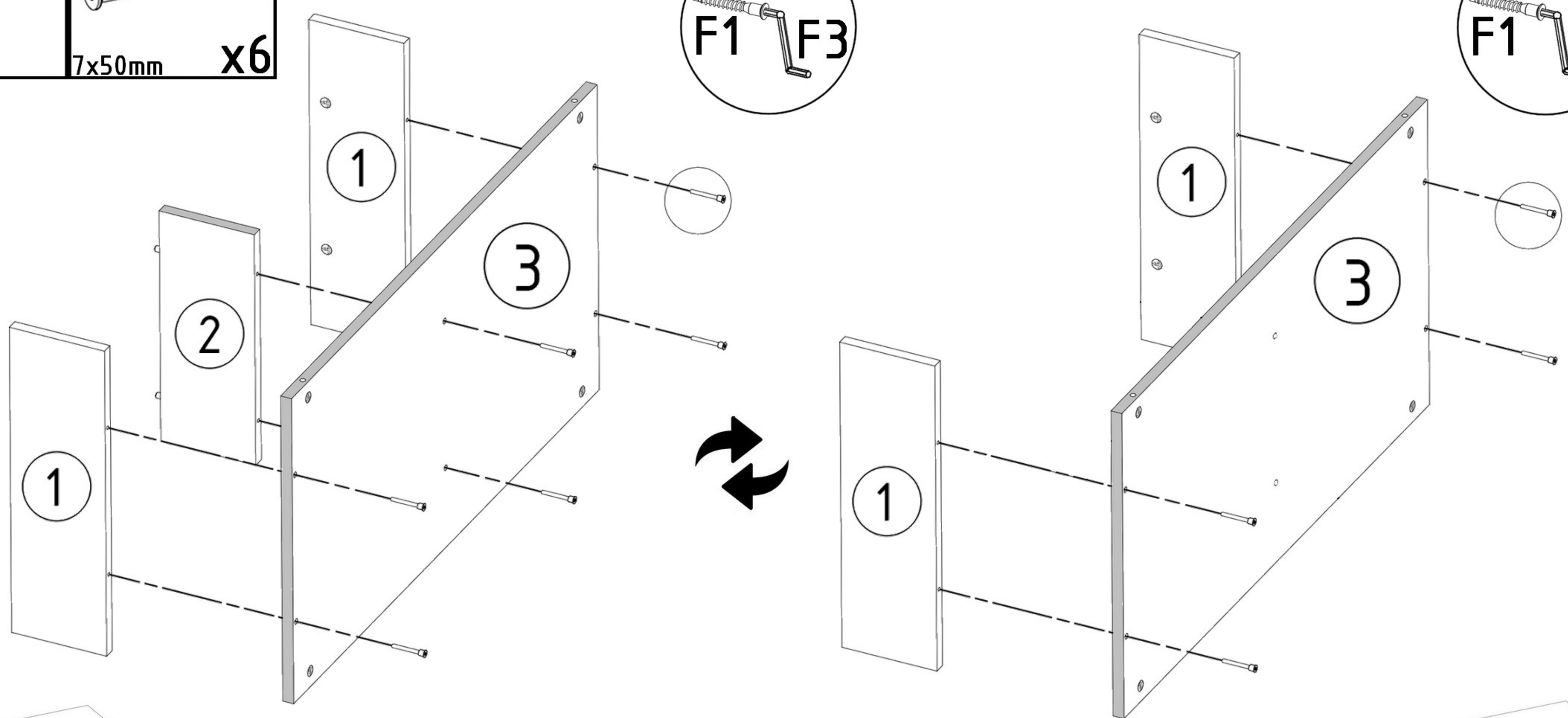
M1

12x15mm **x4**

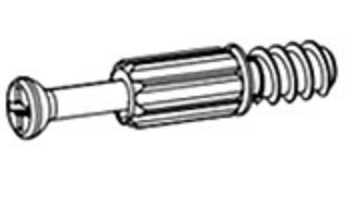
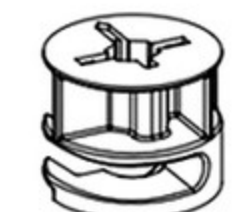






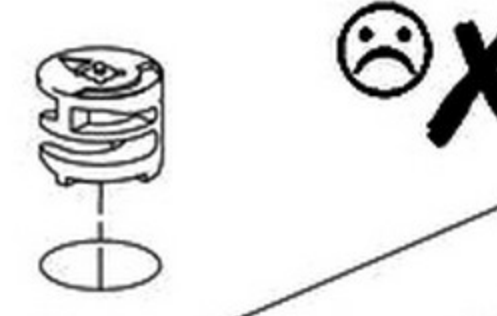
F3 	F1 
	7x50mm x6

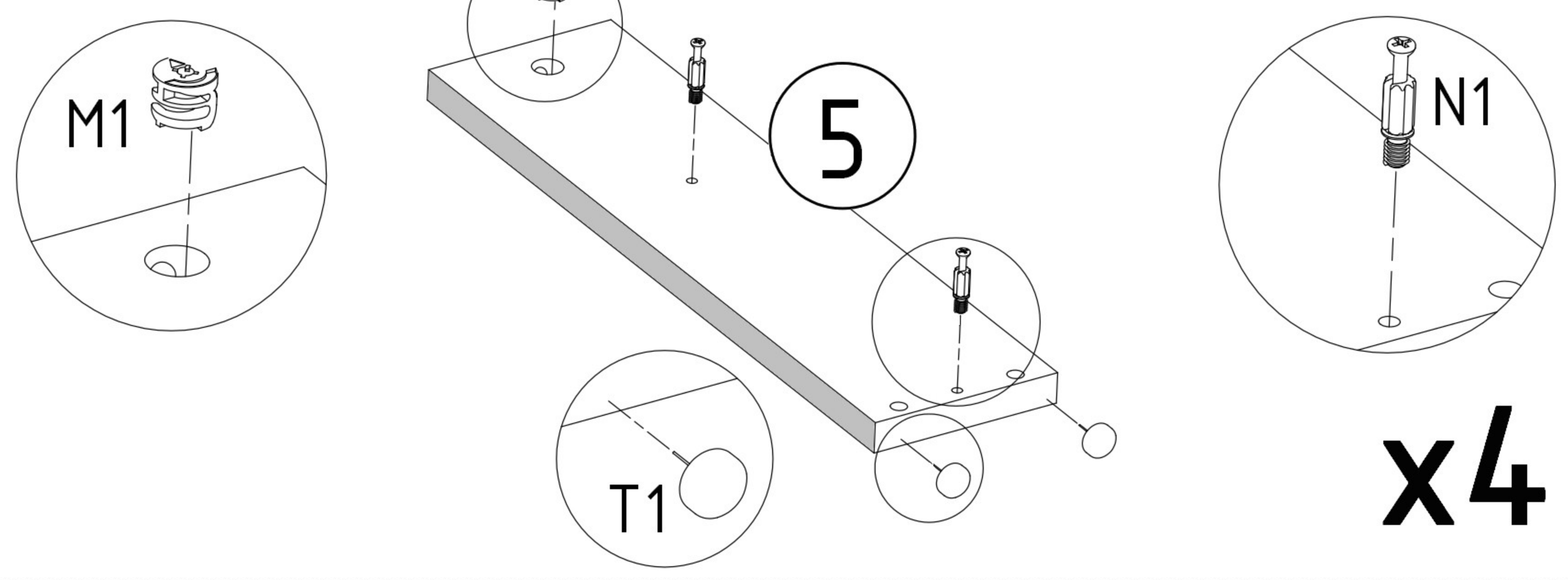
F1 F3



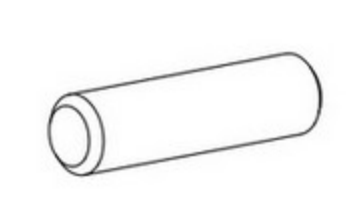
F1 F3








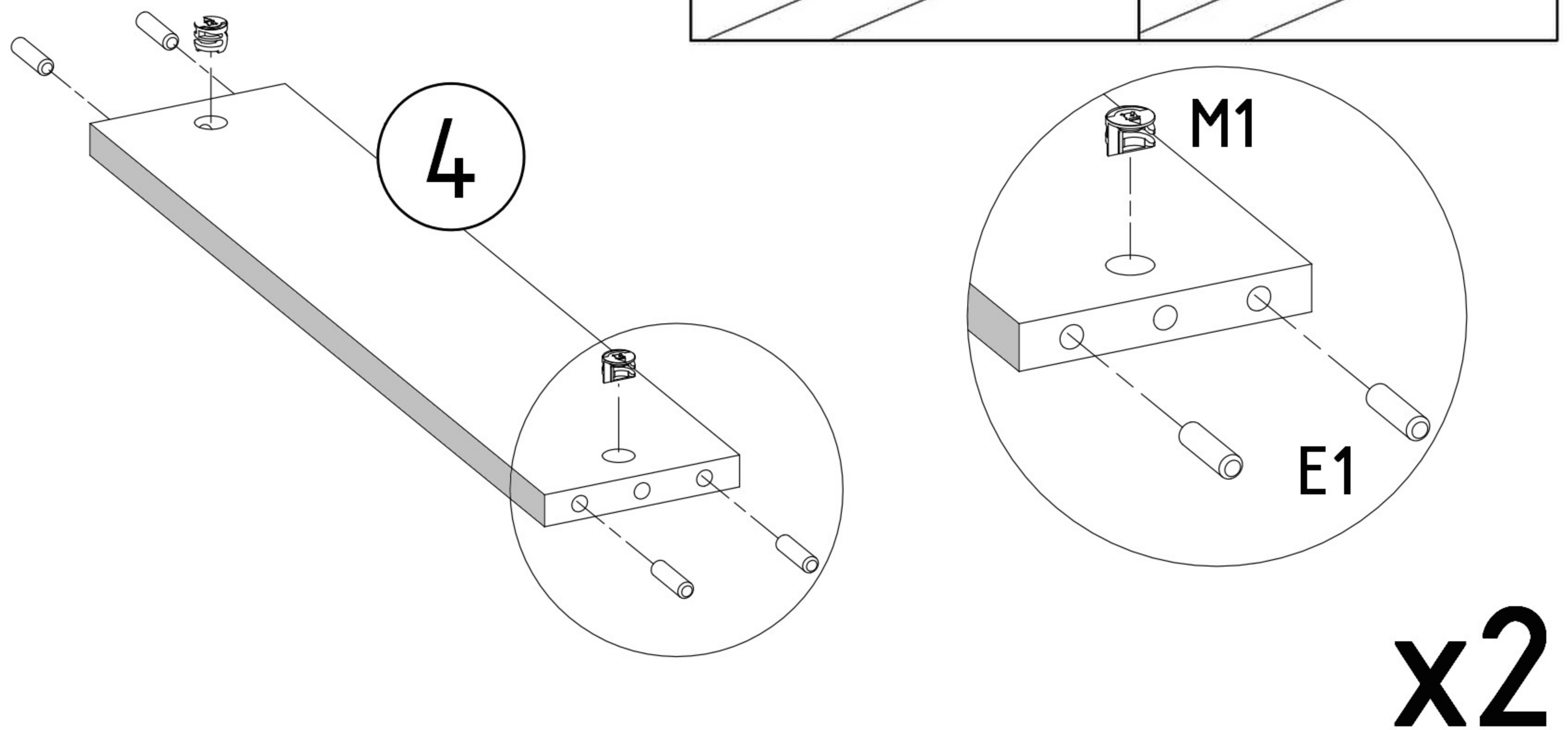
N1 	M1 	T1 
L=35mm x8	12x15mm x4	x8

 	 
---	---

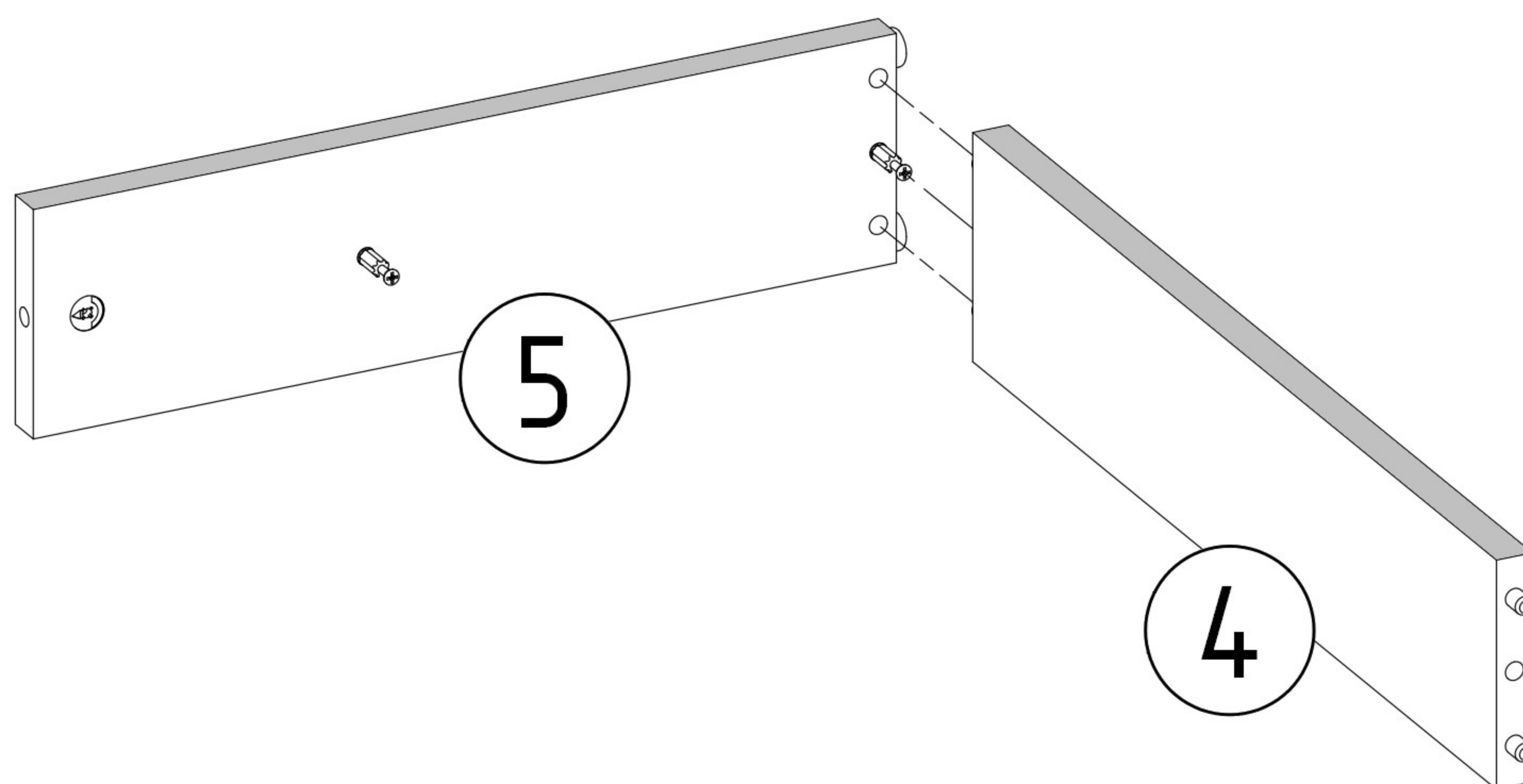
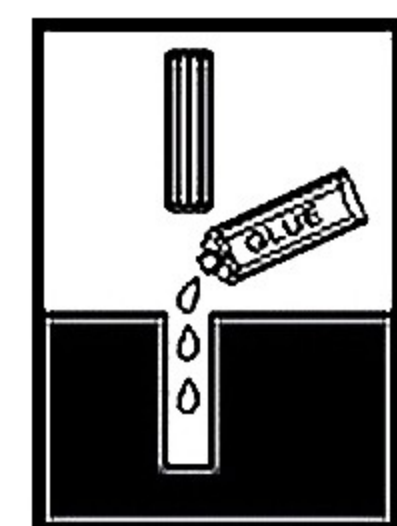


M1 	E1 
12x15mm x4	8x30mm x8

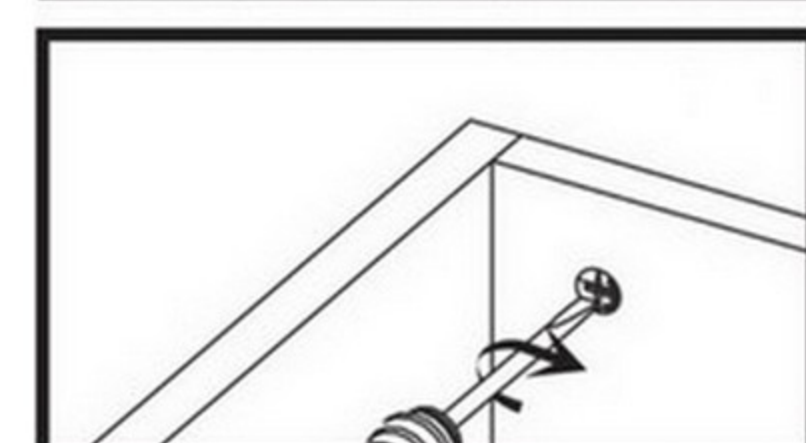
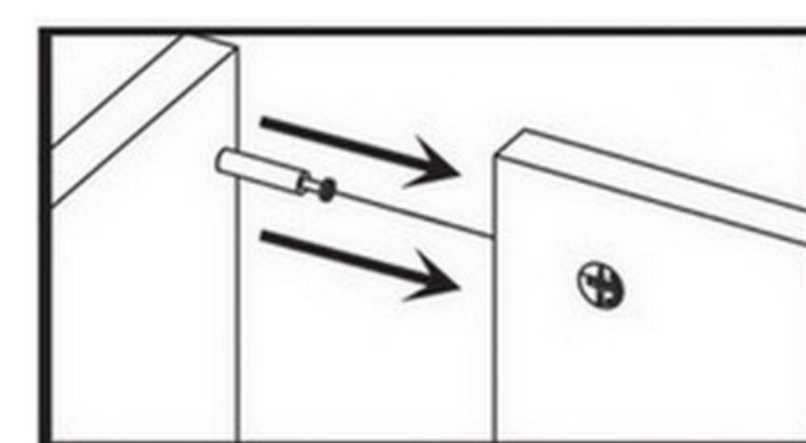
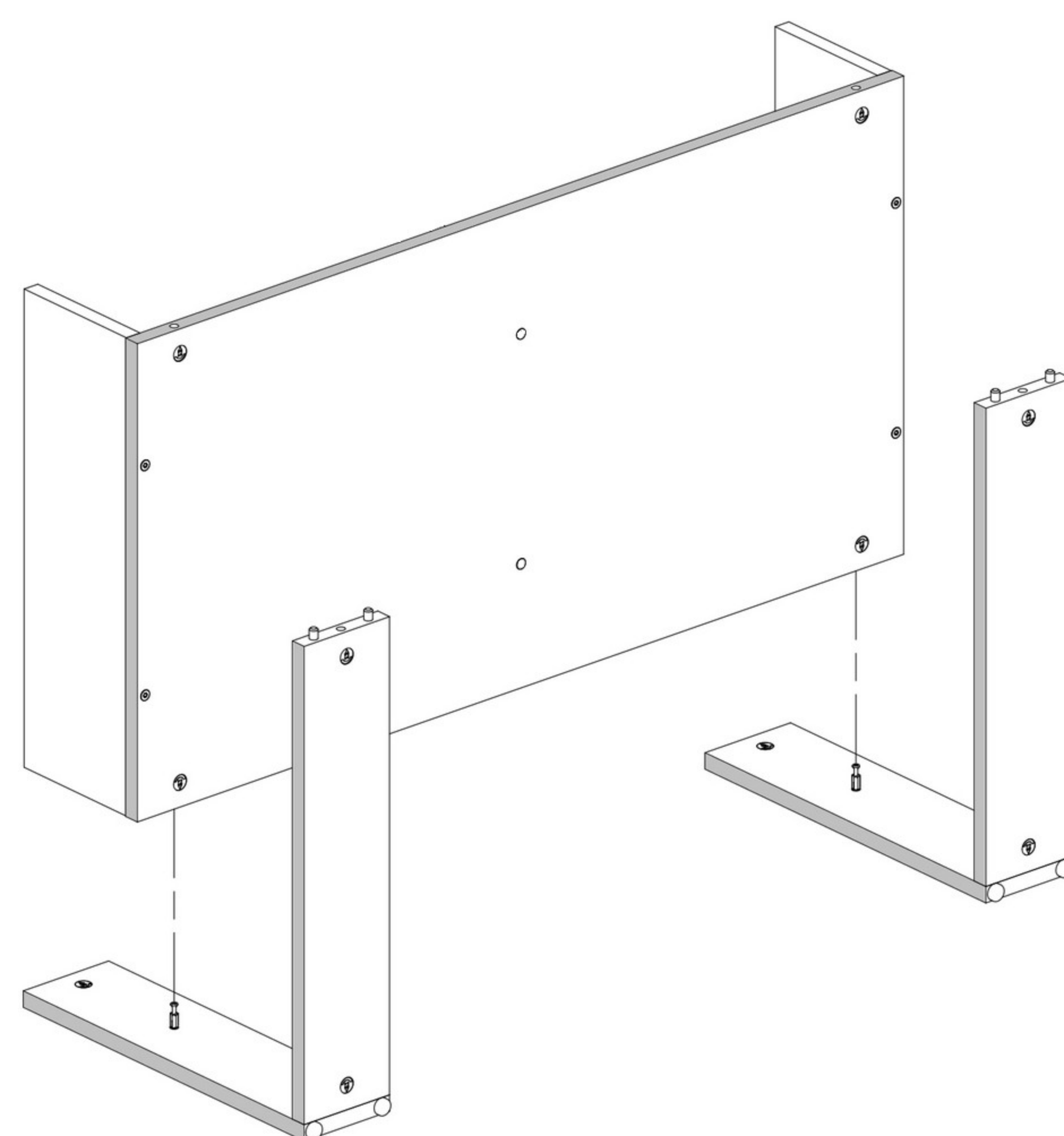
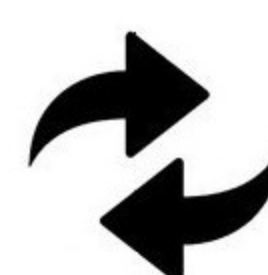
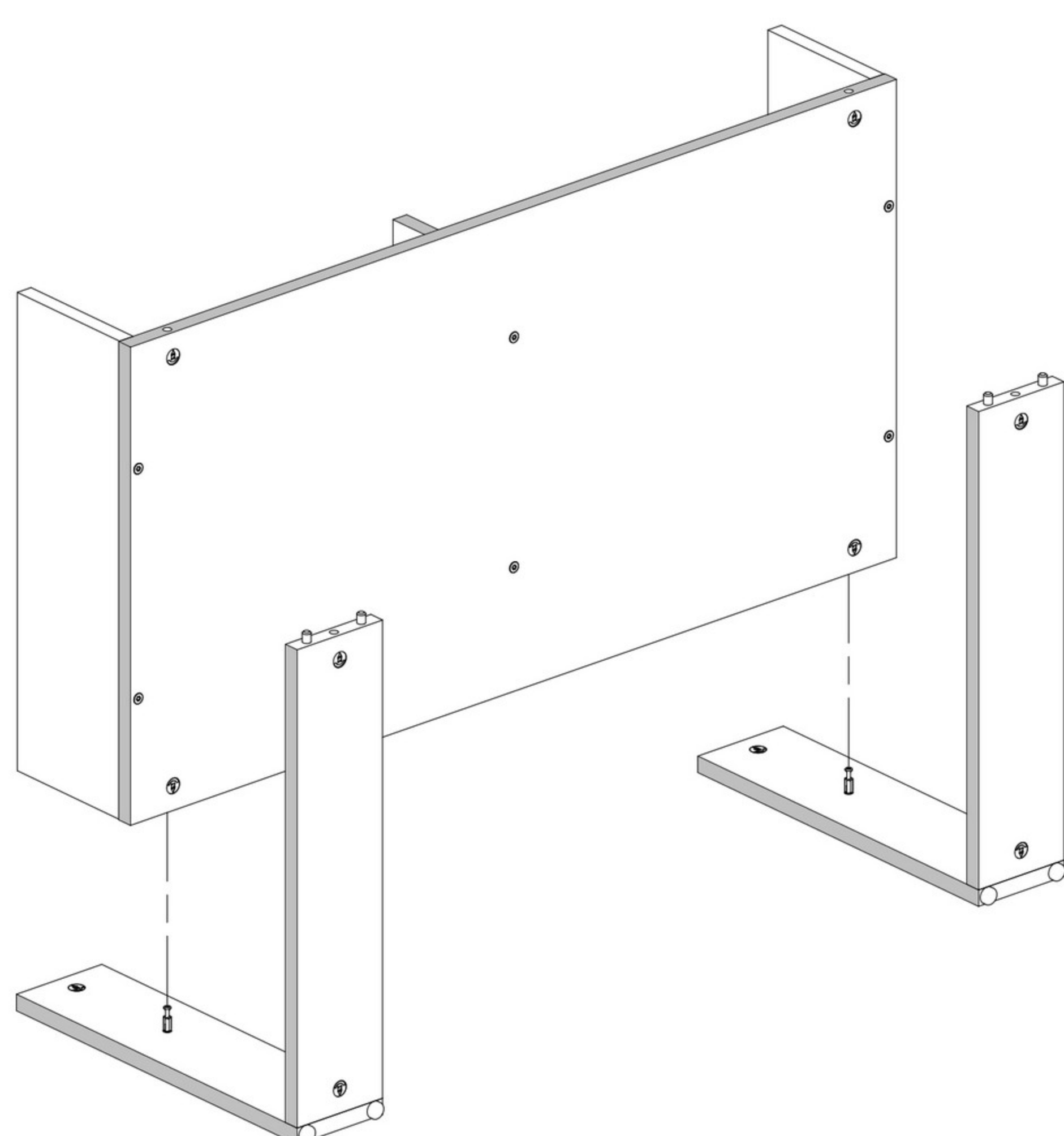
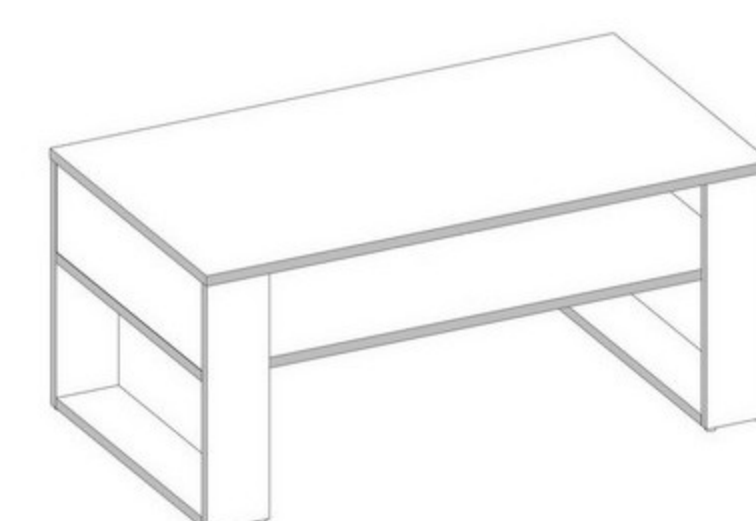
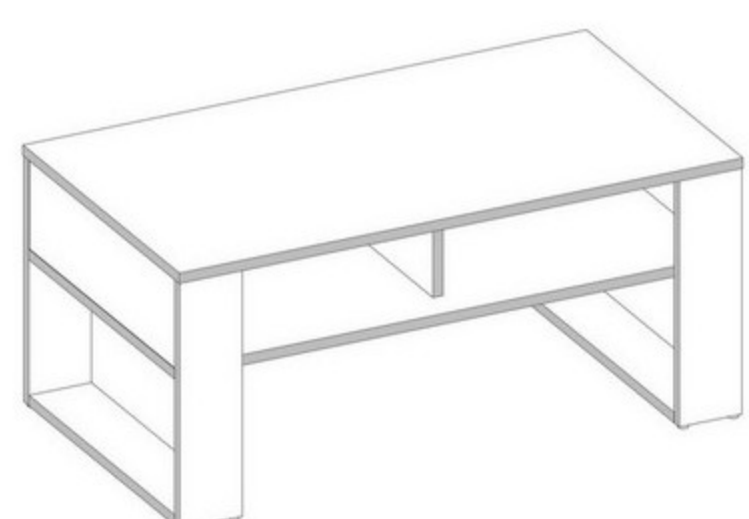
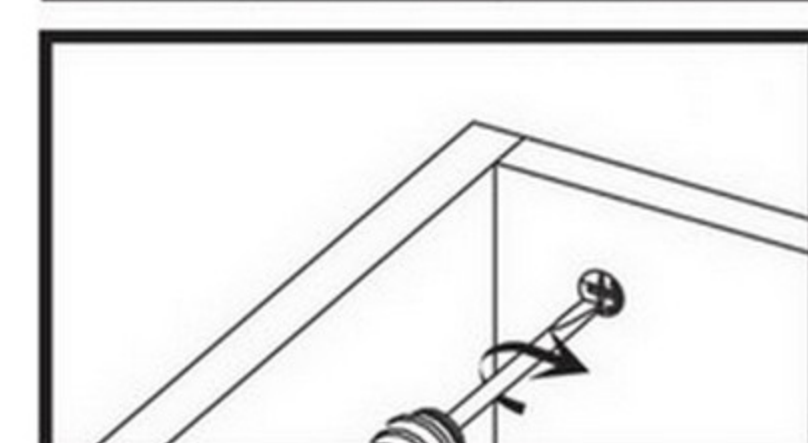
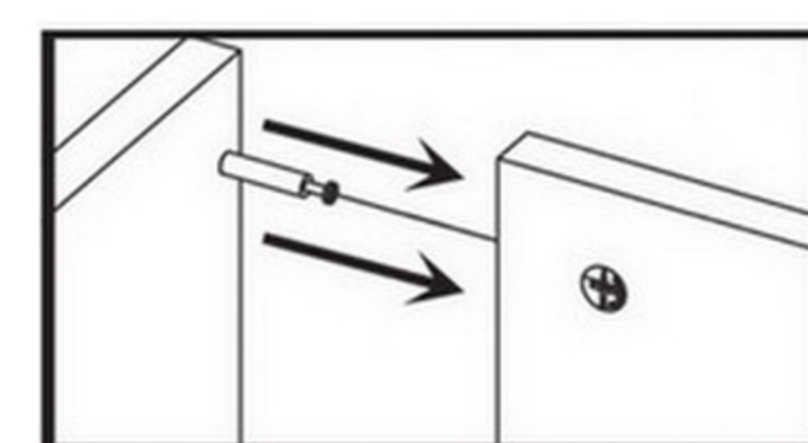
 	 
---	---

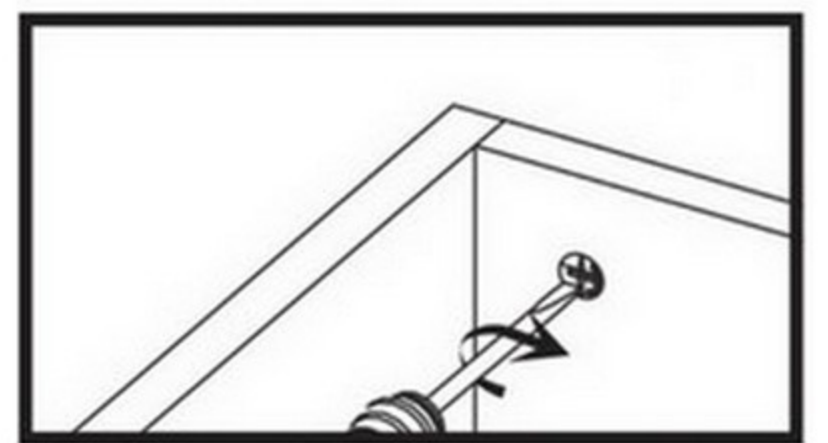
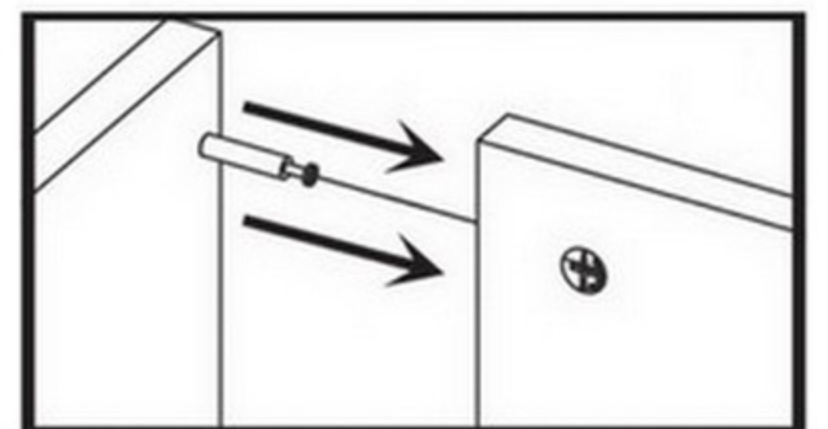
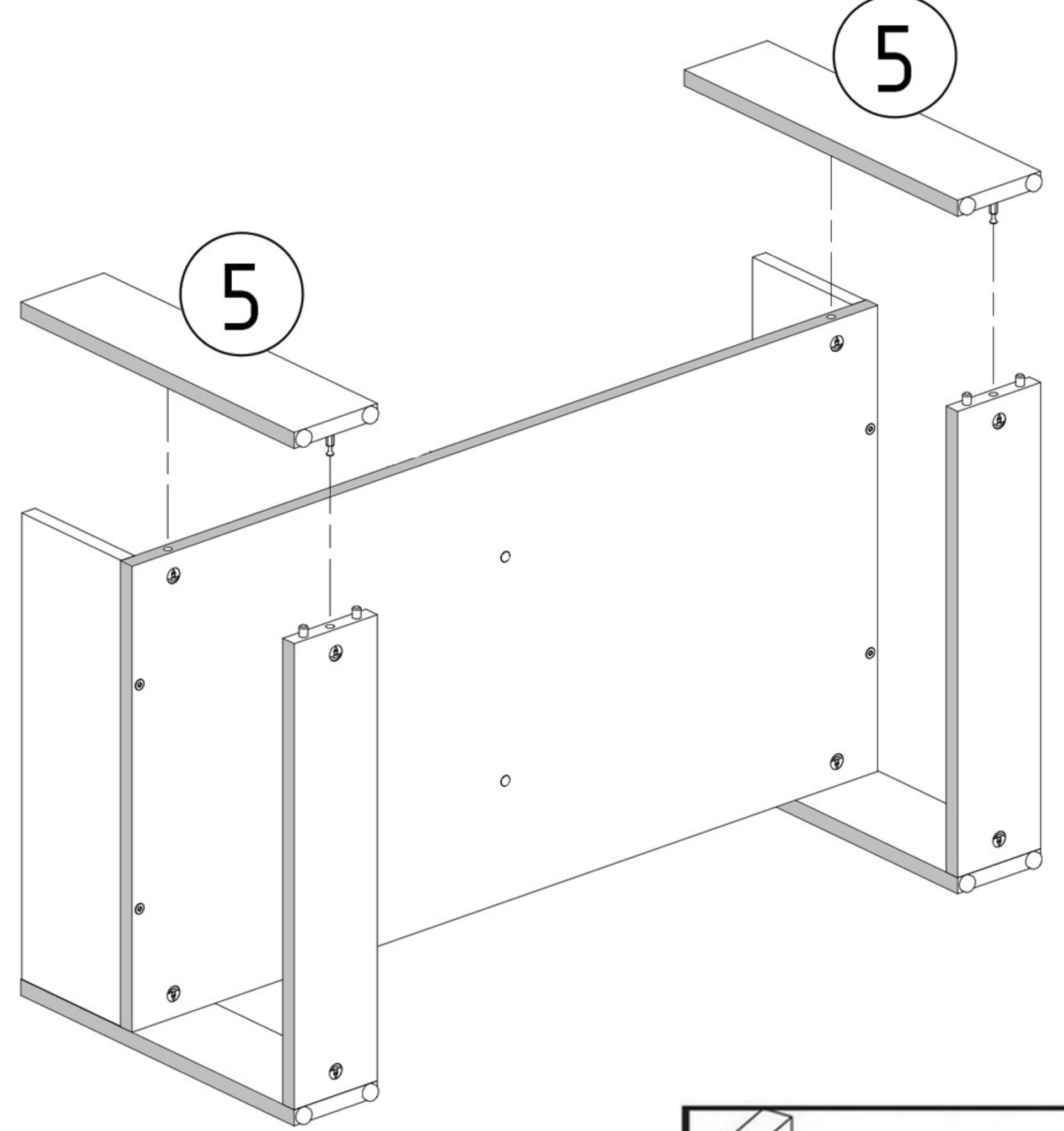
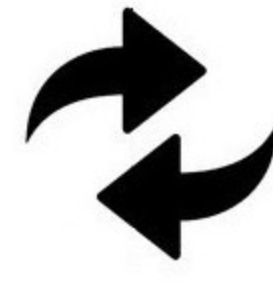
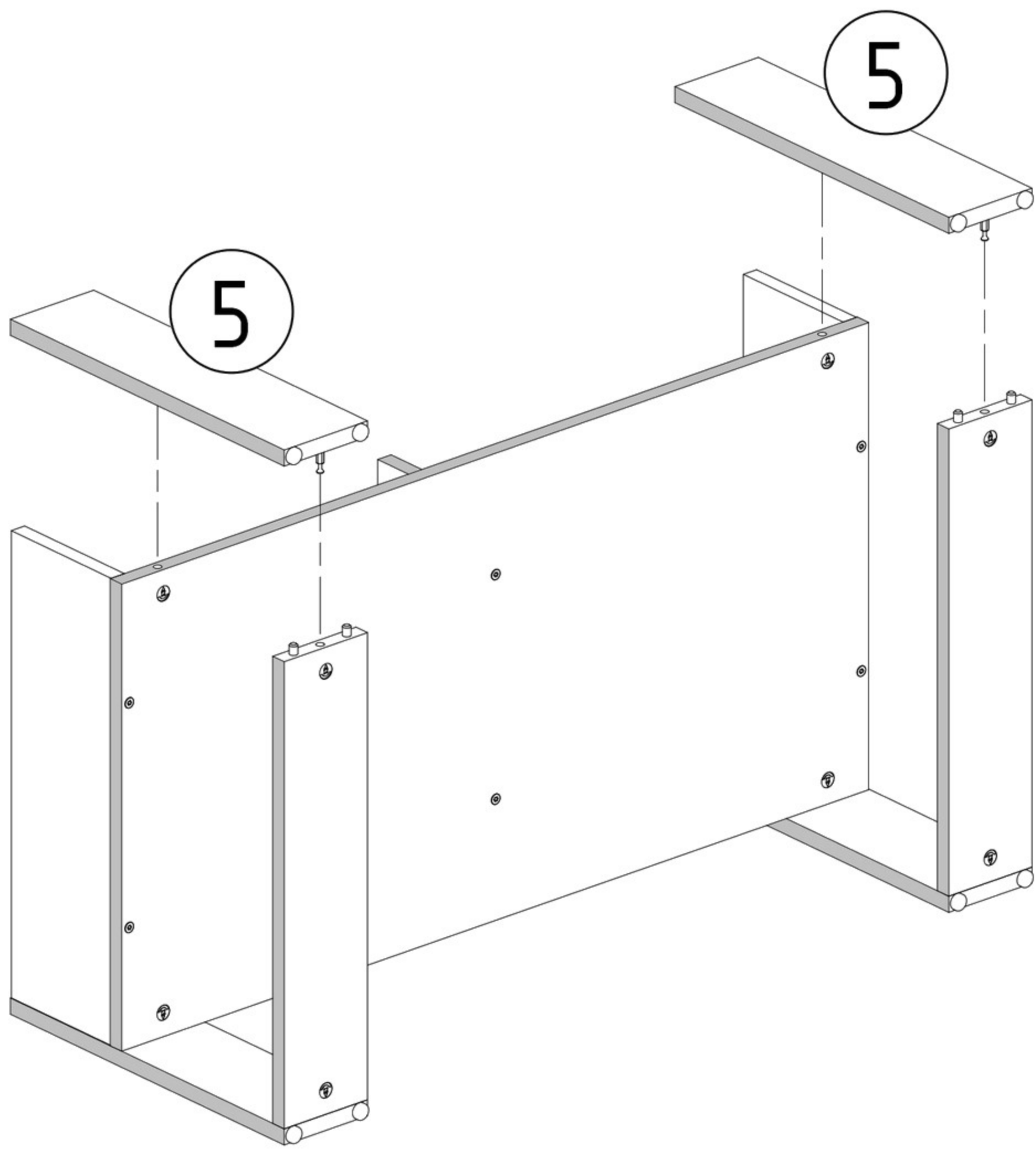
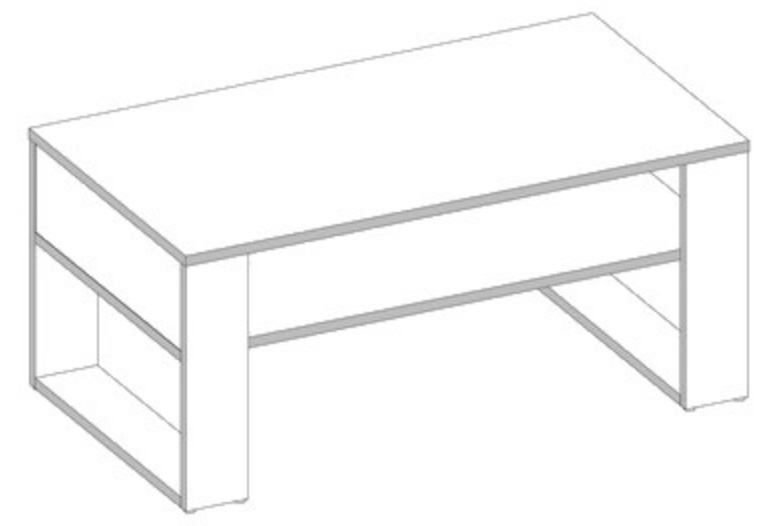
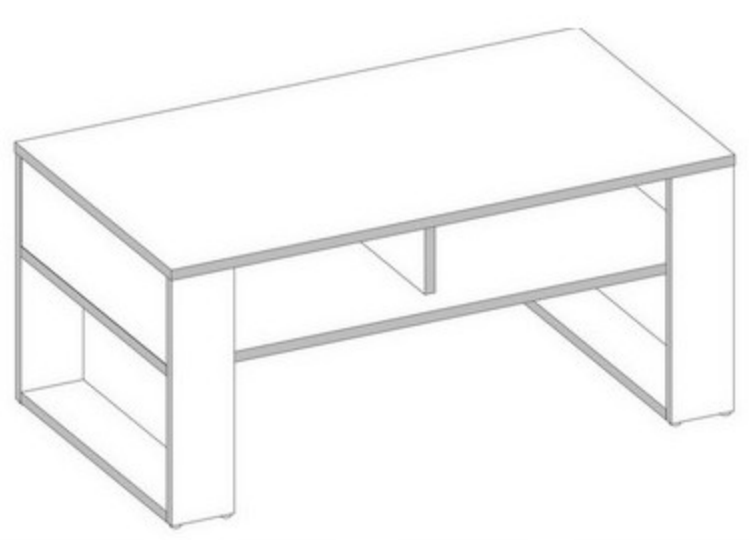


K1
x1

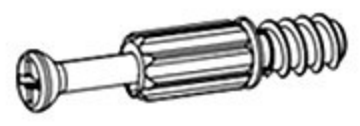


x2

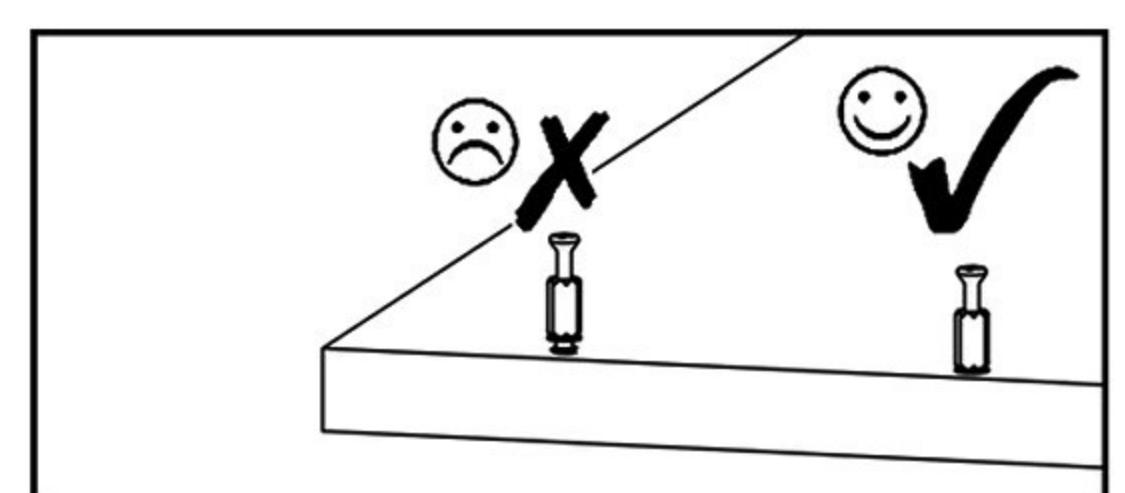
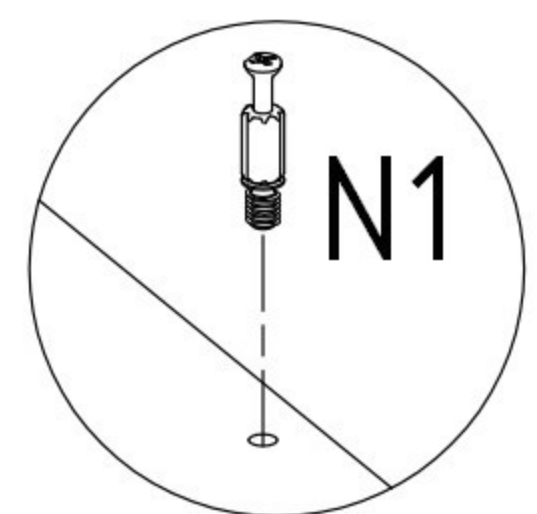
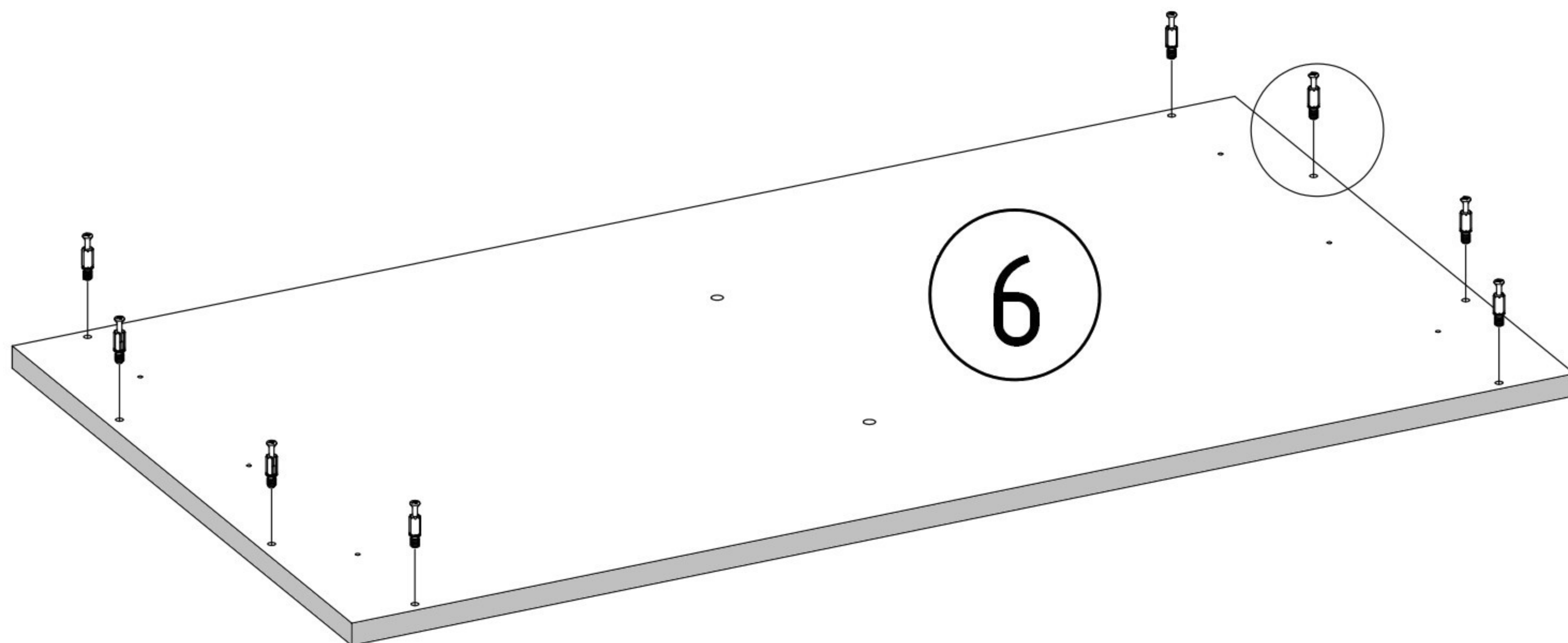




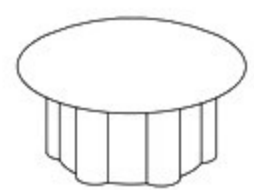
N1



L=35mm x8



B4



∅ 12/8,5mm x2

