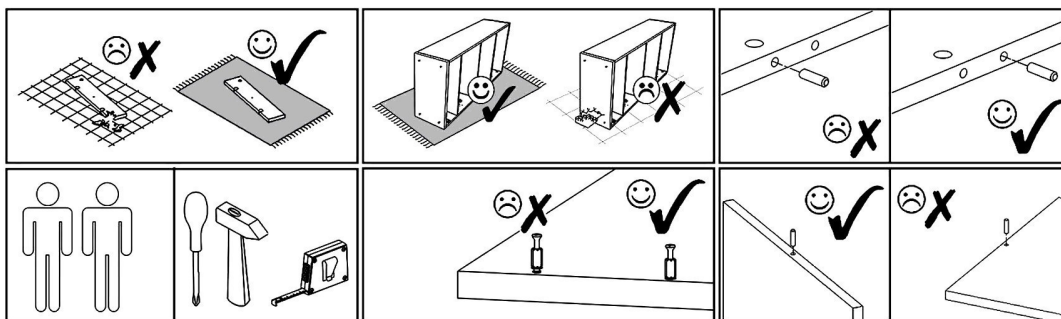
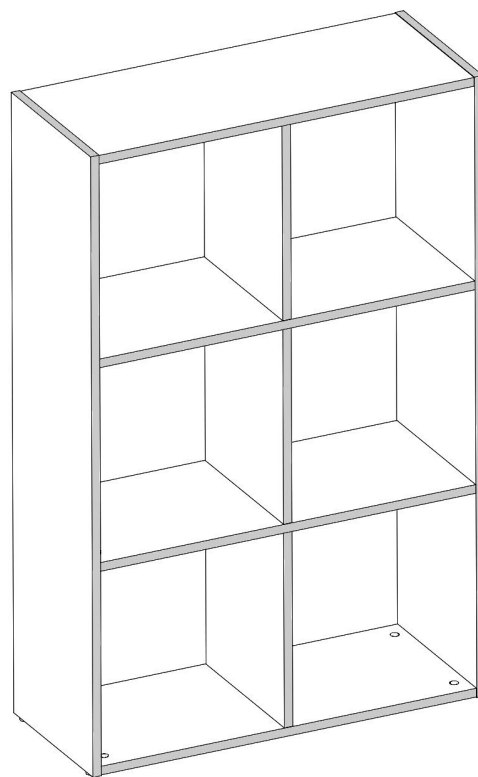
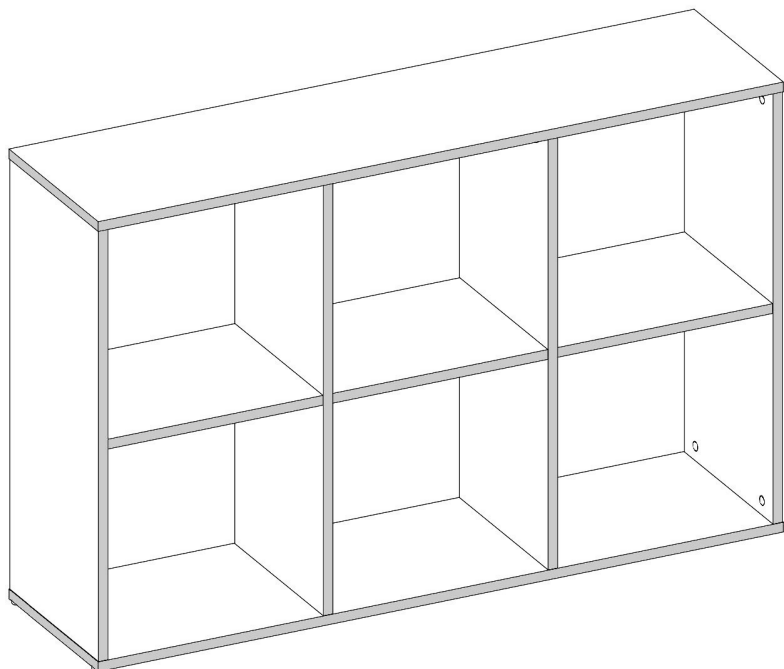


MALAX MINI 2X3

PRODUCTION DATE

PACKING CODE



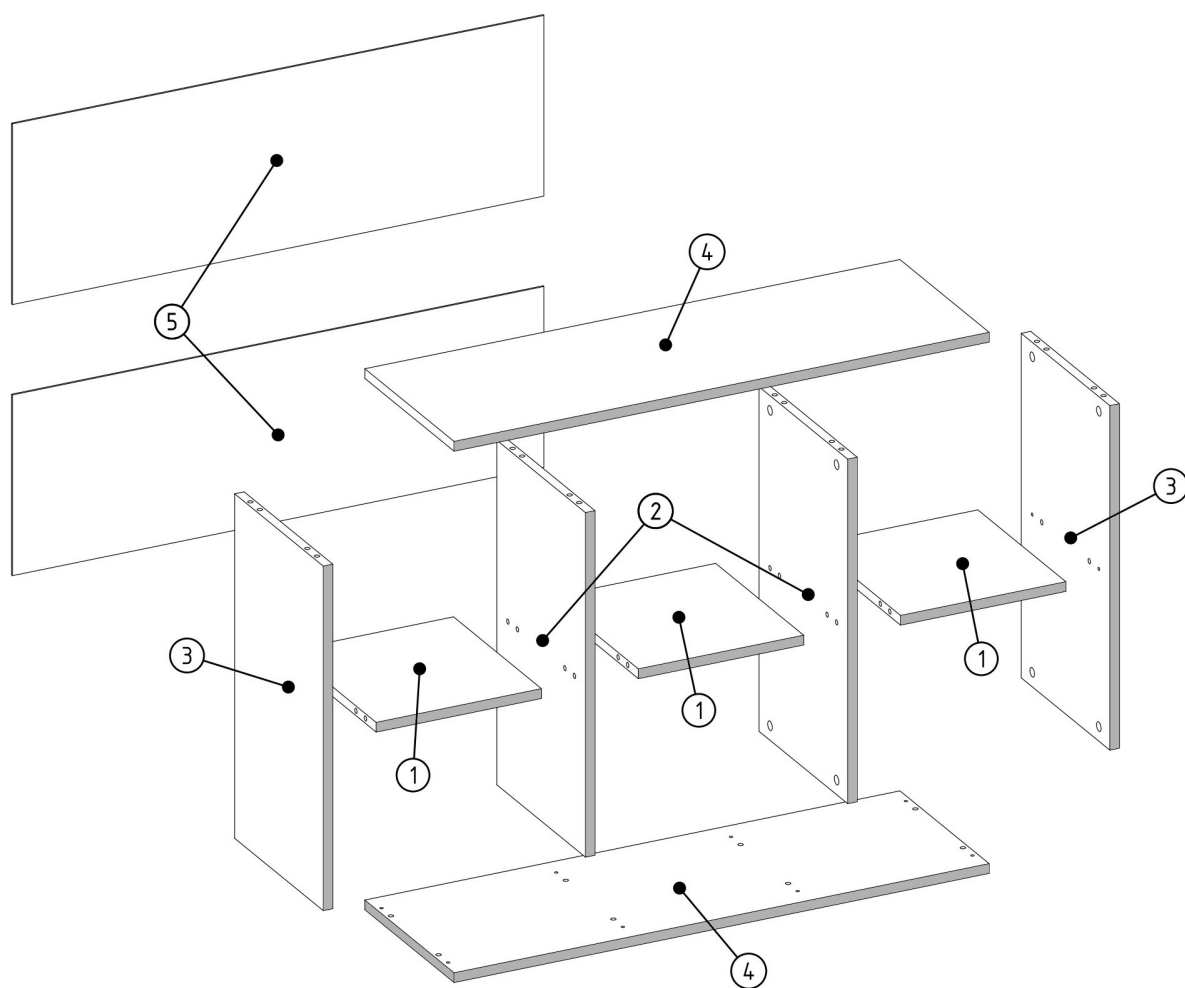
V13 x1	E3 8x50mm x4	N4 L=62mm x4	T1 x6	Z1 x50
----------------------	----------------------------	----------------------------	---------------------	----------------------

M1 12x15mm x28	E1 8x30mm x20	N1 L=35mm x20	B1 ø17/5-4mm x28	B1 S-A ø17/5-4mm x28	B1 Ant ø17/5-4mm x28	B1 K ø17/5-4mm x28	V15 x10
------------------------------	-----------------------------	-----------------------------	--------------------------------	------------------------------------	------------------------------------	----------------------------------	-----------------------


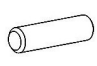
MALAX MINI 2X3

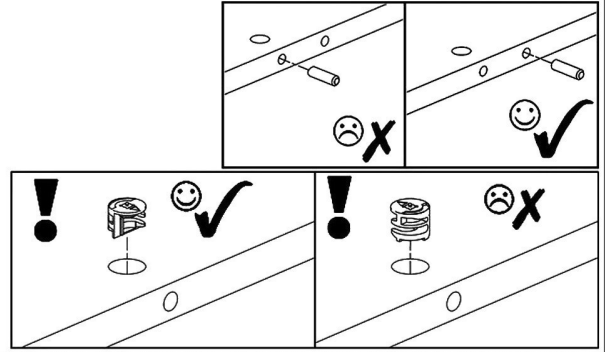
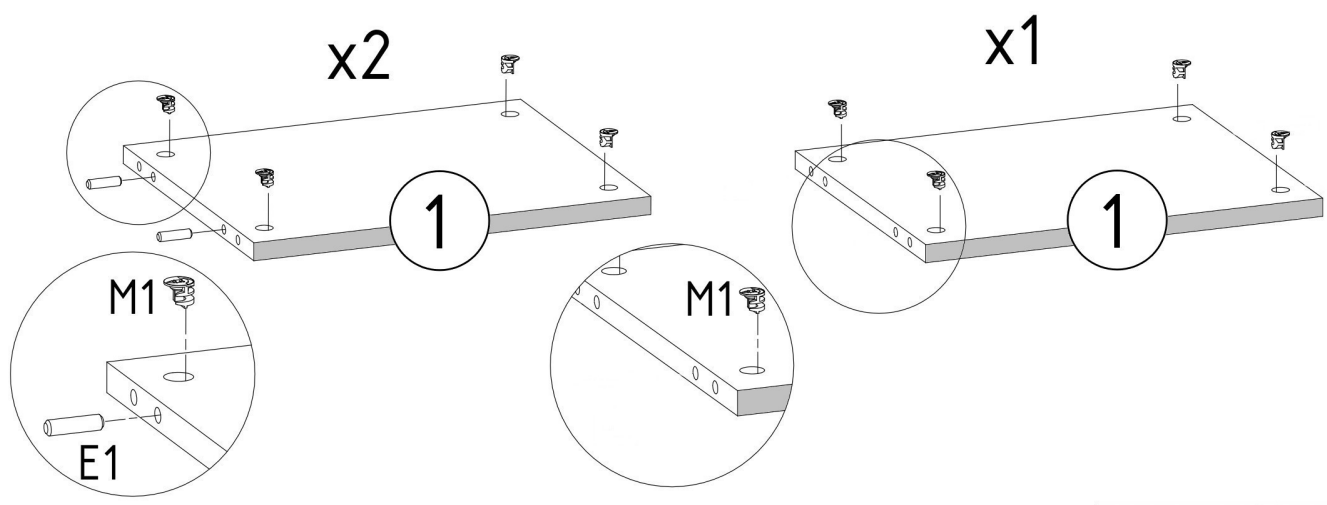
PRODUCTION DATE


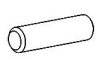
PACKING CODE

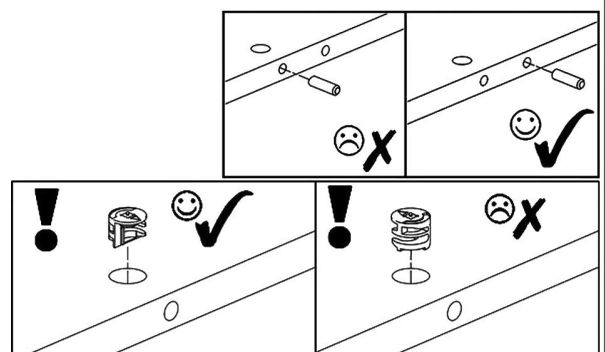
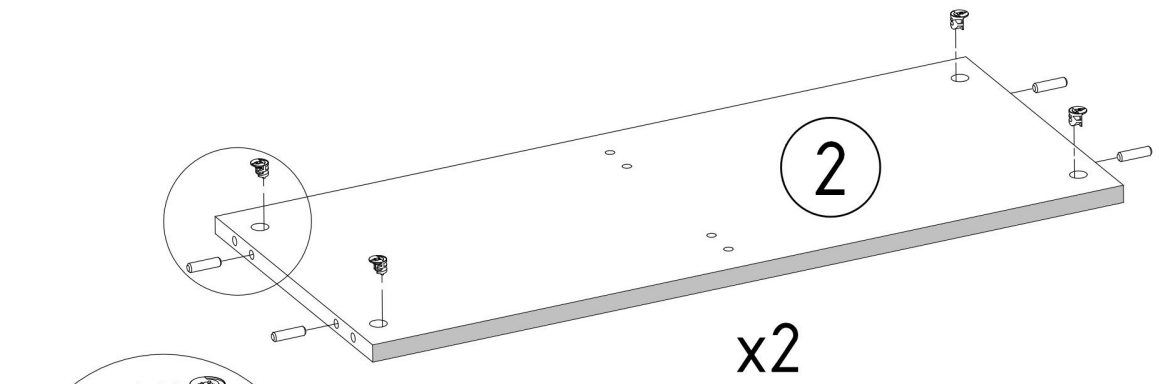





001602	5	2
001603	4	2
001605	3	2
001601	2	2
001604	1	3
ID	NUMBER	QUANTITY

M1  12x15mm	E1  8x30mm
x12	x4

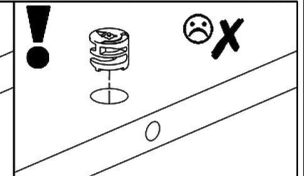
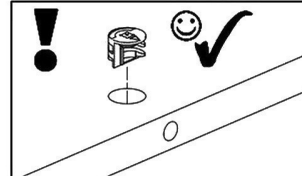
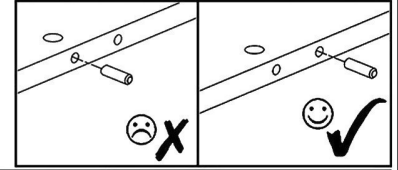
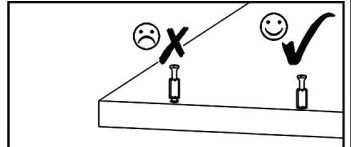
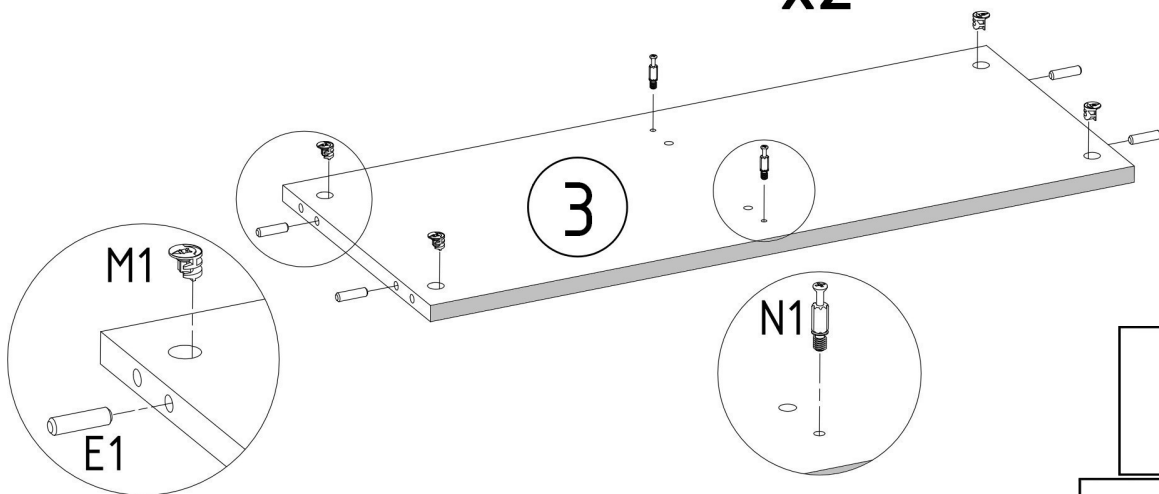




M1  12x15mm	E1  8x30mm
x8	x8

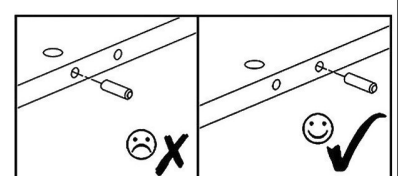
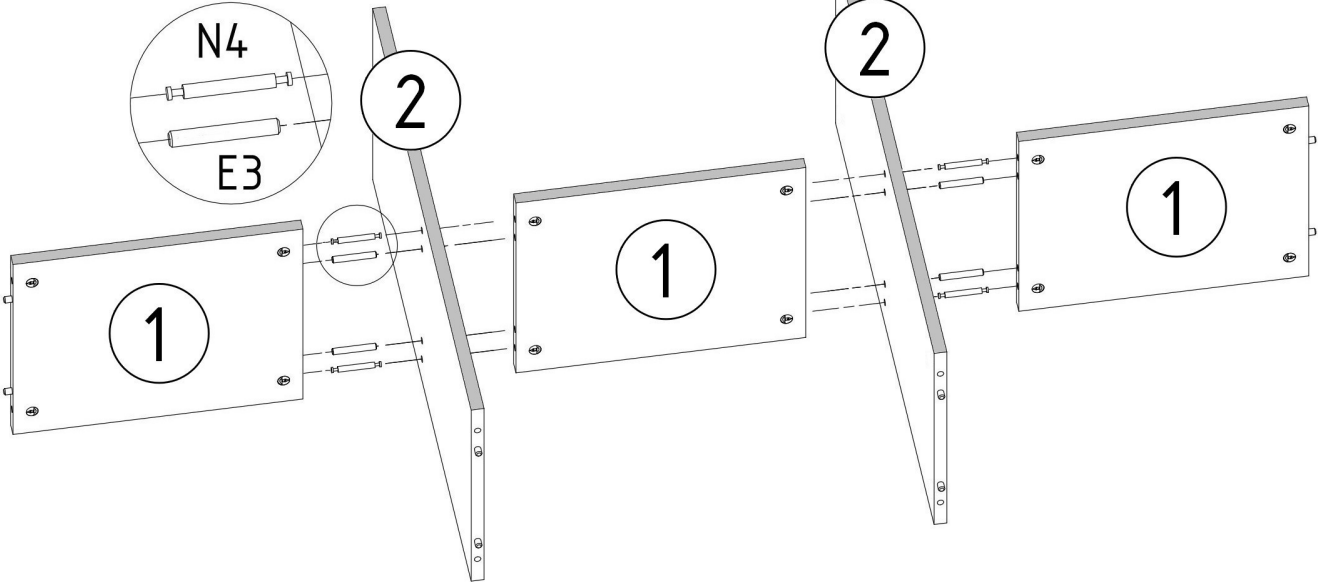
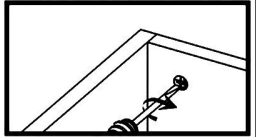
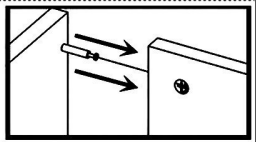


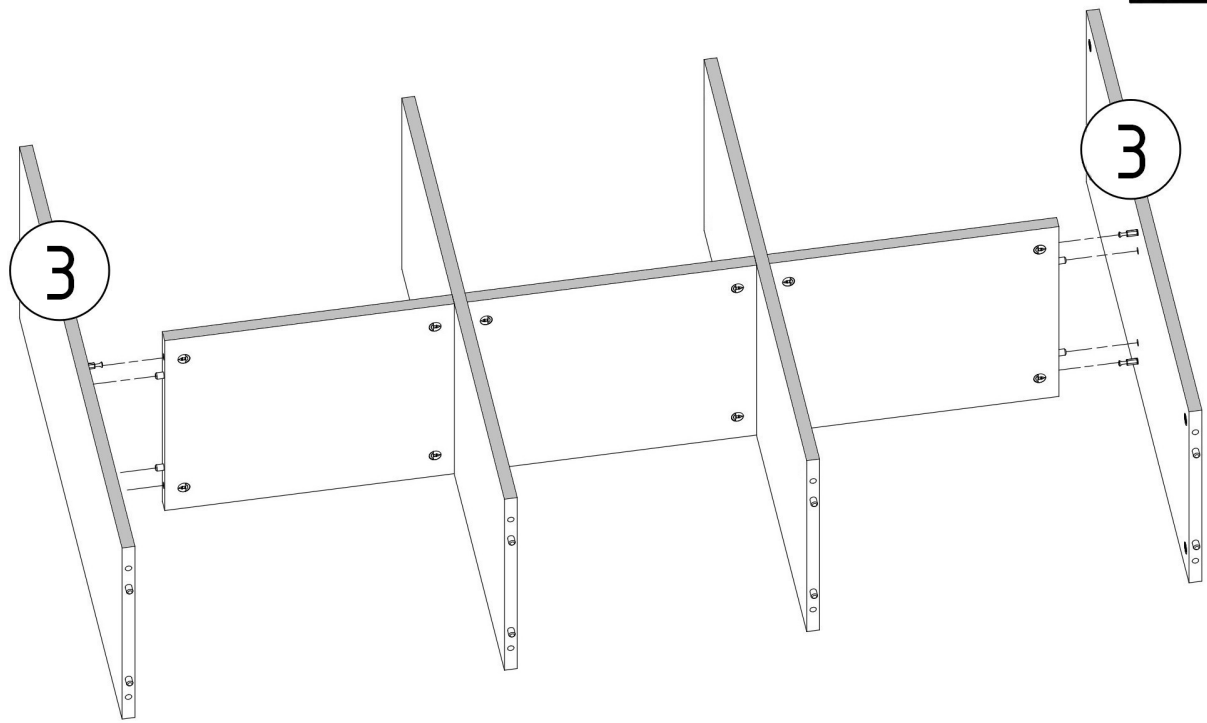
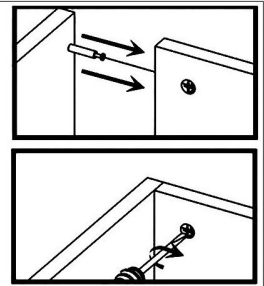
M1  12x15mm	E1  8x30mm	N1  8xL=35mm
x8	x8	x4

x2



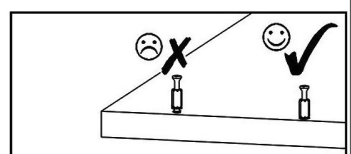
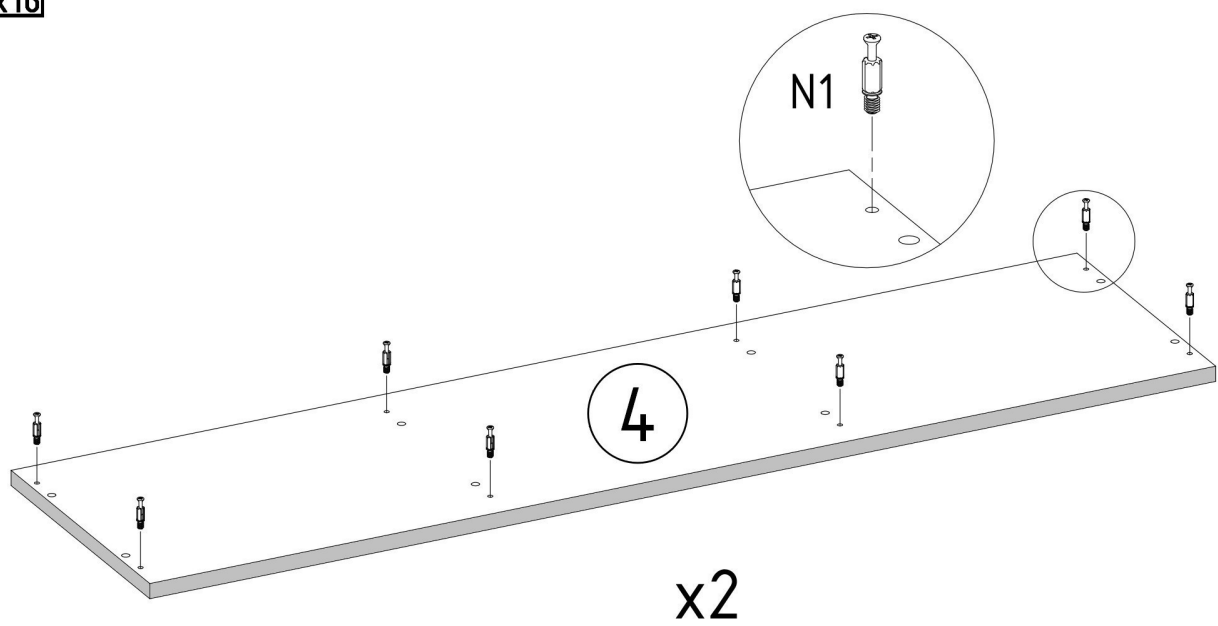
E3  8x50mm	N4  L=62mm
x4	x4

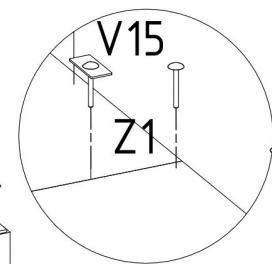
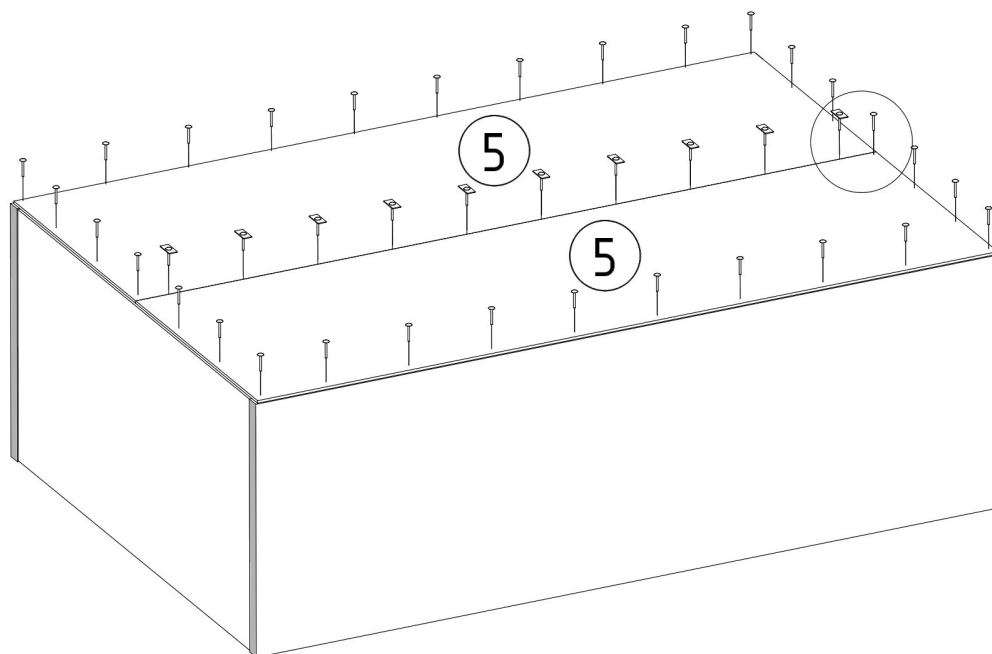
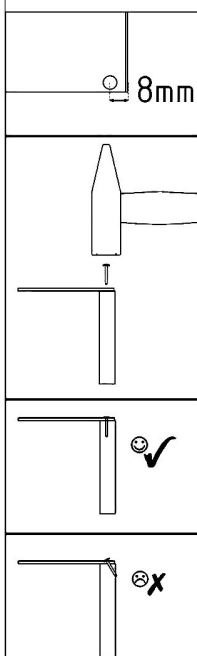
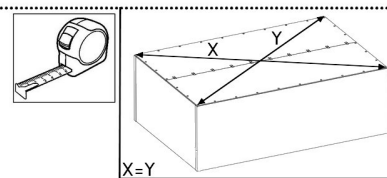
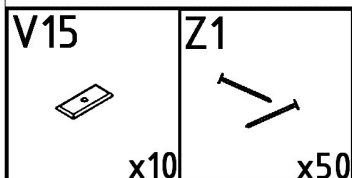
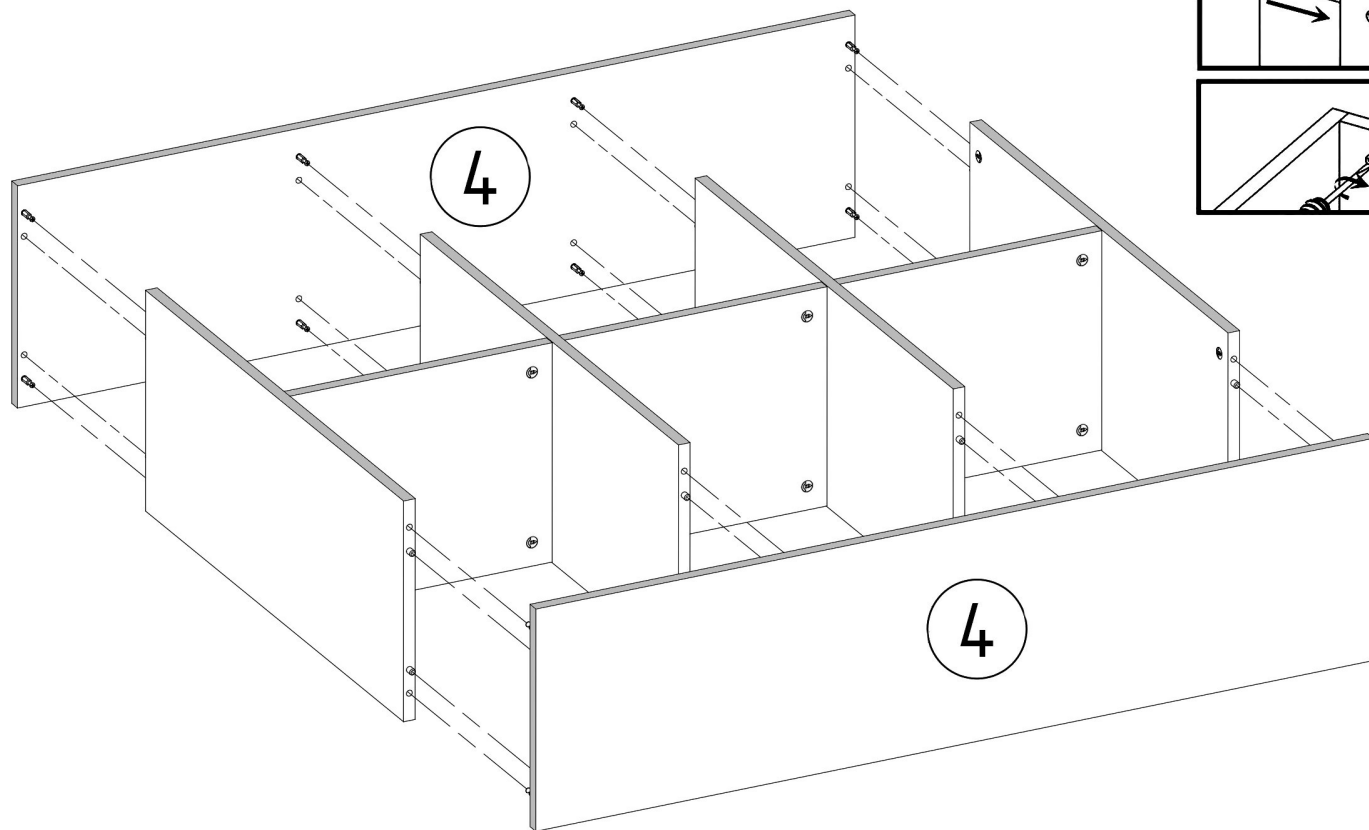




N1

L=35mm x16

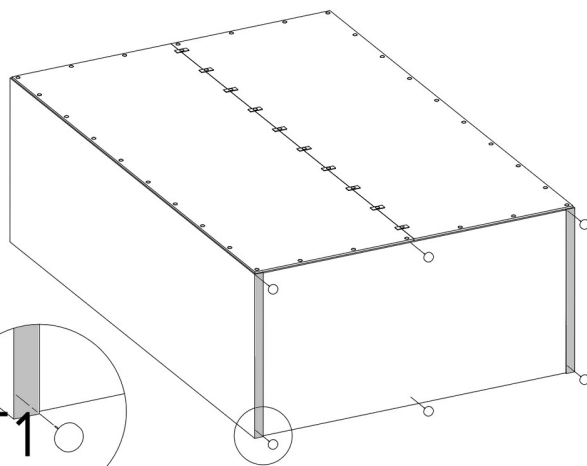
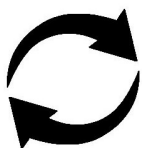
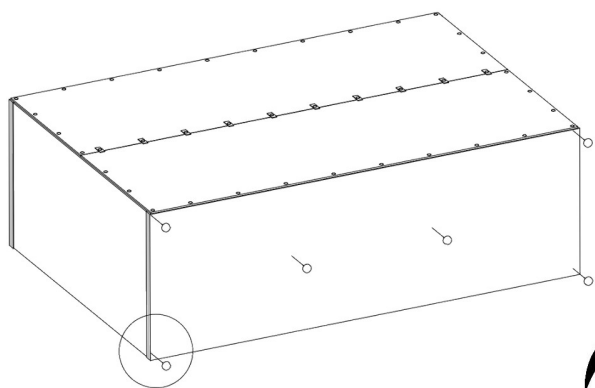




T1



x6



B1



ø17/5-4mm x28

