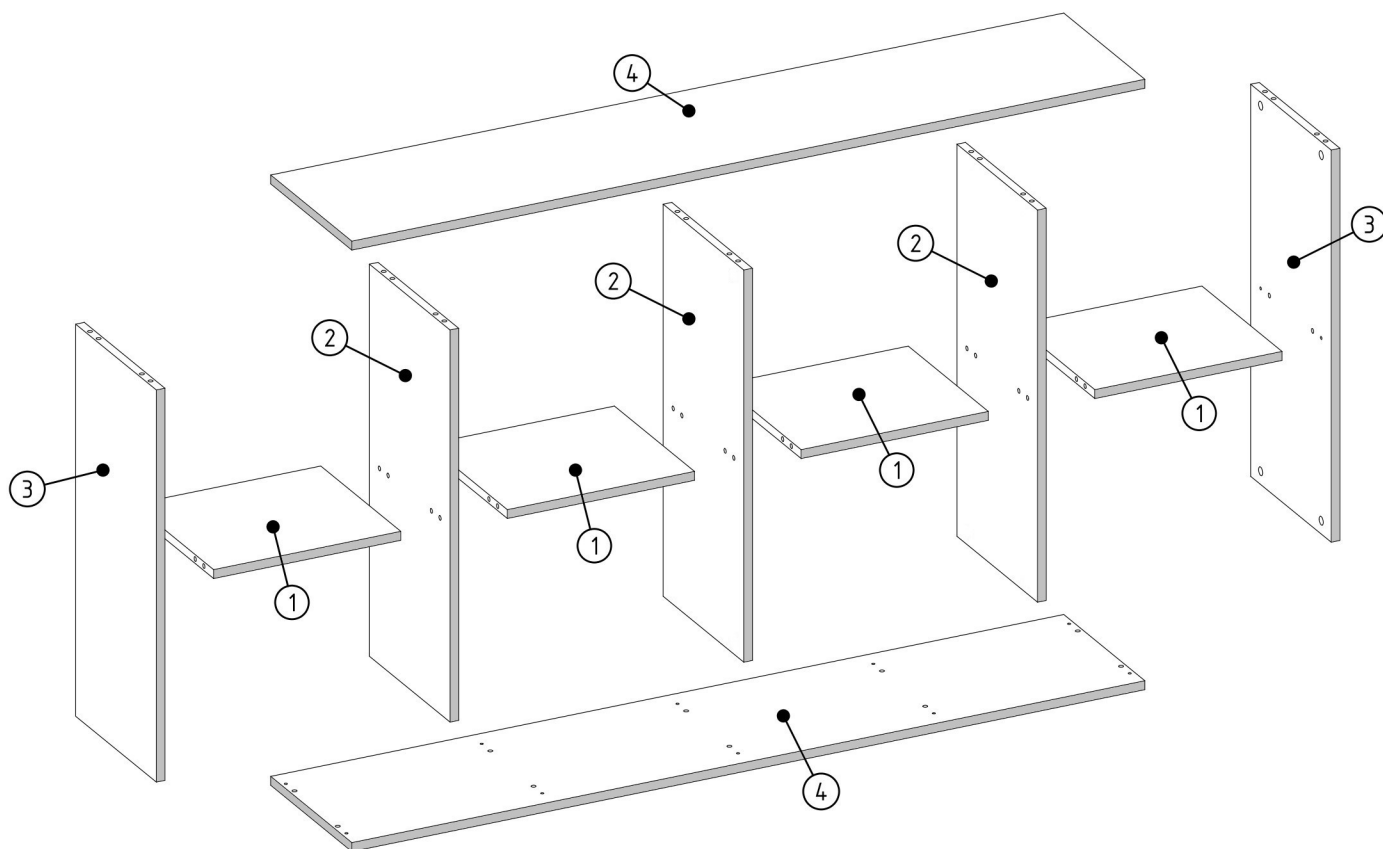

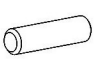


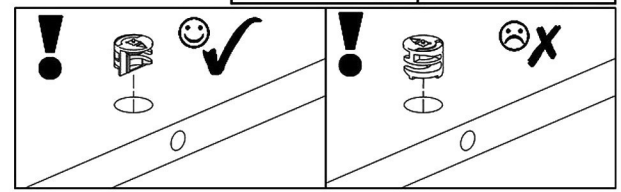
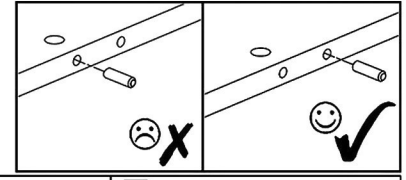
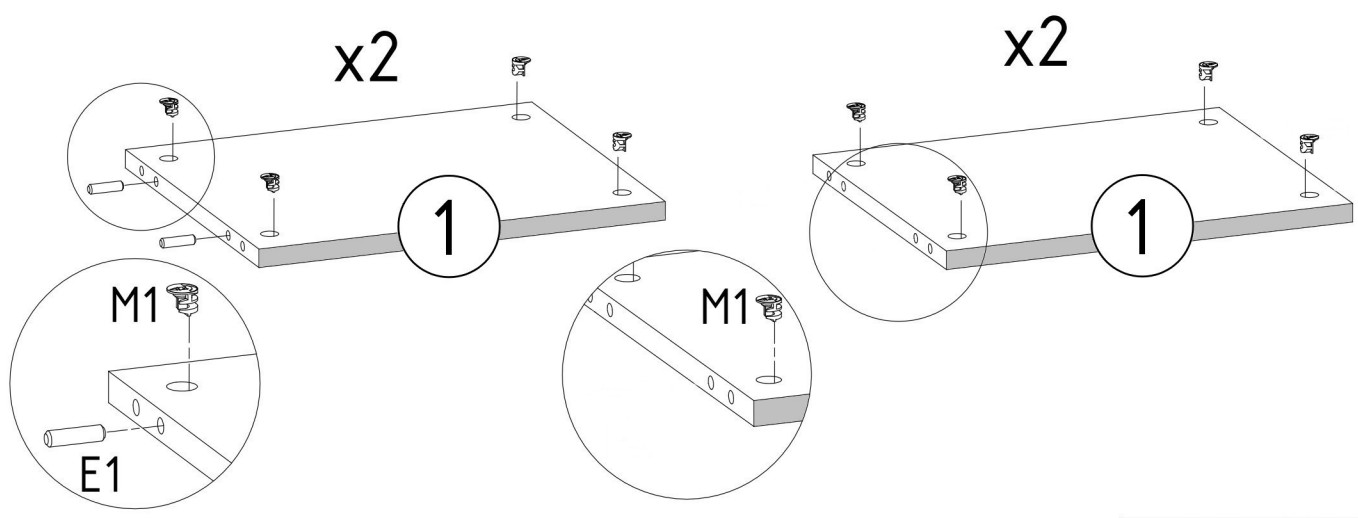
V13 x1	E3 x6
----------------------	---------------------


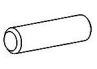
M1 12x15mm x36	E1 8x30mm x24	N1 L=35mm x24	B1 ø17/5-4mm x36	B1 ø17/5-4mm x36	B1 ø17/5-4mm x36	N4 L=62mm x6	T1 x6
------------------------------	-----------------------------	-----------------------------	--------------------------------	--------------------------------	--------------------------------	----------------------------	---------------------

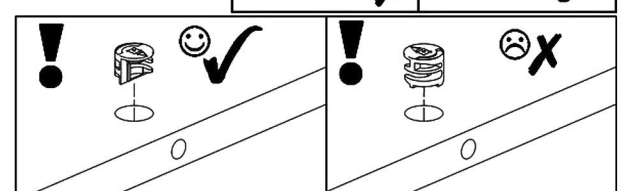
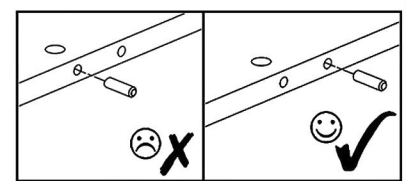
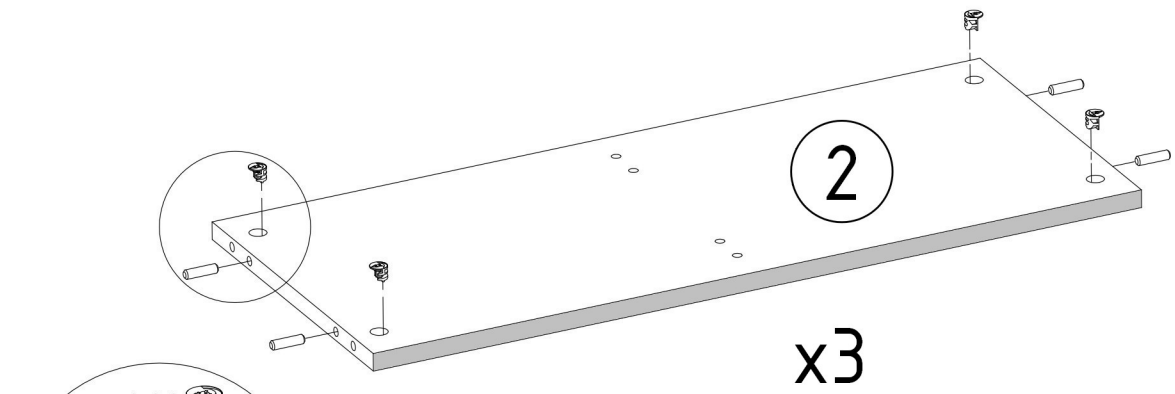





1	x	4
2	x	3
3	x	2
4	x	2

M1  12x15mm	E1  8x30mm
x16	x4

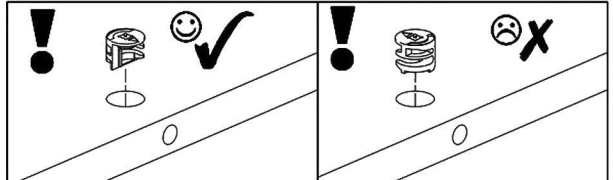
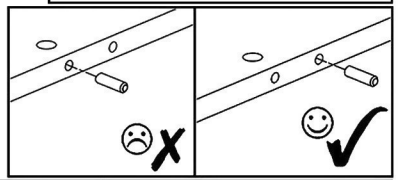
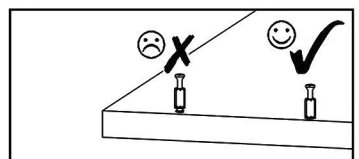
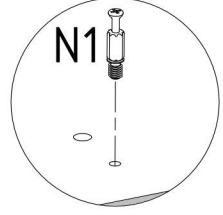
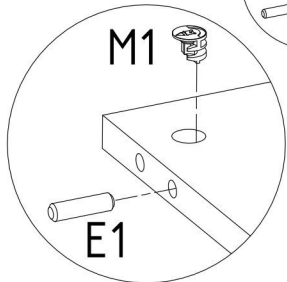
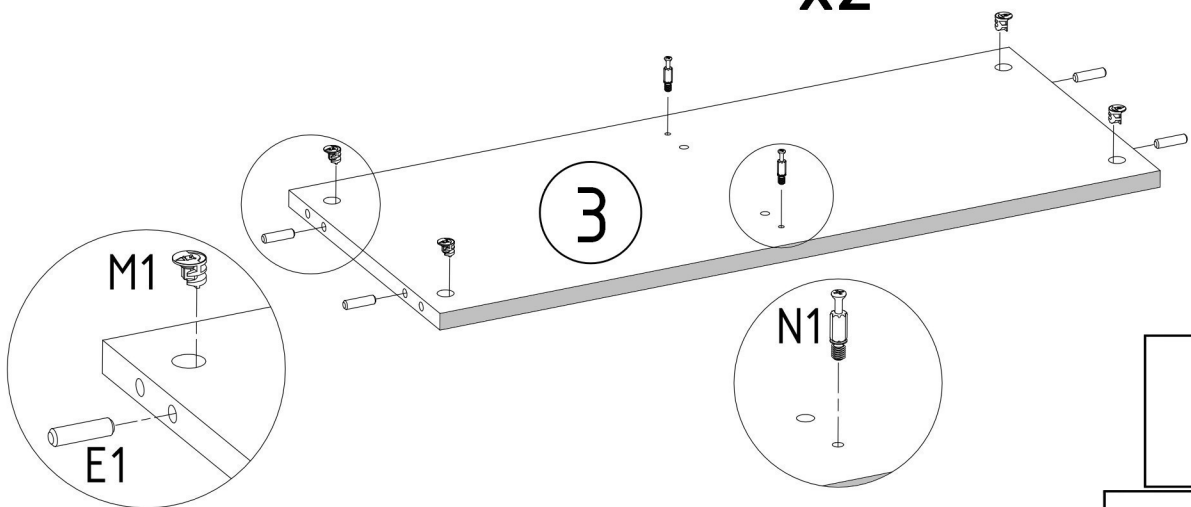




M1  12x15mm	E1  8x30mm
x12	x12

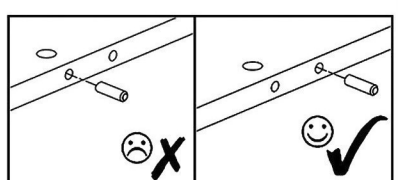
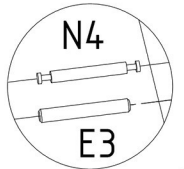
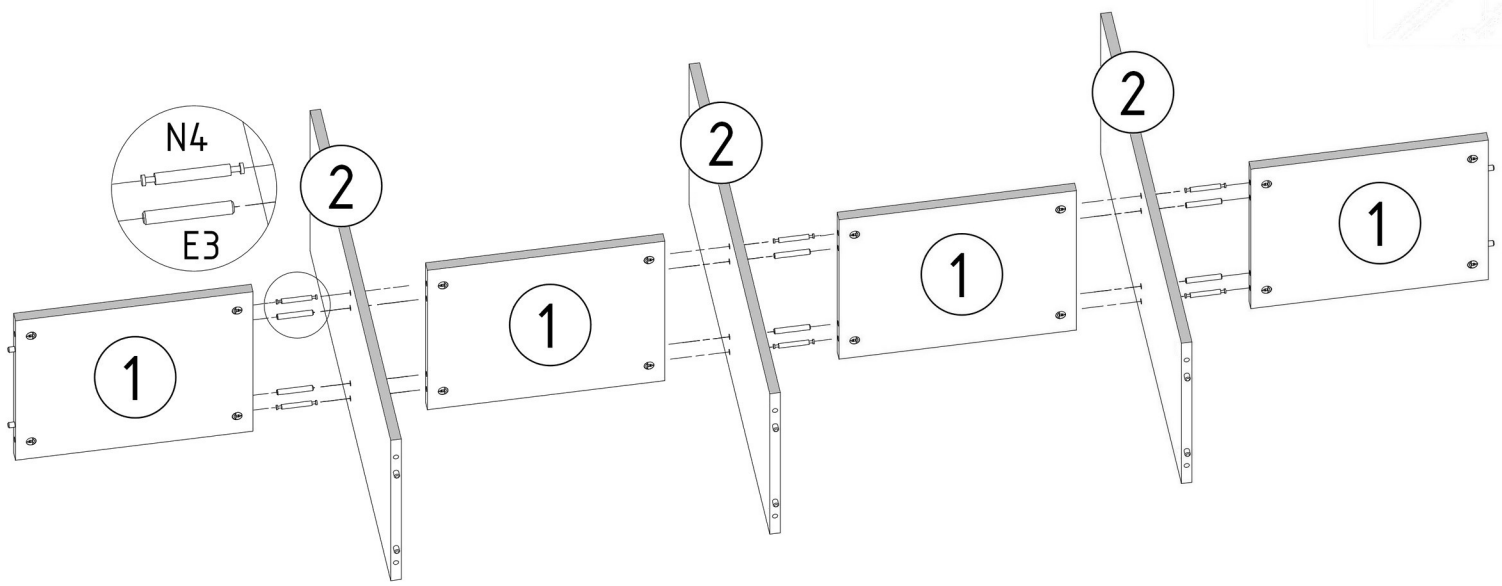
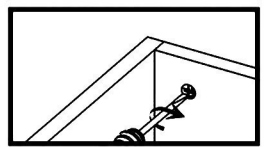
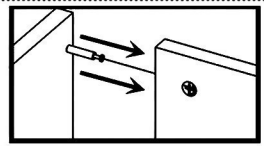


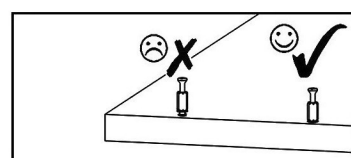
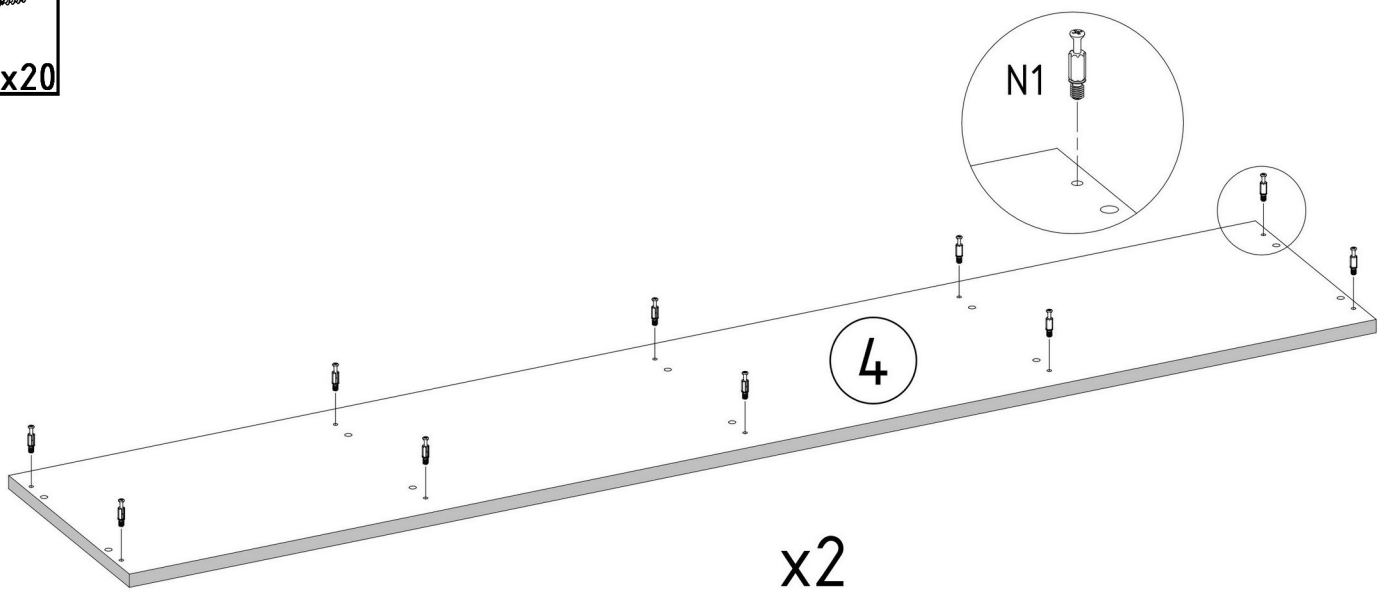
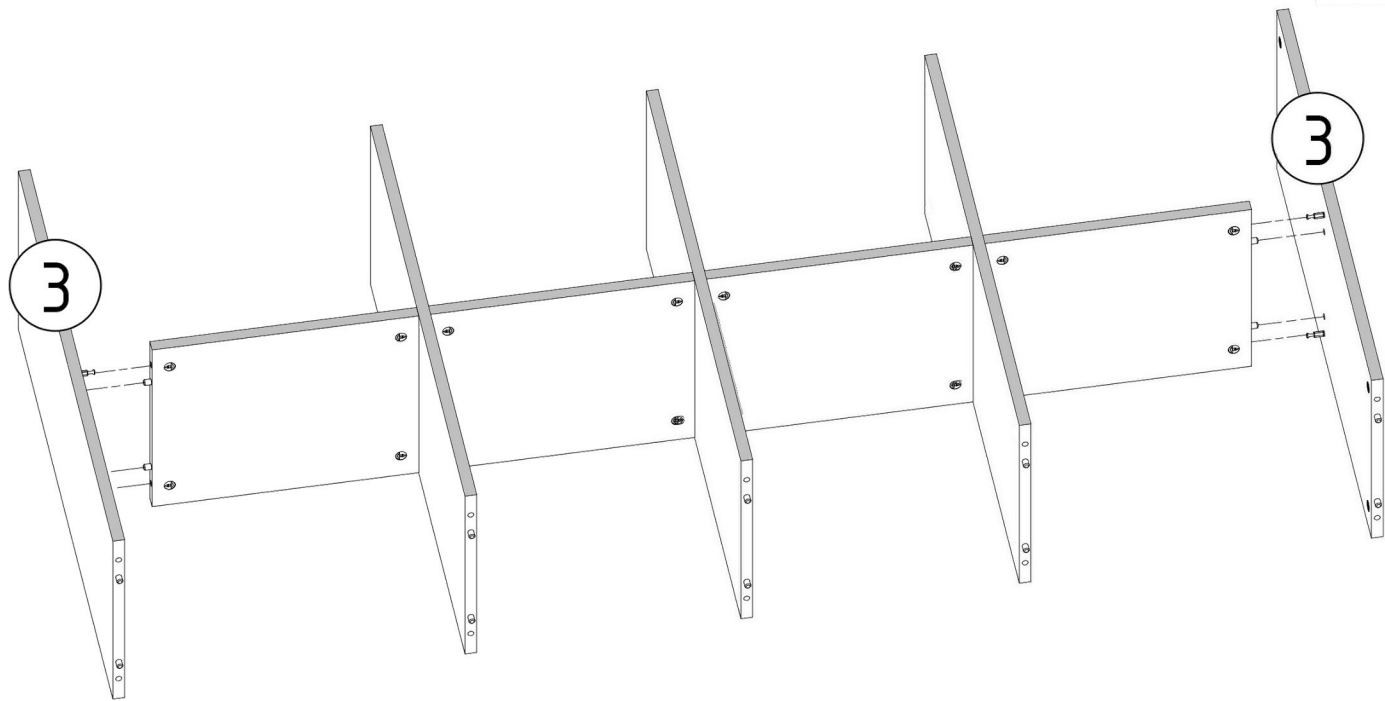
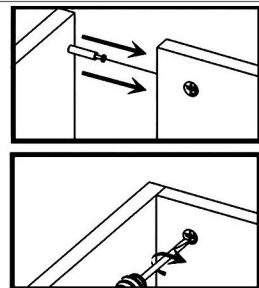
M1  12x15mm x8	E1  8x30mm x8	N1  L=35mm x4
---	---	---

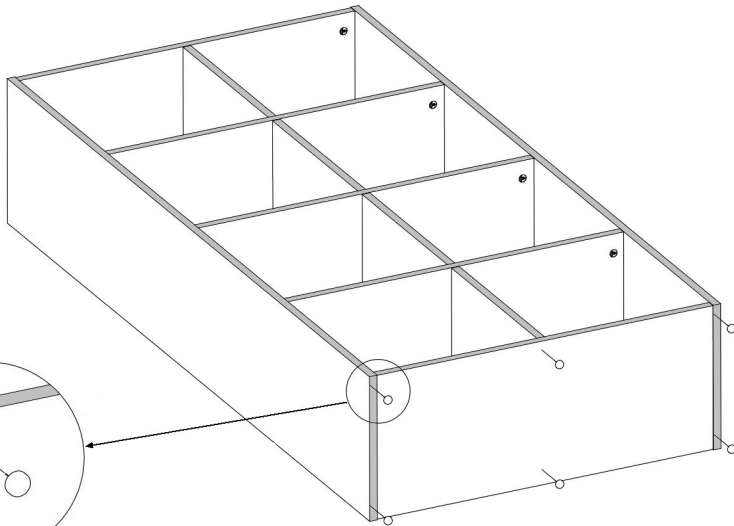
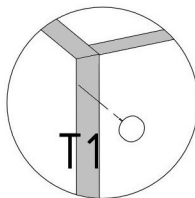
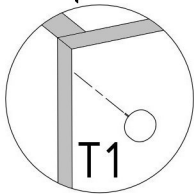
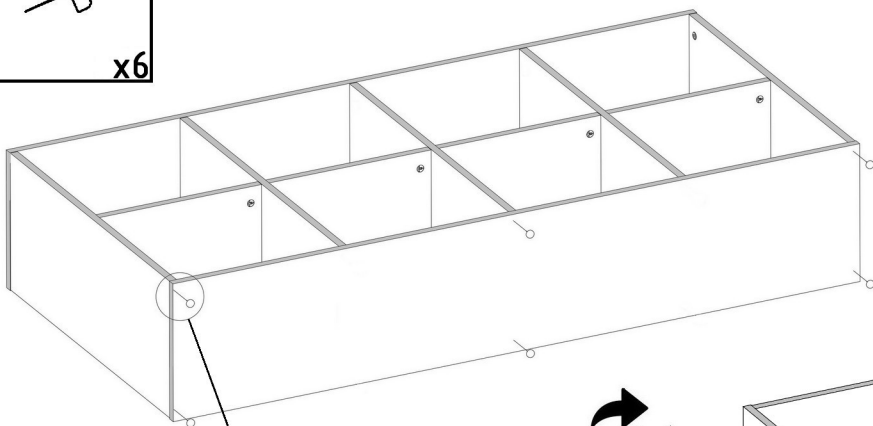
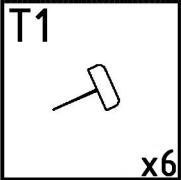
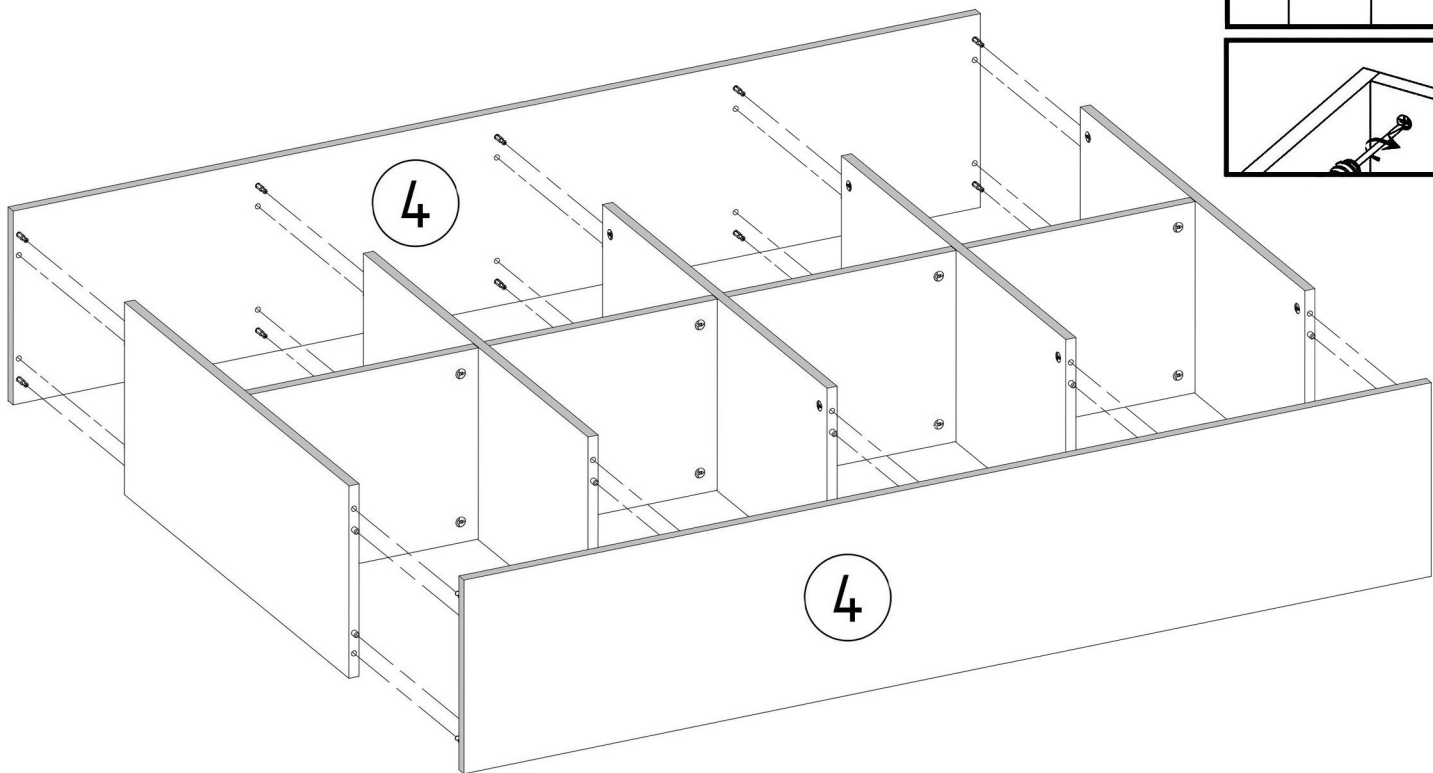
x2



E3  8x50mm x6	N4  L=62mm x6
--	---



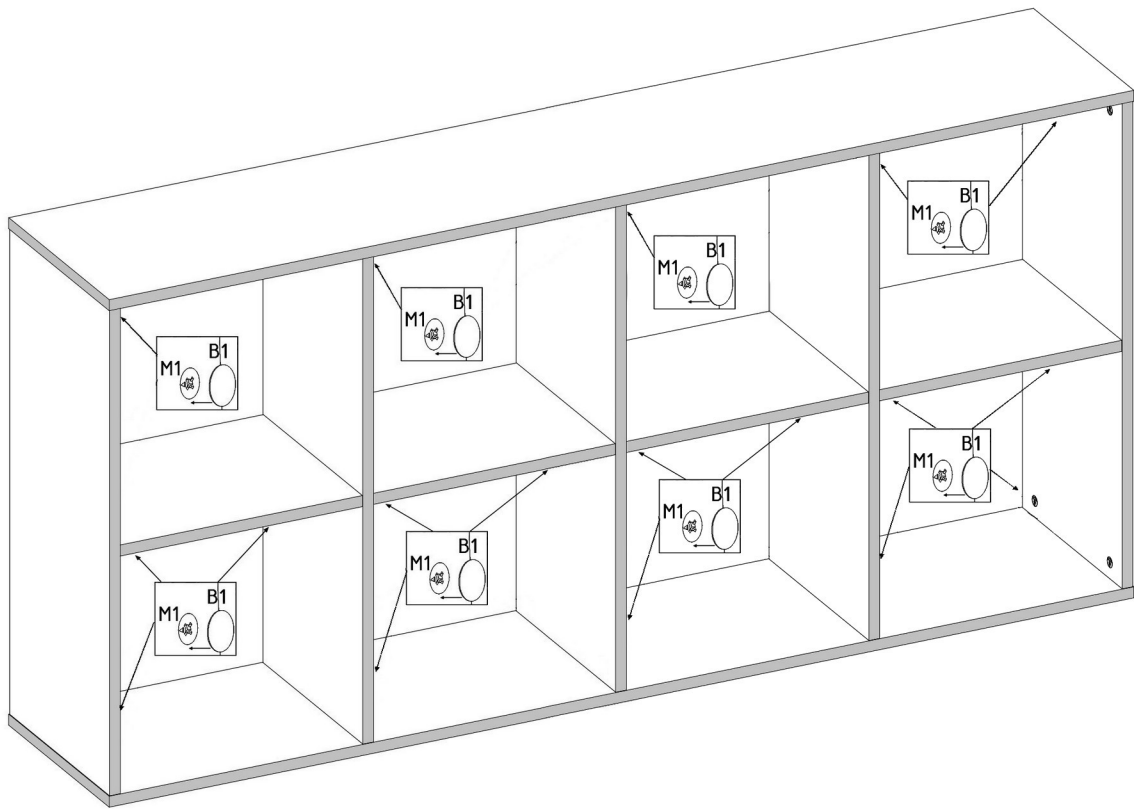




B1



ø17/5-4mm x36



V13



x1

