
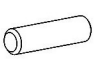
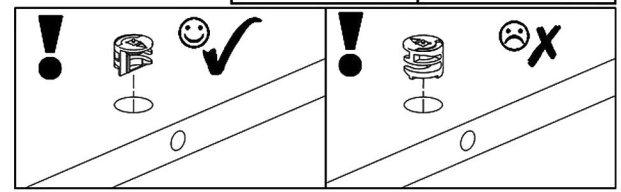
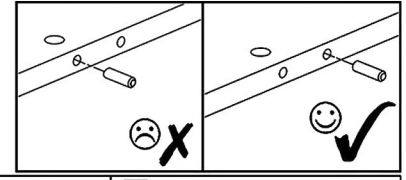
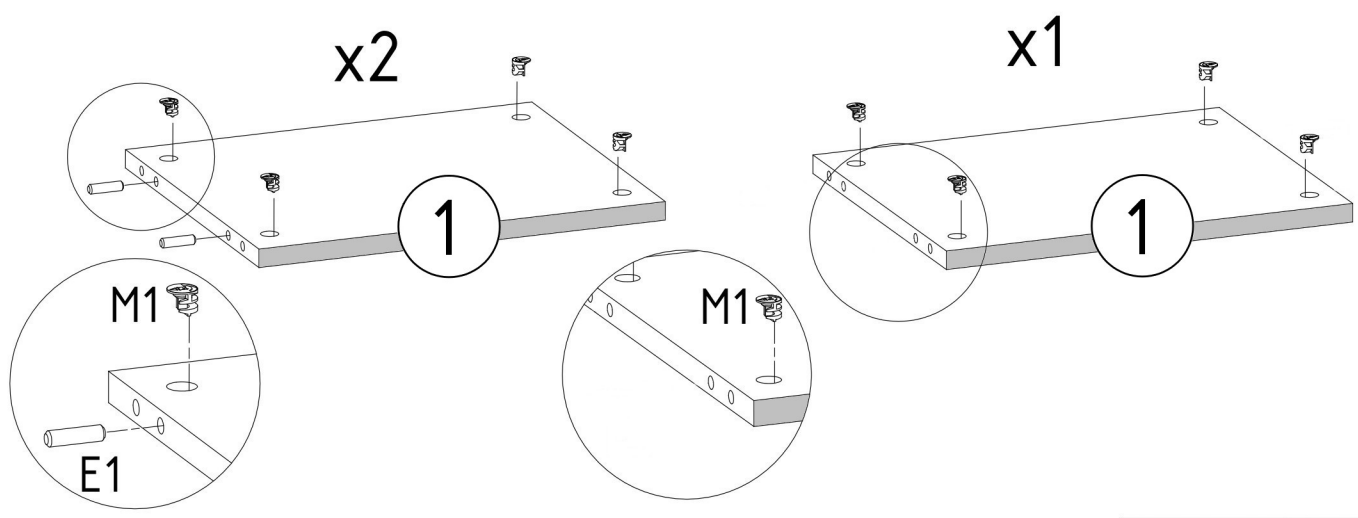

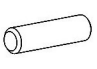
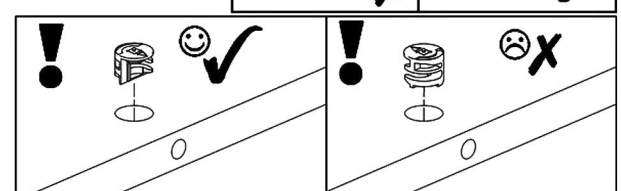
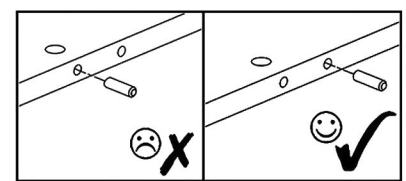
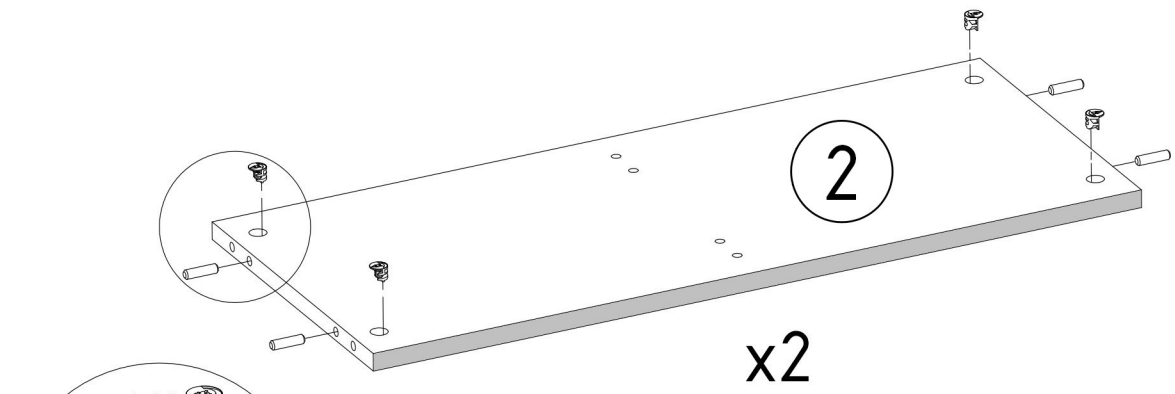





1	x	3
2	x	2
3	x	2
4	x	2

M1  12x15mm	E1  8x30mm
x12	x4

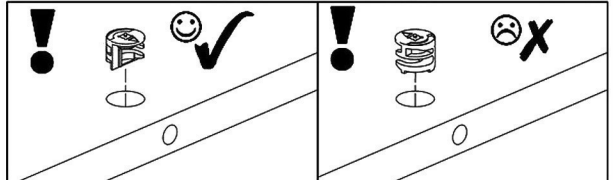
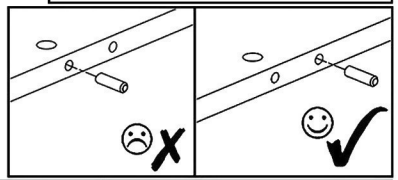
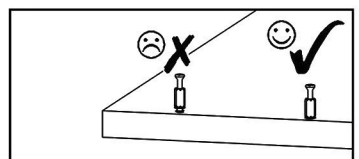
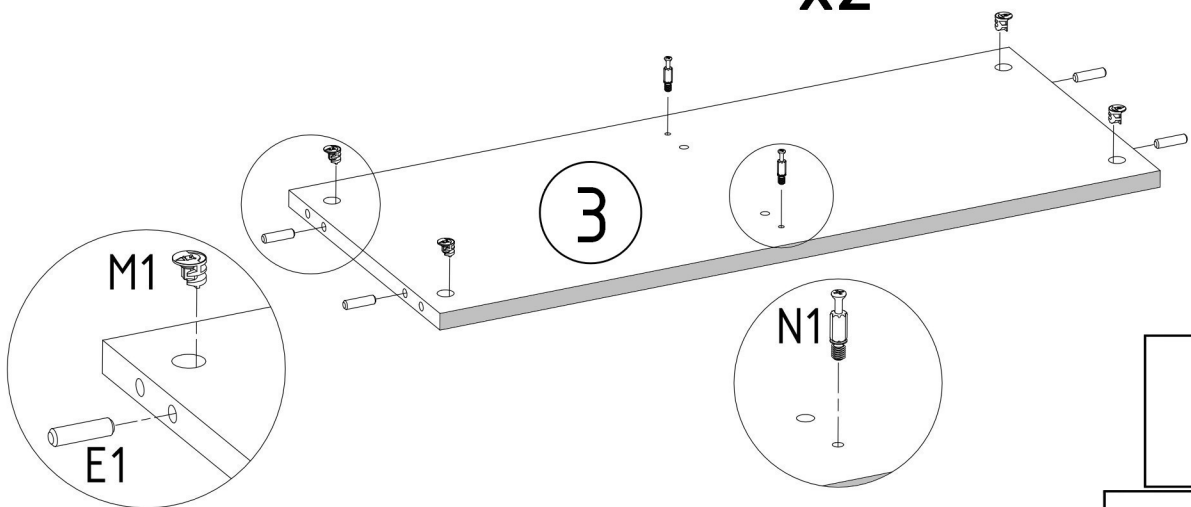




M1  12x15mm	E1  8x30mm
x8	x8

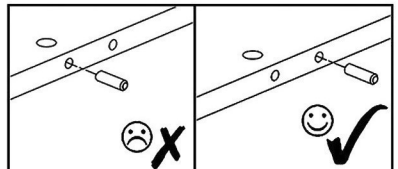
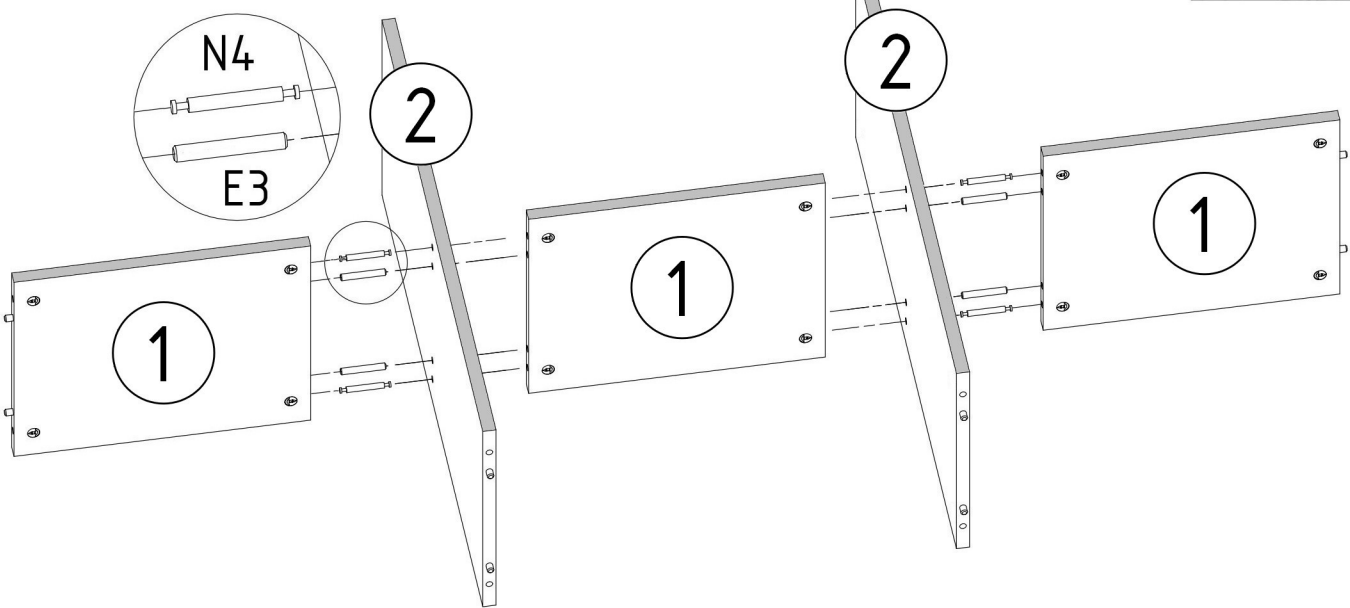
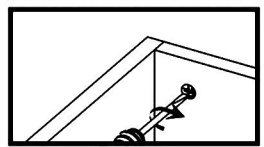
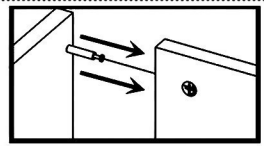


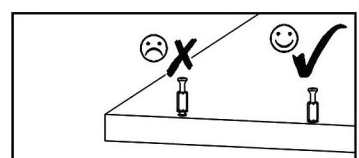
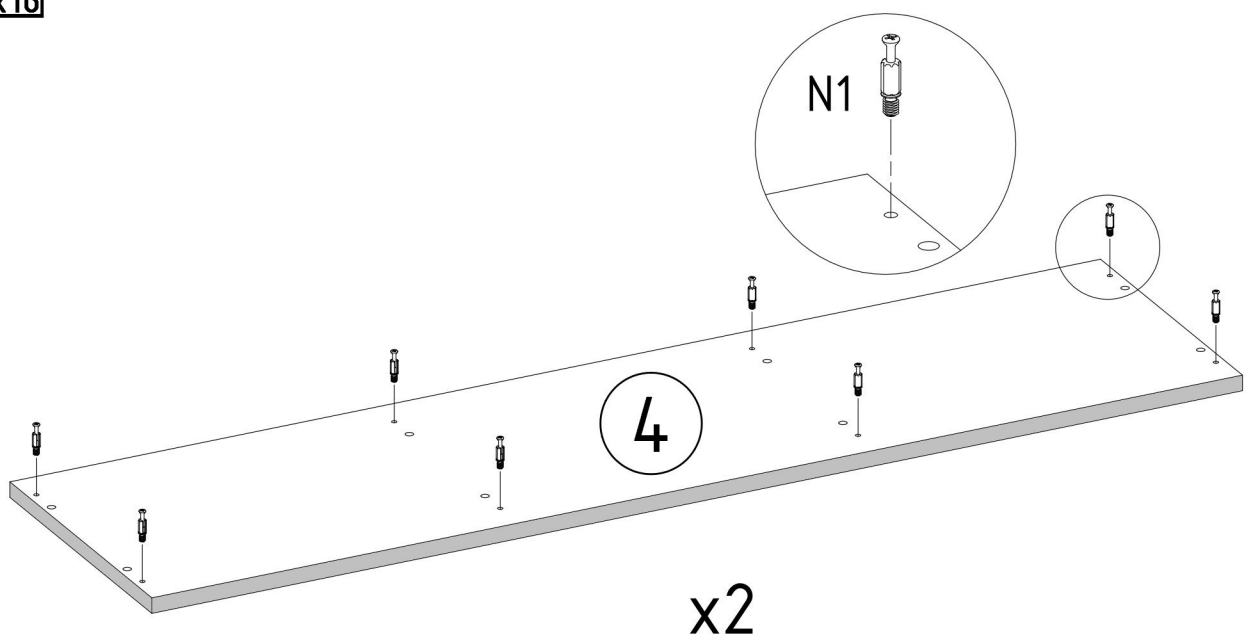
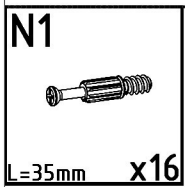
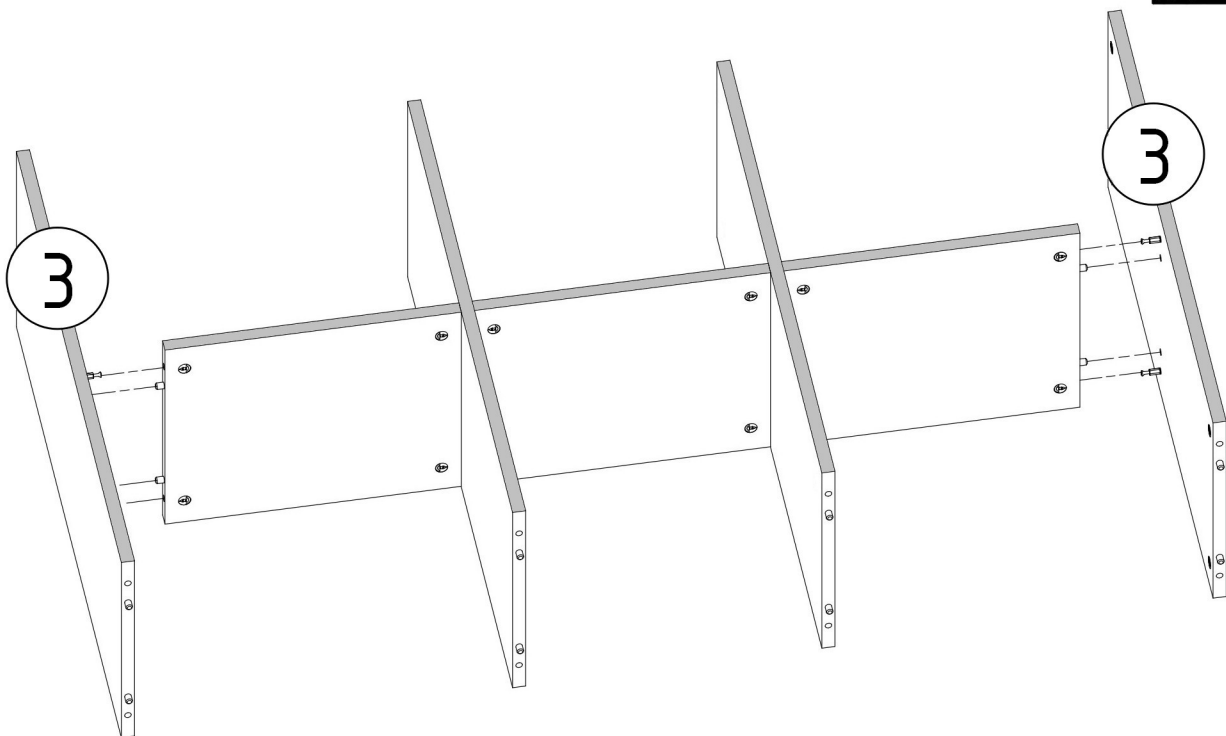
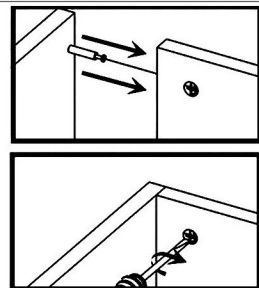
M1  12x15mm	E1  8x30mm	N1  L=35mm
x8	x8	x4

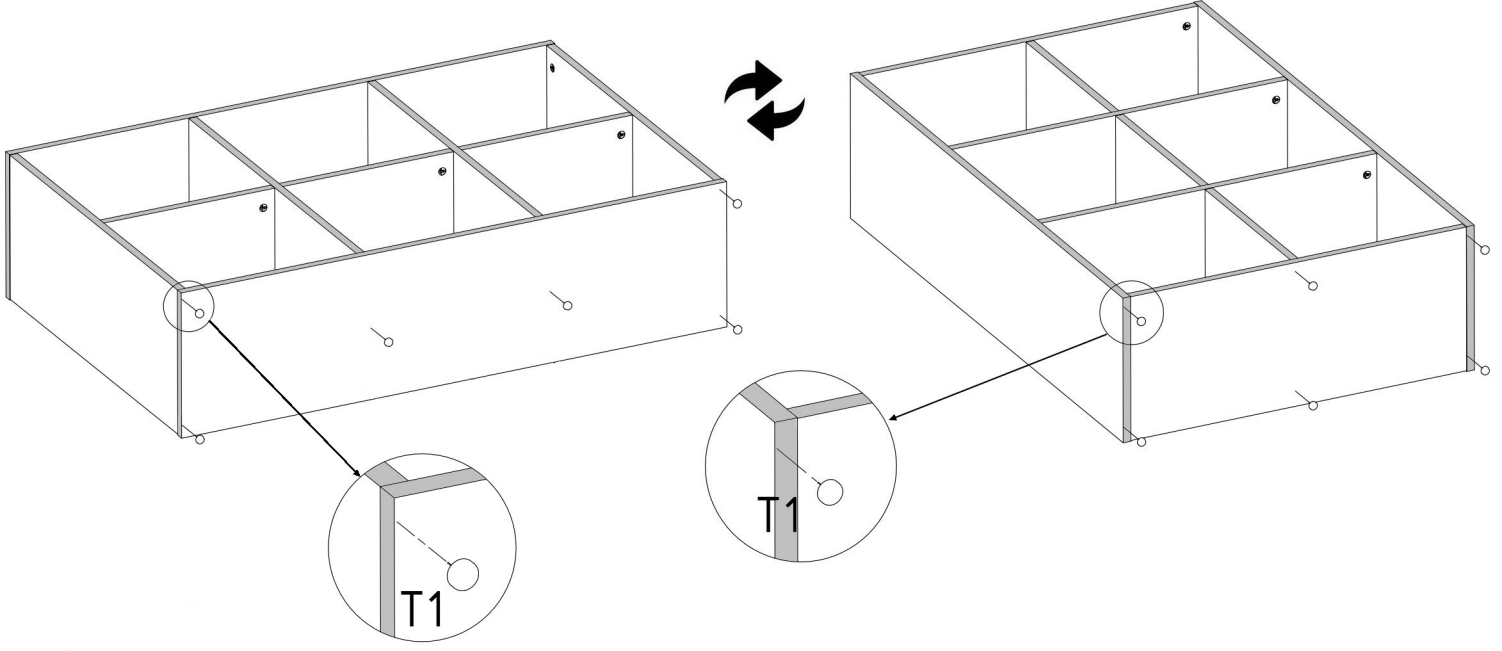
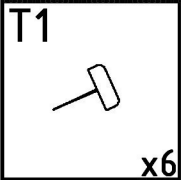
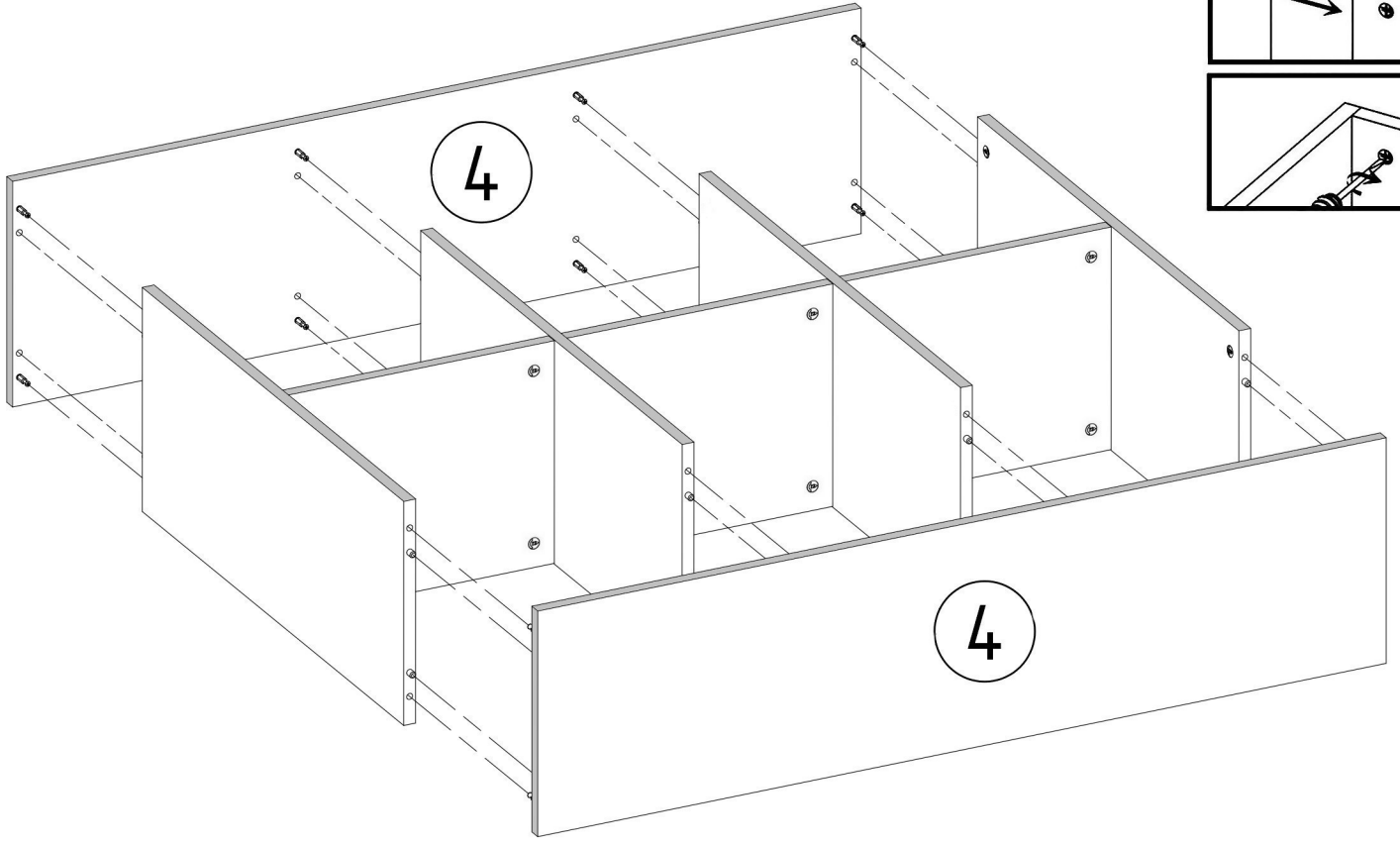
x2



E3  8x50mm	N4  L=62mm
x4	x4



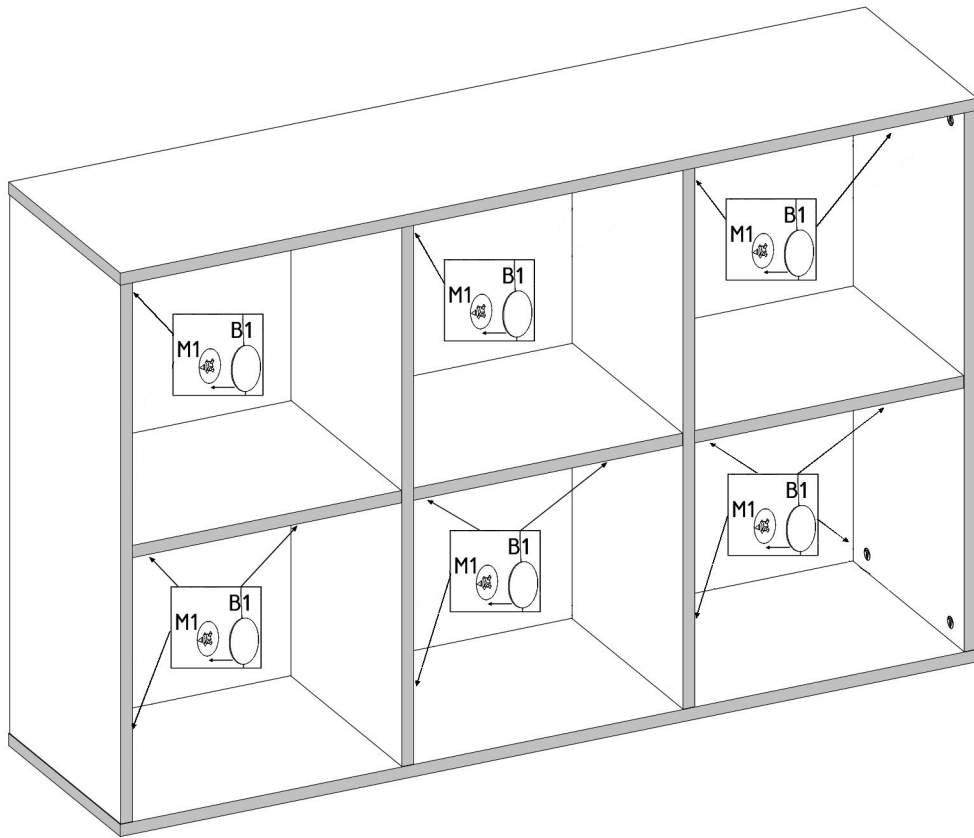




B1



ø17/5-4mm X28



V13



x1

