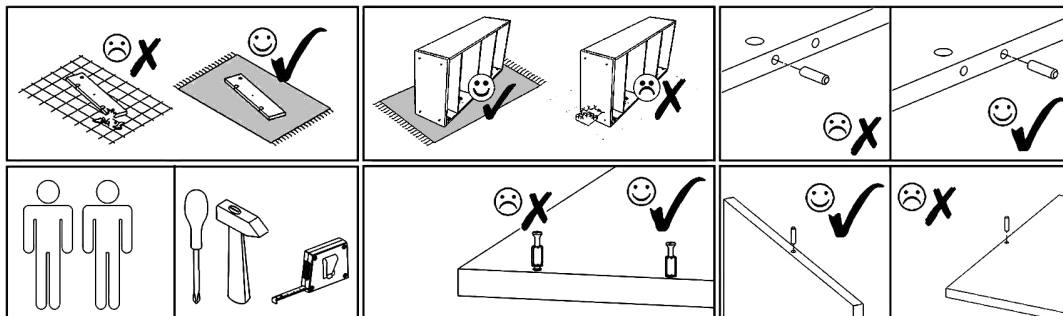
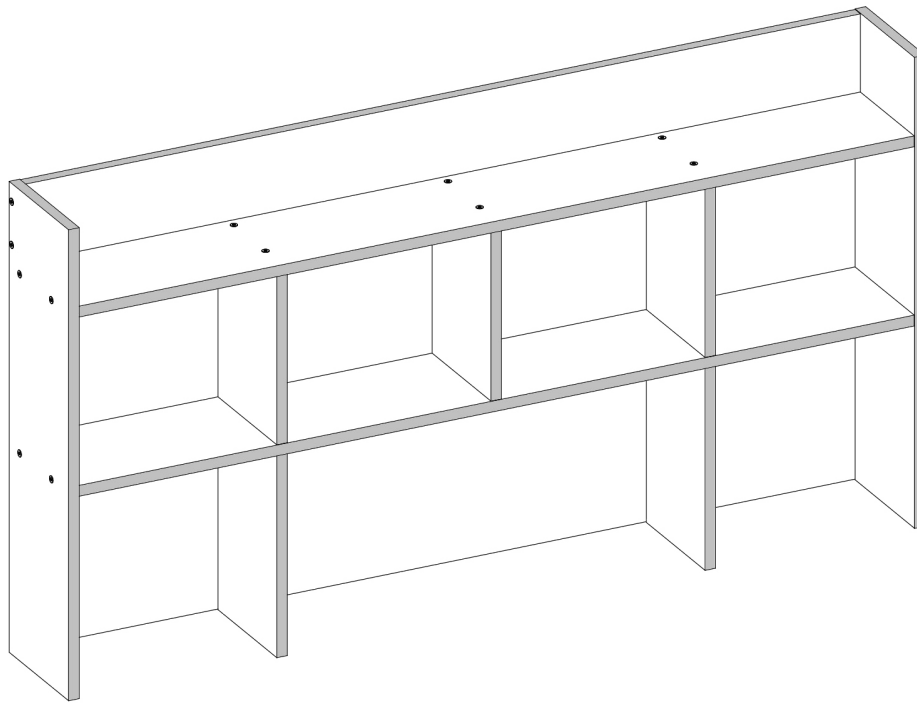
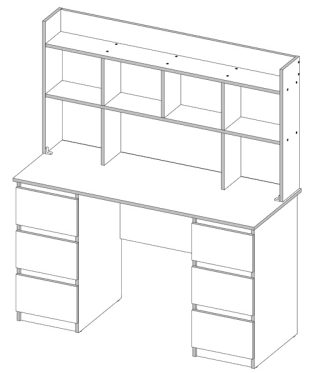


NDST_130

PRODUCTION DATE

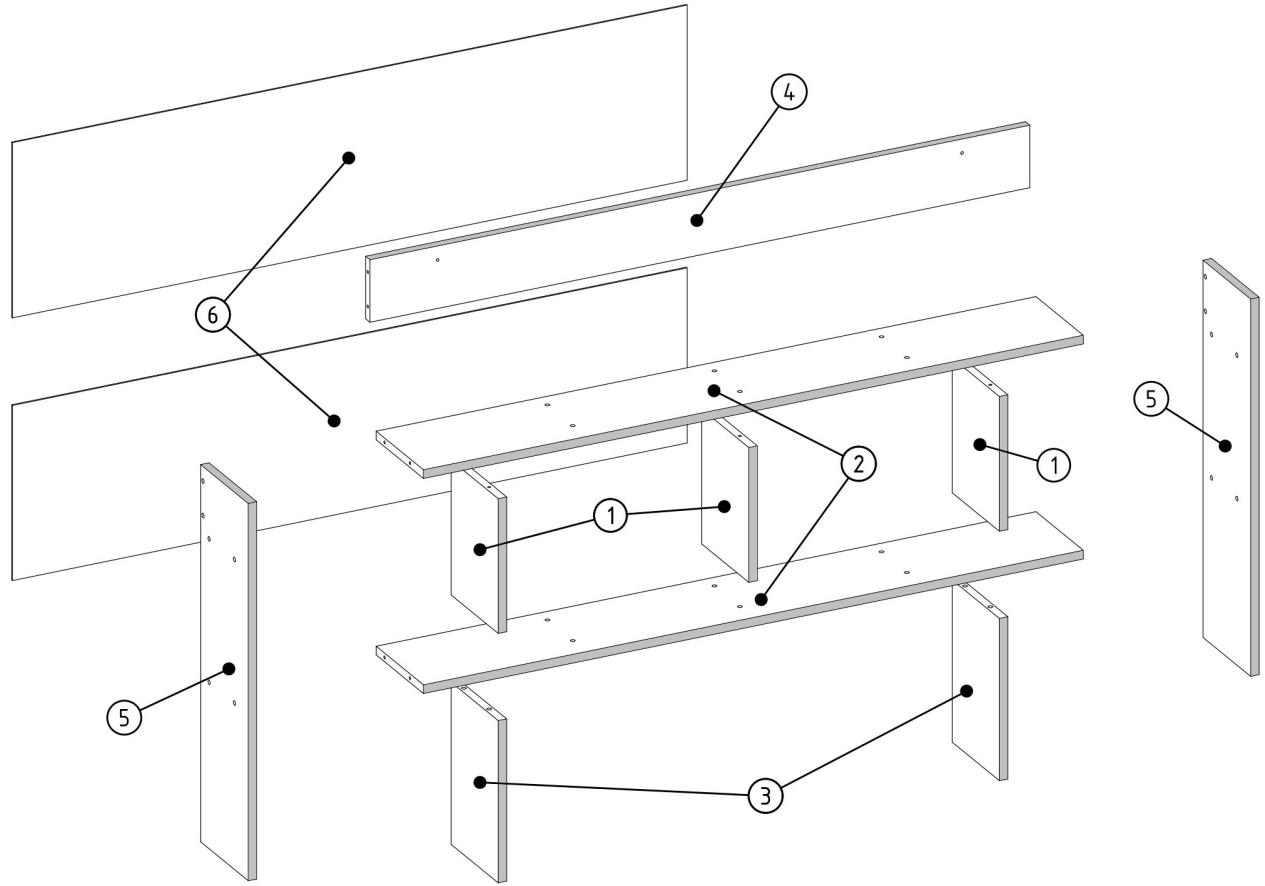
PACKING CODE



B1 $\varnothing 17/4\text{mm}$ x10	B2 $\varnothing 12/4\text{mm}$ x18	V61 x2	V60 $8,5 \times 10,5\text{mm}$ x2	S9 $4 \times 16\text{mm}$ x8	B3 $\varnothing 7-8/5\text{mm}$ x2		
N1 $L=35\text{mm}$ x2	S1 $3,5 \times 16\text{mm}$ x4	N4 $L=62\text{mm}$ x4	V15 x8	Z1 x50	F1 $7 \times 50\text{mm}$ x18	F3 Hex 4mm x1	M1 $12 \times 15\text{mm}$ x10

NDST_130

PRODUCTION DATE	PACKING CODE

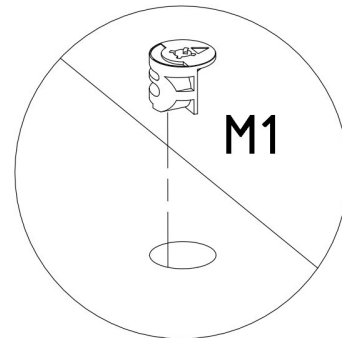
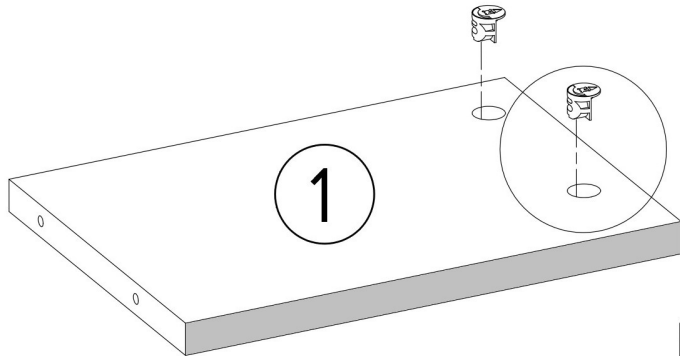


001593	6	2
001582	5	2
001591	4	1
001584	3	2
001589	2	2
001586	1	3
ID	NUMBER	QUANTITY

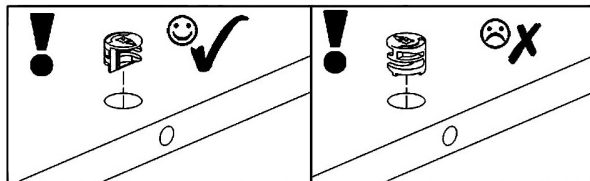
M1



12x15mm x6



x3



N1

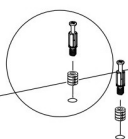
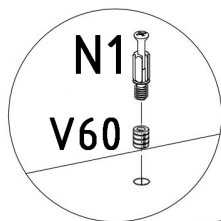
V60



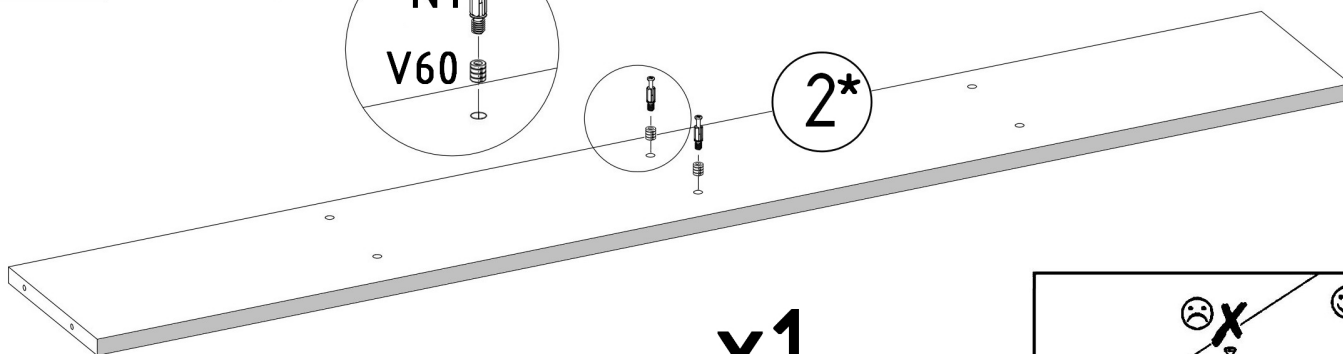
L=35mm x2



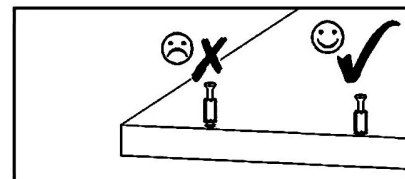
8,5X10,5mm x2



2*



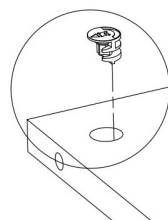
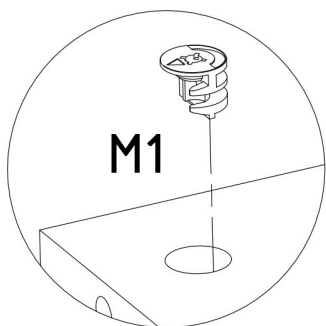
x1



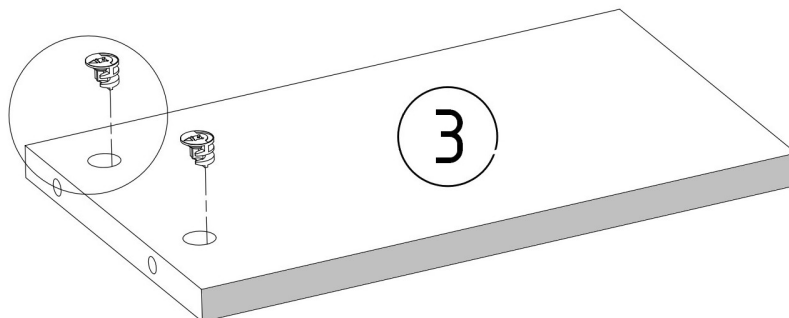
M1



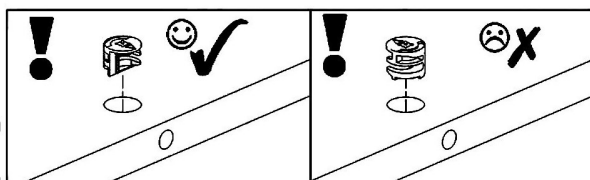
12x15mm x4

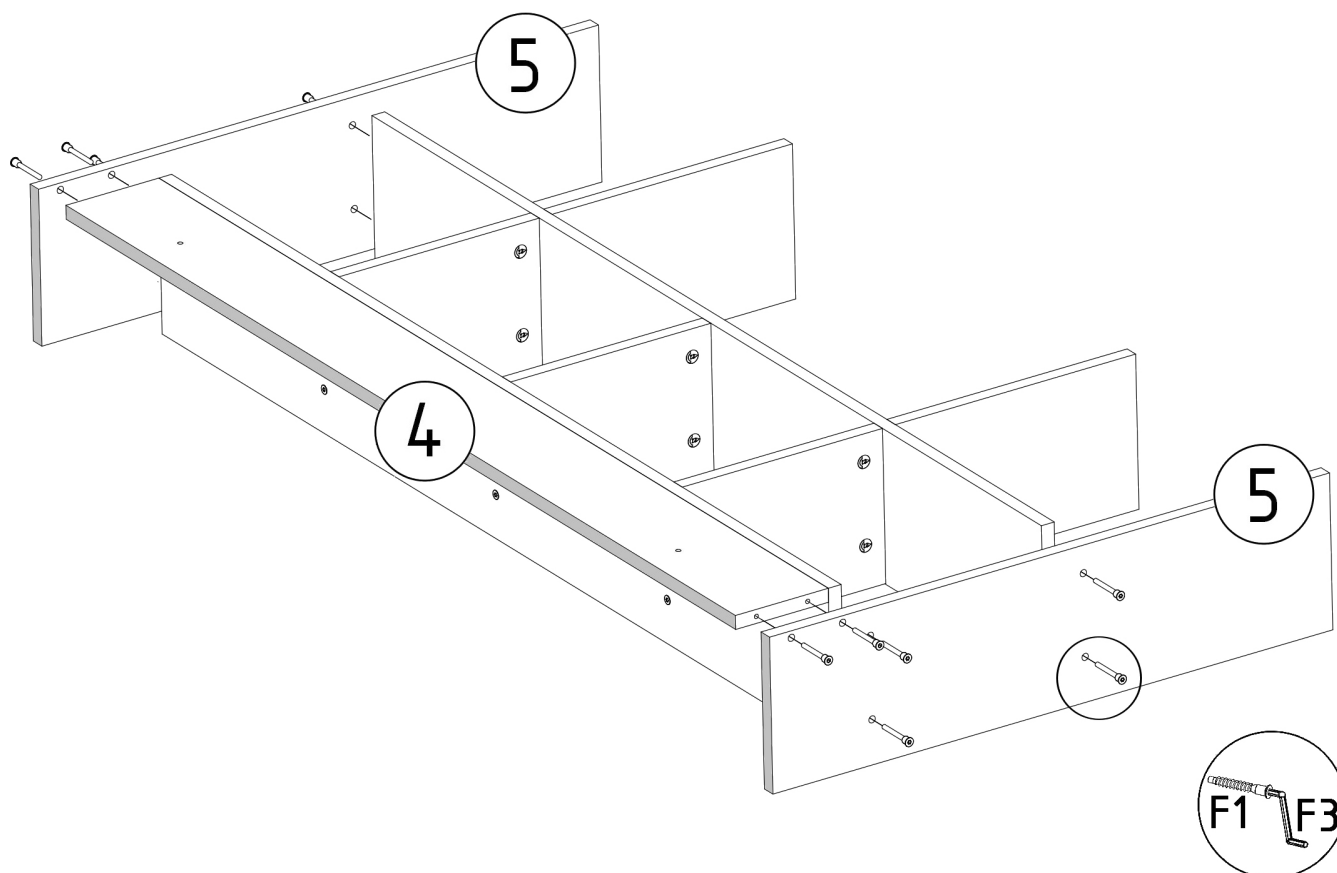
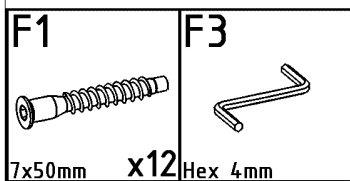
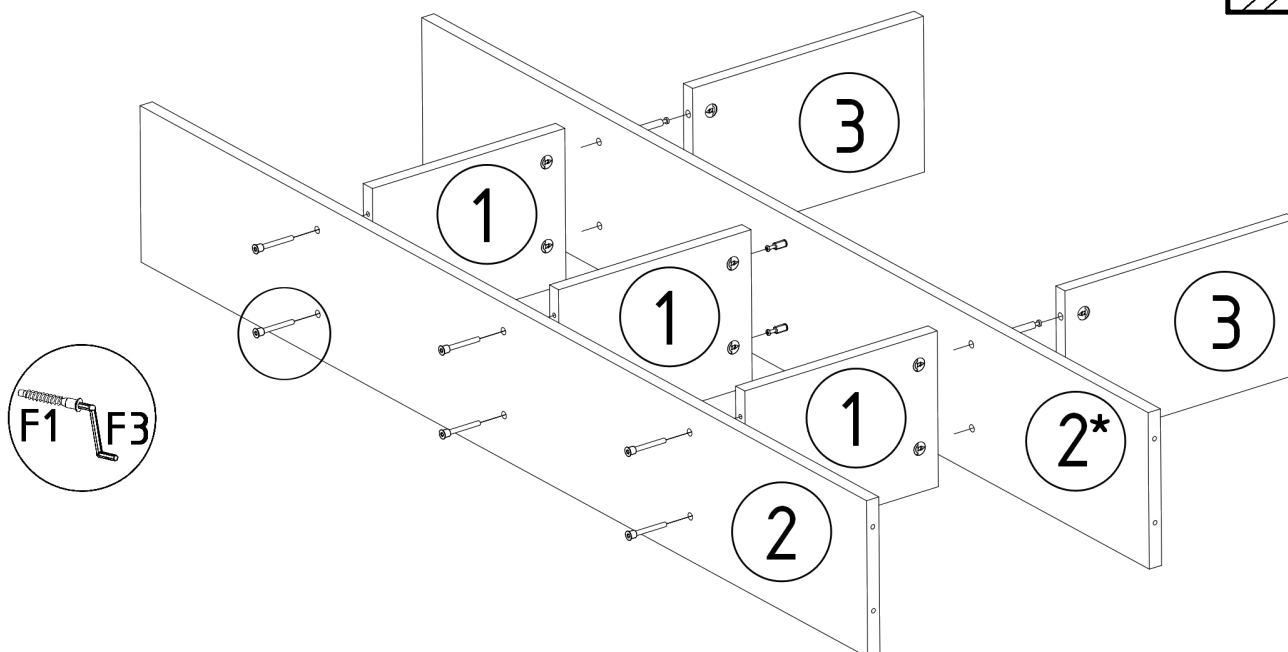
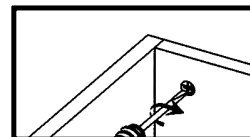
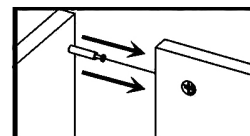
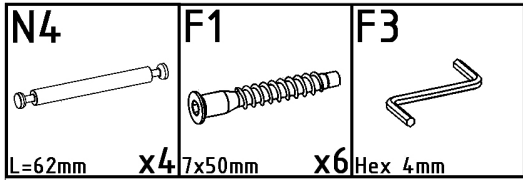


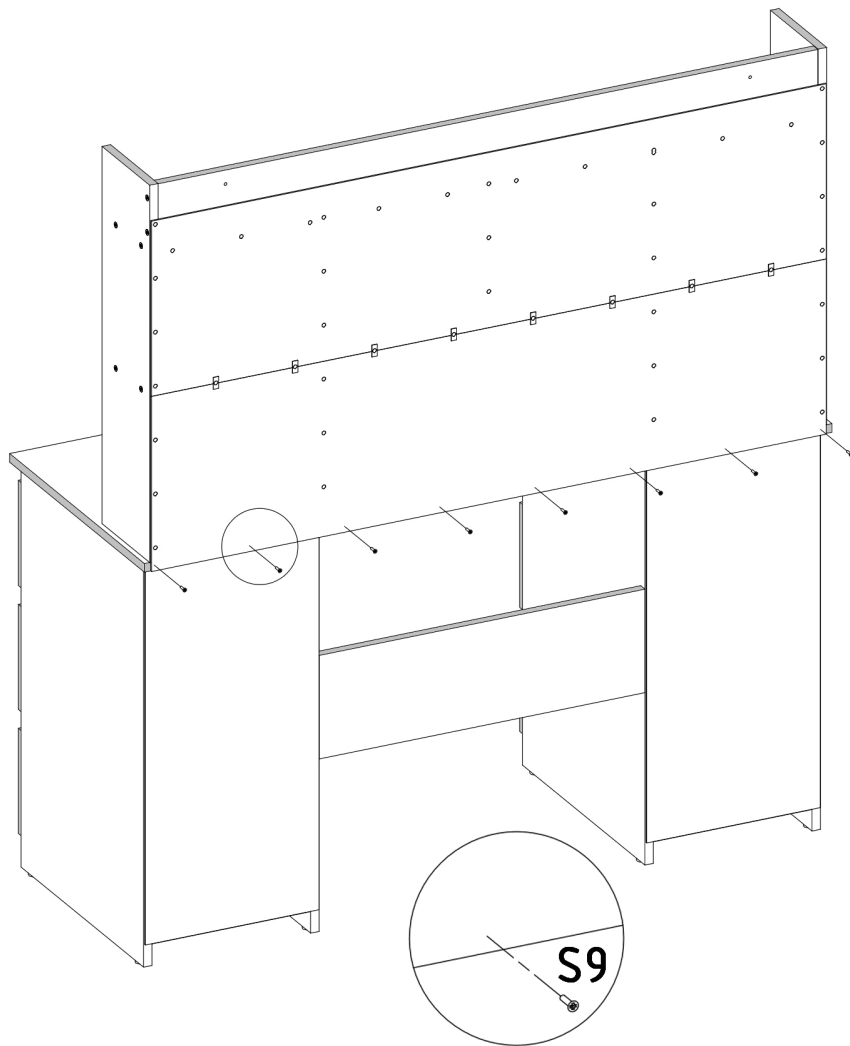
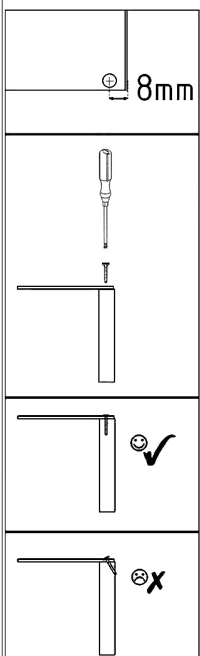
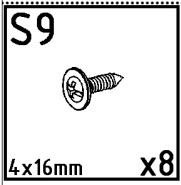
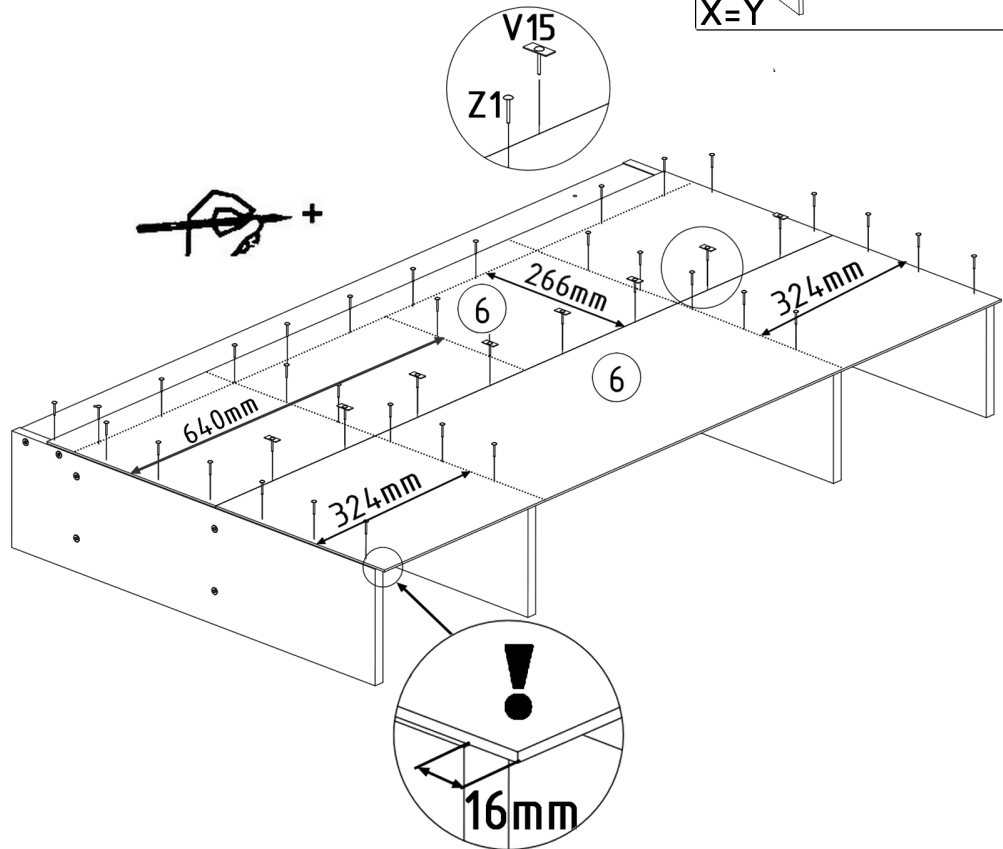
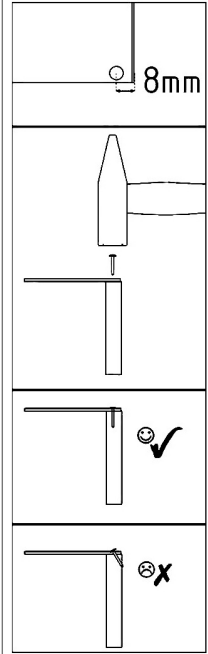
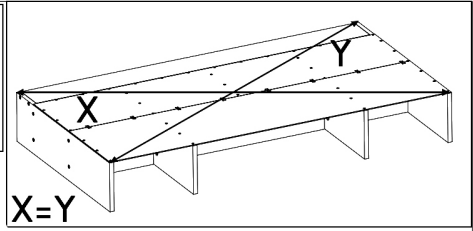
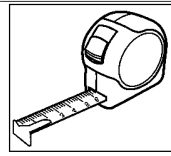
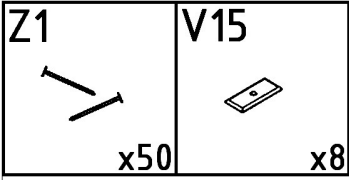
3






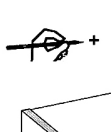


x2

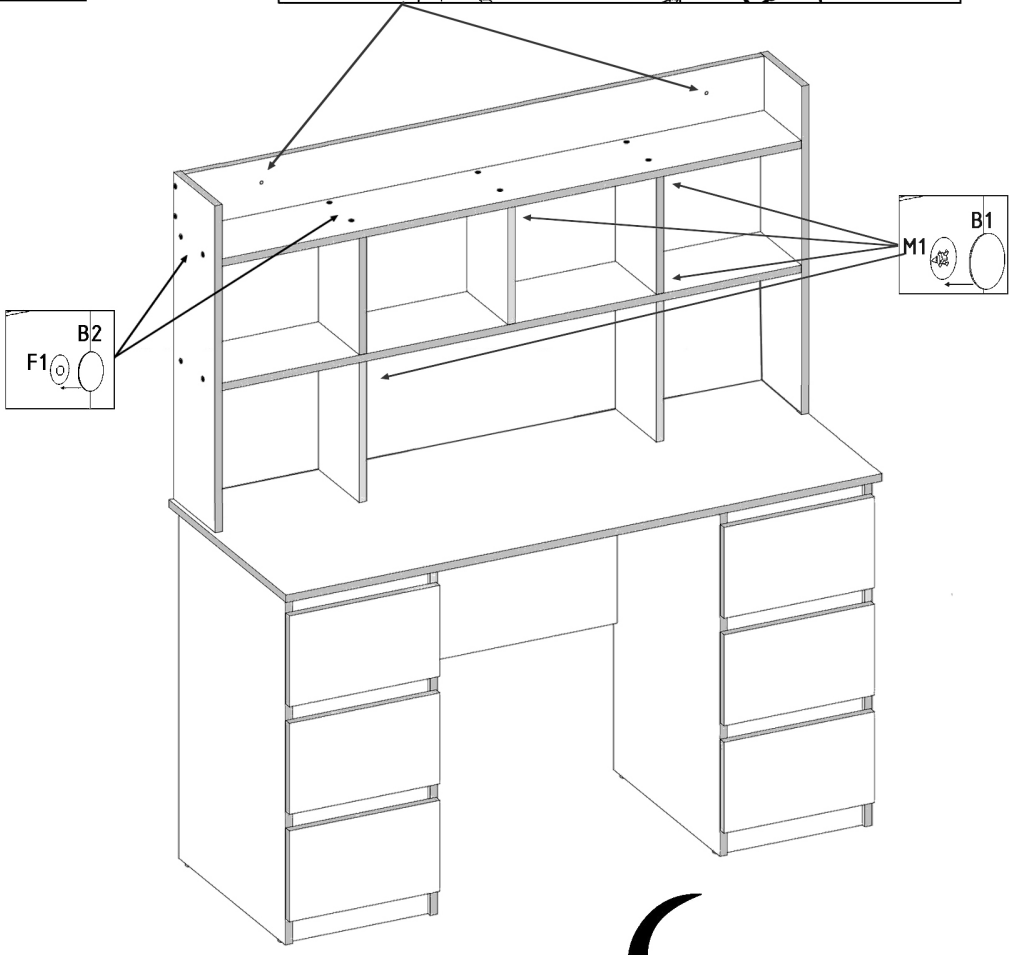


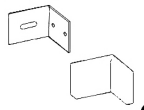





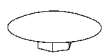


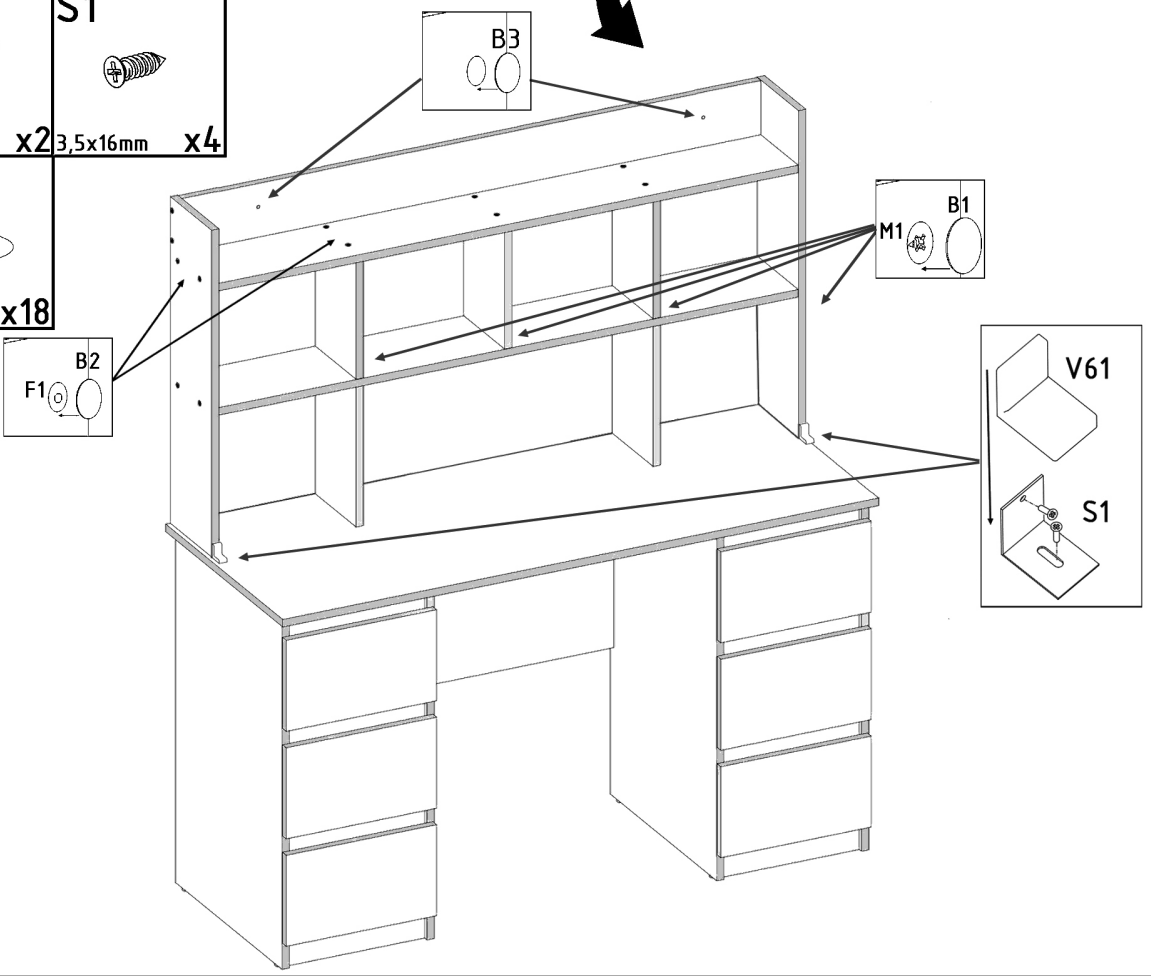
B1  ø17/4mm x10	B2  ø12/4mm x18
--	---


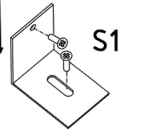
			
--	--	---	--



V61  x2	B3  ø7-8/5mm x2	S1  3,5x16mm x4
--	---	---

B1  ø17/4mm x10	B2  ø12/4mm x18
---	---



 V61	 S1
--	---