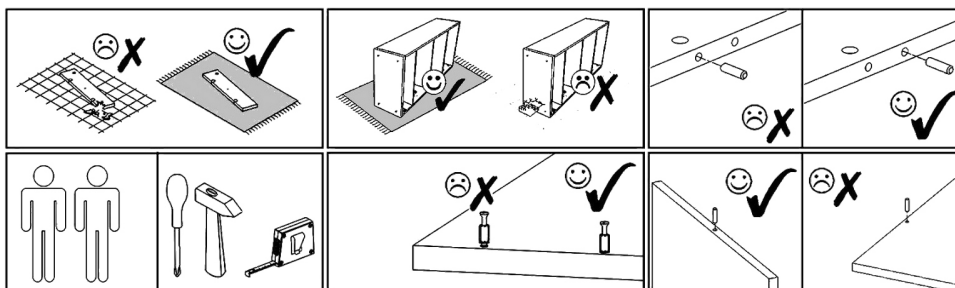
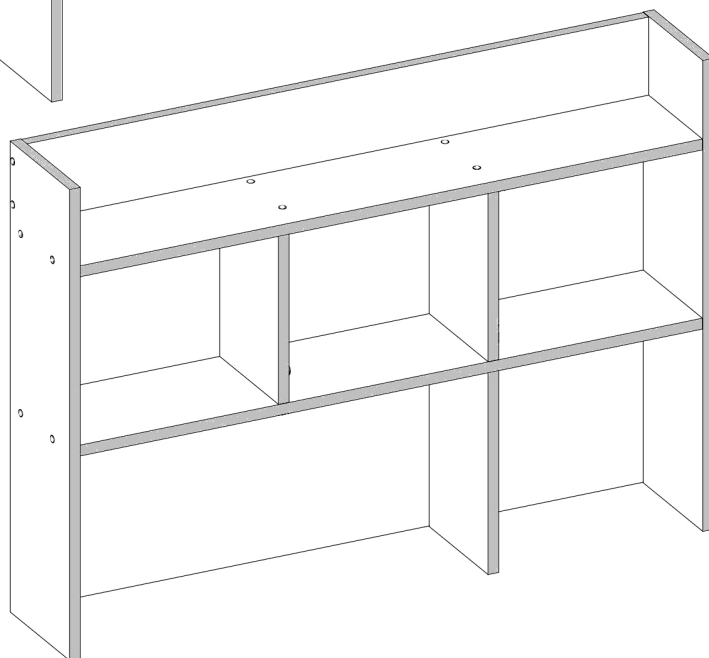
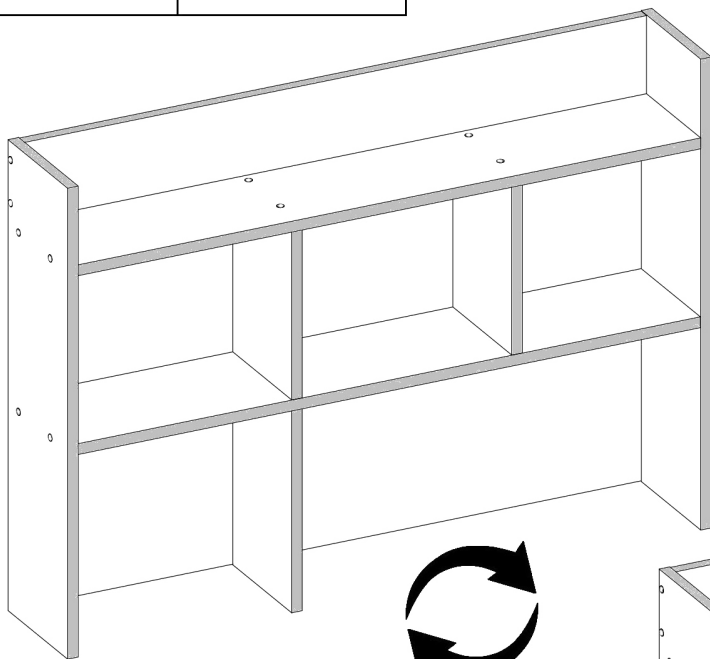
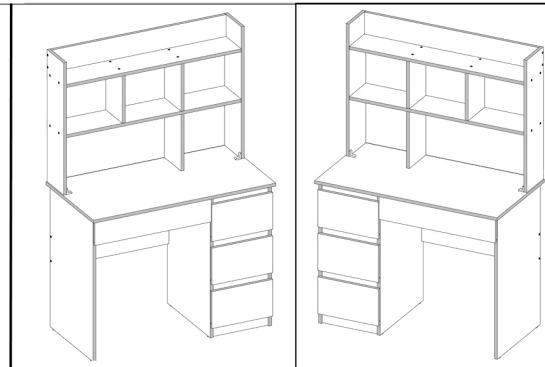

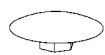



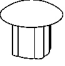




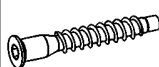


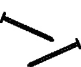

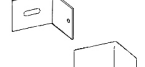
NDST_100

PRODUCTION DATE

PACKING CODE

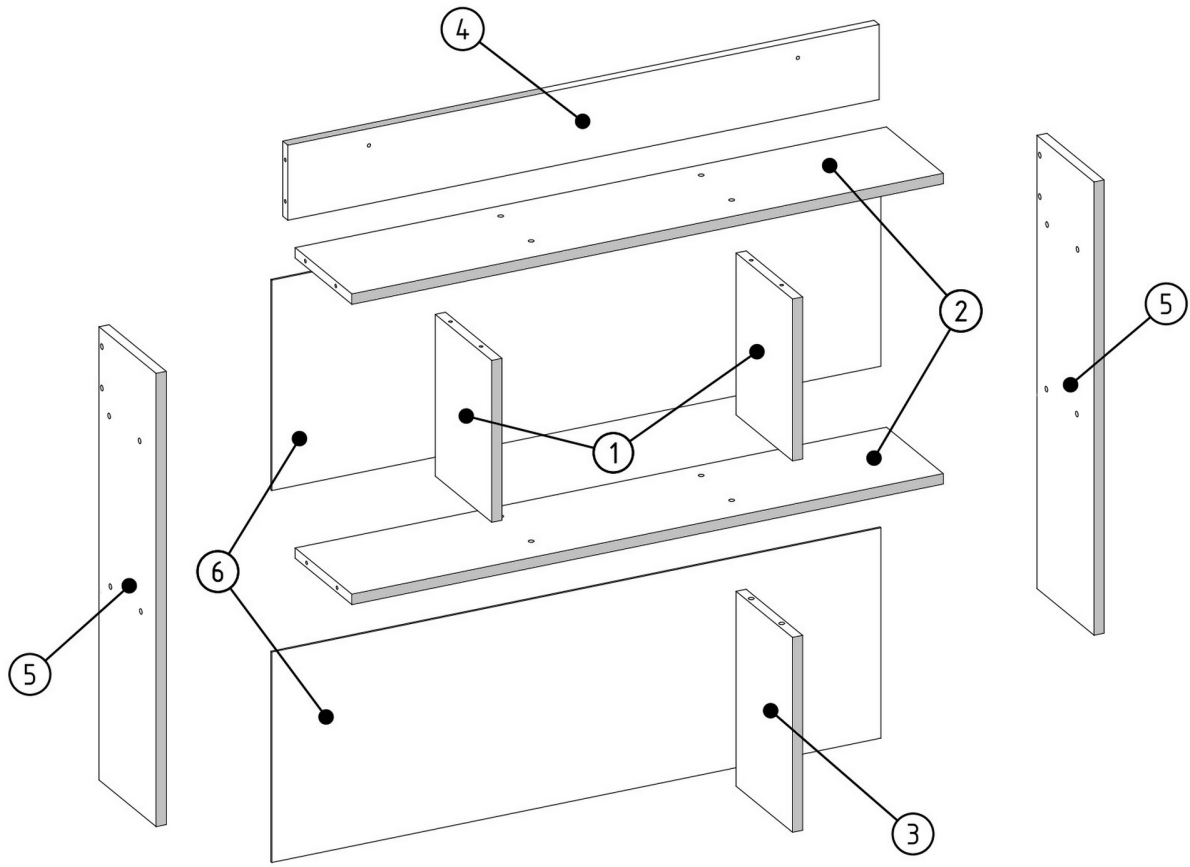


B1  ø17/4mm x6	B2  ø12/4mm x16	S1  3,5x16mm x4	V60  8,5X10,5mm x2	S9  4x16mm x6	B3  ø7-8/5mm x2
--	---	---	--	---	--

M1  12x15mm x6	N1  L=35mm x2	F1  7x50mm x16	F3  Hex 4mm x1	N4  L=62mm x2	Z1  x40	V15  x6	V61  x2	IM250324
--	---	--	--	---	--	---	---	----------


NDST_100

PRODUCTION DATE	PACKING CODE

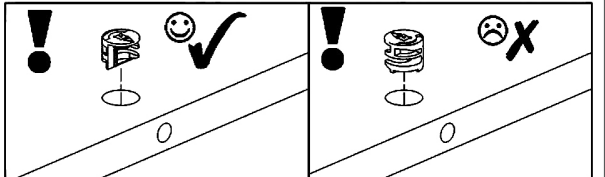
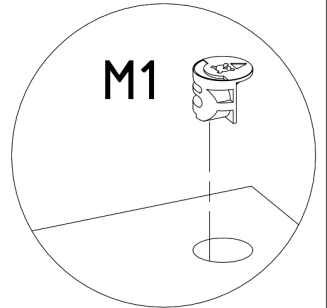
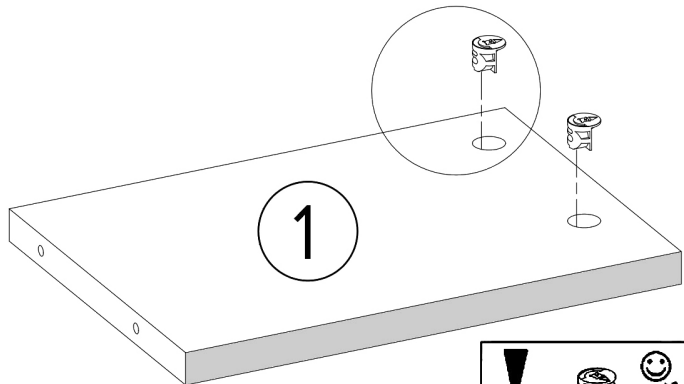


001581	6	2
001582	5	2
001583	4	1
001584	3	1
001585	2	2
001586	1	2
ID	NUMBER	QUANTITY

M1





12x15mm **x4**

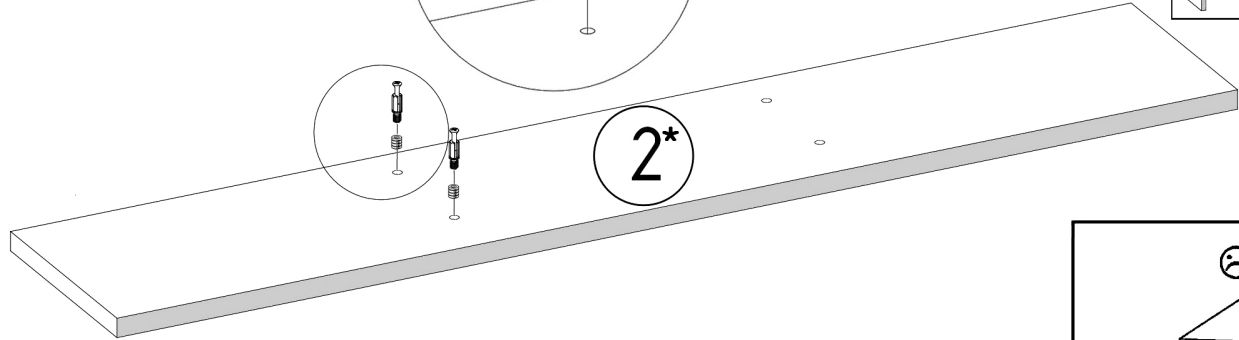
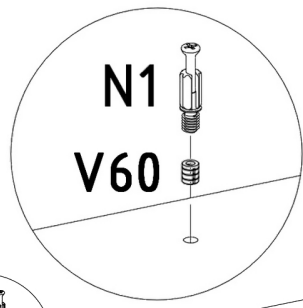


x2

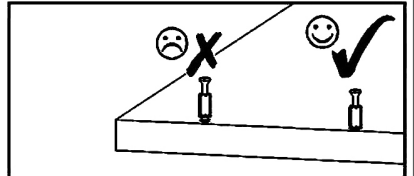
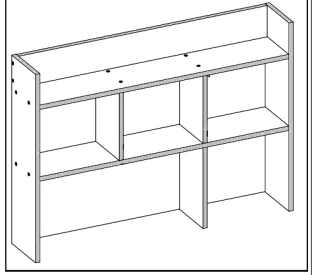
N1 **V60**



L=35mm **x2** 8,5X10,5mm **x2**



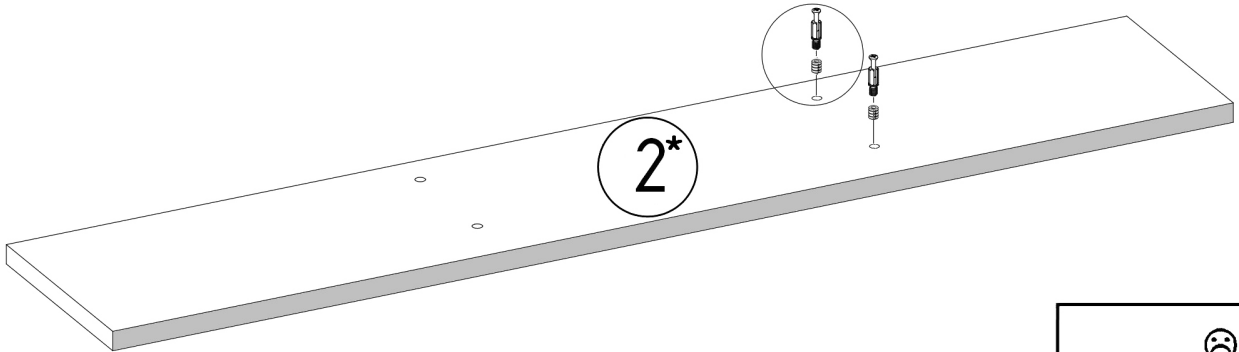
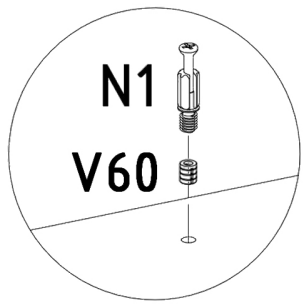
! R



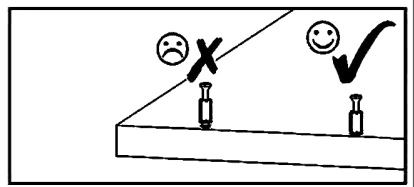
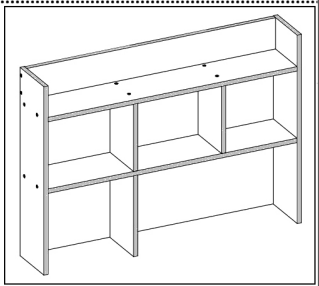
N1 **V60**

L=35mm **x2** 8,5X10,5mm **x2**



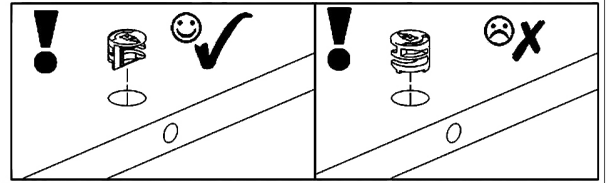
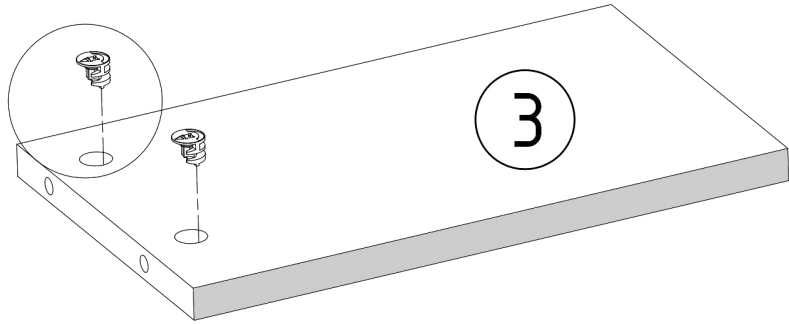
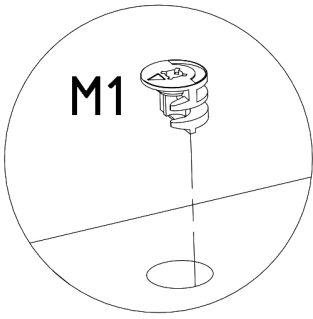
! L



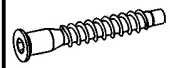
M1



12x15mm x2

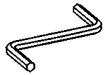


F1



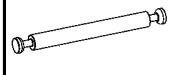
7x50mm x4

F3

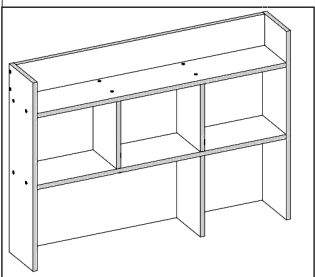
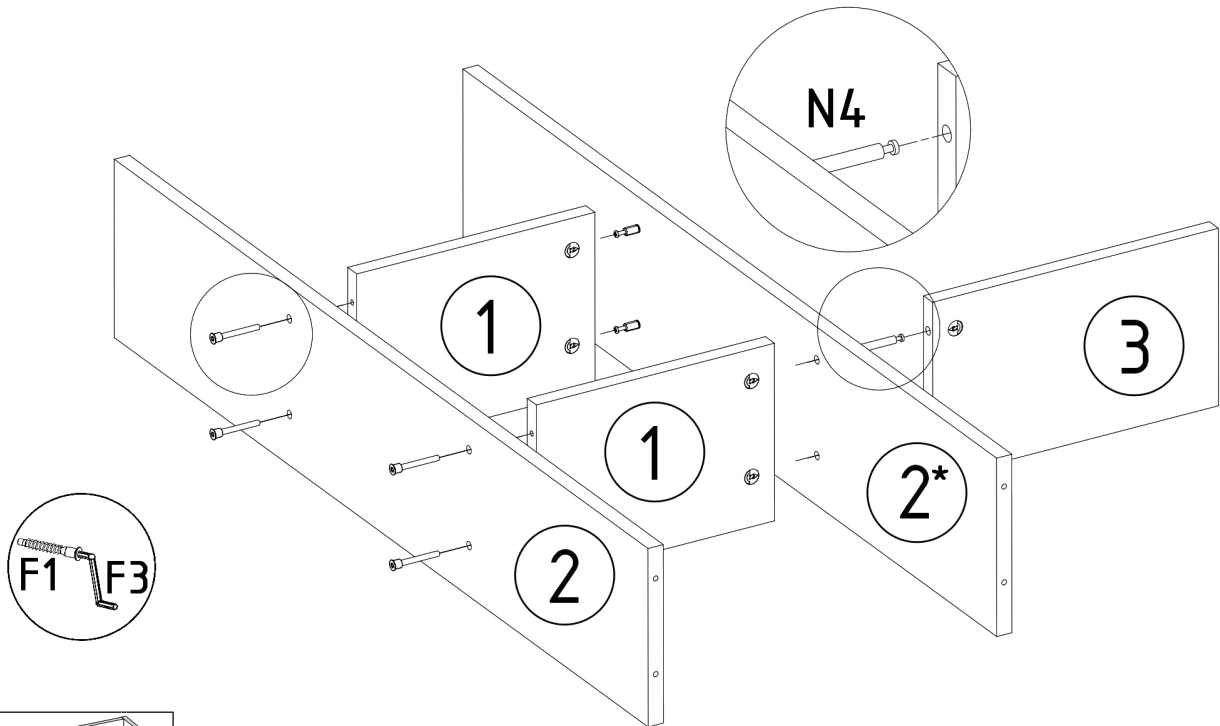
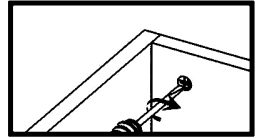
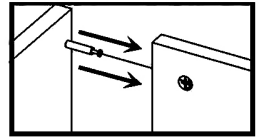


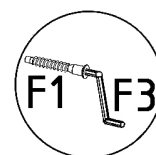
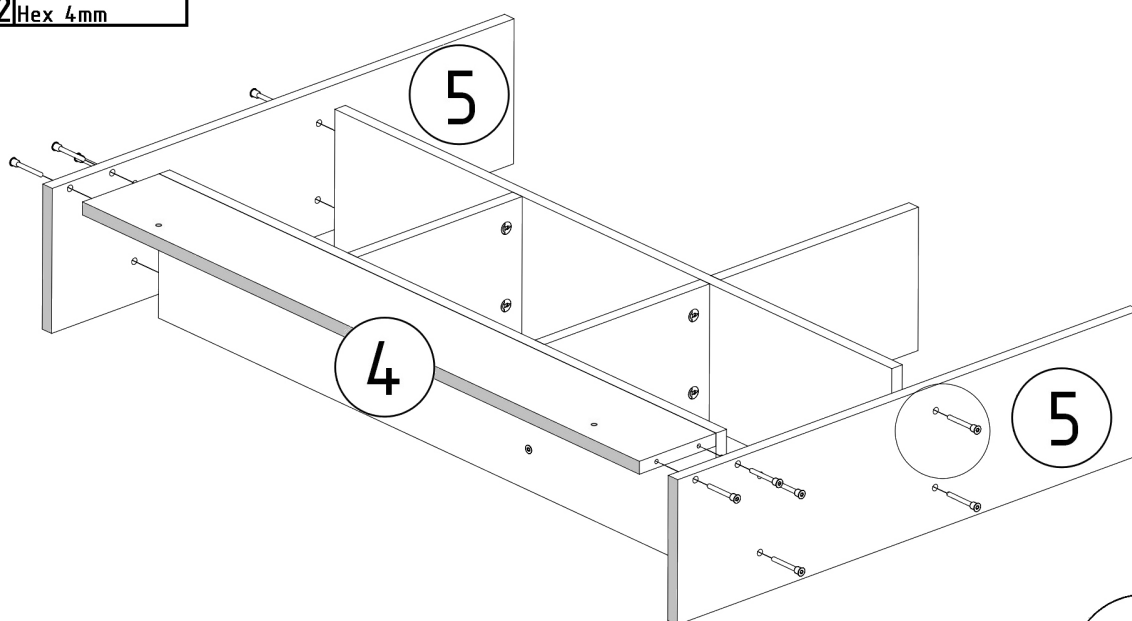
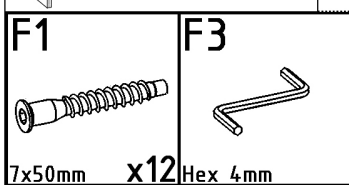
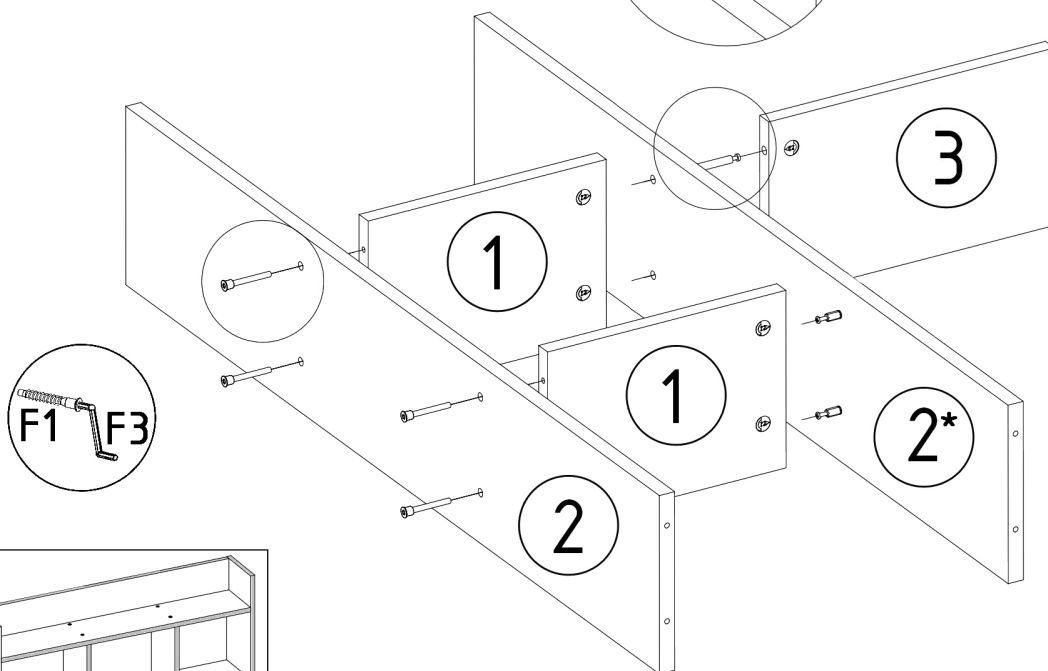
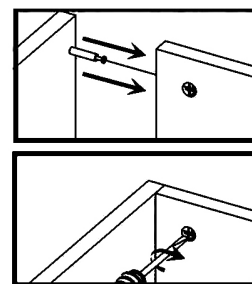
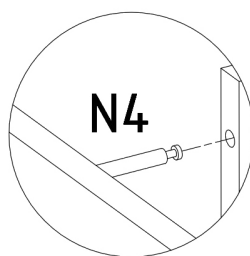
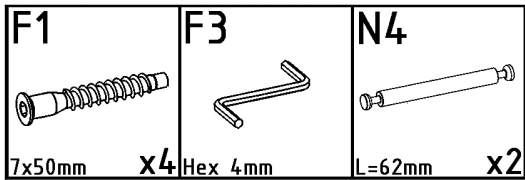
Hex 4mm

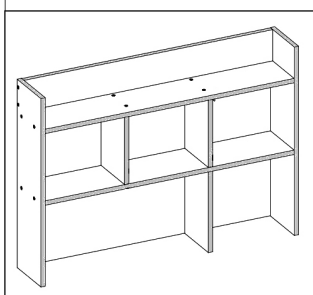
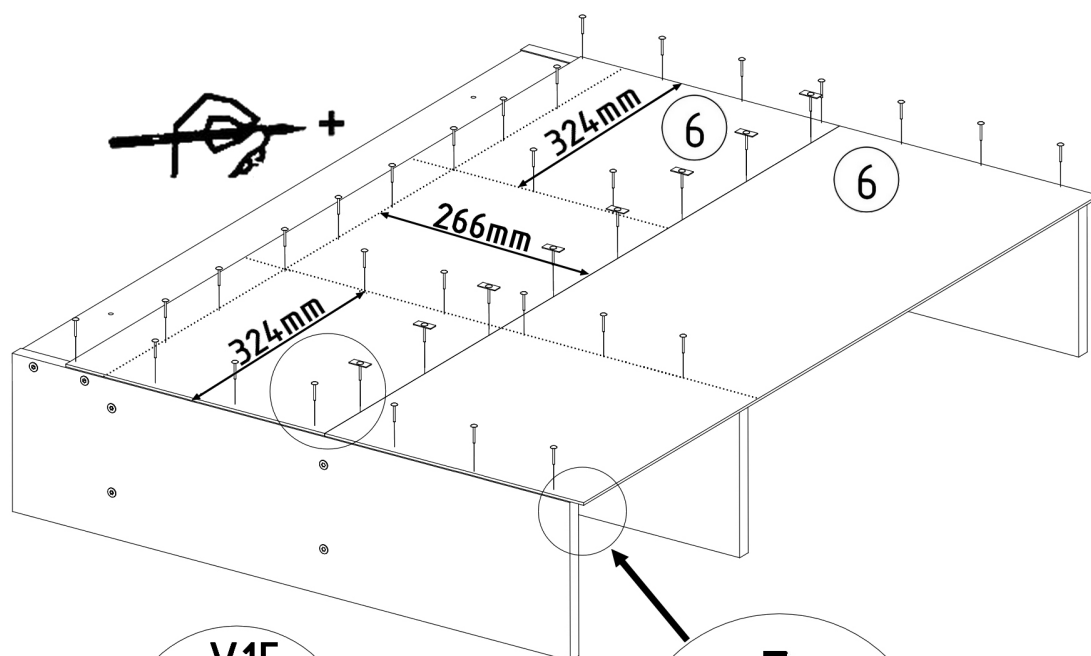
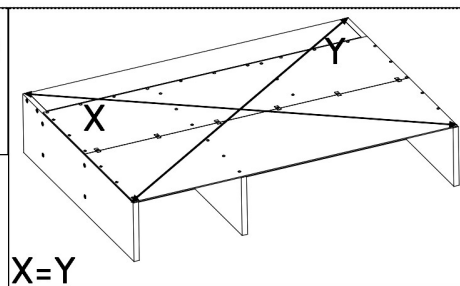
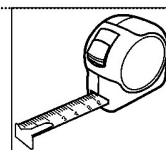
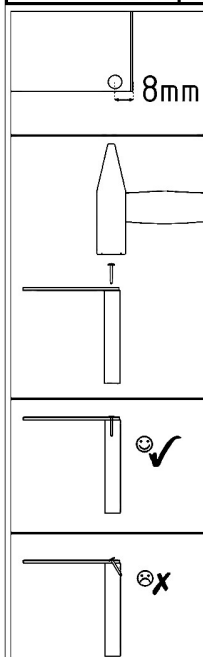
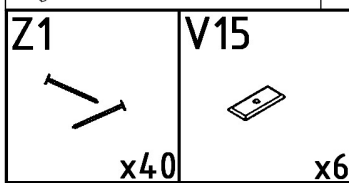
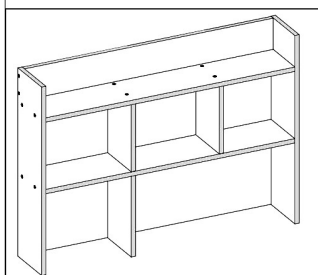
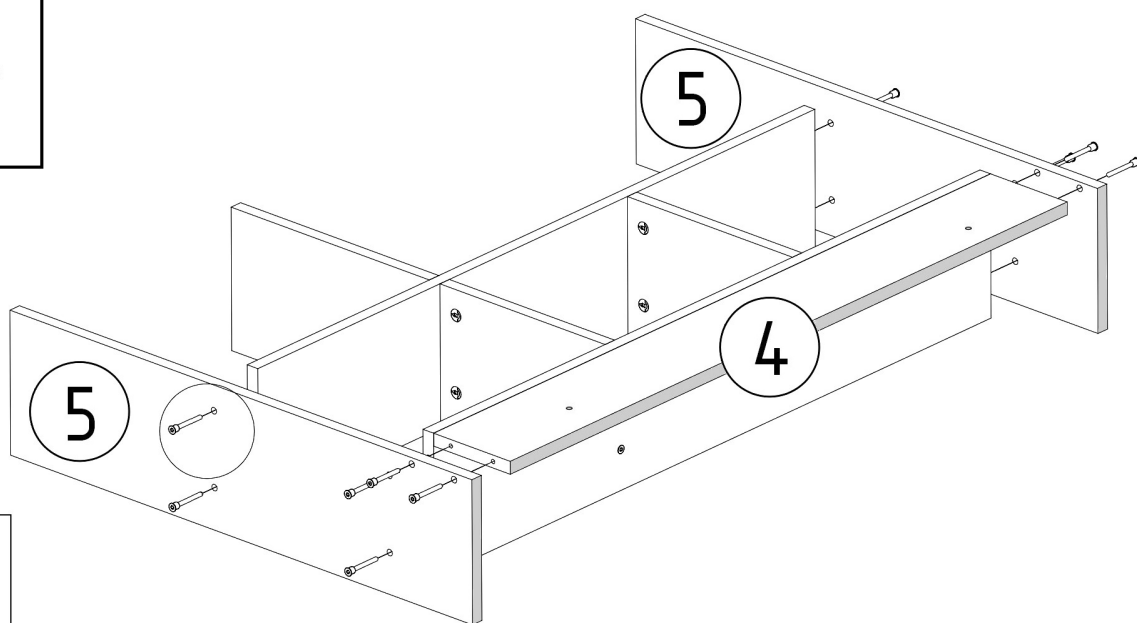
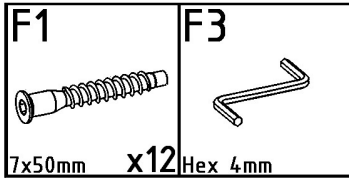
N4



L=62mm x2







S9



4x16mm x6

