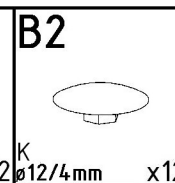
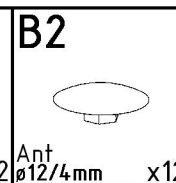
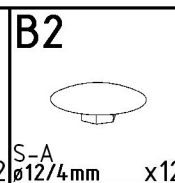
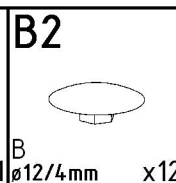
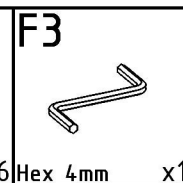
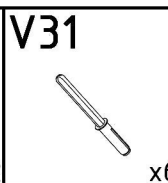
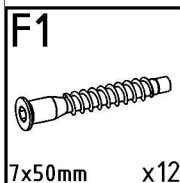
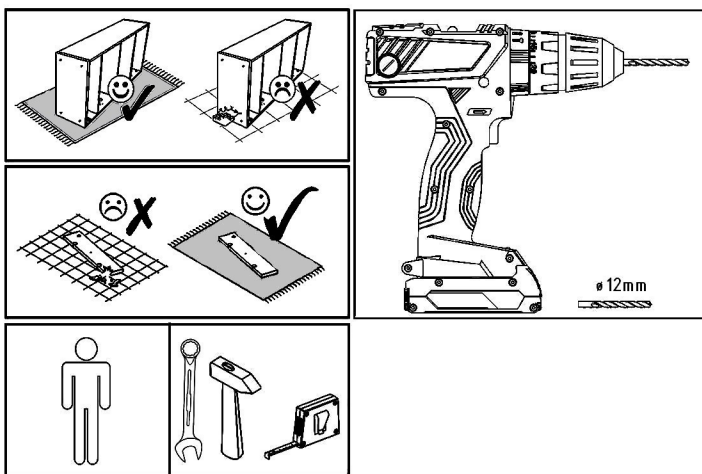
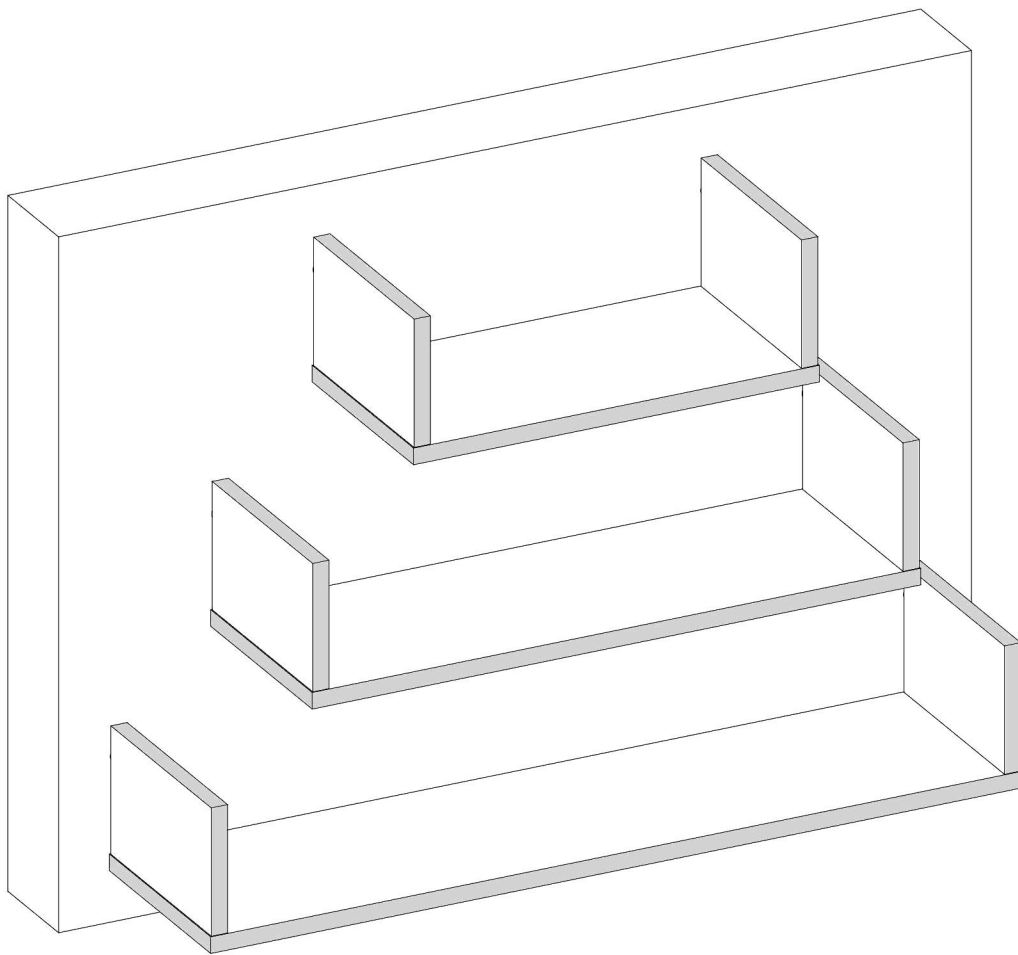


# MOBI\_3P

PRODUCTION DATE

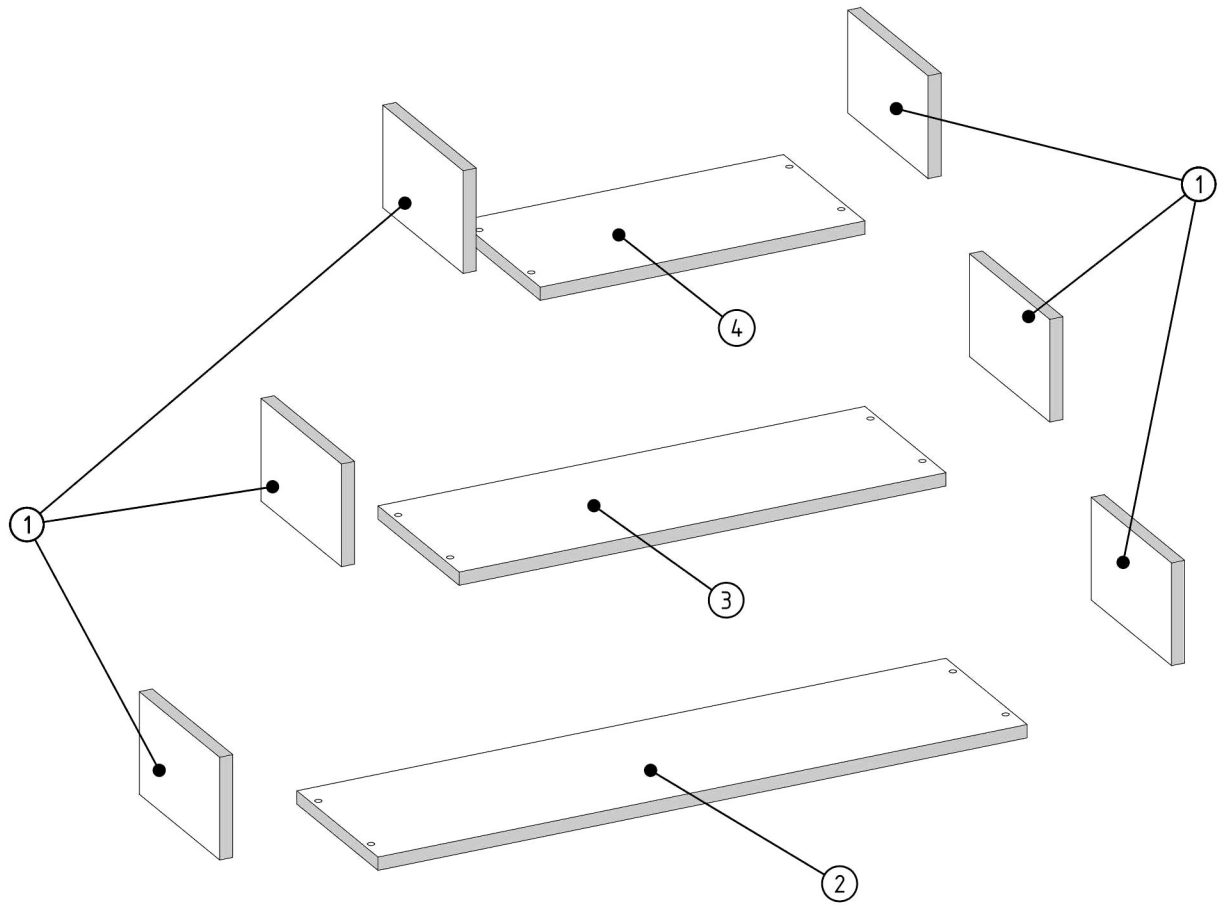
PACKING CODE



# MOBI\_3P

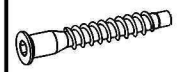
PRODUCTION DATE

PACKING CODE



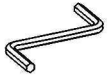
000707	4	1
000706	3	1
000705	2	1
000704	1	6
ID	NUMBER	QUANTITY

F1

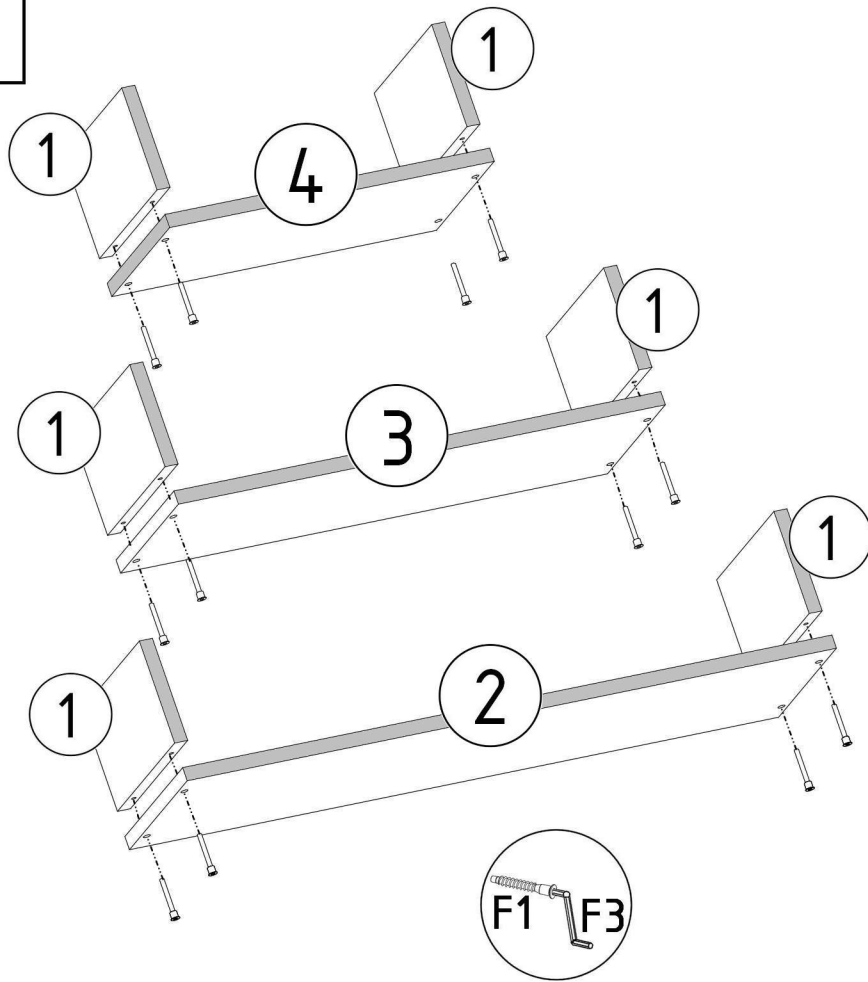


7x50mm x12

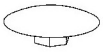
F3



Hex 4mm



B2



ø12/4mm x12

