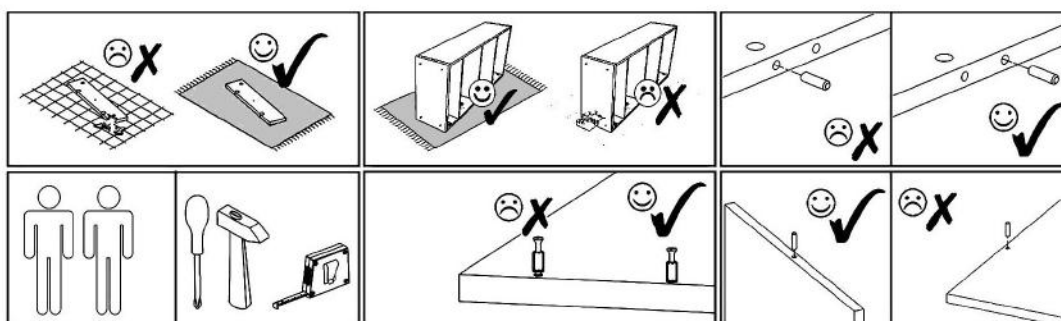
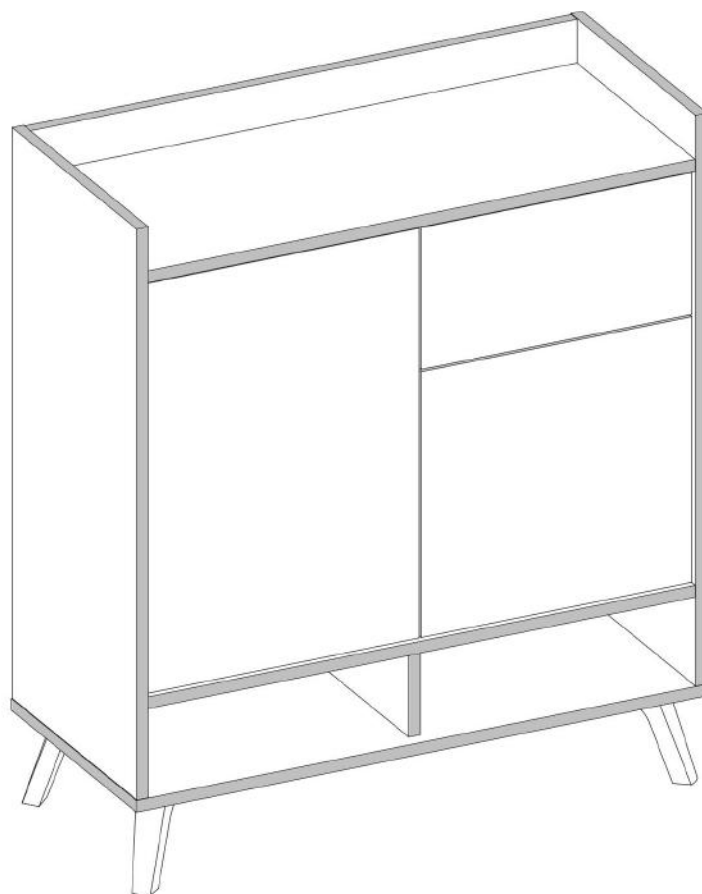













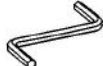



# COLIN

PRODUCTION DATE

PACKING CODE



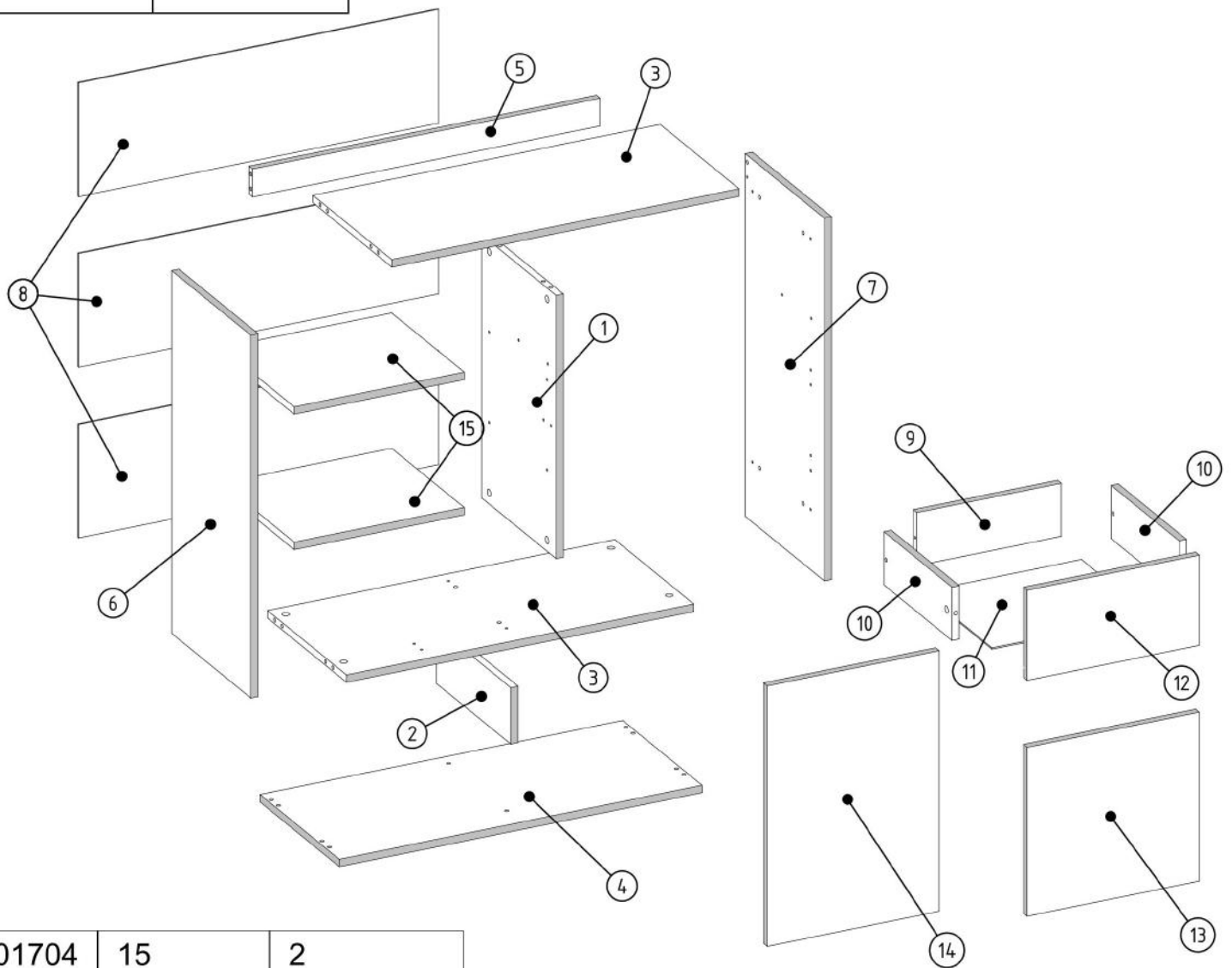
<b>V13</b>  x1	<b>V7</b>  x3	<b>T8</b>  H=120mm x4	<b>B1</b>  B 617/4mm x2	<b>A2</b>  ZW x4	<b>P2</b>  L=300mm x1	<b>V16</b>  5x16mm x8
--	--	--	--	---	---	--

<b>M1</b>  12x15mm x16	<b>N1</b>  L=35mm x16	<b>E1</b>  8x30mm x18	<b>F1</b>  7x50mm x8	<b>F3</b>  Hex 4mm x1	<b>R1</b>  6x8mm x10	<b>S1</b>  3,5x16mm x24	<b>Z1</b>  x50
---	--	--	---	--	--	--	---




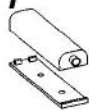


## COLIN

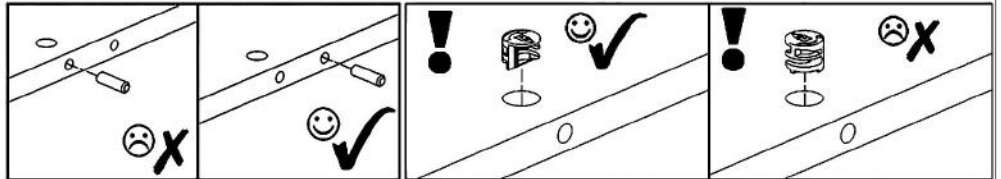
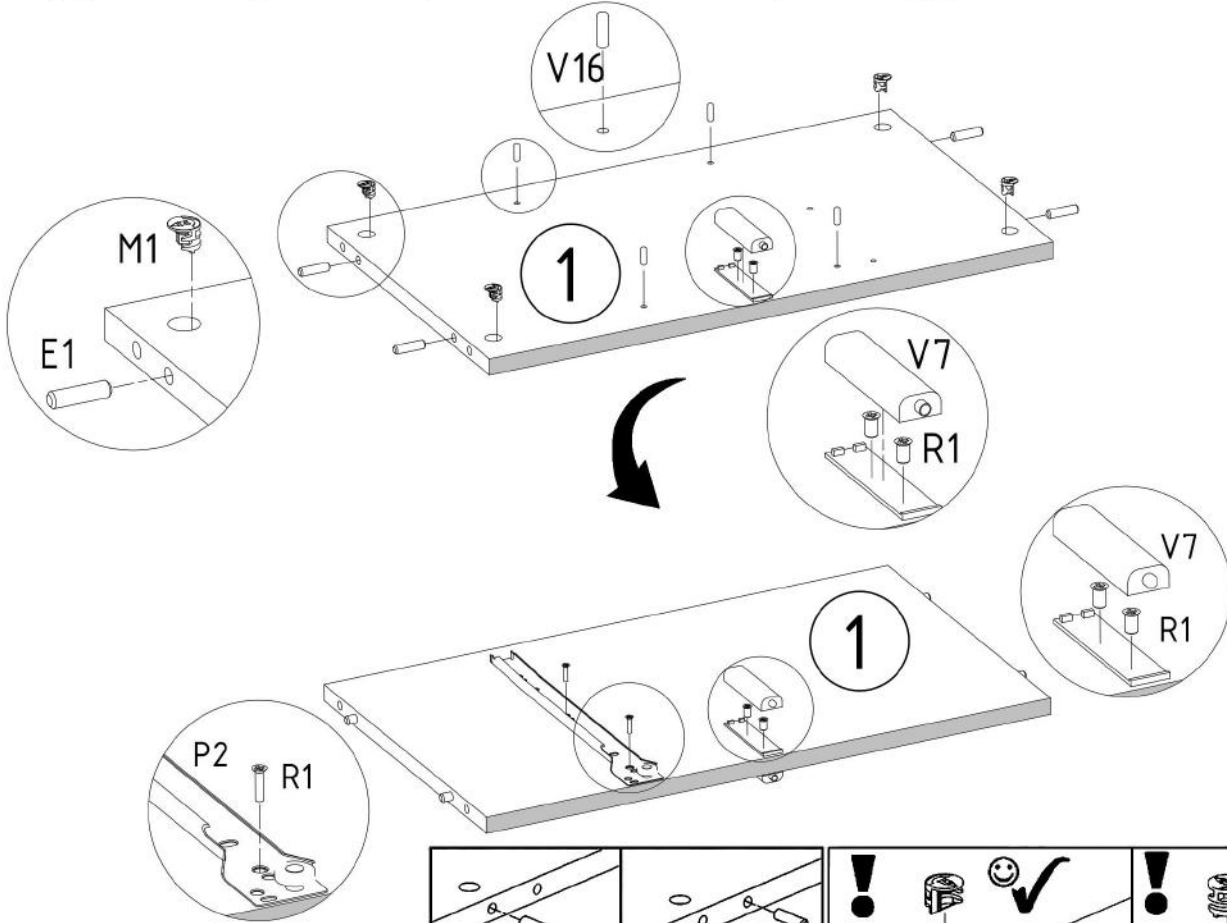
PRODUCTION DATE




PACKING CODE

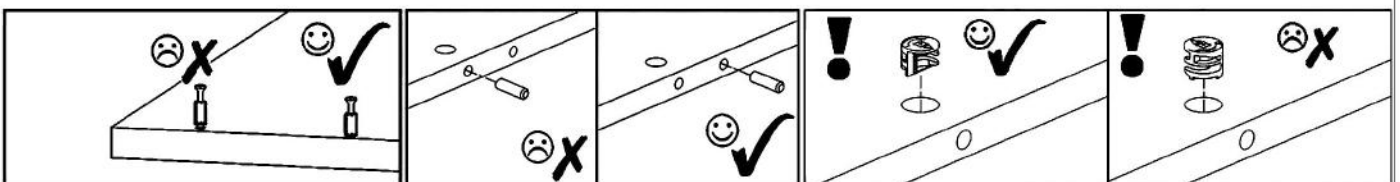
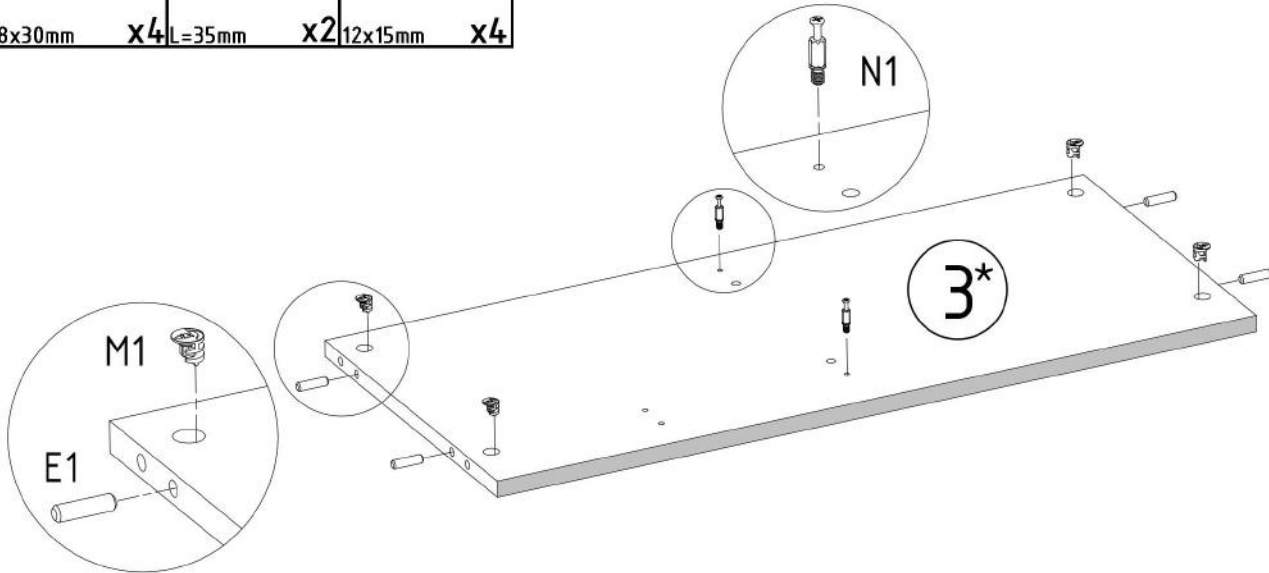







001704	15	2
001708	14	1
001707	13	1
001706	12	1
001698	11	1
001361	10	2
000038	9	1
001705	8	3
001710	7	1
001711	6	1
001709	5	1
001701	4	1
001699	3	2
001702	2	1
001703	1	1
ID	NUMBER	QUANTITY

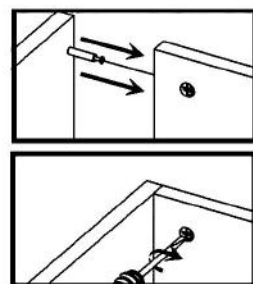
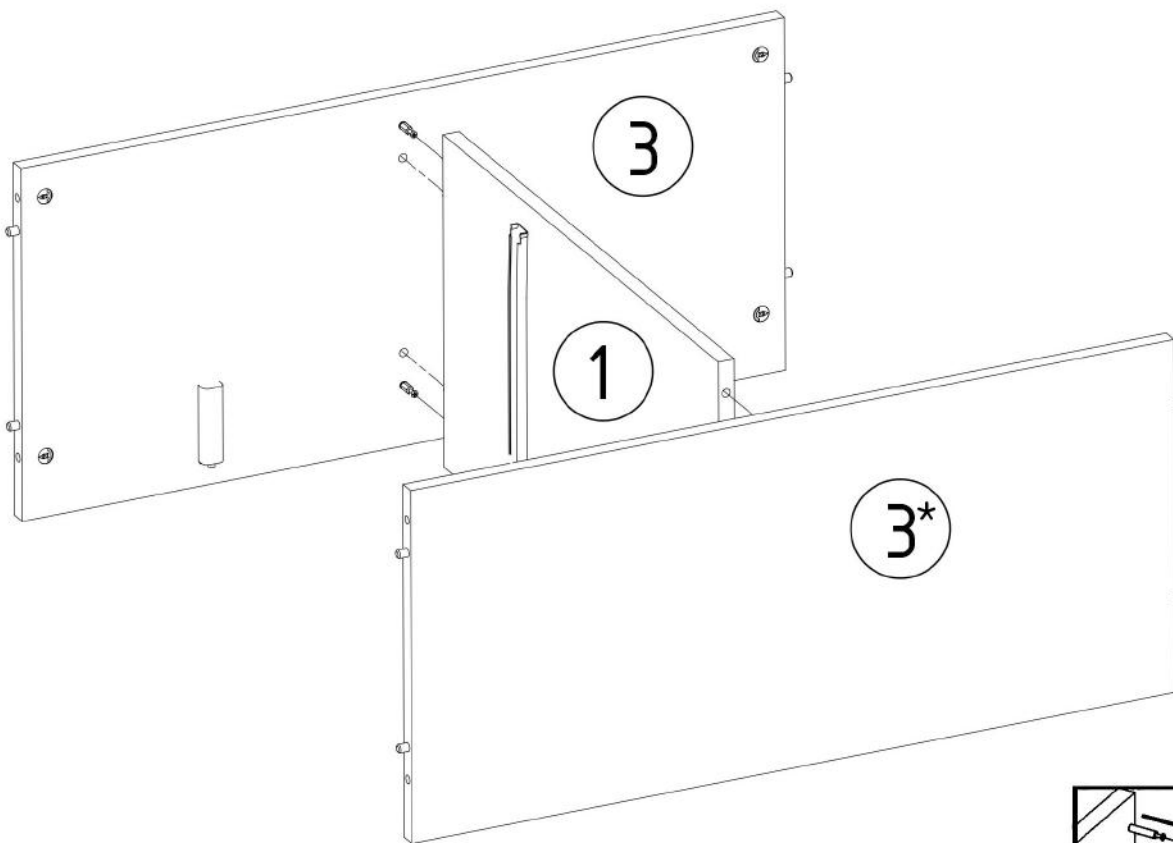
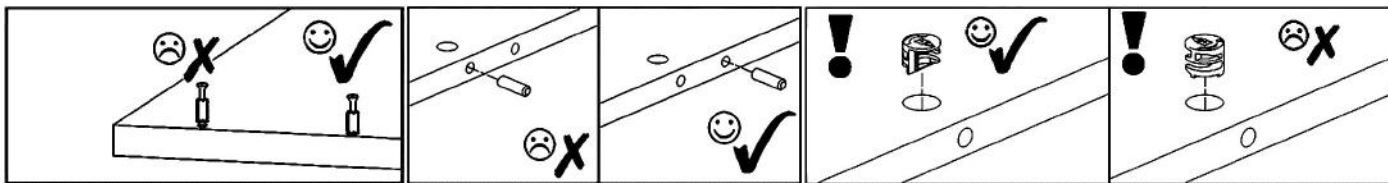
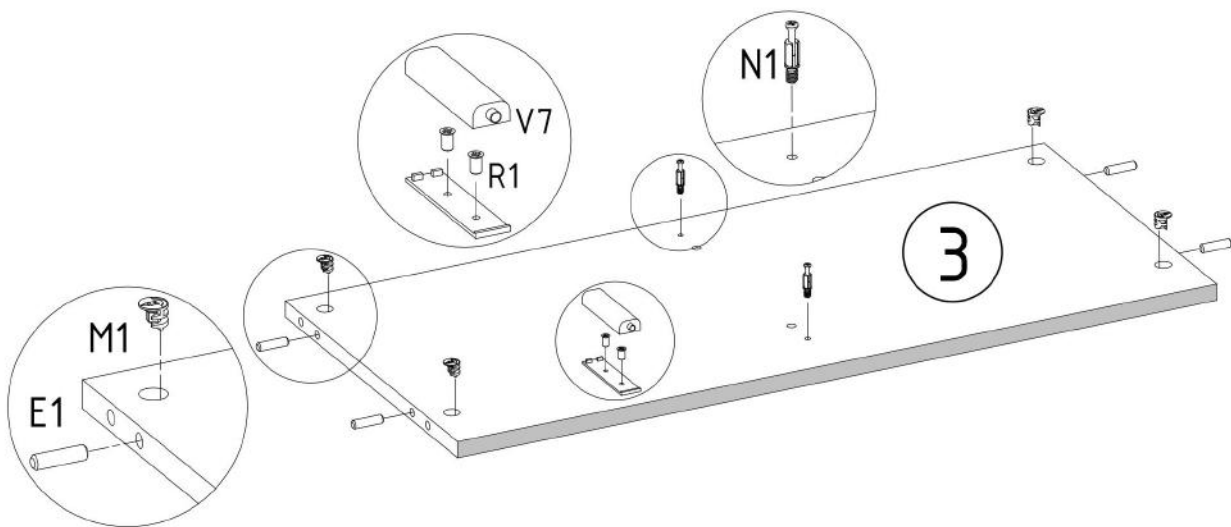
<b>M1</b>  12x15mm	<b>E1</b>  8x30mm	<b>V16</b>  5x16mm	<b>V7</b>  x4	<b>P2</b>  x2 L=300mm	<b>R1</b>  6x8mm	<b>x6</b>
--	--	---	---	--	--	-----------


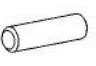


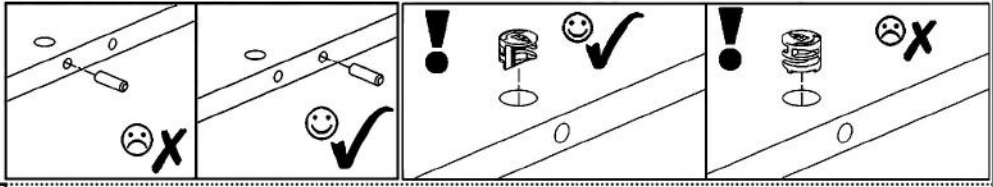
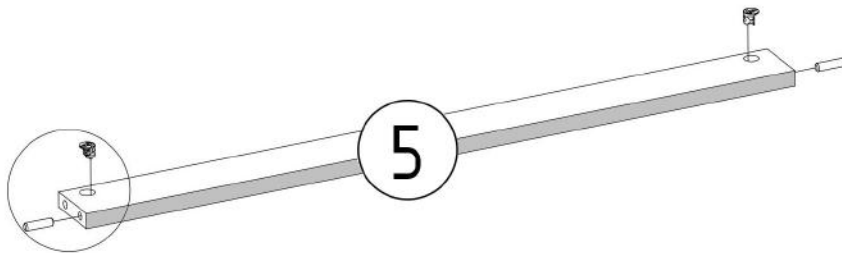
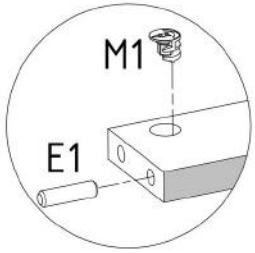
<b>E1</b>  8x30mm	<b>N1</b>  x4 L=35mm	<b>M1</b>  x2 12x15mm	<b>x4</b>
---	---	--	-----------



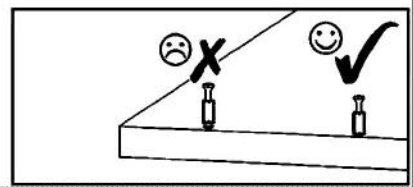
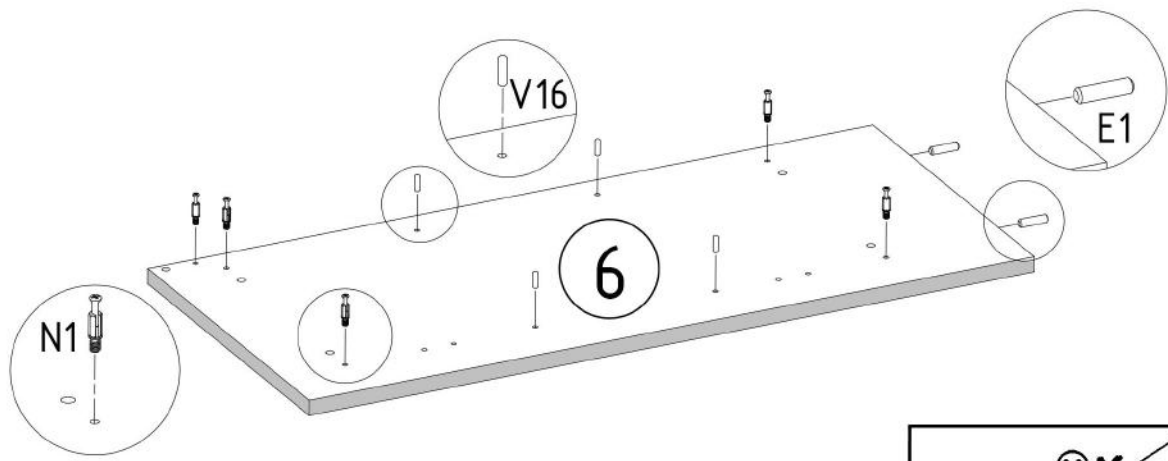
<b>M1</b>  12x15mm x4	<b>N1</b>  L=35mm x2	<b>E1</b>  8x30mm x4	<b>V7</b>  x1	<b>R1</b>  6x8mm x2
---	--	--	---	---







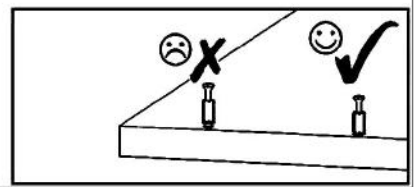
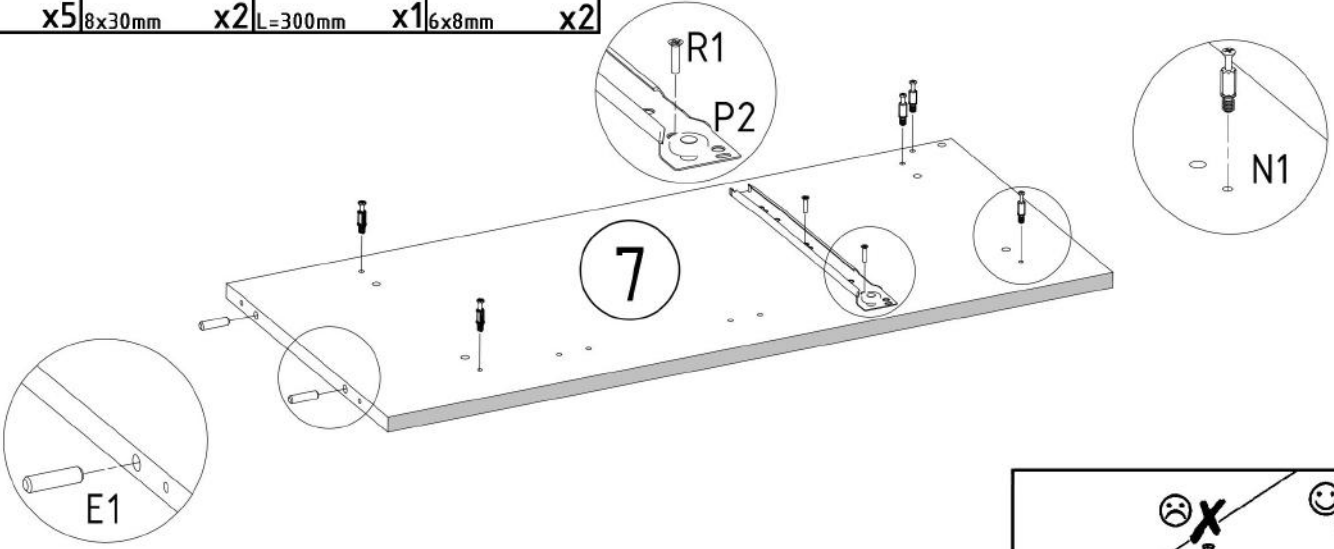
<b>M1</b>  12x15mm	<b>E1</b>  8x30mm
<b>x2</b>	<b>x2</b>

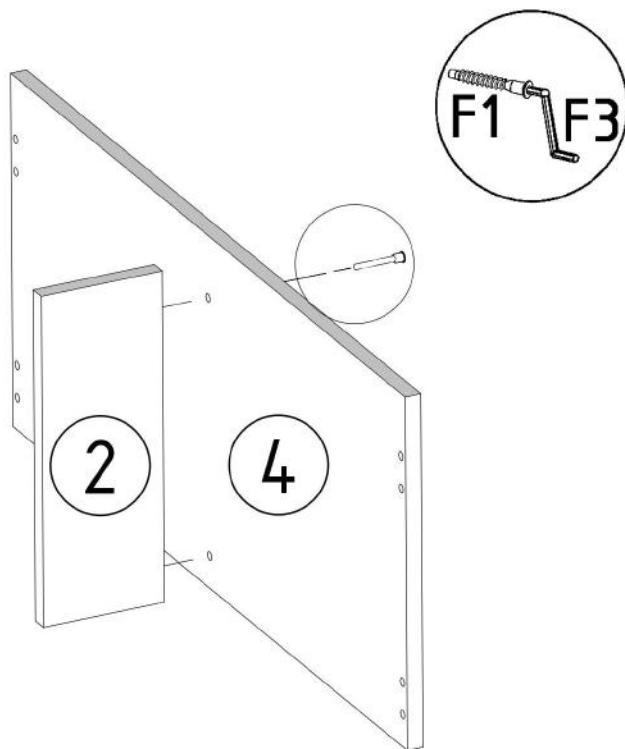
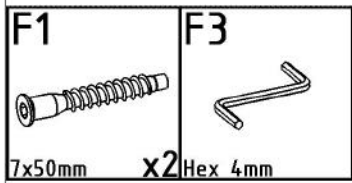
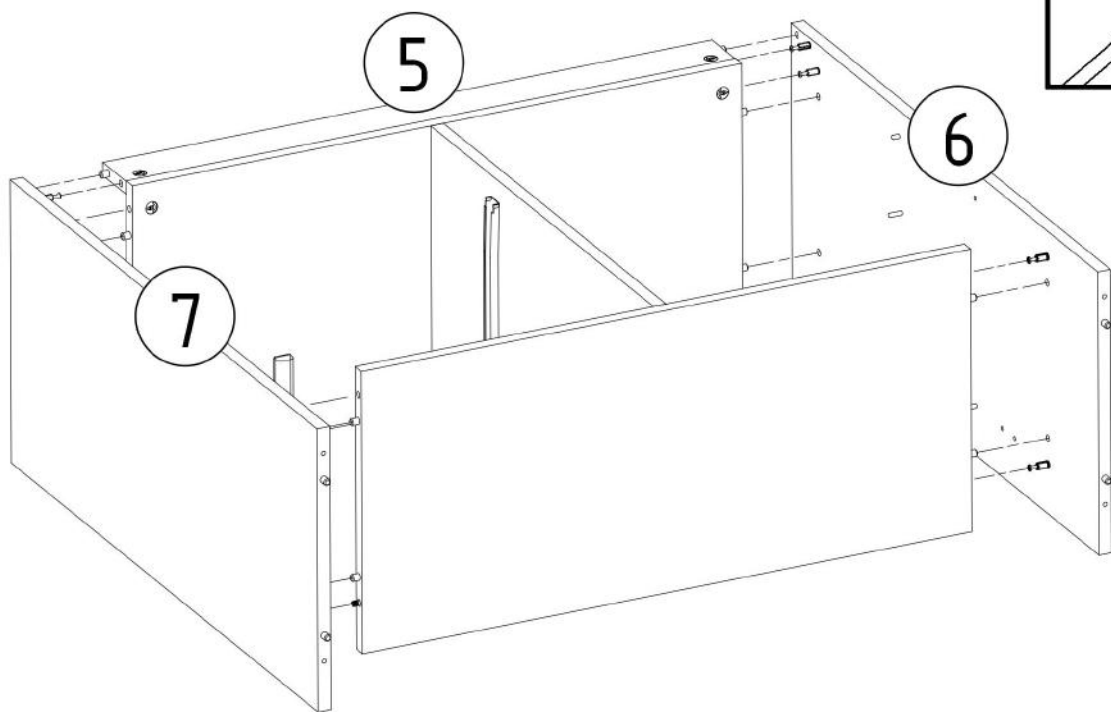



<b>E1</b>  8x30mm	<b>N1</b>  L=35mm	<b>V16</b>  5x16mm
<b>x2</b>	<b>x5</b>	<b>x4</b>




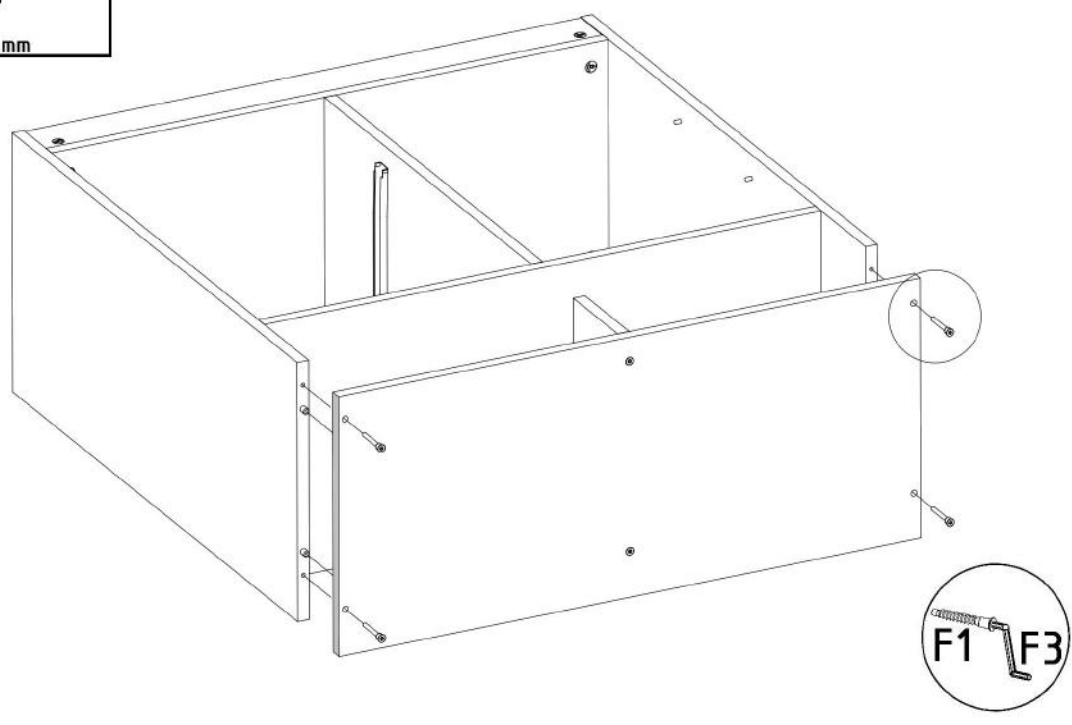
<b>N1</b>  L=35mm	<b>E1</b>  8x30mm	<b>P2</b>  L=300mm	<b>R1</b>  6x8mm
<b>x5</b>	<b>x2</b>	<b>x1</b>	<b>x2</b>




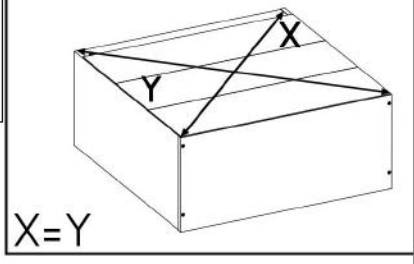
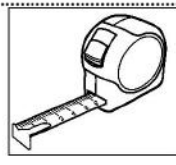


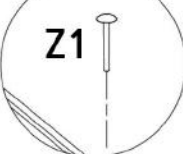
**F1**  
  
 7x50mm X4

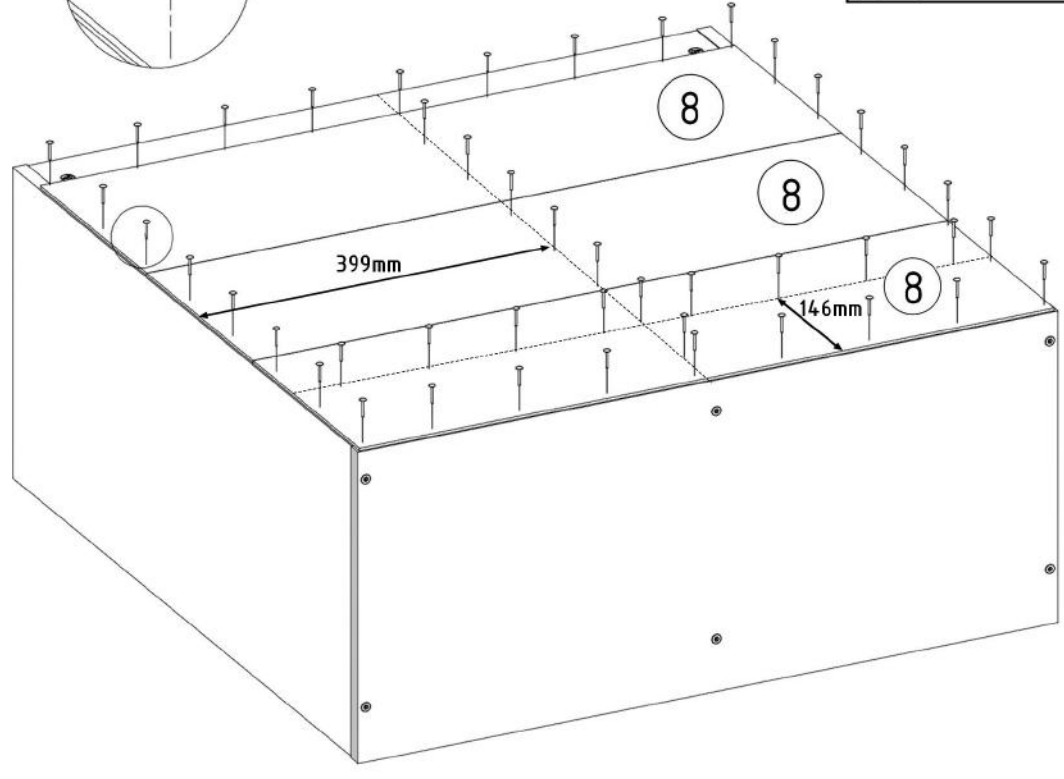
**F3**  
  
 Hex 4mm



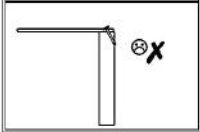
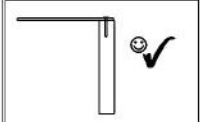
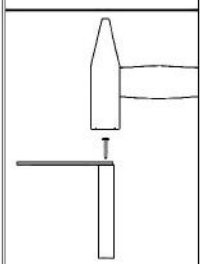
**Z1**  
  
 X44



**Z1**  


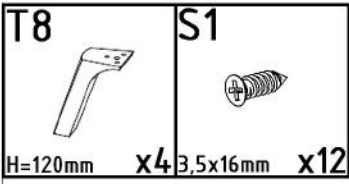
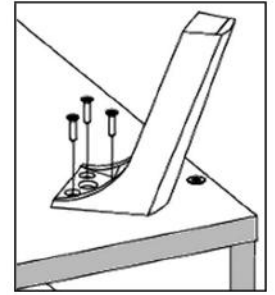
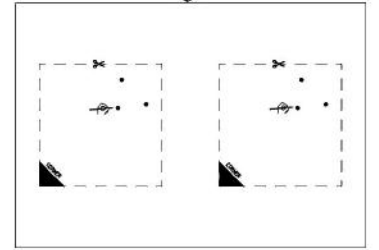
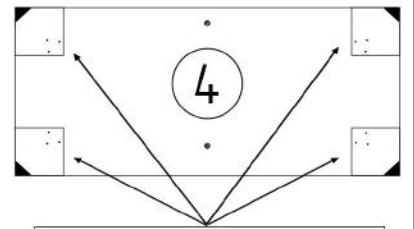
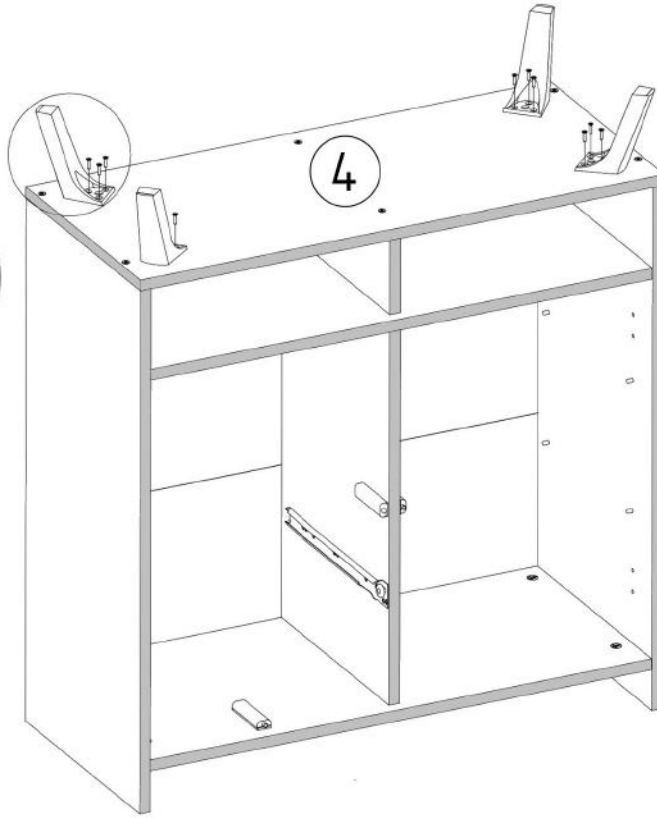
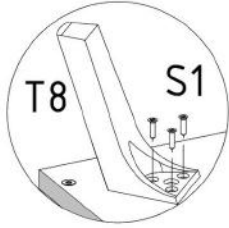


8mm

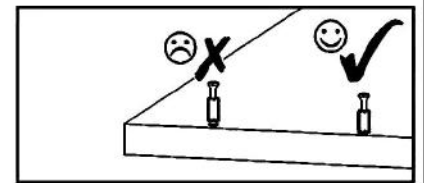
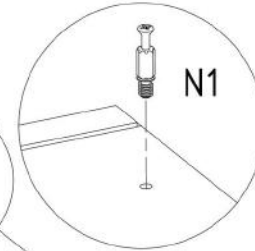
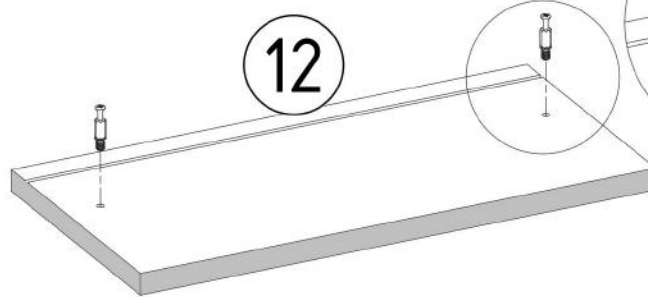


**T8**  
H=120mm **x4**

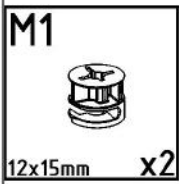
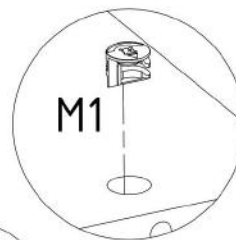
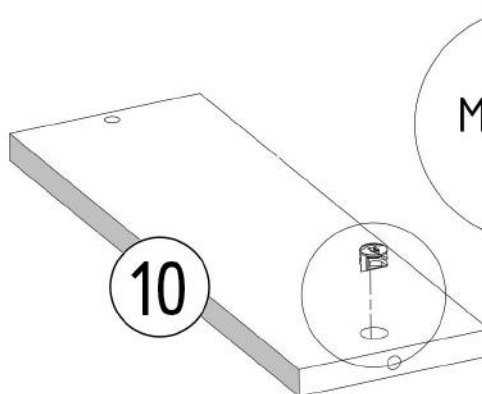
**S1**  
3,5x16mm **x12**

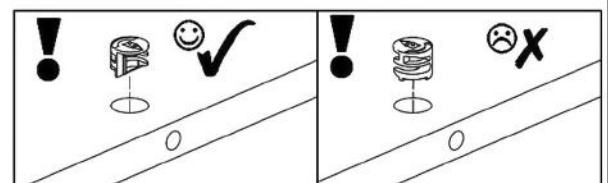
**N1**  
L=35mm **x2**

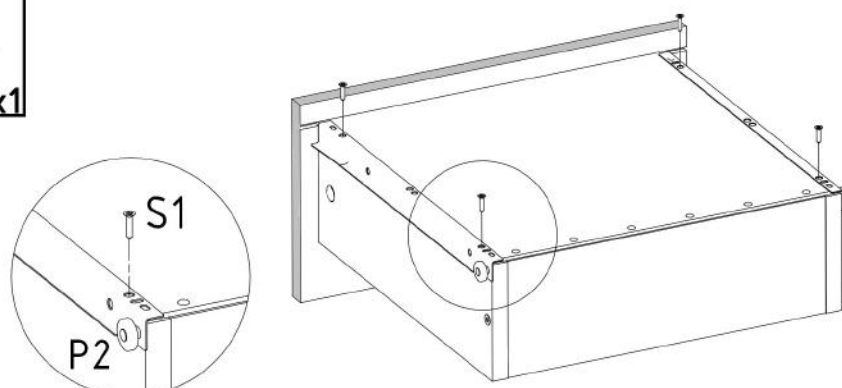
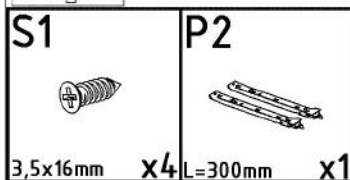
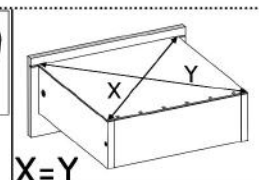
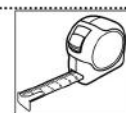
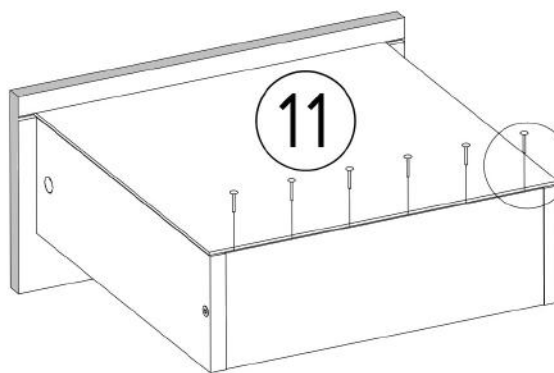
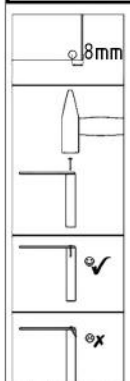
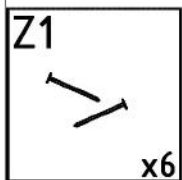
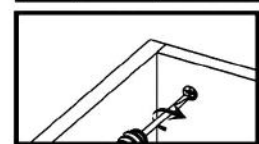
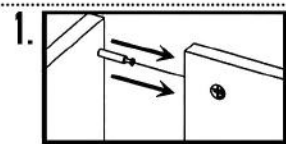
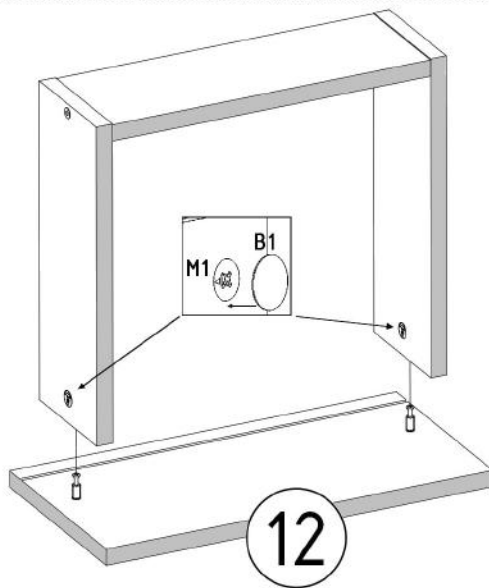
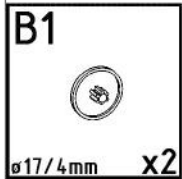
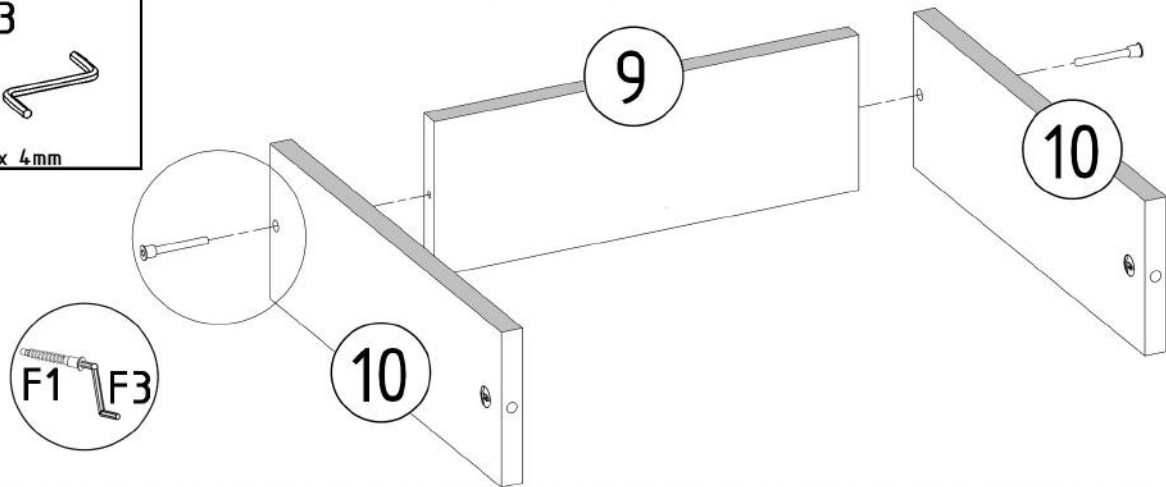
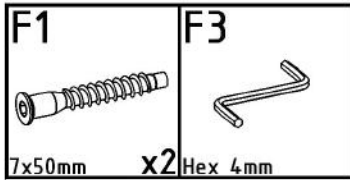



**M1**  
12x15mm **x2**

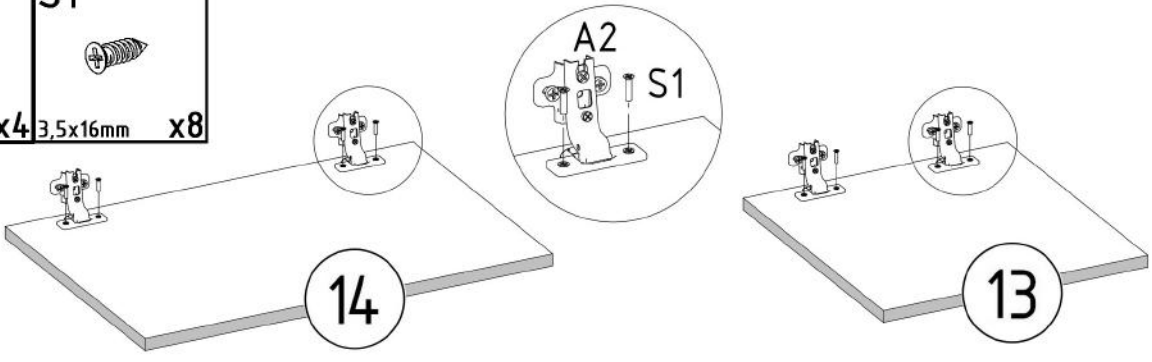
**x2**





**A2**  
ZW  
x4

**S1**  
3,5x16mm  
x8



**V13**  
x1

