

# AMBER\_4S

PRODUCTION DATE

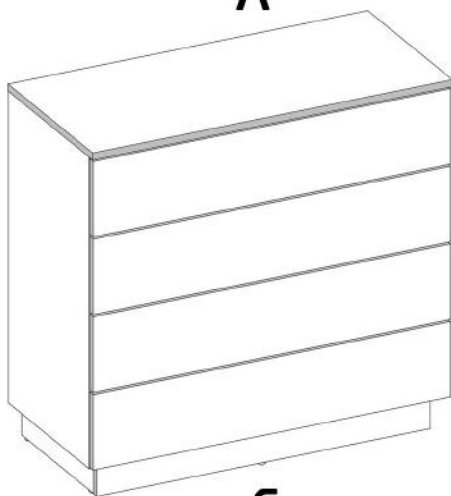
PACKING CODE



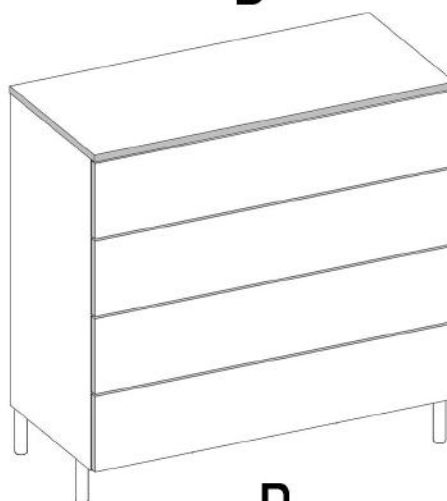
**A**



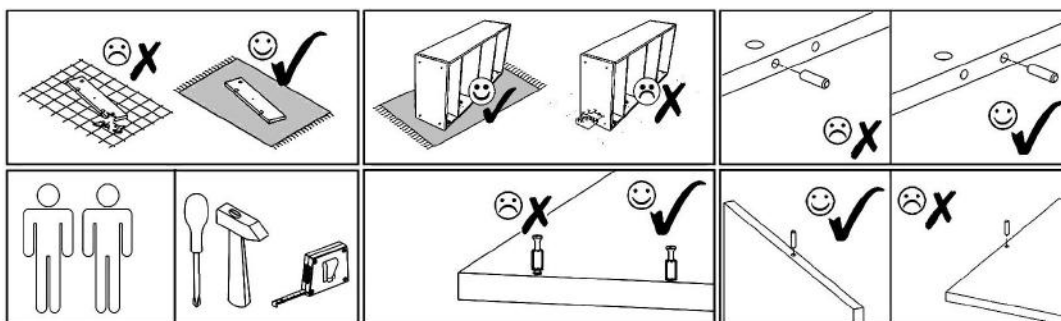
**B**











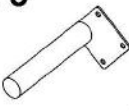


**C**




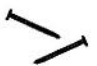






**D**



<b>B1</b>  B ø17/4mm x8	<b>V13</b>  x1	<b>V12</b>  x1
---	---	---

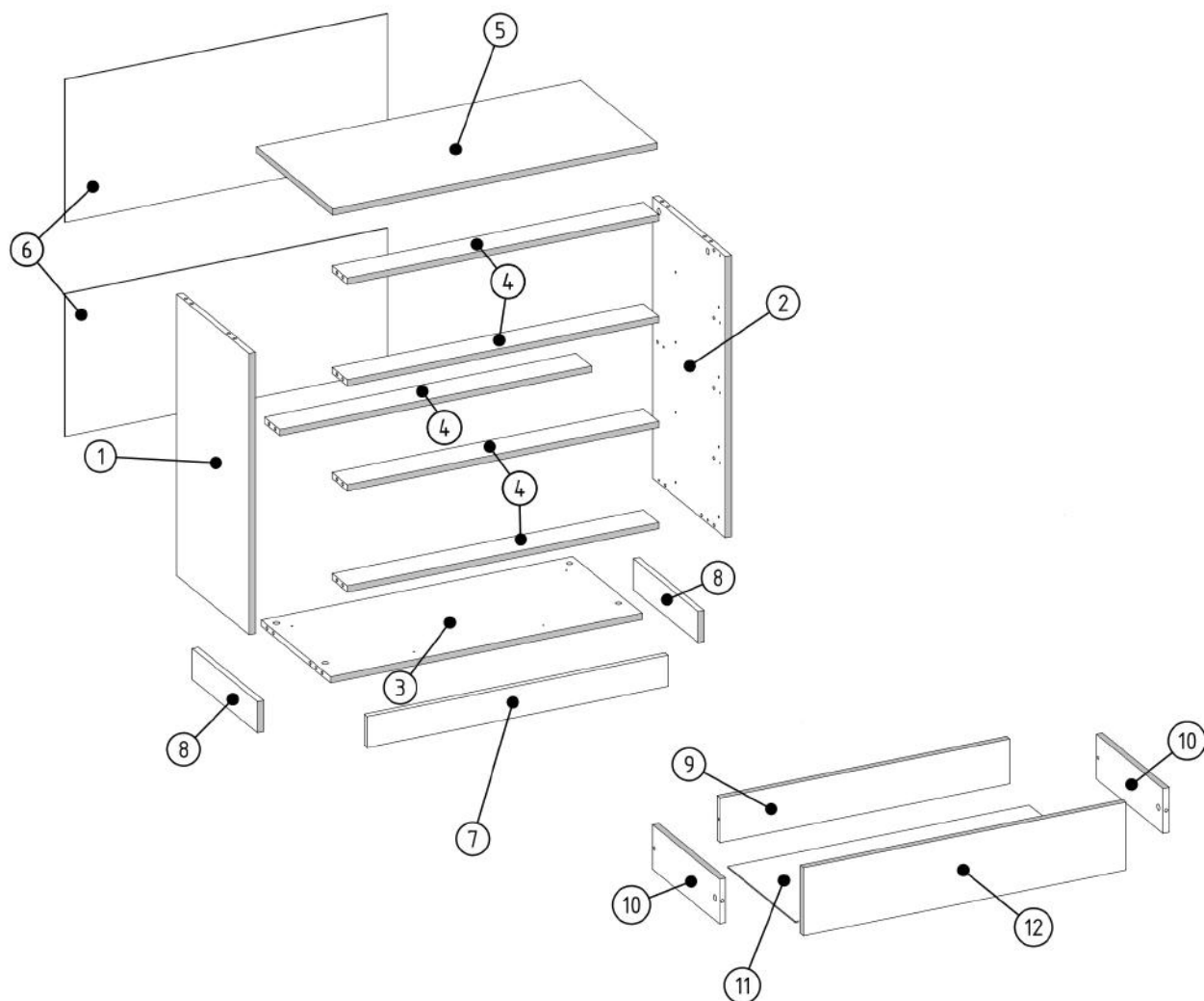
<b>N1</b>  L=35mm x26	<b>S1</b>  3,5x16mm x40	<b>R7</b>  4x27mm x8	<b>T1</b>  x5	<b>U6</b>  L=208/160 x4	<b>T6</b>  H=100mm x4	<b>V62</b>  x8	<b>V25</b>  x4
---	--	---	--	--	---	---	---

<b>F1</b>  7x50mm x8	<b>F3</b>  Hex 4mm x1	<b>E1</b>  8x30mm x24	<b>Z1</b>  x80	<b>R1</b>  6x8mm x16	<b>S9</b>  4x16mm x12	<b>P3</b>  L=350mm x4	<b>M1</b>  12x15mm x26
--	--	--	---	---	---	--	---

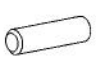




## AMBER\_4S

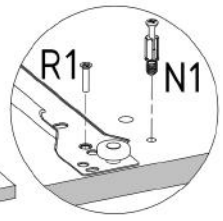
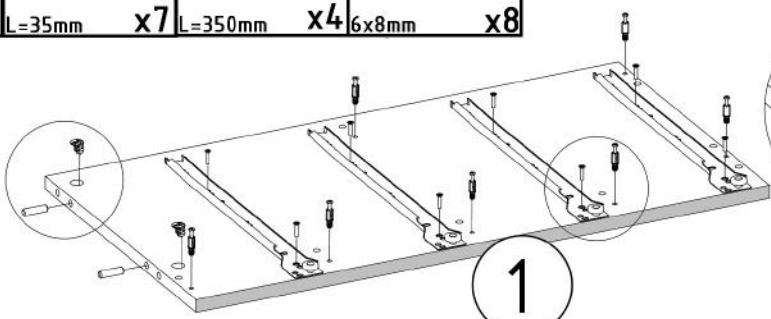
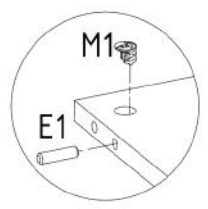
PRODUCTION DATE

PACKING CODE

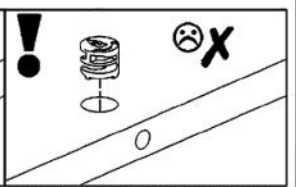
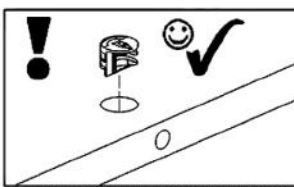
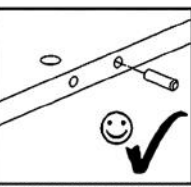
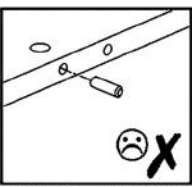
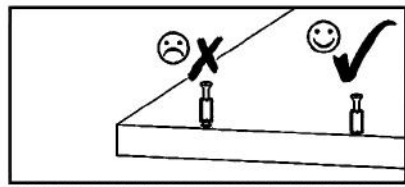


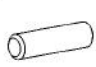




001794	12	4
001789	11	4
000053	10	8
001788	9	4
001795	8	2
001796	7	1
001793	6	2
001790	5	1
001792	4	5
001791	3	1
001797	2	1
001798	1	1
ID	NUMBER	QUANTITY

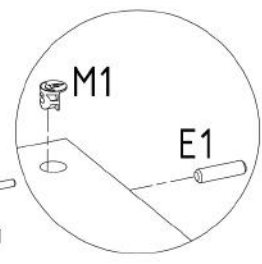
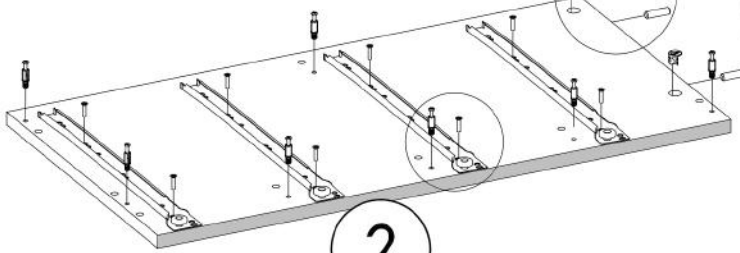
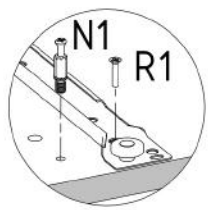
<b>E1</b>  8x30mm	<b>M1</b>  12x15mm	<b>N1</b>  L=35mm	<b>P3</b>  L=350mm	<b>R1</b>  6x8mm
<b>x2</b>	<b>x2</b>	<b>x7</b>	<b>x4</b>	<b>x8</b>



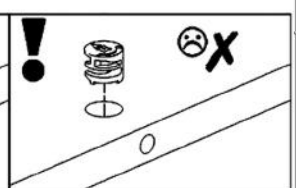
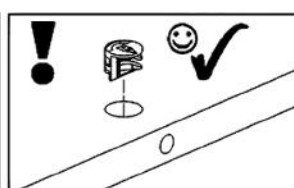
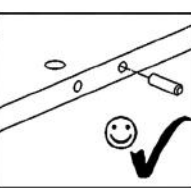
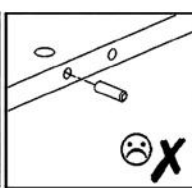
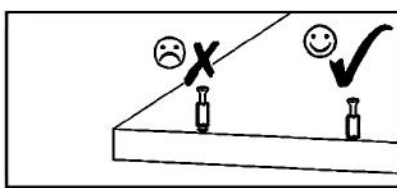
1

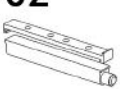





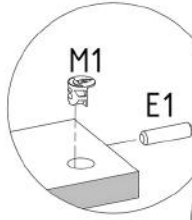
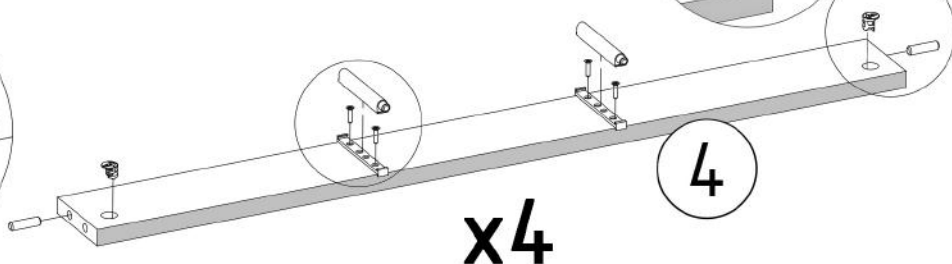
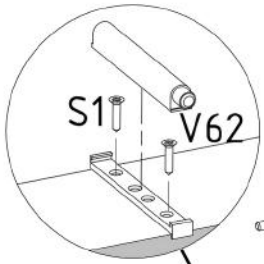
<b>E1</b>  8x30mm	<b>M1</b>  12x15mm	<b>N1</b>  L=35mm	<b>P3</b>  L=350mm	<b>R1</b>  6x8mm
<b>x2</b>	<b>x2</b>	<b>x7</b>	<b>x4</b>	<b>x8</b>



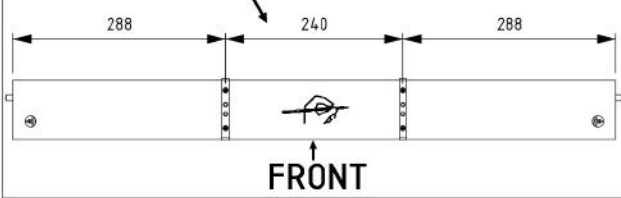
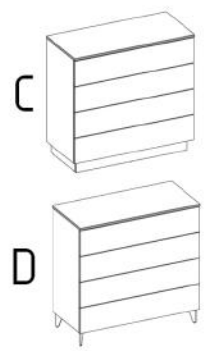
2

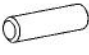



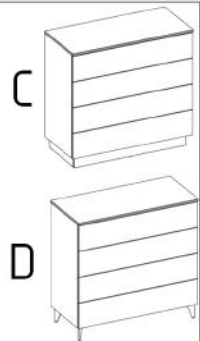
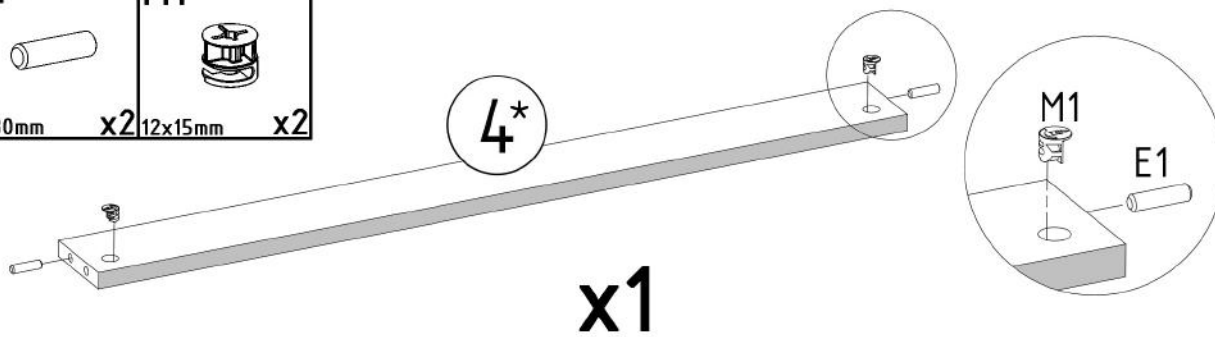
<b>V62</b>  3,5x16mm	<b>S1</b>  16mm	<b>M1</b>  12x15mm	<b>E1</b>  8x30mm
<b>x8</b>	<b>x16</b>	<b>x8</b>	<b>x8</b>

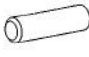



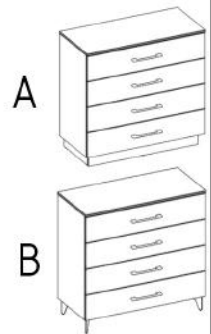
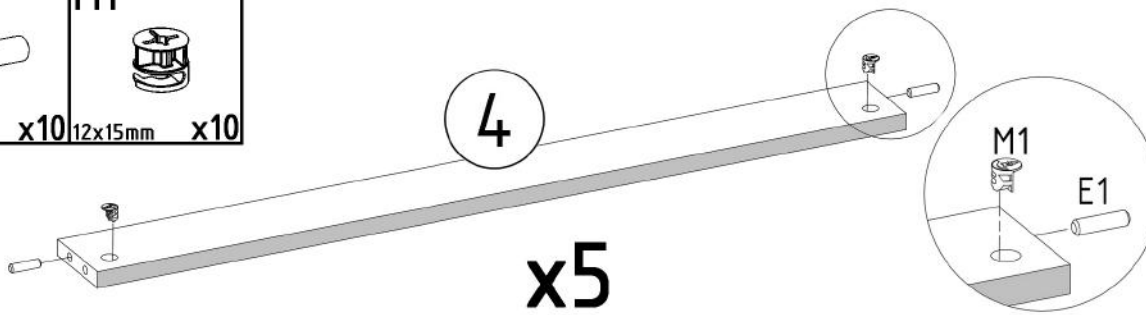
4





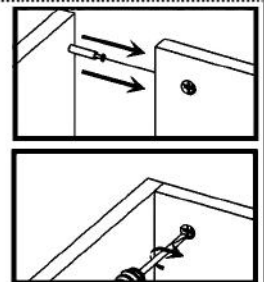
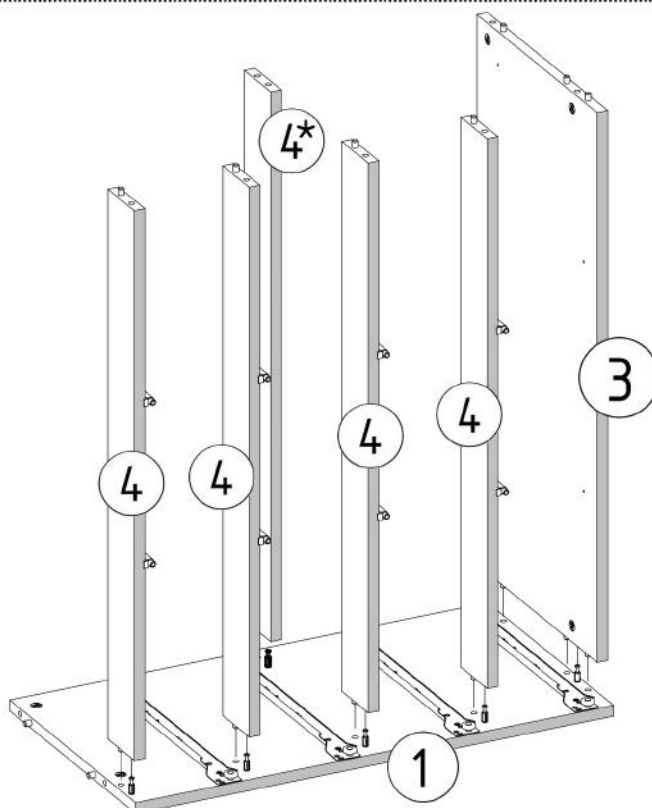
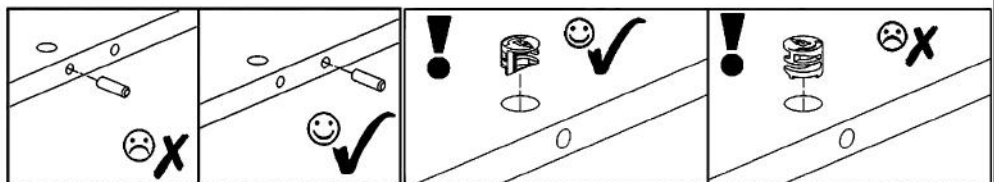
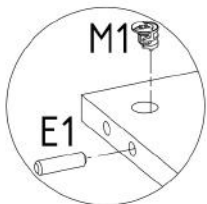
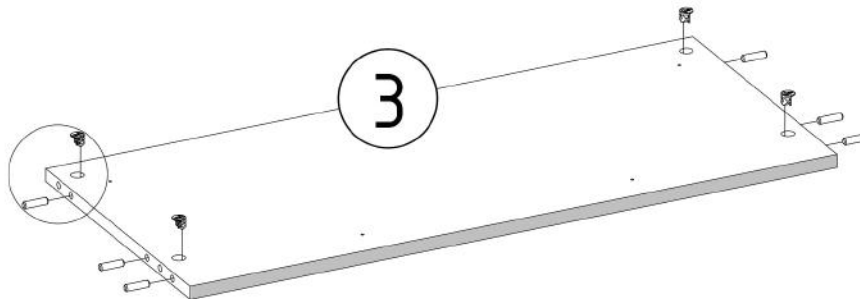
<b>E1</b>  8x30mm	<b>M1</b>  12x15mm
<b>x2</b>	<b>x2</b>

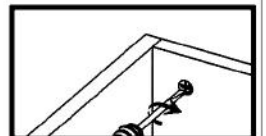
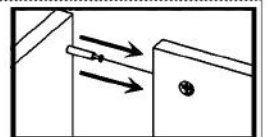
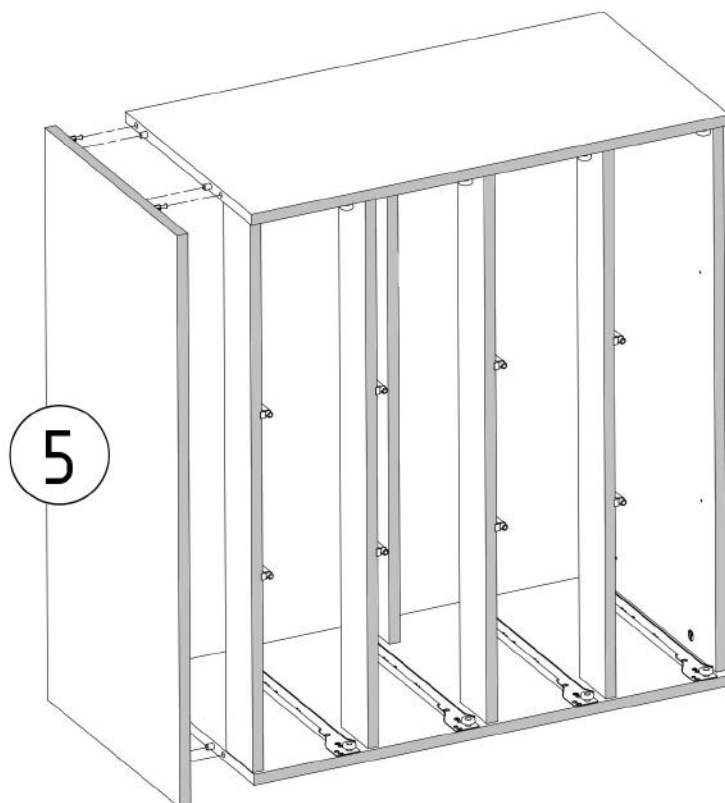
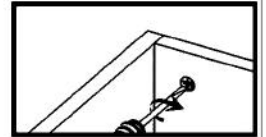
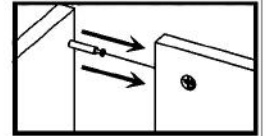
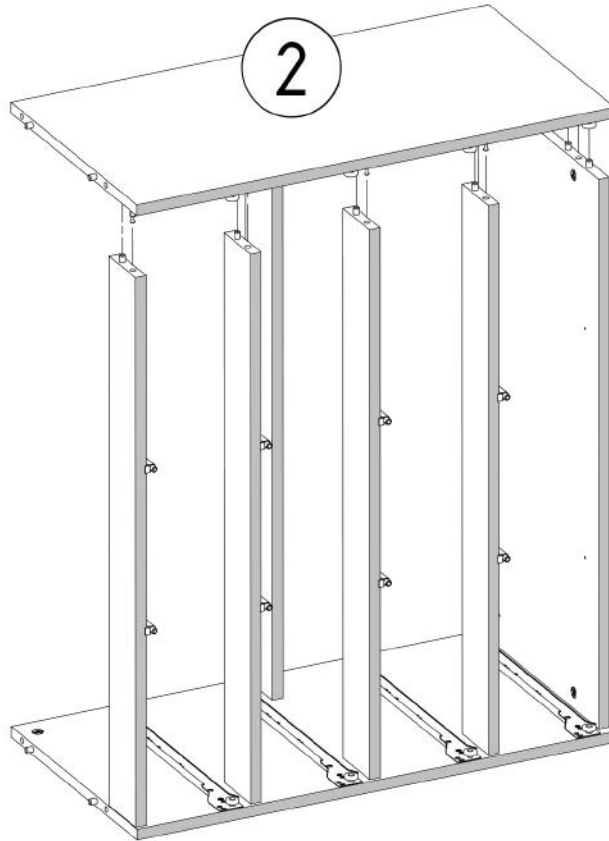
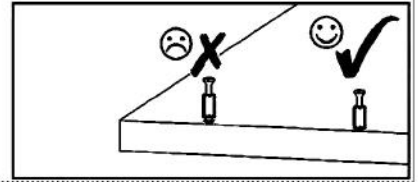
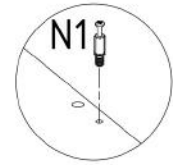
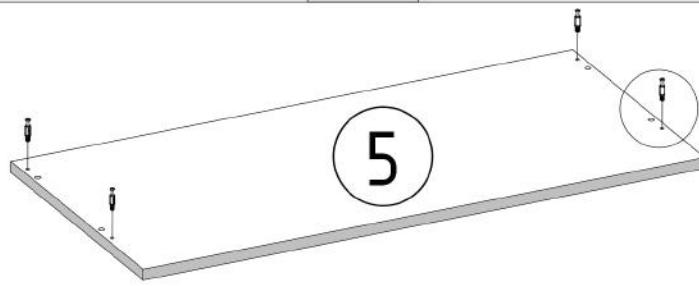


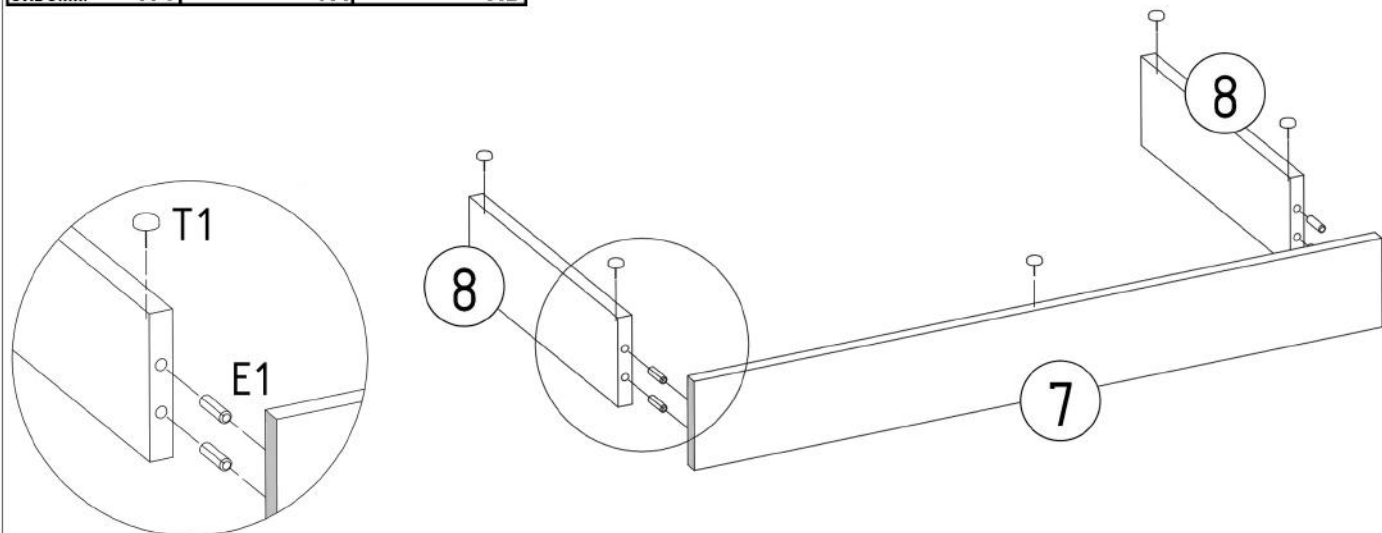
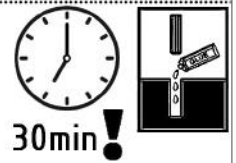
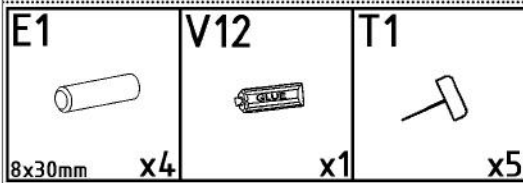
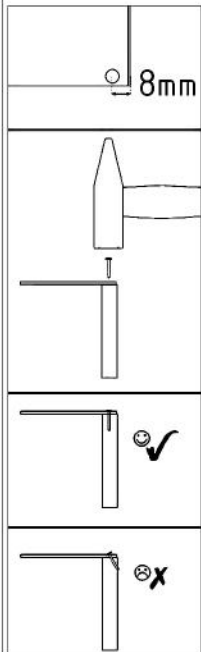
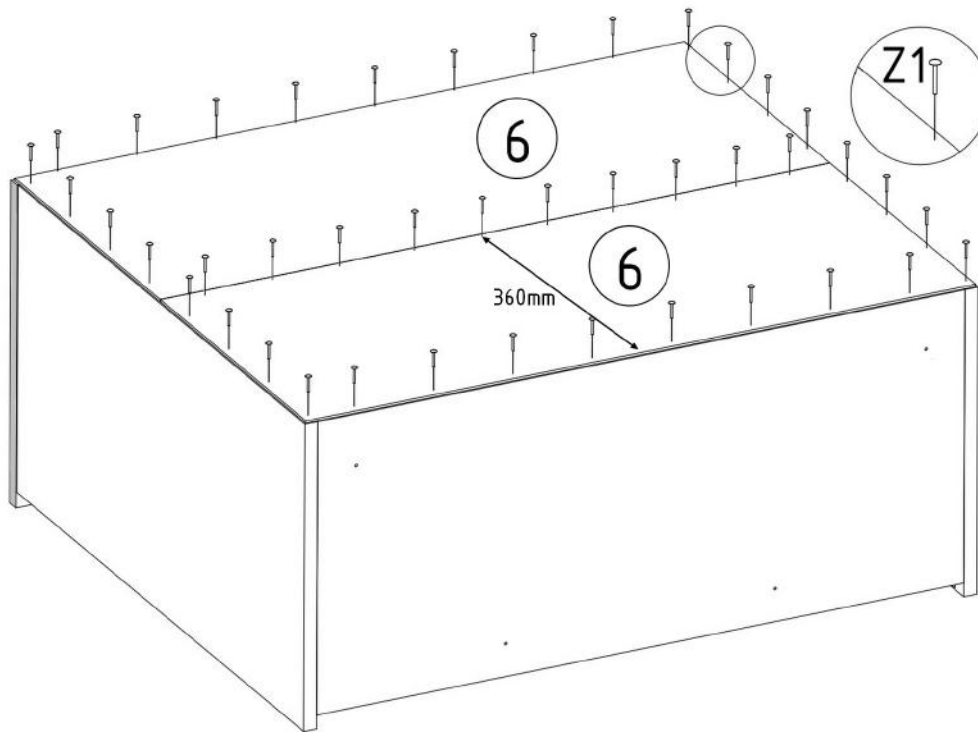
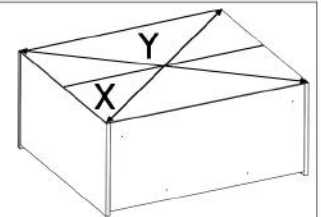
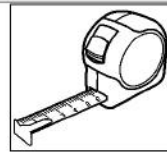
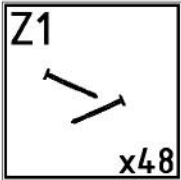
<b>E1</b>  8x30mm	<b>M1</b>  12x15mm
<b>x10</b>	<b>x10</b>

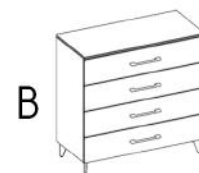
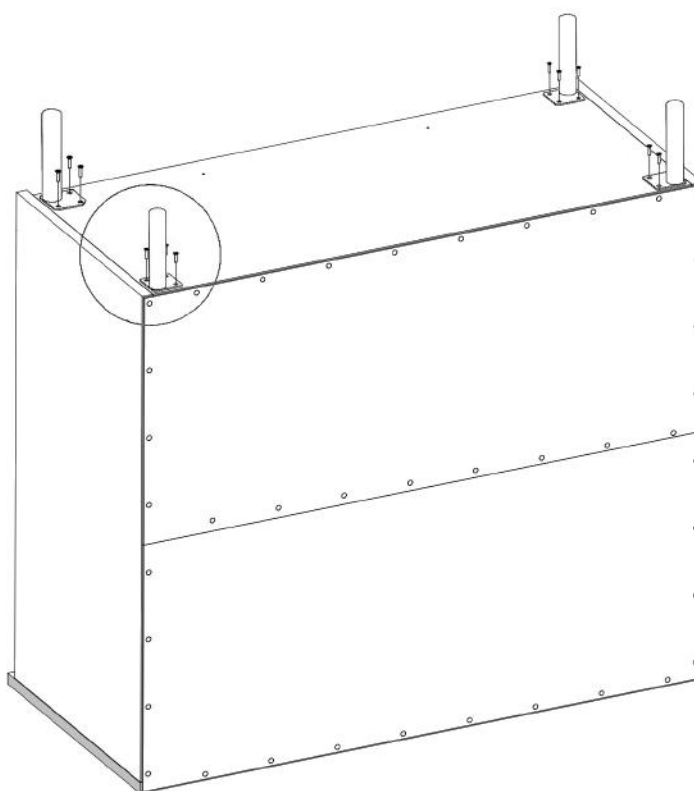
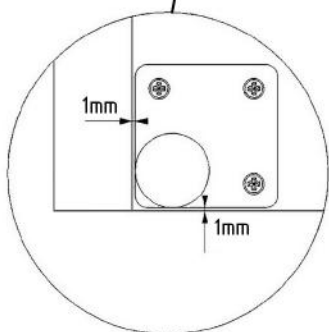
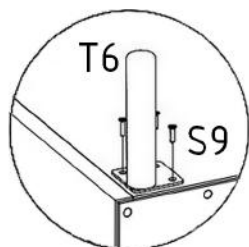
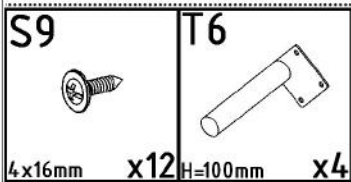
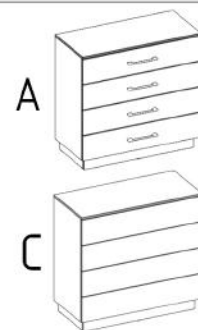
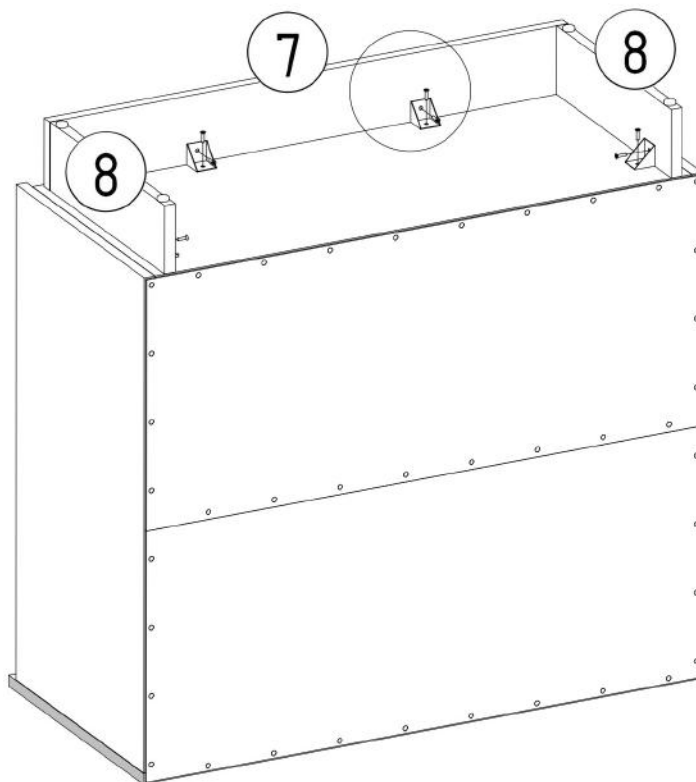
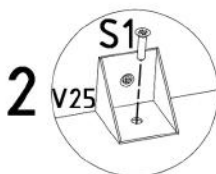
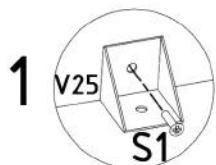
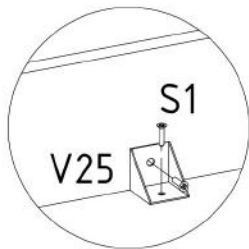
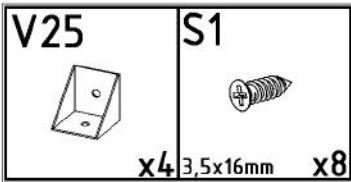


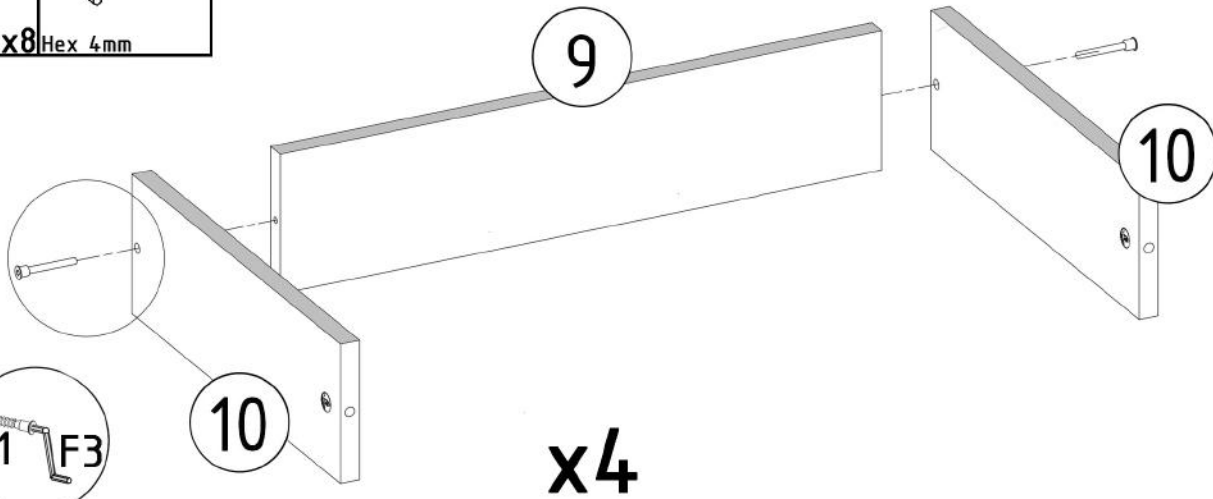
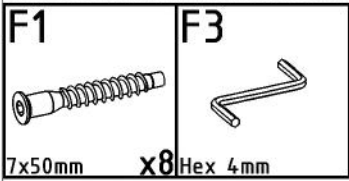
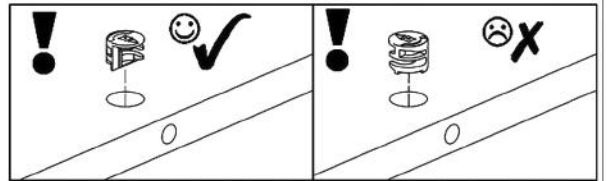
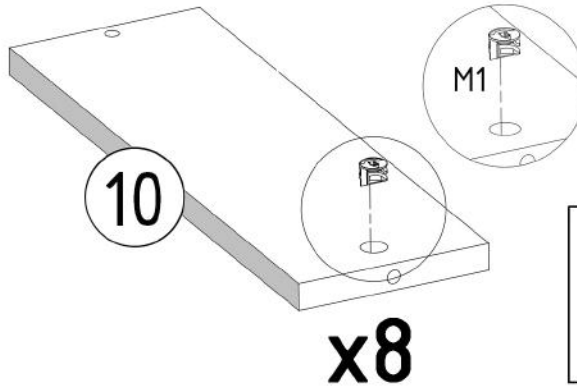
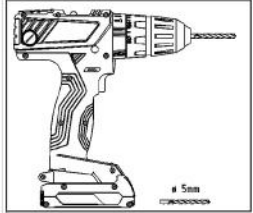
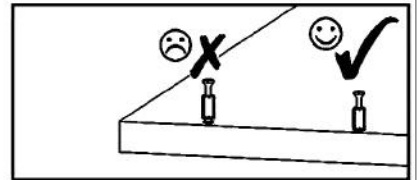
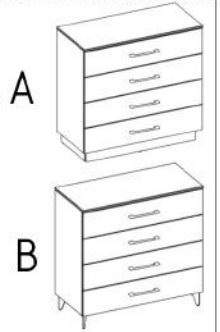
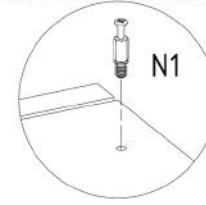
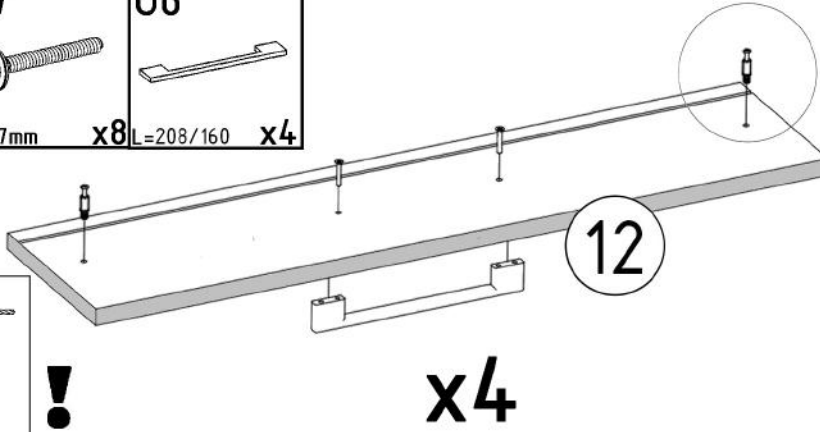
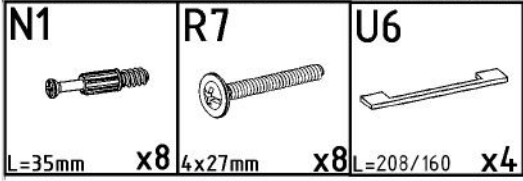
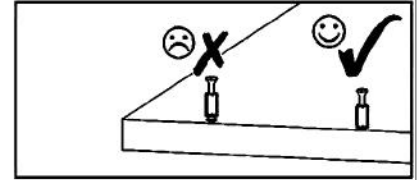
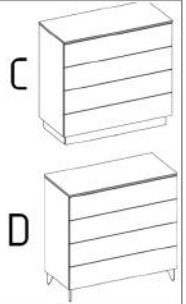
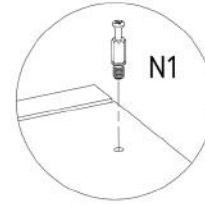
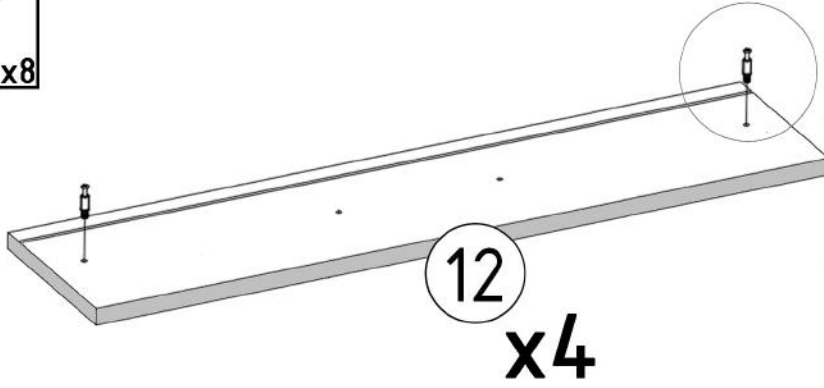
<b>M1</b>  12x15mm	<b>E1</b>  8x30mm
<b>x4</b>	<b>x6</b>








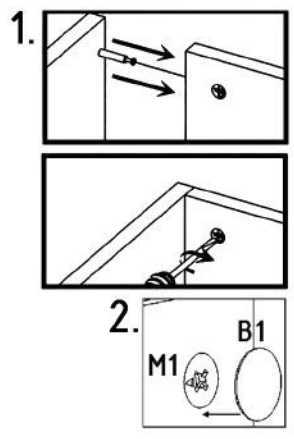
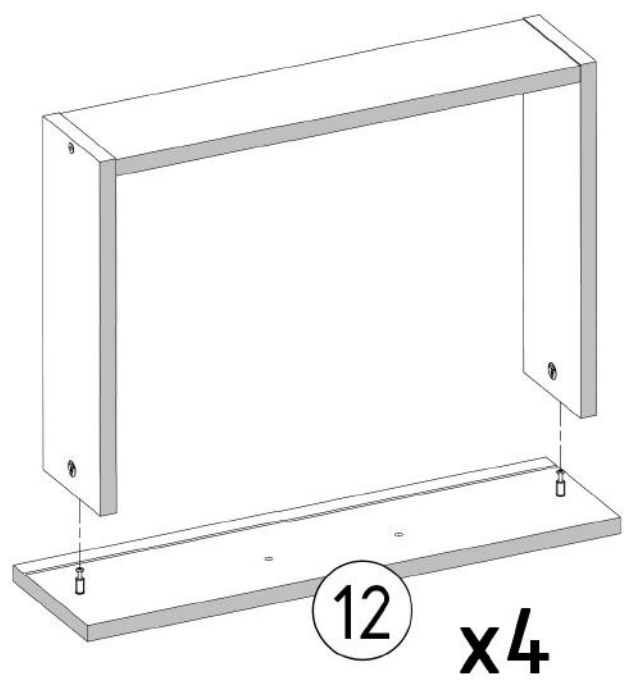





**B1**



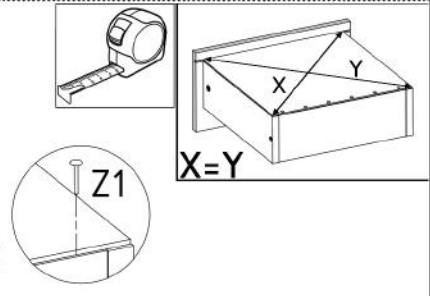
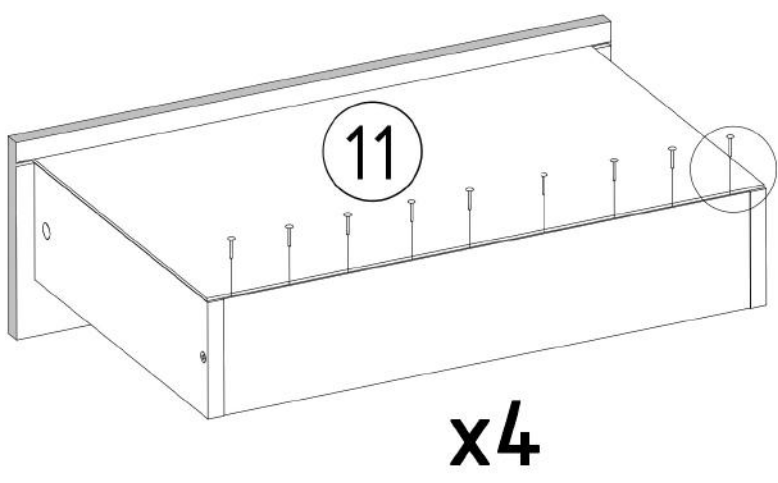
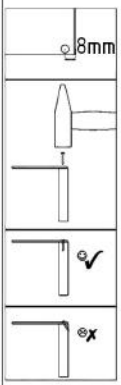
∅17.4mm x8




**Z1**



x32




**S1**

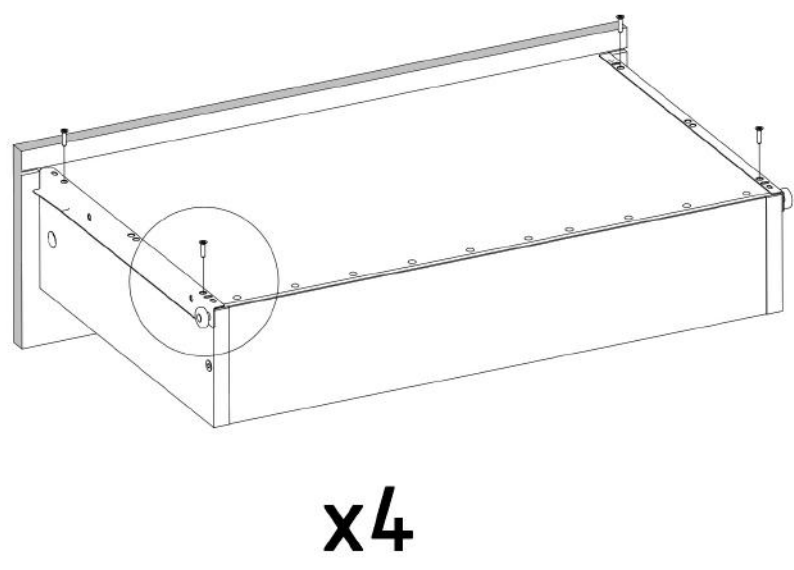
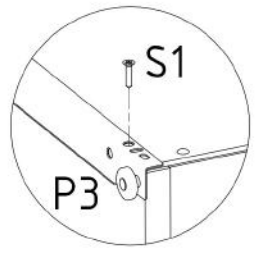


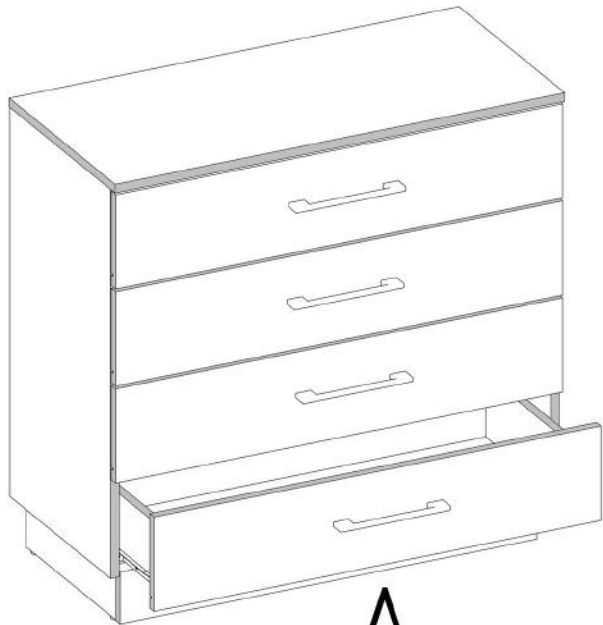
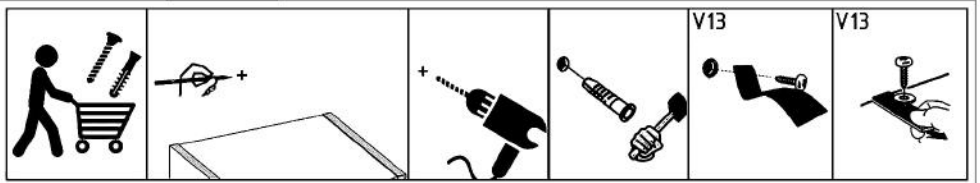
3.5x16mm x16

**P3**

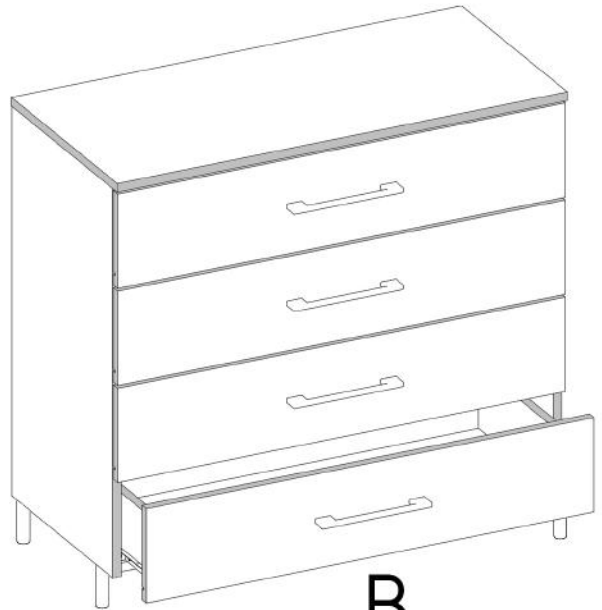


L=350mm x4

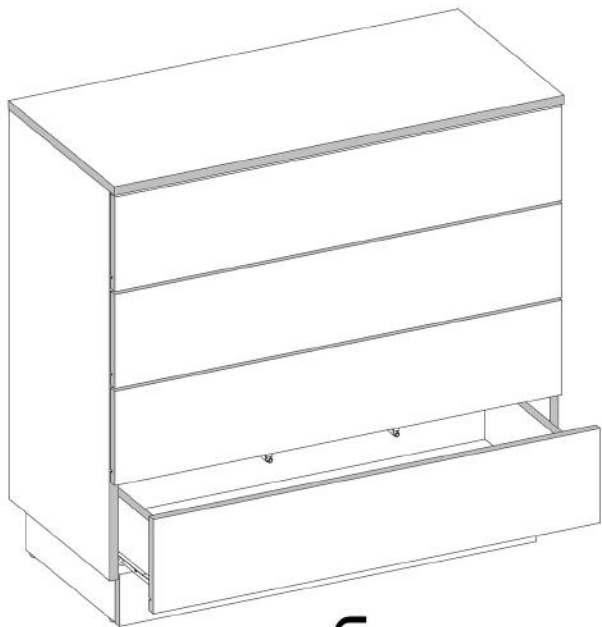




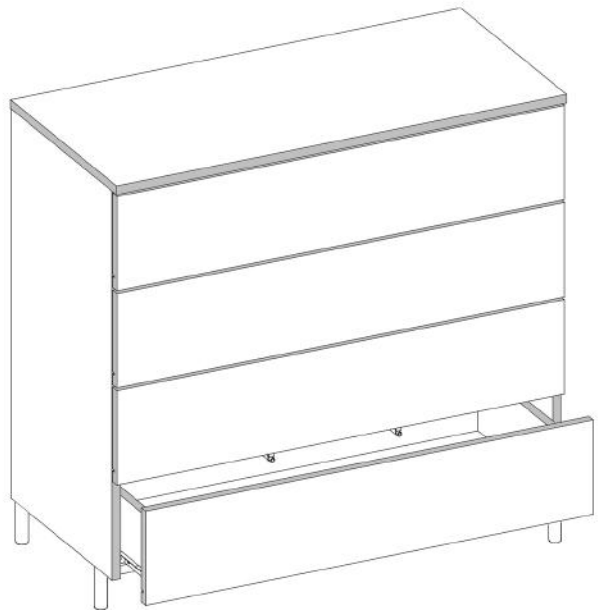
A



B



C



D