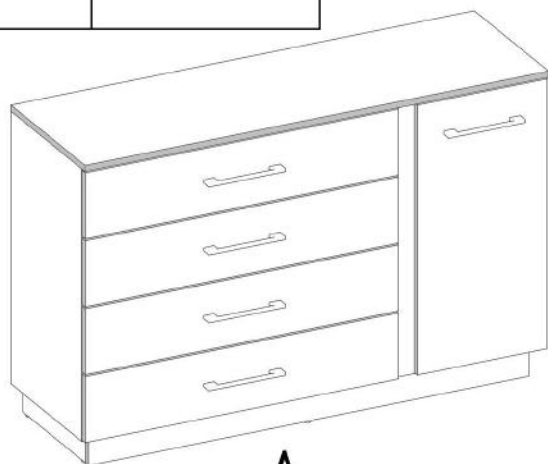


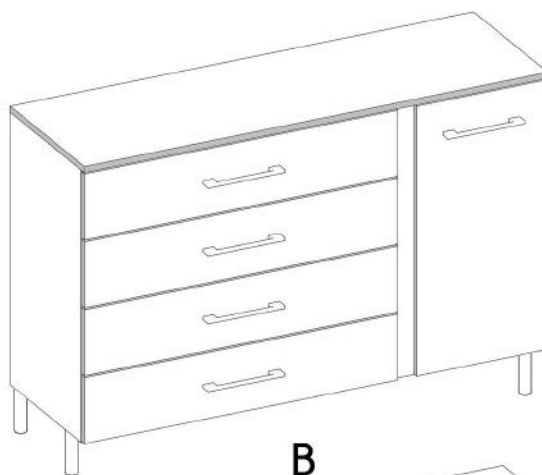
AMBER\_1D4S

PRODUCTION DATE

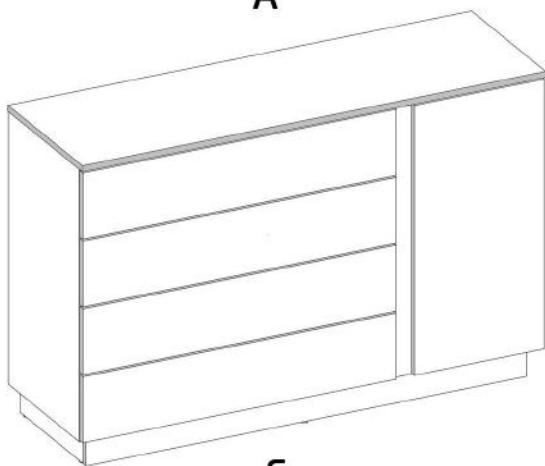
PACKING CODE



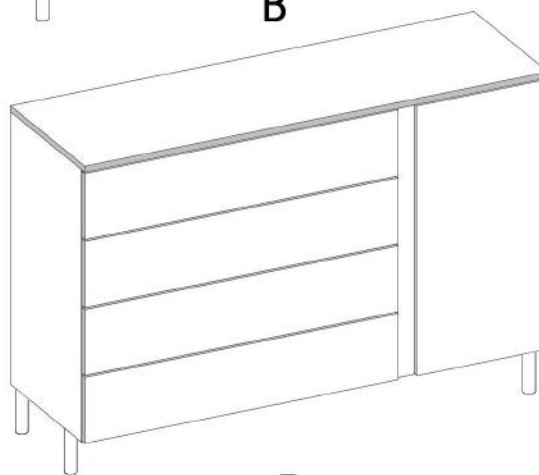
A



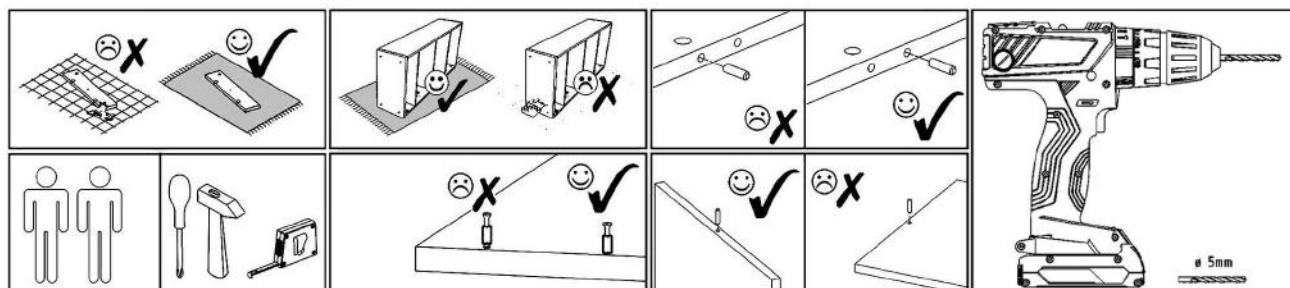
B



C



D



V12



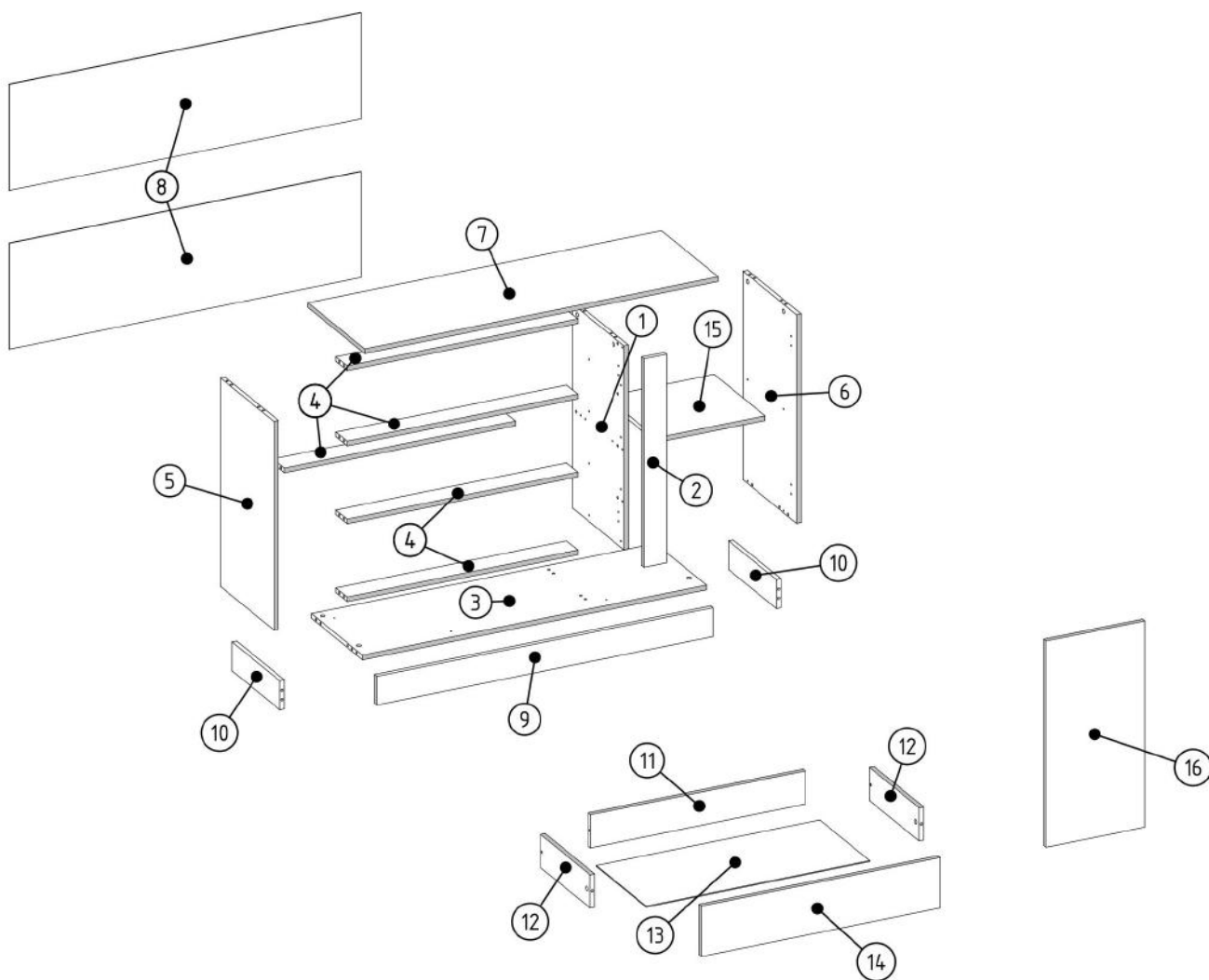
x1

<p><b>B1</b></p> <p>ø17/4mm x8</p>	<p><b>V13</b></p> <p>x1</p>	<p><b>V25</b></p> <p>x4</p>	<p><b>V39</b></p> <p>x2</p>	<p><b>T4</b></p> <p>H=100mm x1</p>	<p><b>R2</b></p> <p>6x13mm x8</p>	<p><b>V16</b></p> <p>5x16mm x4</p>	<p><b>A1</b></p> <p>ZP x2</p>
<p><b>N1</b></p> <p>L=35mm x28</p>	<p><b>S1</b></p> <p>3,5x16mm x48</p>	<p><b>R7</b></p> <p>4x27mm x10</p>	<p><b>T1</b></p> <p>x5</p>	<p><b>U6</b></p> <p>L=208/160 x5</p>	<p><b>T6</b></p> <p>H=100mm x4</p>	<p><b>V62</b></p> <p>x8</p>	<p><b>V7</b></p> <p>x1</p>
<p><b>F1</b></p> <p>7x50mm x10</p>	<p><b>F3</b></p> <p>Hex 4mm x1</p>	<p><b>E1</b></p> <p>8x30mm x28</p>	<p><b>Z1</b></p> <p>x80</p>	<p><b>R1</b></p> <p>6x8mm x18</p>	<p><b>S9</b></p> <p>4x16mm x12</p>	<p><b>P3</b></p> <p>L=350mm x4</p>	<p><b>M1</b></p> <p>12x15mm x28</p>



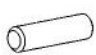





## AMBER\_1D4S

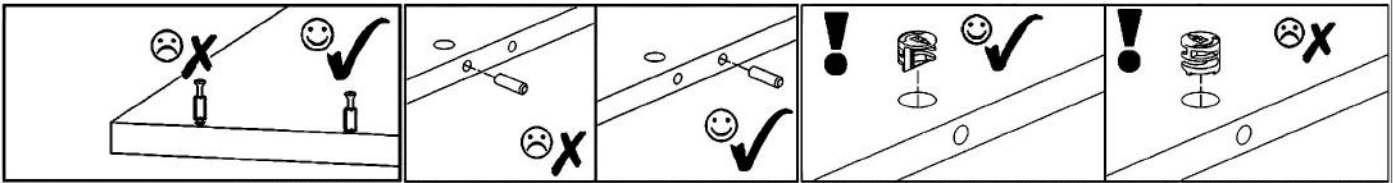
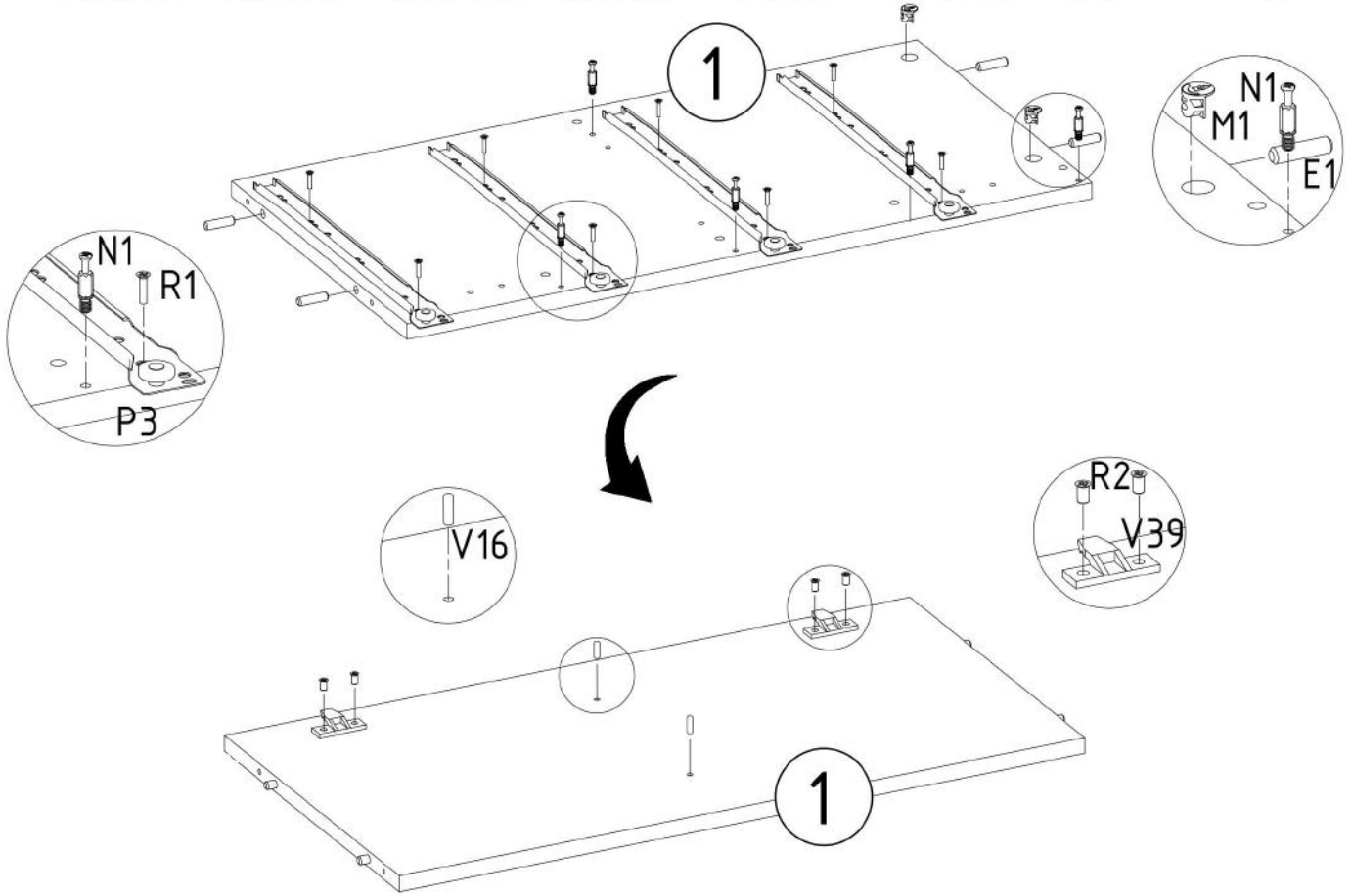
PRODUCTION DATE



PACKING CODE

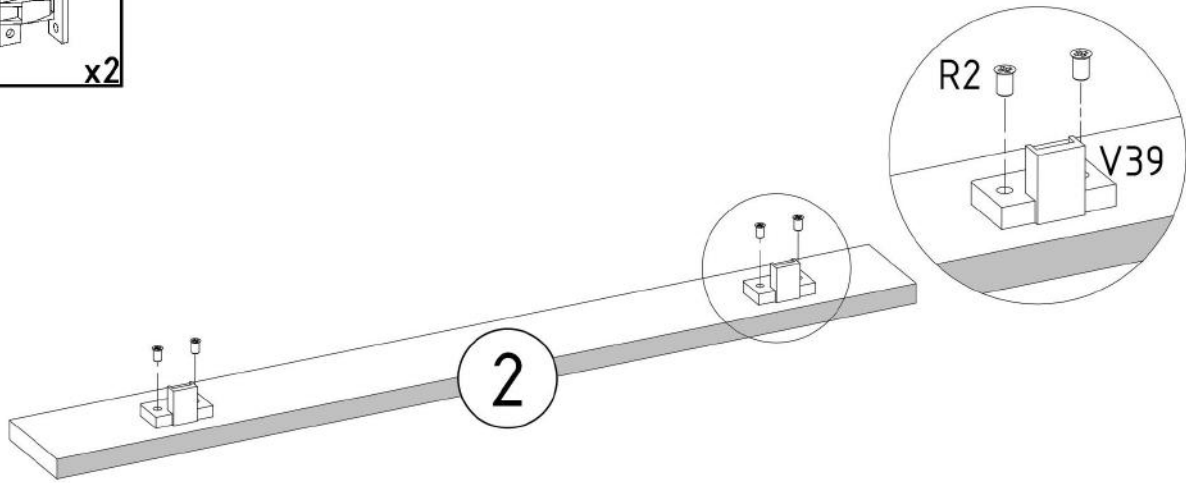


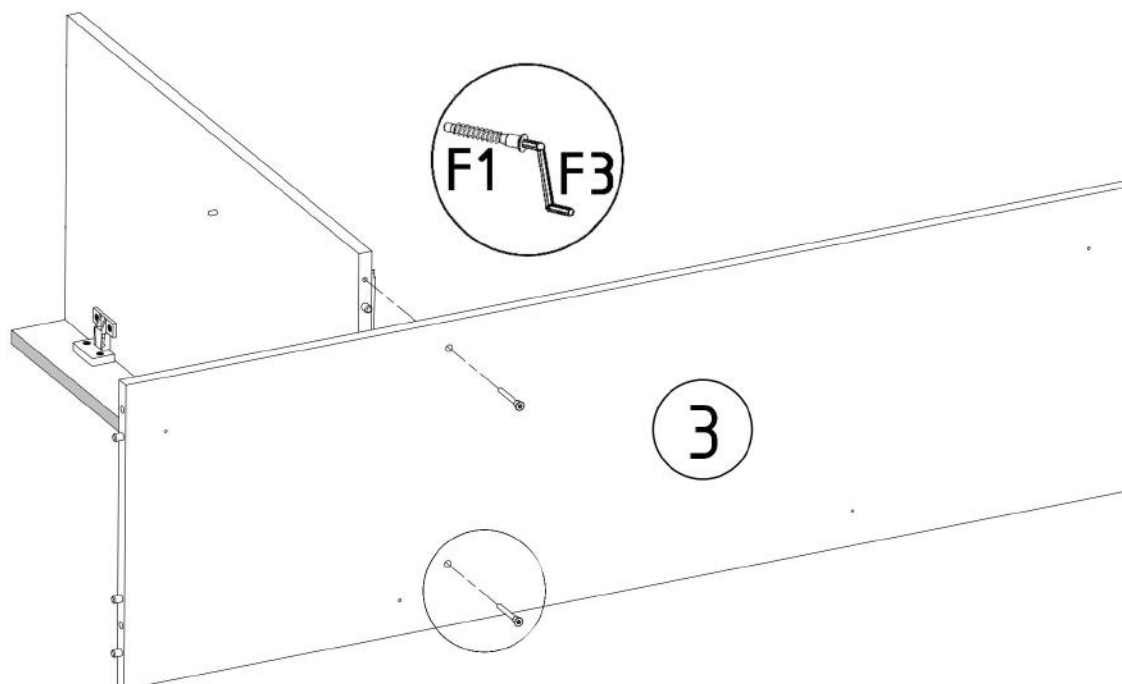
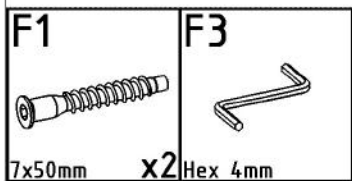
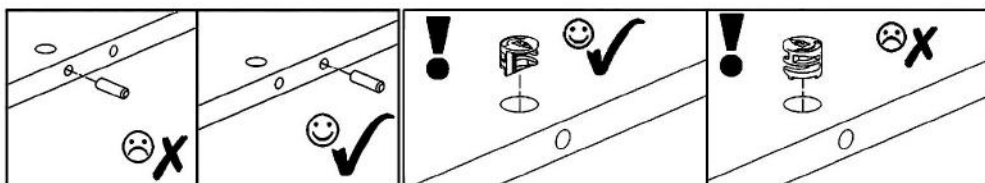
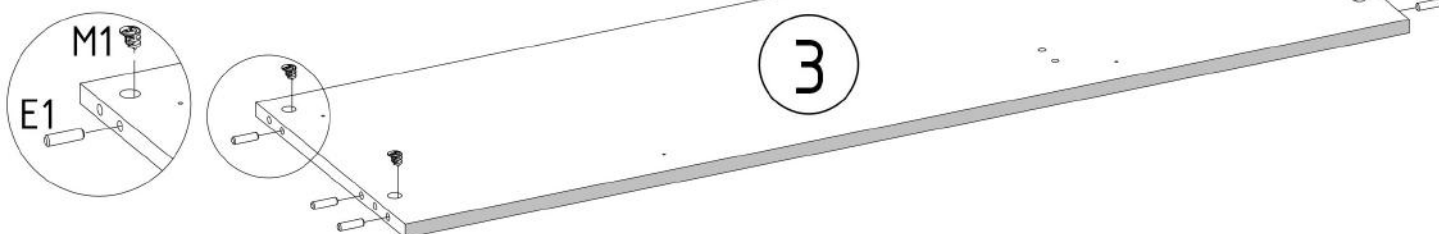
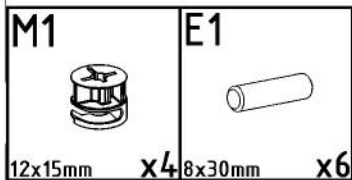
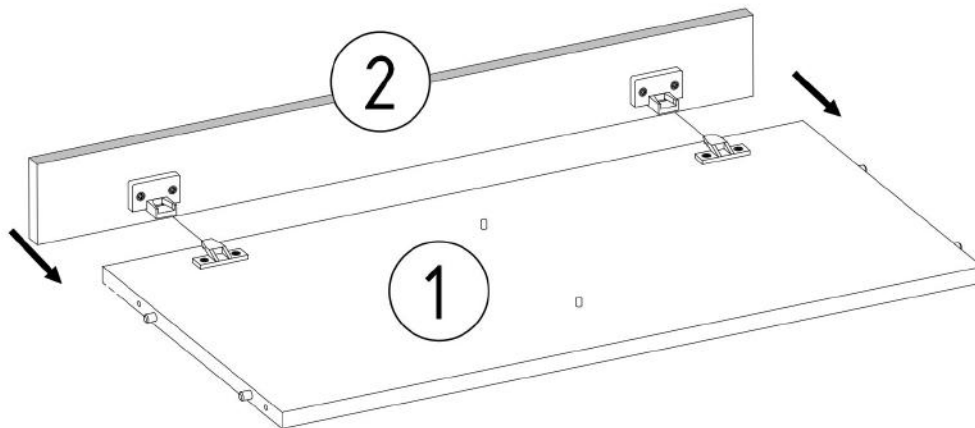
001804	16	1
001802	15	1
001794	14	4
001789	13	4
000053	12	8
001788	11	4
001795	10	2
001806	9	1
001803	8	2
001799	7	1
001807	6	1
001798	5	1
001792	4	5
001800	3	1
001805	2	1
001801	1	1
ID	NUMBER	QUANTITY



<p><b>N1</b></p>  <p>L=35mm x5</p>	<p><b>M1</b></p>  <p>12x15mm x2</p>	<p><b>E1</b></p>  <p>8x30mm x4</p>	<p><b>P3</b></p>  <p>L=350mm x4</p>	<p><b>R1</b></p>  <p>6x8mm x4</p>	<p><b>V16</b></p>  <p>5x16mm x8</p>	<p><b>R2</b></p>  <p>6x13mm x2</p>	<p><b>V39</b></p>  <p>x4</p>
---	---	--	---	---	--	--	--

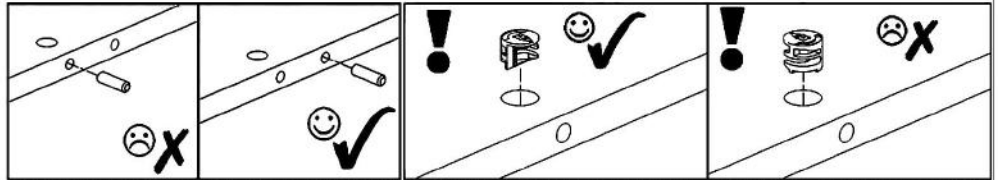
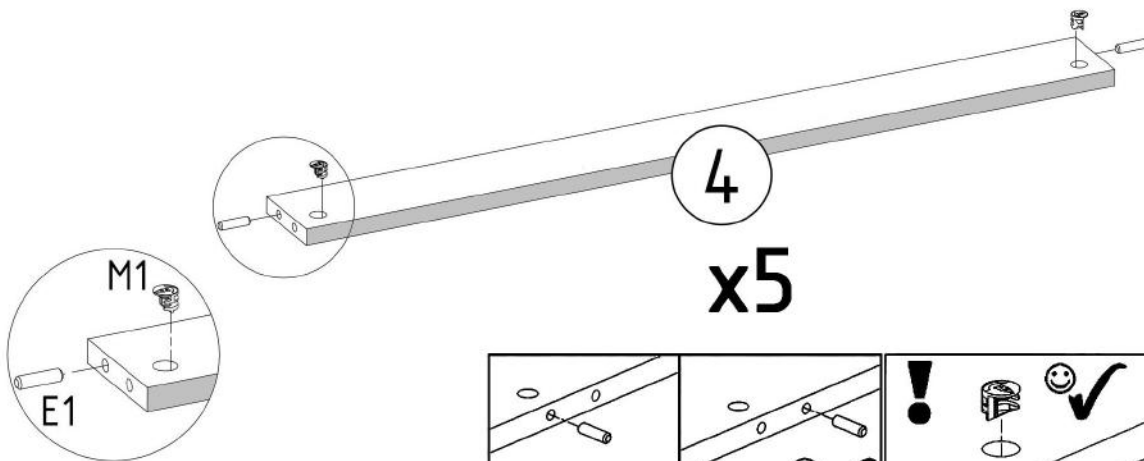
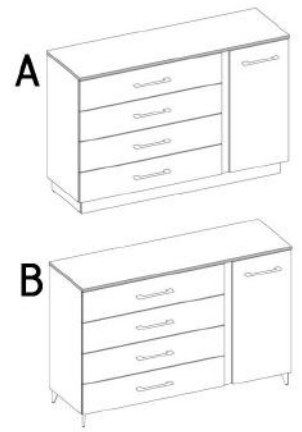




<p><b>R2</b></p>  <p>6x13mm x4</p>	<p><b>V39</b></p>  <p>x2</p>
--	---

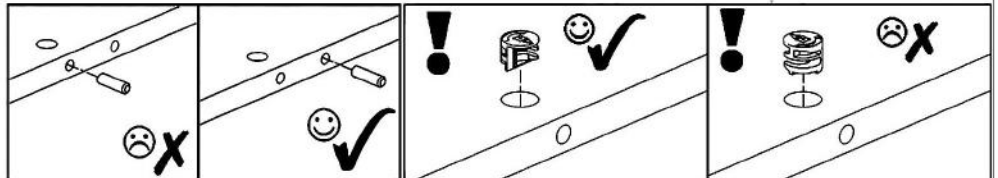
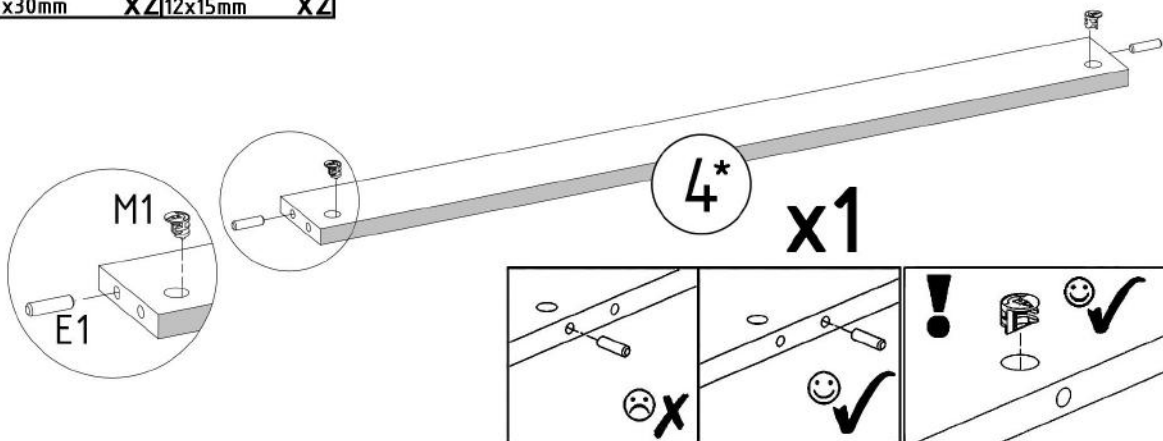
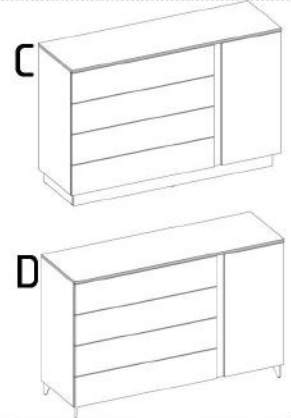




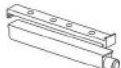



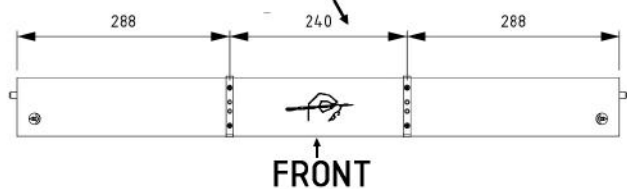
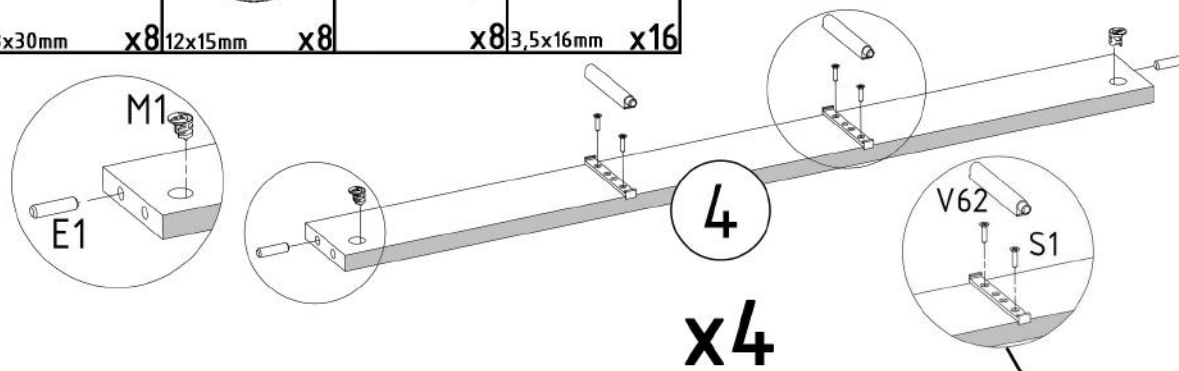
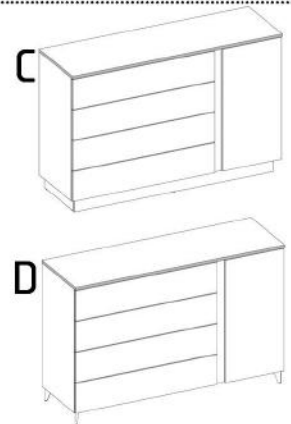
<b>E1</b> 	<b>M1</b> 
8x30mm x10	12x15mm x10








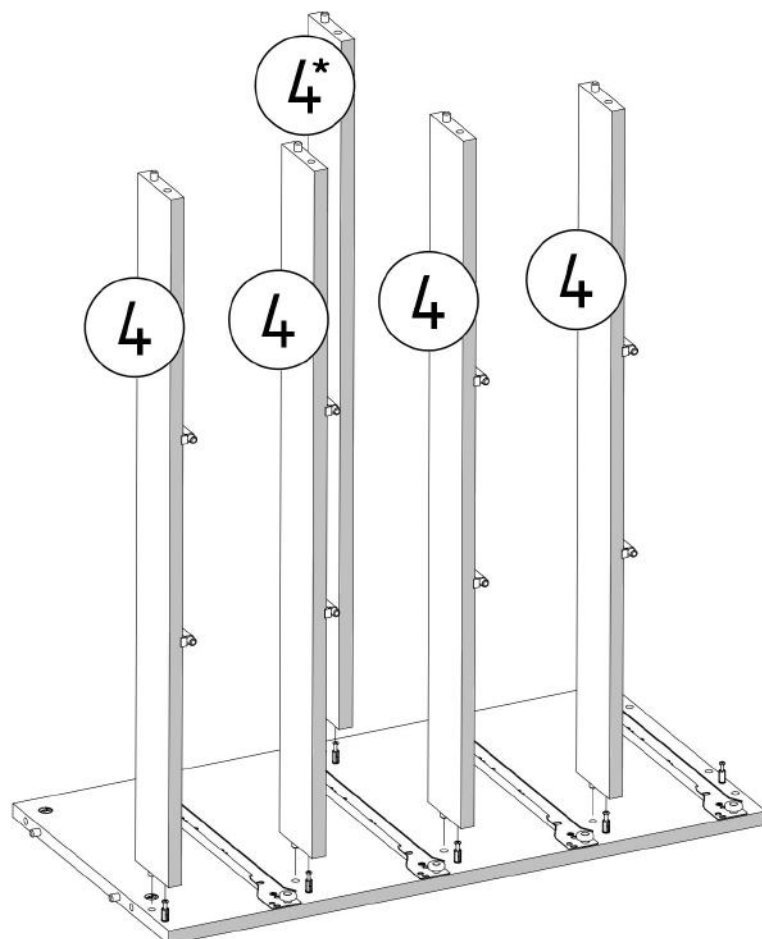
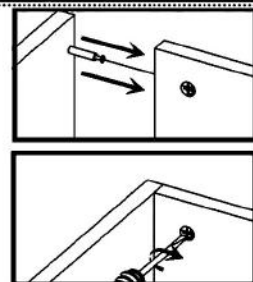
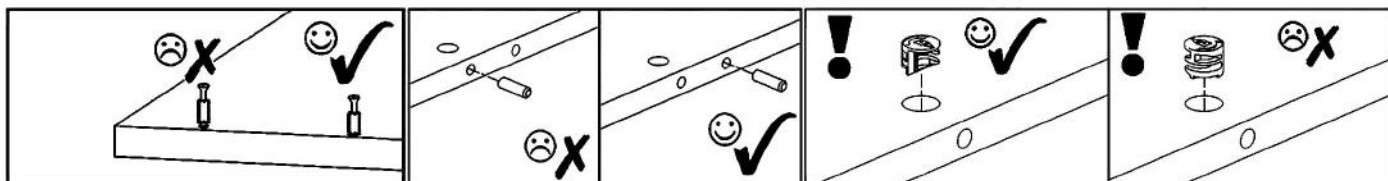
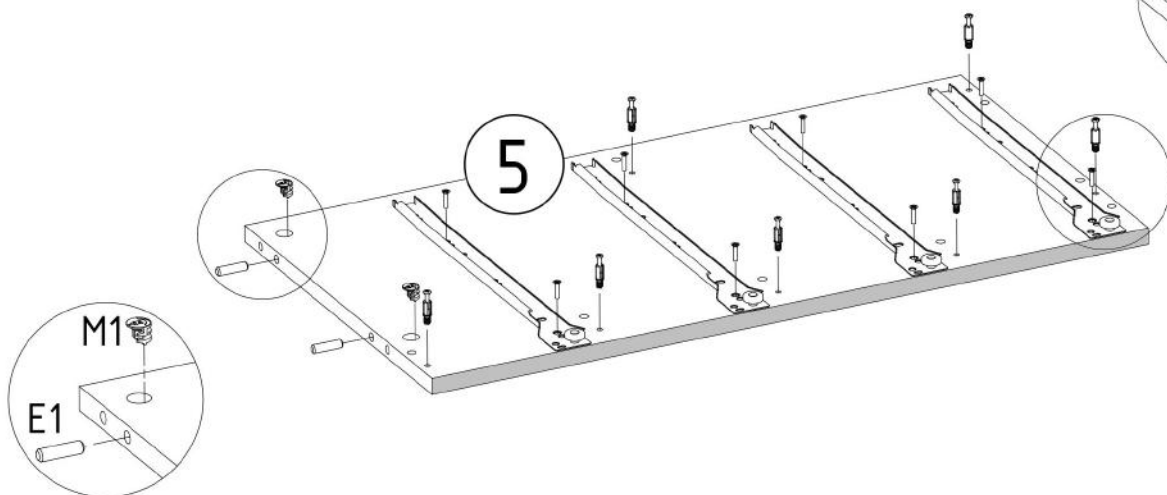
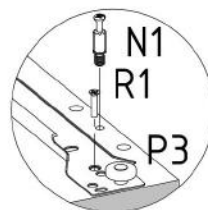
<b>E1</b> 	<b>M1</b> 
8x30mm x2	12x15mm x2








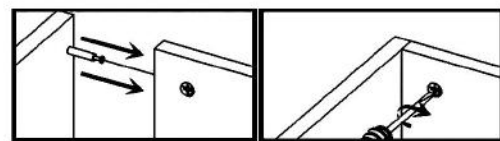
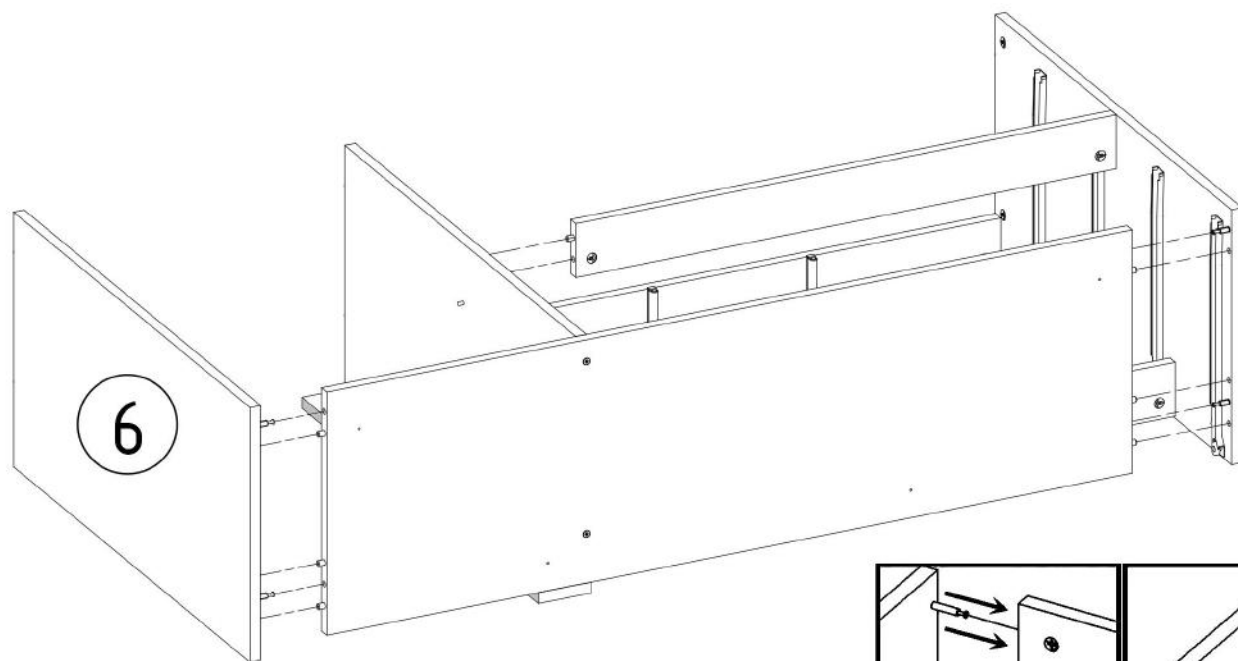
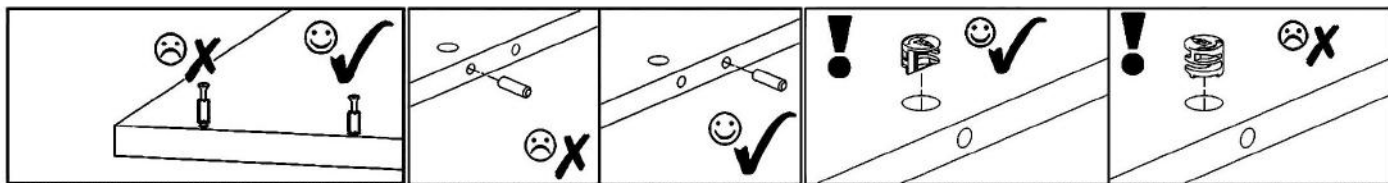
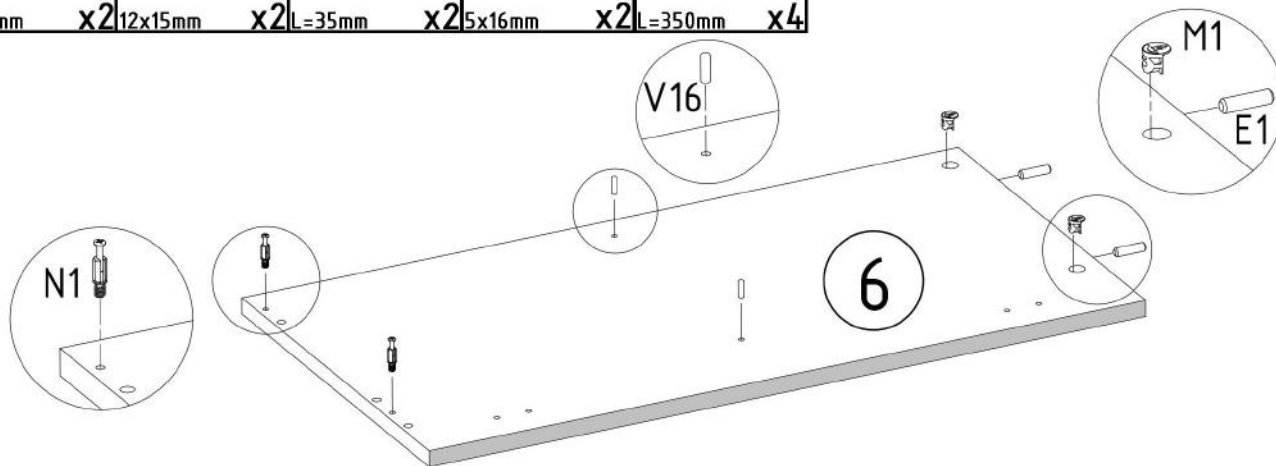
<b>E1</b> 	<b>M1</b> 	<b>V62</b> 	<b>S1</b> 
8x30mm x8	12x15mm x8	x8	3,5x16mm x16






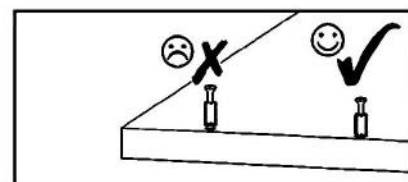
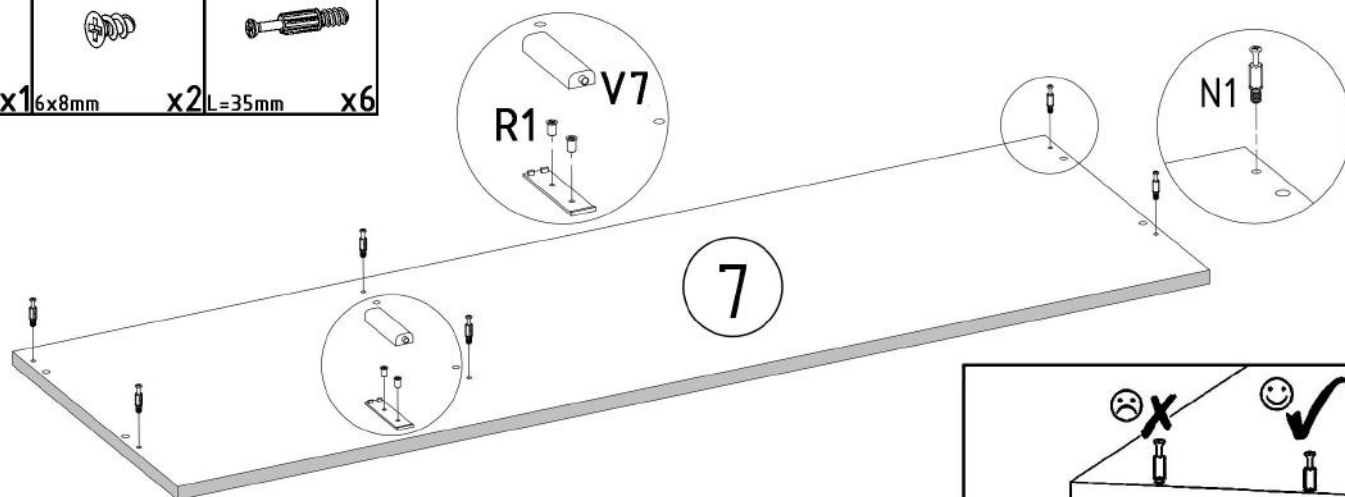
<b>E1</b>  8x30mm	<b>M1</b>  x2 12x15mm	<b>N1</b>  x2 L=35mm	<b>R1</b>  x7 6x8mm	<b>P3</b>  x8 L=350mm
---	--	---	--	--

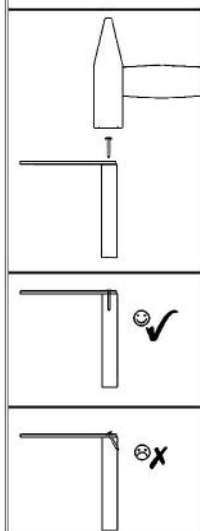
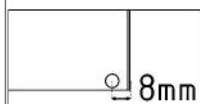
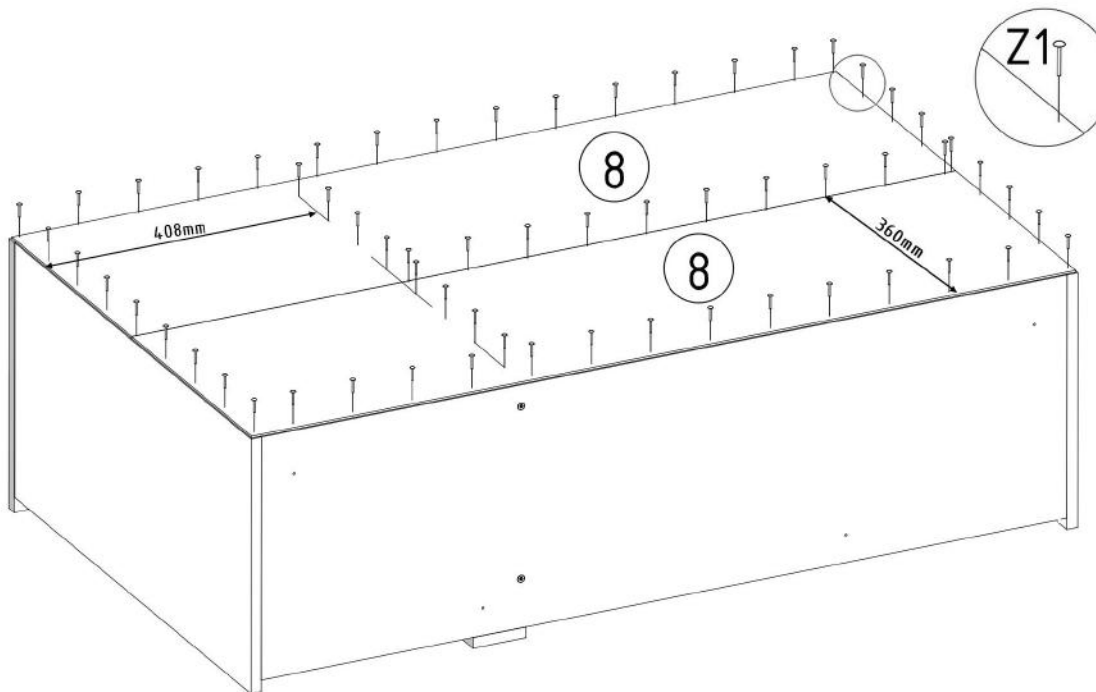
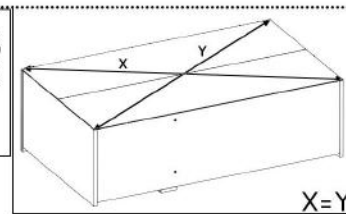
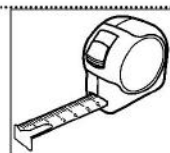
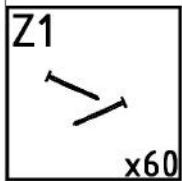
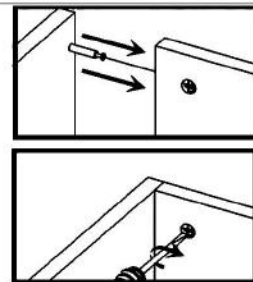
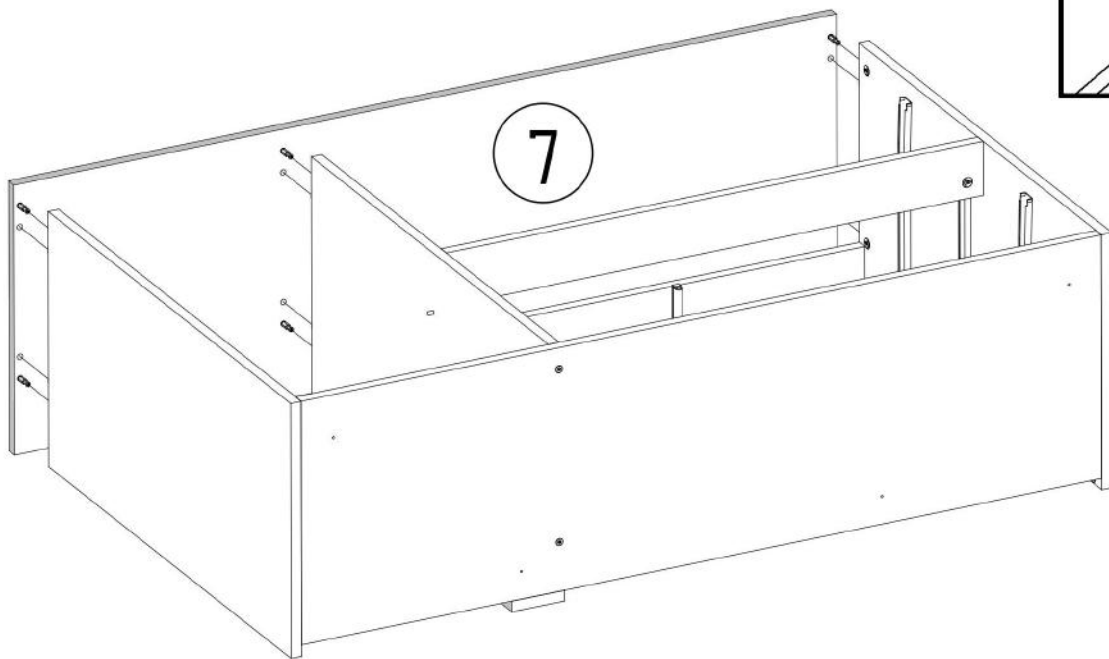


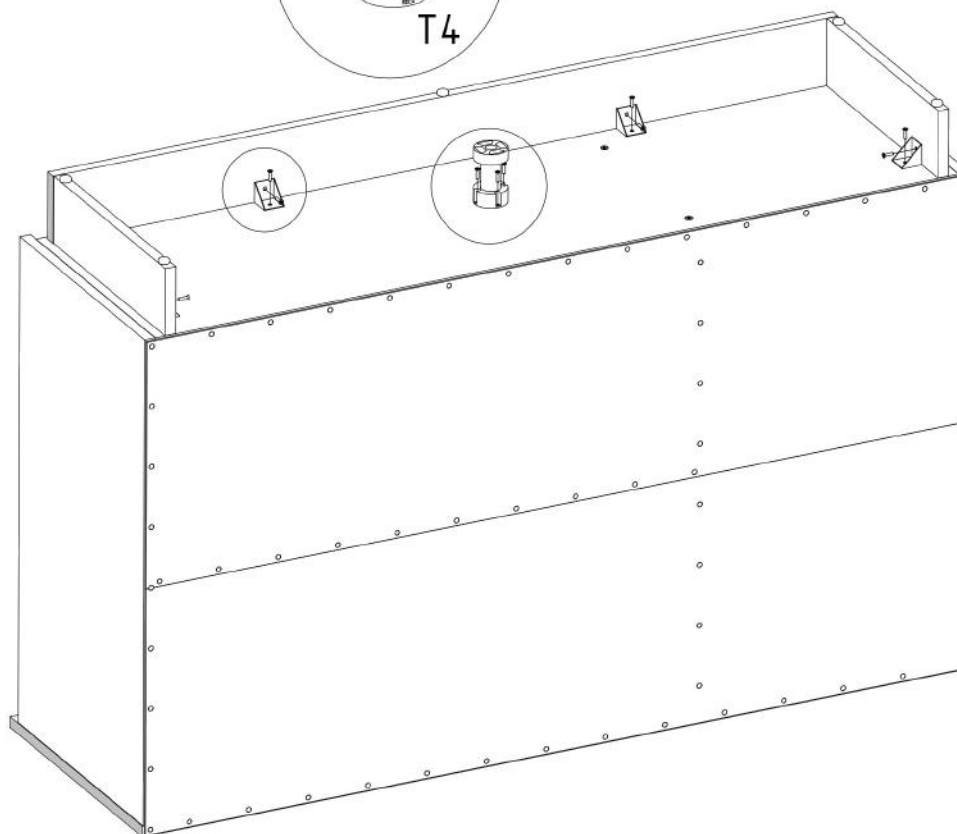
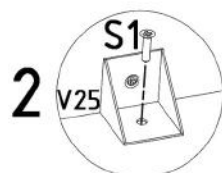
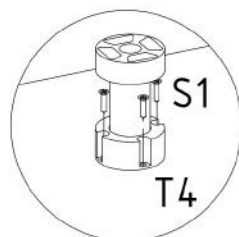
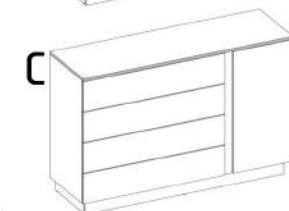
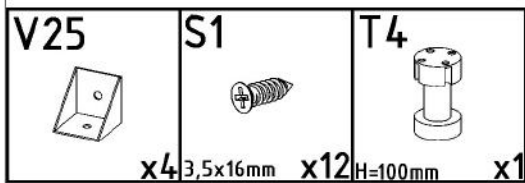
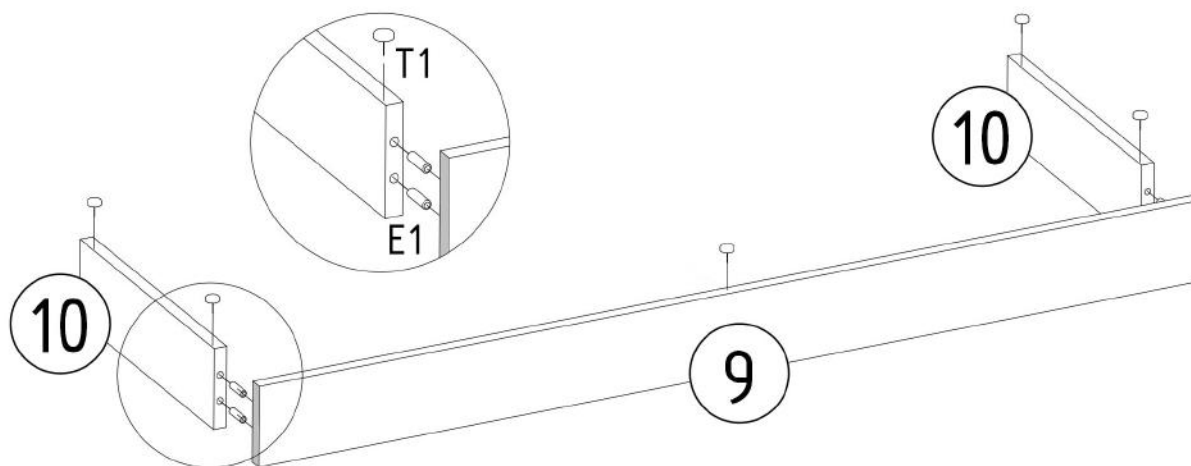
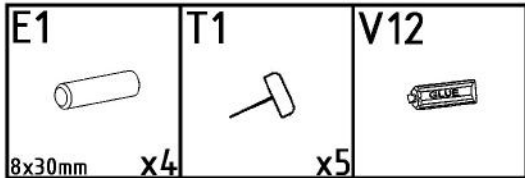
<b>E1</b>  8x30mm	<b>M1</b>  x2 12x15mm	<b>N1</b>  x2 L=35mm	<b>V16</b>  x2 5x16mm	<b>P3</b>  x2 L=350mm	<b>x4</b>
---	--	---	--	--	-----------

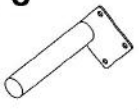





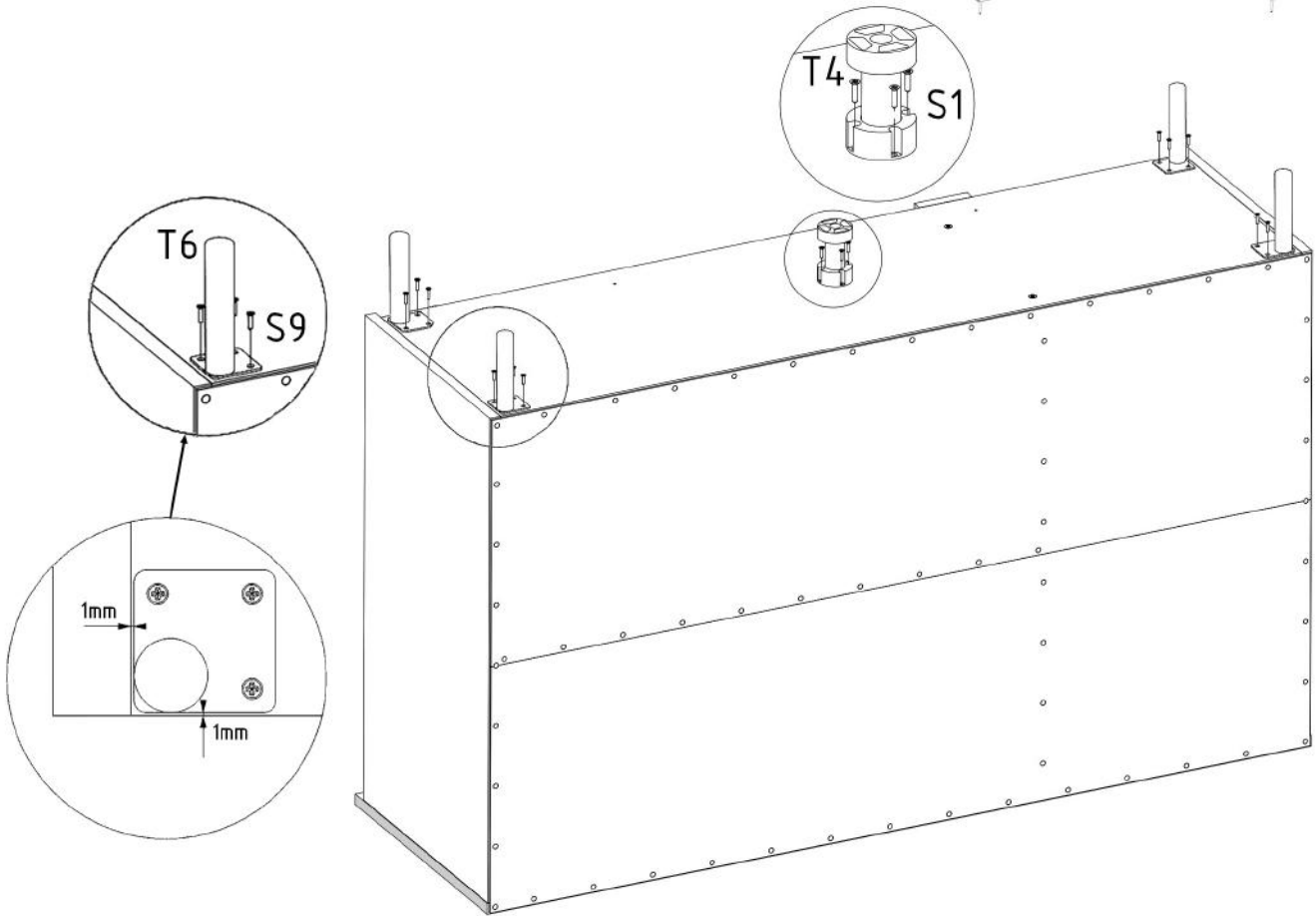
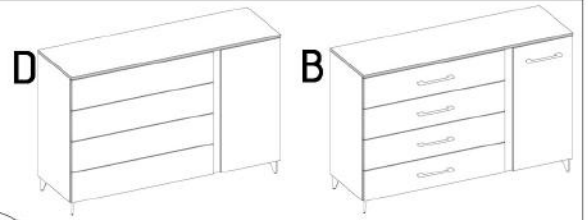
<b>V7</b>  x1 6x8mm	<b>R1</b>  x2	<b>N1</b>  L=35mm	<b>x6</b>
---	--	--	-----------







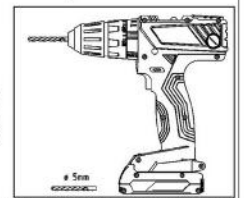
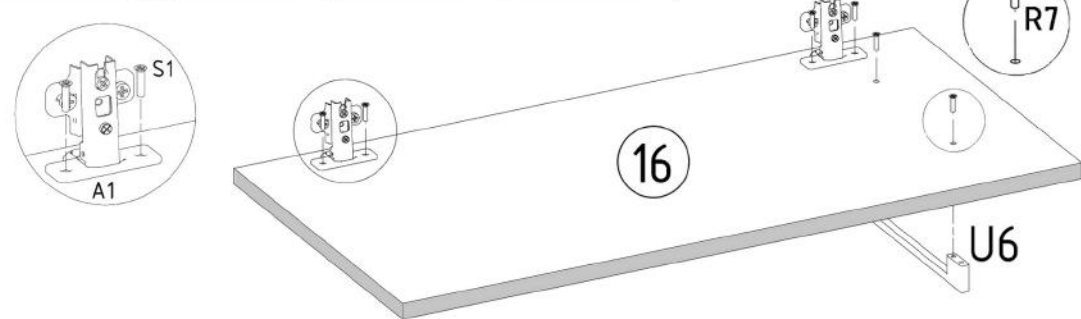






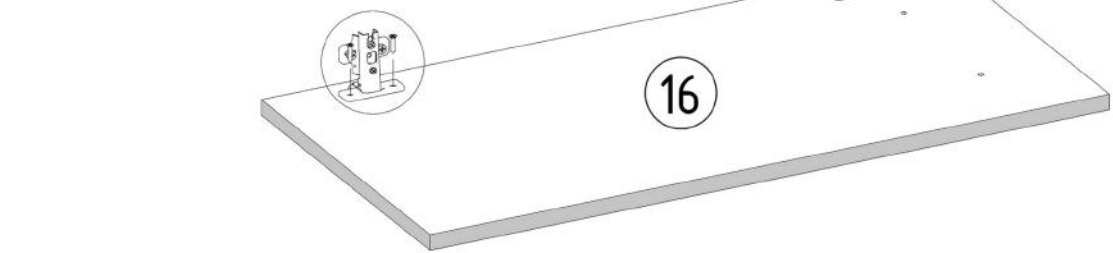
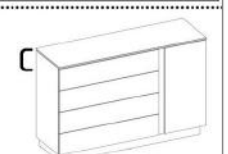
<b>T6</b>  H=100mm	<b>S9</b>  4x16mm	<b>T4</b>  H=100mm	<b>S1</b>  3,5x16mm
<b>x4</b>	<b>x12</b>	<b>x1</b>	<b>x4</b>



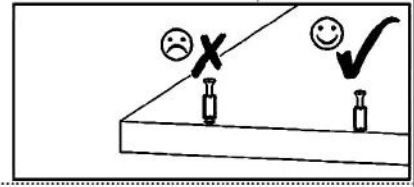
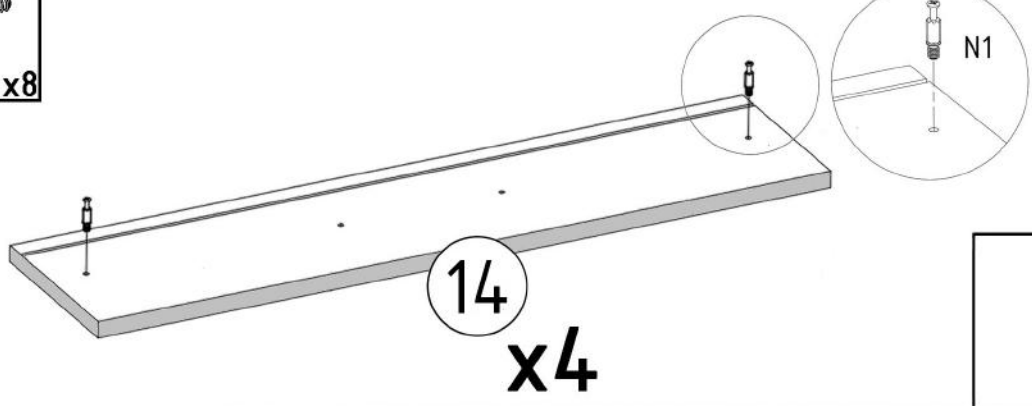
<b>A1</b>  ZP	<b>S1</b>  3,5x16mm	<b>U6</b>  L=208/160	<b>R7</b>  4x27mm
<b>x2</b>	<b>x4</b>	<b>x1</b>	<b>x2</b>



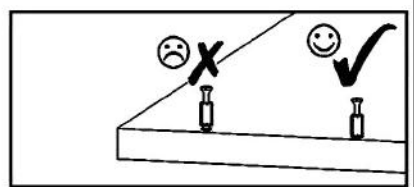
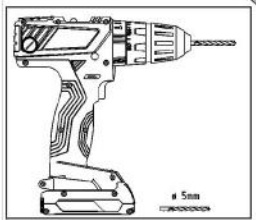
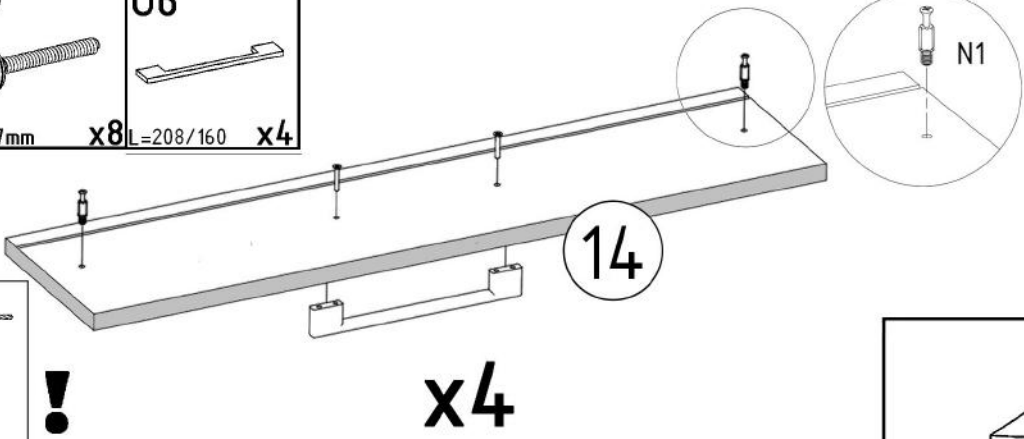
<b>A1</b>  ZP	<b>S1</b>  3,5x16mm
<b>x2</b>	<b>x4</b>



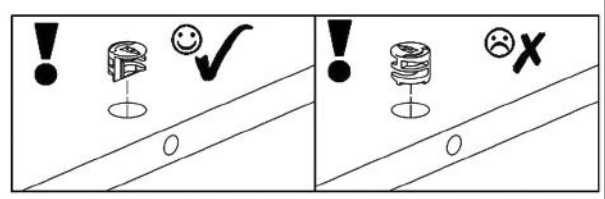
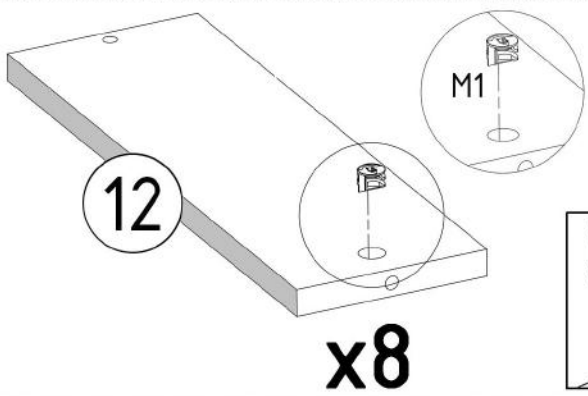
**N1**  
  
 L=35mm x8



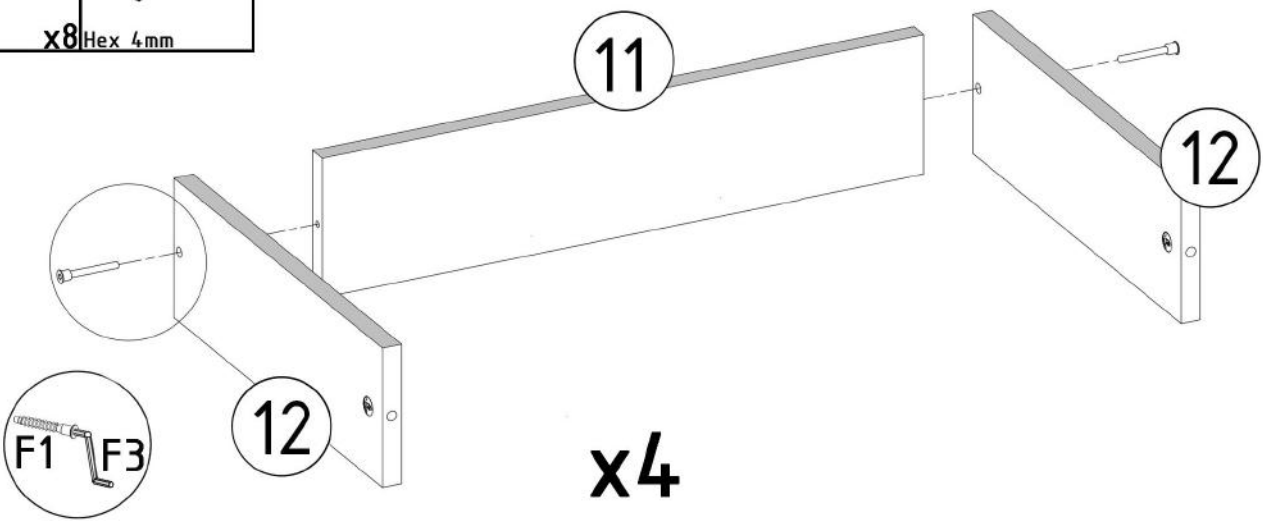
**N1** L=35mm x8  
**R7** 4x27mm x8  
**U6** L=208/160 x4




**M1**  
  
 12x15mm x8



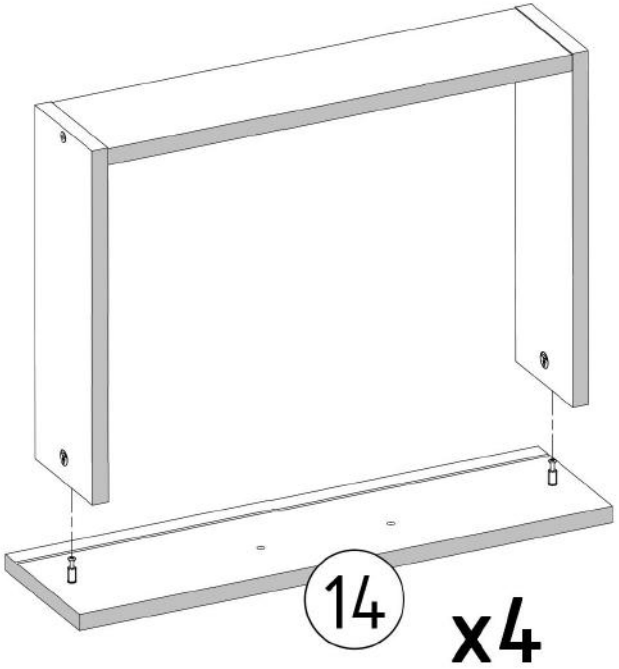
**F1** 7x50mm x8  
**F3** Hex 4mm



**B1**



ø17/4mm **x8**




**1.**

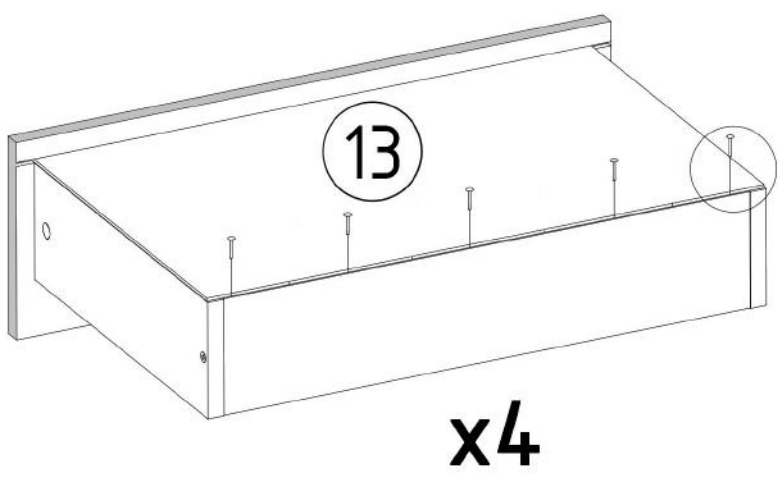
**2.**

**M1** **B1**

**Z1**



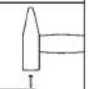
**x20**



**X=Y**



**Z1**

ø8mm

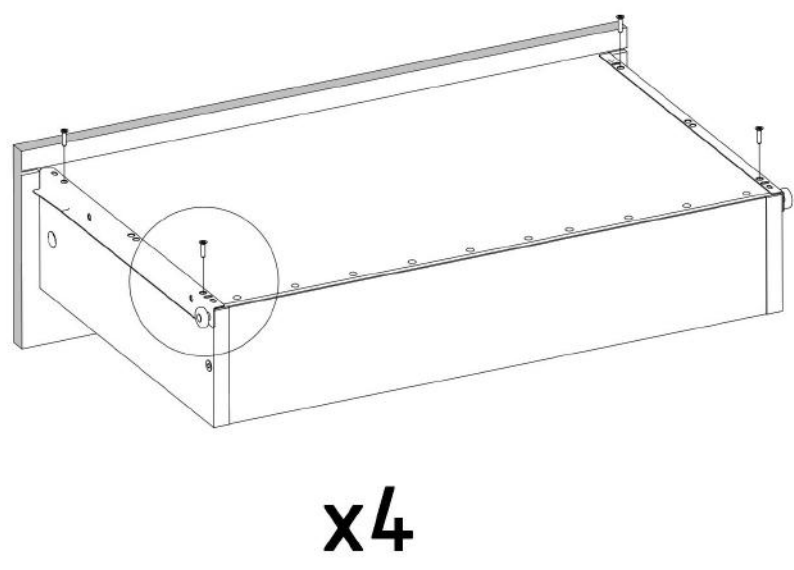



ex

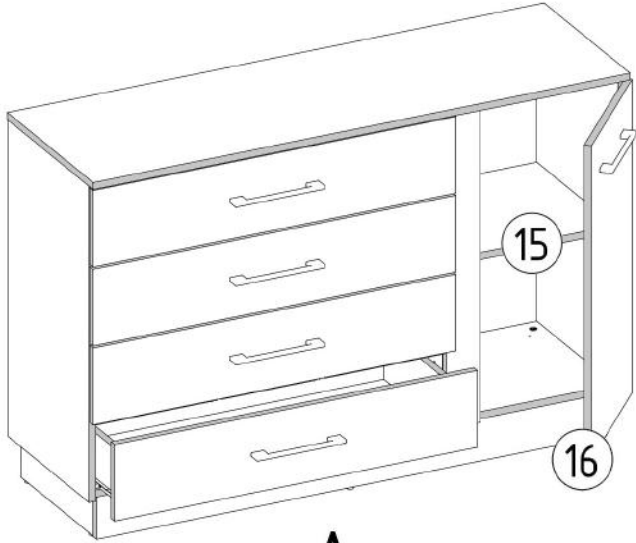
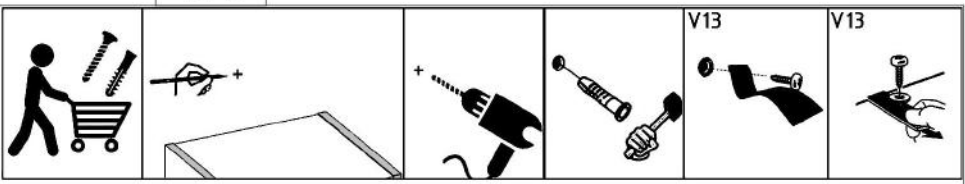
**S1** **P3**

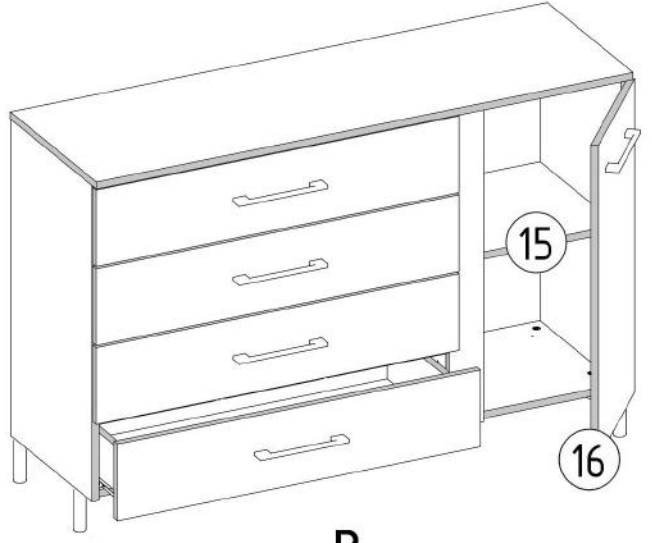
3,5x16mm **x16** L=350mm **x4**



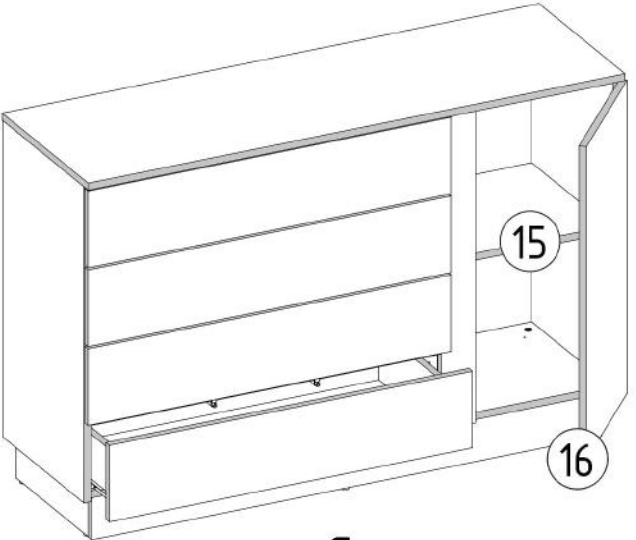
**S1** **P3**



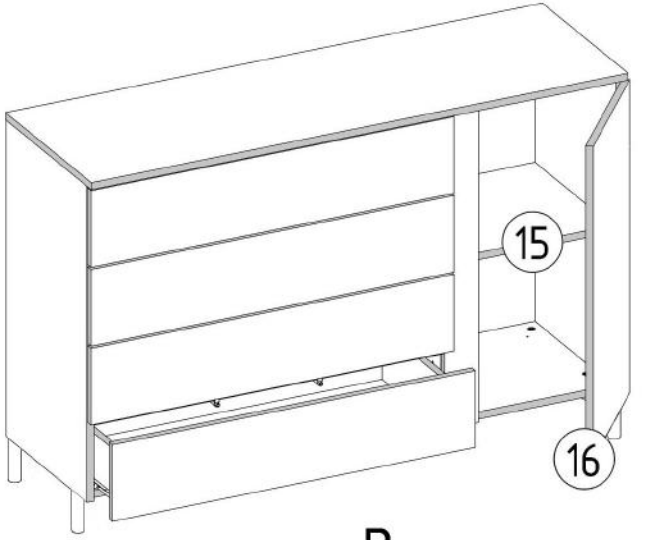
A



B



C



D

