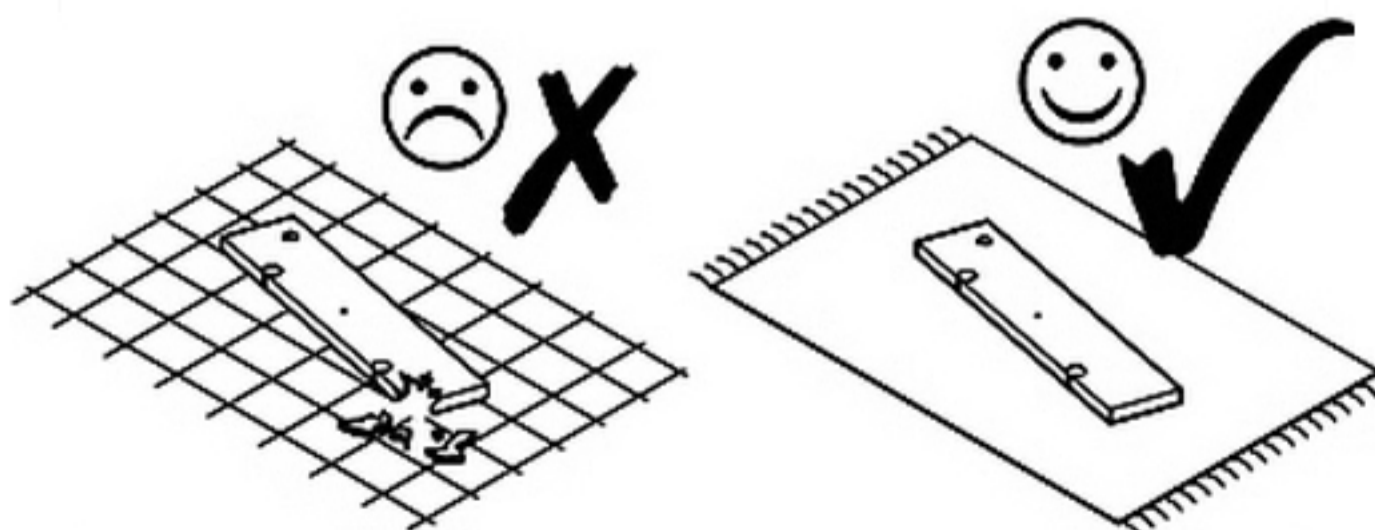
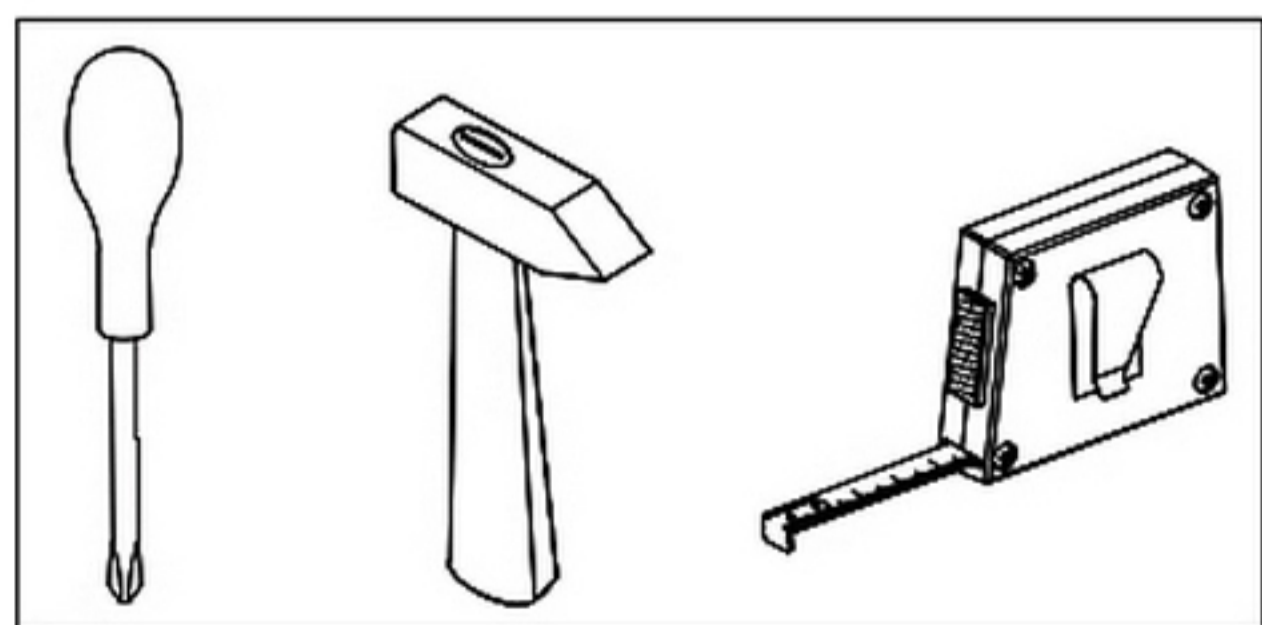
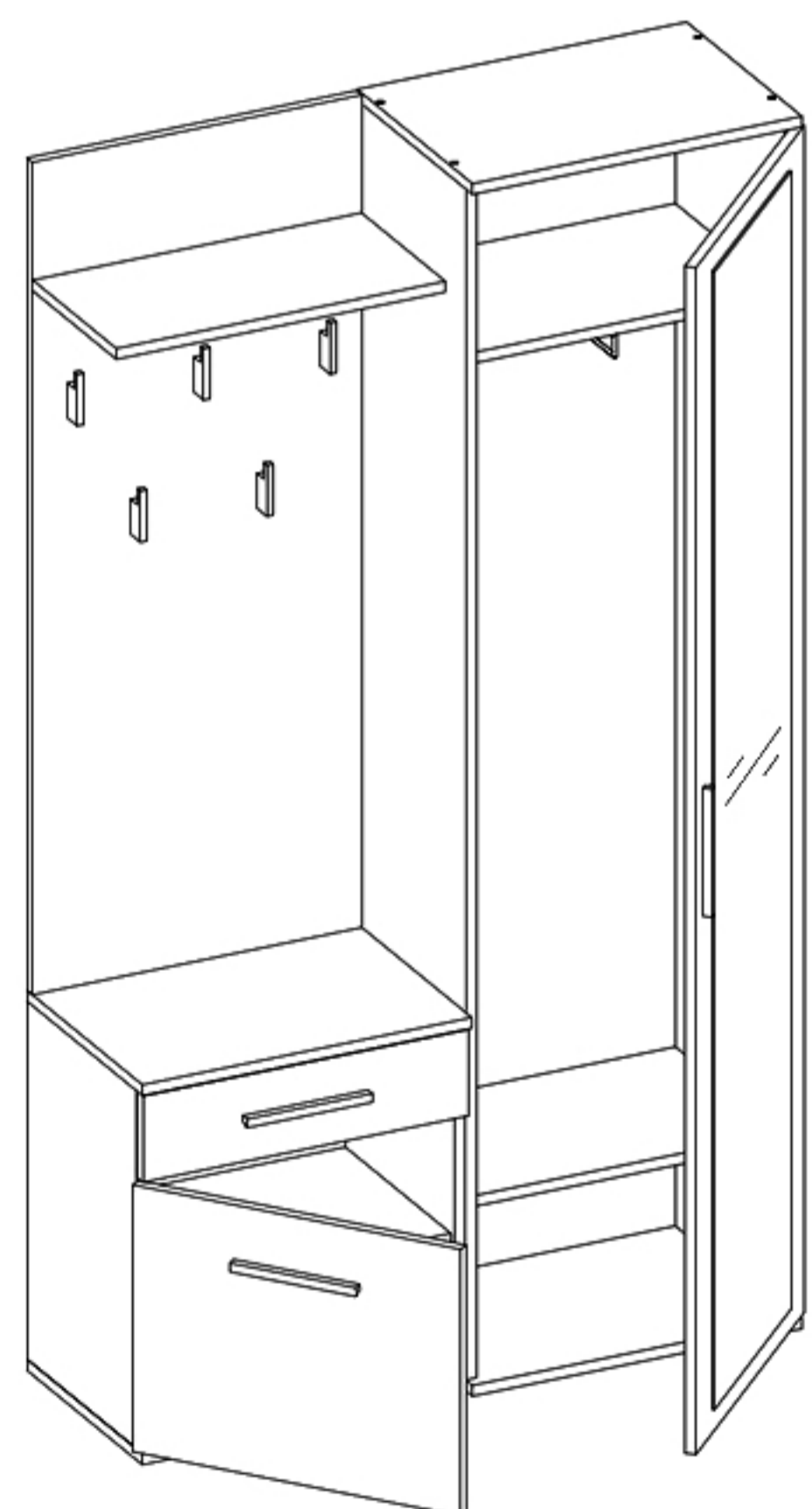
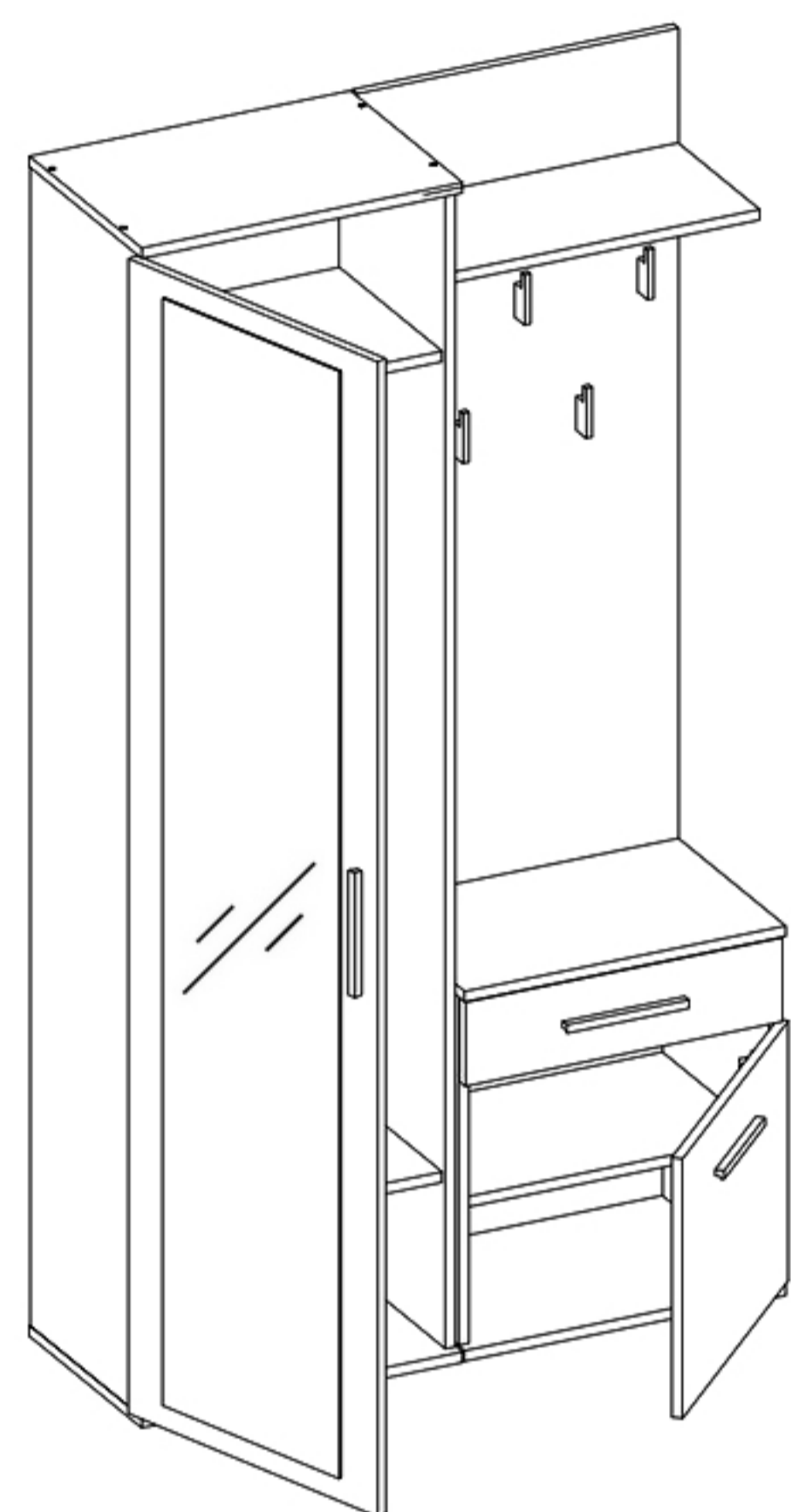
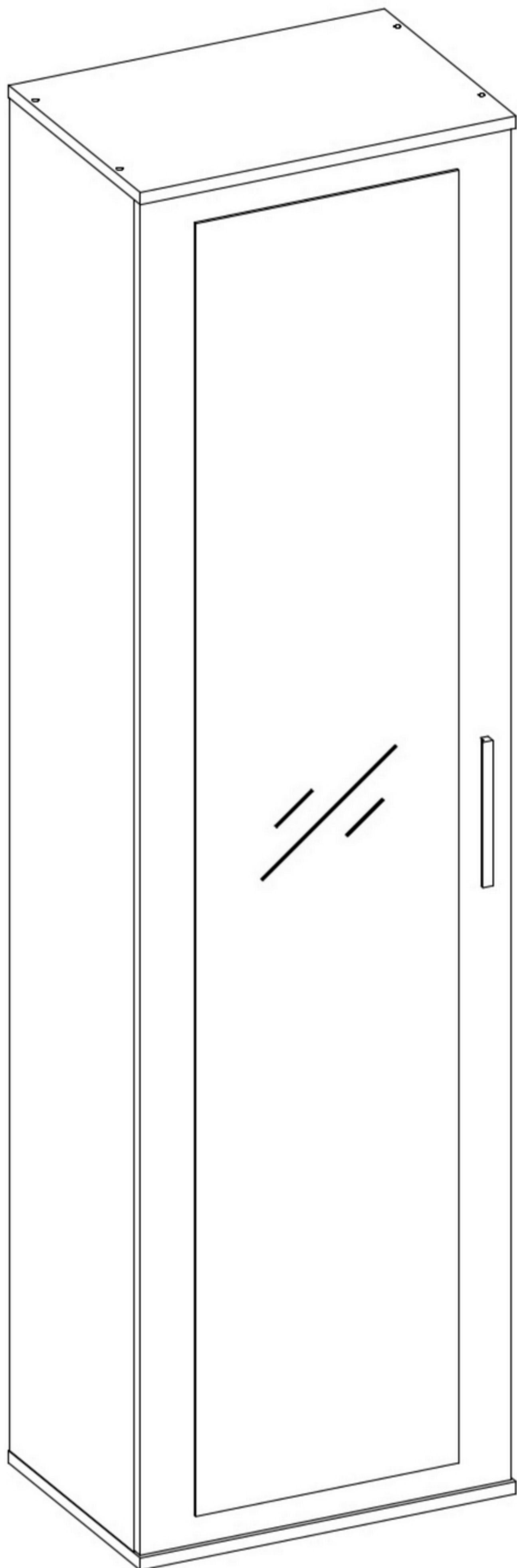
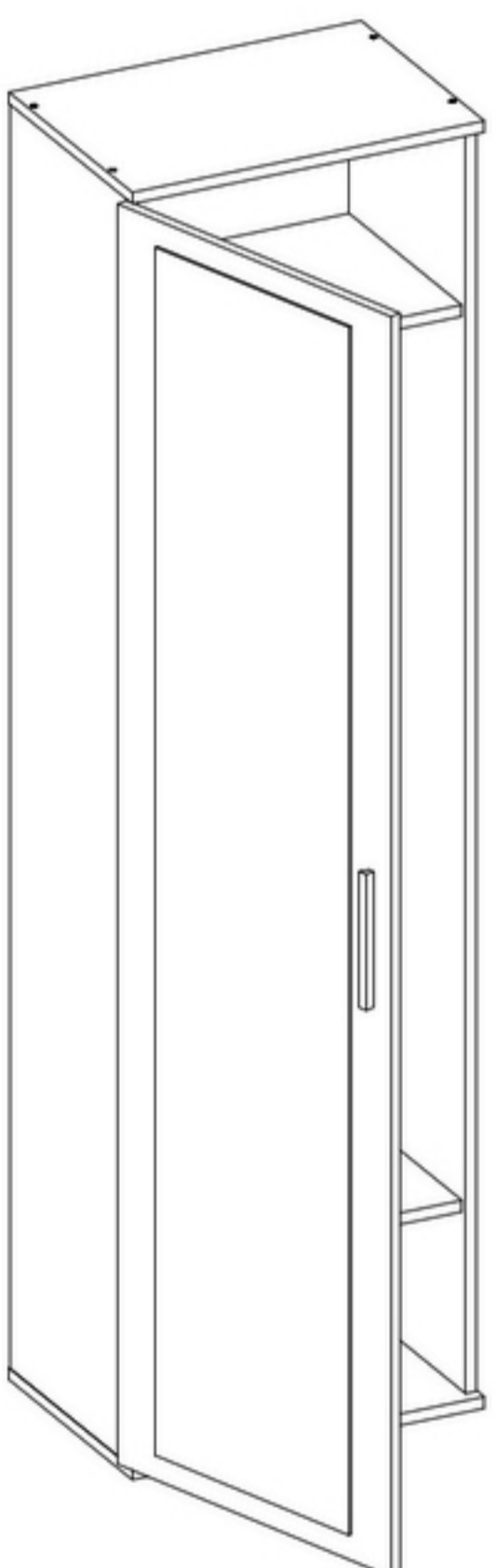
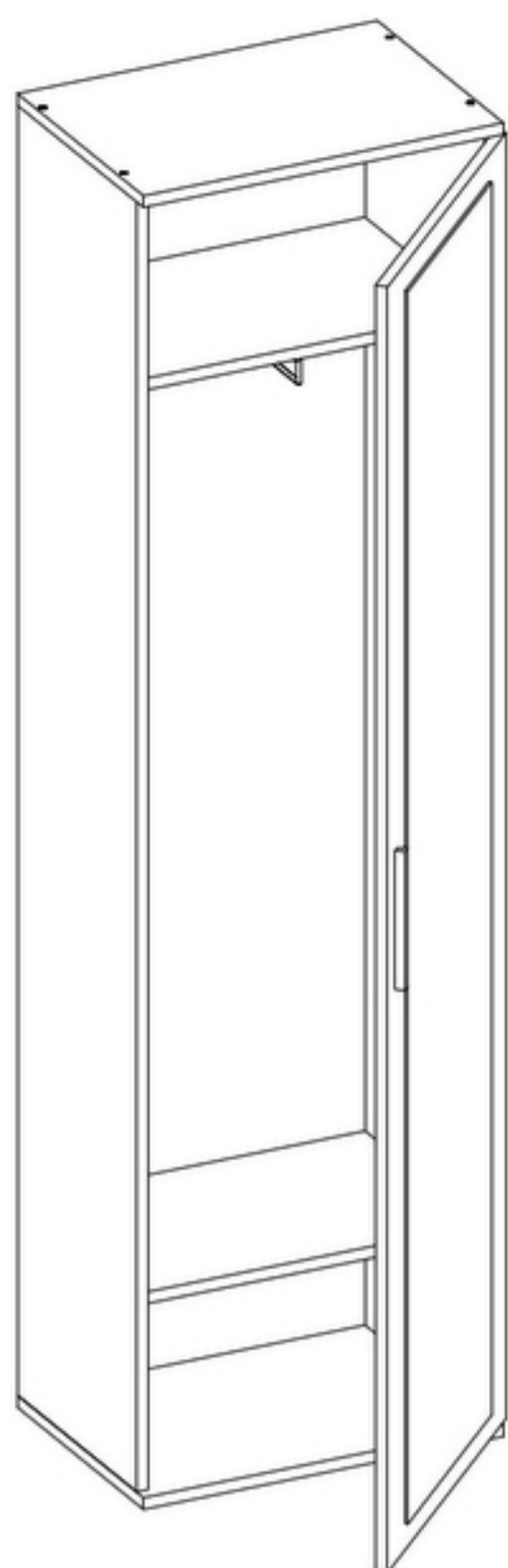
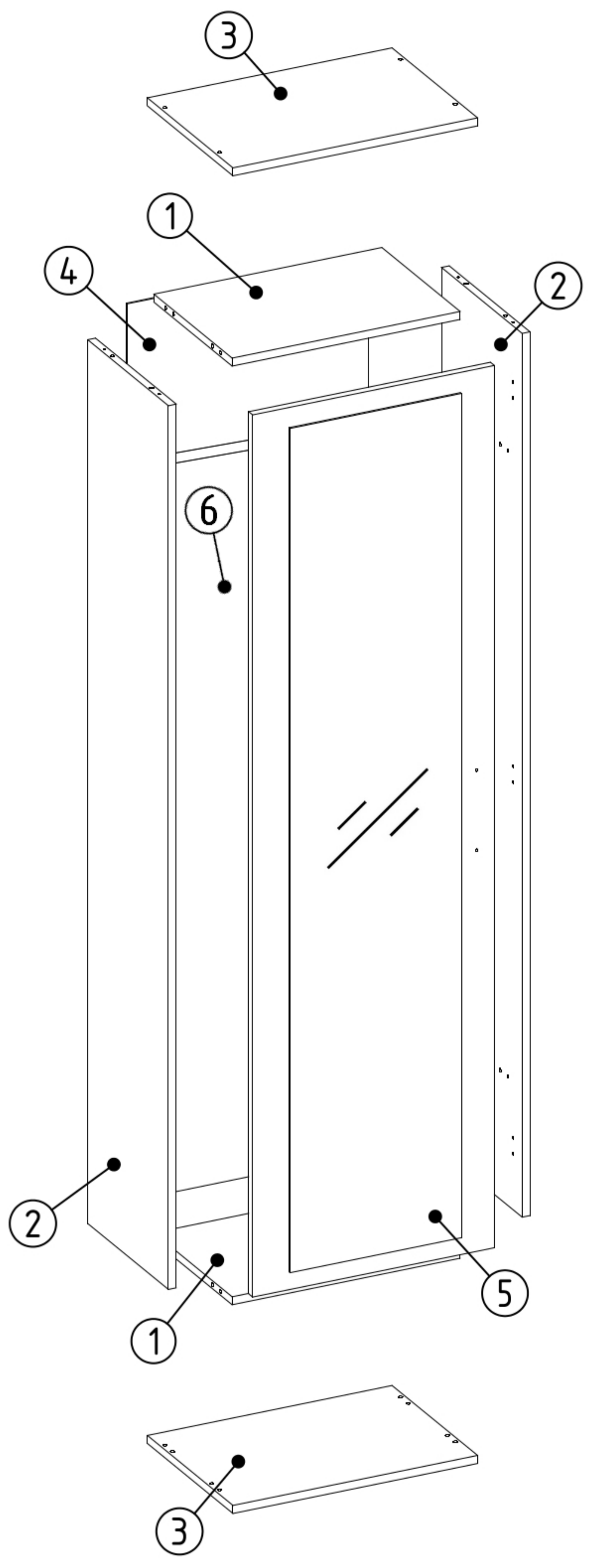


17/11/2021

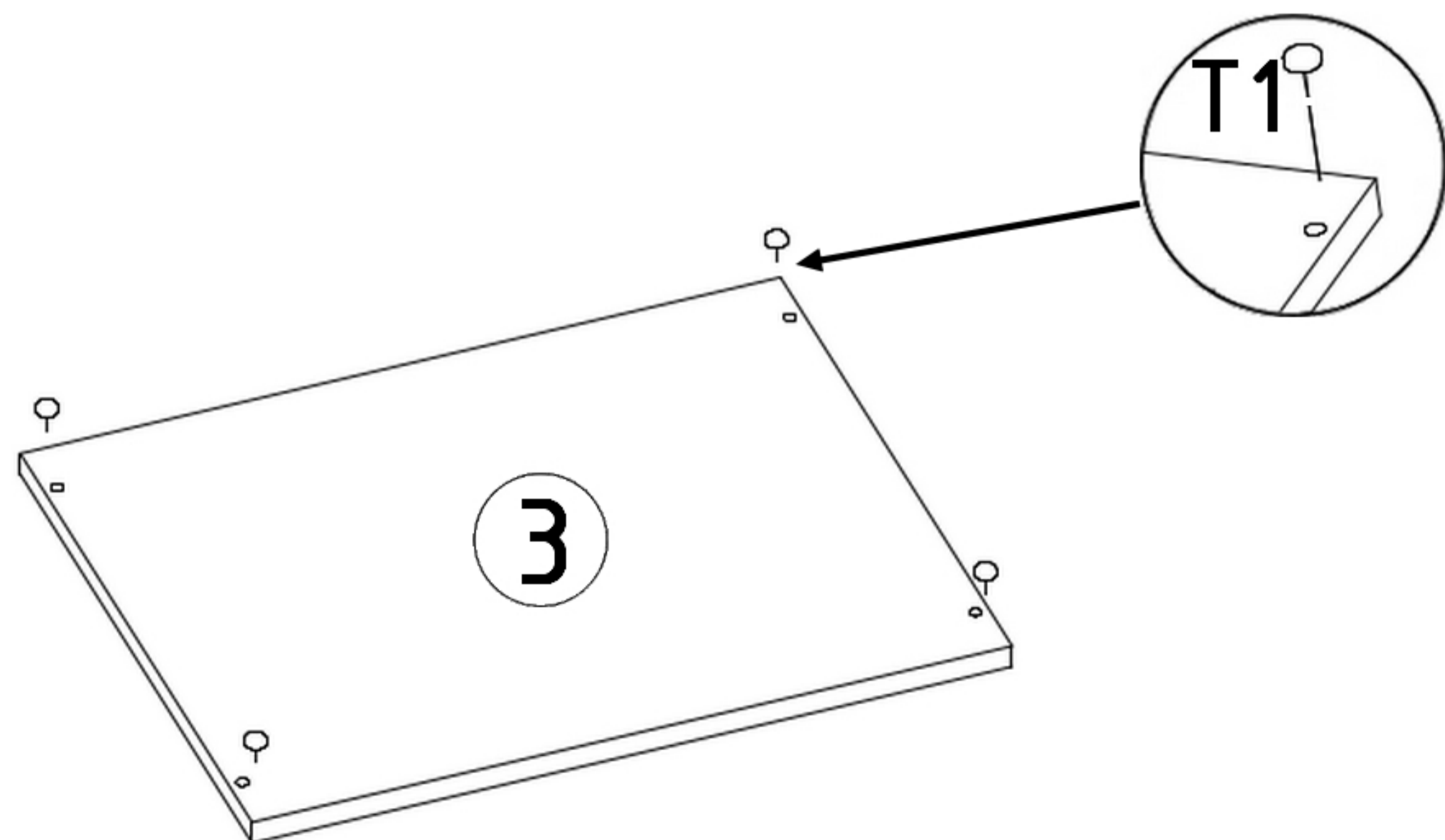
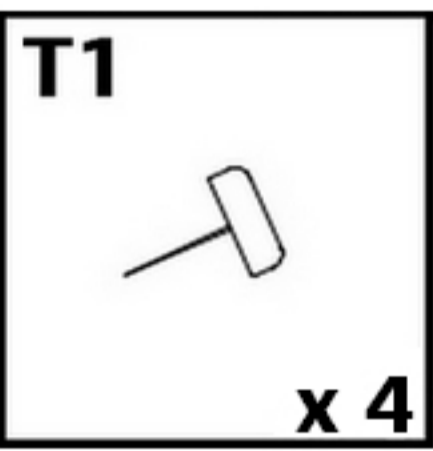
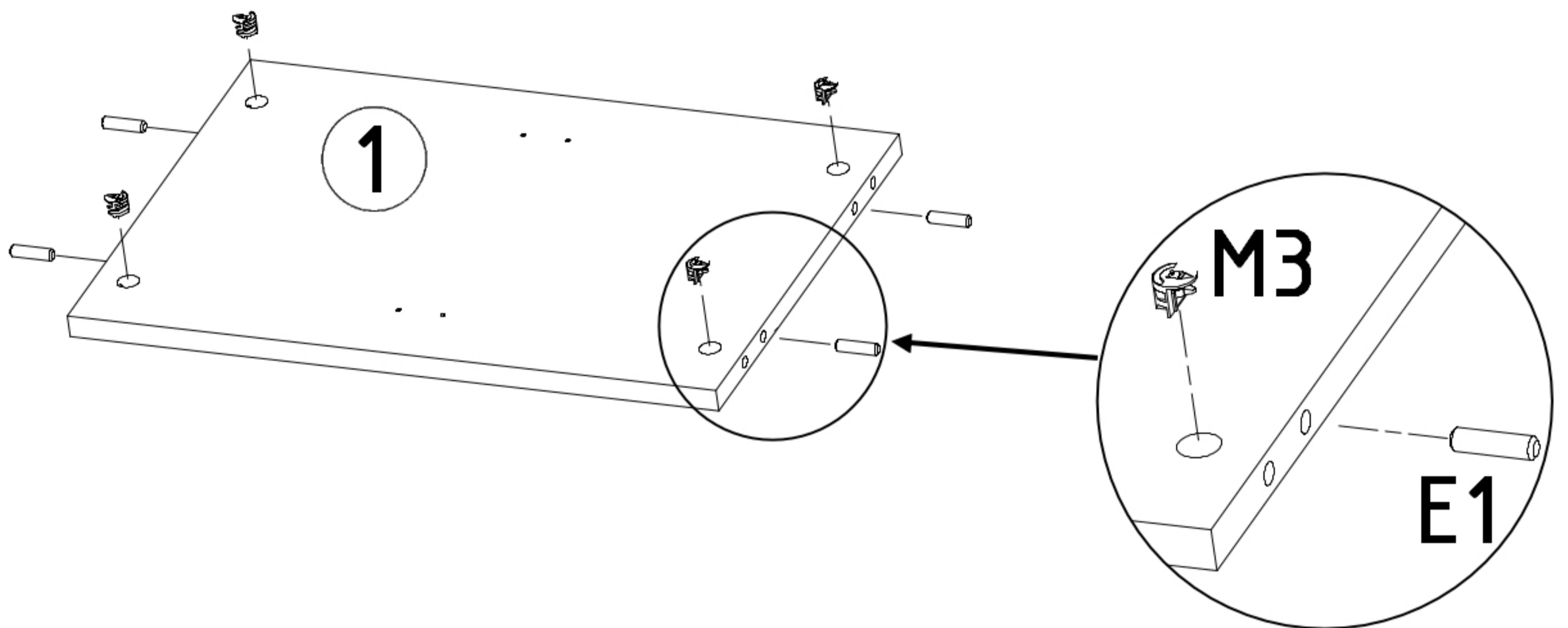
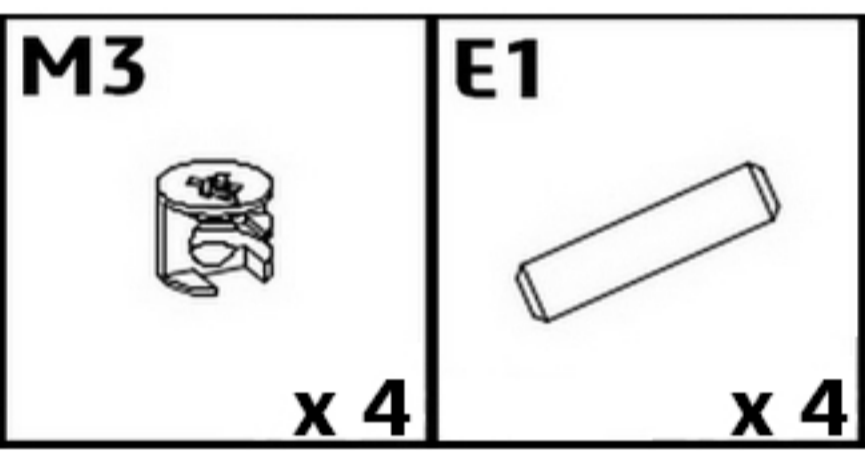
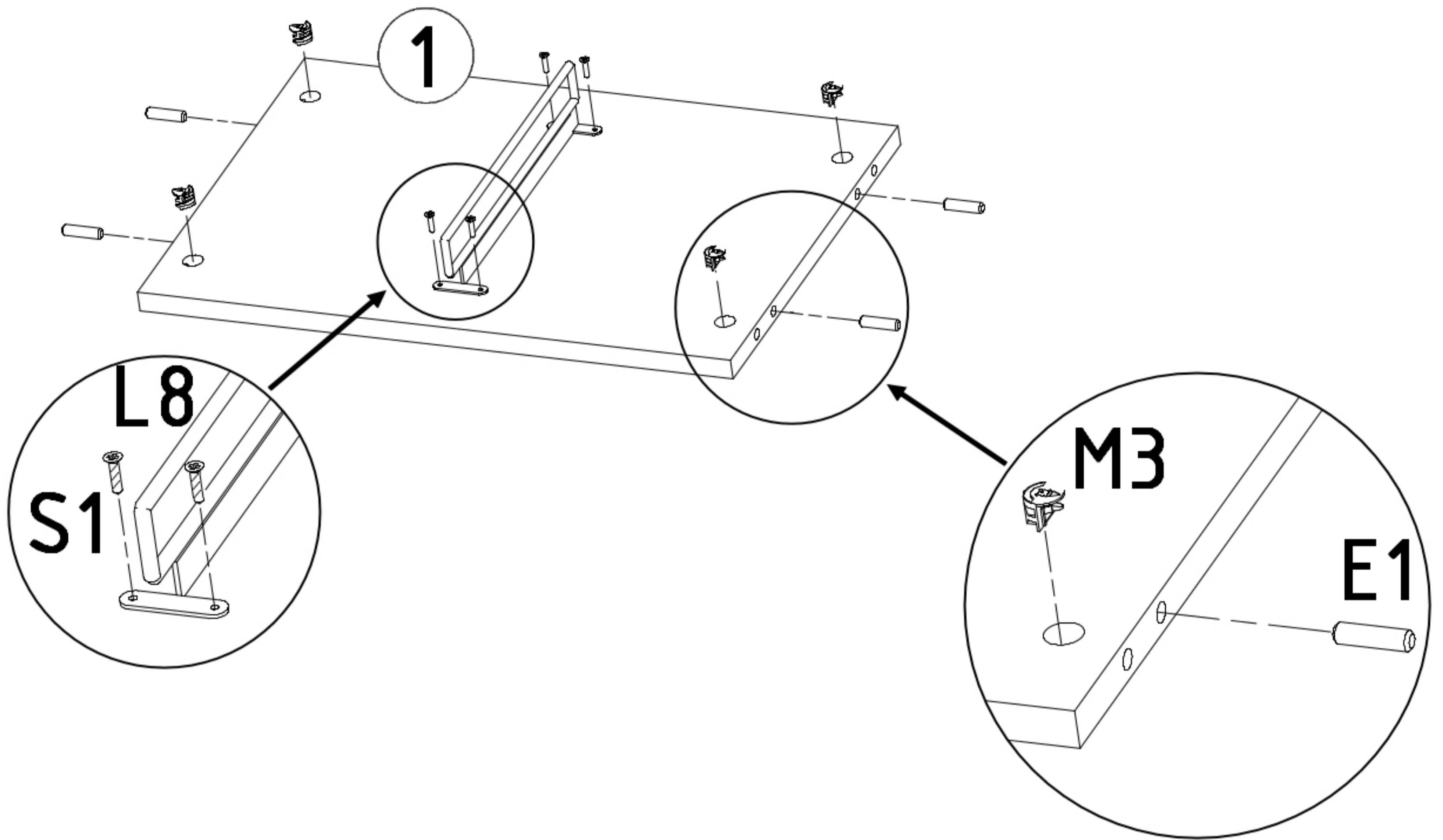
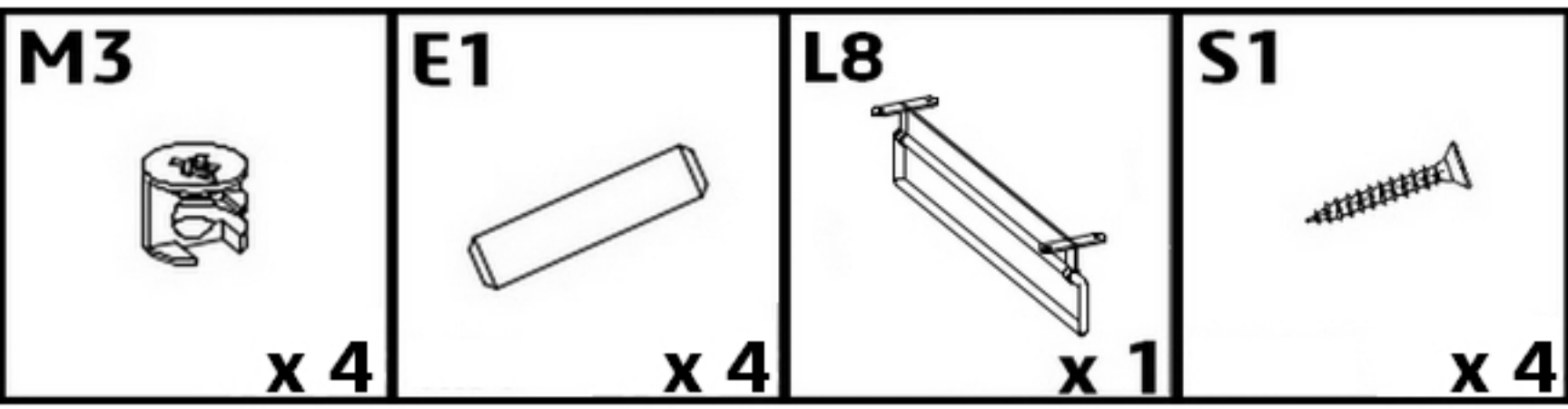
DUO C1

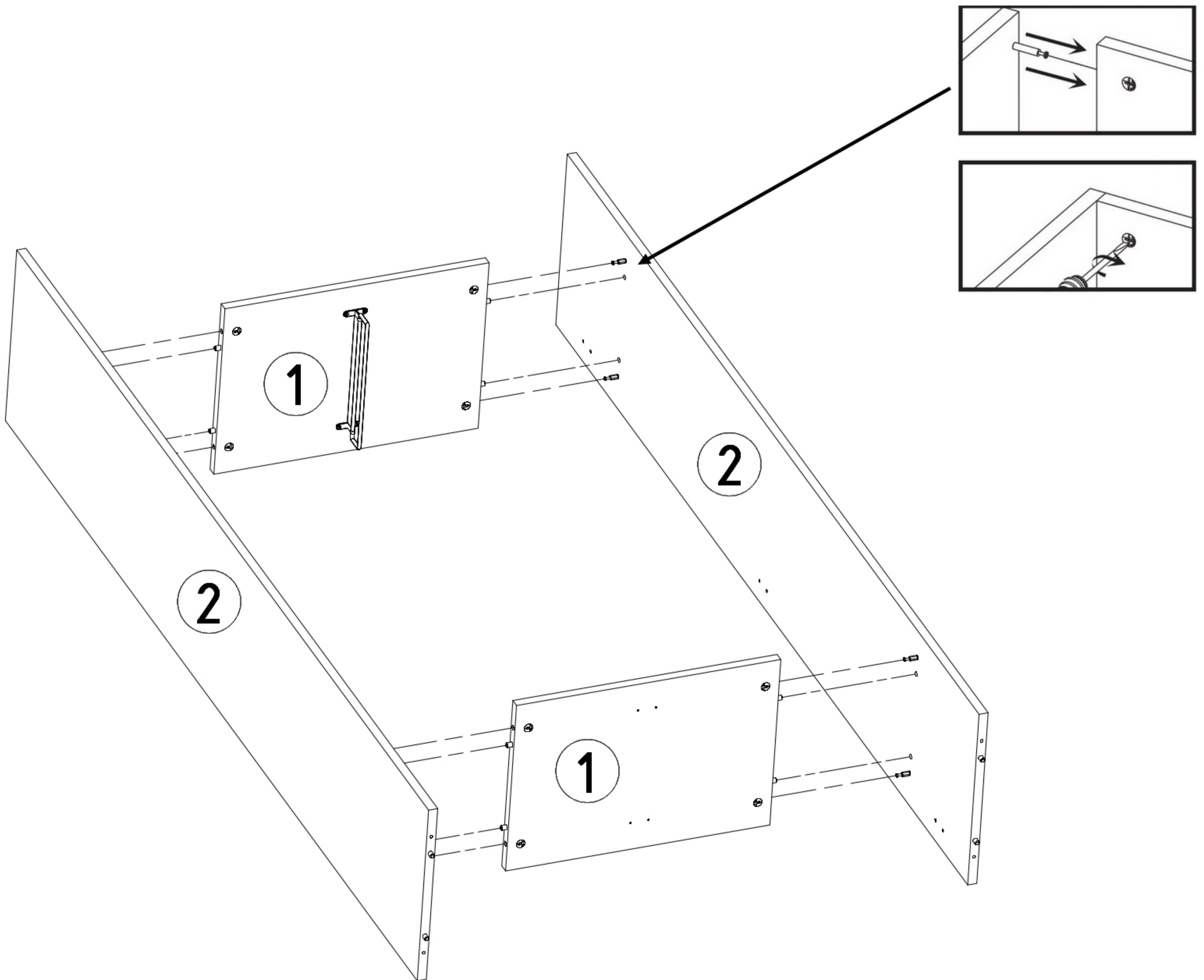
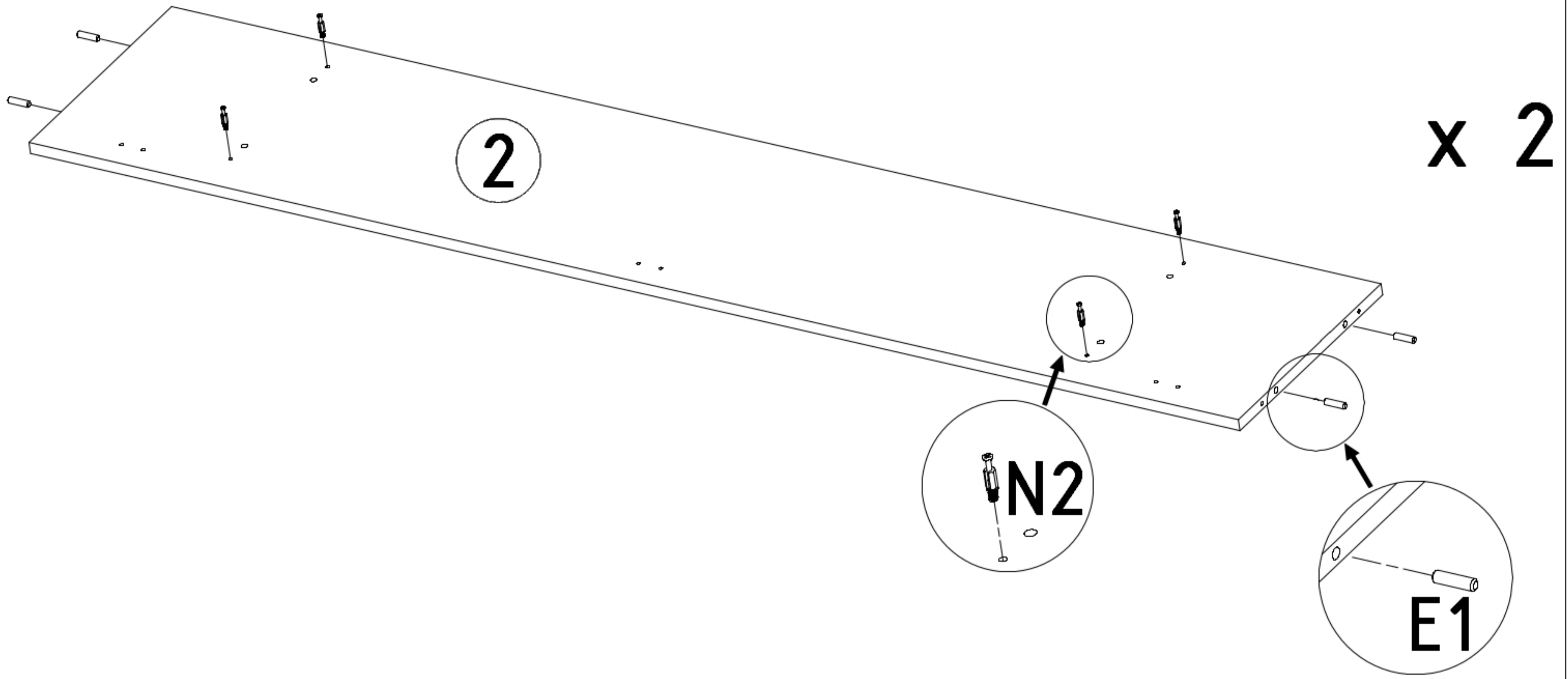
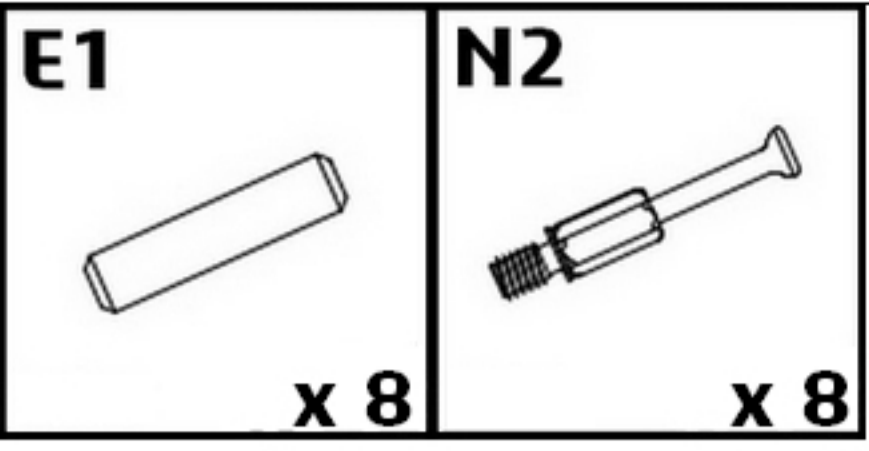


N2 L=35mm x 8	M3 12x15mm x 8	S3 4x27mm x 2	S1 3,5x16mm x 10	K1 x 1	L8 x 1	Z4 x 4
T1 x 4	Z2 x 60	A0 ZP x 3	E1 8x30mm x 16	U6 L=190mm x 1	F2 7x50mm x 8	 x 1

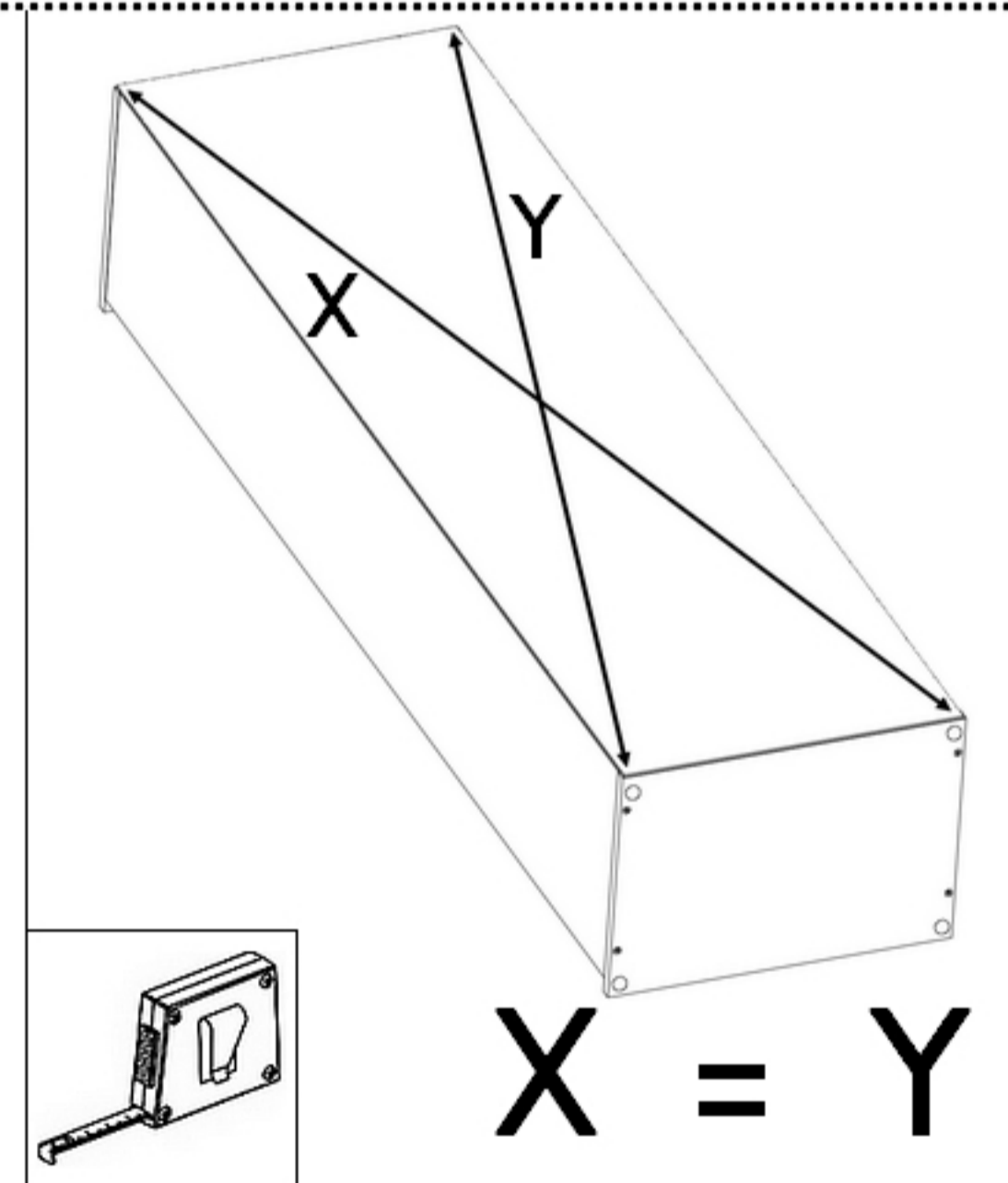
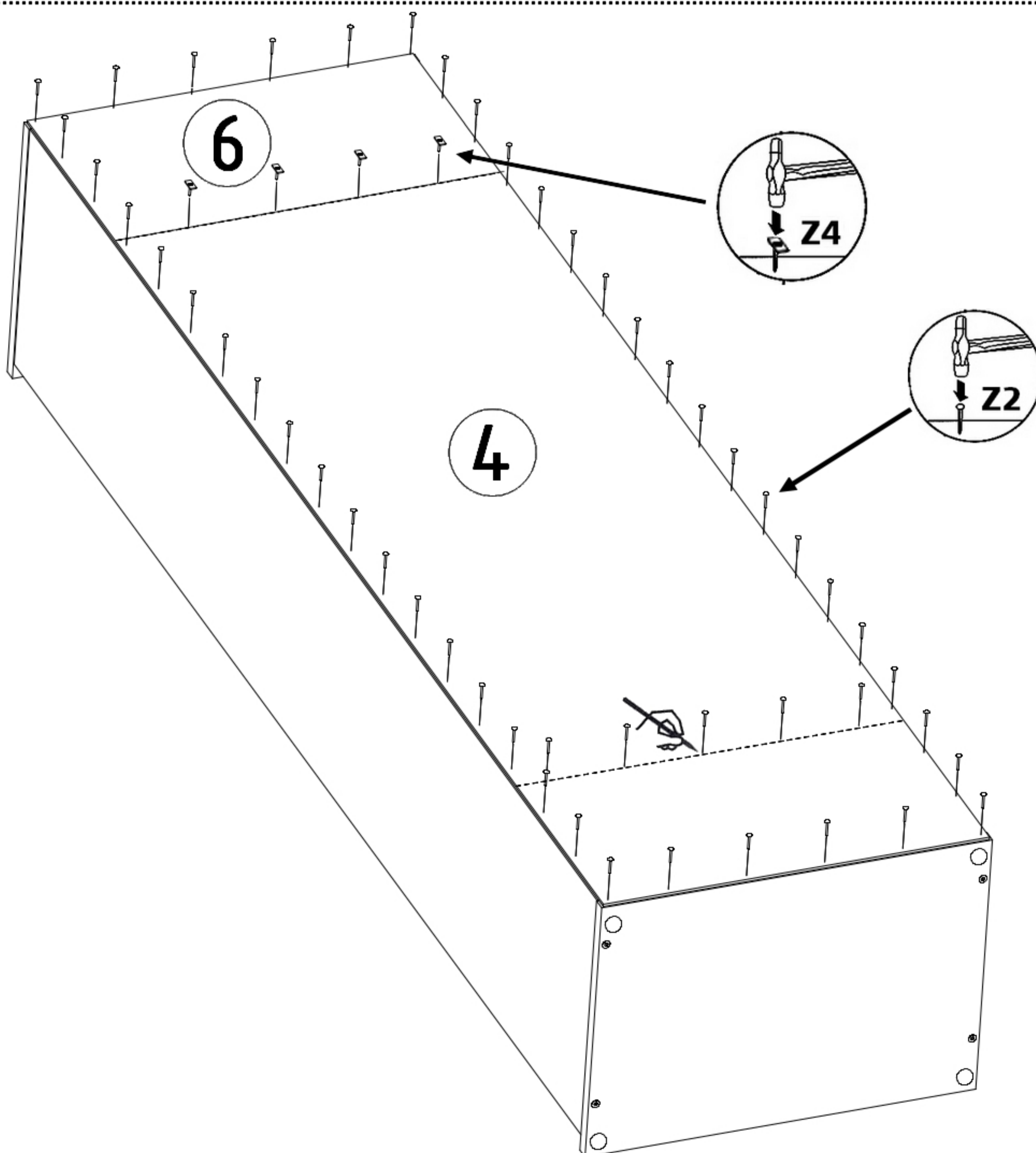
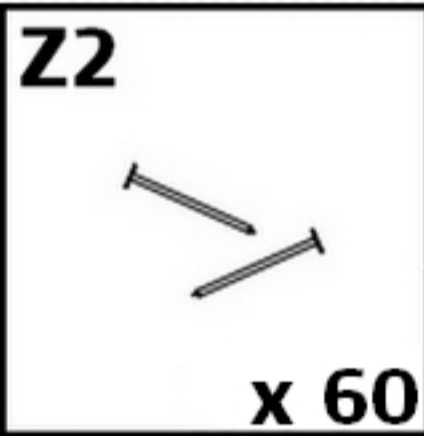
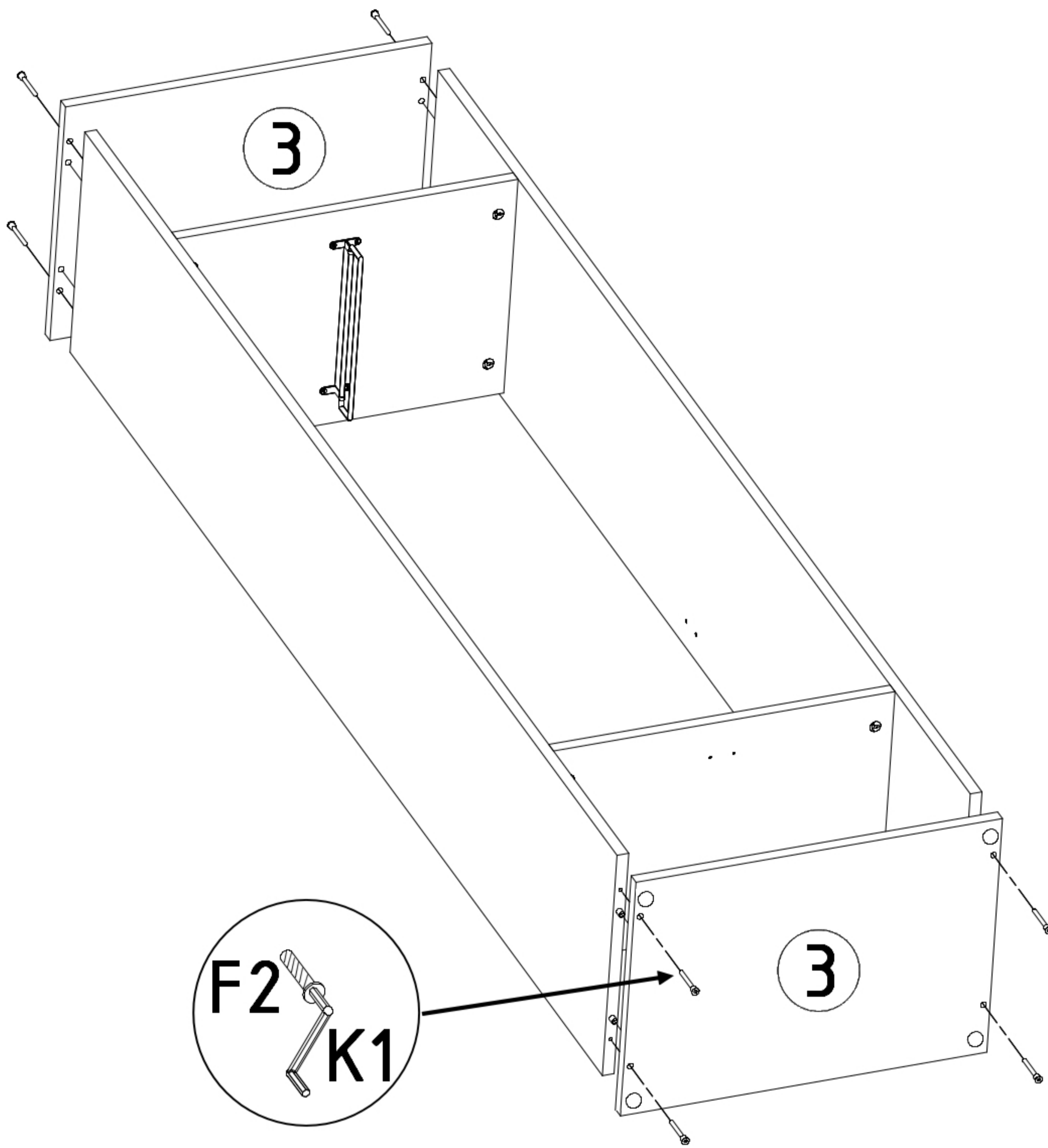
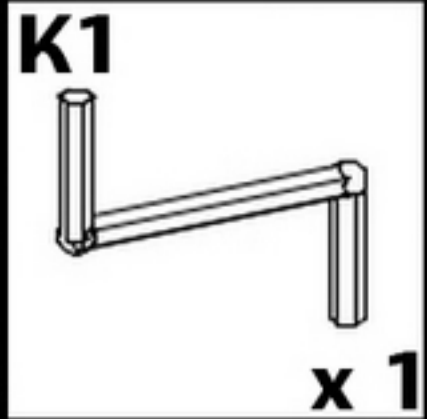
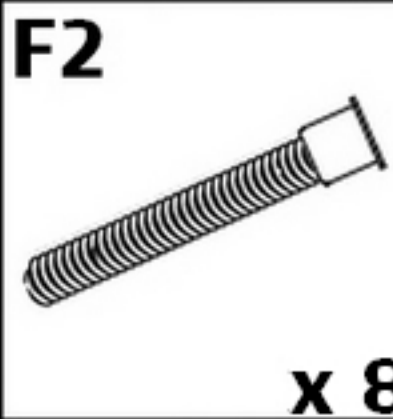



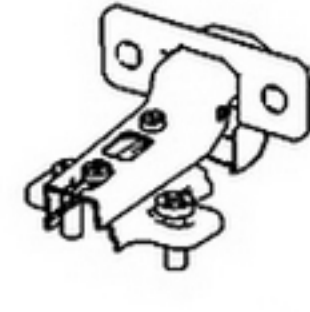
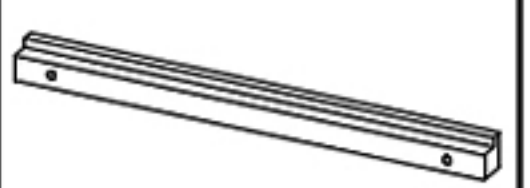

1	x	2
2	x	2
3	x	2
4	x	1
5	x	1
6	x	1

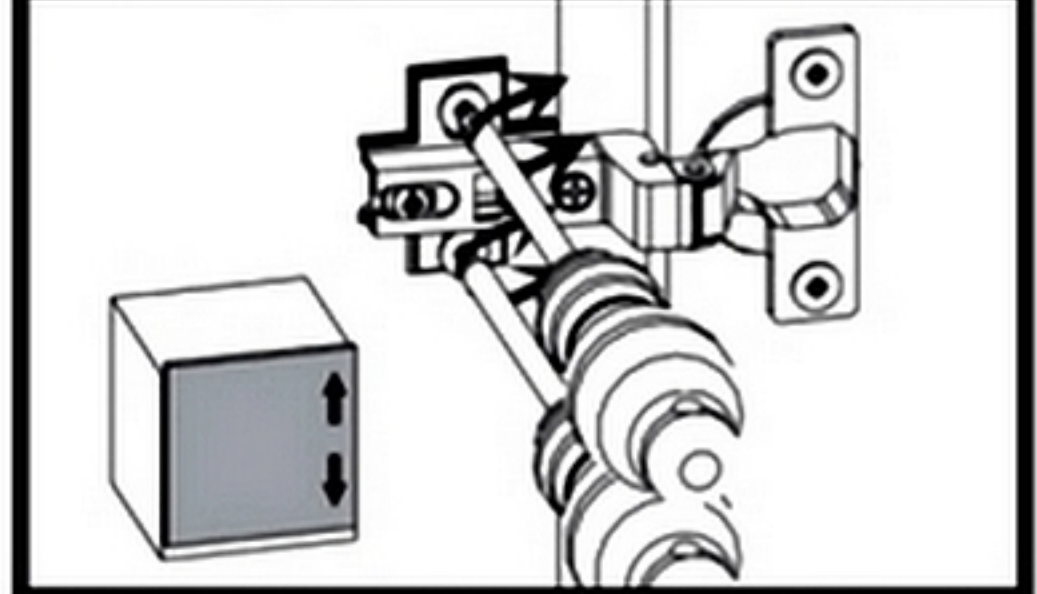
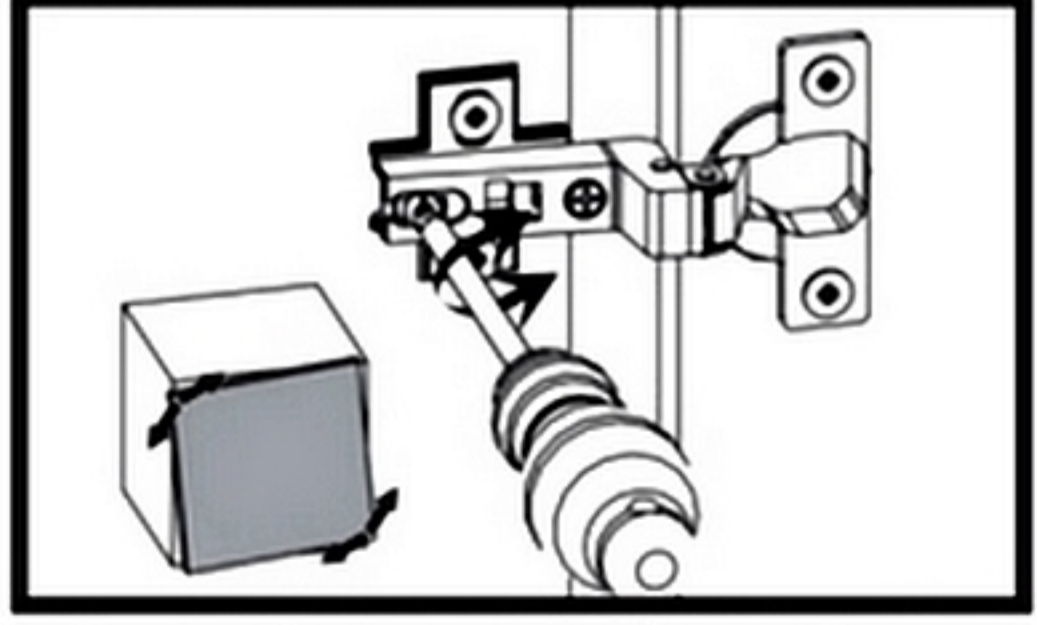
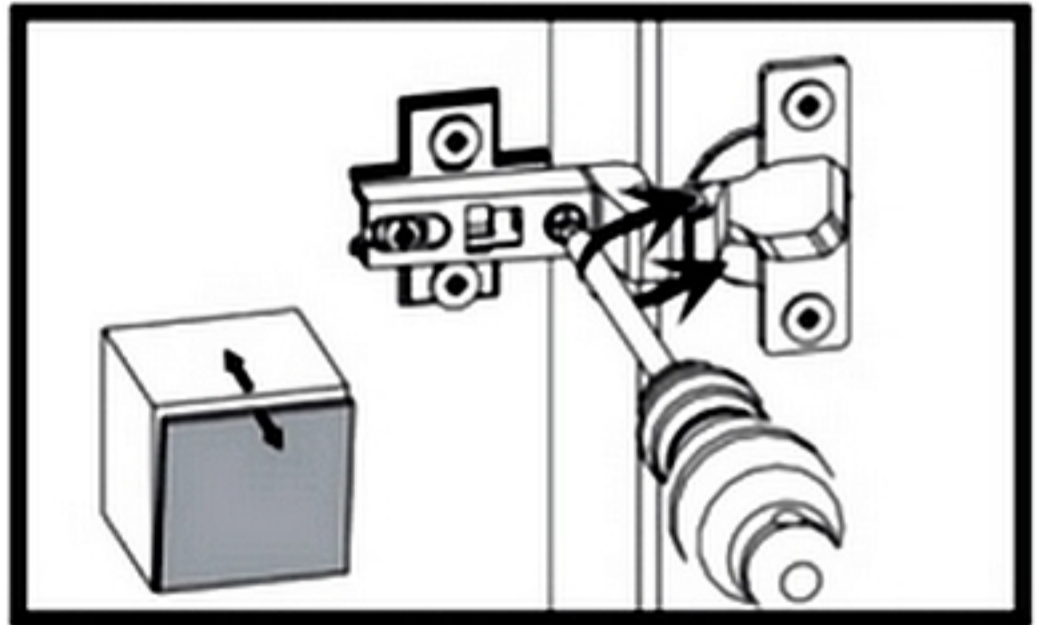
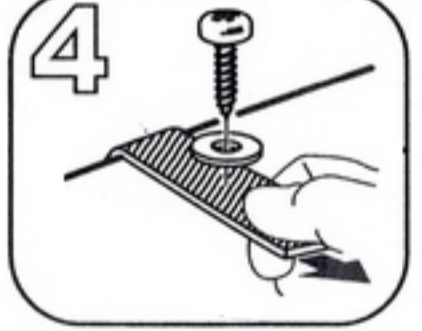
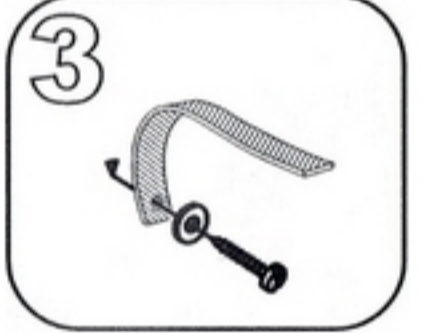
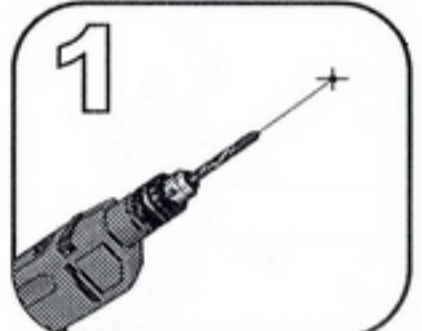
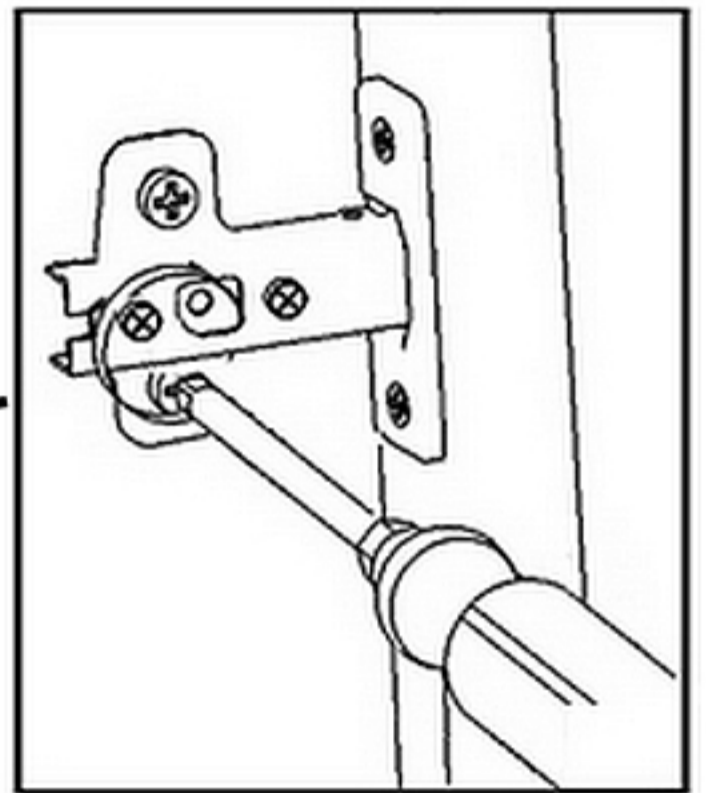
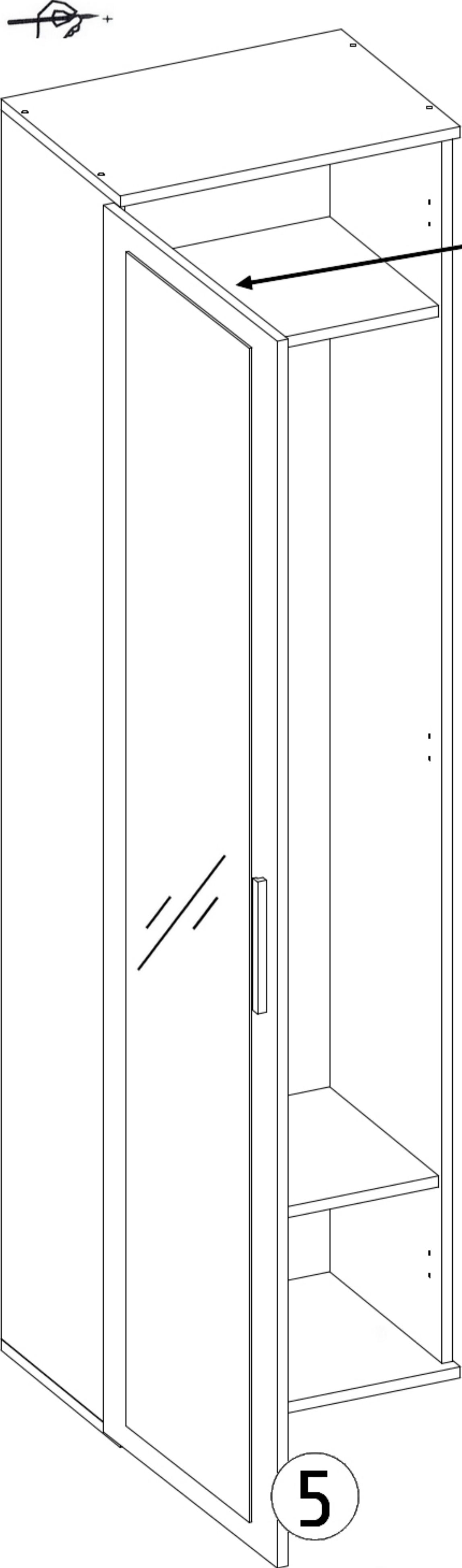
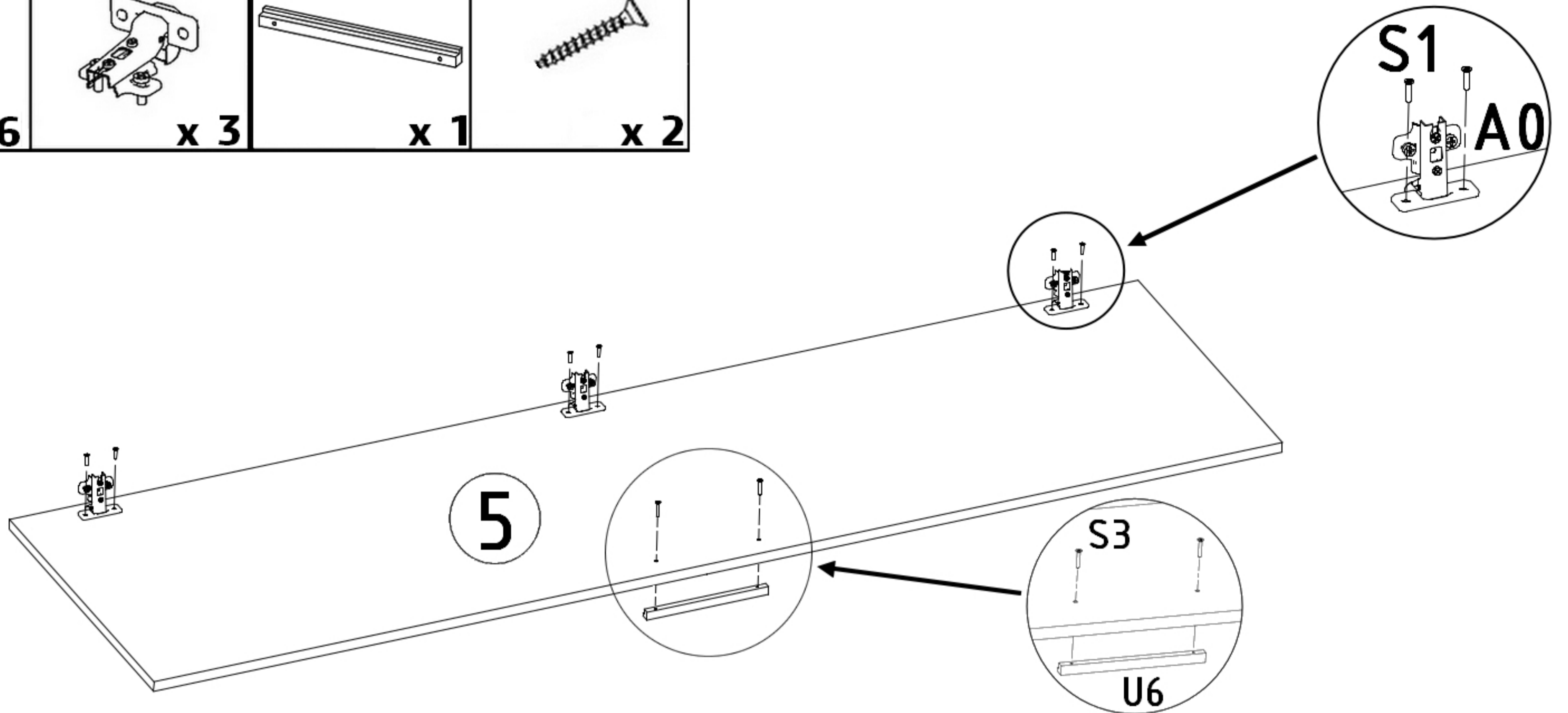




4

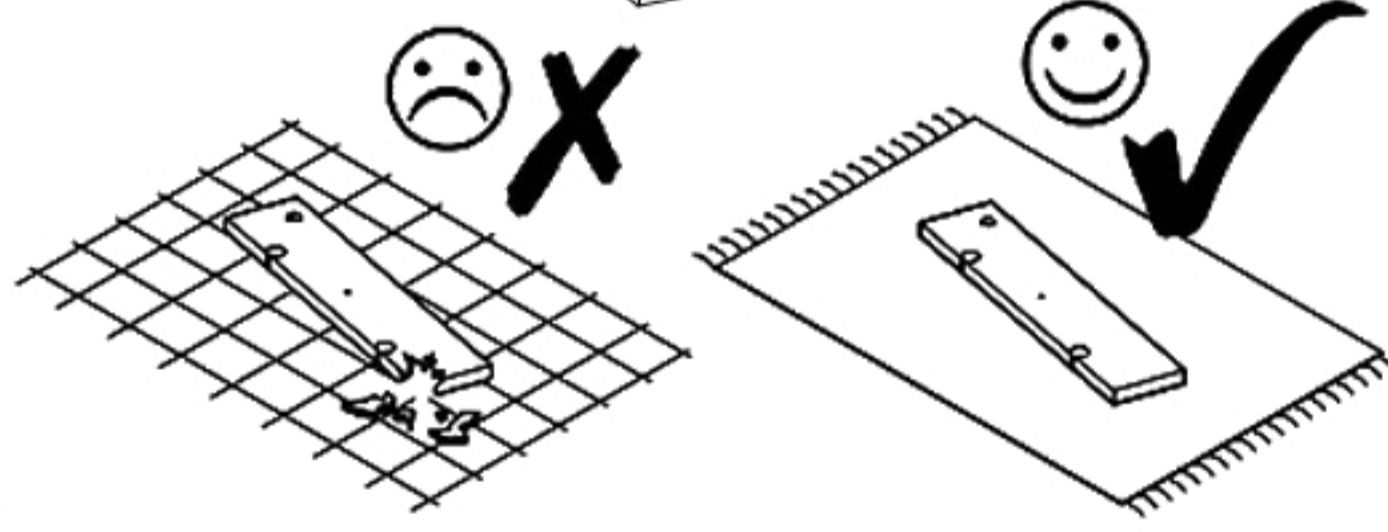
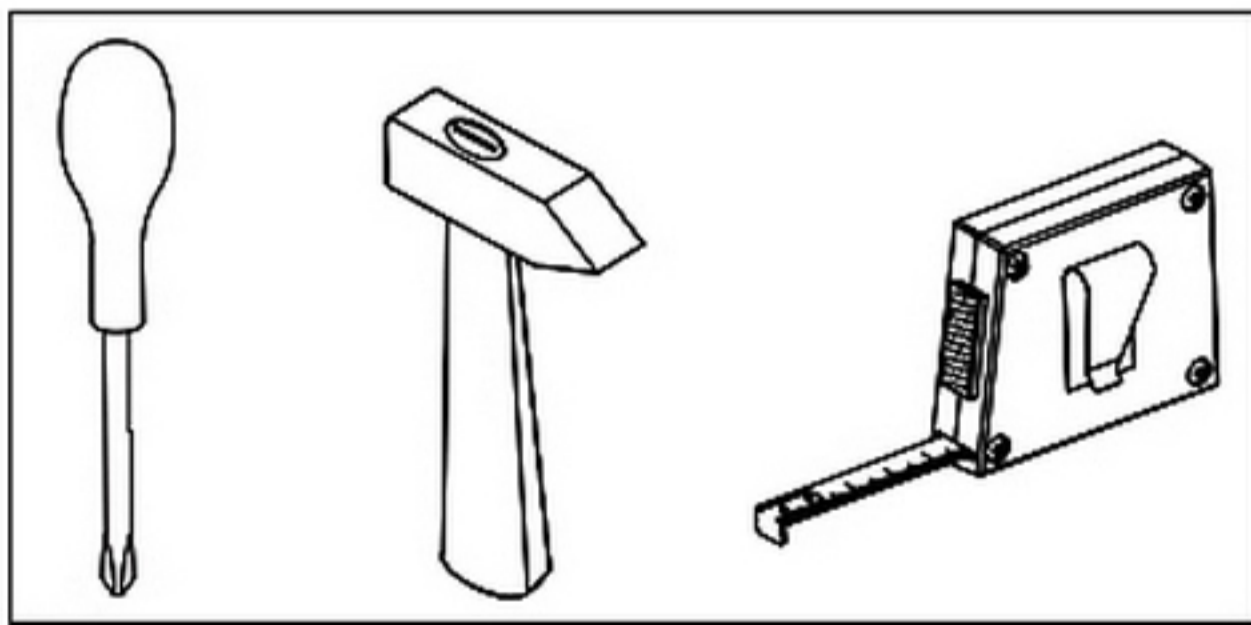
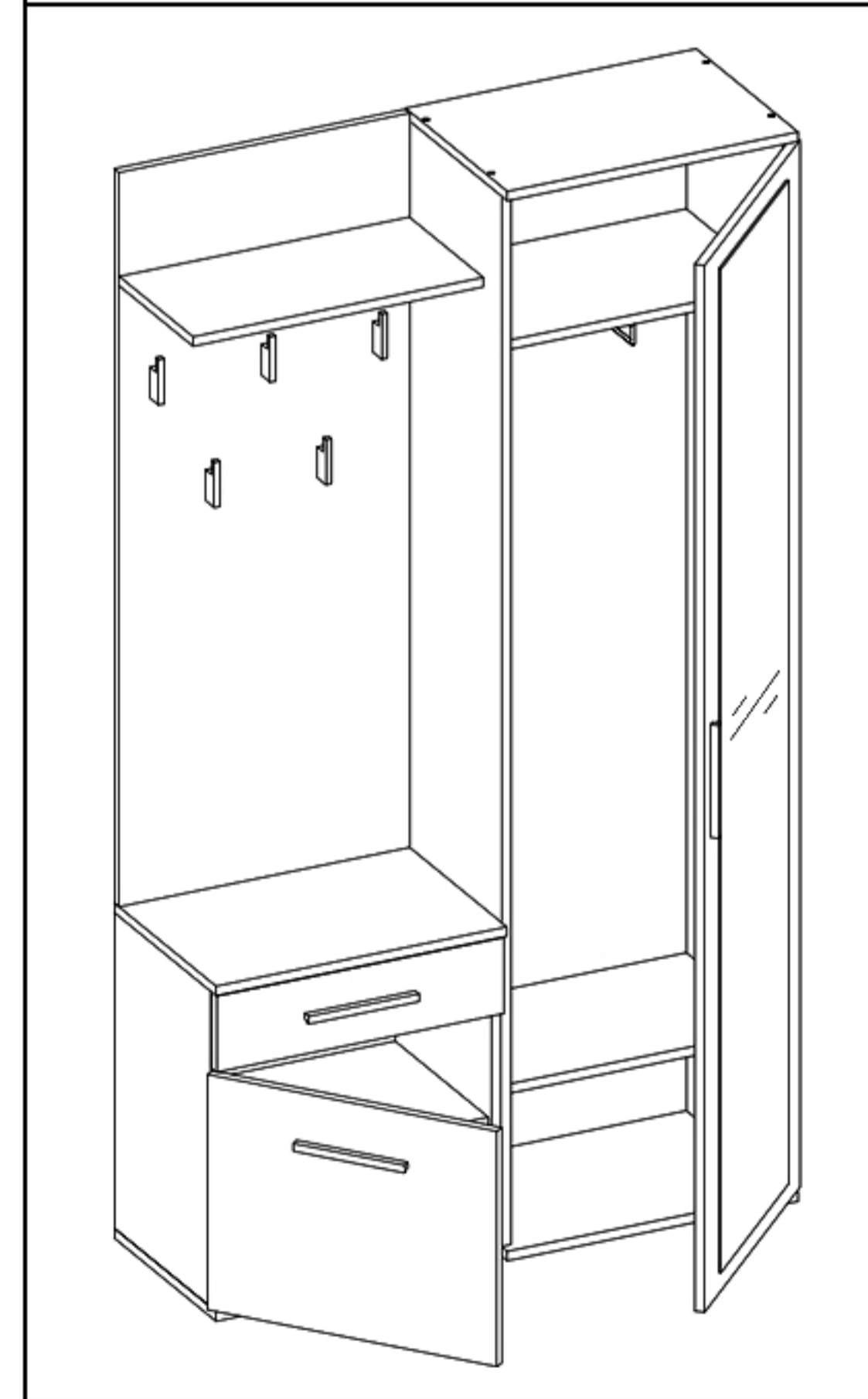
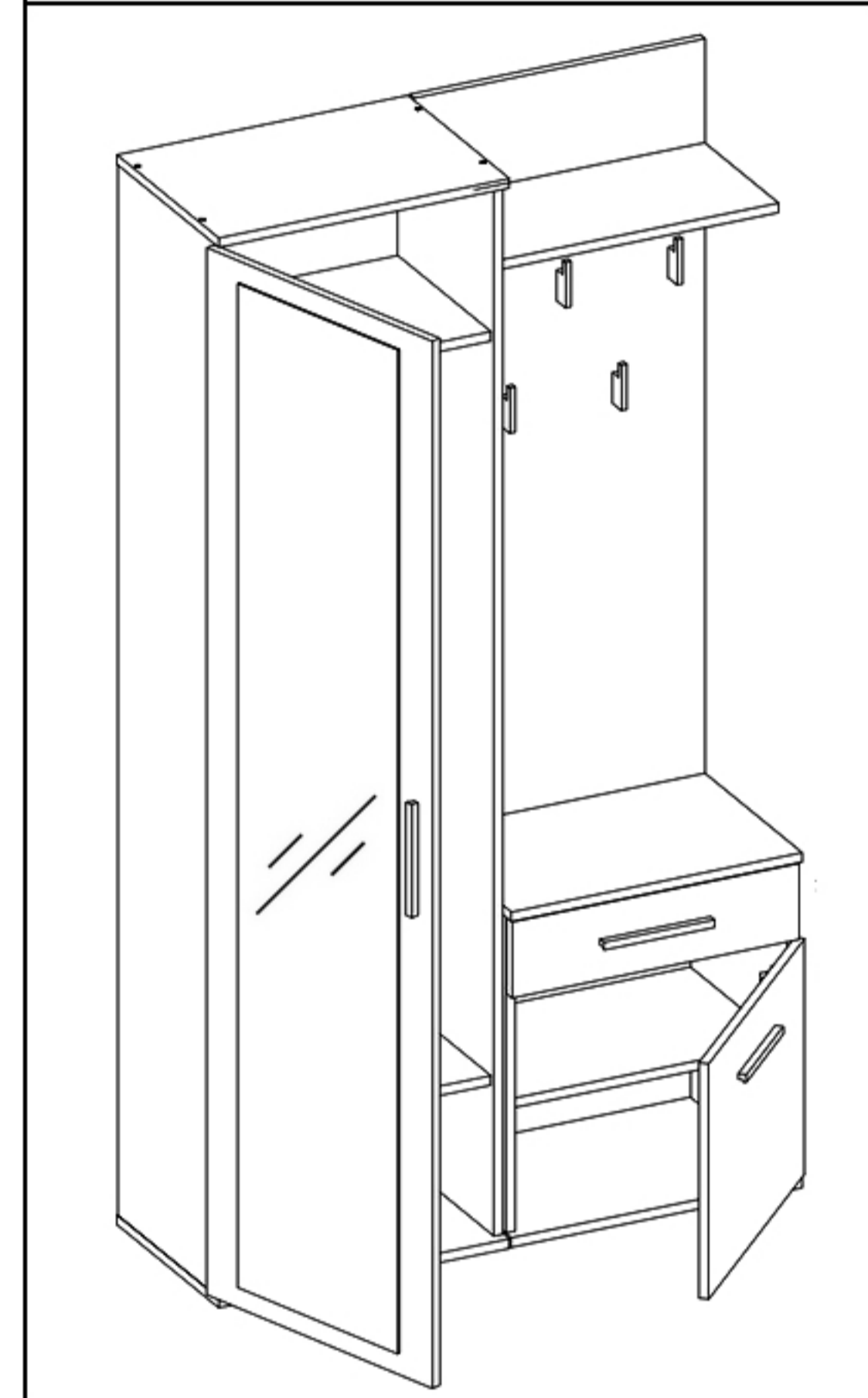
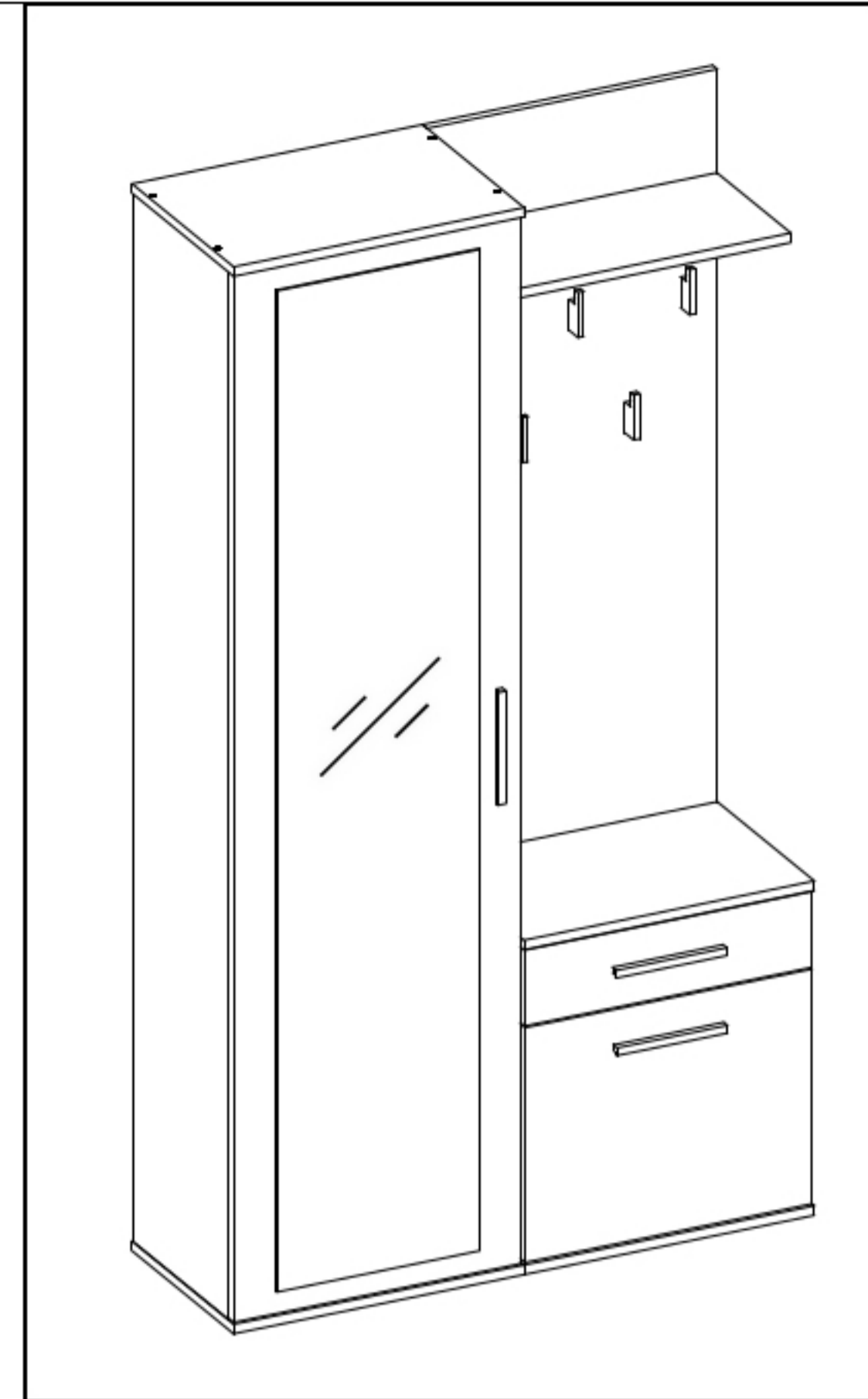
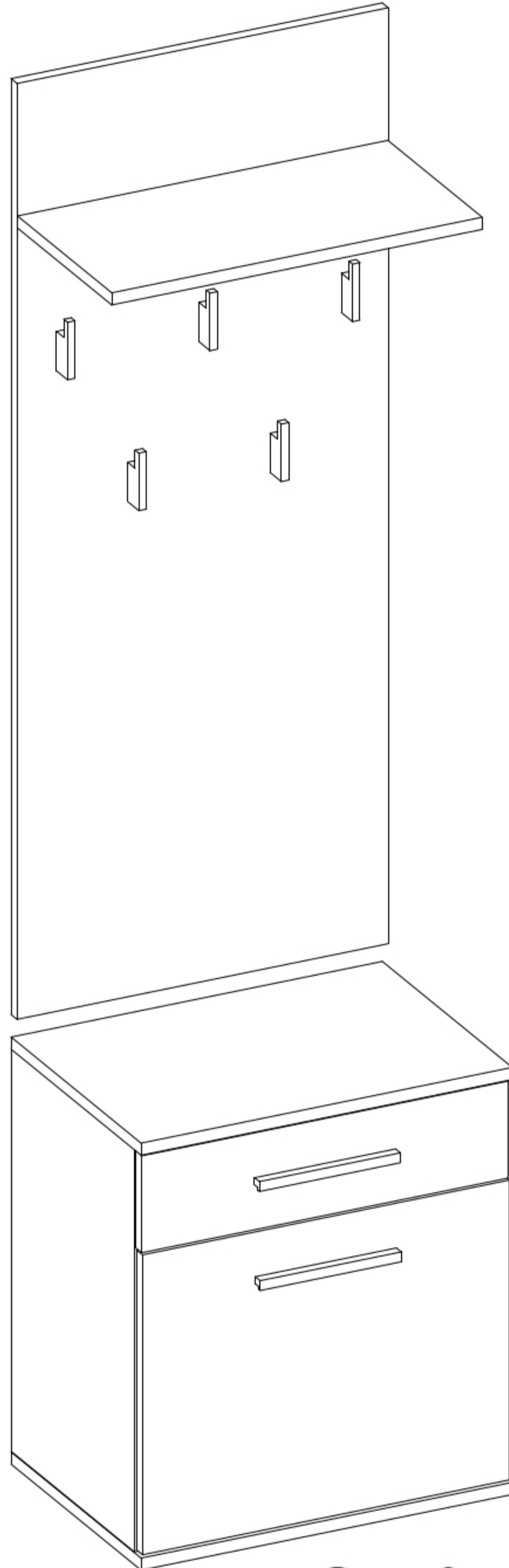
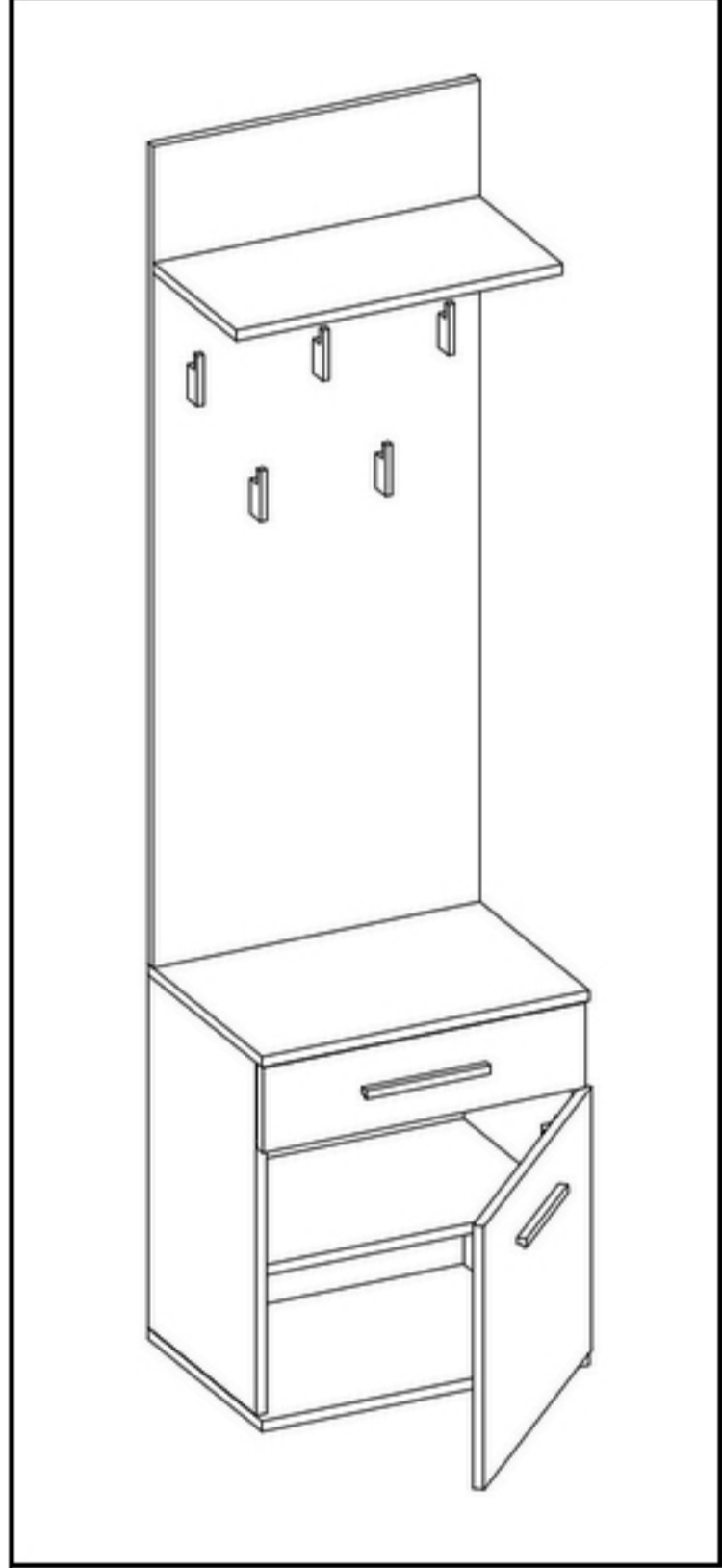
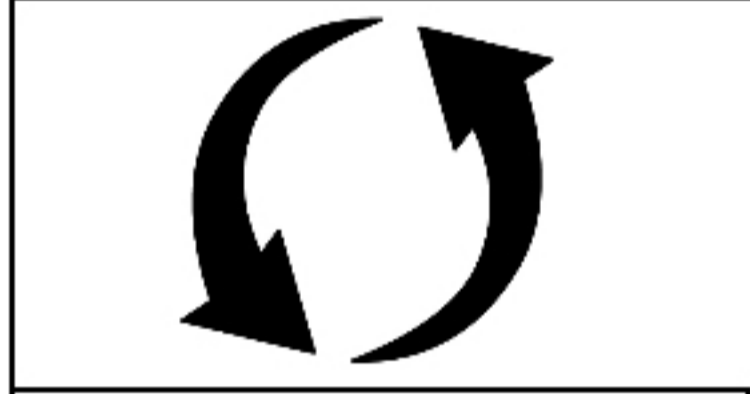
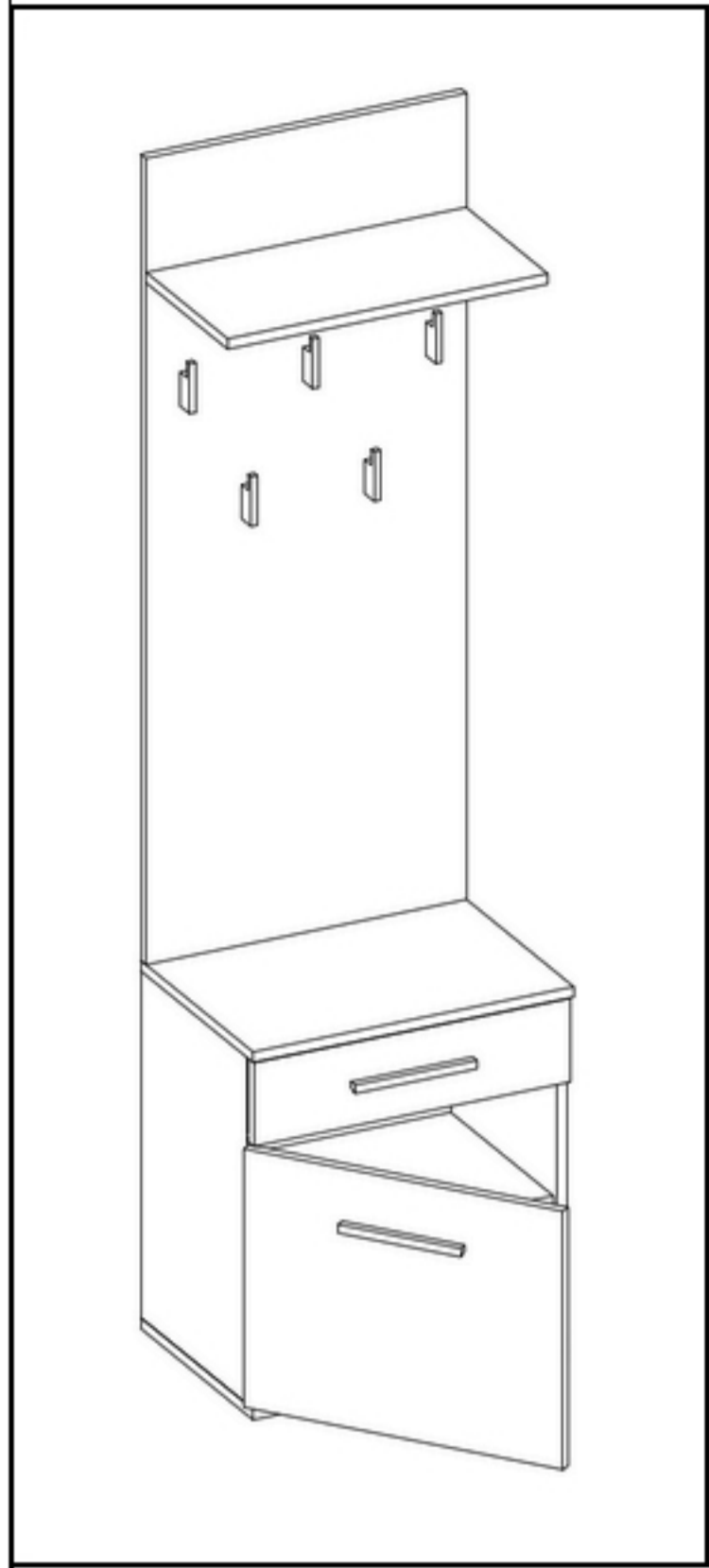


S1  x 6	A0  x 3	U6  x 1	S3  x 2
--------------------------------------------------------------------------------------------------------------	--------------------------------------------------------------------------------------------------------------	--------------------------------------------------------------------------------------------------------------	--------------------------------------------------------------------------------------------------------------

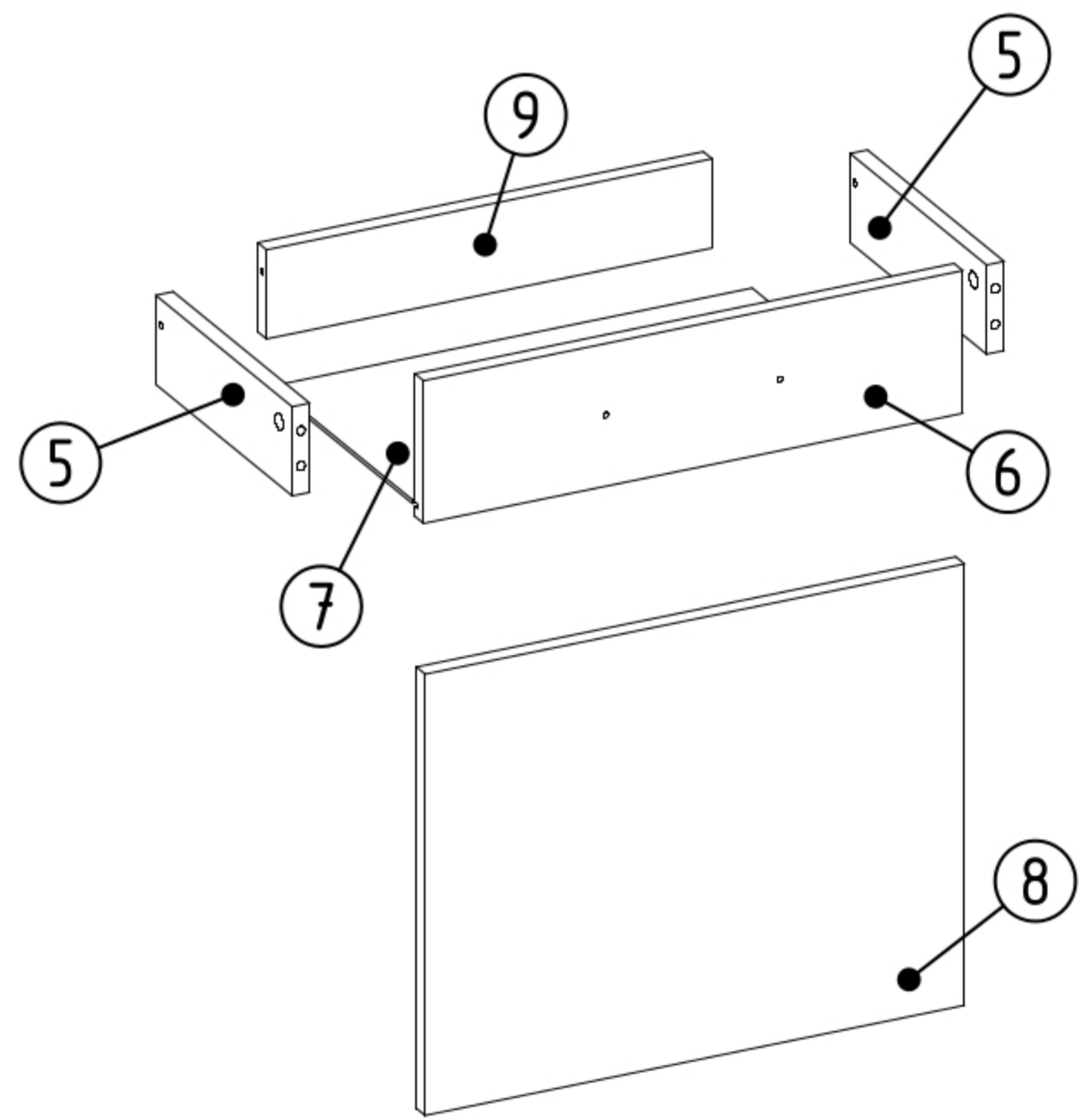
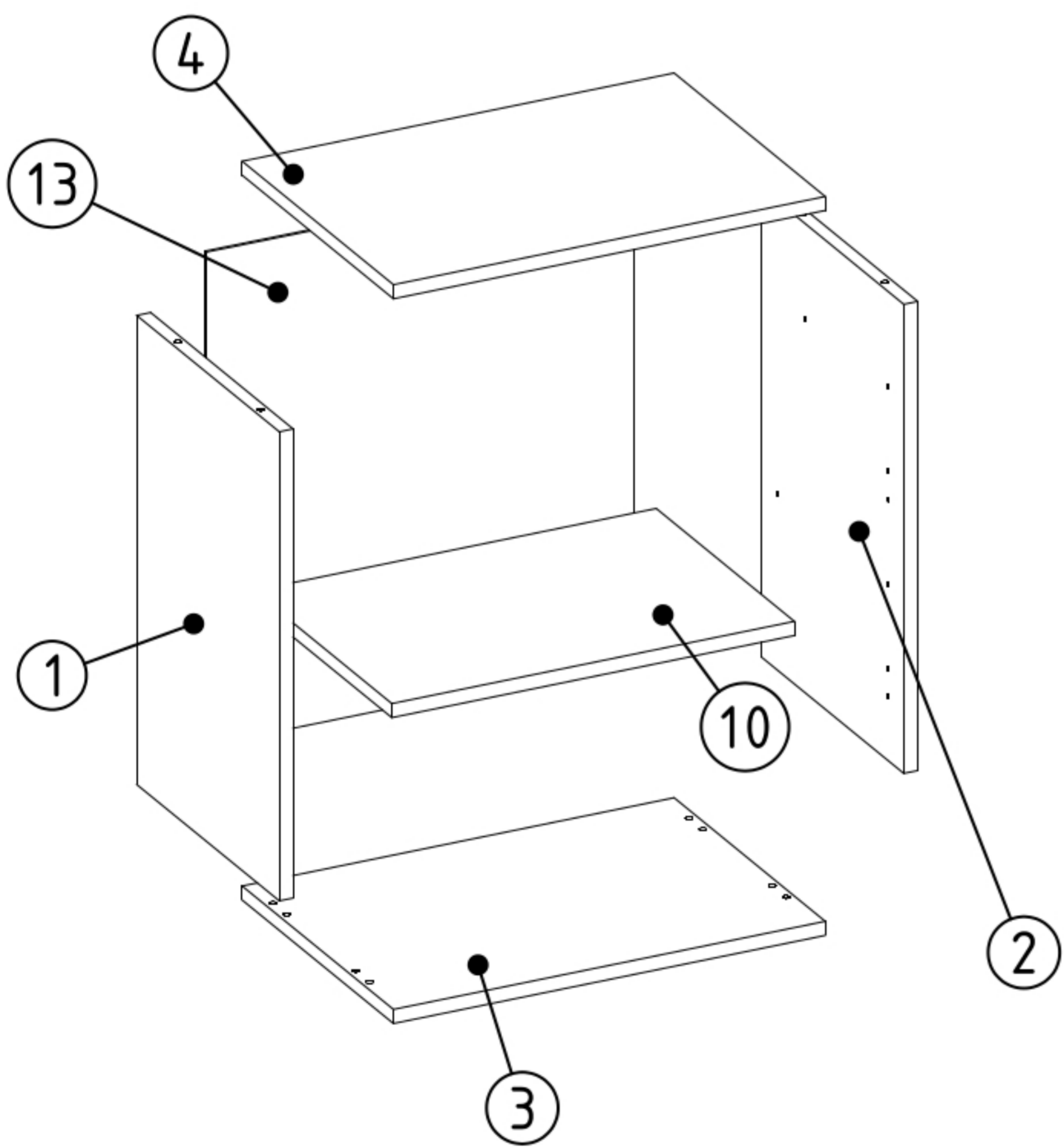
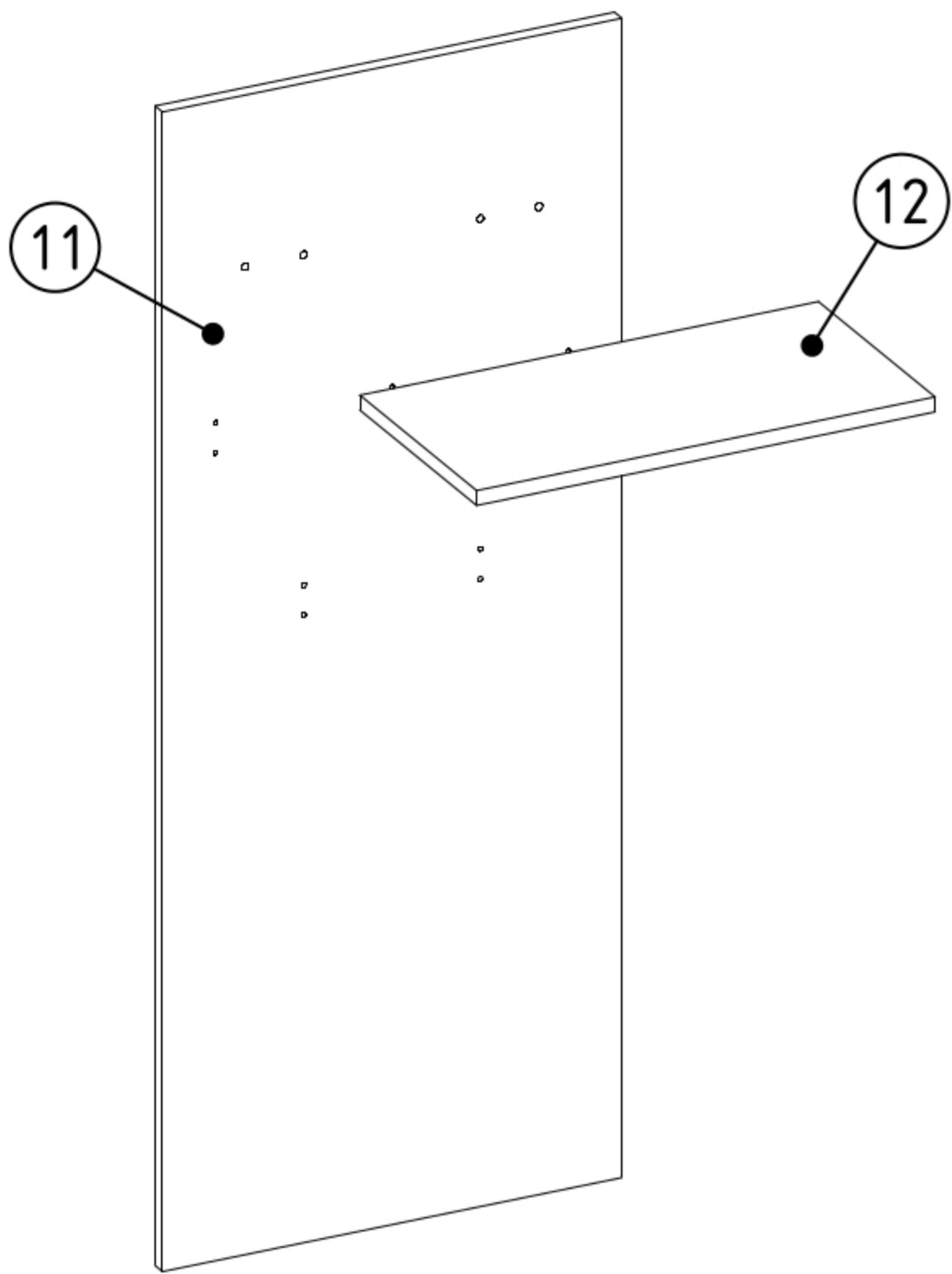


03/03/2022

DUO C2







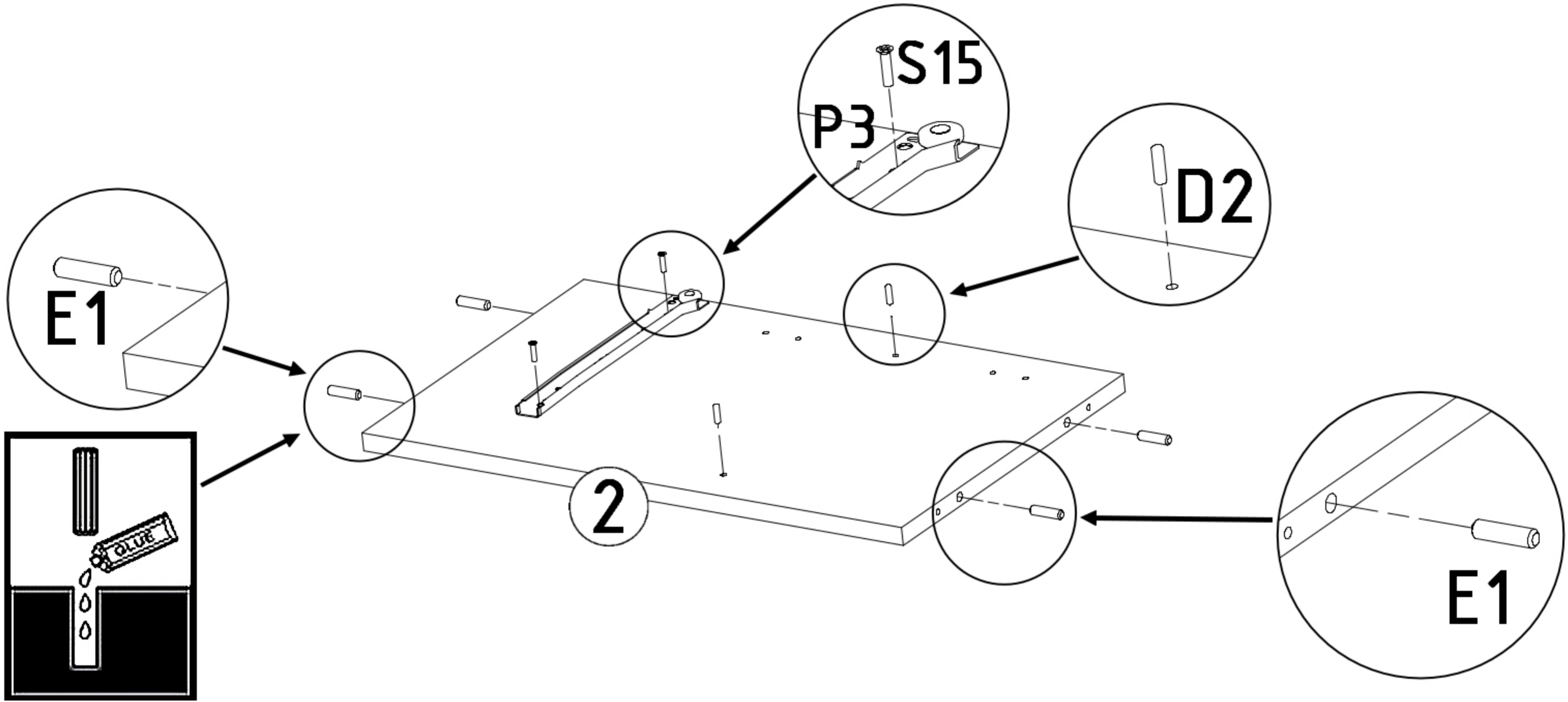
P3 L=250mm x 1	K1 x 1	S15 6x8mm x 8	U6 L=190mm x 2			
L7 L=75mm x 5	M3 12x15mm x 2	E4 L=43mm x 2	S1 3,5x16mm x 8	E1 8x30mm x 10	D2 L=16mm x 4	S3 4x27mm x 14
T1 x 4	Z2 x 30	A0 ZP x 2	N2 L=35mm x 2	M2 ø16mm x 2	F2 7x50mm x 8	D12 ø34mm x 2







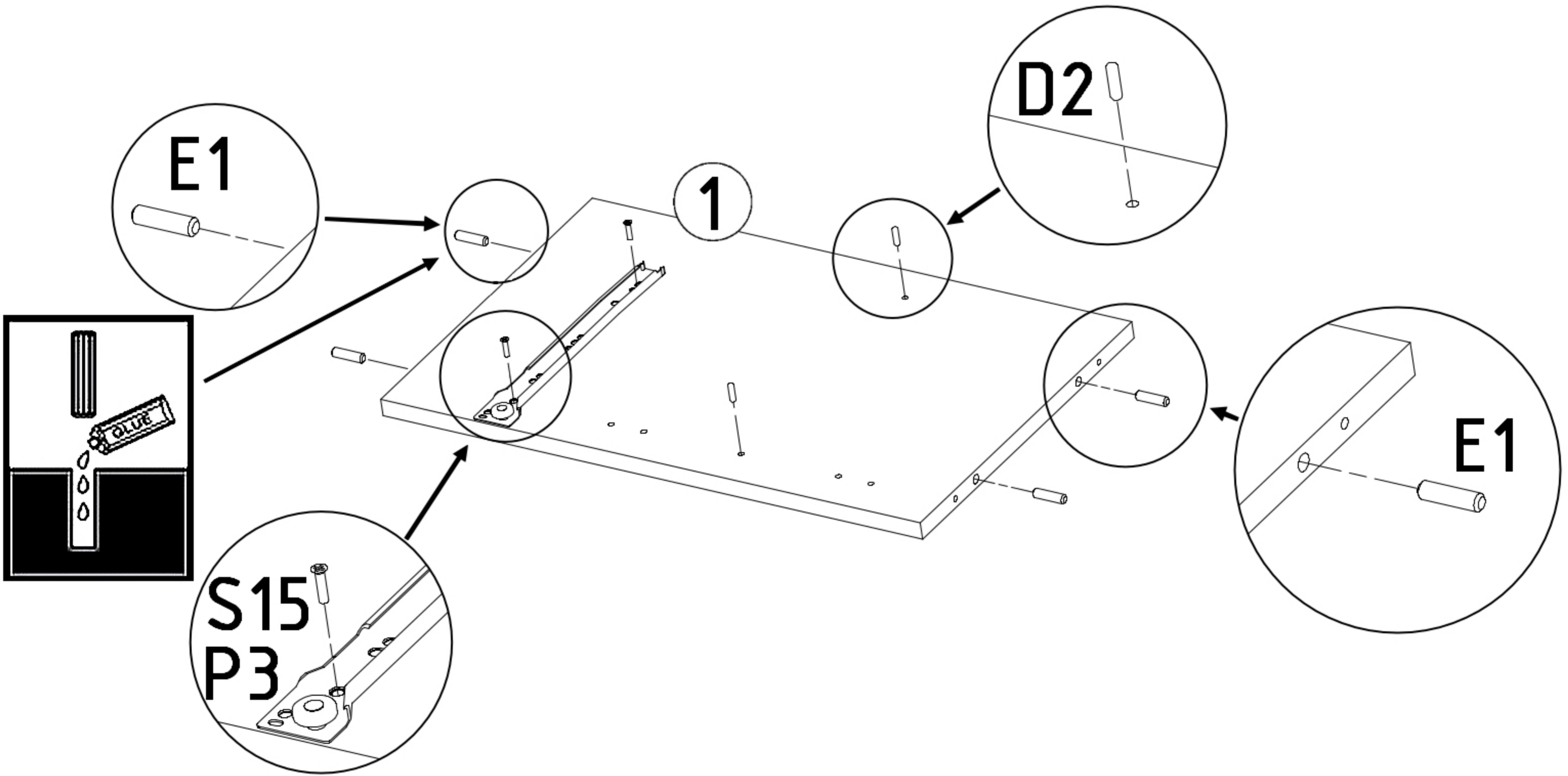
1	x	1
2	x	1
3	x	1
4	x	1
5	x	2
6	x	1

7	x	1
8	x	1
9	x	1
10	x	1
11	x	1
12	x	1
13	x	1

	D2		P3		S15		E1
	x 2	L=250	x 1	6x8	x 2	8x30	x 4

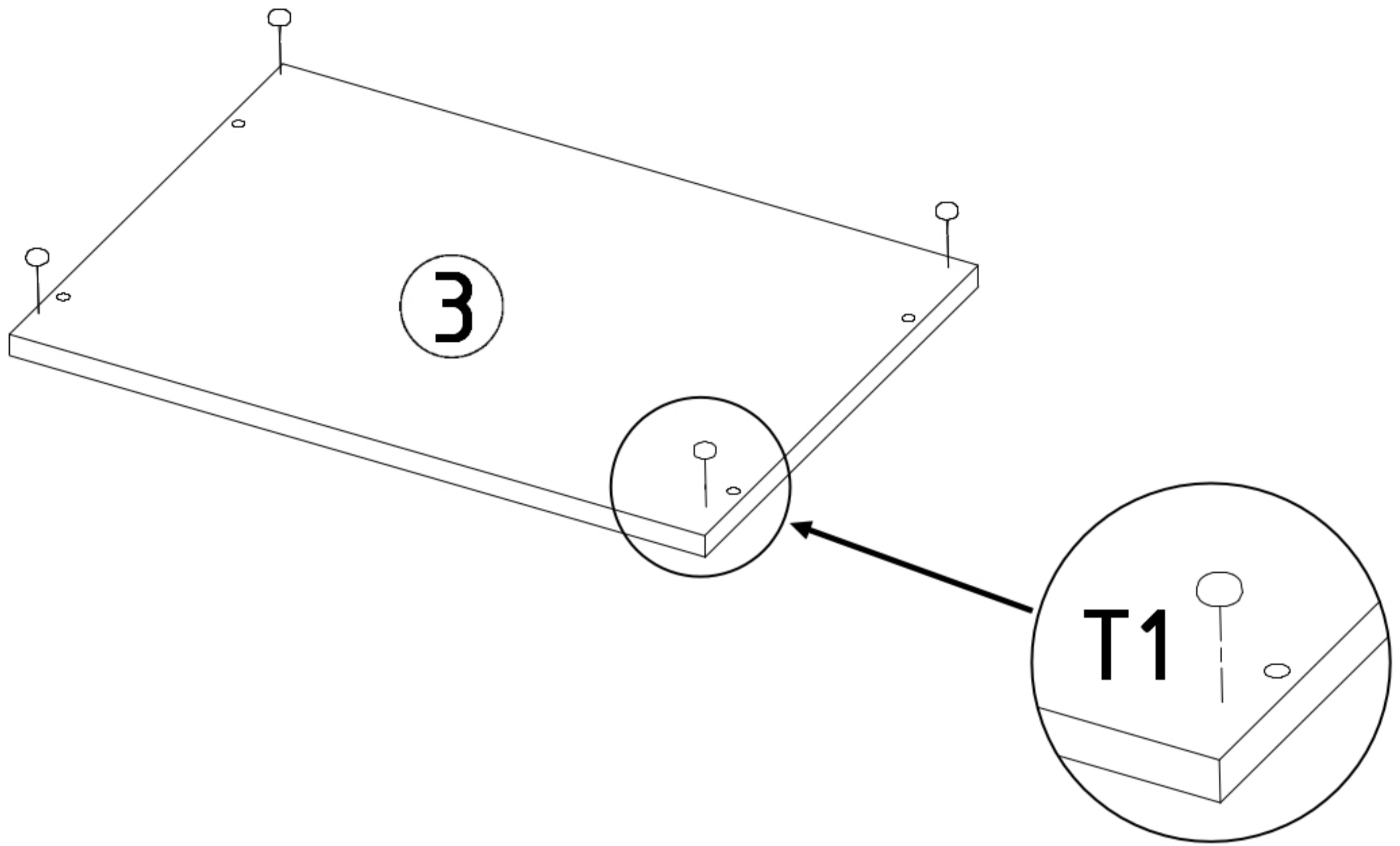



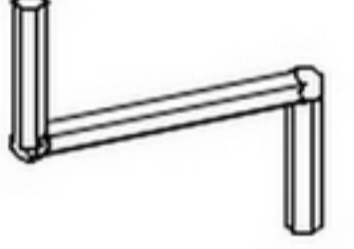

	D2		P3		S15		E1
x 1	x 2	L=250	x 1	6x8	x 2	8x30	x 4

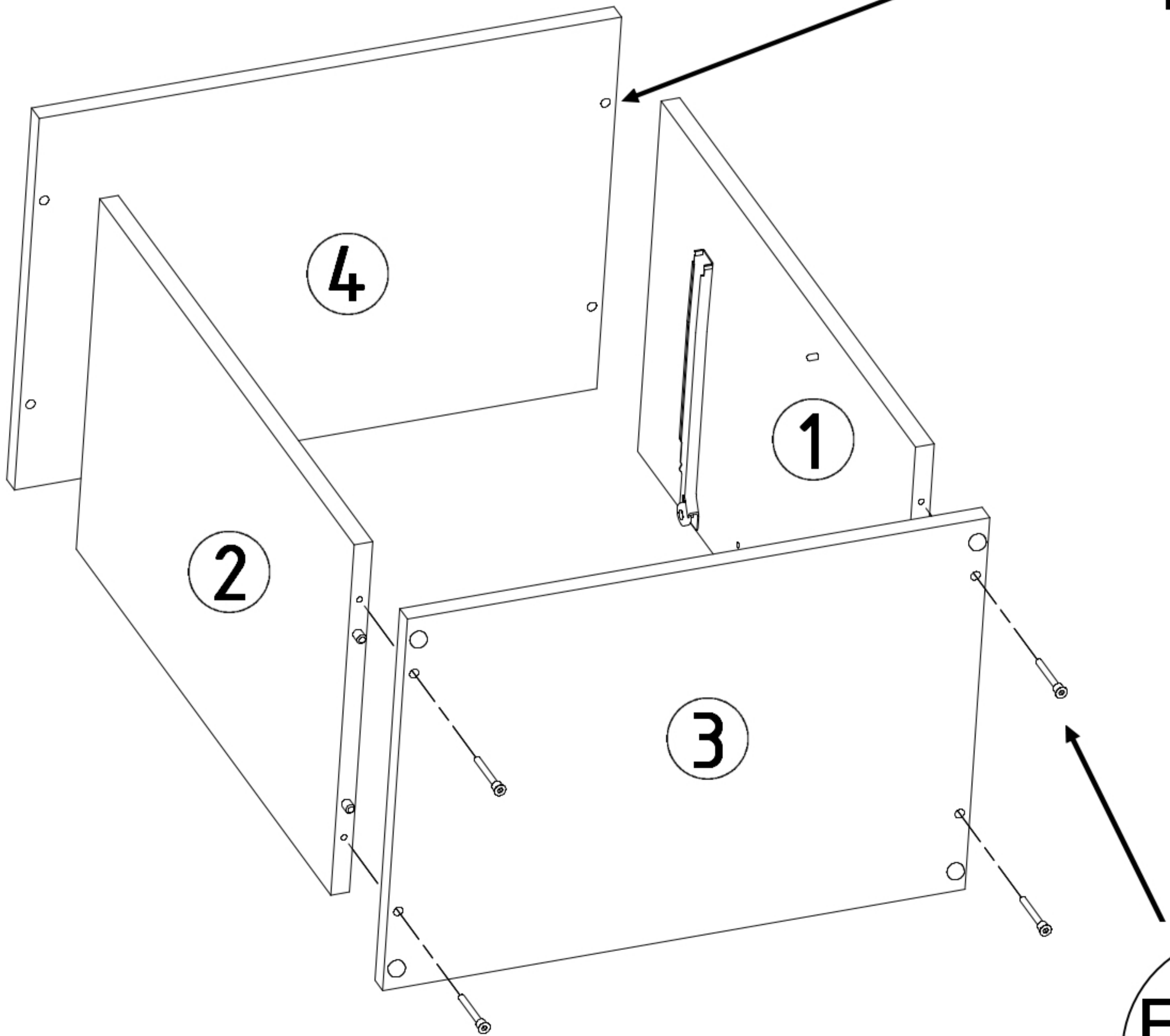
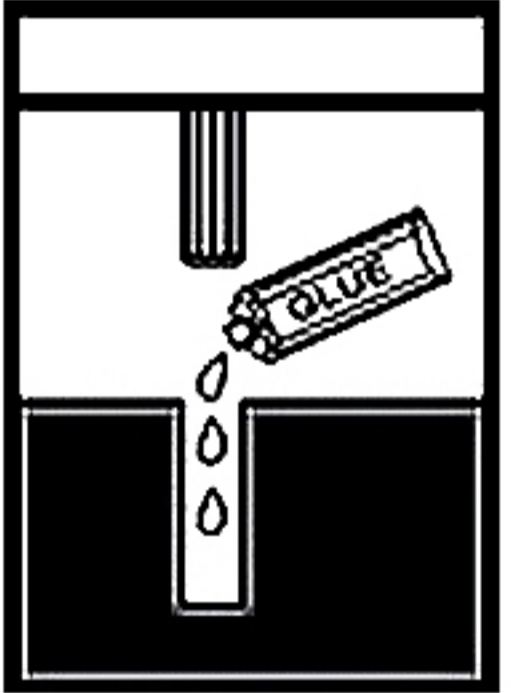


T1

x 4

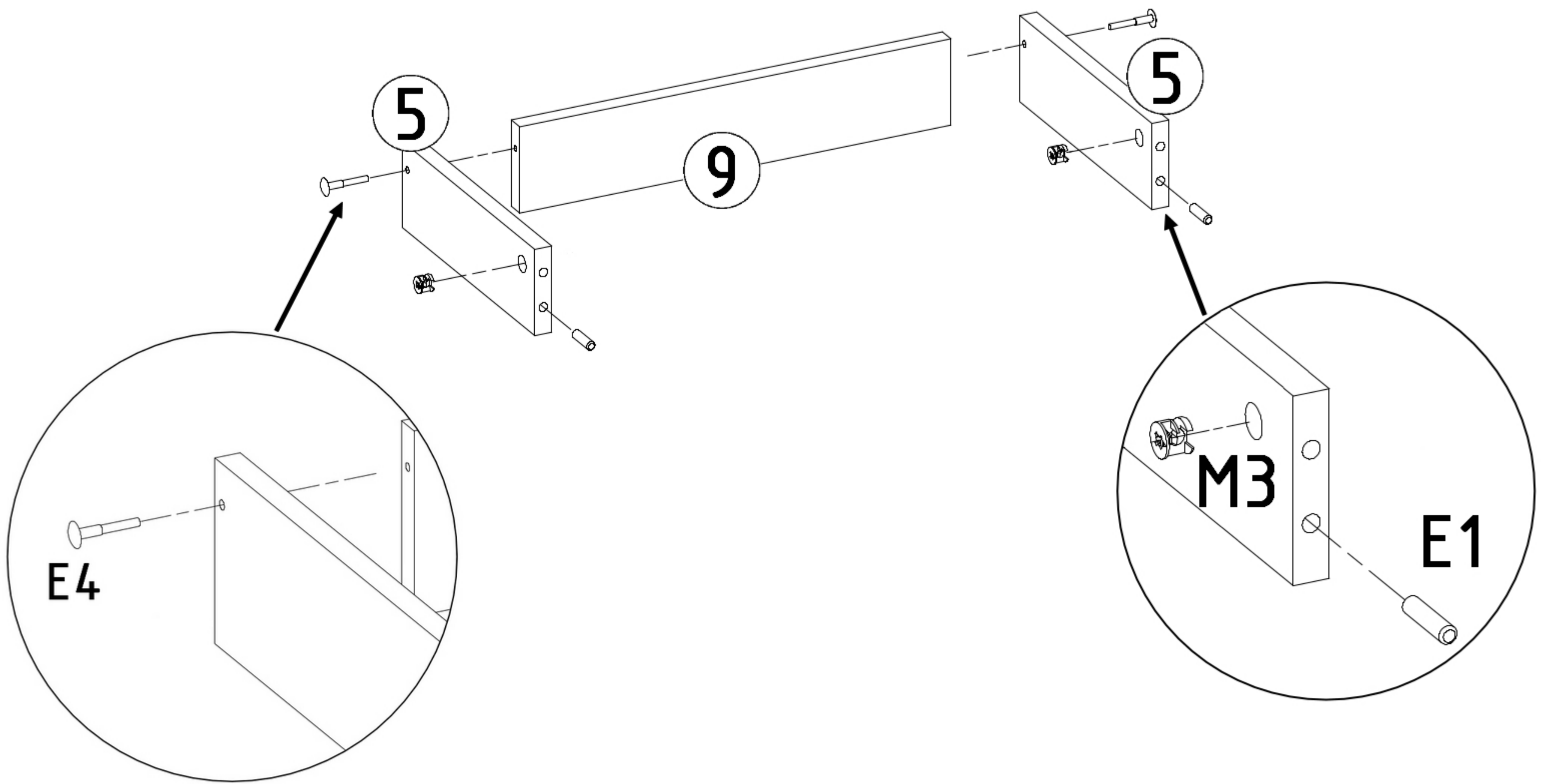
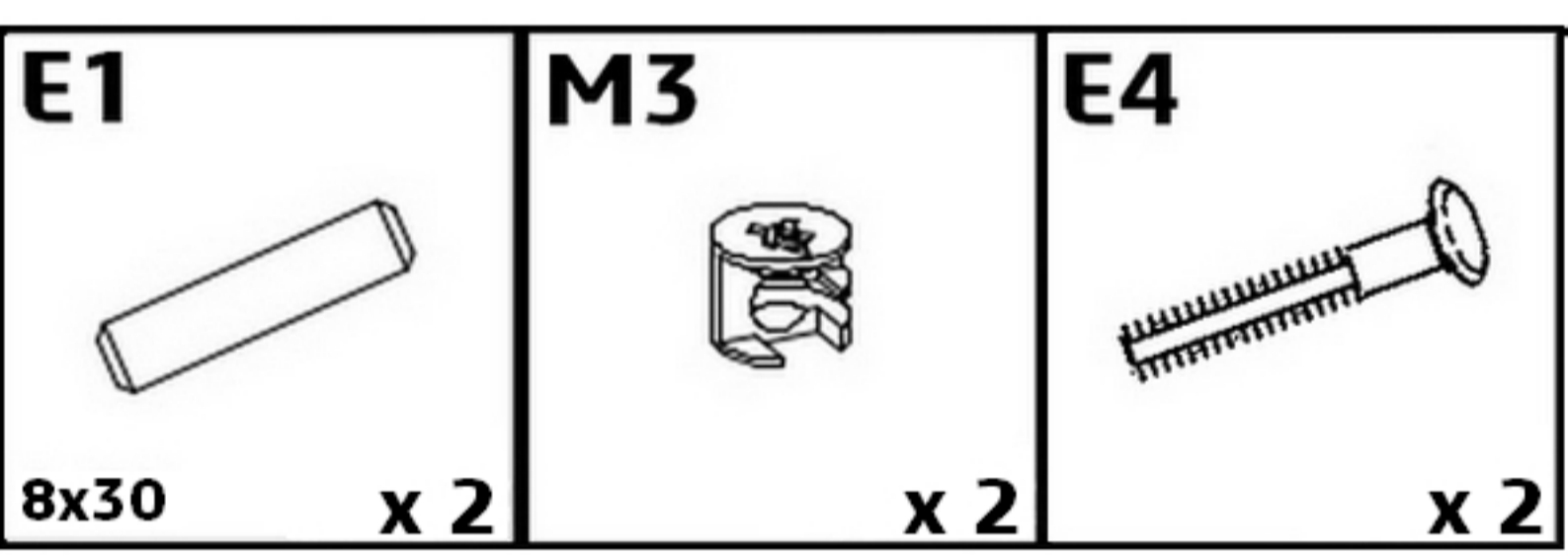
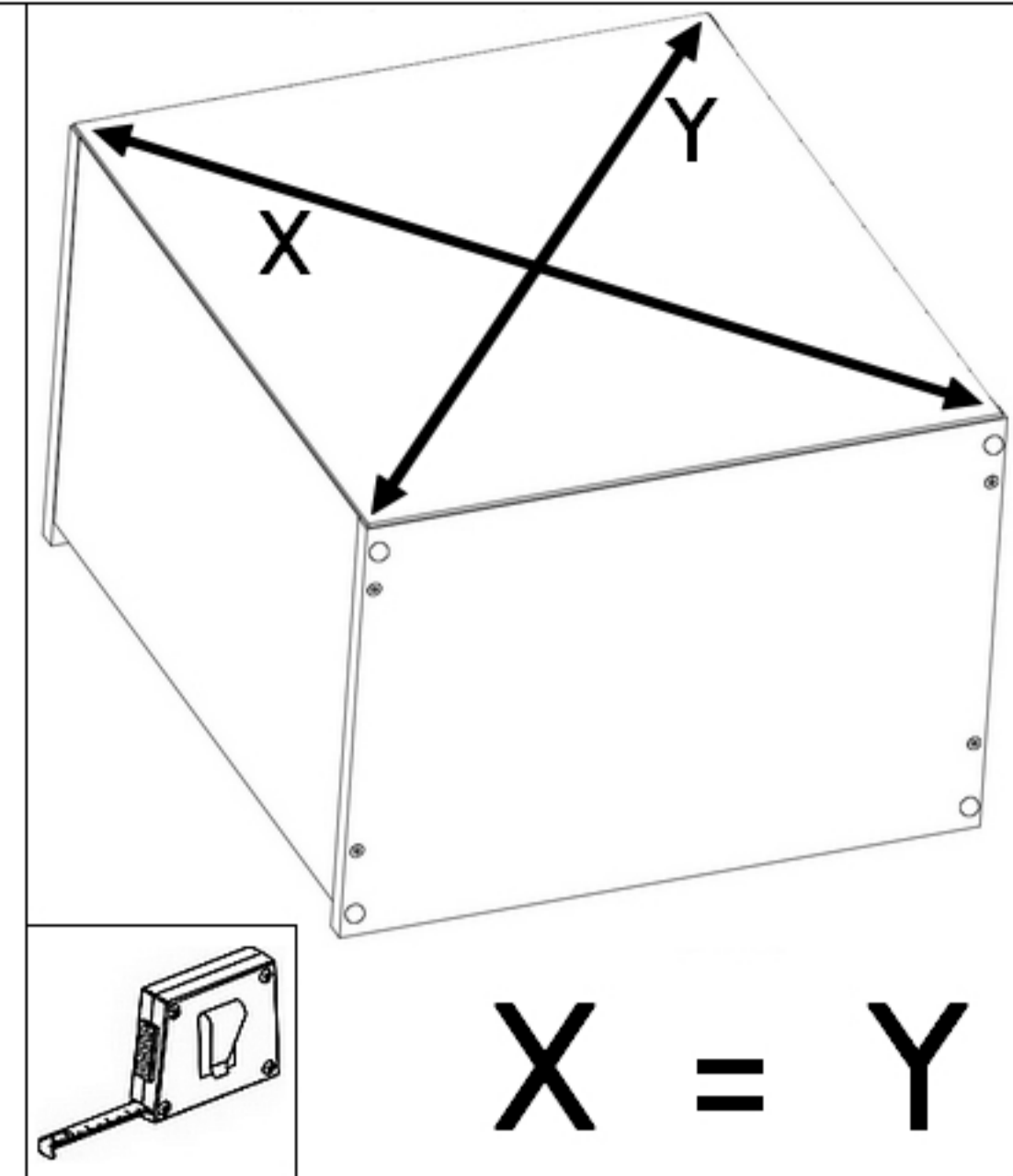
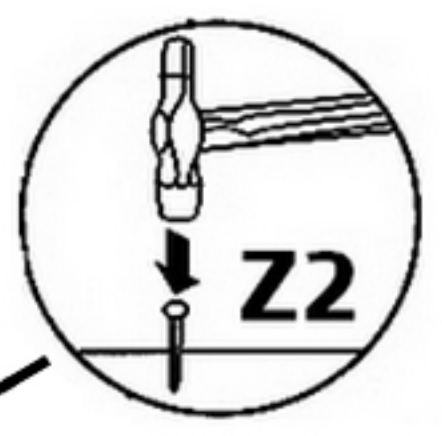
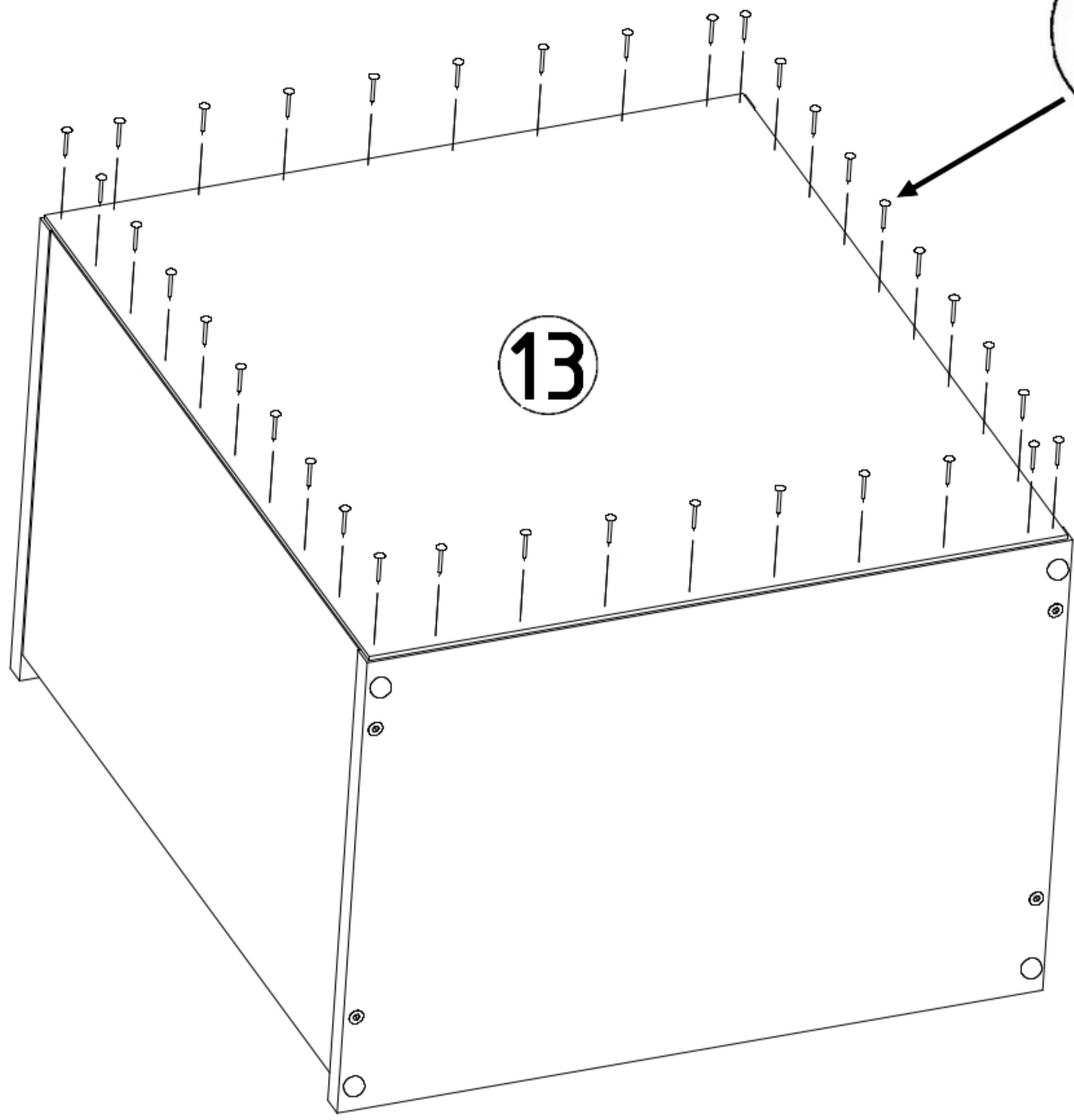
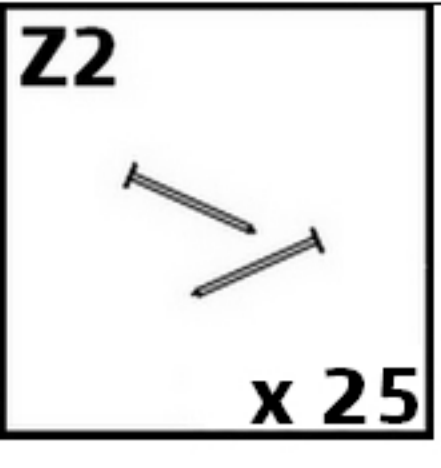



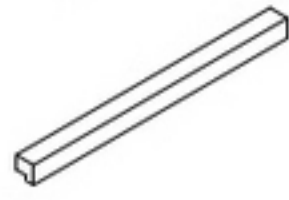

<p>F2  x 4</p>	<p>K1  x 1</p>	<p></p>
------------------------------------------------------------------------------------------------------------------------	-------------------------------------------------------------------------------------------------------------------------	--------------------------------------------------------------------------------------------

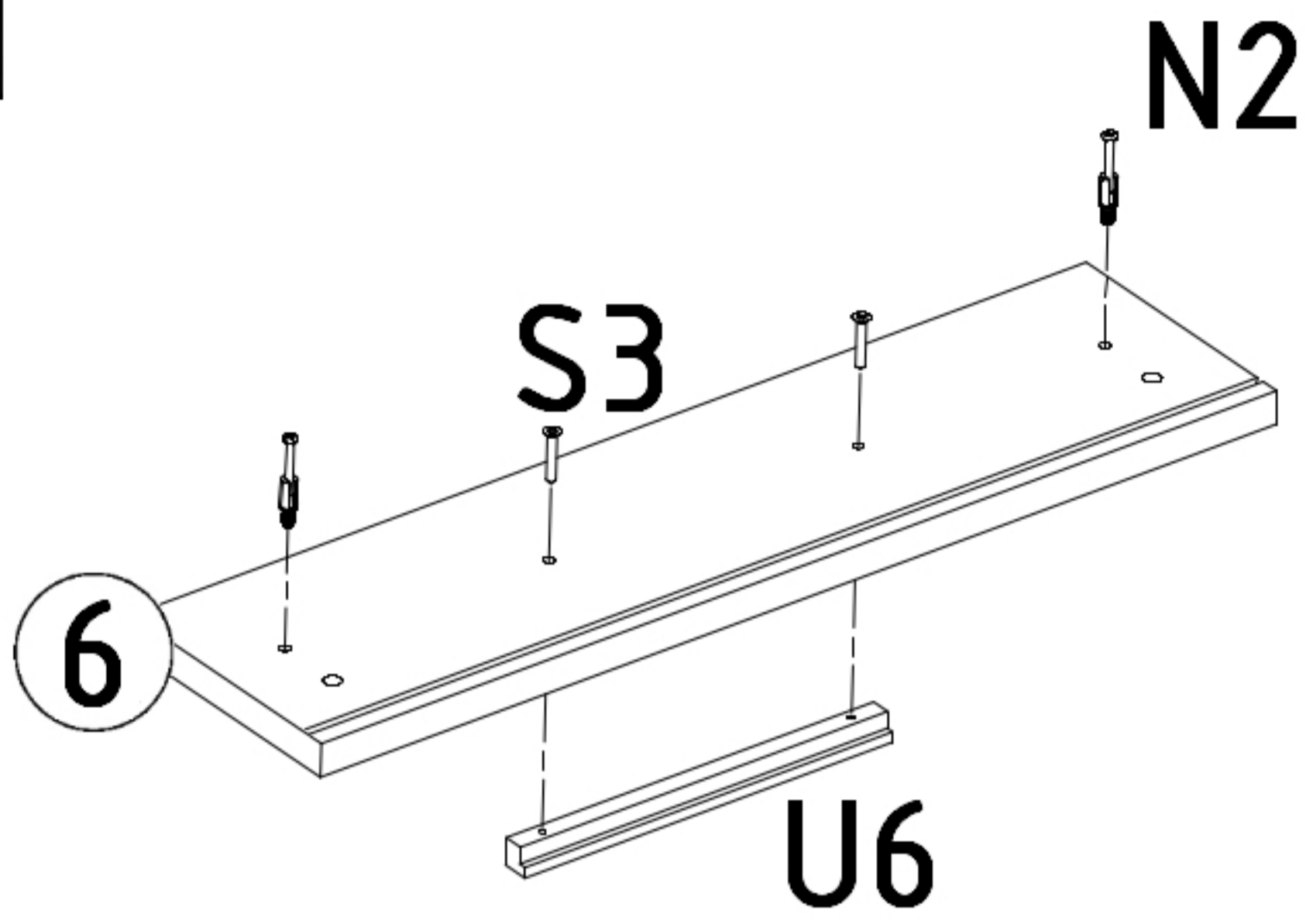





F2

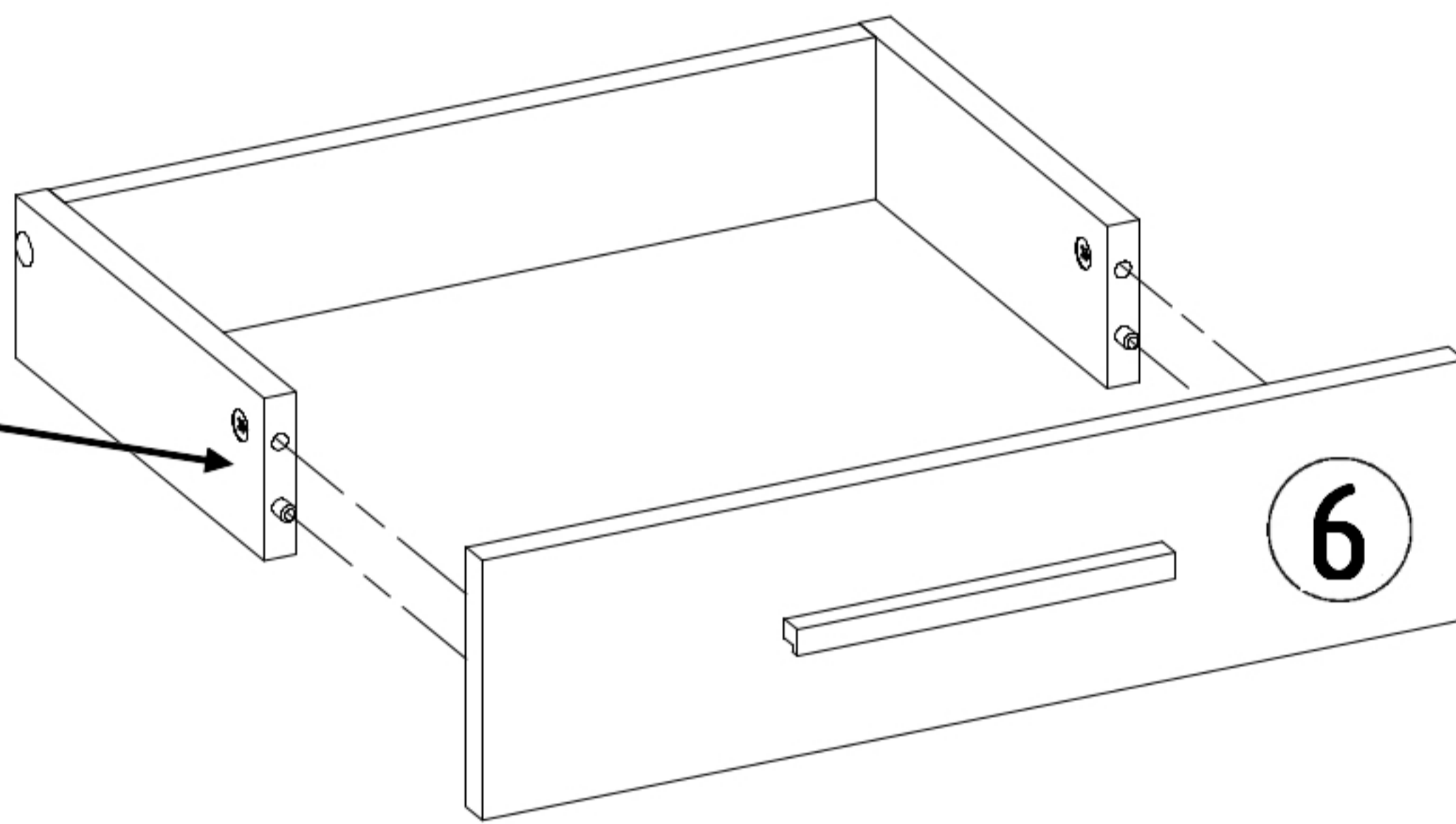
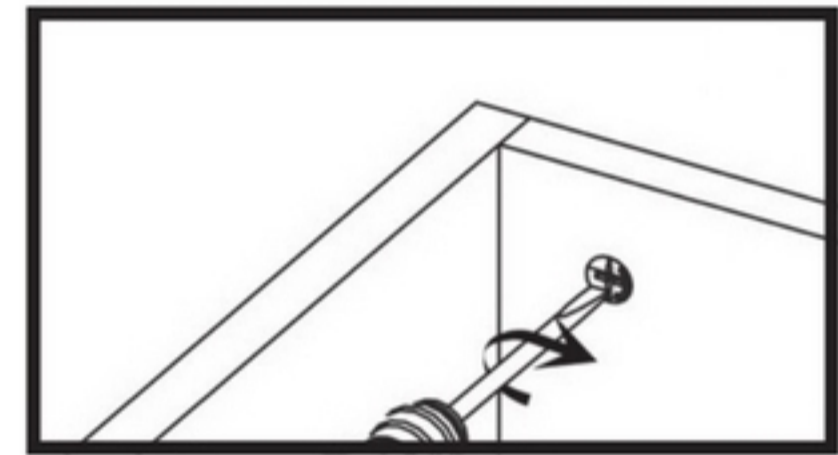
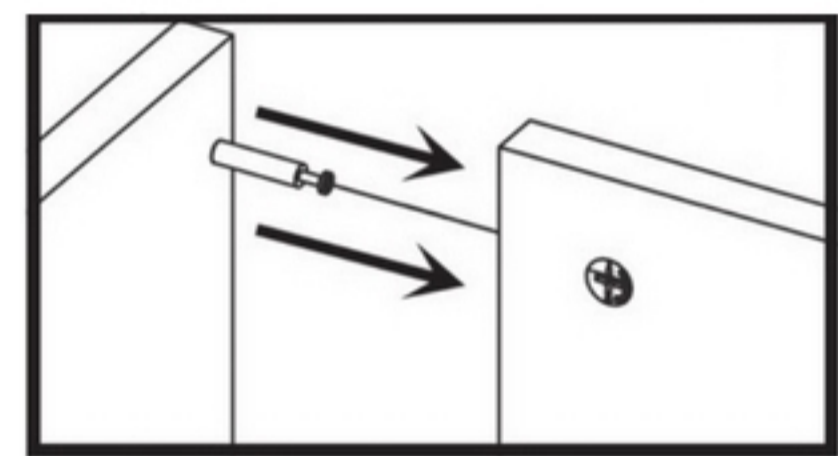
K1

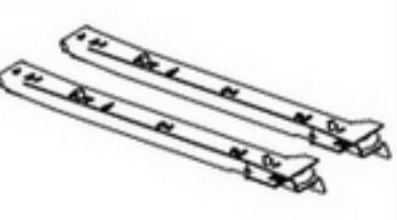





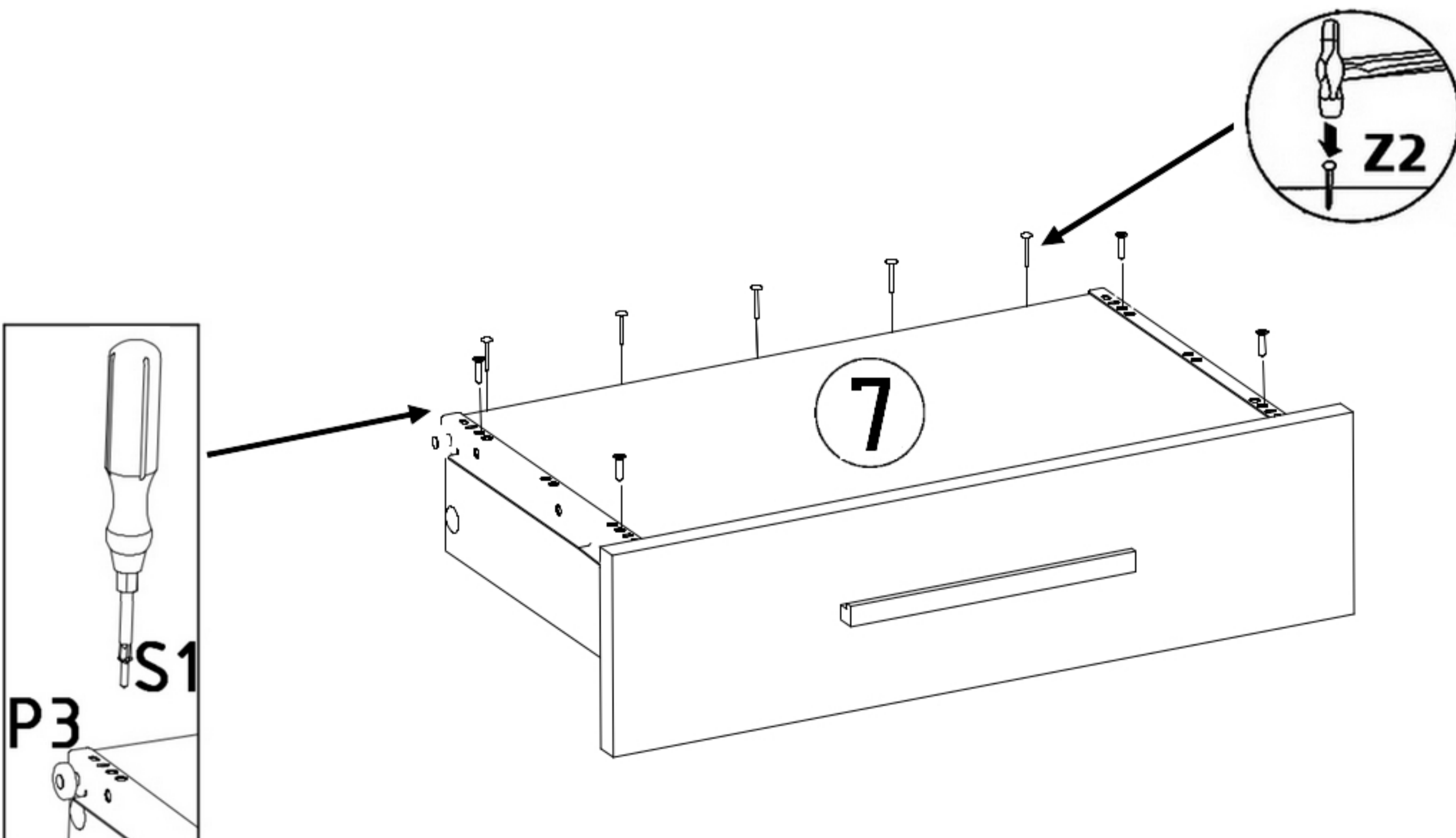
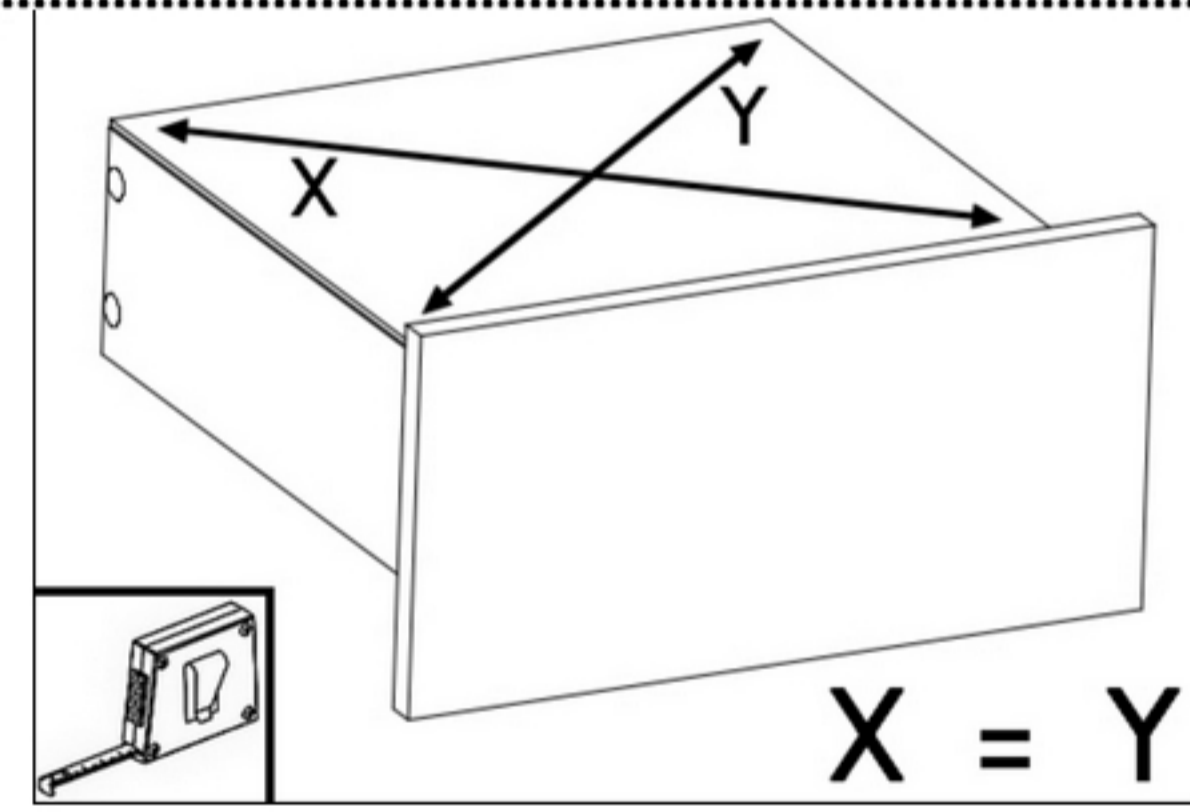
N2  20,3 x 2	U6  x 1	S3  4x27 x 2
-----------------------------------------------------------------------------------------------------------	-------------------------------------------------------------------------------------------------------	------------------------------------------------------------------------------------------------------------


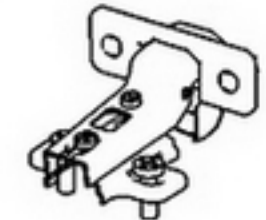




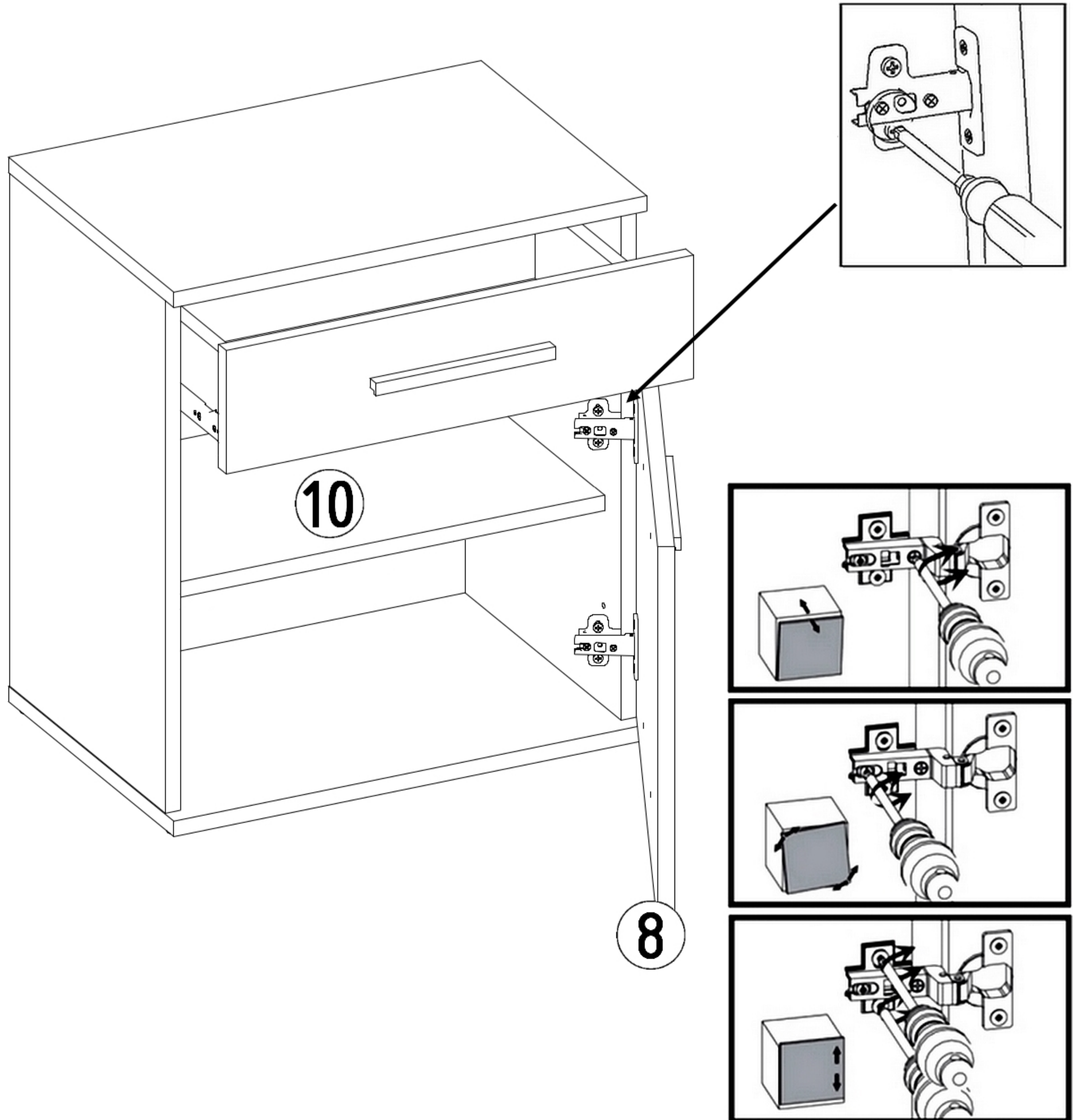
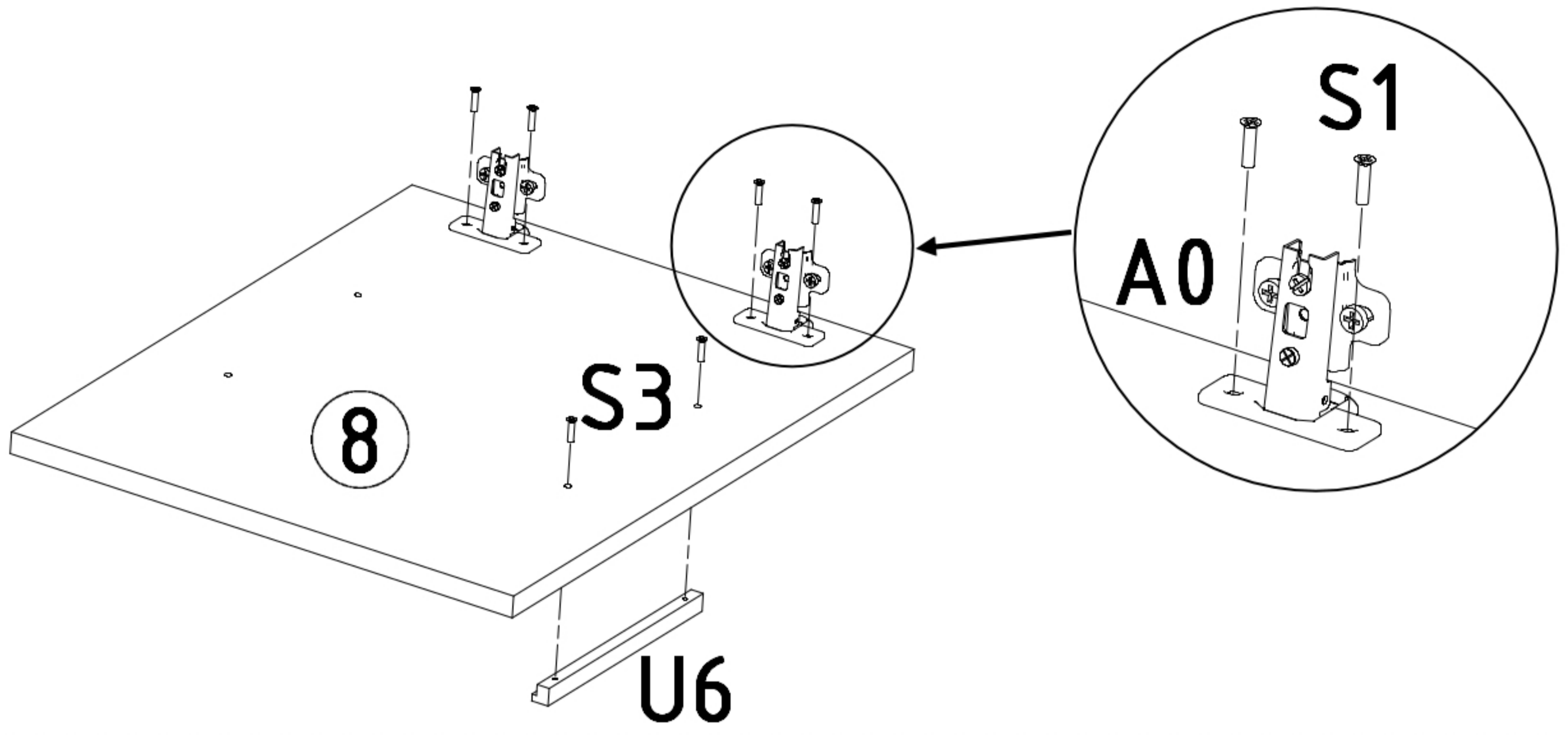
M2  x 2	M3 	M2 
-------------------------------------------------------------------------------------------------------	------------------------------------------------------------------------------------------------	------------------------------------------------------------------------------------------------







P3  L=250 x 1	S1  3,5x16 x 4	Z2  x 5
--------------------------------------------------------------------------------------------------------------	----------------------------------------------------------------------------------------------------------------	---------------------------------------------------------------------------------------------------------

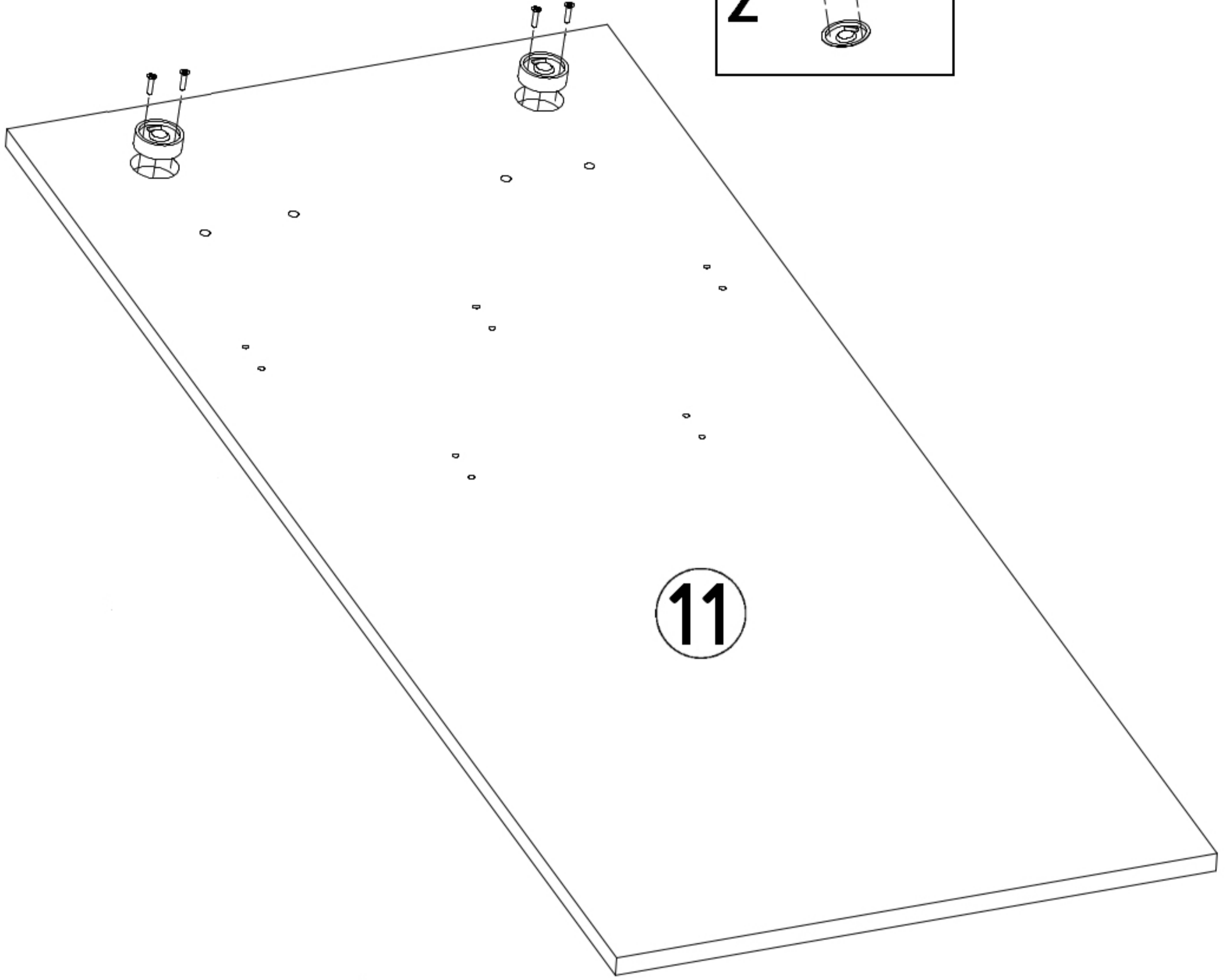


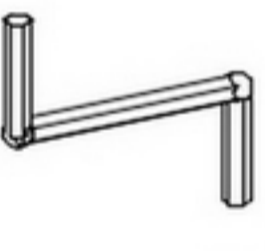



S1  3,5x16 x 4	A0  x 2	U6  x 1	S3  4x27 x 2
-------------------------------------------------------------------------------------------------------------	-------------------------------------------------------------------------------------------------------	-------------------------------------------------------------------------------------------------------	------------------------------------------------------------------------------------------------------------



S15  6x8 x 4	D12  x 2
------------------------------------------------------------------------------------------------------------	--------------------------------------------------------------------------------------------------------

1  D12
2  S15



K1  x 1	F3  x 4
L7  x 5	S3 4x27 x 10 

F2

K1