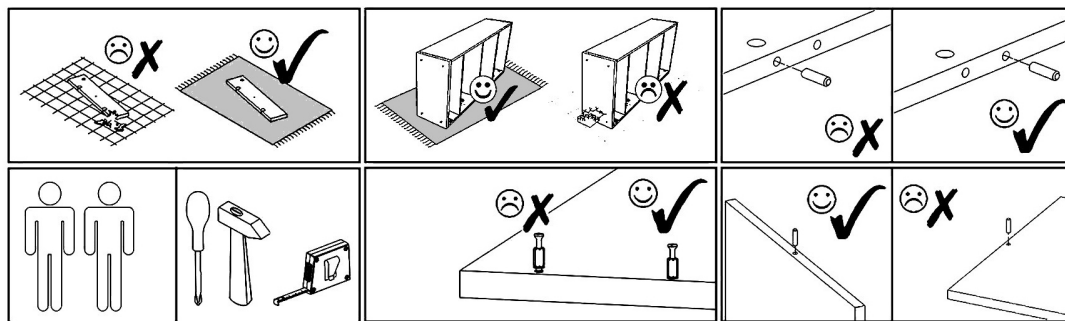
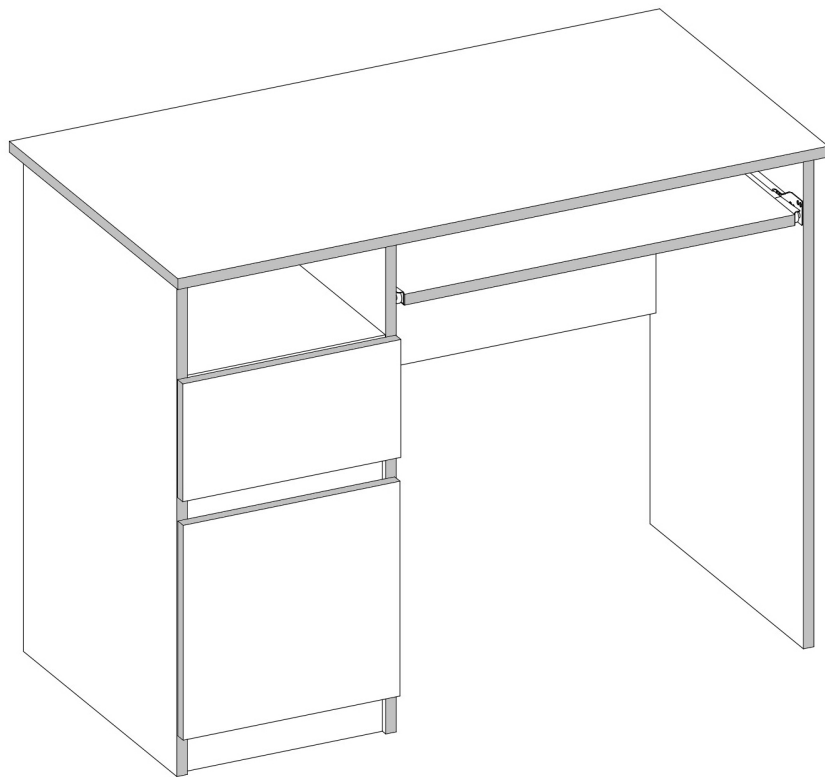


BIURKO_PORTO_LEWE

| | |
|-----------------|--------------|
| PRODUCTION DATE | PACKING CODE |
| | |



| | | |
|----------------------------------|------------------------|-----------------------------|
| B2 K ø12/4mm x2 | A1 ZP x2 | V16 5x16mm x4 |
|----------------------------------|------------------------|-----------------------------|

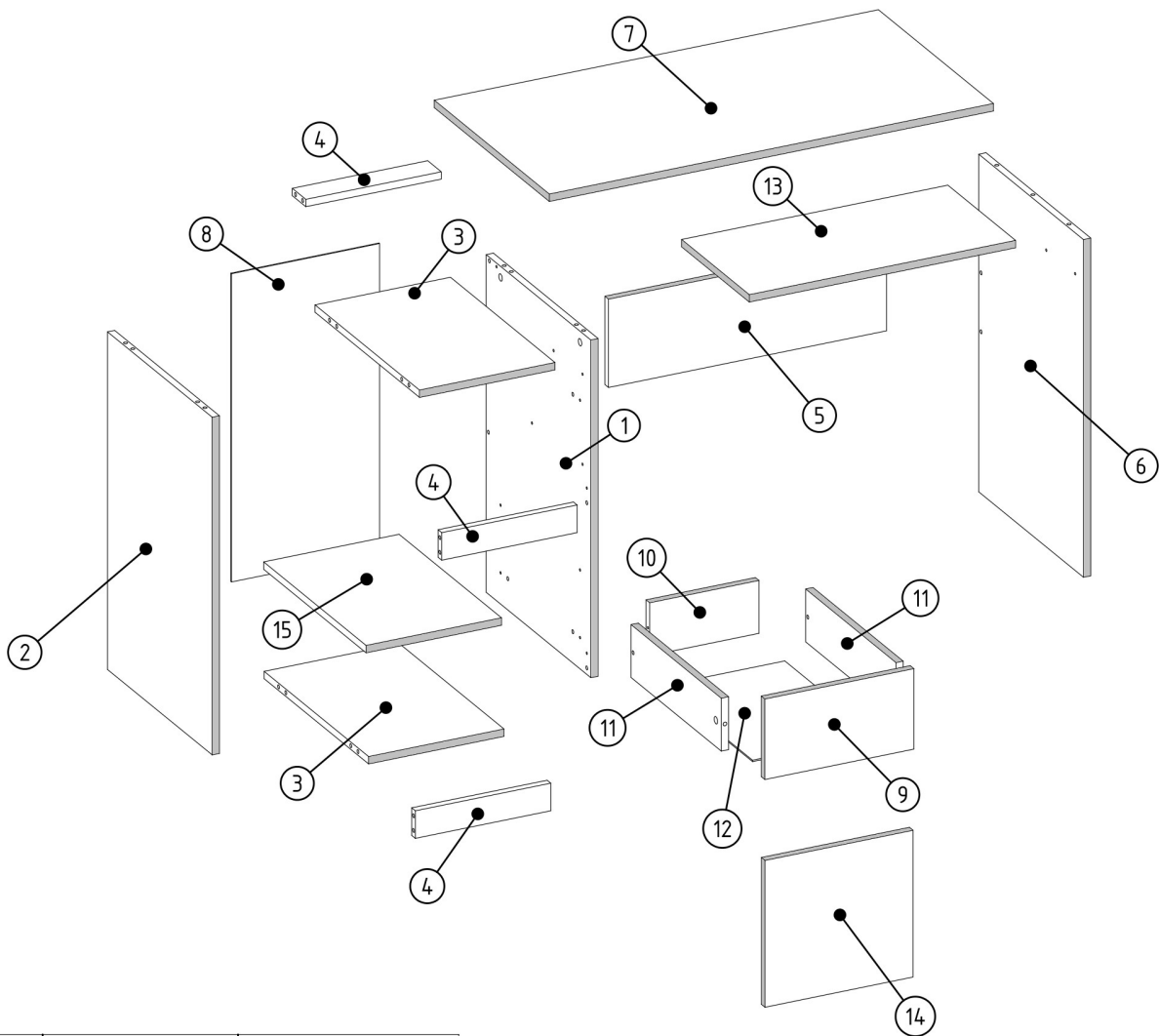
| | | | | | | | |
|----------------------|-----------------------------|-----------------------------|----------------------|----------------------------------|----------------------------------|------------------------------------|------------------------------------|
| Z1 x40 | P4 L=400mm x1 | P2 L=300mm x1 | V12 x1 | B1 B ø17/4mm x2 | B2 B ø12/4mm x2 | B2 S/A ø12/4mm x2 | B2 Ant ø12/4mm x2 |
|----------------------|-----------------------------|-----------------------------|----------------------|----------------------------------|----------------------------------|------------------------------------|------------------------------------|

| | | | | | | | |
|------------------------------|-----------------------------|-----------------------------|----------------------------|-----------------------------|---------------------------|-------------------------------|---------------------|
| M1 12x15mm x20 | N1 L=35mm x20 | E1 8x30mm x21 | F1 7x50mm x6 | F3 Hex 4mm x1 | R1 6x8mm x8 | S1 3,5x16mm x14 | T1 x6 |
|------------------------------|-----------------------------|-----------------------------|----------------------------|-----------------------------|---------------------------|-------------------------------|---------------------|


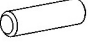





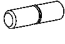
BIURKO_PORTO_LEWE

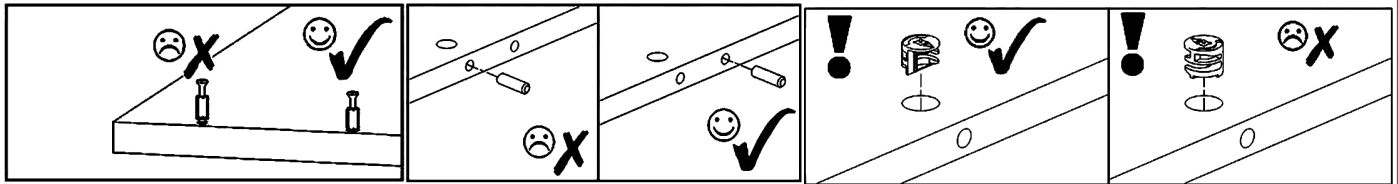
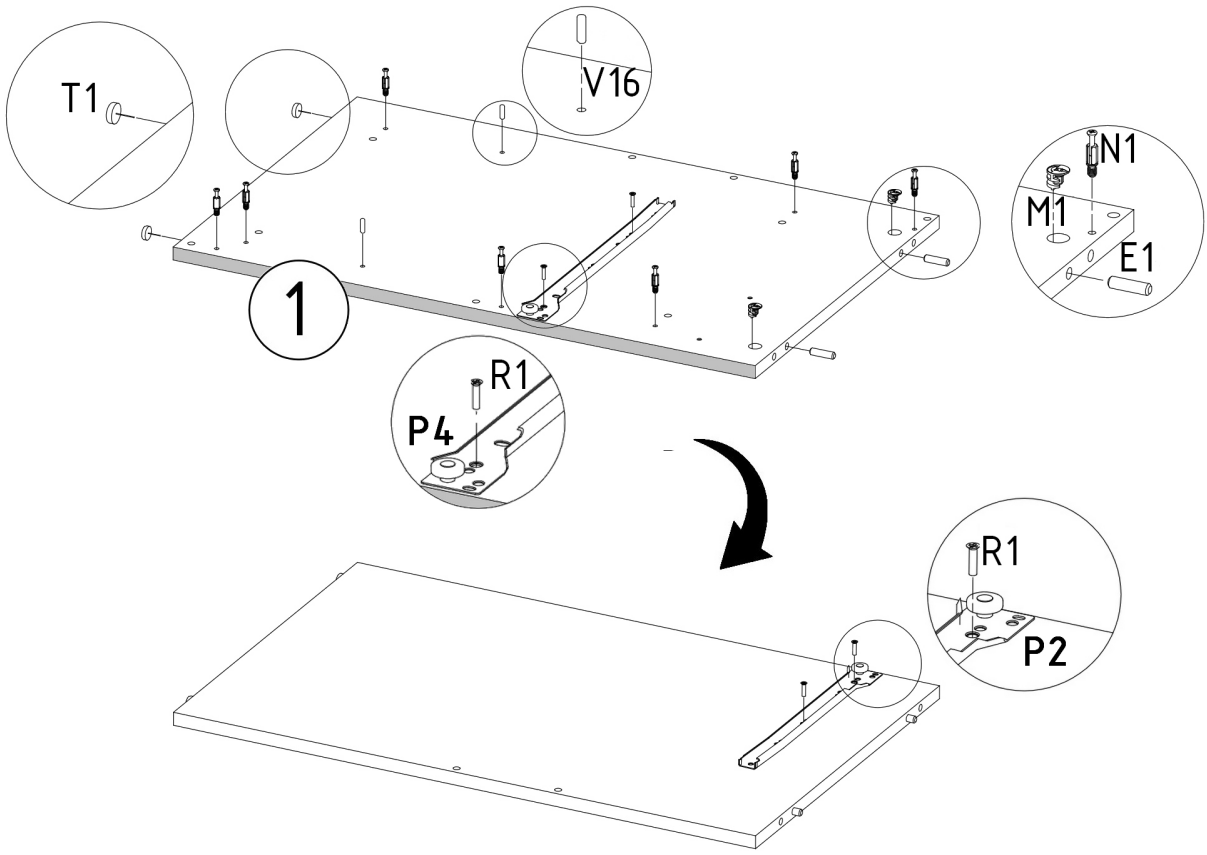
PRODUCTION DATE


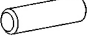
PACKING CODE

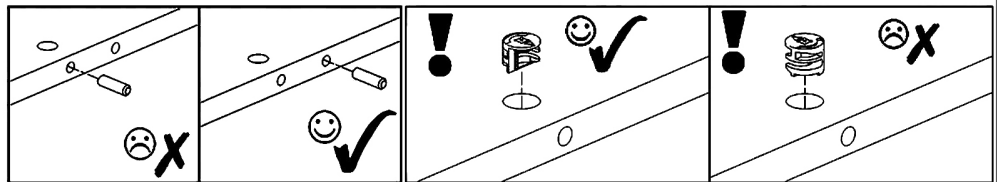
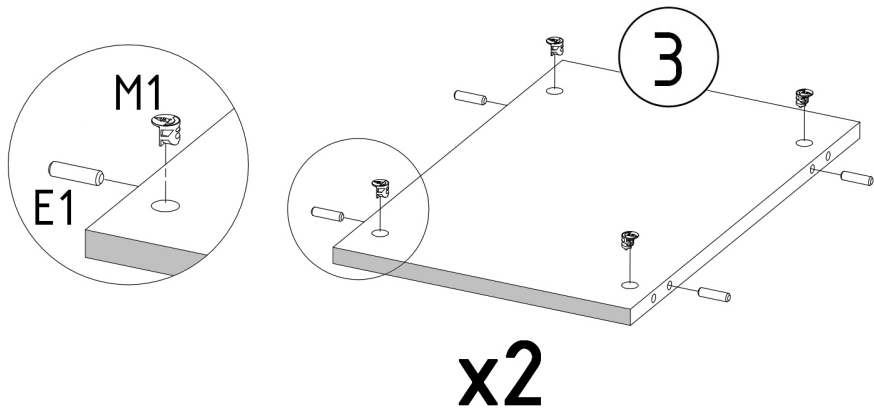


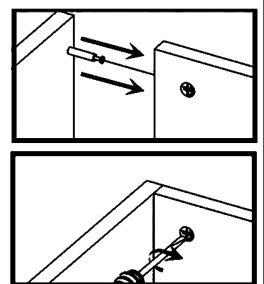
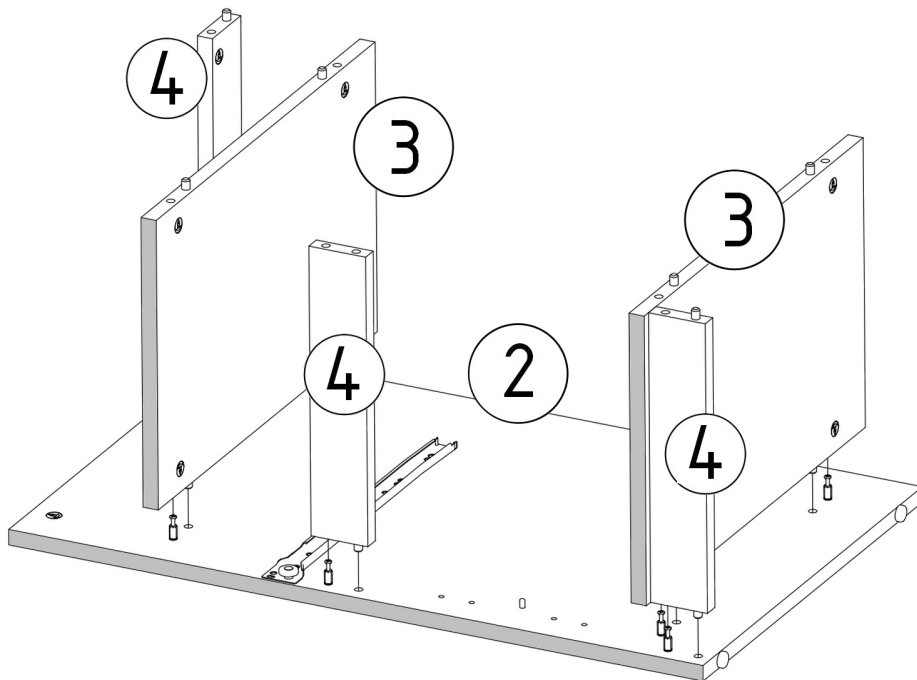
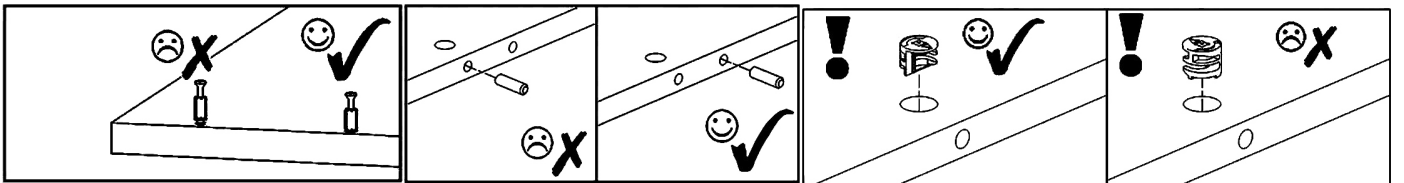
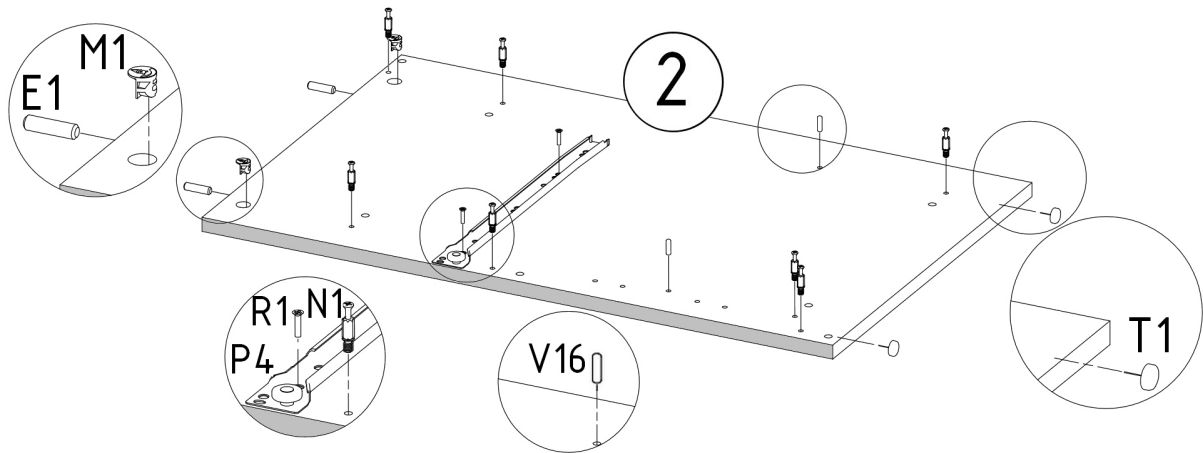
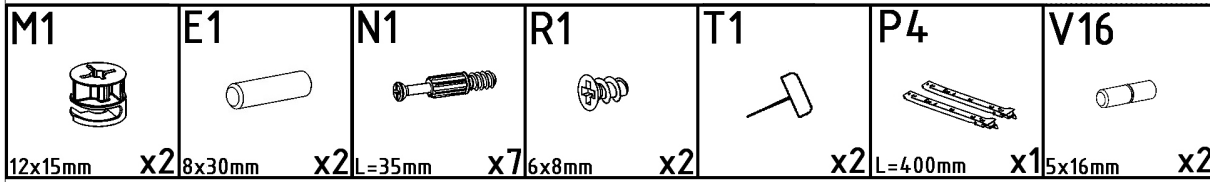
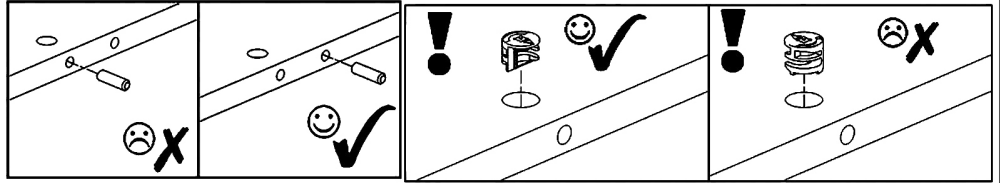
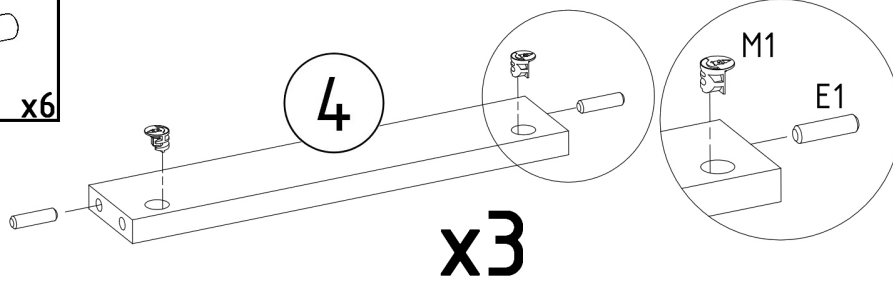
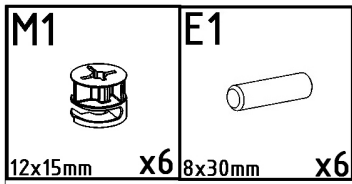
| | | |
|--------|--------|----------|
| 001216 | 15 | 1 |
| 001570 | 14 | 1 |
| 000119 | 13 | 1 |
| 000021 | 12 | 1 |
| 000084 | 11 | 2 |
| 001218 | 10 | 1 |
| 001569 | 9 | 1 |
| 001568 | 8 | 1 |
| 000424 | 7 | 1 |
| 001572 | 6 | 1 |
| 000133 | 5 | 1 |
| 000030 | 4 | 3 |
| 001219 | 3 | 2 |
| 001573 | 2 | 1 |
| 001571 | 1 | 1 |
| ID | NUMBER | QUANTITY |

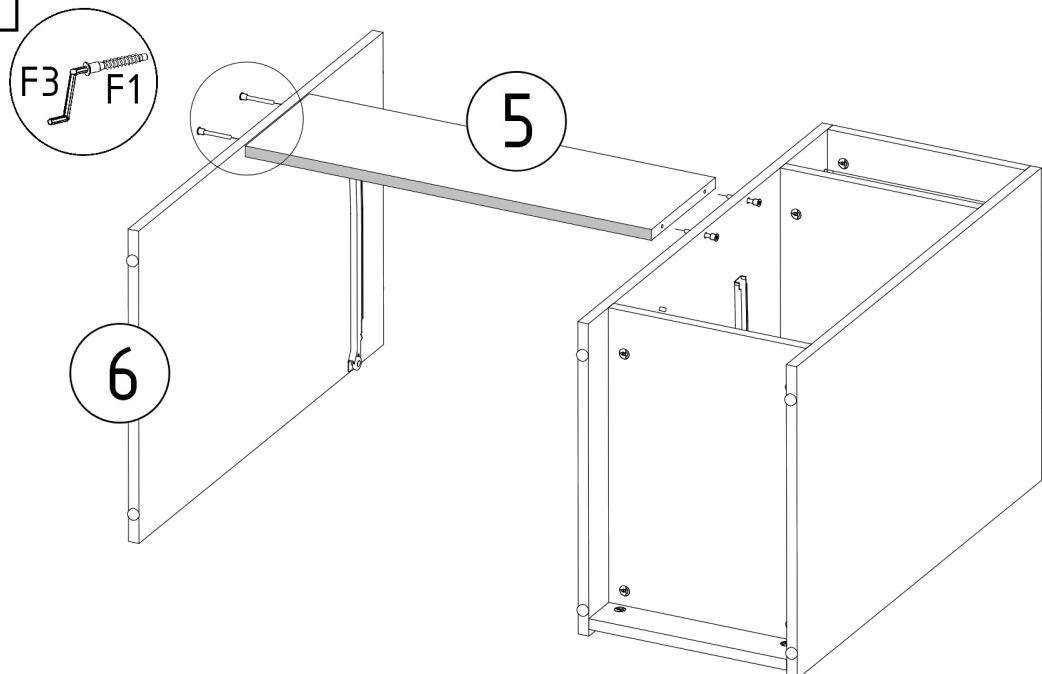
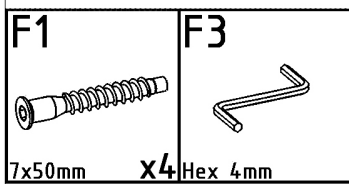
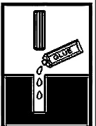
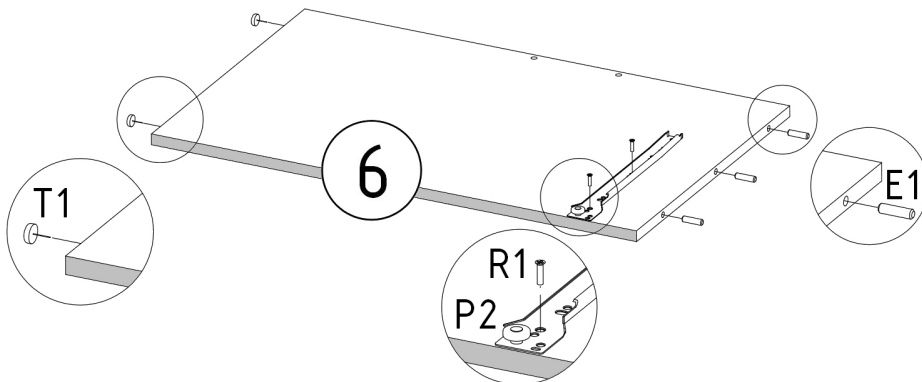
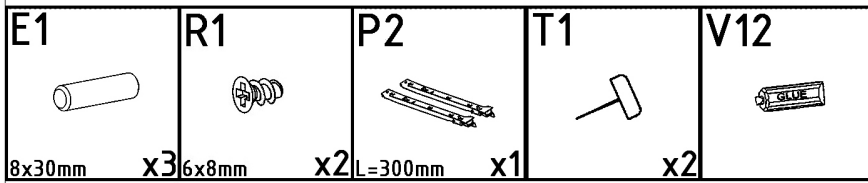
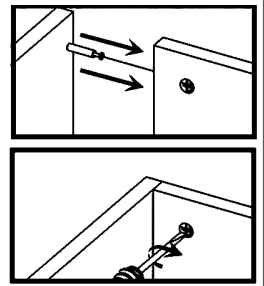
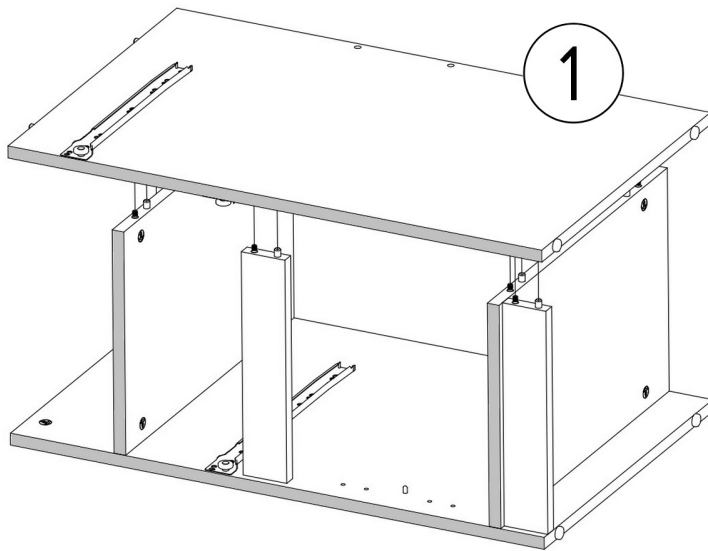
| | | | | | | | |
|--|---|---|--|--|---|--|--|
| M1  12x15mm x2 | E1  8x30mm x2 | N1  L=35mm x2 | R1  6x8mm x4 | T1  x2 | P4  L=400mm x1 | P2  L=300mm x1 | V16  5x16mm x2 |
|--|---|---|--|--|---|--|--|



| | |
|--|---|
| M1  12x15mm x8 | E1  8x30mm x8 |
|--|---|



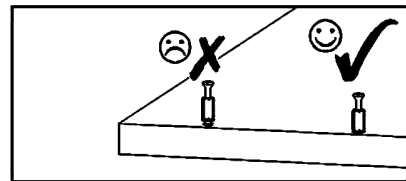
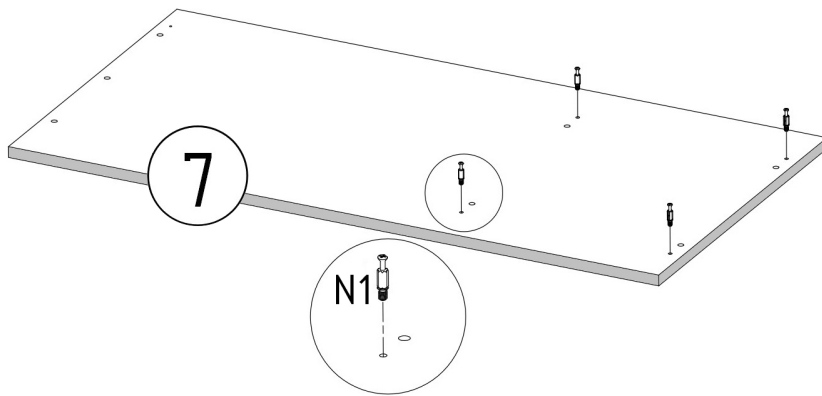




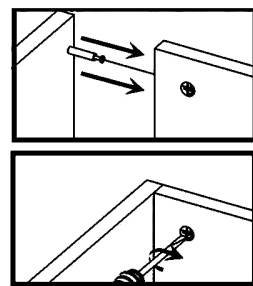
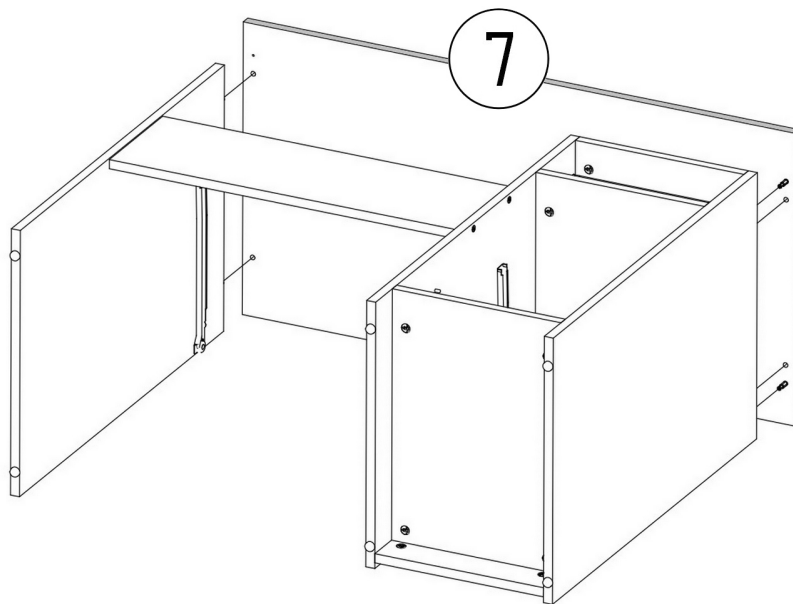
N1



L=35mm X4



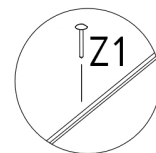
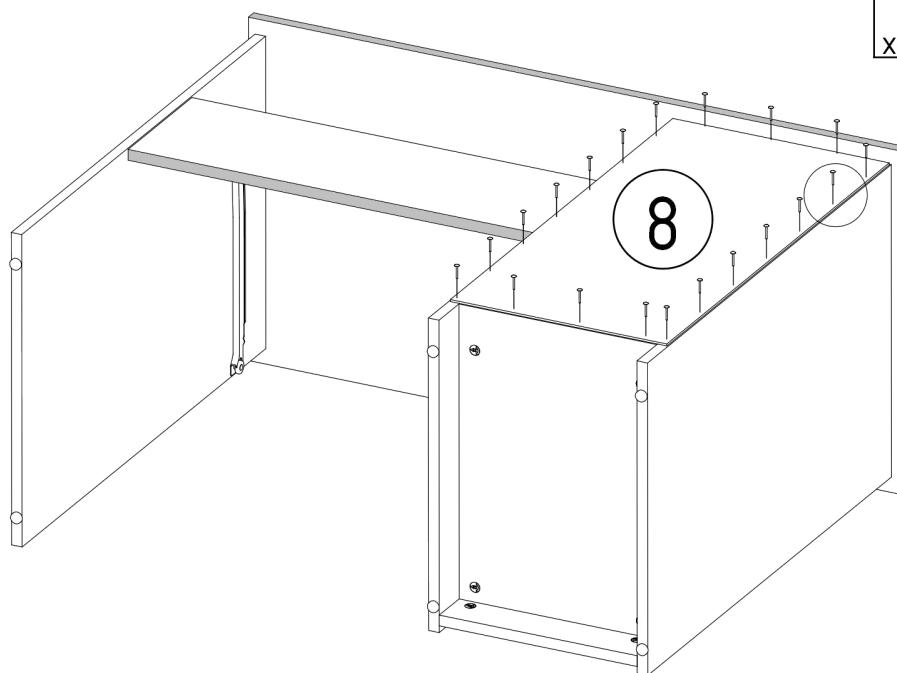
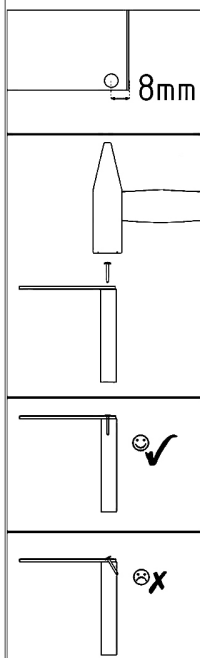
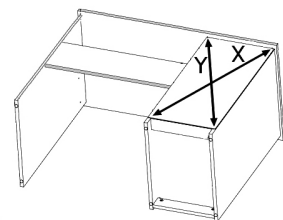
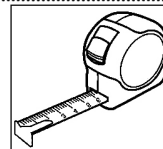
V12



Z1



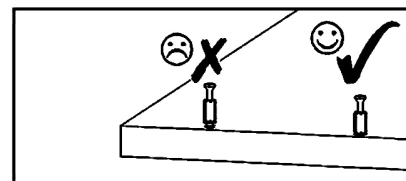
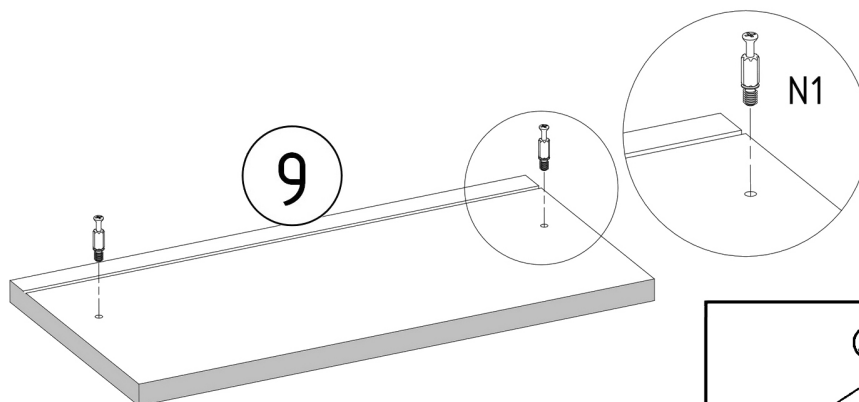
x34



N1



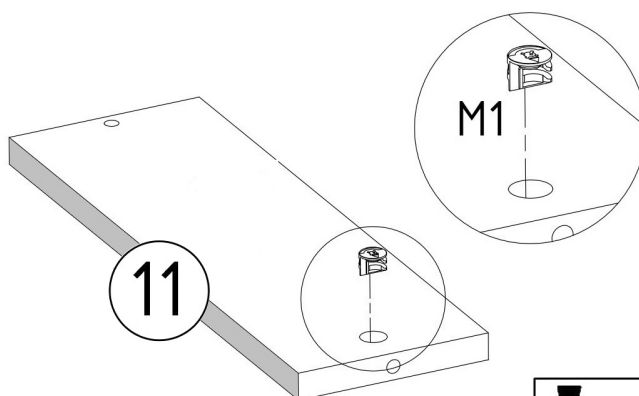
L=35mm x2



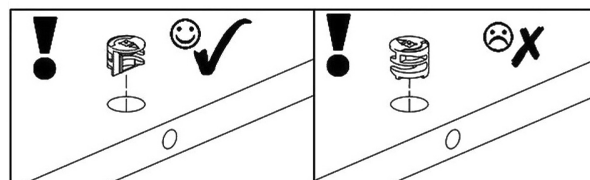
M1



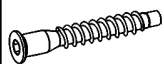
12x15mm x2



x2

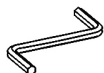


F1

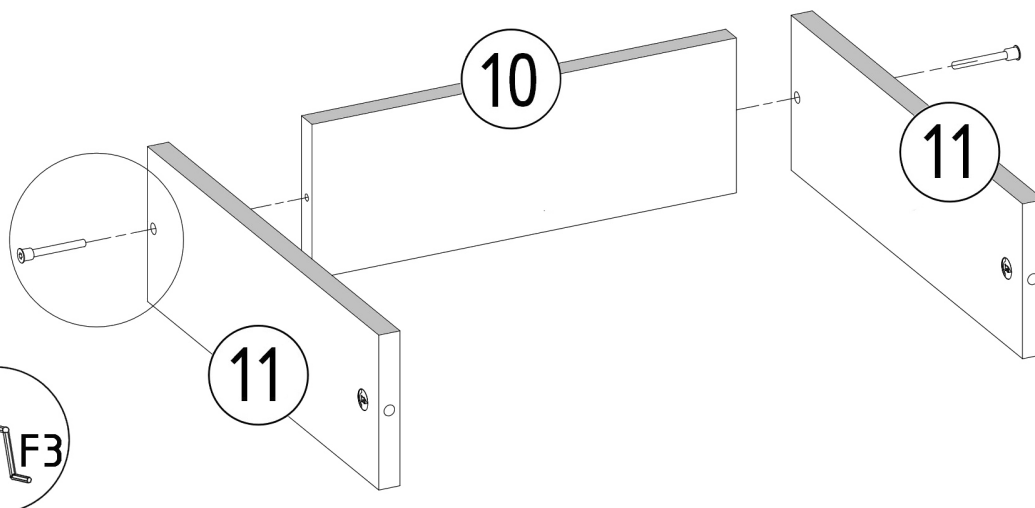


7x50mm x2

F3

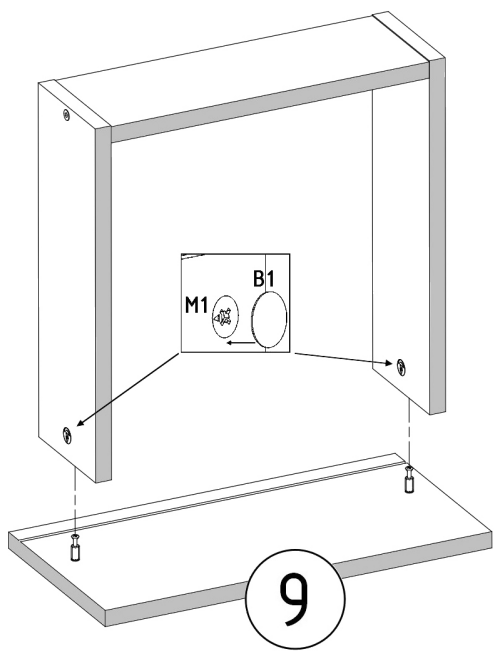


Hex 4mm



B1

ø17.4mm x2



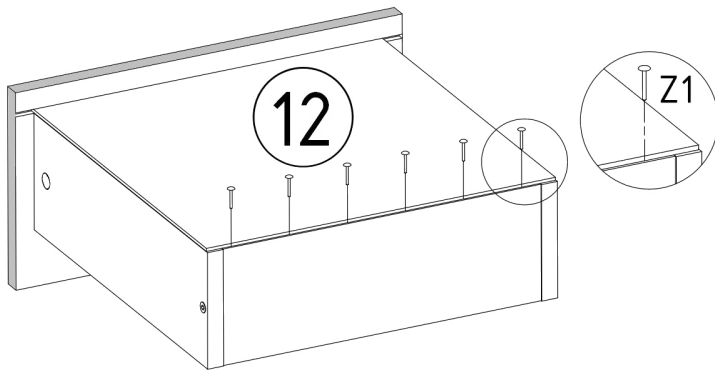
1.

2.

Z1

x6

X=Y



8mm

S1

3,5x16mm x4

P4

L=400mm x1

