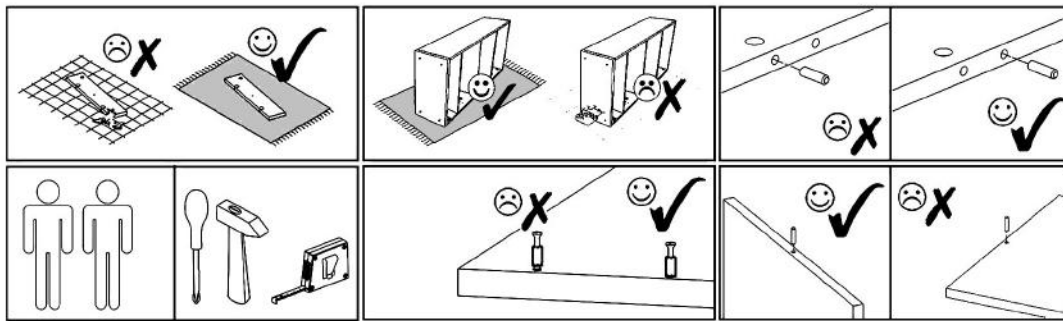
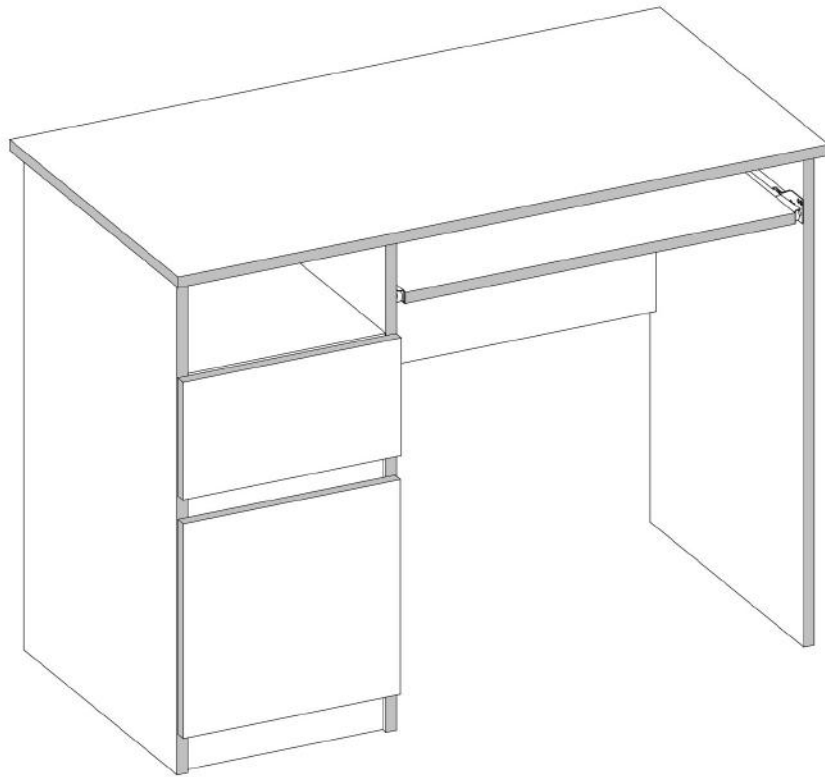





















BIURKO_PORTO_LEWE

PRODUCTION DATE	PACKING CODE



B2  K ø12/4mm x2	A1  ZP x2	V16  5x16mm x4
--	---	--

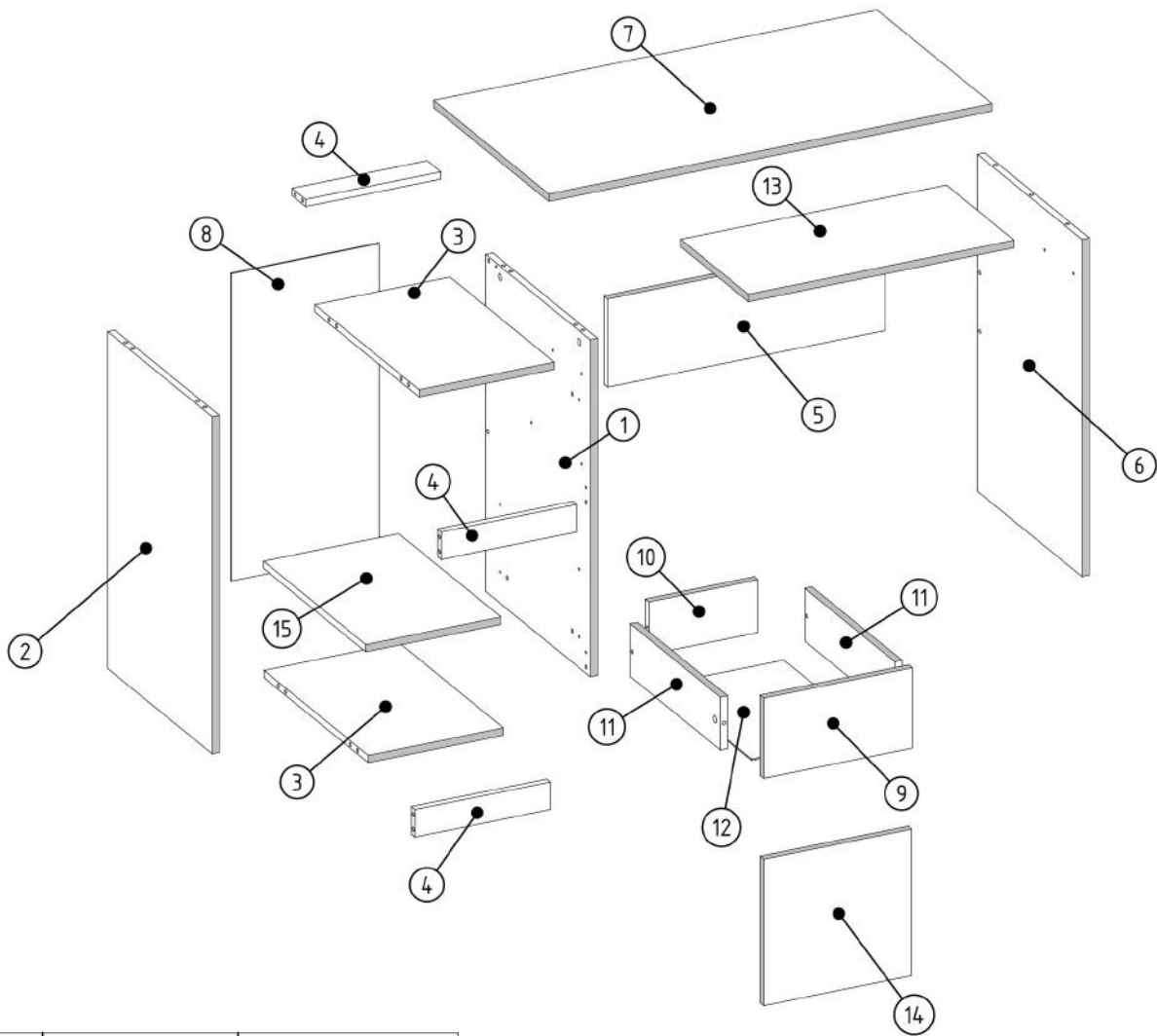
Z1  x40	P4  L=400mm x1	P2  L=300mm x1	V12  x1	B1  B ø17/4mm x2	B2  B ø12/4mm x2	B2  S/A ø12/4mm x2	B2  Ant ø12/4mm x2
--	--	--	---	---	--	---	---

M1  12x15mm x20	N1  L=35mm x20	E1  8x30mm x21	F1  7x50mm x6	F3  Hex 4mm x1	R1  6x8mm x8	S1  3,5x16mm x14	T1  x6
--	--	--	---	--	---	--	--









BIURKO_PORTO_LEWE

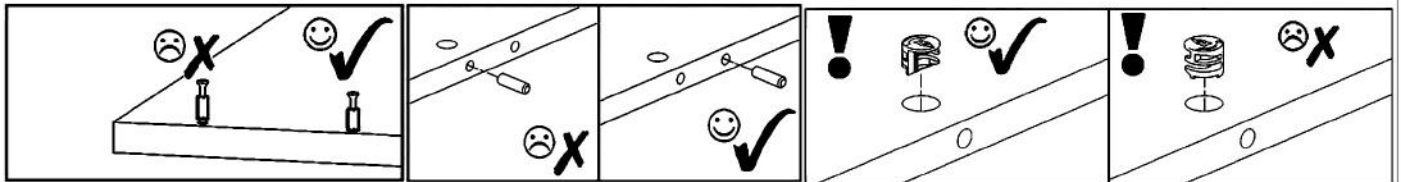
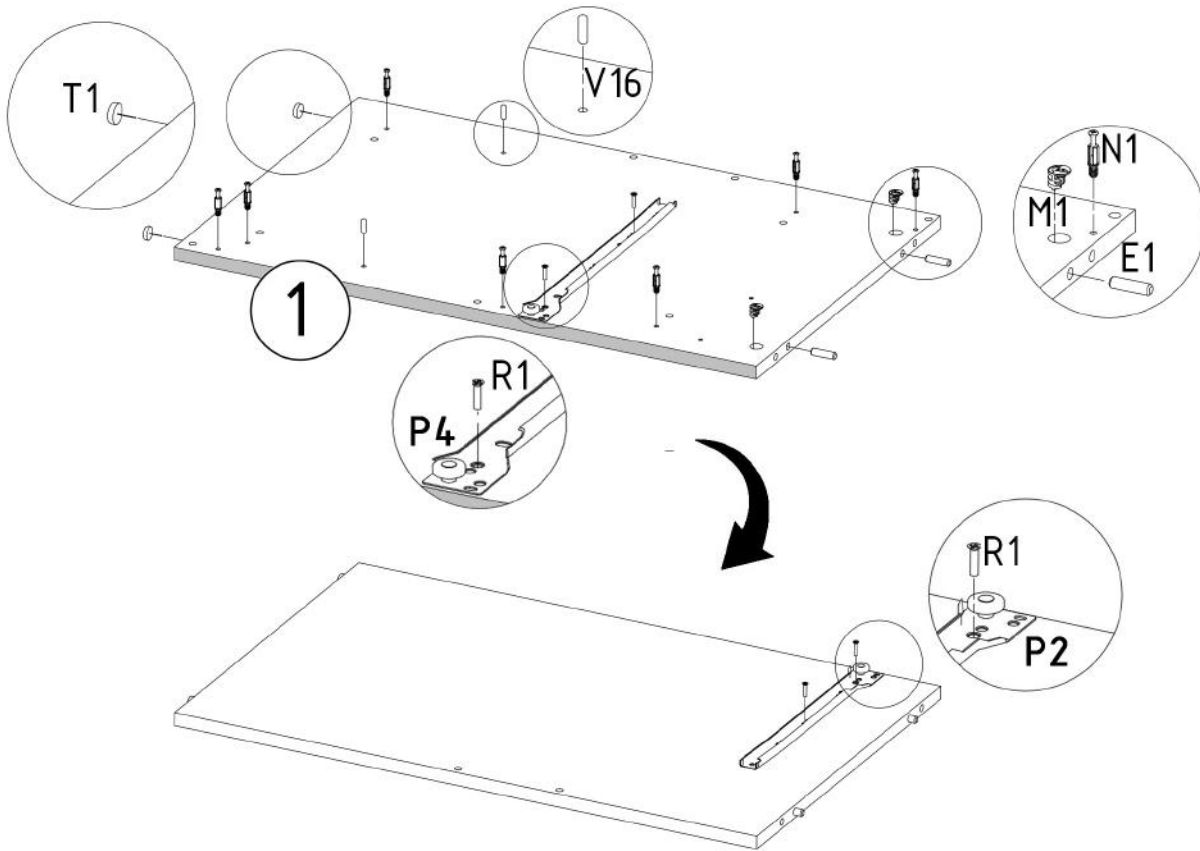
PRODUCTION DATE



PACKING CODE

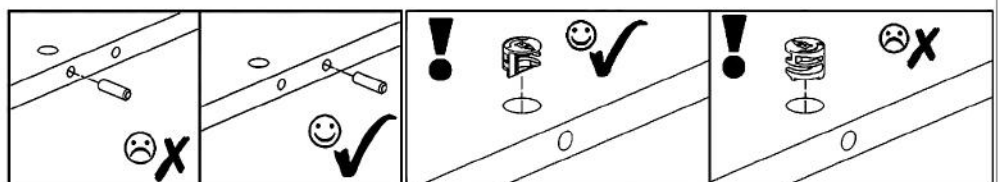
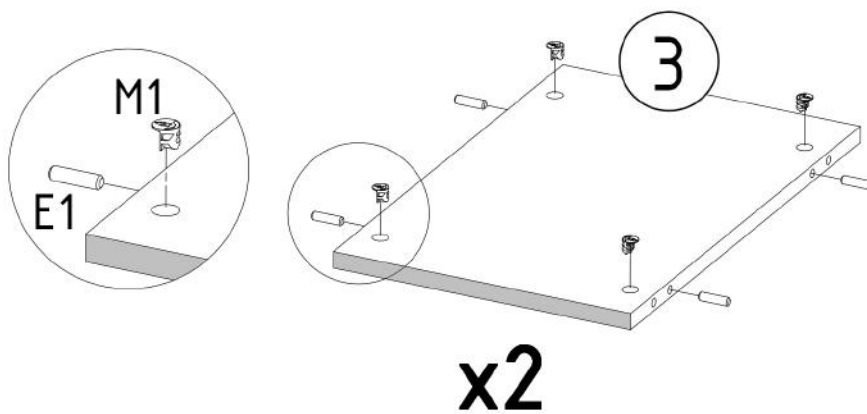


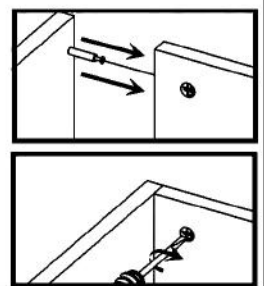
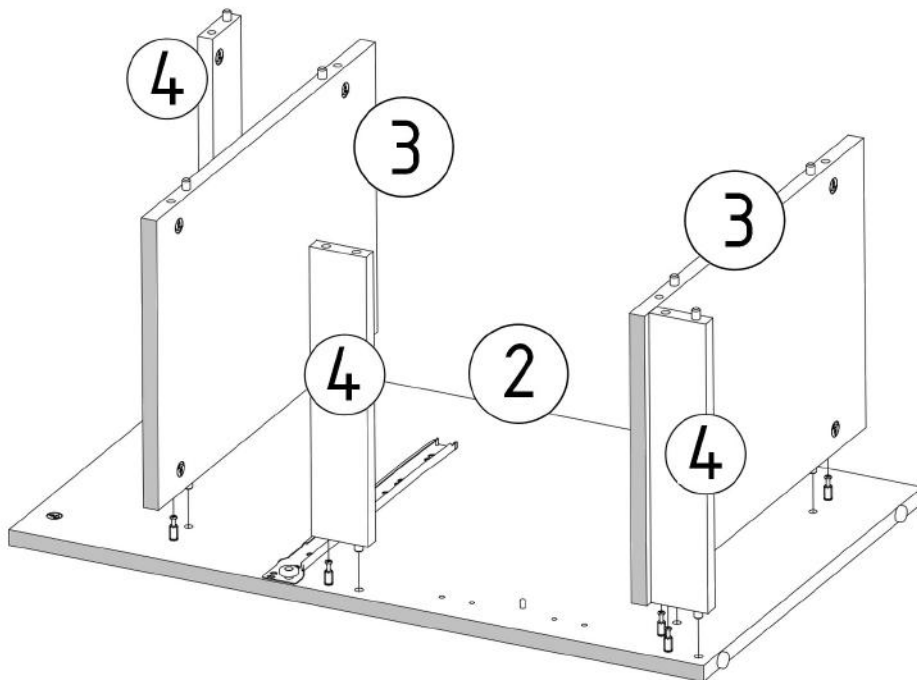
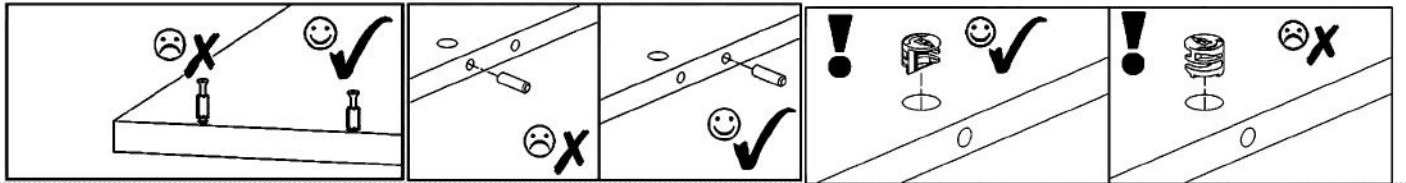
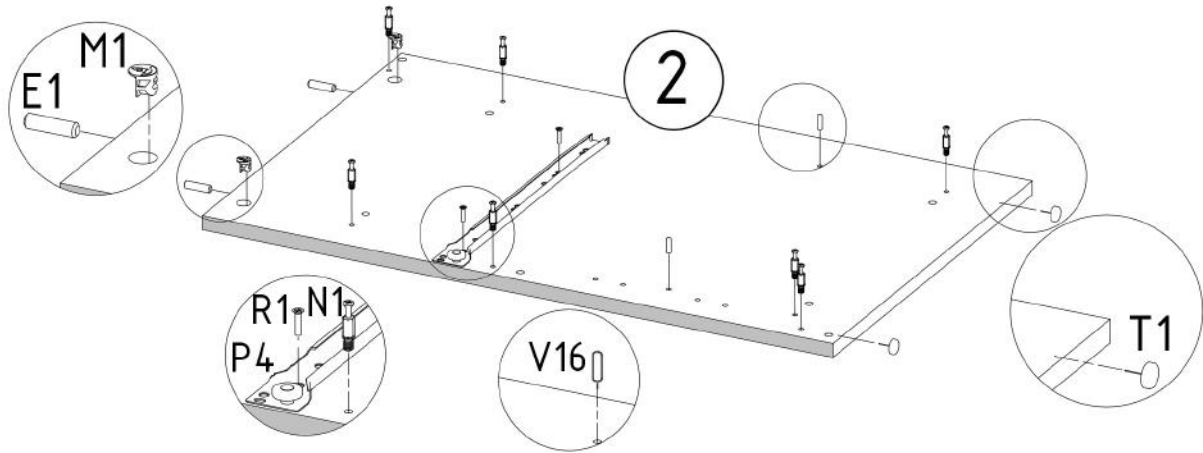
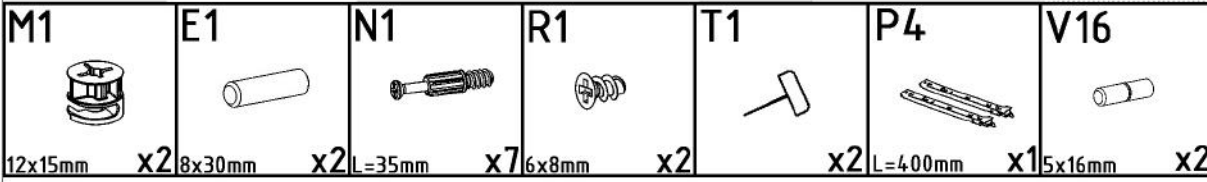
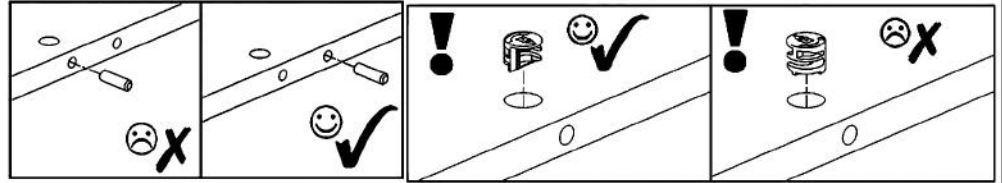
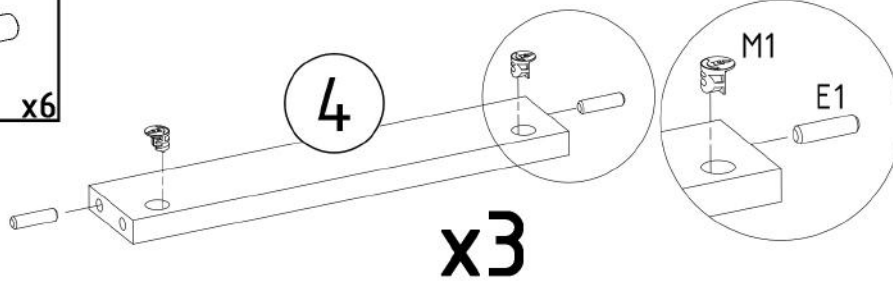
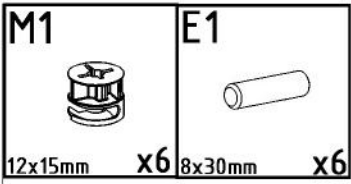
001216	15	1
001570	14	1
000119	13	1
000021	12	1
000084	11	2
001218	10	1
001569	9	1
001568	8	1
000424	7	1
001572	6	1
000133	5	1
000030	4	3
001219	3	2
001573	2	1
001571	1	1
ID	NUMBER	QUANTITY

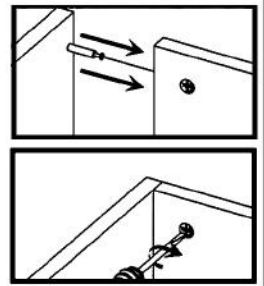
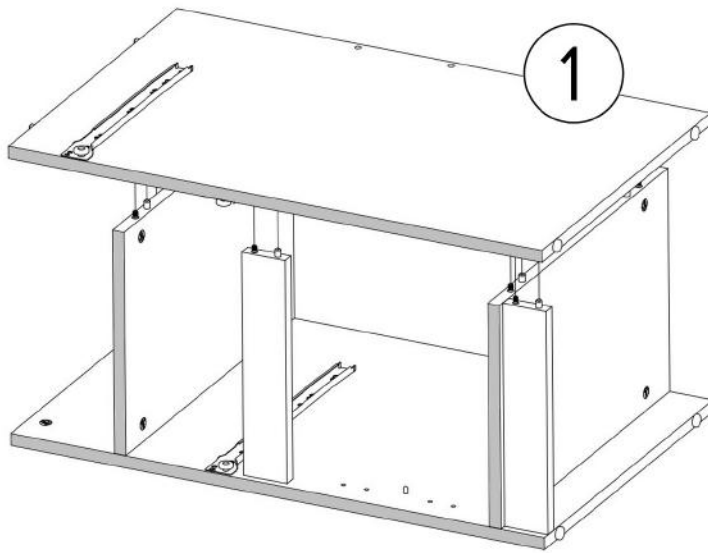
M1  12x15mm	E1  8x30mm	N1  L=35mm	R1  6x8mm	T1  x4	P4  L=400mm	P2  L=300mm	V16  5x16mm
x2	x2	x7	x4	x2	x1	x1	x2








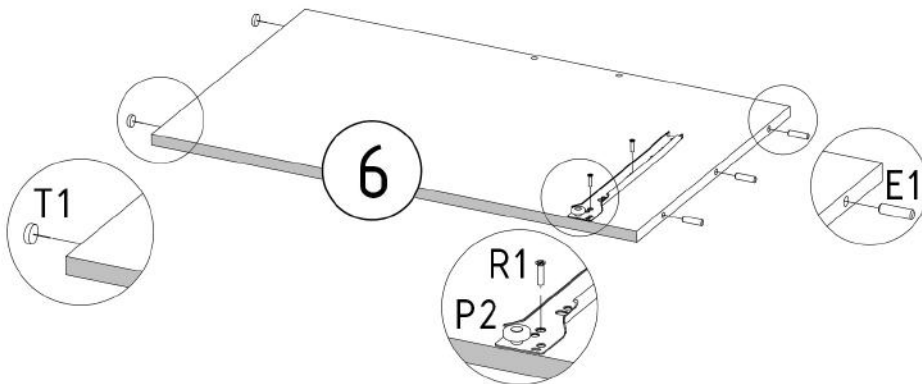
M1  12x15mm	E1  8x30mm
x8	x8





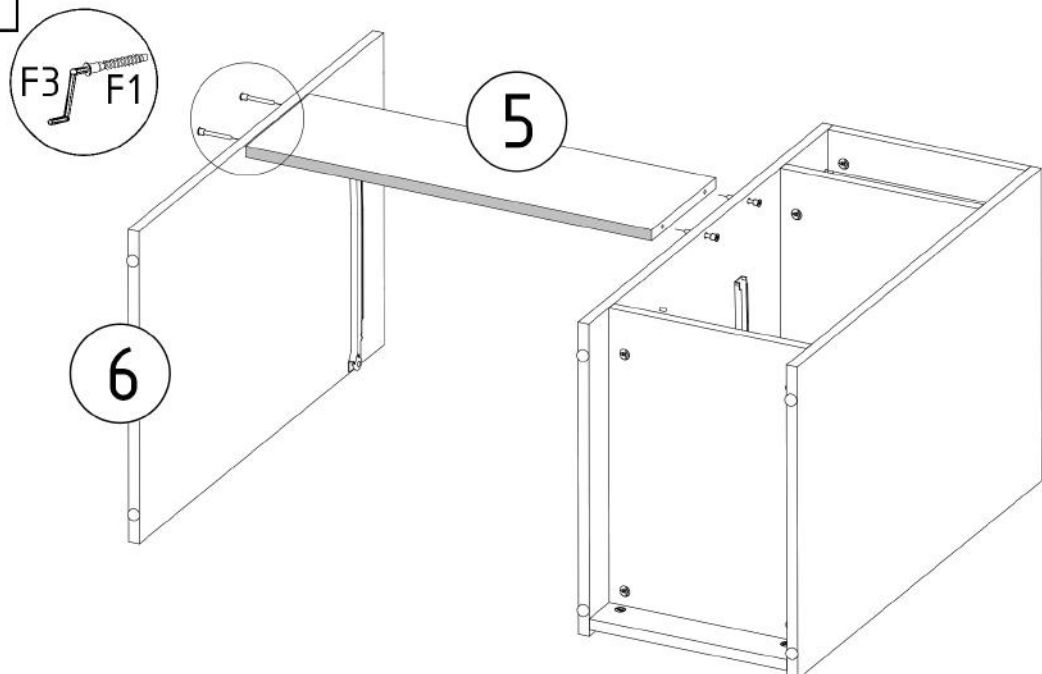




E1  8x30mm x3	R1  6x8mm x2	P2  L=300mm x2	T1  x1	V12  x2
--	--	--	--	---



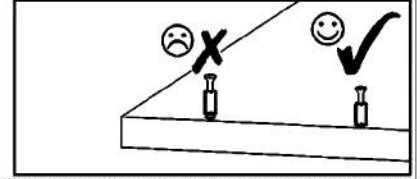
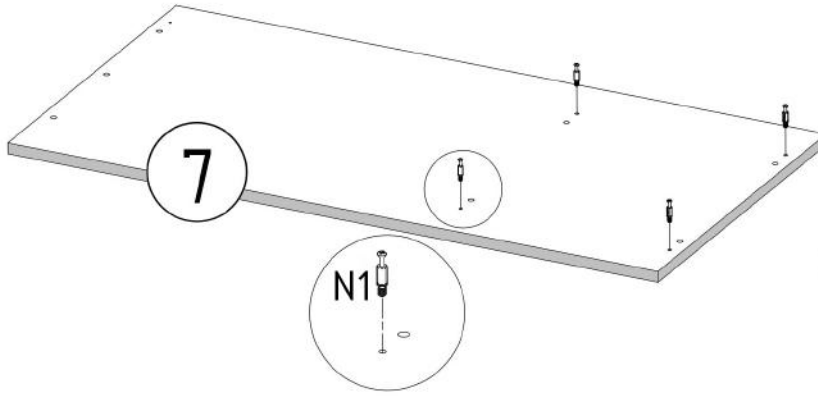
F1  7x50mm x4	F3  Hex 4mm
--	---



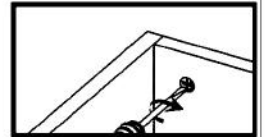
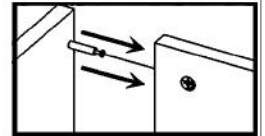
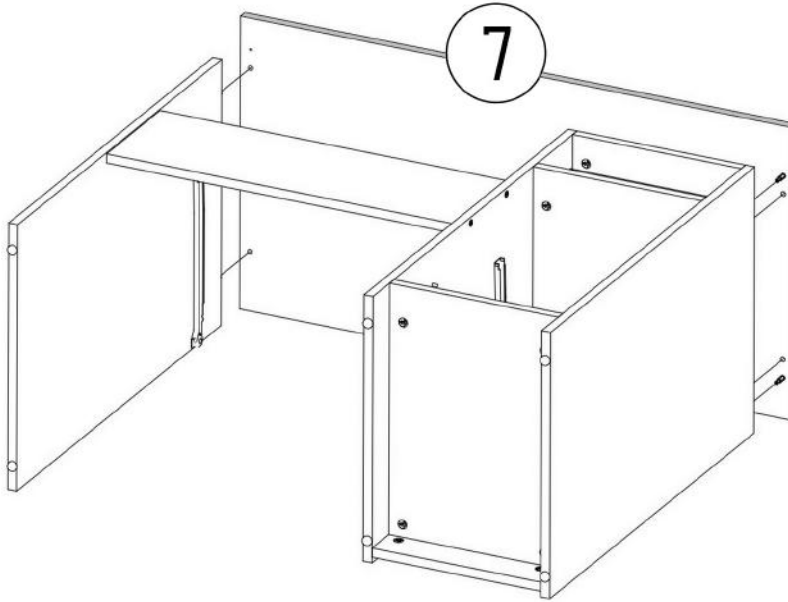
N1



L=35mm X4



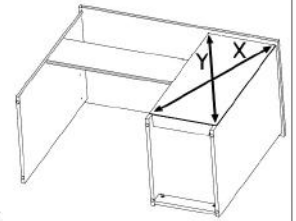
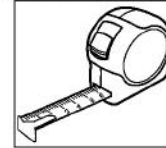
V12



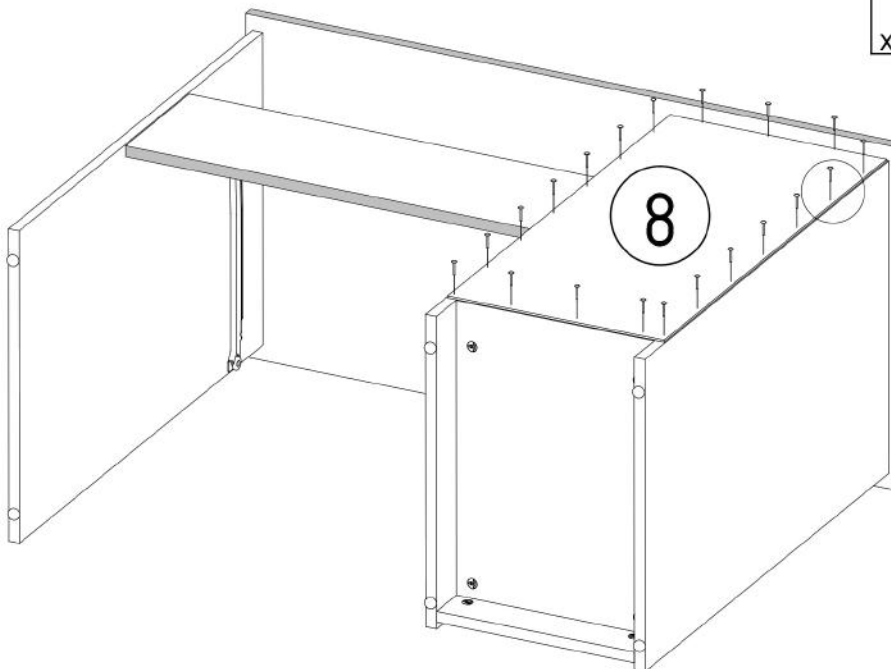
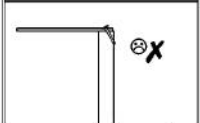
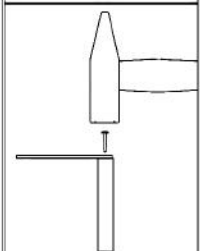
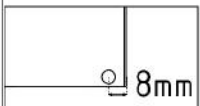
Z1



x34

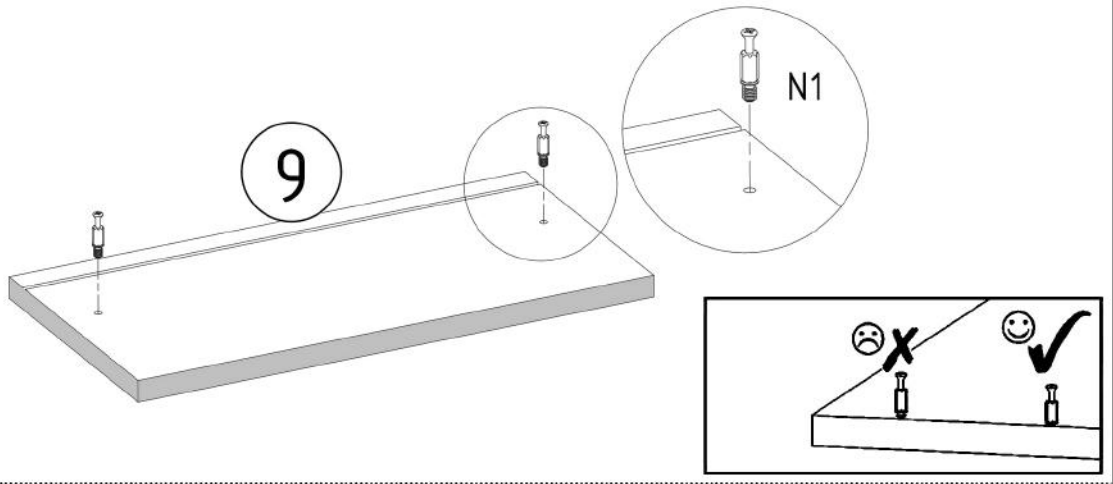


X=Y



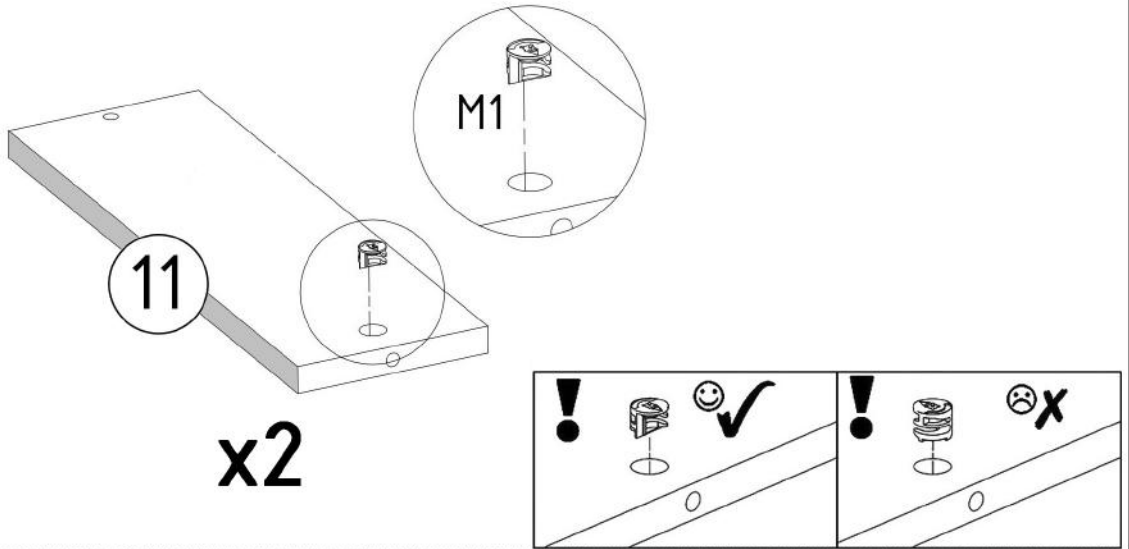
N1


 L=35mm x2




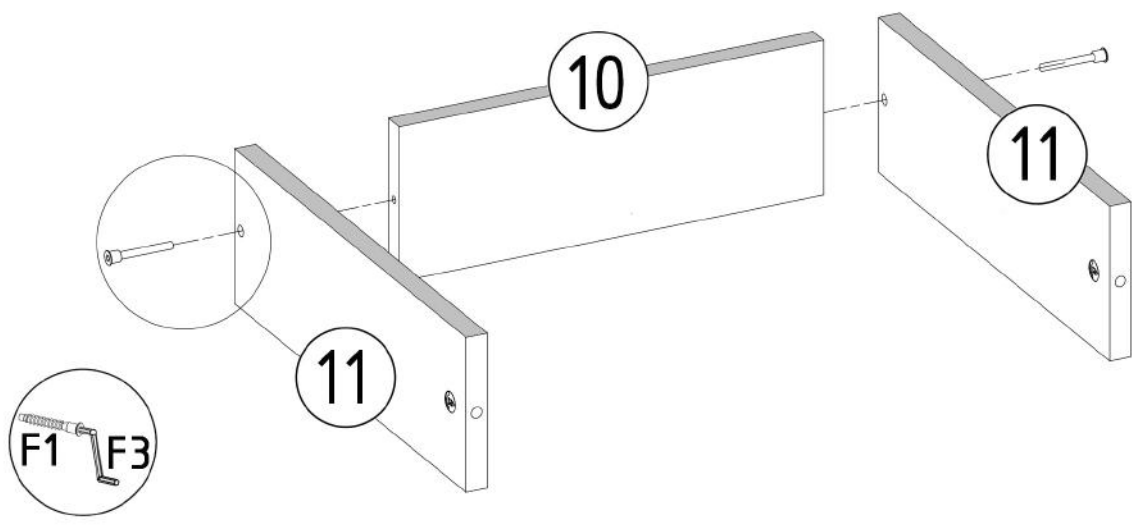
M1

 12x15mm x2

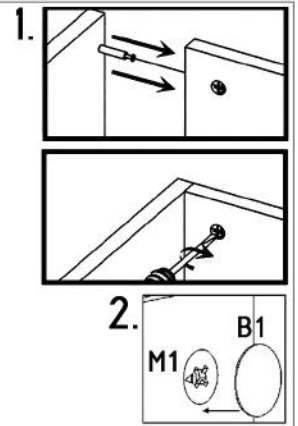
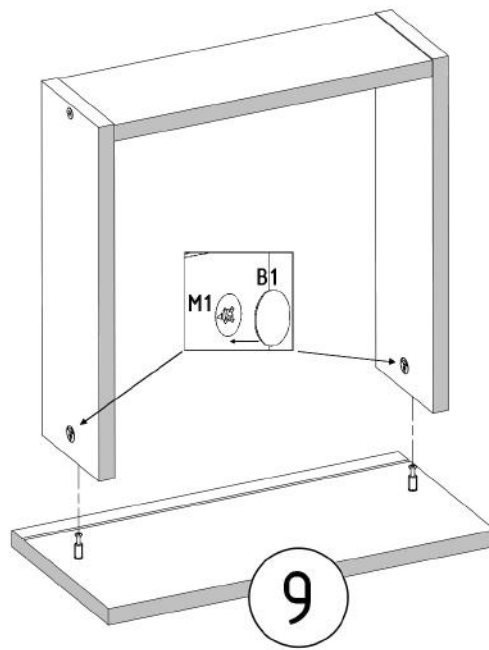


F1 **F3**

 7x50mm x2


 Hex 4mm



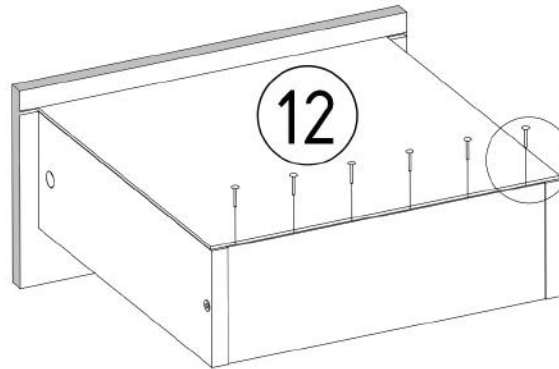
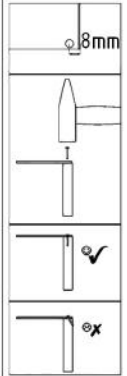
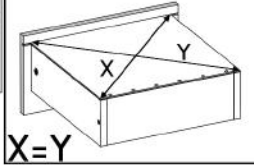
B1


 $\varnothing 17.4\text{mm}$ x2


Z1



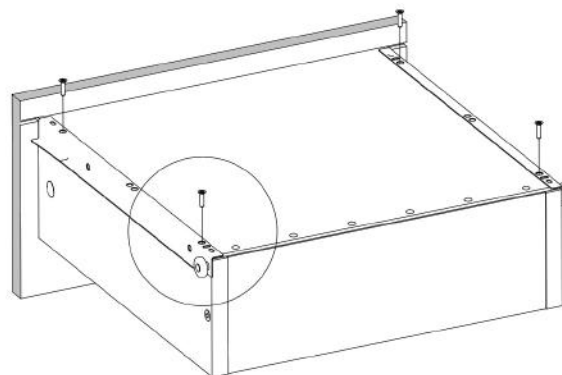
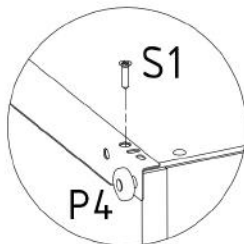
x6

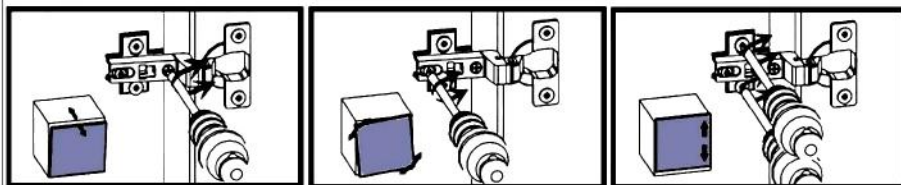
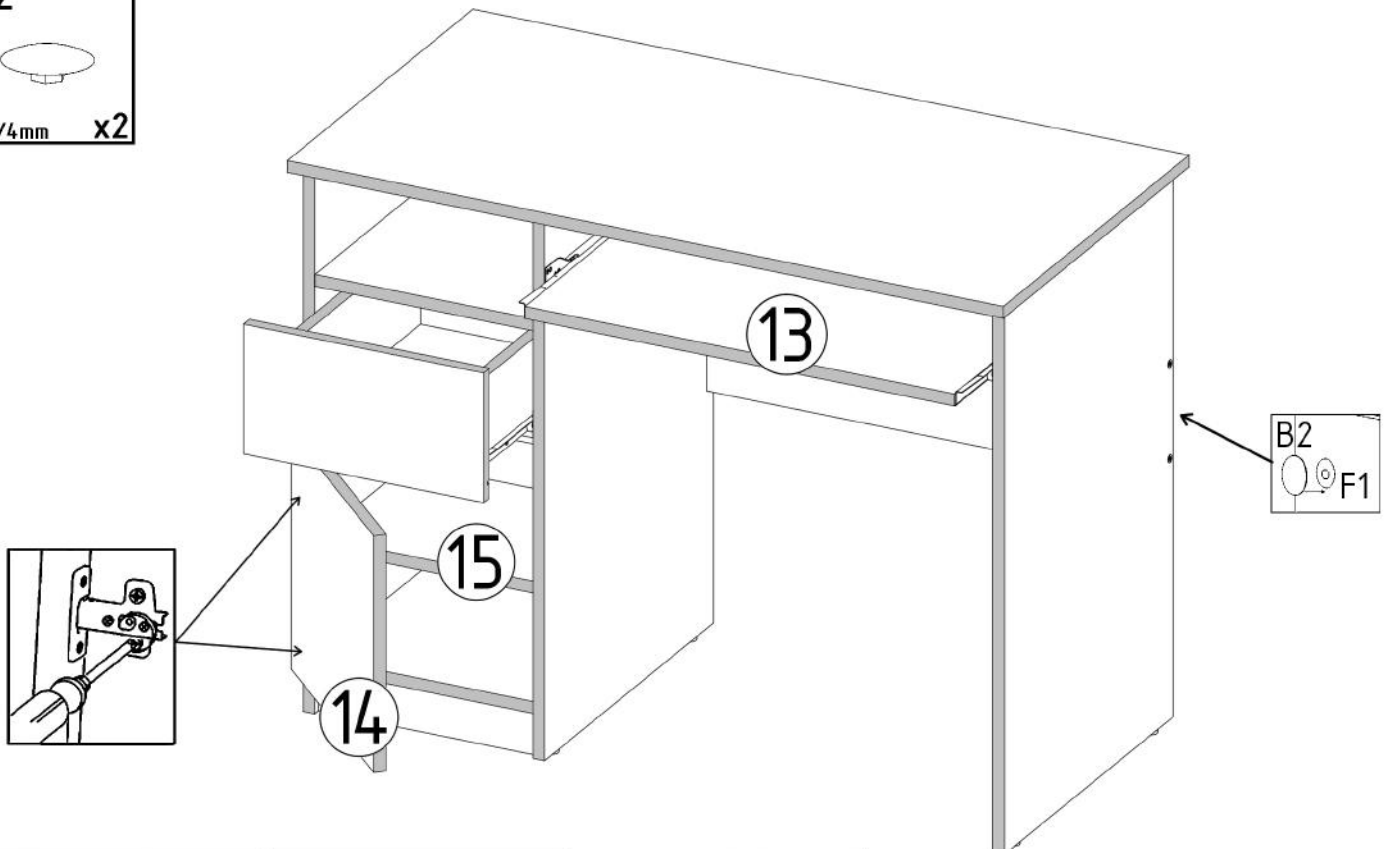
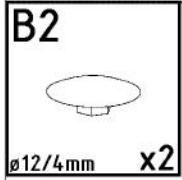
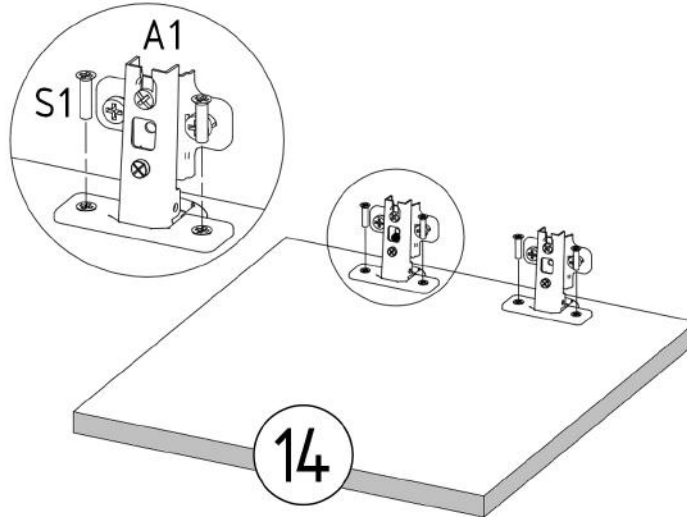
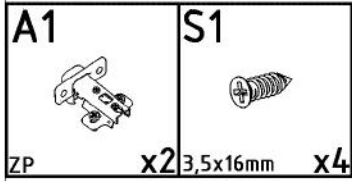
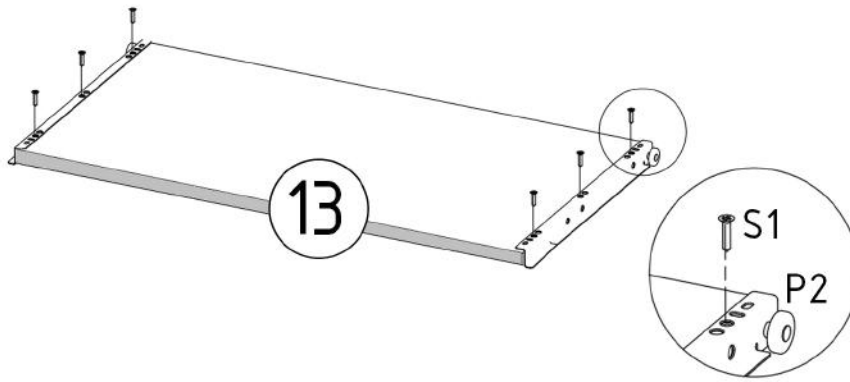
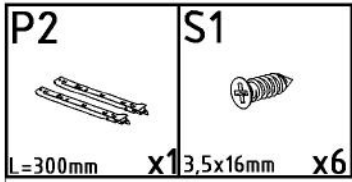


S1


 $3.5 \times 16\text{mm}$ x4

P4

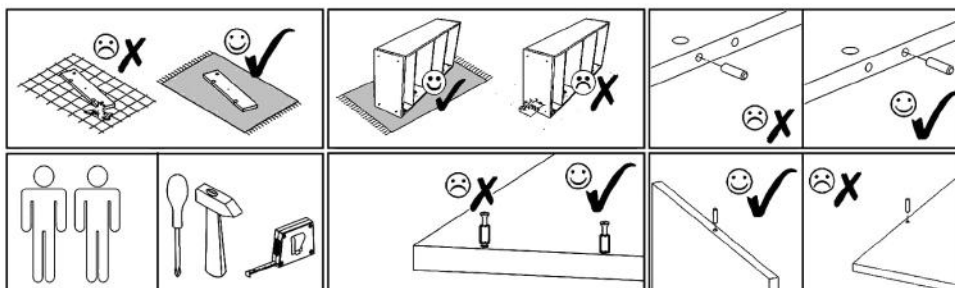
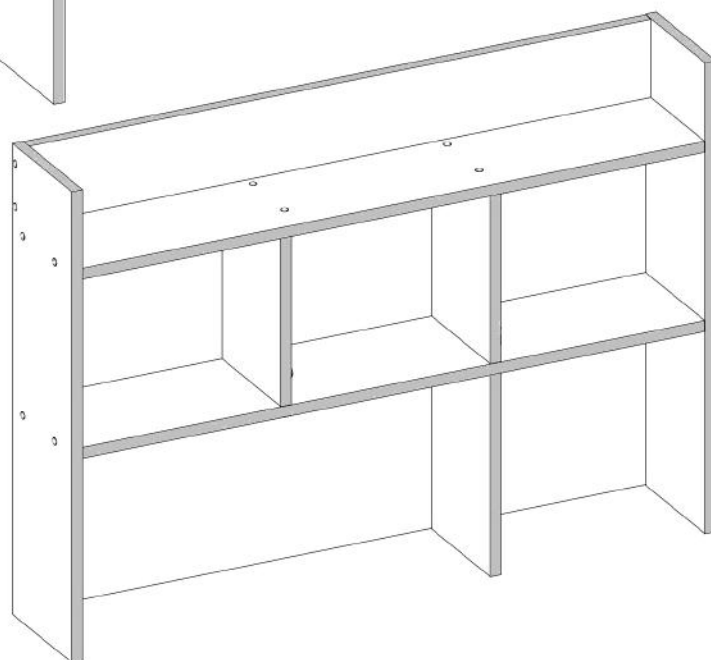
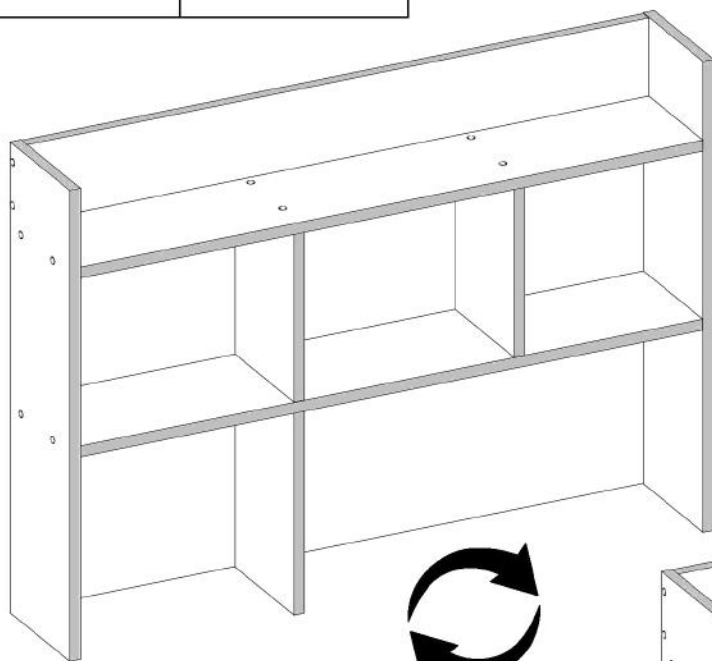
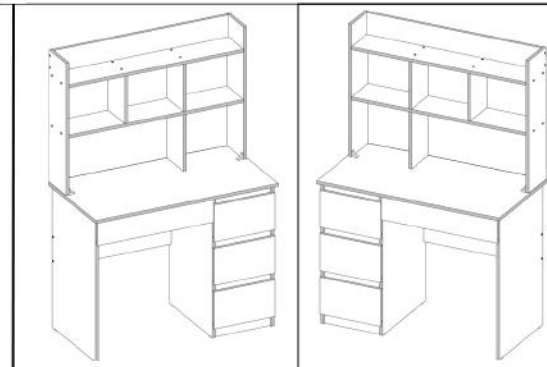

 $L=400\text{mm}$ x1










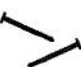

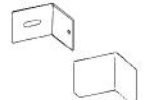
NDST_100

PRODUCTION DATE

PACKING CODE



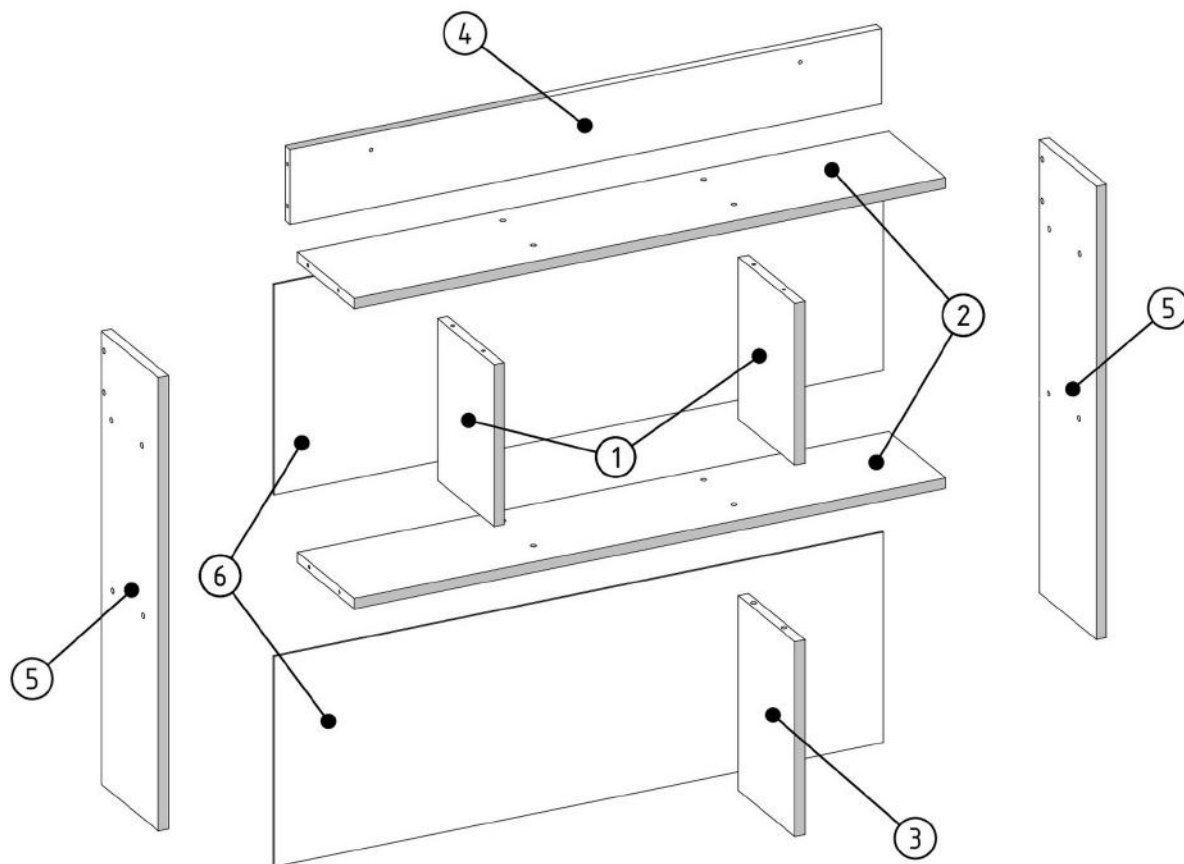
B1  ∅17/4mm x6	B2  ∅12/4mm x16	S1  3,5x16mm x4	V60  8,5X10,5mm x2	S9  4x16mm x6	B3  ∅7-8/5mm x2
--	---	---	--	---	--

M1  12x15mm x6	N1  L=35mm x2	F1  7x50mm x16	F3  Hex 4mm x1	N4  L=62mm x2	Z1  x40	V15  x6	V61  x2	IM250324
--	---	--	--	---	--	---	---	----------

NDST_100

PRODUCTION DATE

PACKING CODE

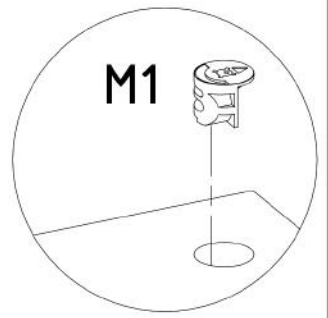
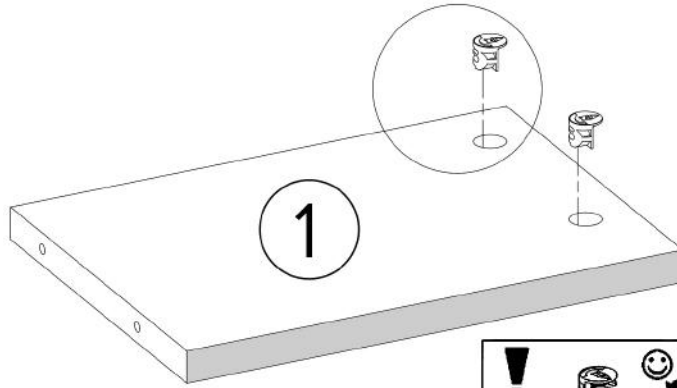


001581	6	2
001582	5	2
001583	4	1
001584	3	1
001585	2	2
001586	1	2
ID	NUMBER	QUANTITY

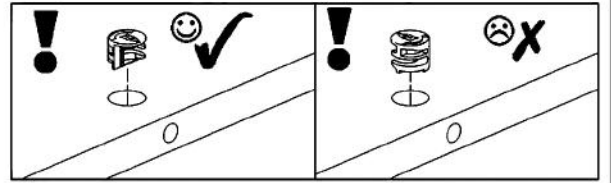
M1



12x15mm X4



x2



N1

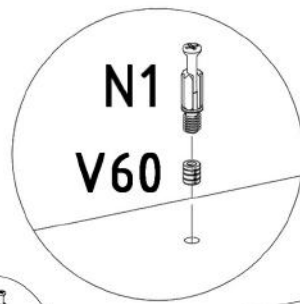


L=35mm X2

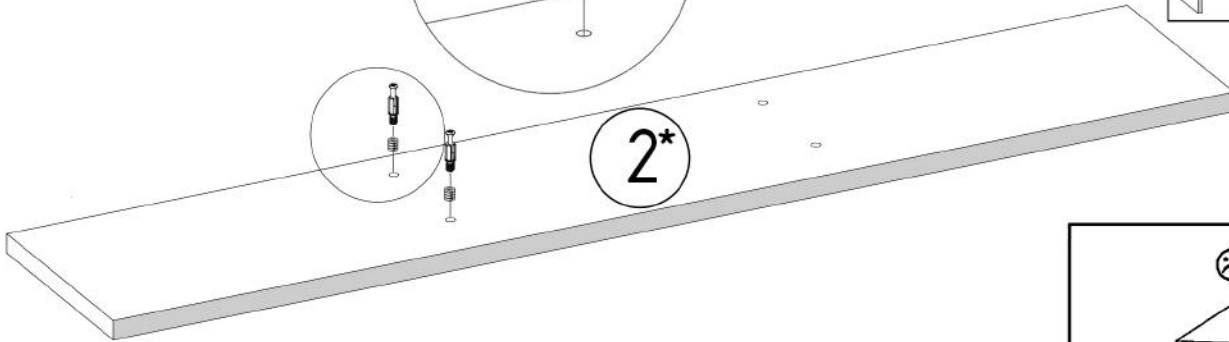
V60



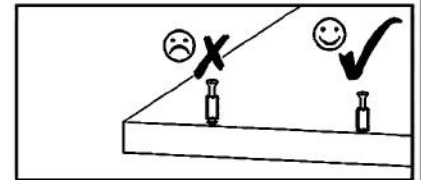
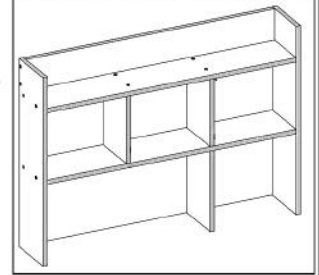
8,5X10,5mm X2



2*



! R



N1



L=35mm X2

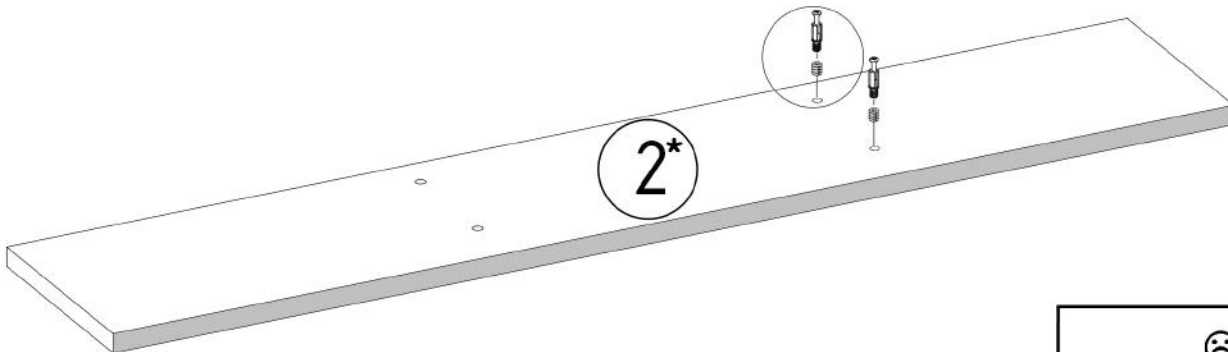
V60



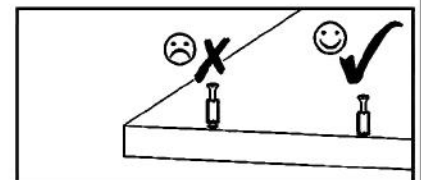
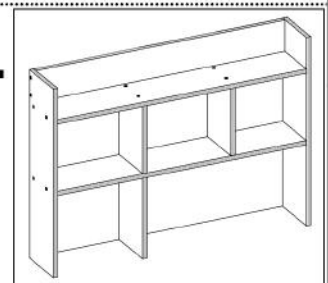
8,5X10,5mm X2



2*

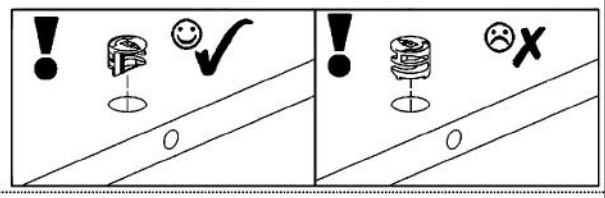
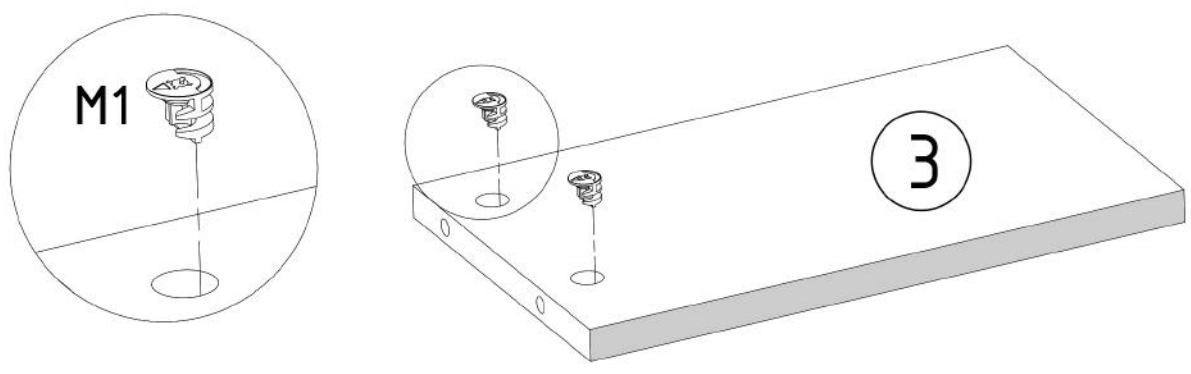





! L

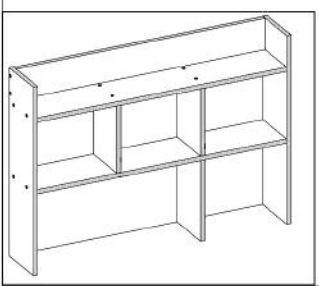
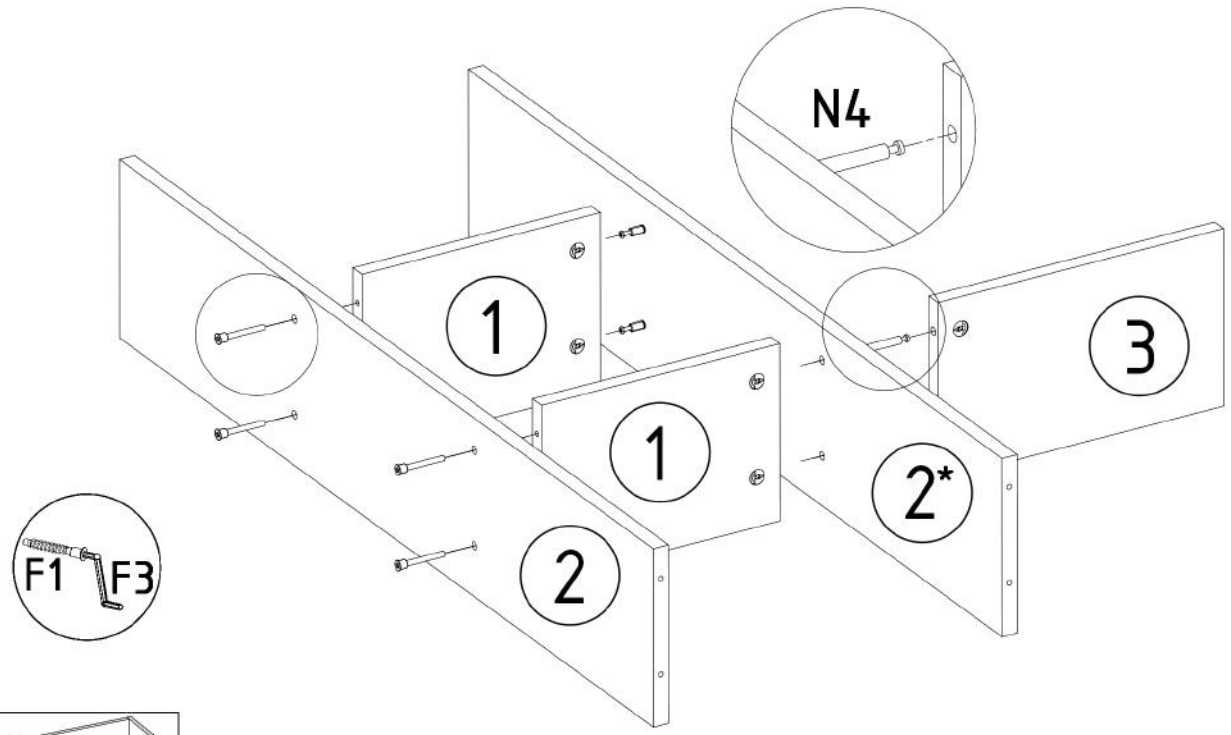
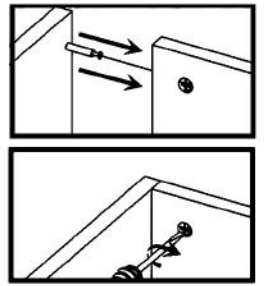



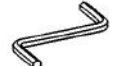

M1

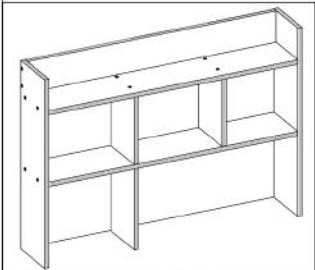
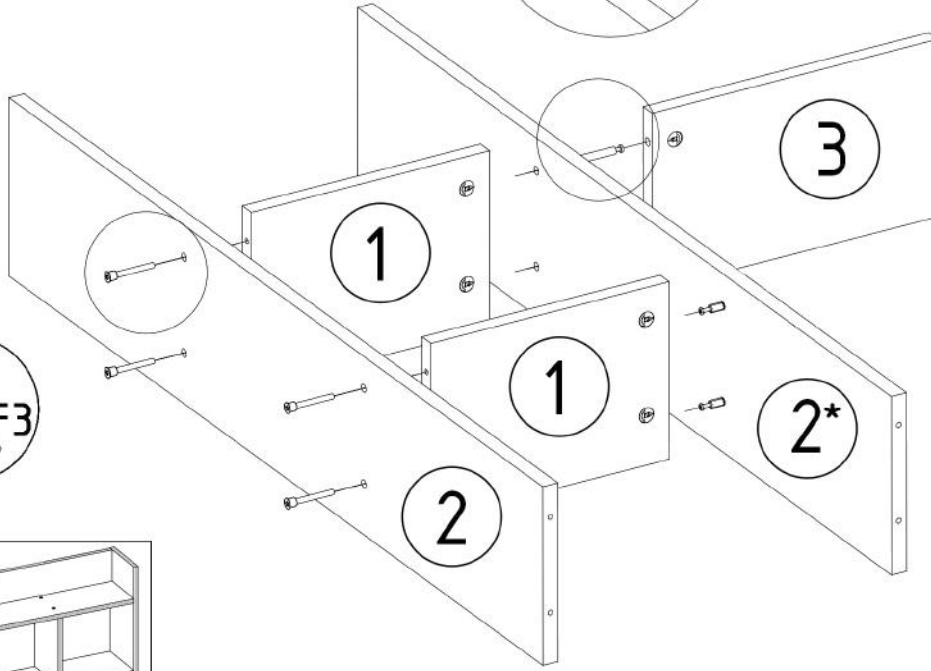
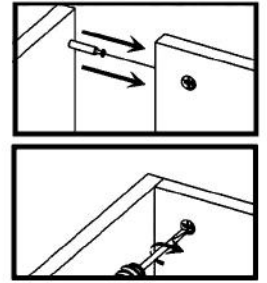
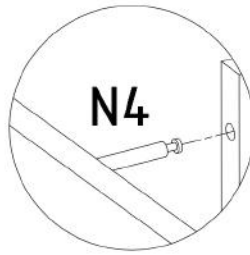
 12x15mm **x2**


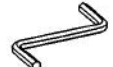


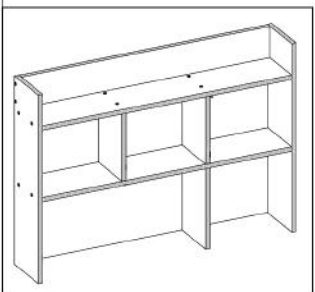
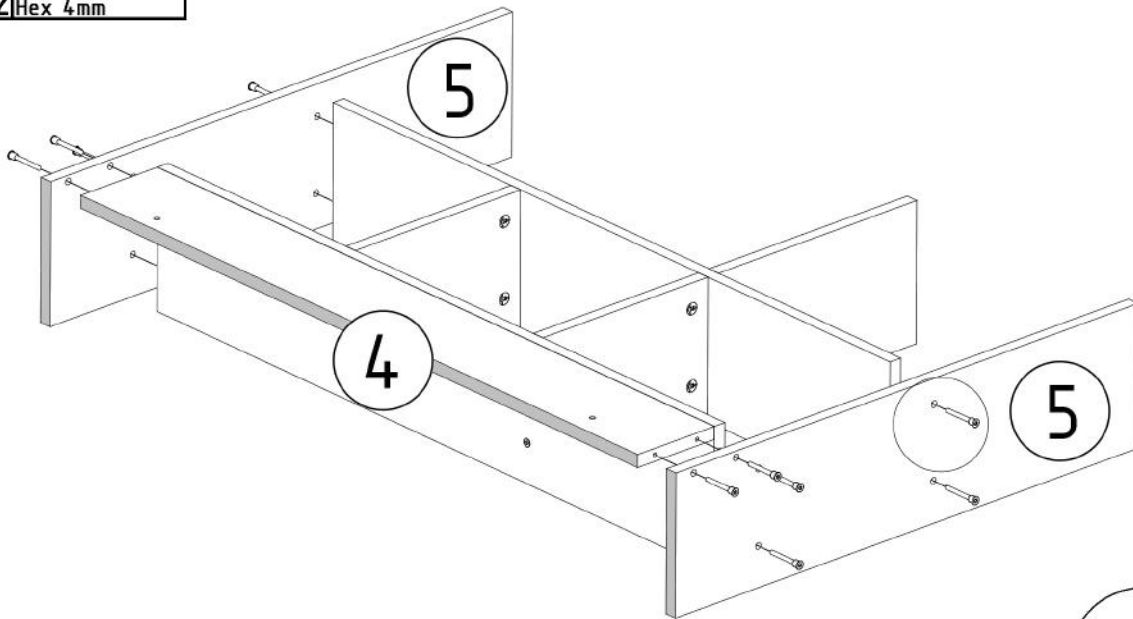
<p>F1  7x50mm x4</p>	<p>F3  Hex 4mm</p>	<p>N4  L=62mm x2</p>
--	--	---

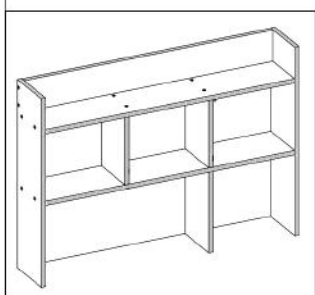
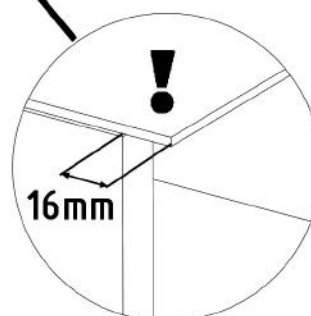
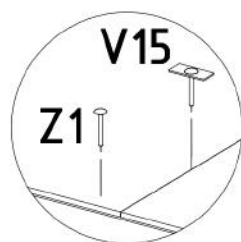
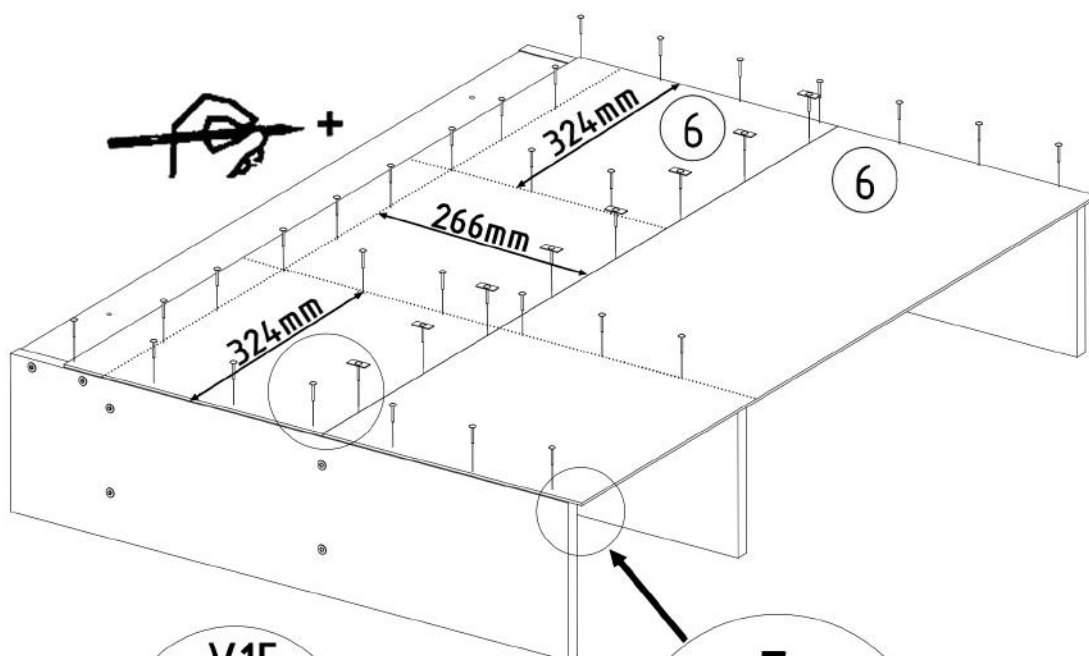
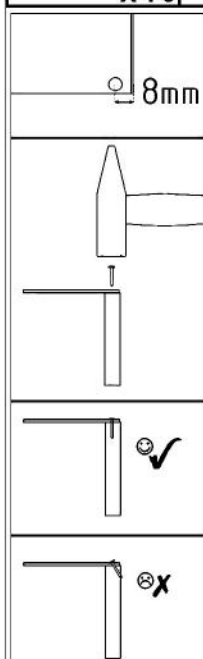
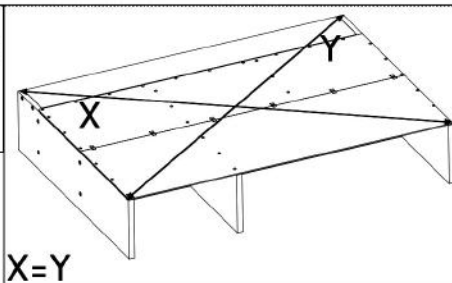
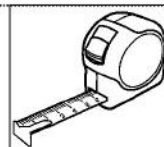
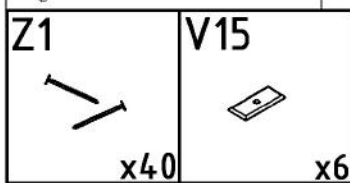
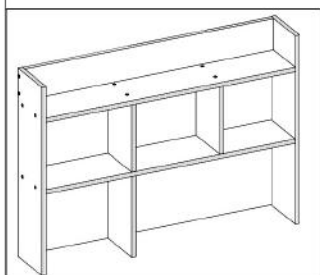
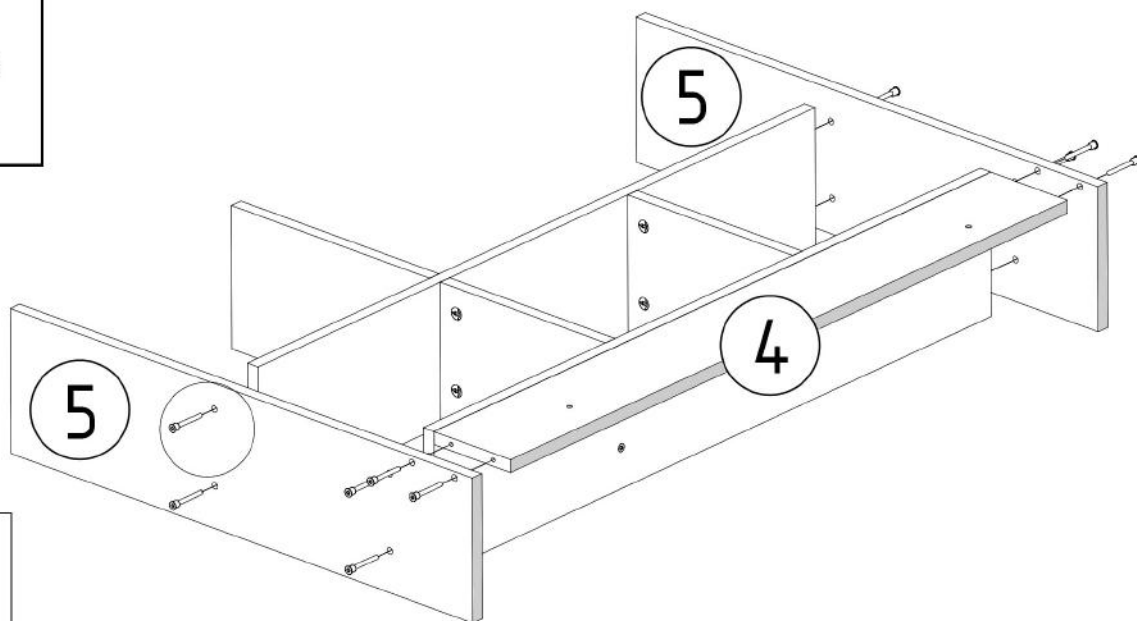
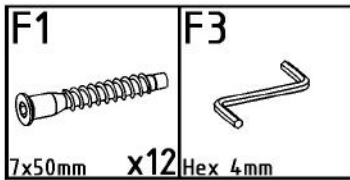


F1  7x50mm x4	F3  Hex 4mm	N4  L=62mm x2
--	--	---



F1  7x50mm x12	F3  Hex 4mm
--	---





S9



4x16mm x6

