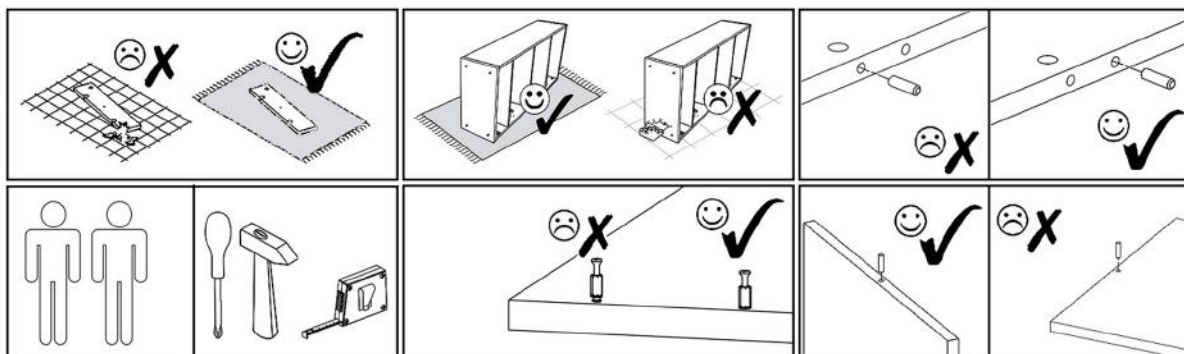
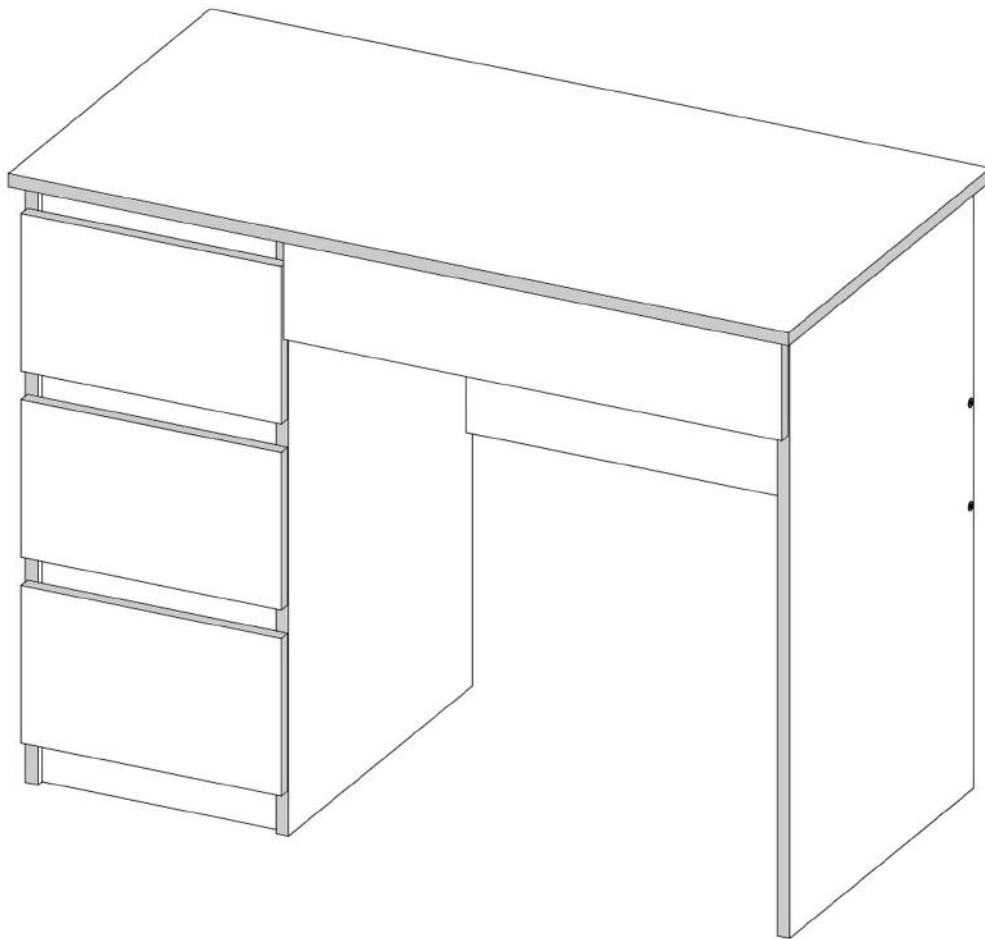


MIJAS L

PRODUCTION DATE

PACKING CODE



B2

K
ø12/5mm x2

B2

G
ø12/5mm x2

Z1



x55

P4



L=400mm x3

P2



L=300mm x1

V12



x1

B1

B
ø17/4mm x8

B2

B
ø12/5mm x2

B2

S/A
ø12/5mm x2

B2

Ant
ø12/5mm x2

M1



12x15mm x24

N1



L=35mm x24

E1



8x30mm x19

F1



7x50mm x12

F3



Hex 4mm x1

R1



6x8mm x16

S1



3,5x16mm x16

T1



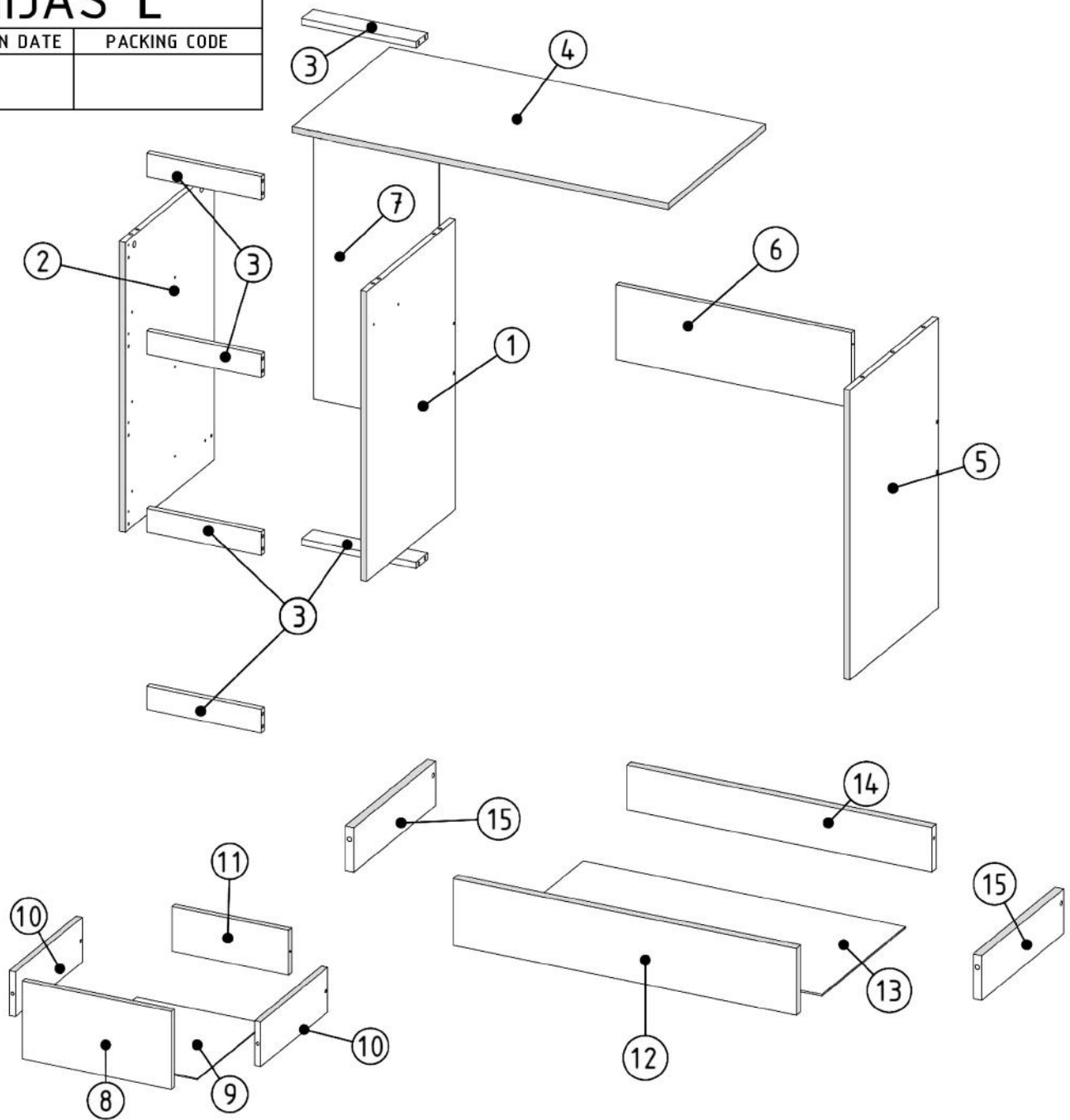
x6

IM240821







MIJAS L

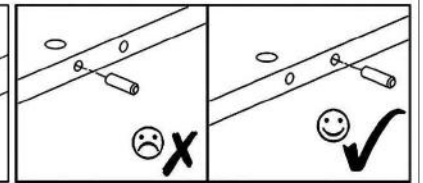
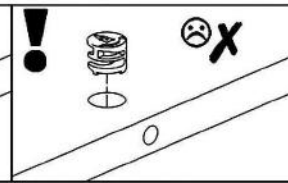
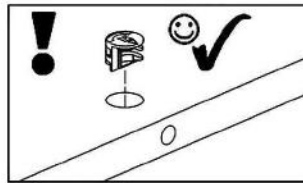
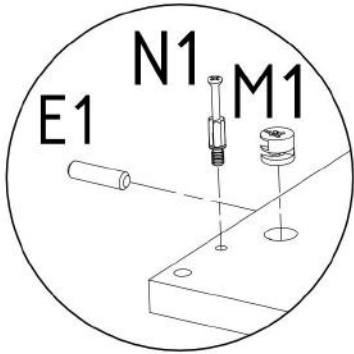
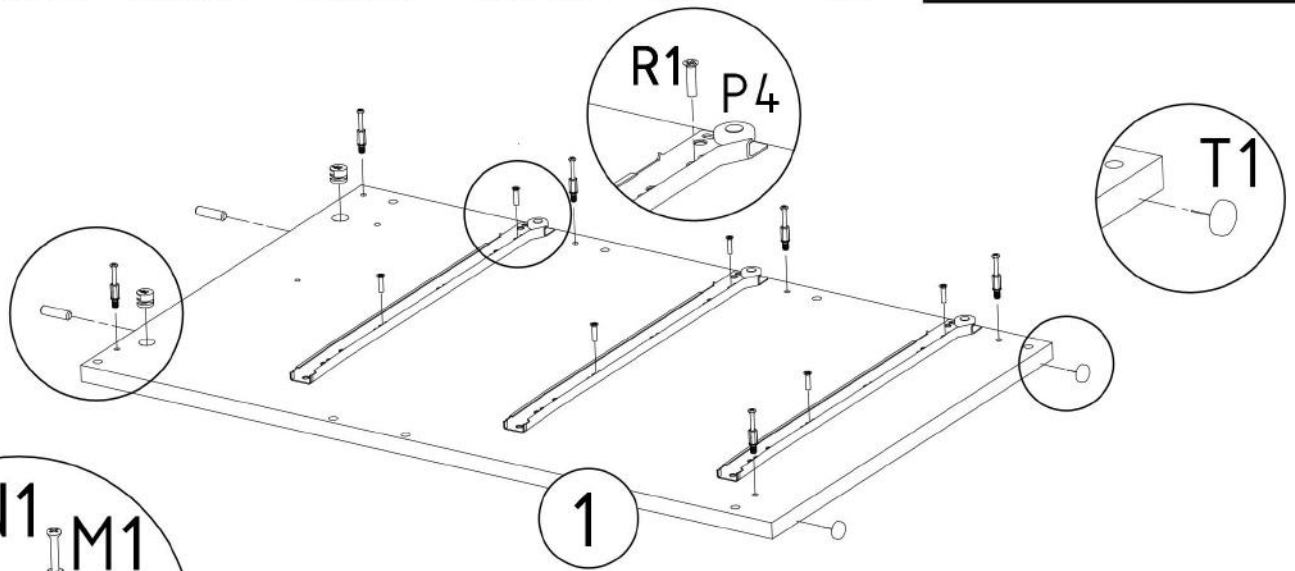
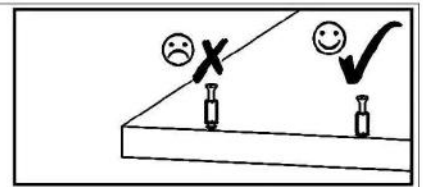
PRODUCTION DATE







PACKING CODE

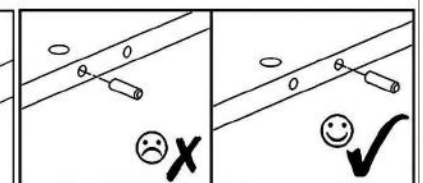
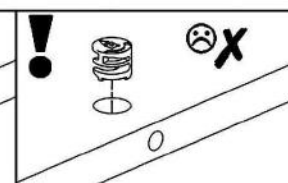
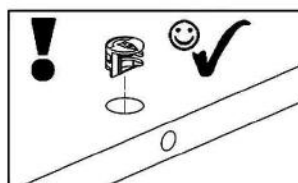
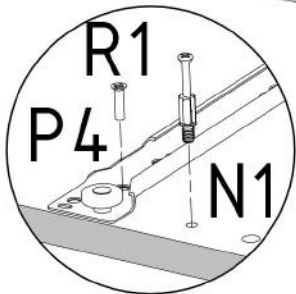
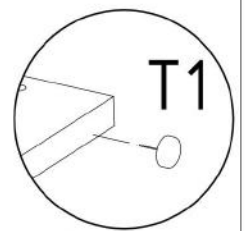
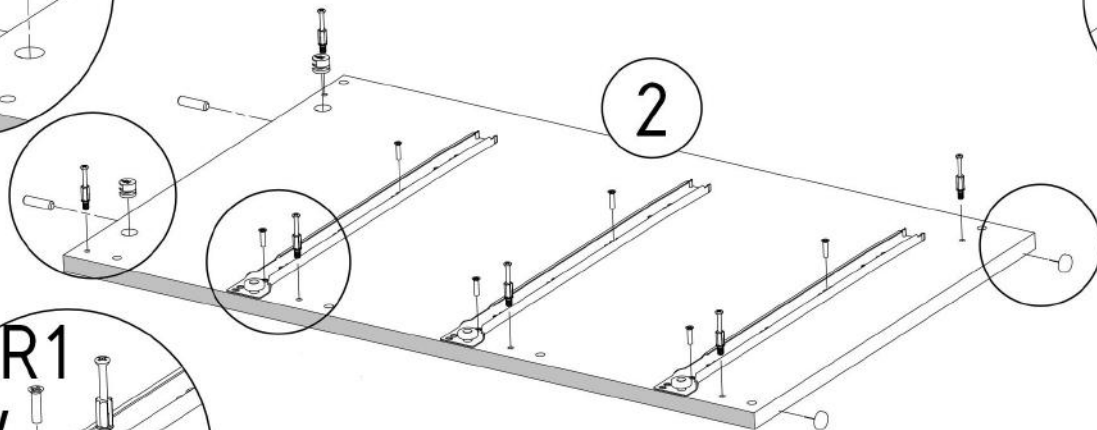
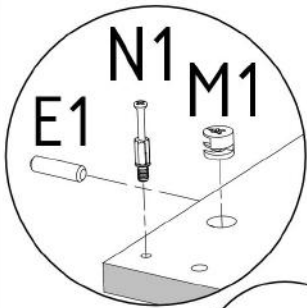
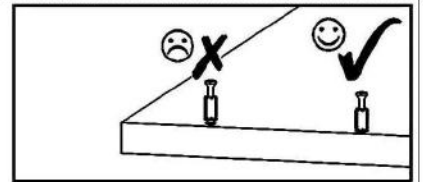




000032	15	2
000107	14	1
000034	13	1
000423	12	1
000007	11	3
000083	10	6
000021	9	3
000044	8	3
000147	7	1
000133	6	1
000426	5	1
000424	4	1
000030	3	6
000425	2	1
000427	1	1
ID	NUMBER	QUANTITY

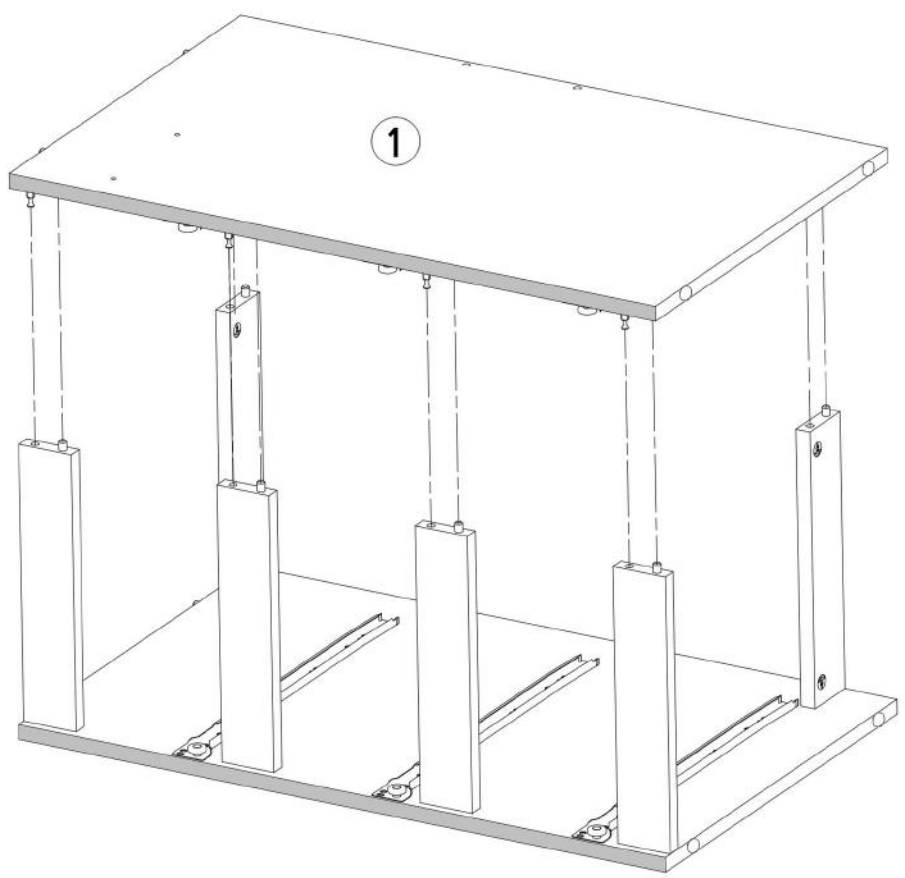
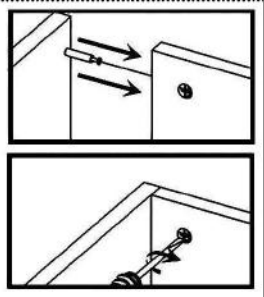
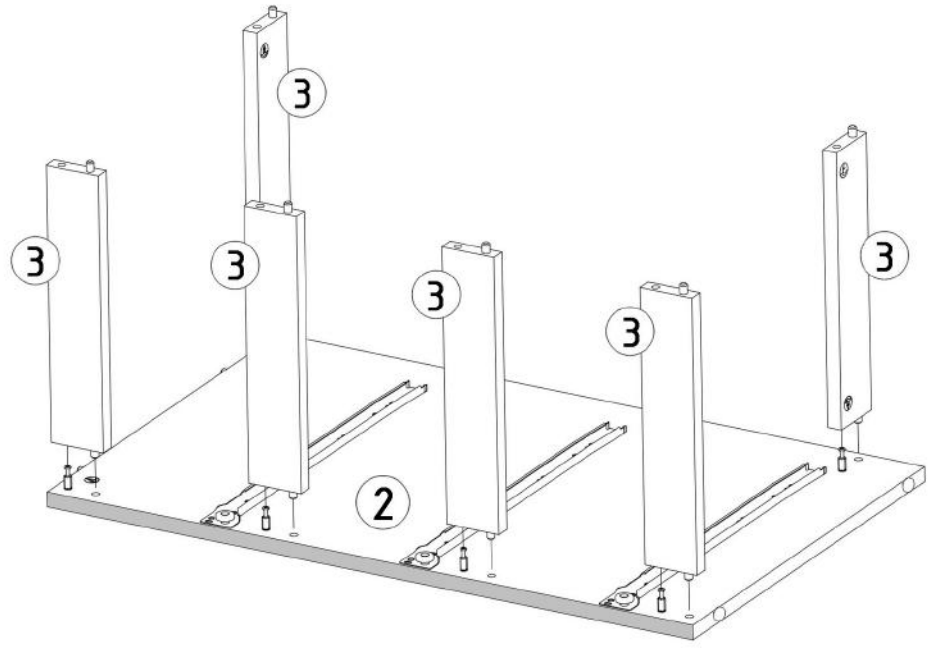
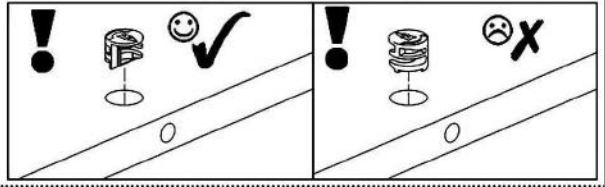
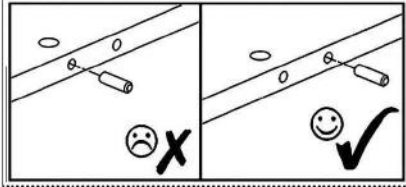
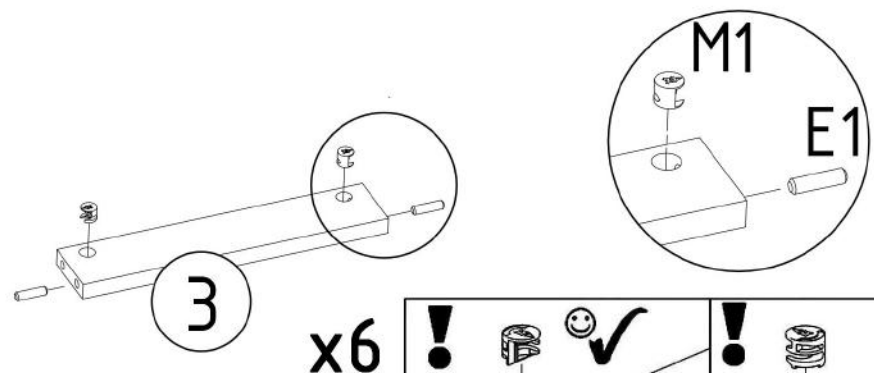
N1  L=35mm	M1  12x15mm	E1  8x30mm	R1  6x8mm	P4  L=400mm	T1  x3
x6	x2	x2	x6	x3	x2






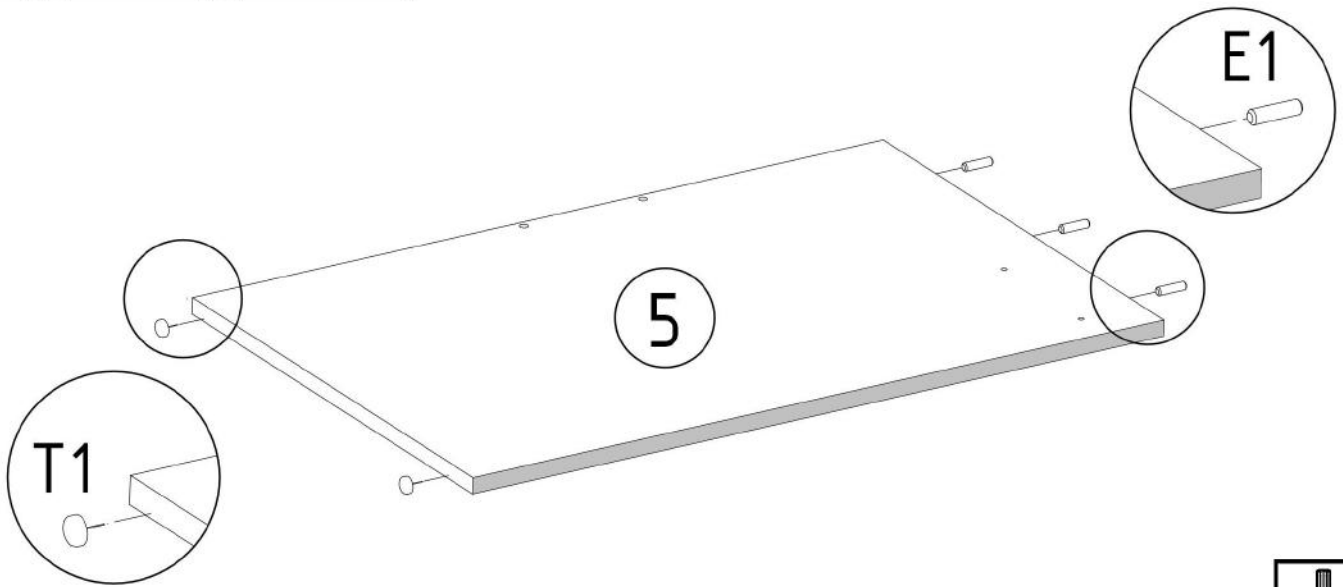
N1  L=35mm	M1  12x15mm	E1  8x30mm	R1  6x8mm	P4  L=400mm	T1  x3
x6	x2	x2	x6	x3	x2





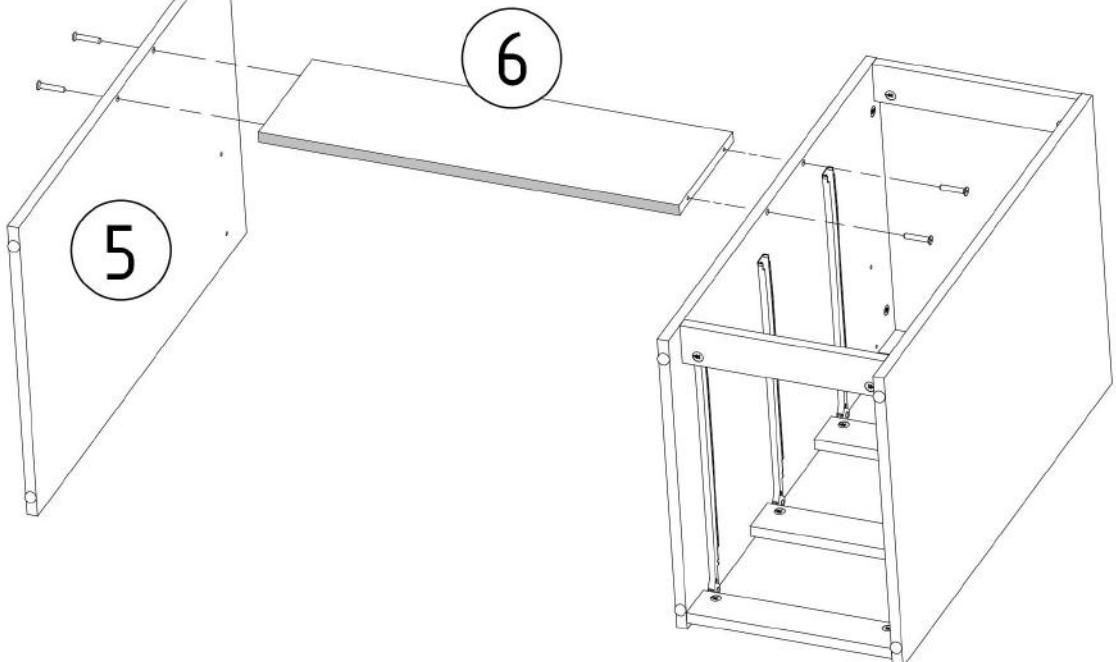
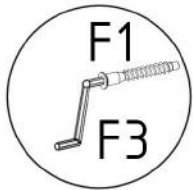
E1  8x30mm x12	M1  12x15mm x12
---	--



E1  8x30mm x3	T1  x2	V12  x2
--	--	---



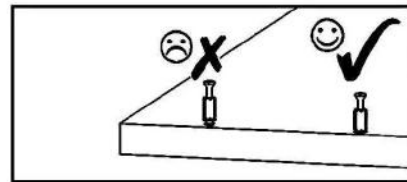
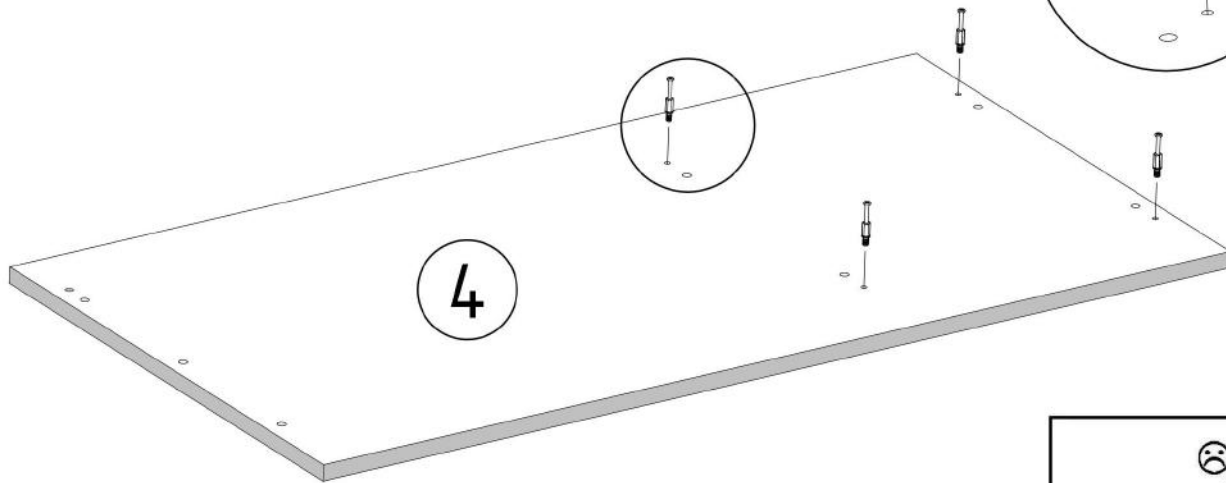
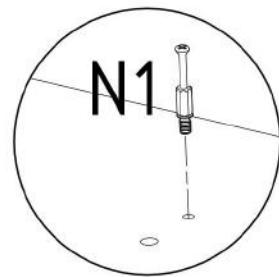
F1  7x50mm x4	F3  Hex 4mm
--	--



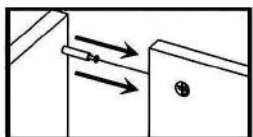
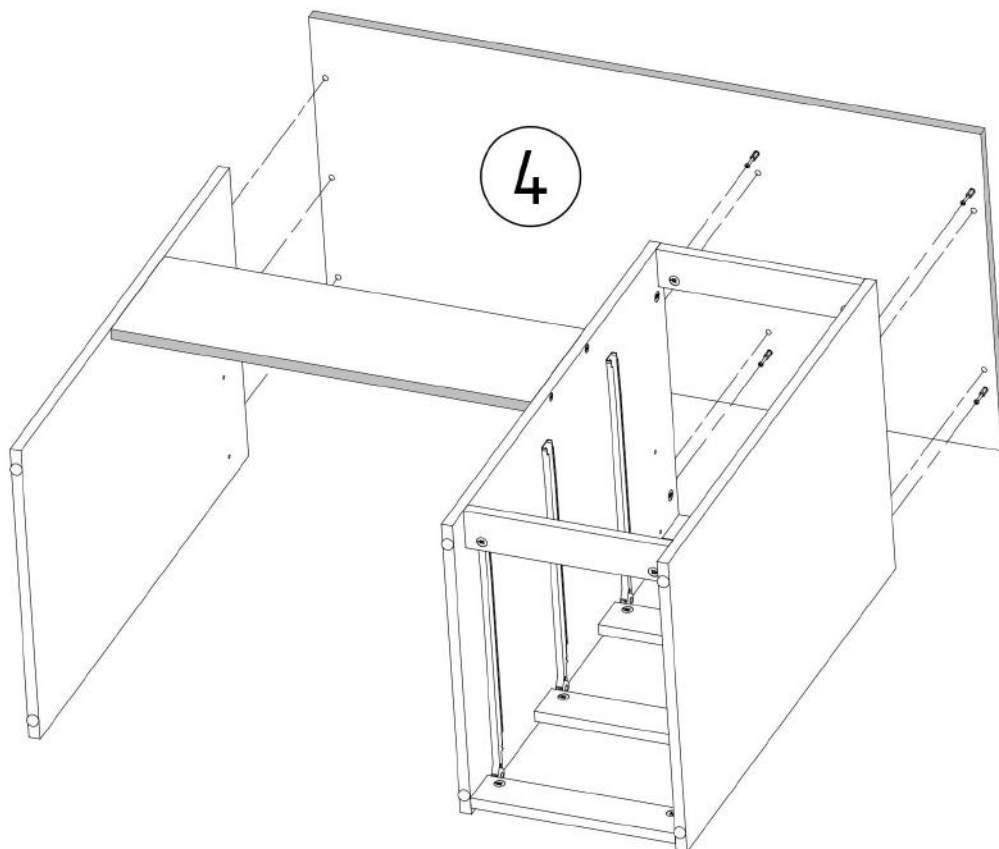
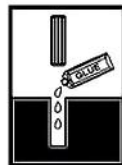
N1



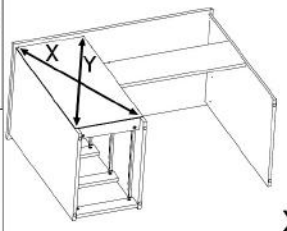
L=35mm X4



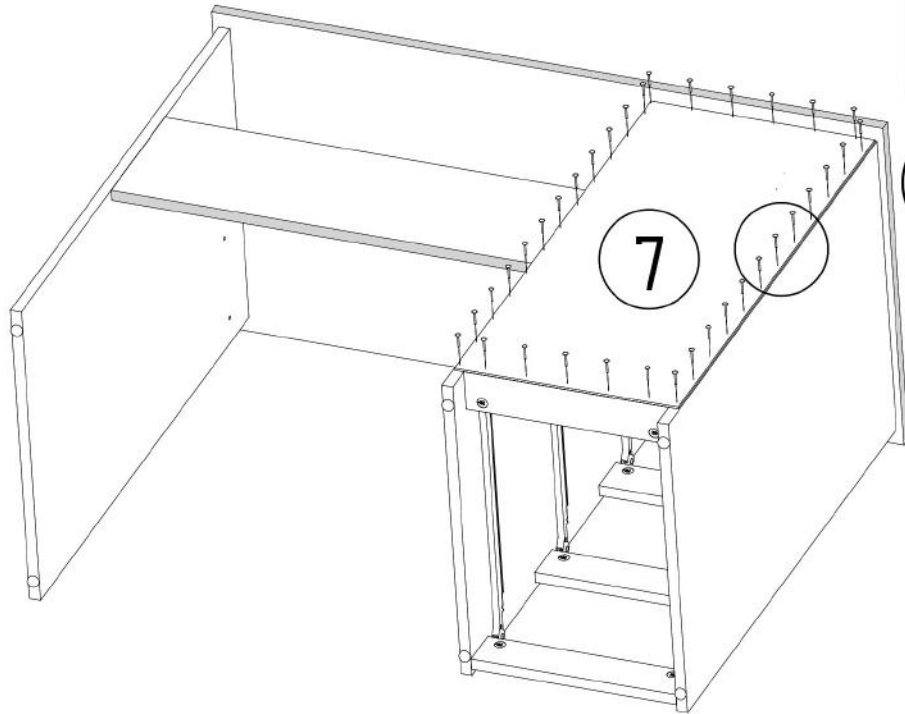
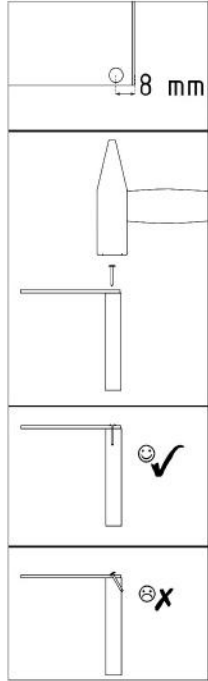
V12



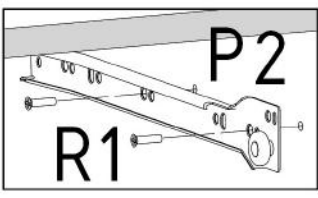
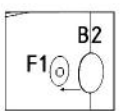
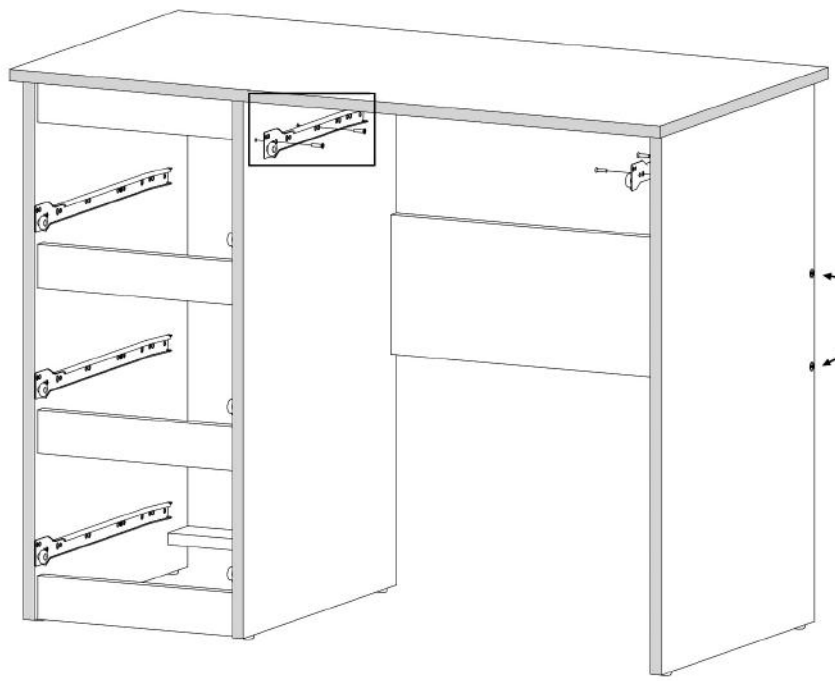
Z1
x30


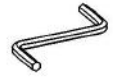



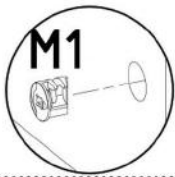
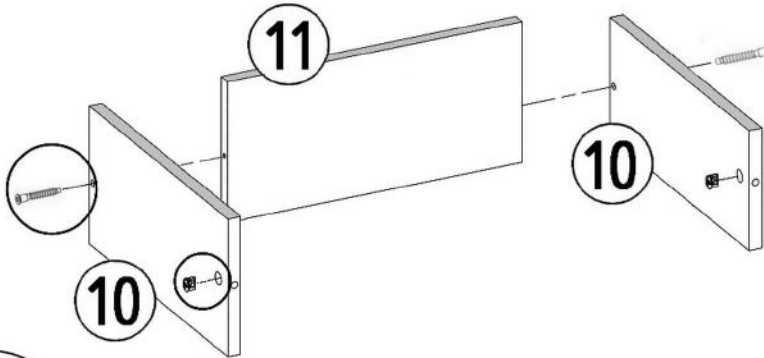
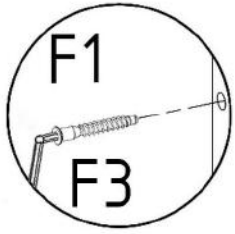
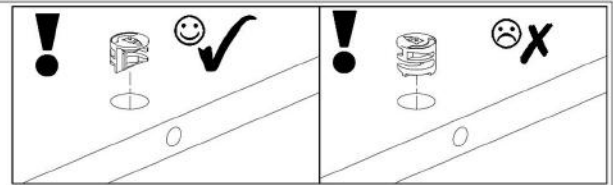
X=Y



<p>P2</p> <p>L=300mm x1</p>	<p>B2</p> <p>ø12/5mm x2</p>	<p>R1</p> <p>6x8mm x4</p>
------------------------------------	------------------------------------	----------------------------------

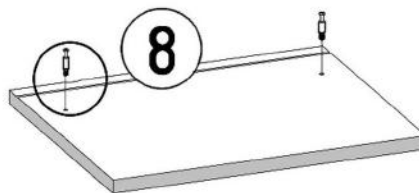
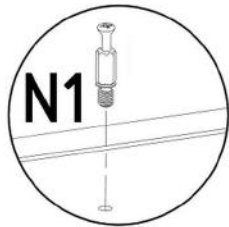
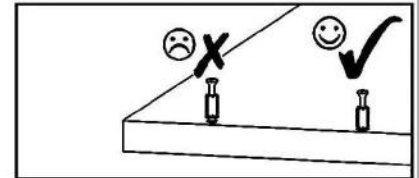


F1  7x50mm X6	F3  Hex 4mm X6	M1  12x15mm X6
---	---	---




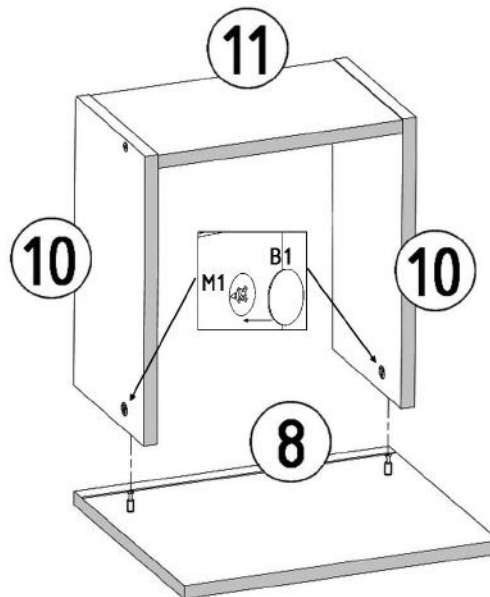
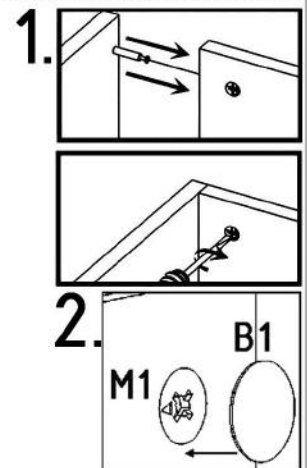
x3

N1  L=35mm X6
--

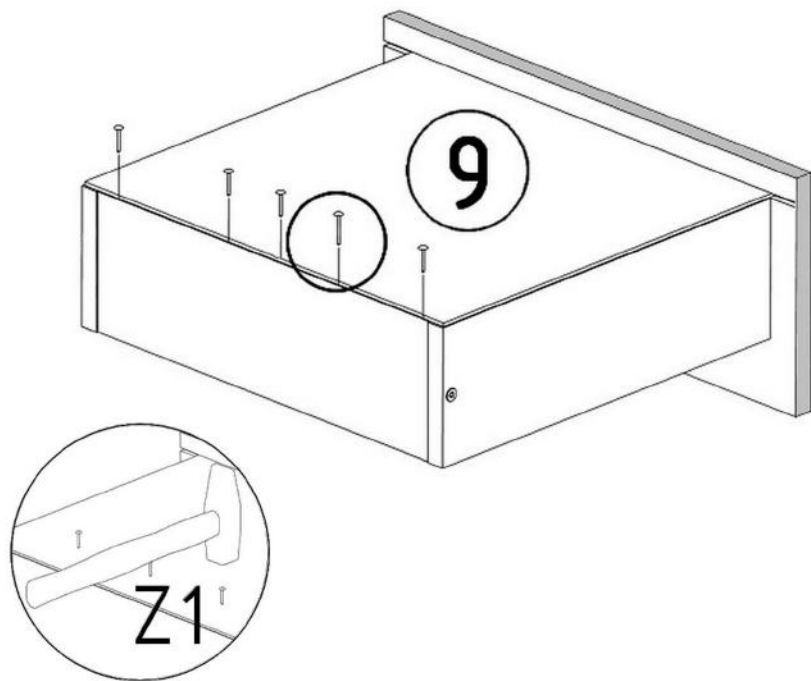
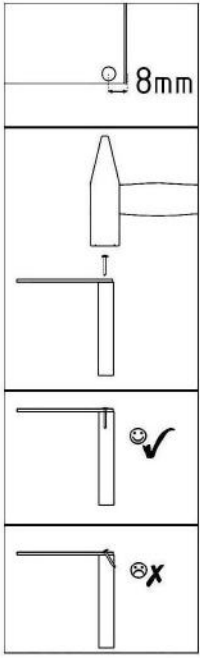
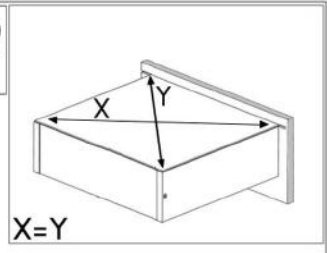
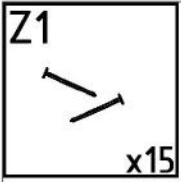


x3

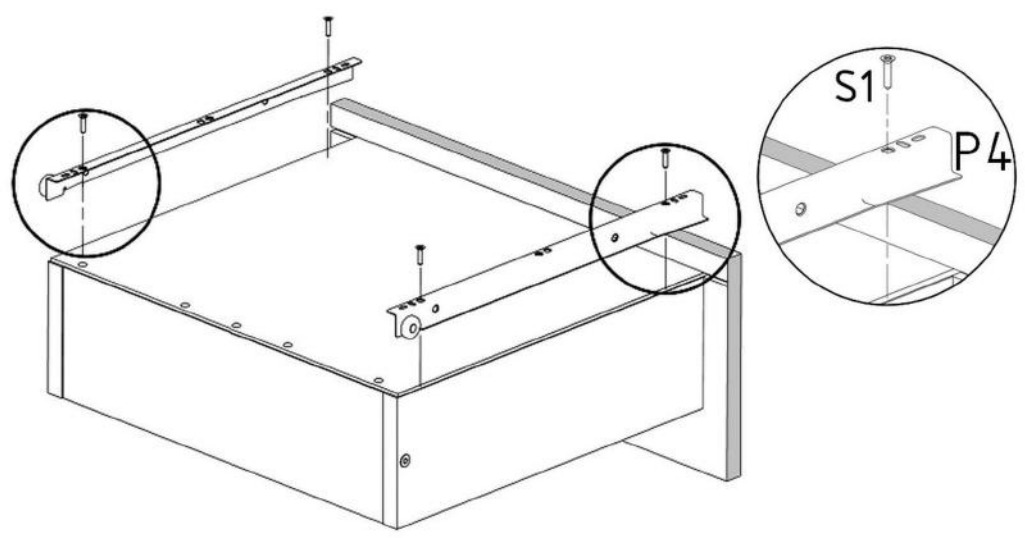
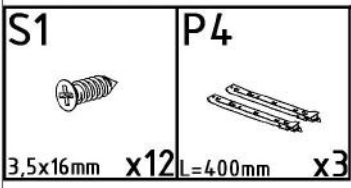
B1  ø17/4mm X6






x3

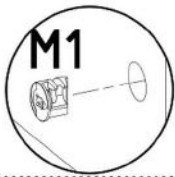
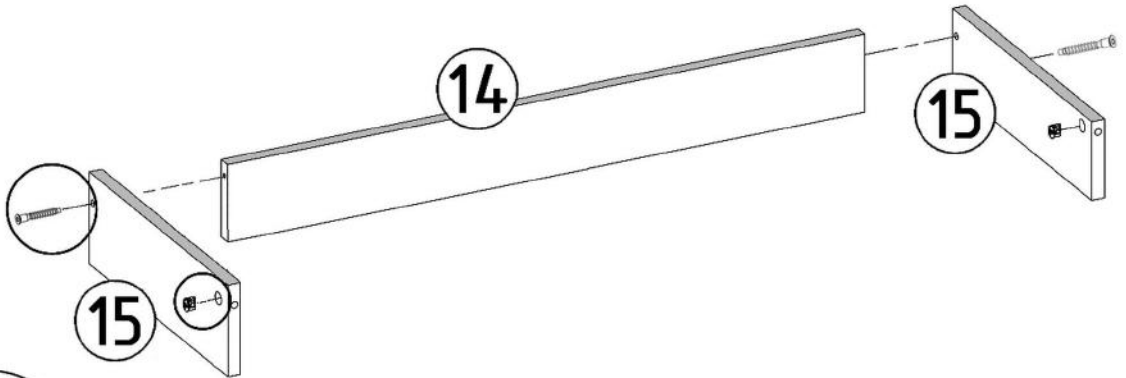
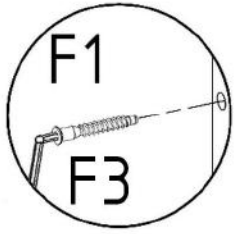
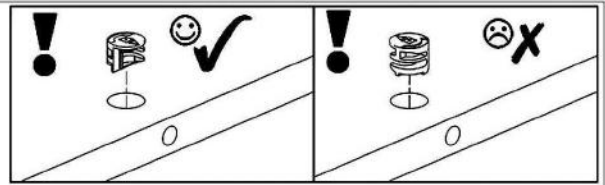


x3

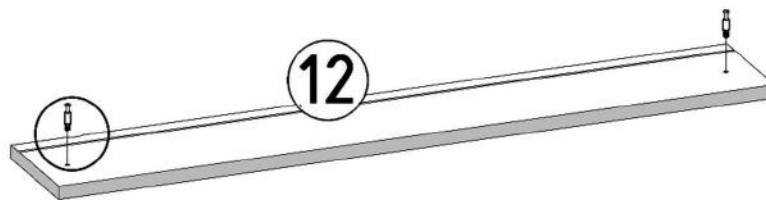
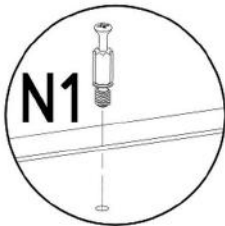
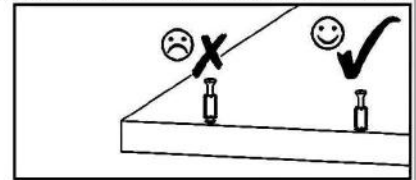



x3

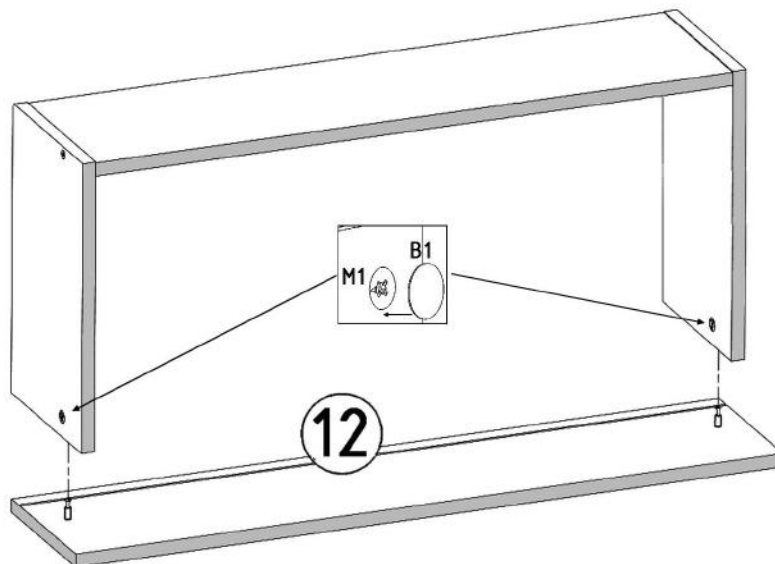
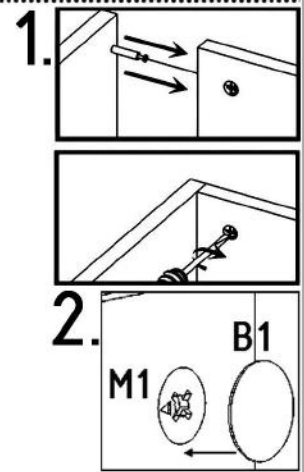
F1  7x50mm x2	F3  Hex 4mm	M1  12x15mm x2
---	--	---

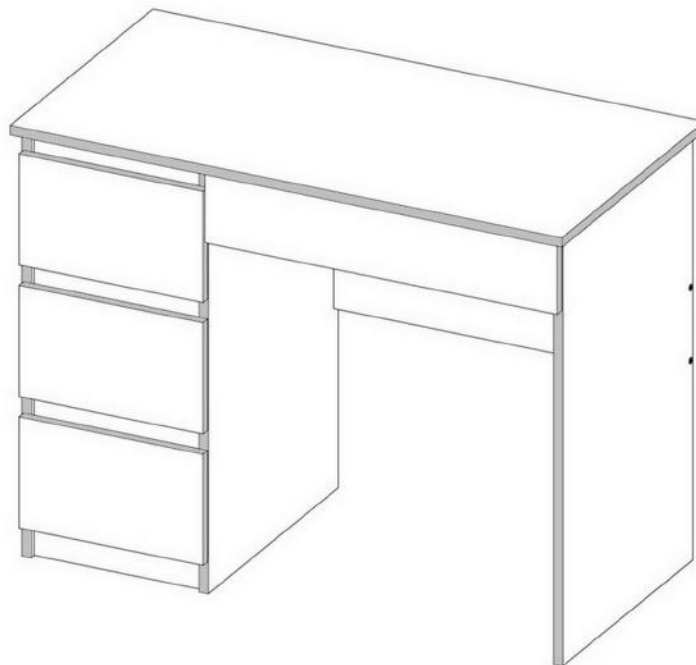
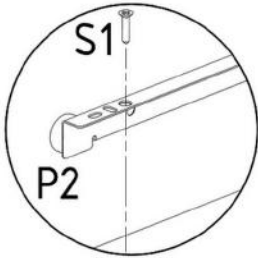
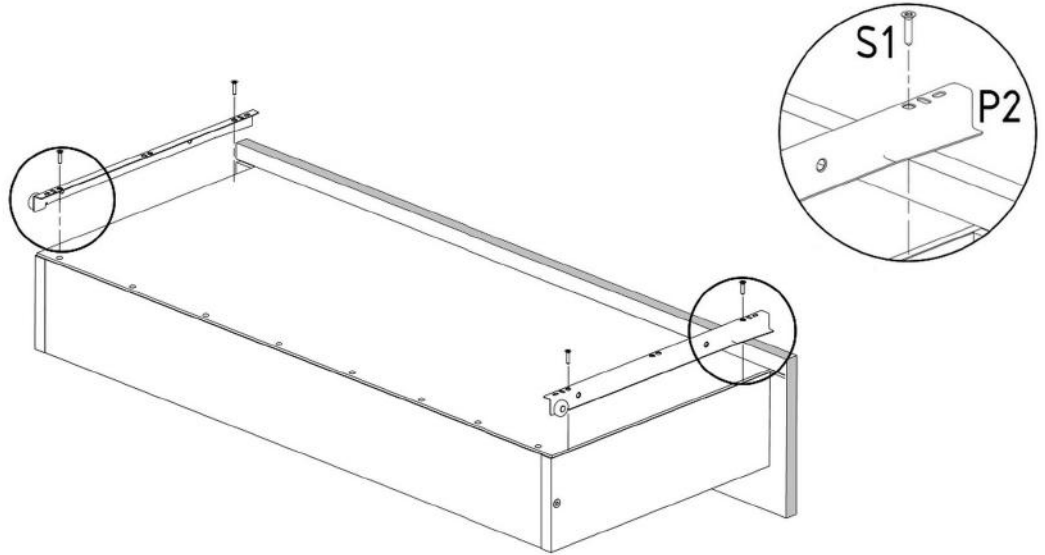
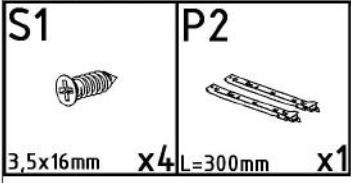
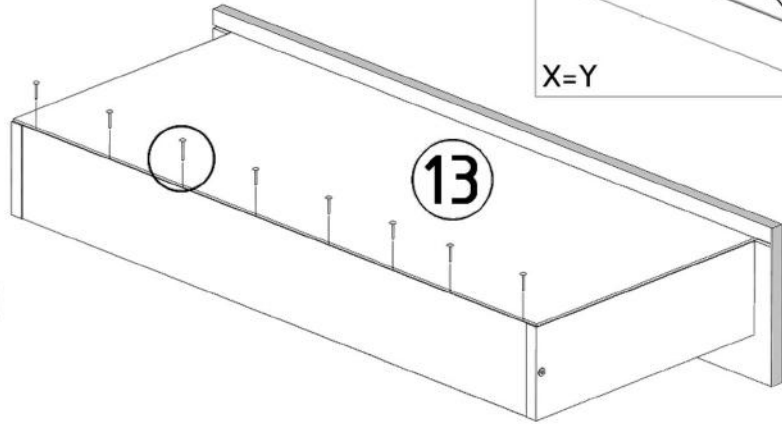
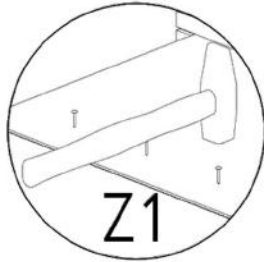
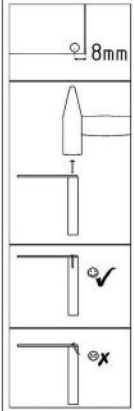
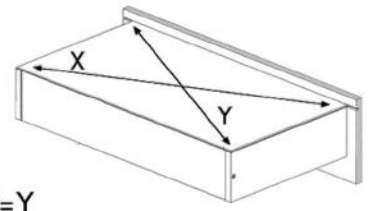


N1  L=35mm x2
--



B1  ø17/4mm x2

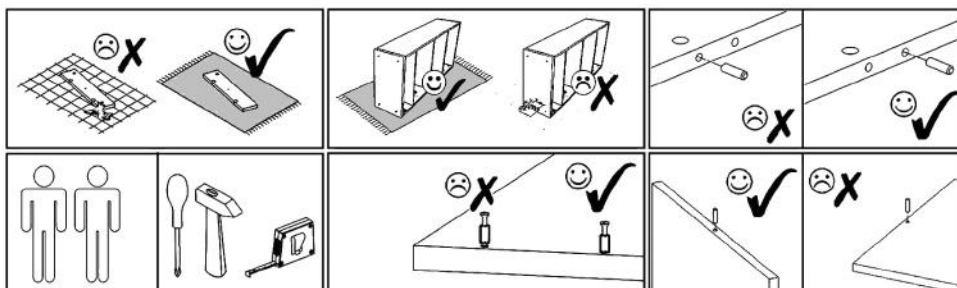
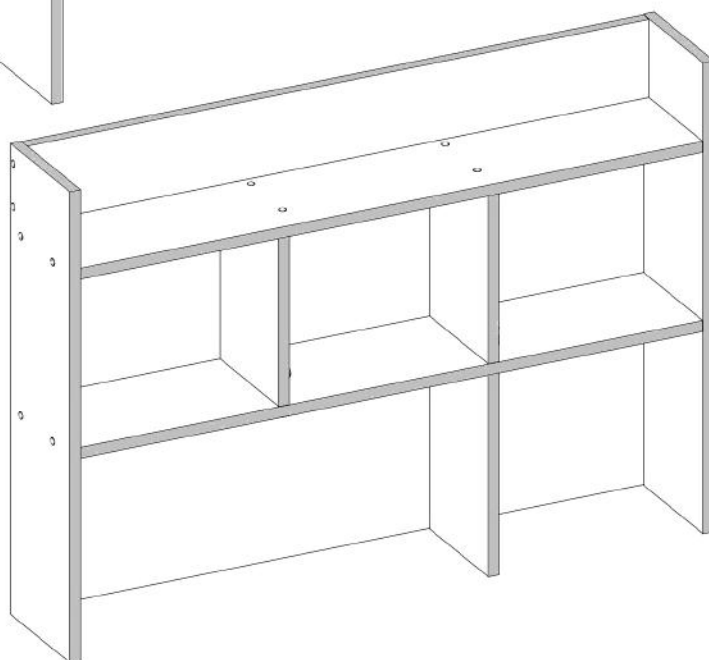
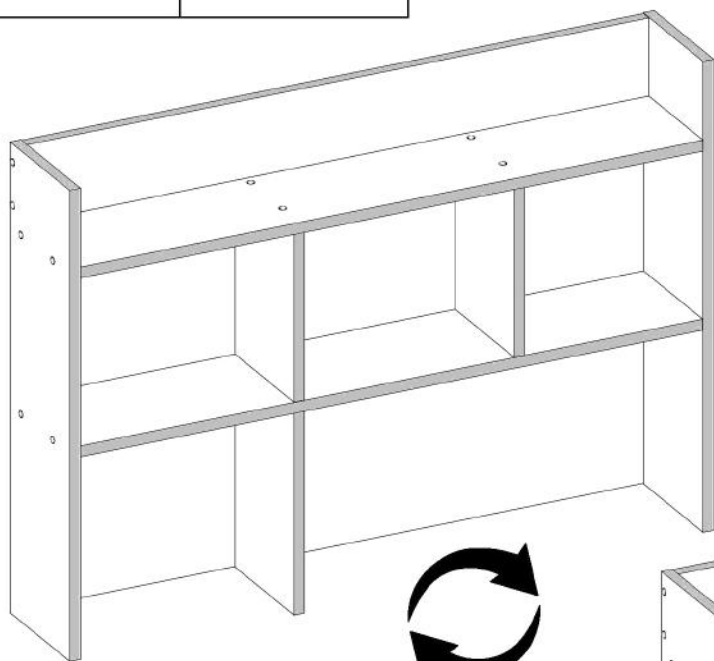
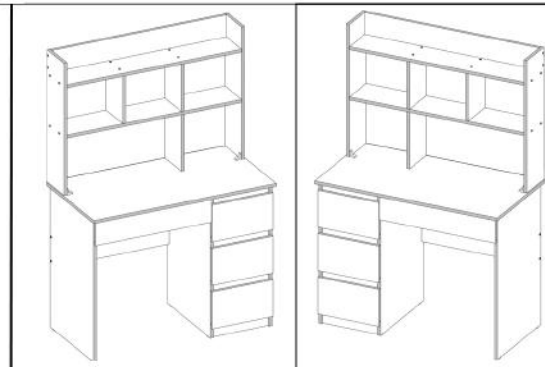




NDST_100

PRODUCTION DATE

PACKING CODE



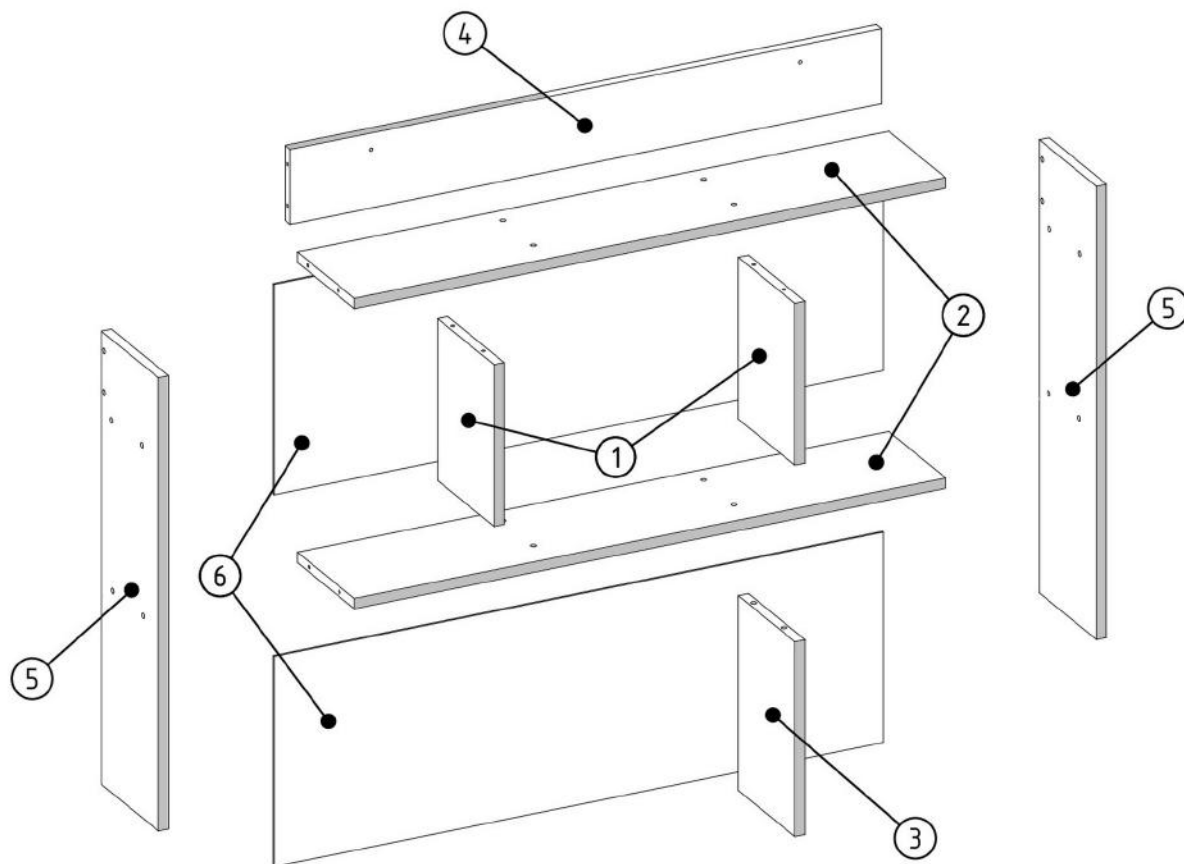
B1 ø17/4mm x6	B2 ø12/4mm x16	S1 3,5x16mm x4	V60 8,5X10,5mm x2	S9 4x16mm x6	B3 ø7-8/5mm x2
-----------------------------	------------------------------	------------------------------	---------------------------------	----------------------------	------------------------------

M1 12x15mm x6	N1 L=35mm x2	F1 7x50mm x16	F3 Hex 4mm x1	N4 L=62mm x2	Z1 x40	V15 x6	V61 x2	IM250324
-----------------------------	----------------------------	-----------------------------	-----------------------------	----------------------------	----------------------	----------------------	----------------------	----------

NDST_100


PRODUCTION DATE

PACKING CODE

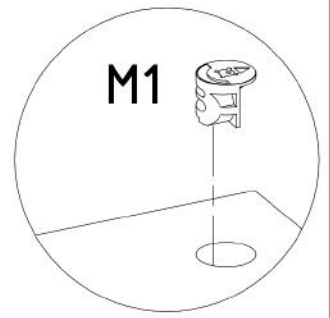
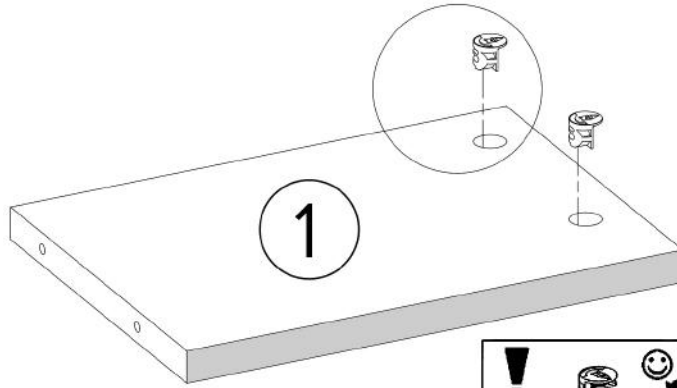


001581	6	2
001582	5	2
001583	4	1
001584	3	1
001585	2	2
001586	1	2
ID	NUMBER	QUANTITY

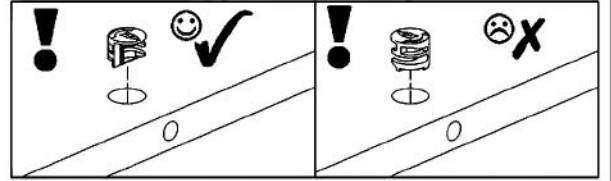
M1





12x15mm **x4**



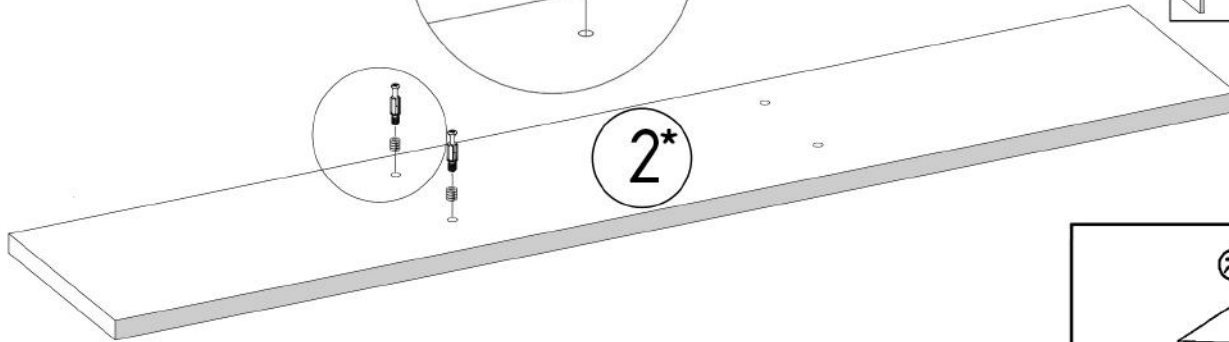
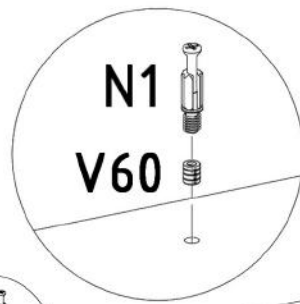
x2



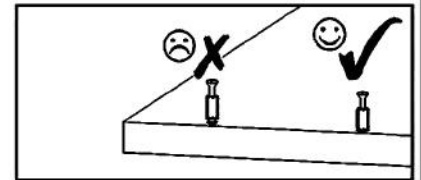
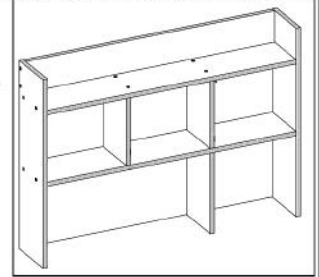
N1 **V60**



L=35mm **x2** 8,5X10,5mm **x2**



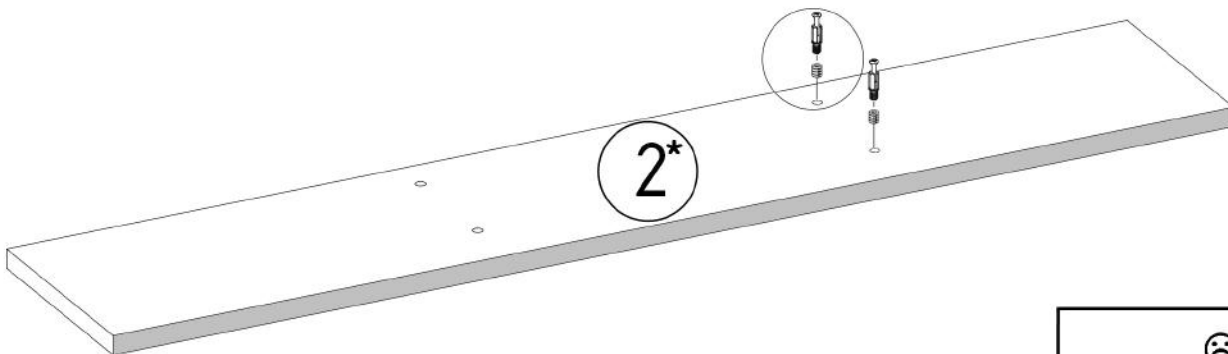
! R



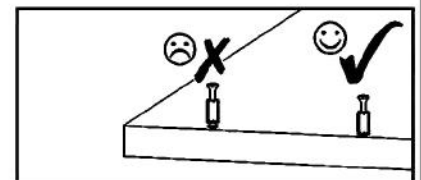
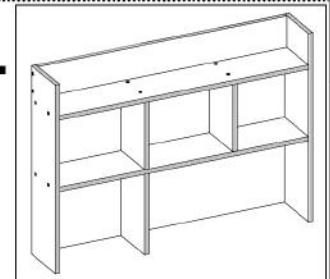
N1 **V60**

L=35mm **x2** 8,5X10,5mm **x2**



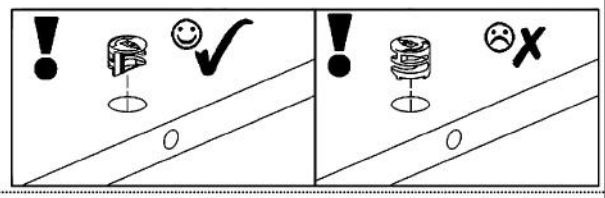
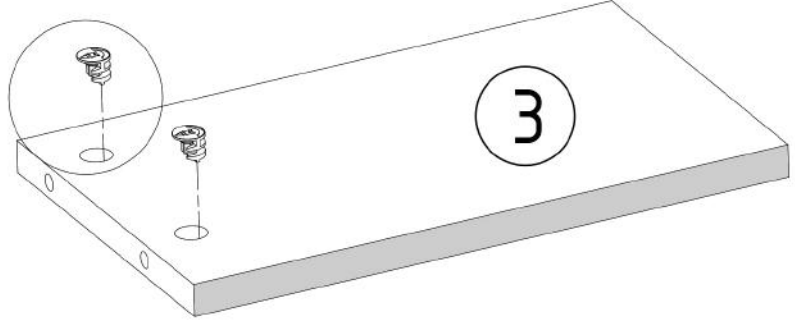
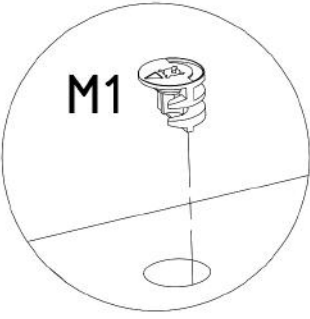
! L


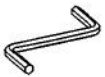



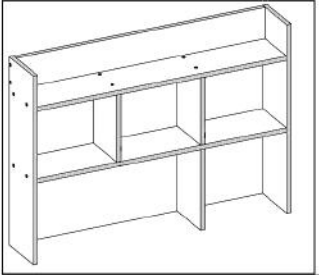
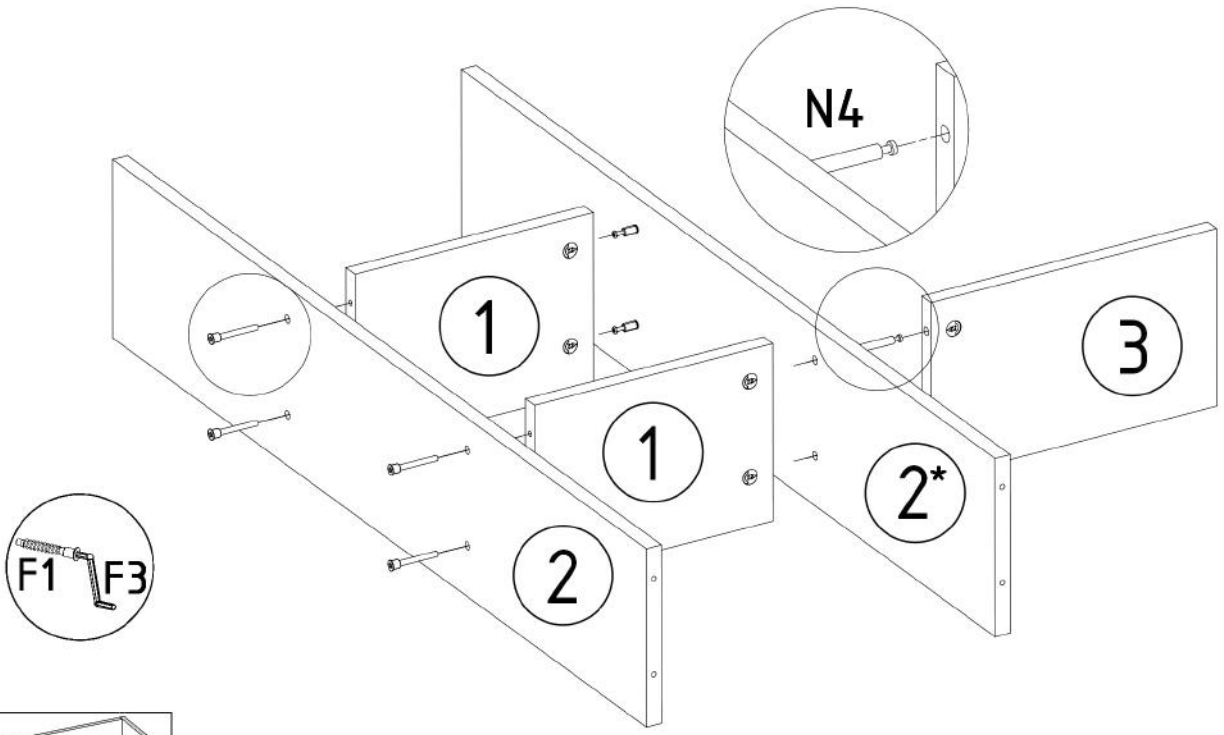
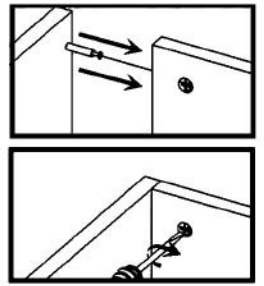
M1


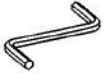



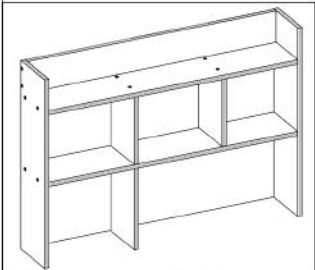
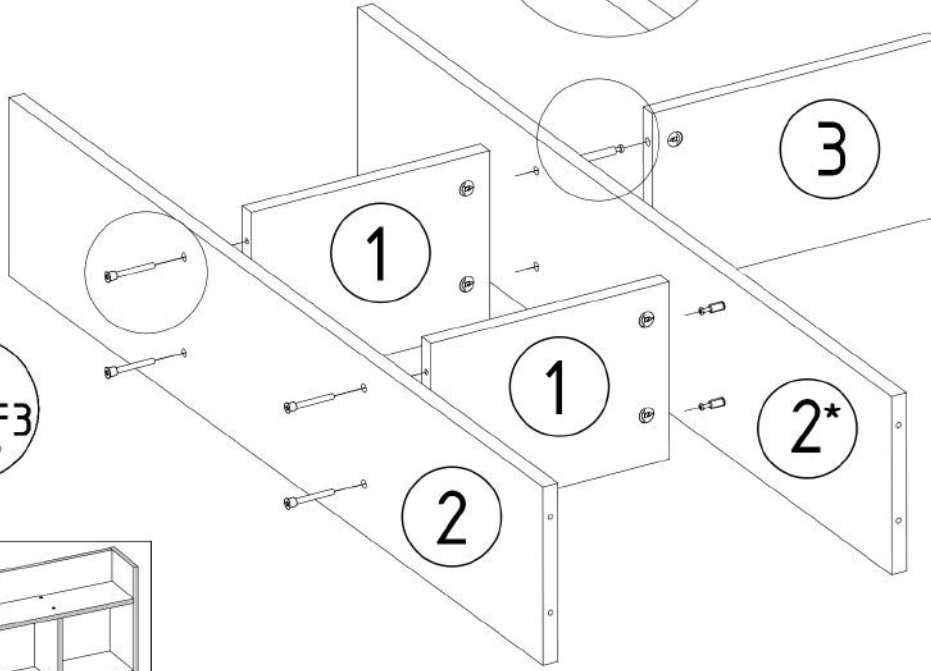
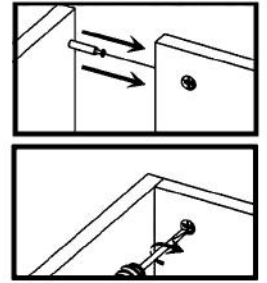
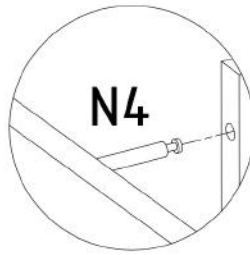
12x15mm **x2**


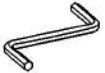


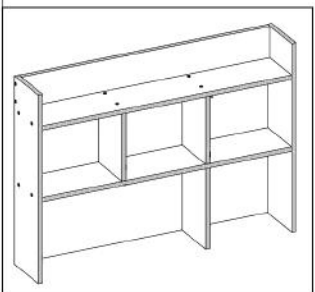
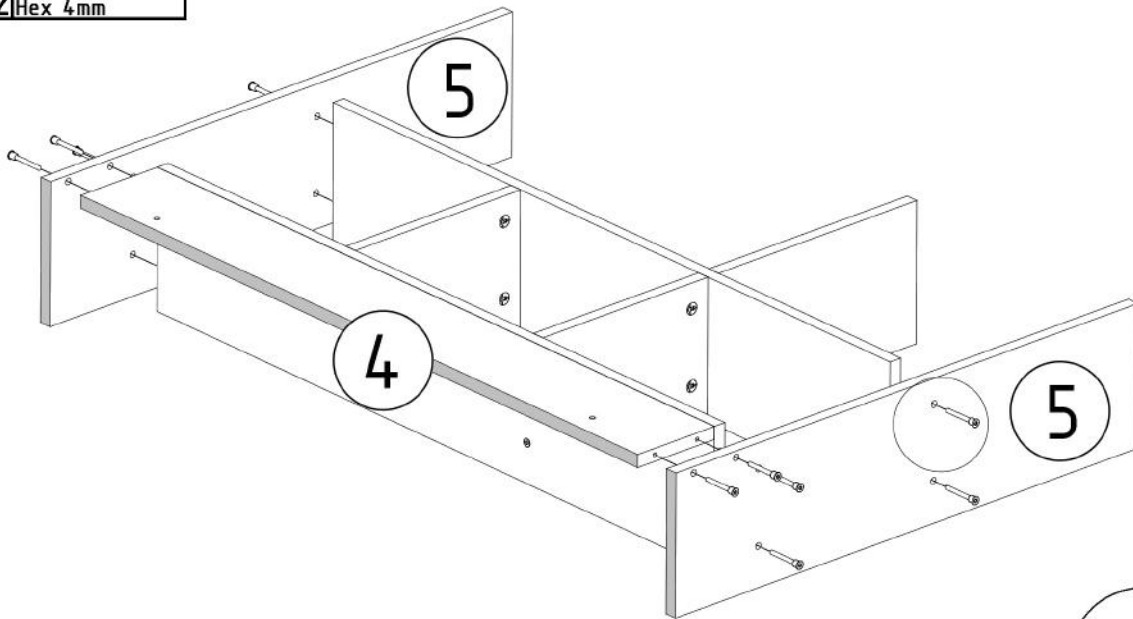
<p>F1</p>  <p>7x50mm x4</p>	<p>F3</p>  <p>Hex 4mm</p>	<p>N4</p>  <p>L=62mm x2</p>
---	---	--

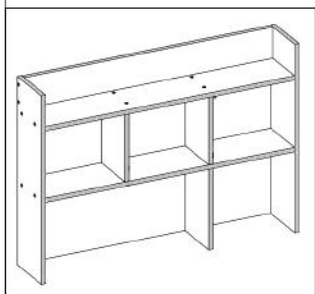
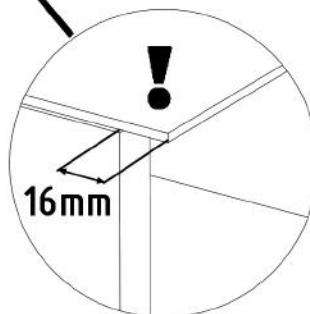
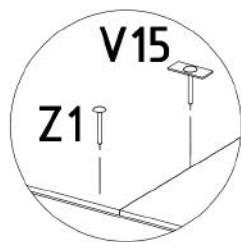
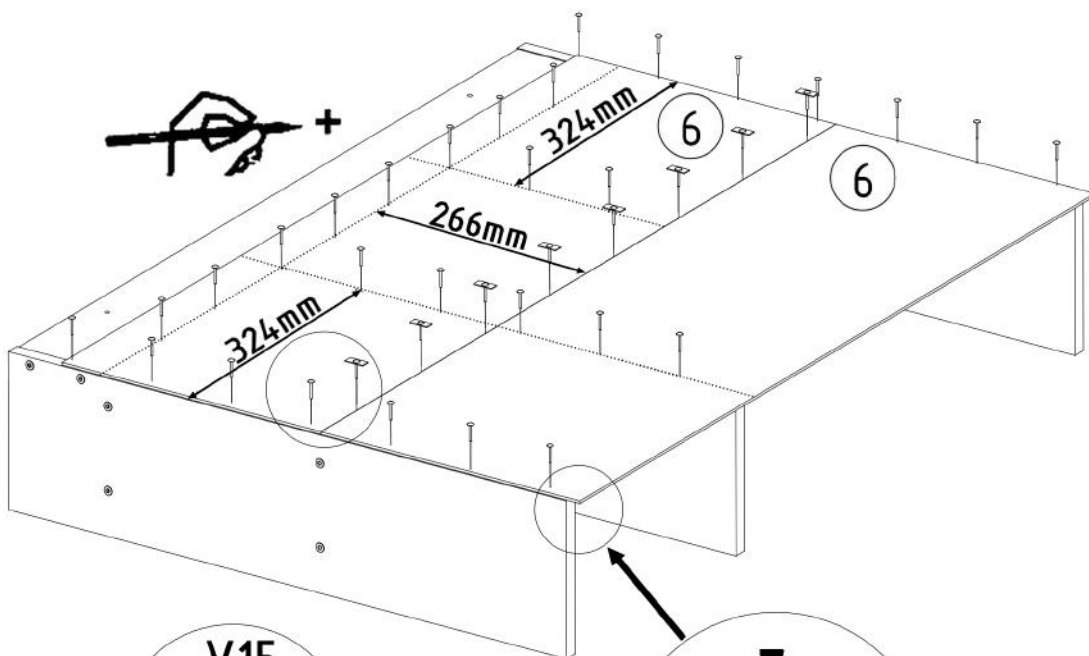
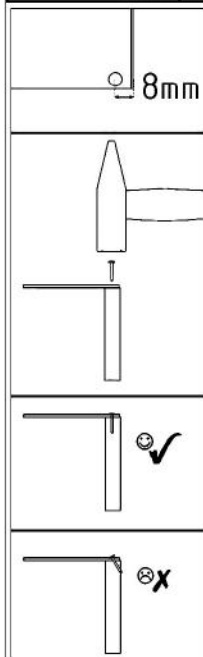
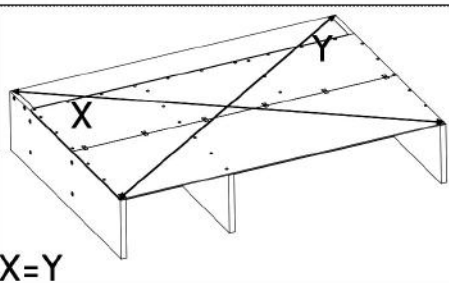
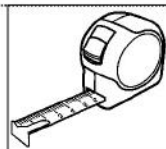
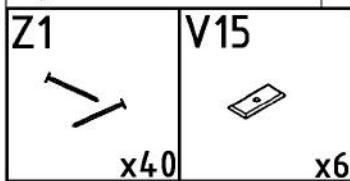
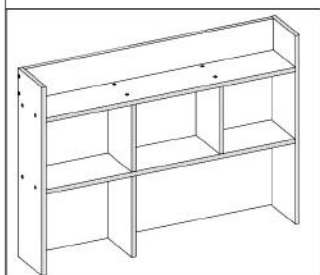
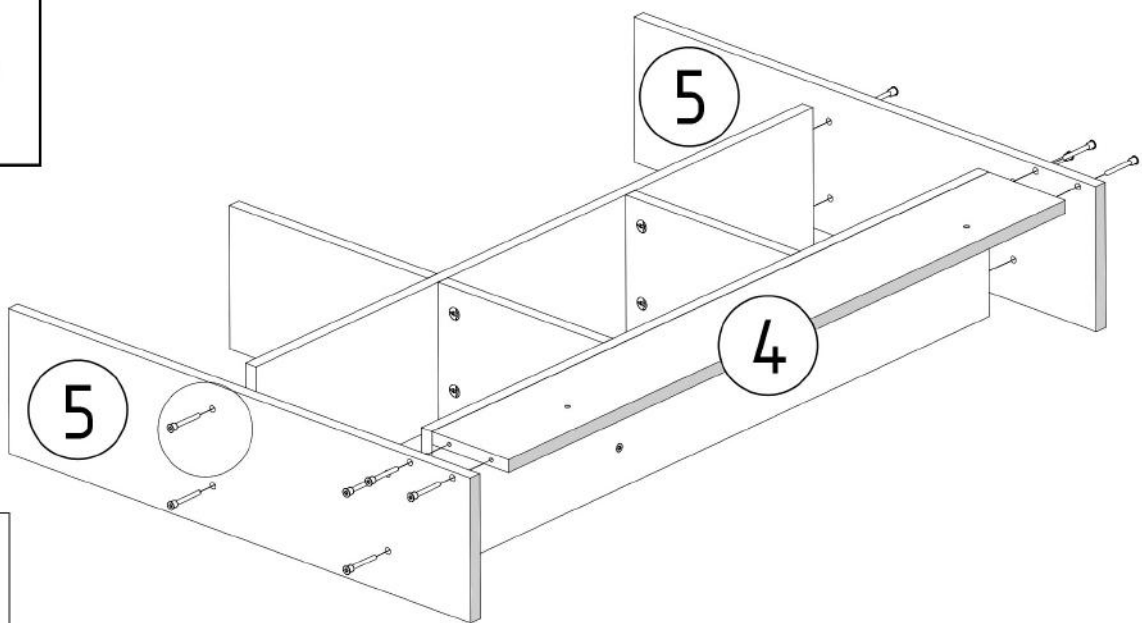
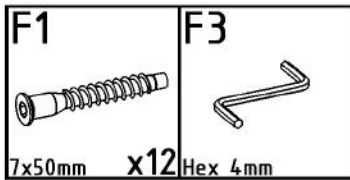


F1  7x50mm X4	F3  Hex 4mm	N4  L=62mm X2
---	--	--



F1  7x50mm X12	F3  Hex 4mm
--	---





S9



4x16mm x6

