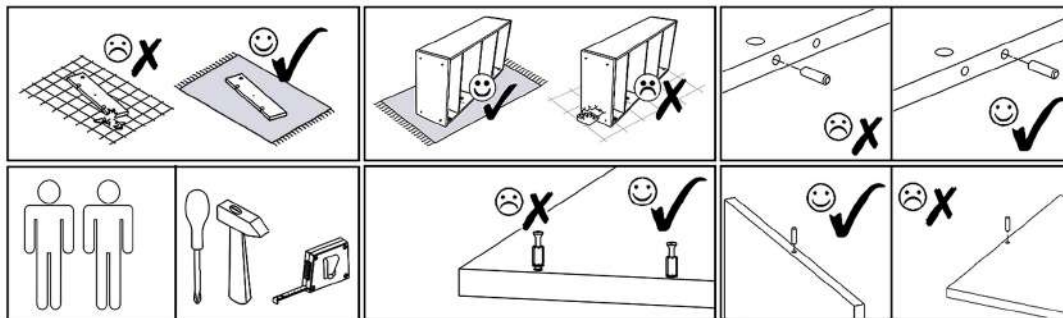




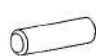










## KUBA\_6S

PRODUCTION DATE

PACKING CODE

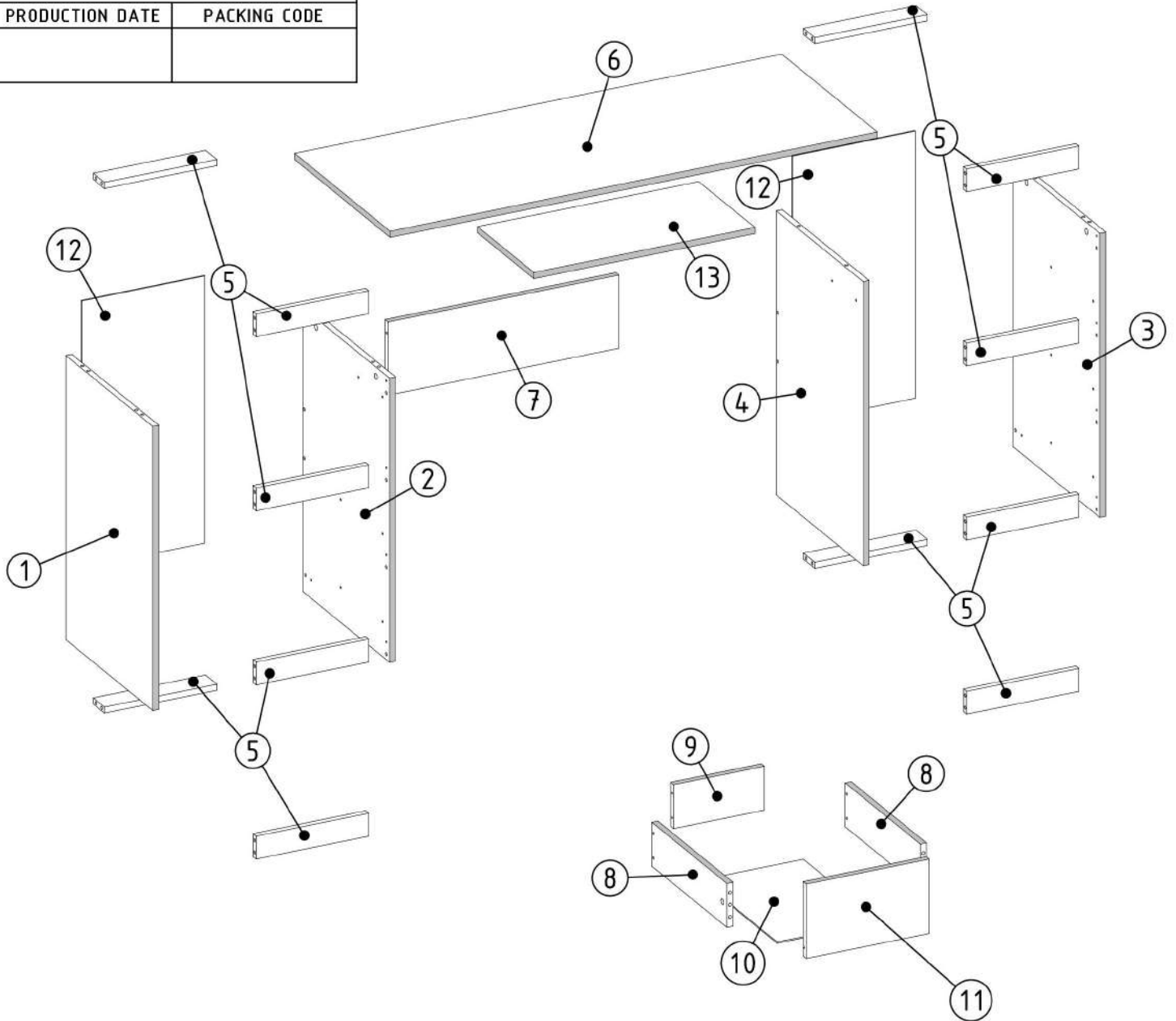


<b>N1</b>  L=35mm x44	<b>M1</b>  12x15mm x44	<b>Z2</b>  x24	<b>S1</b>  3,5x16mm x28	<b>E1</b>  8x30mm x56	<b>F3</b>  Hex 4mm x1	
<b>T1</b>  x8	<b>Z1</b>  x100	<b>P2</b>  L=300mm x1	<b>P4</b>  L=400mm x6	<b>R1</b>  6x8mm x28	<b>F1</b>  7x50mm x4	<b>B1</b>  ø17/4mm x12





## KUBA\_6S



PRODUCTION DATE

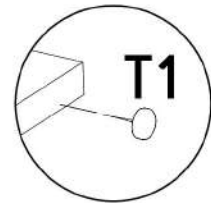
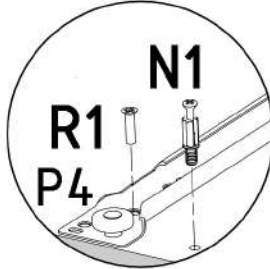
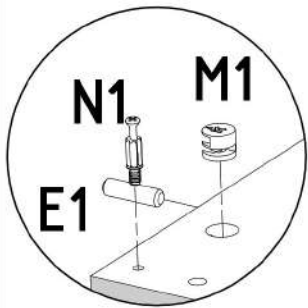
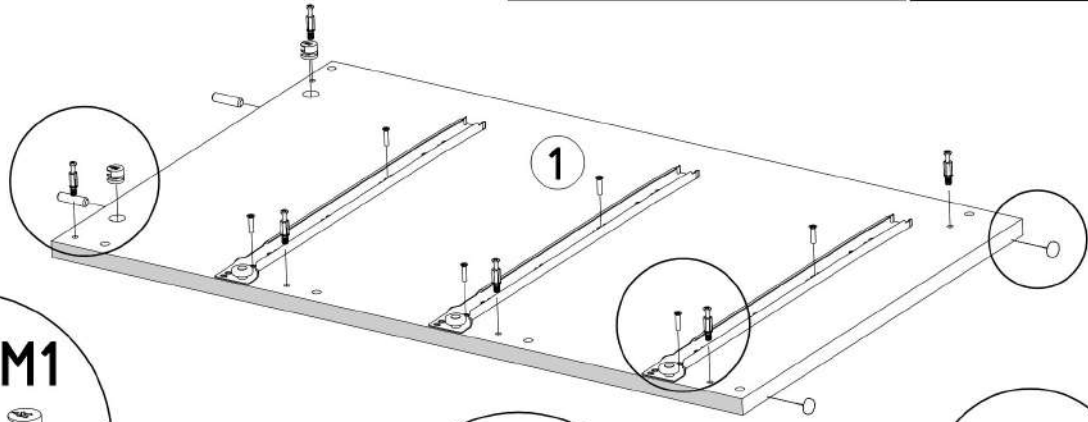
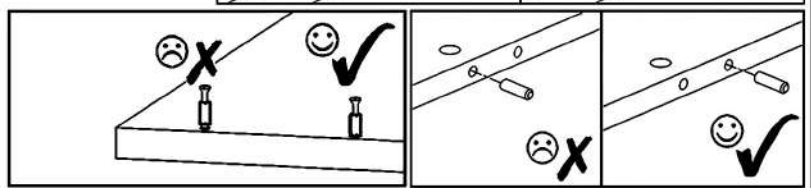
PACKING CODE









000119	13	1
000345	12	2
000043	11	6
000020	10	6
000006	9	6
000082	8	12
000133	7	1
000344	6	1
000030	5	12
000184	4	1
000183	3	1
000185	2	1
000182	1	1
ID	NUMBER	QUANTITY

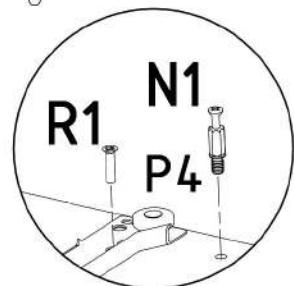
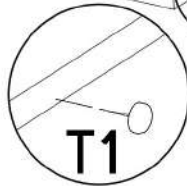
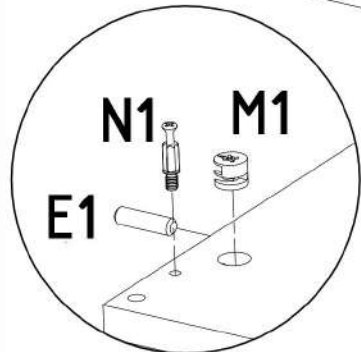
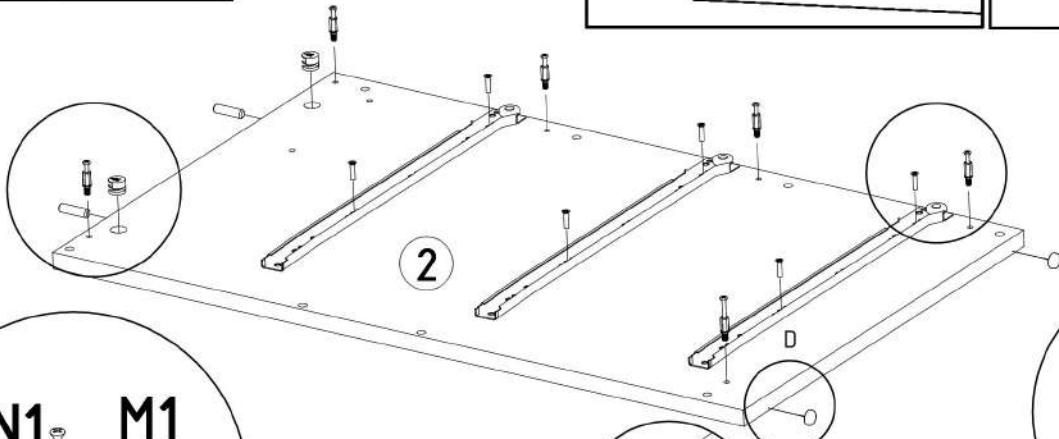
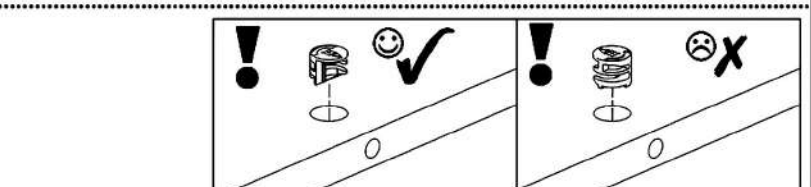
<b>N1</b>  L=35mm x6	<b>M1</b>  12x15mm x2	<b>R1</b>  6x8mm x6	<b>P4</b>  L=400mm x3
---	---	---	--





<b>E1</b>  8x30mm x2	<b>T1</b>  x2
--	--





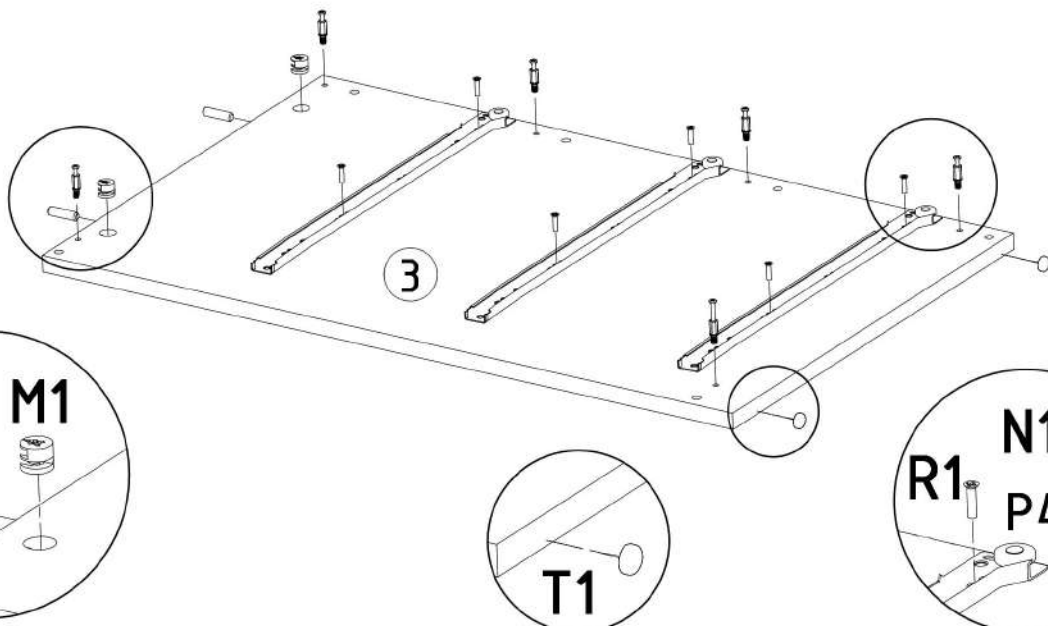
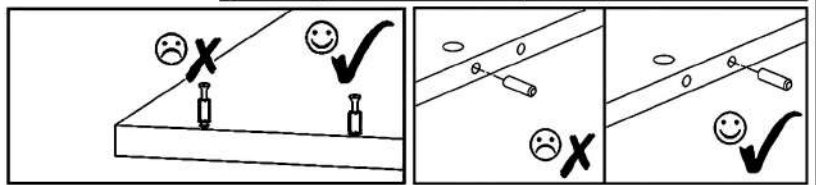
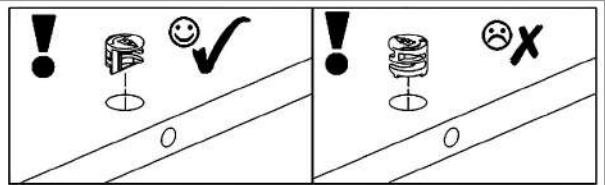
<b>N1</b>  L=35mm x6	<b>M1</b>  12x15mm x2	<b>P4</b>  L=400mm x3	<b>R1</b>  6x8mm x6
--	--	--	--





<b>E1</b>  8x30mm x2	<b>T1</b>  x2
--	--


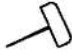


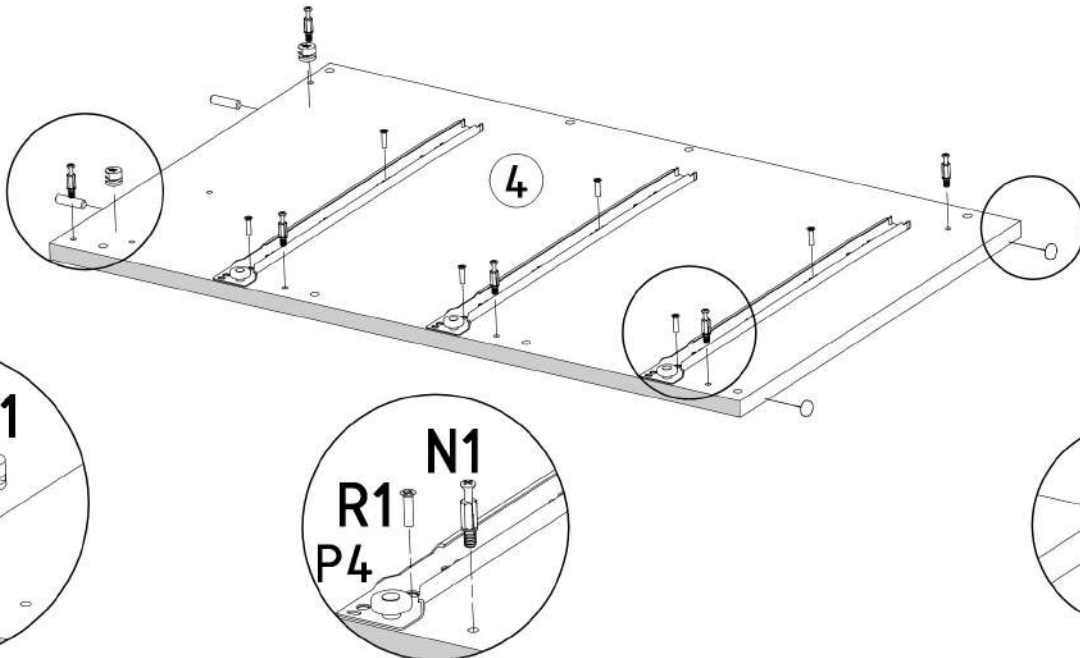
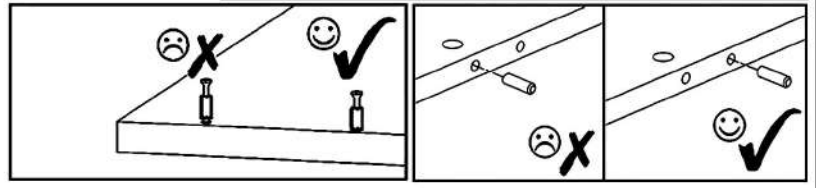
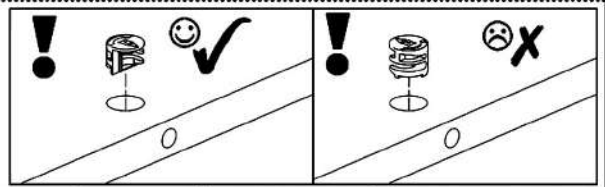
<b>N1</b>  L=35mm x6	<b>M1</b>  12x15mm x2	<b>P4</b>  L=400mm x3	<b>R1</b>  6x8mm x6
--	--	--	--

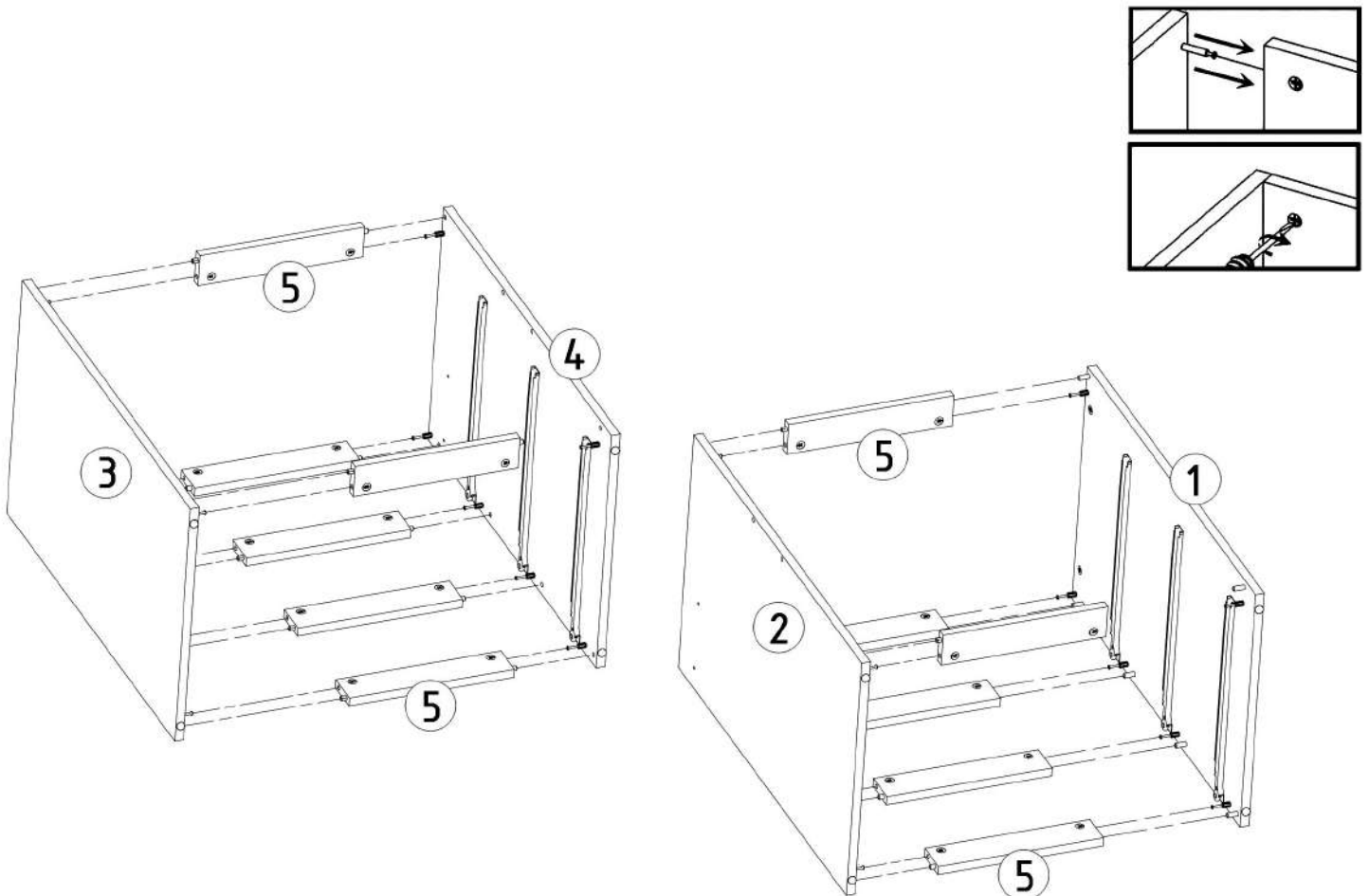
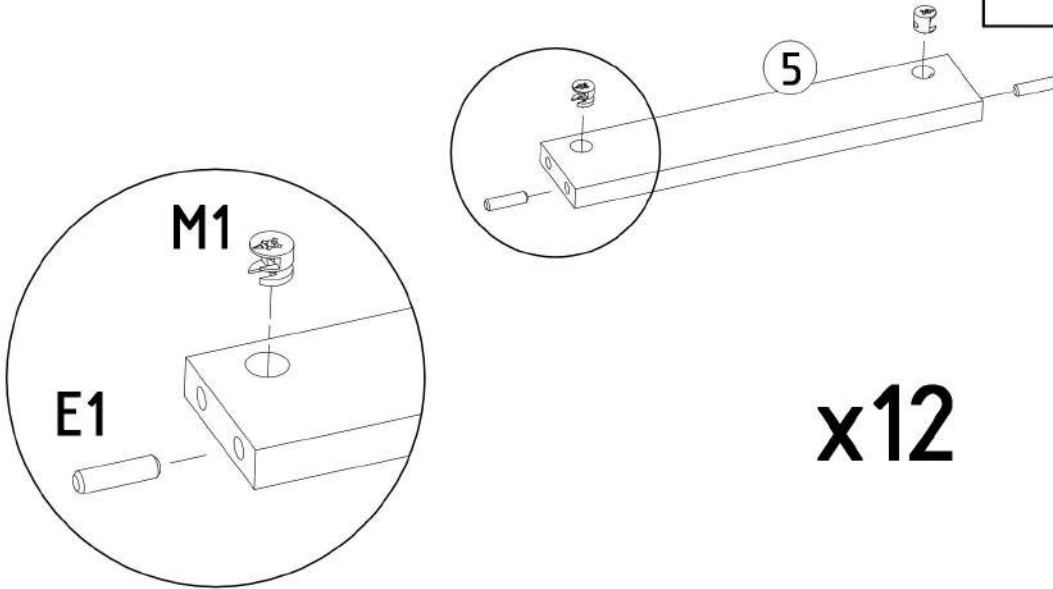
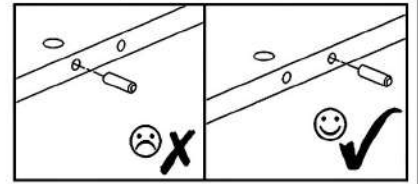
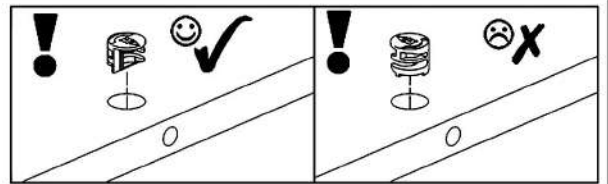
<b>E1</b>  8x30mm x2	<b>T1</b>  x2
--	--





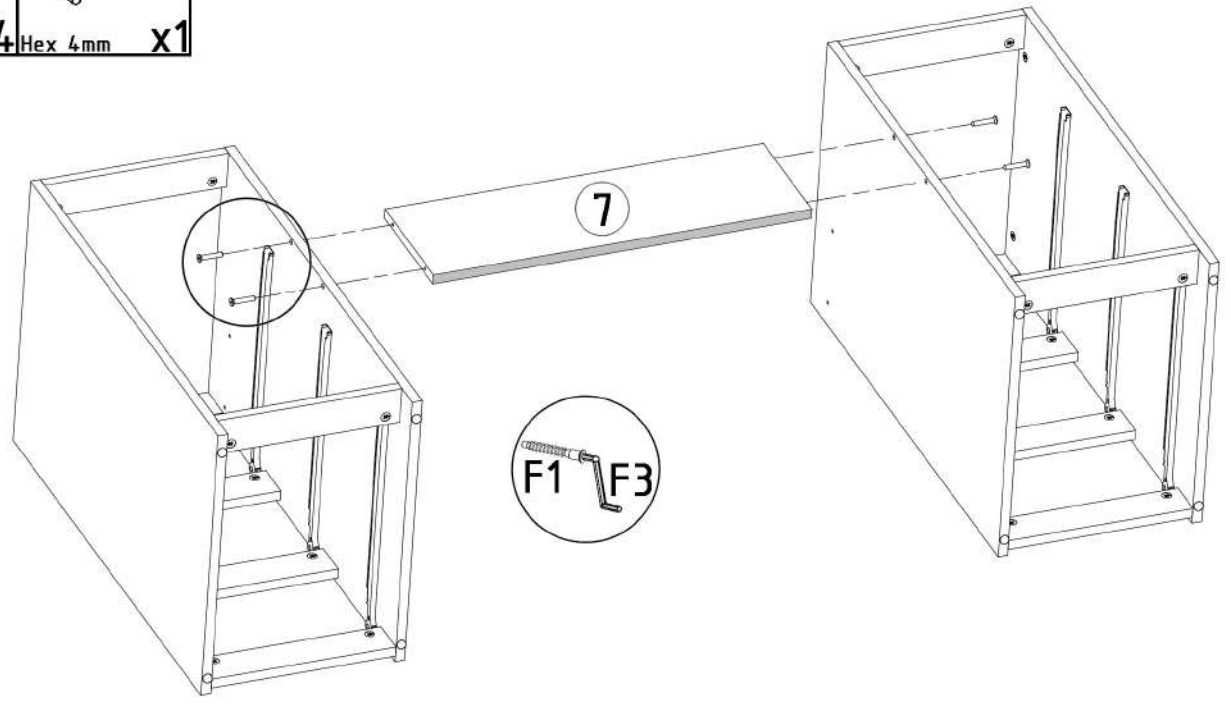
<b>N1</b>  L=35mm x6	<b>M1</b>  12x15mm x2	<b>P4</b>  L=400mm x3	<b>R1</b>  6x8mm x6
--	--	--	--

<b>E1</b>  8x30mm x2	<b>T1</b>  x2
--	--

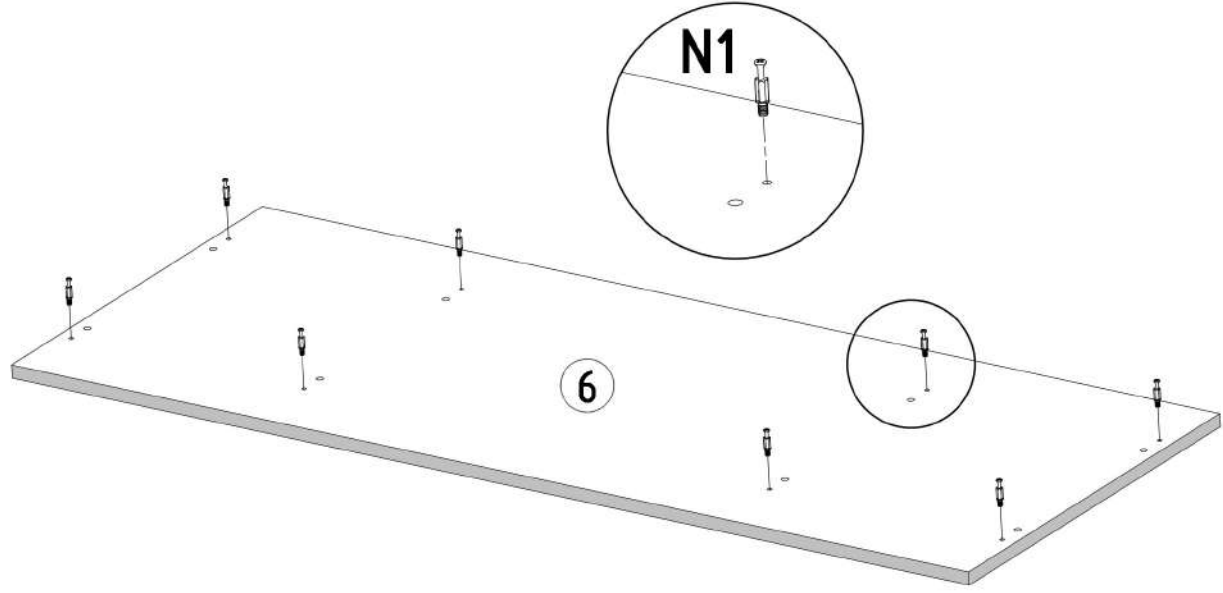
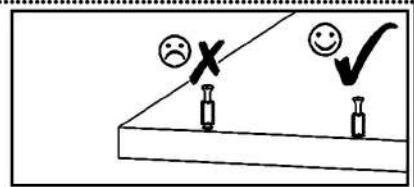


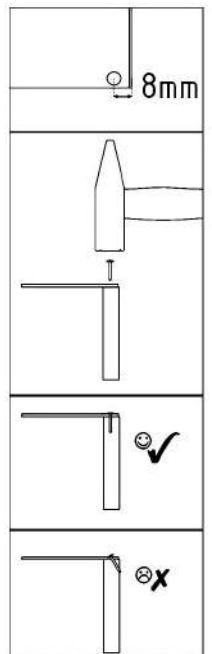
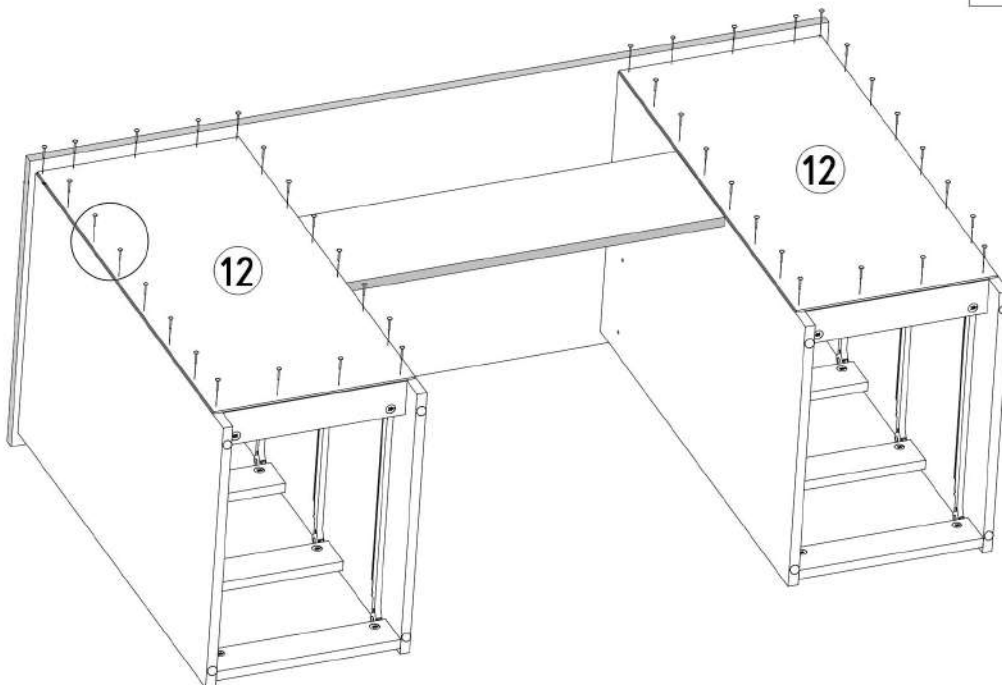
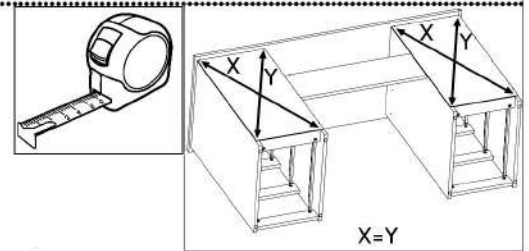
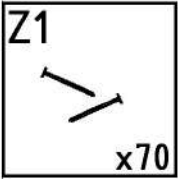
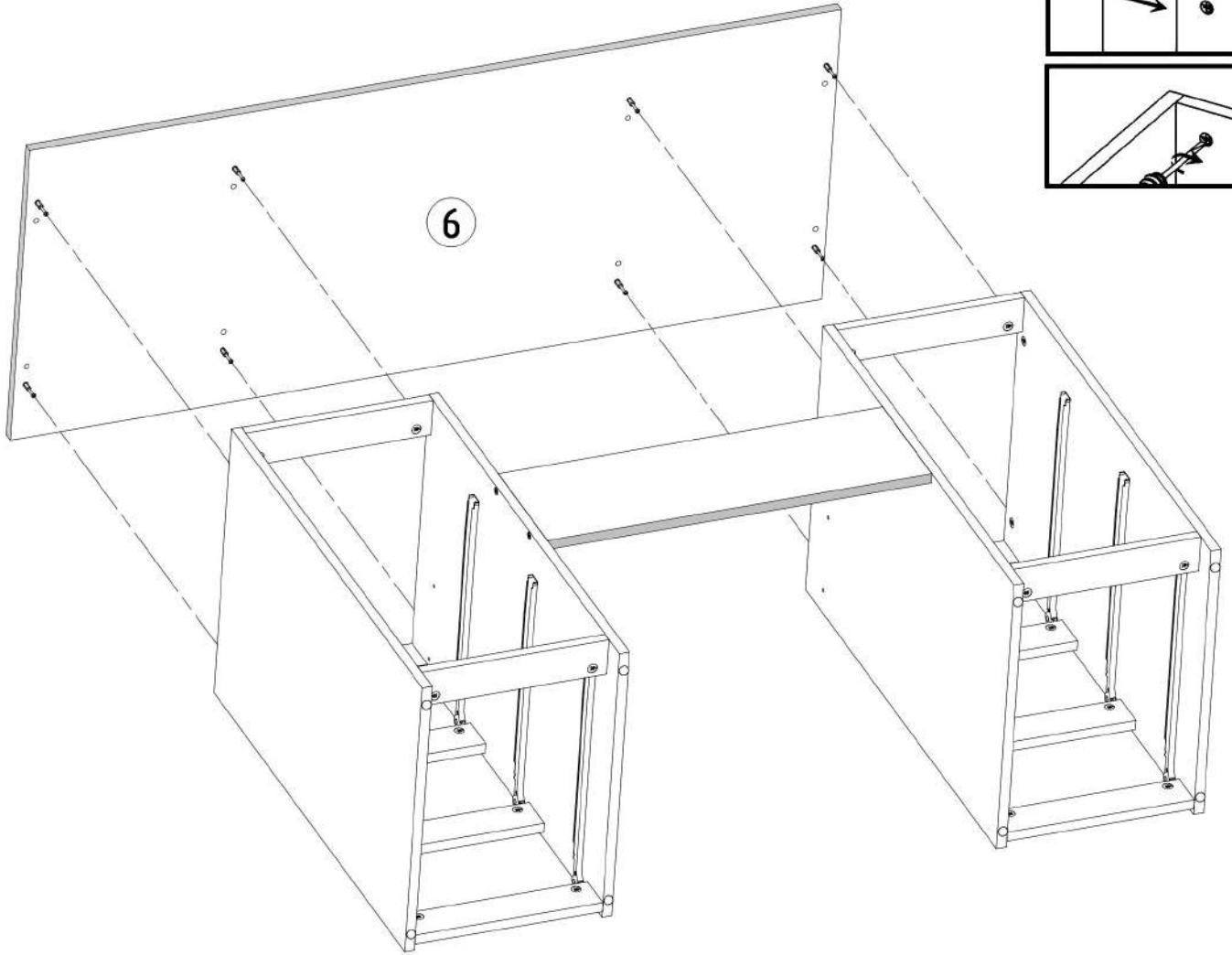


<b>F1</b>  7x50mm <b>X4</b>	<b>F3</b>  Hex 4mm <b>X1</b>
--	--




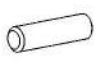
<b>N1</b>  L=35mm <b>X8</b>
---

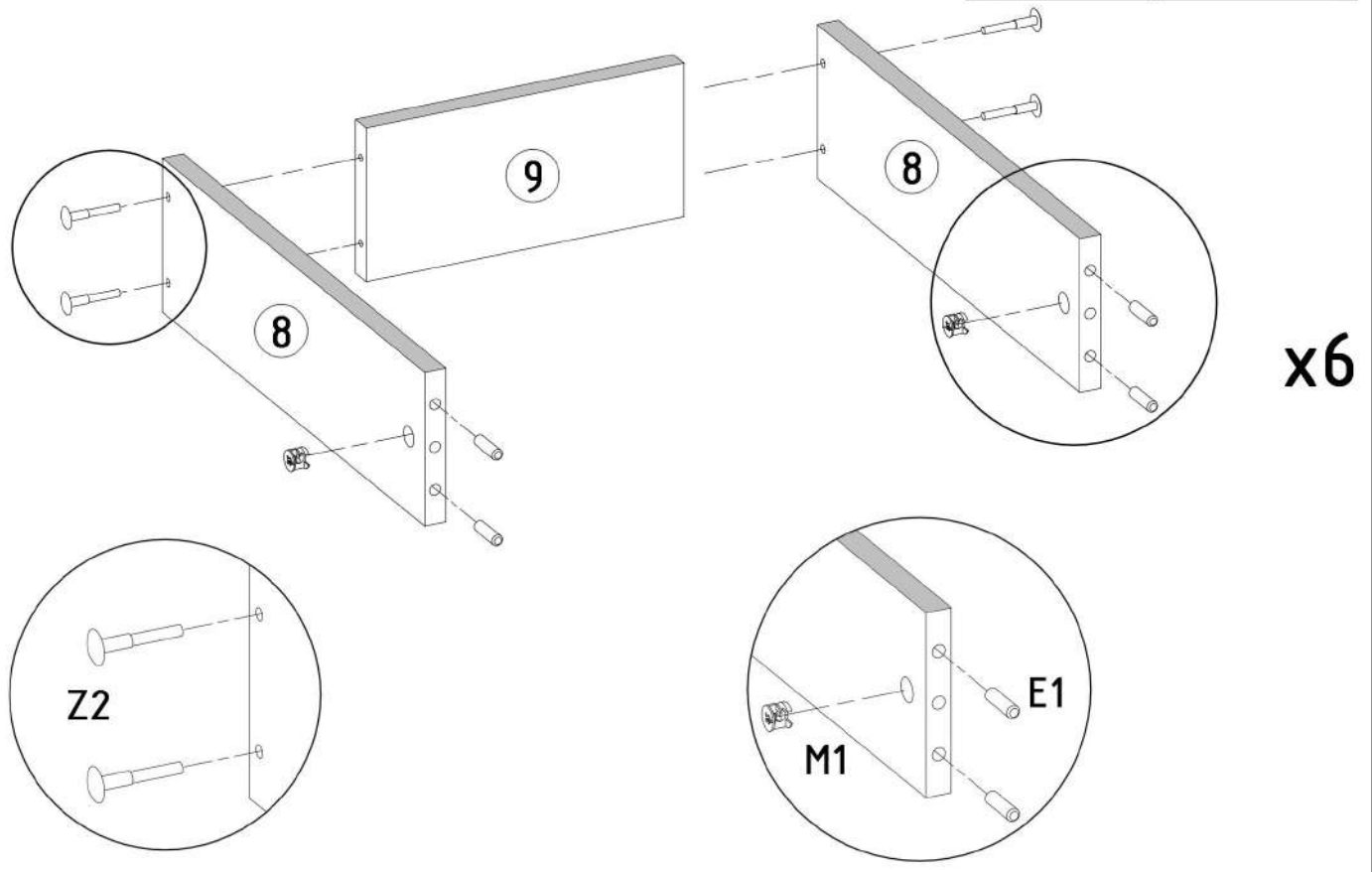
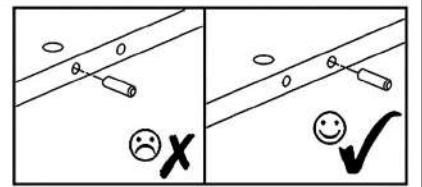
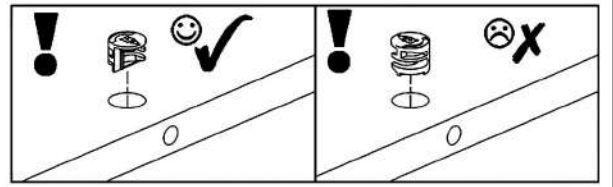




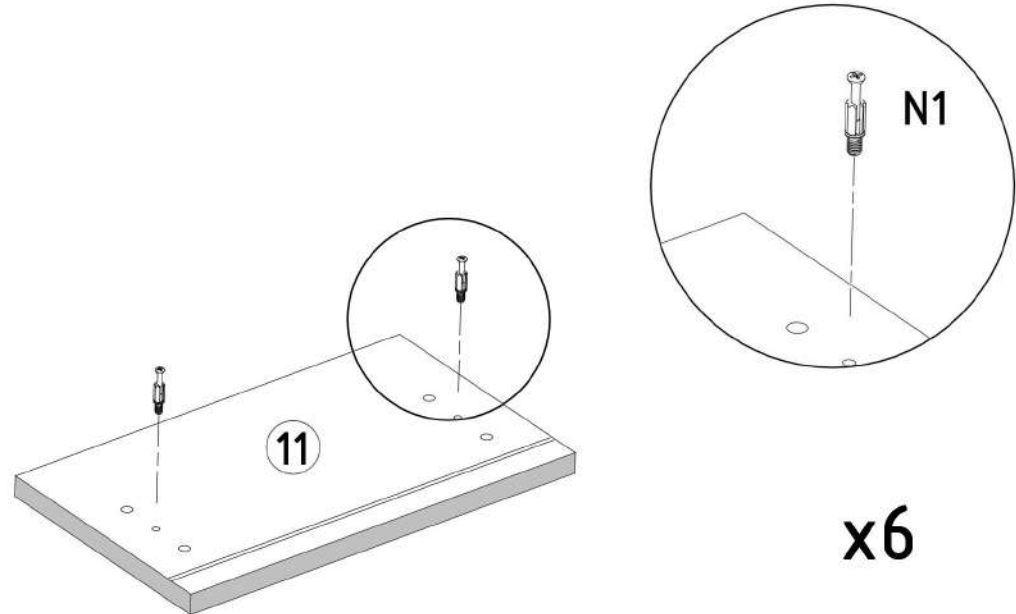
**M1**  
  
 12x15mm x12

**Z2**  
  
 x24


**E1**  
  
 8x30mm x24



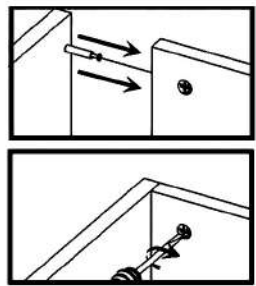
**N1**  
  
 L=35mm x12



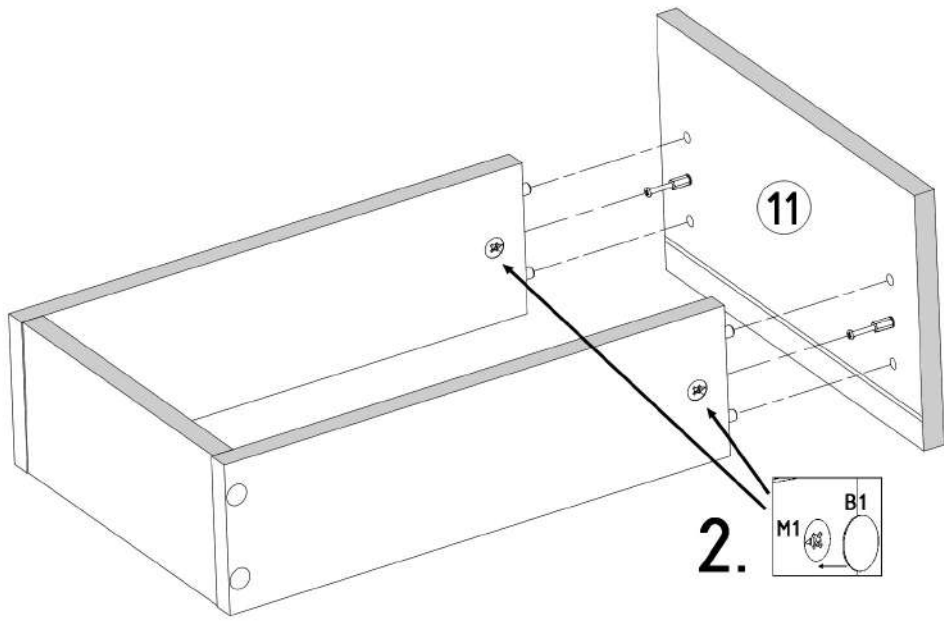
**B1**



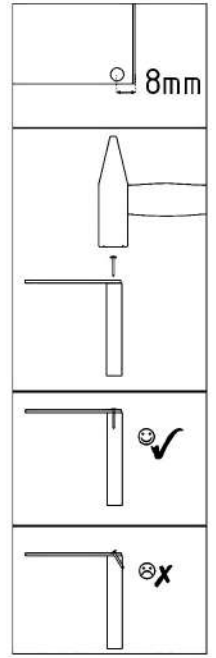
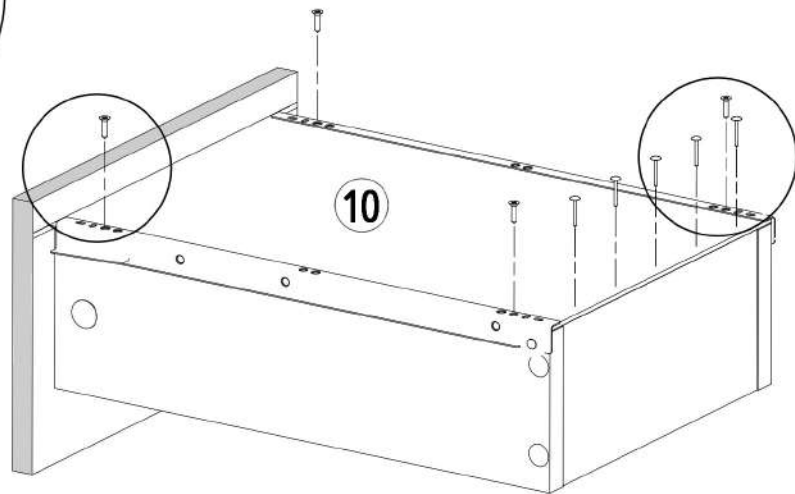
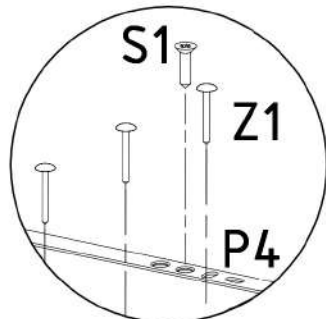
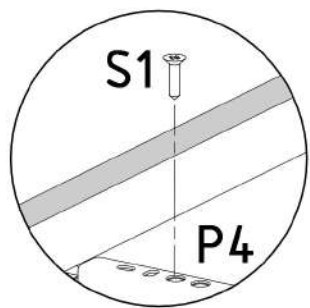
∅17.4mm x12



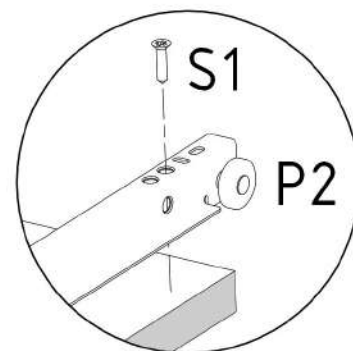
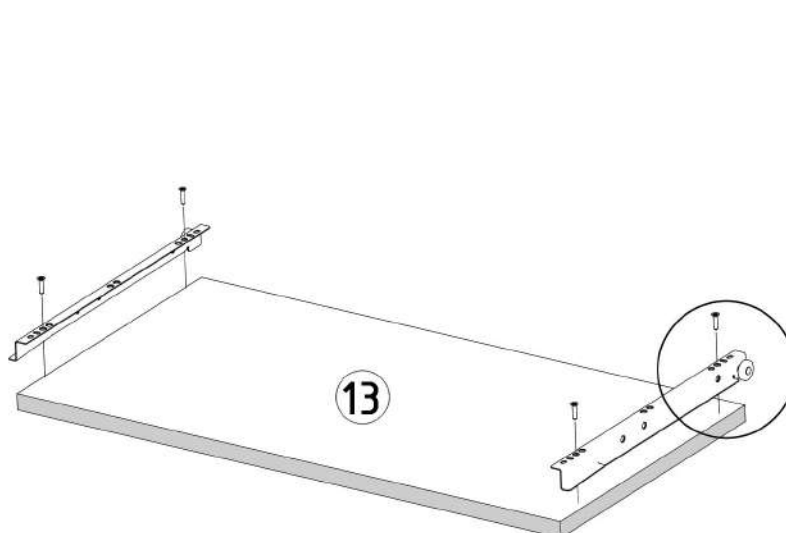
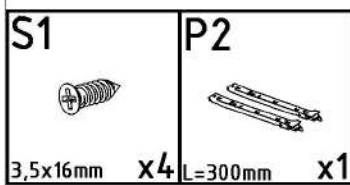
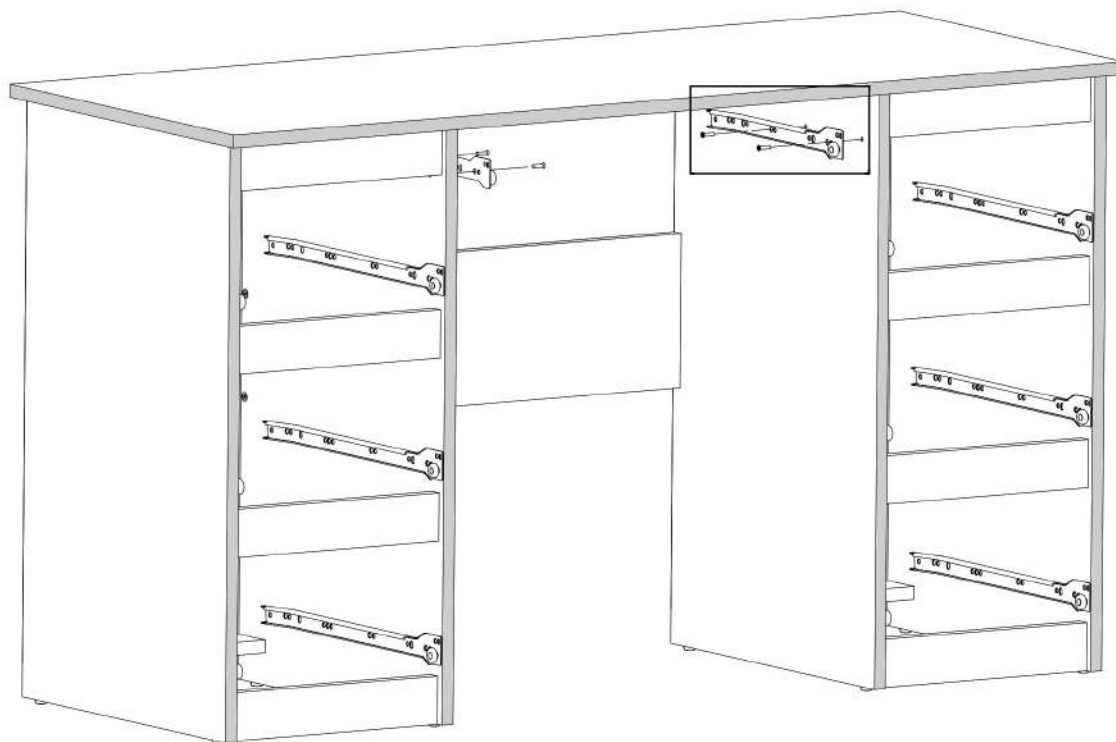
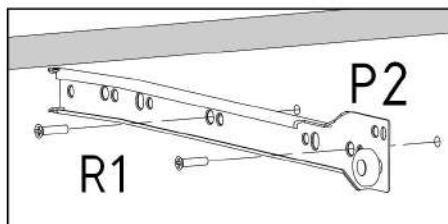
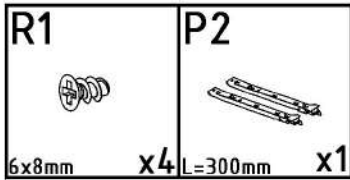
1.

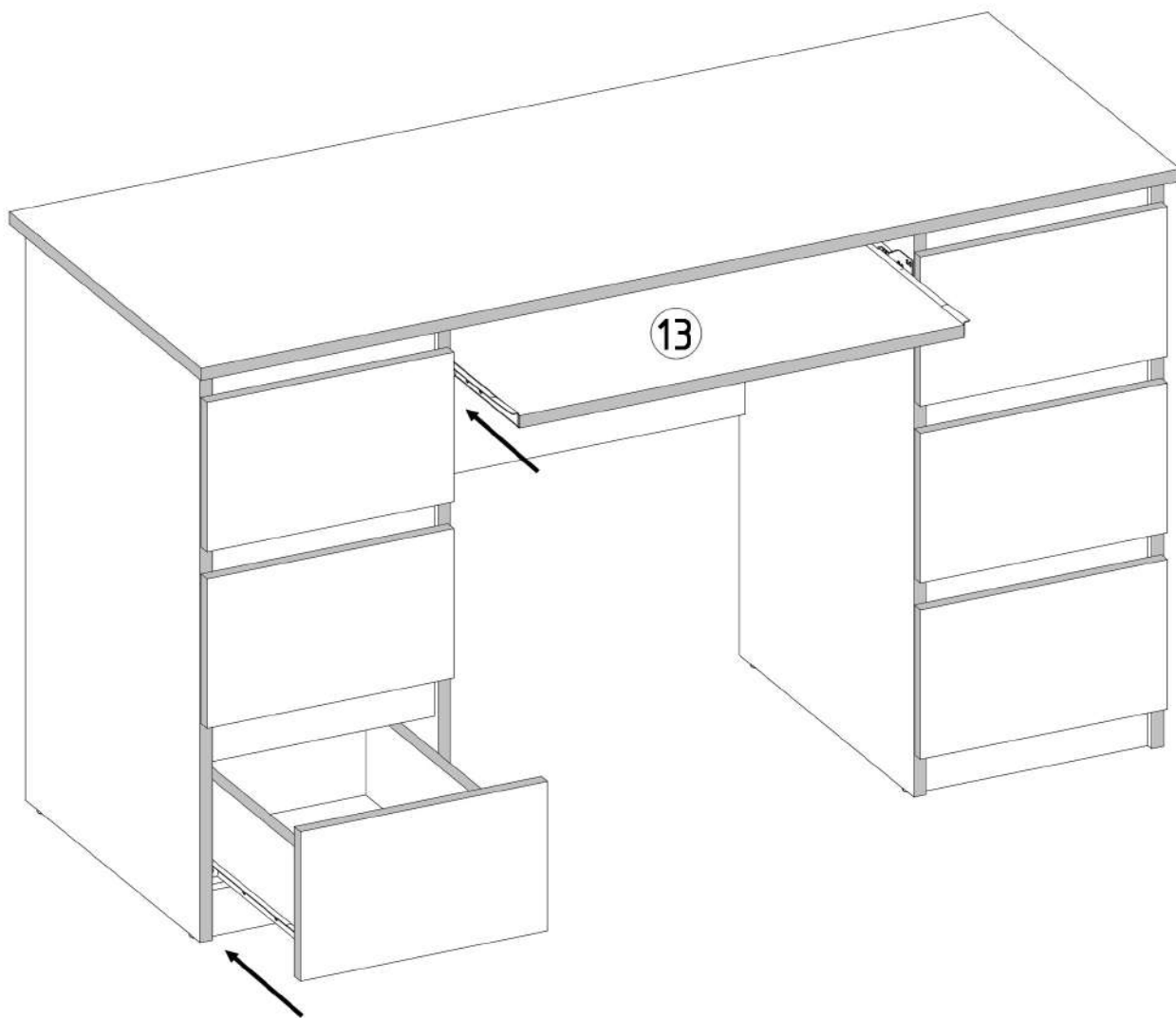


<b>Z1</b>	<b>S1</b>	<b>P4</b>
		
x30	3,5x16mm x24	L=400mm x6



x6

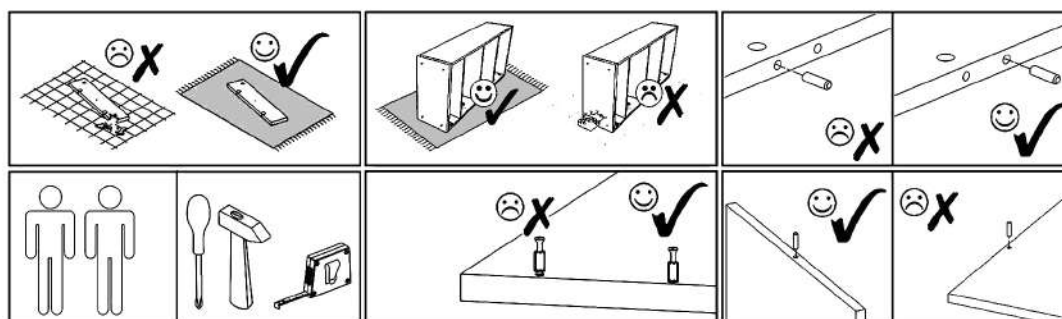
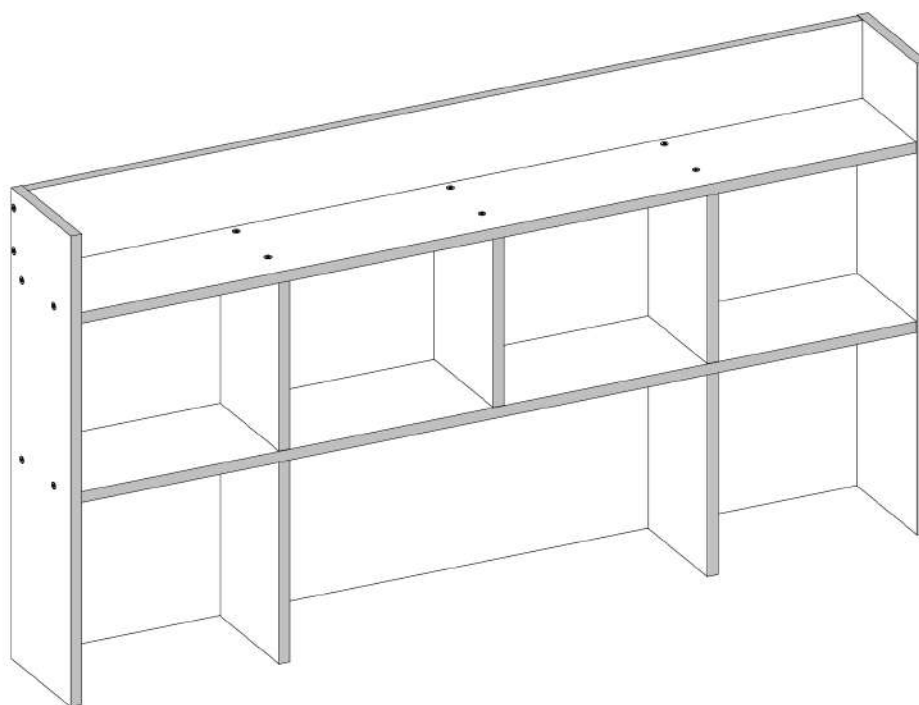




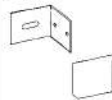











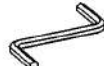

# NDST\_130

PRODUCTION DATE

PACKING CODE

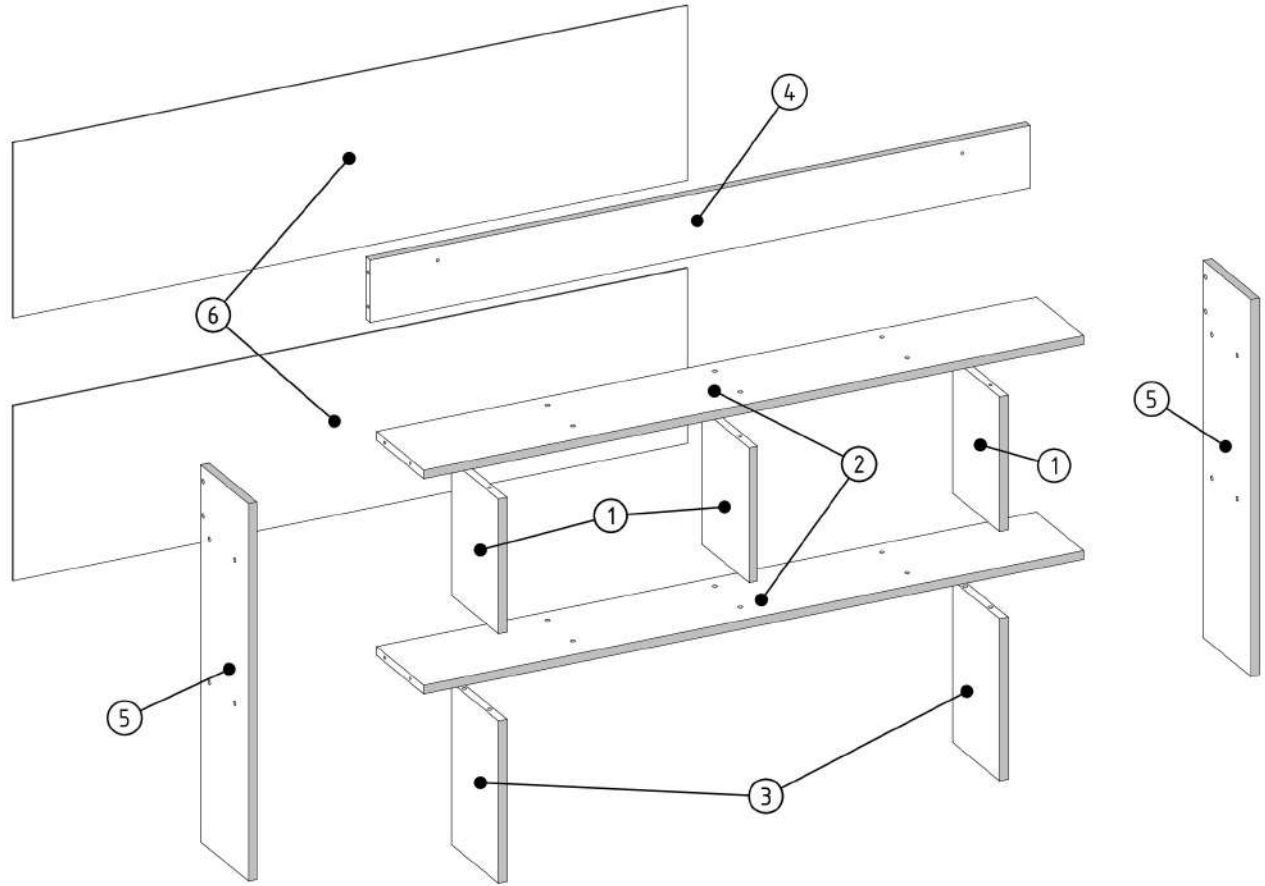


<b>B1</b>  ø17/4mm x10	<b>B2</b>  ø12/4mm x18	<b>V61</b>  x2	<b>V60</b>  8,5X10,5mm x2	<b>S9</b>  4x16mm x8	<b>B3</b>  ø7-8/5mm x2
---	---	---	--	---	--

<b>N1</b>  L=35mm x2	<b>S1</b>  3,5x16mm x4	<b>N4</b>  L=62mm x4	<b>V15</b>  x8	<b>Z1</b>  x50	<b>F1</b>  7x50mm x18	<b>F3</b>  Hex 4mm x1	<b>M1</b>  12x15mm x10	IM250324
--	---	---	---	---	---	--	---	----------

# NDST\_130

PRODUCTION DATE	PACKING CODE

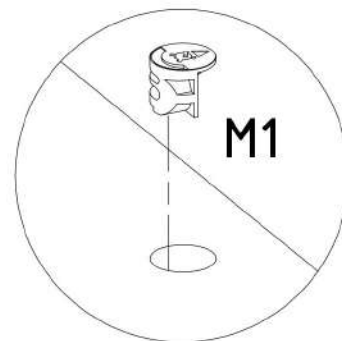
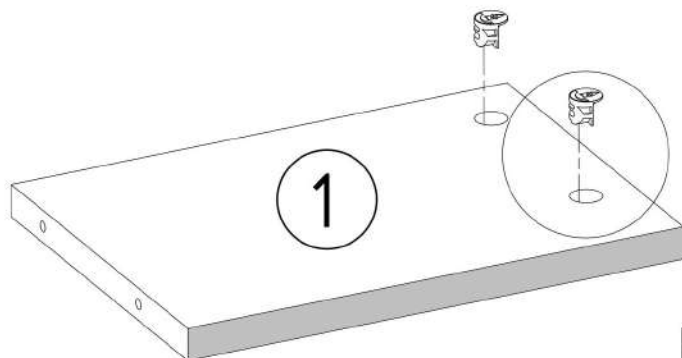


001593	6	2
001582	5	2
001591	4	1
001584	3	2
001589	2	2
001586	1	3
ID	NUMBER	QUANTITY

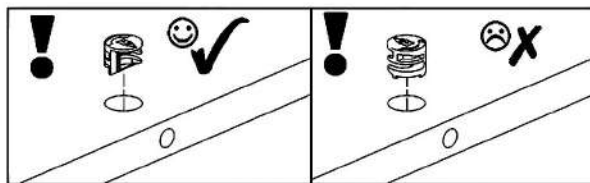
M1



12x15mm x6



x3



N1

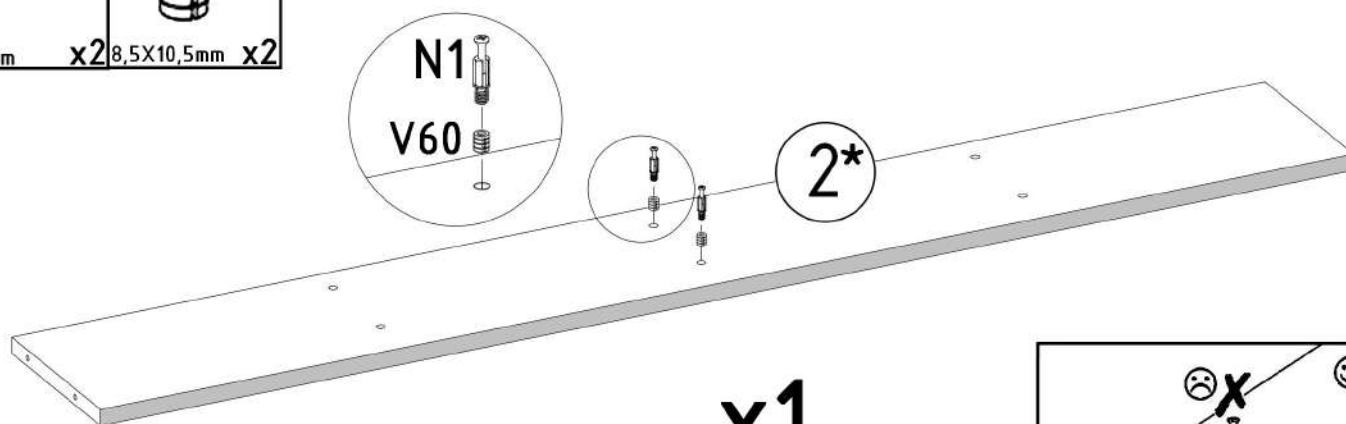
V60



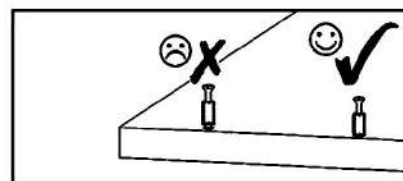
L=35mm x2



8,5X10,5mm x2



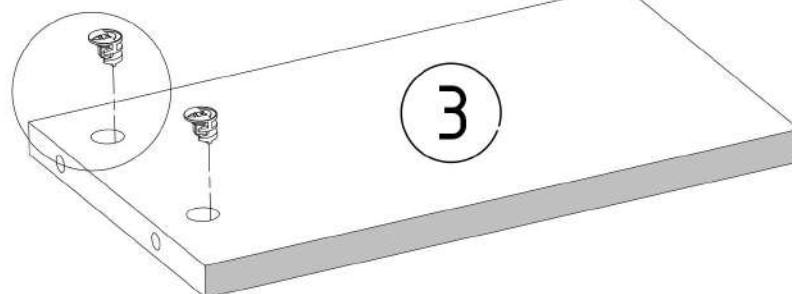
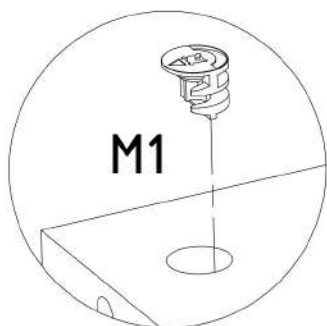
x1



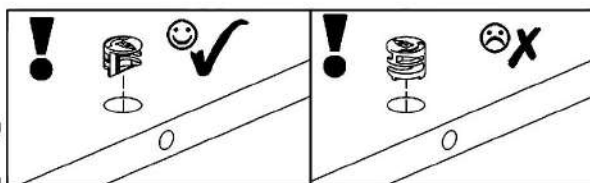
M1






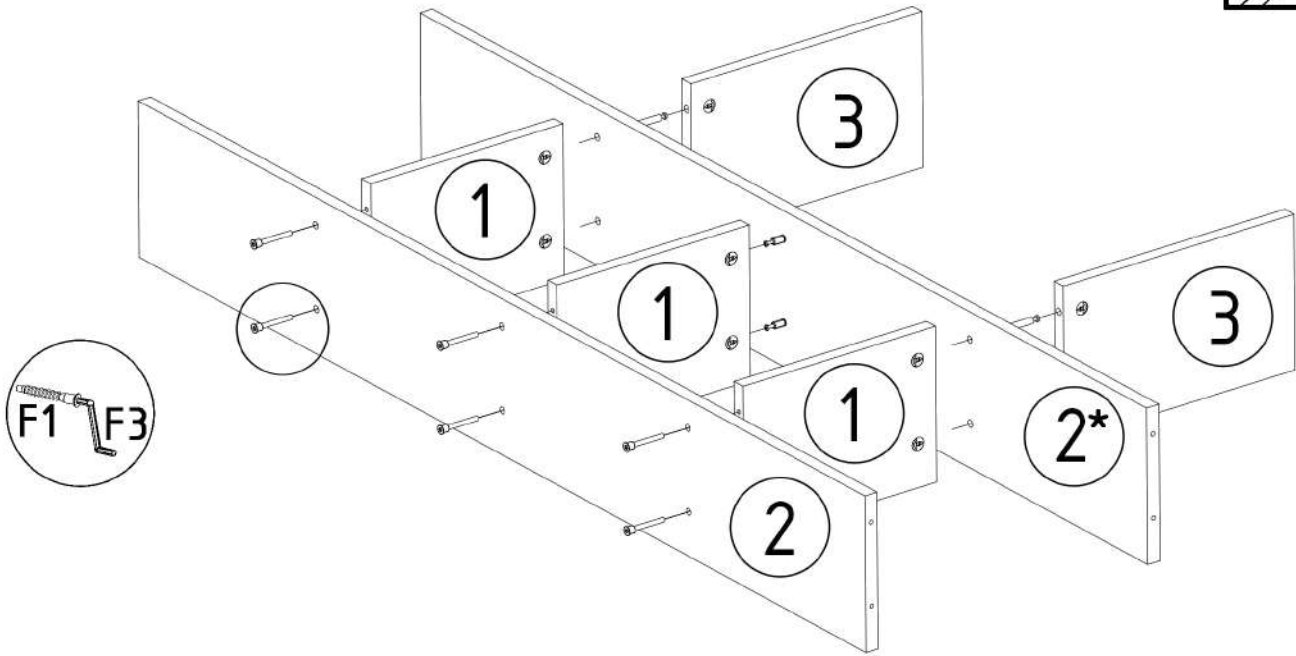
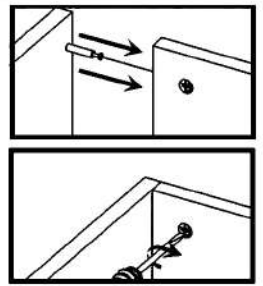
12x15mm x4





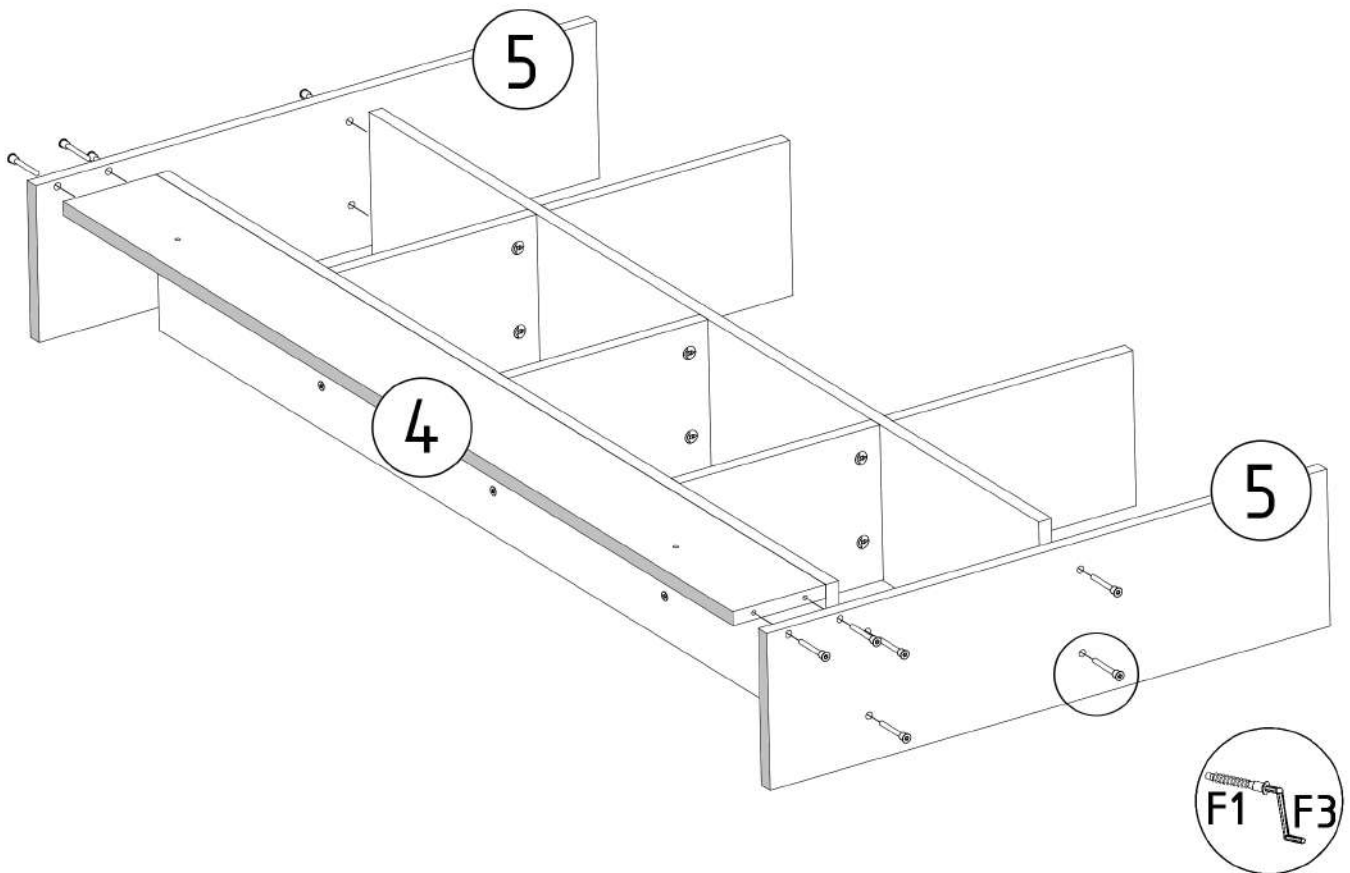
x2

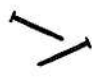



<b>N4</b>  L=62mm	<b>F1</b>  7x50mm	<b>F3</b>  Hex 4mm
<b>x4</b>	<b>x6</b>	

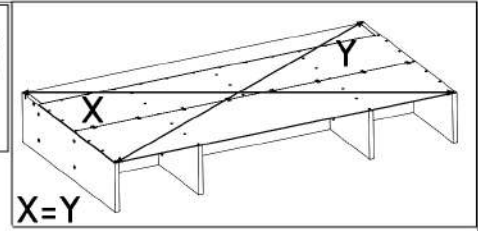
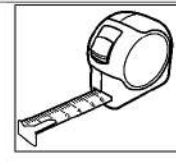


<b>F1</b>  7x50mm	<b>F3</b>  Hex 4mm
<b>x12</b>	

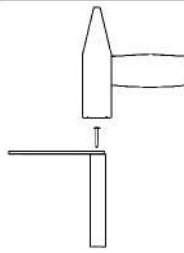
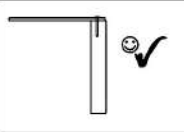
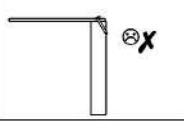
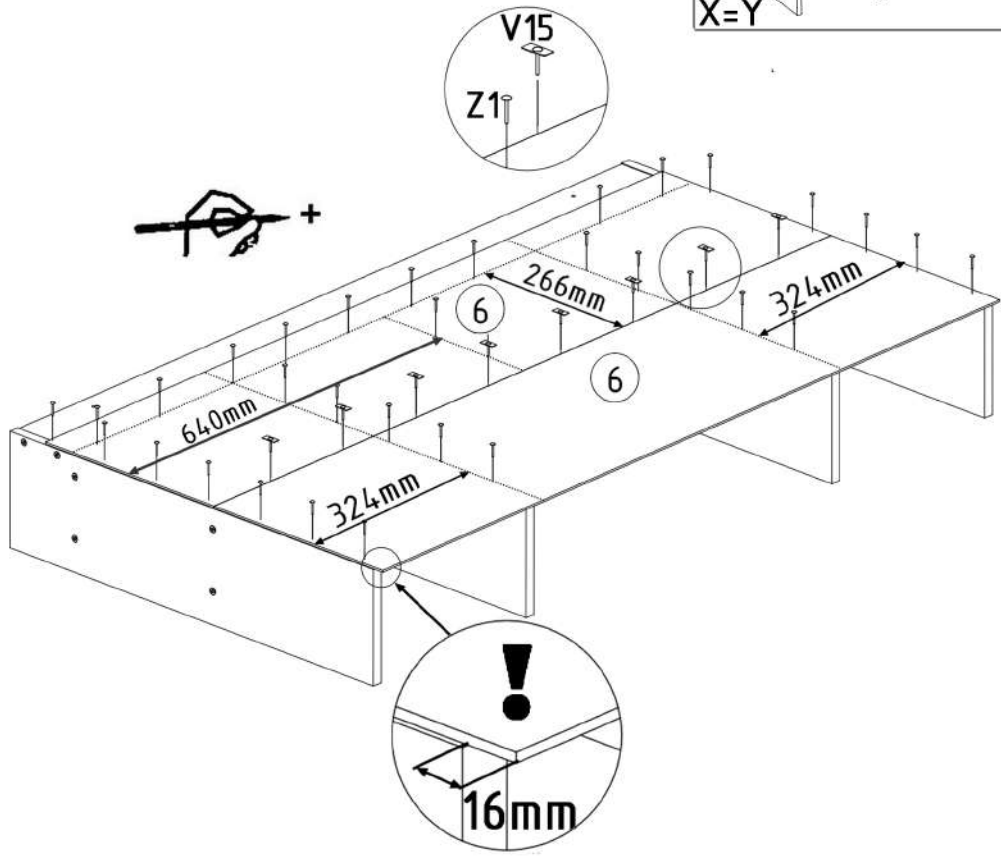


**Z1**  
  
 x50

**V15**  
  
 x8


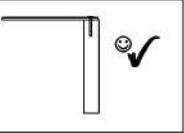
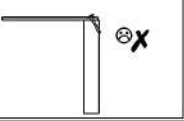
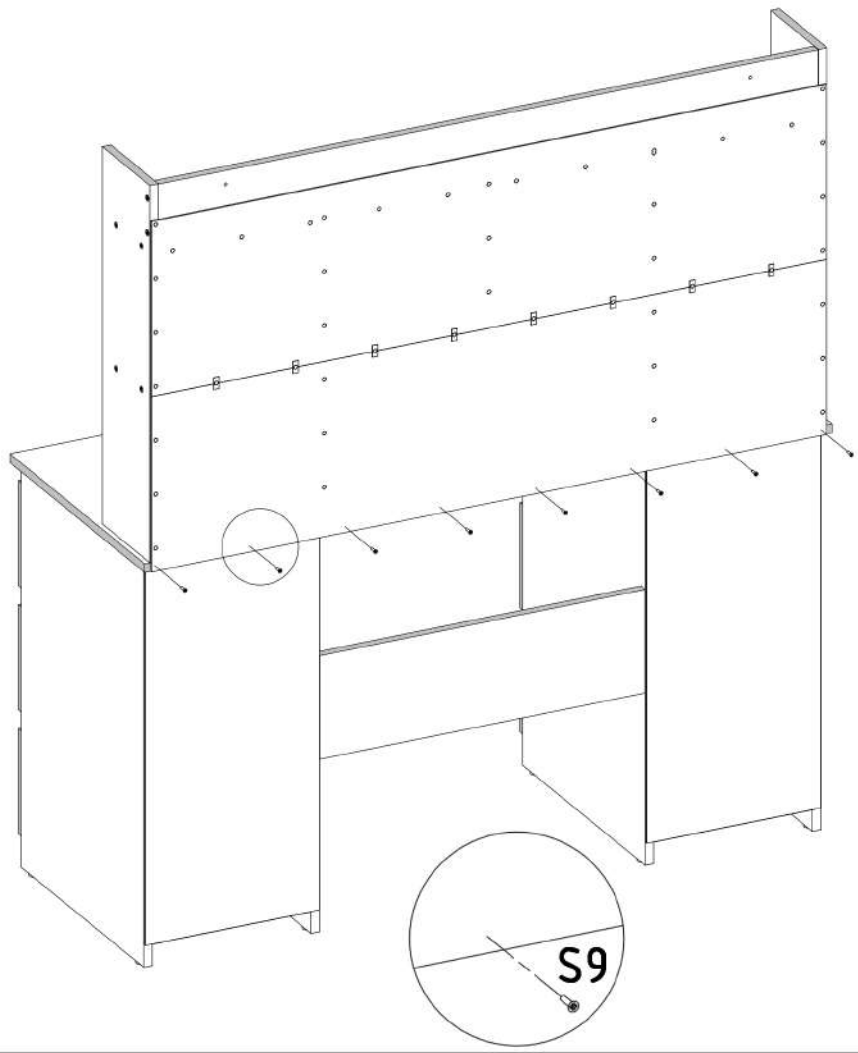




8mm


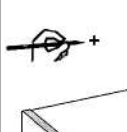







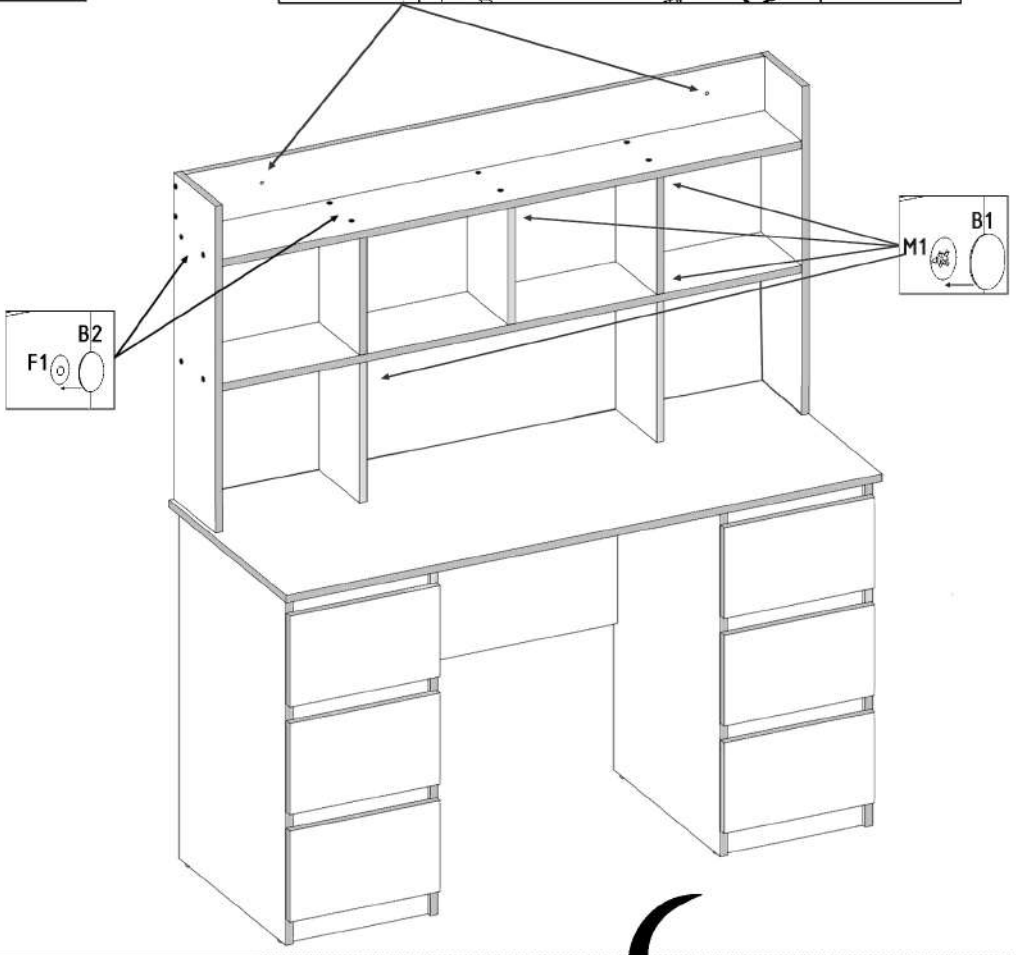
**S9**  
  
 4x16mm x8

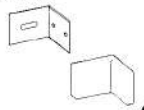


8mm








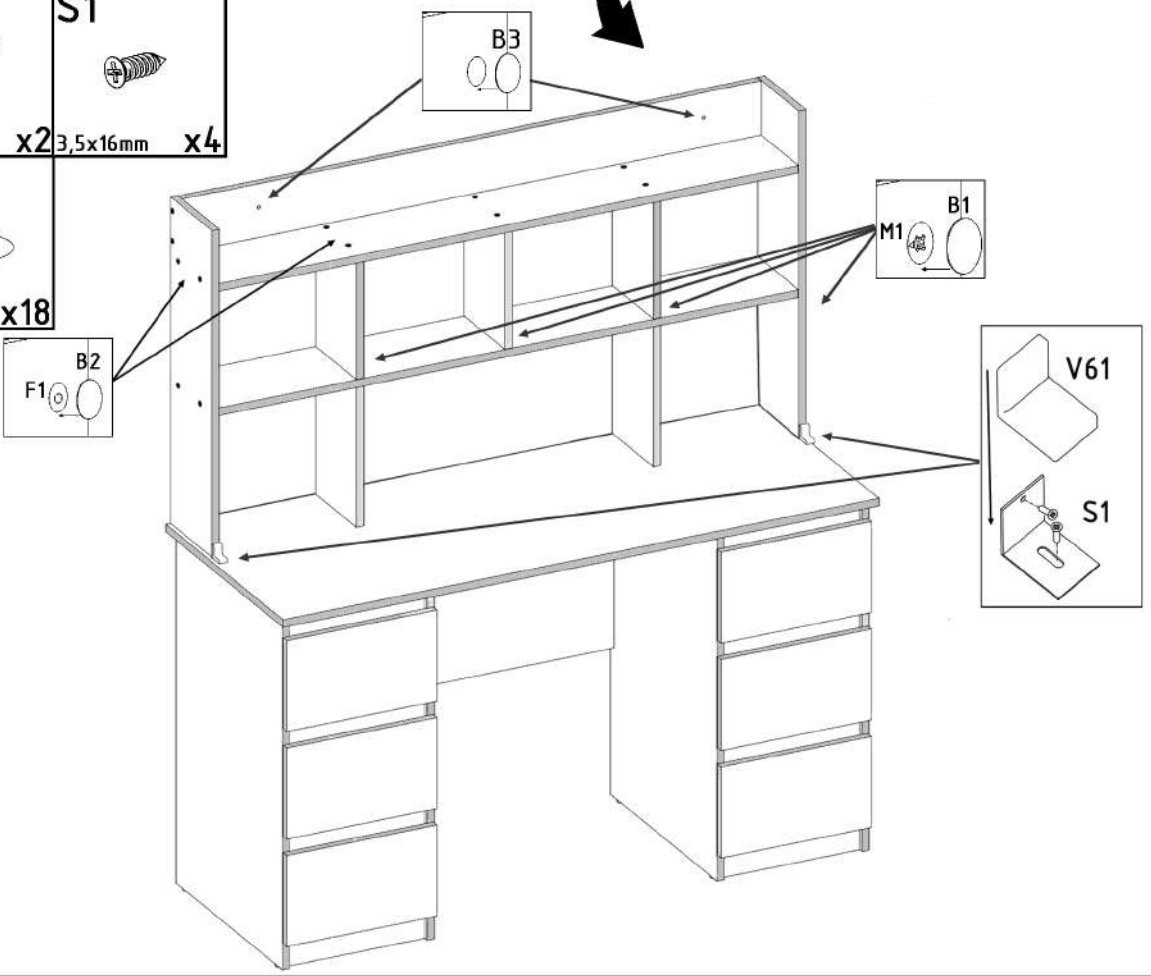
<b>B1</b>  ø17/4mm x10	<b>B2</b>  ø12/4mm x18
--	---

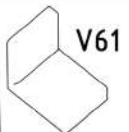
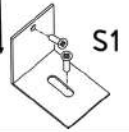
			
--	--	---	--



<b>V61</b>  x2	<b>B3</b>  ø7-8/5mm x2	<b>S1</b>  3,5x16mm x4
--	---	---

<b>B1</b>  ø17/4mm x10	<b>B2</b>  ø12/4mm x18
---	---



 V61	 S1
--	---