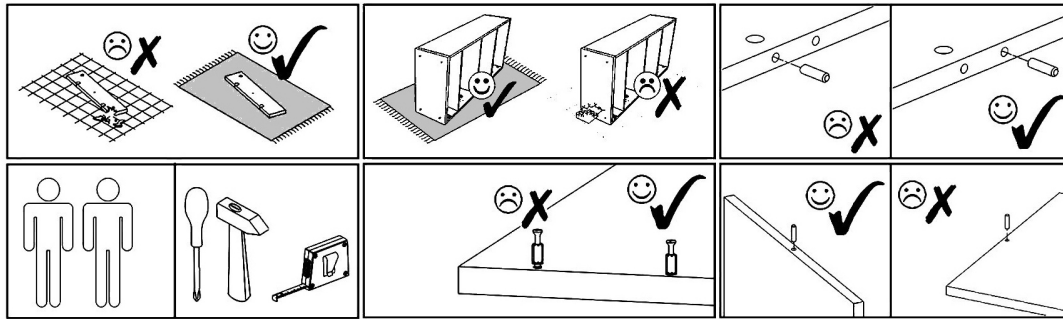
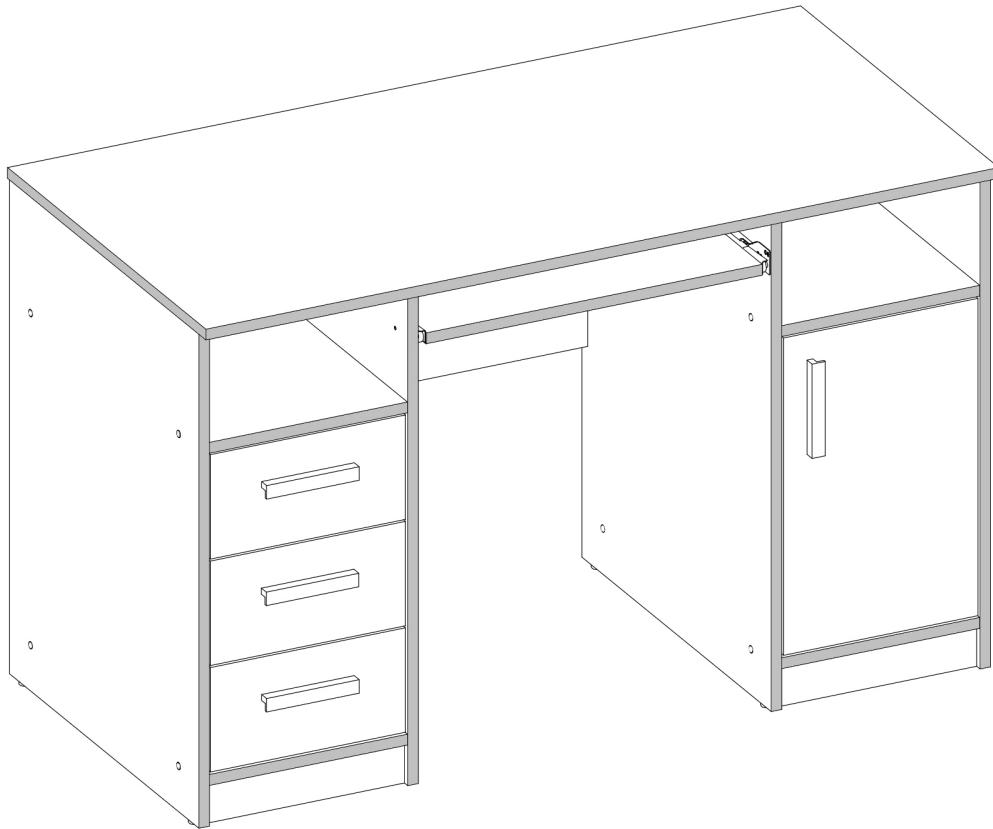


DELTA

PRODUCTION DATE

PACKING CODE

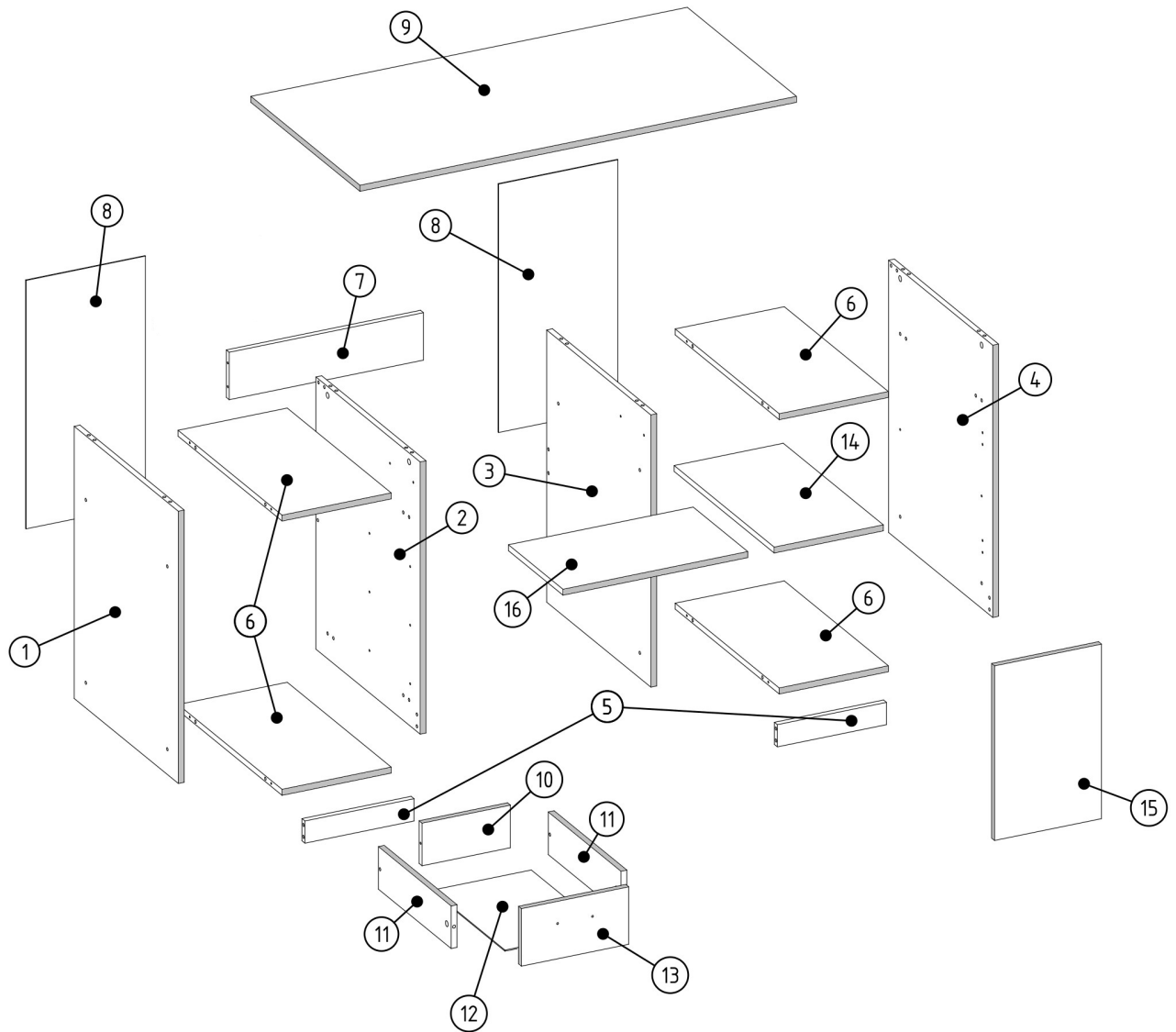


B2 B ø12/4mm x16	B2 S/A ø12/4mm x16	B2 Ant. ø12/4mm x16	B1 B ø17/4mm x14	B1 S/A ø17/4mm x8	B1 Ant. ø17/4mm x8	B1 K ø17/4mm x8			
P4 L=400mm x3	P2 L=300mm x1	A2 Z/W x2	U3 L=150/96mm x4	V16 5x16mm x5	Z1 x60	R1 6x8mm x16	B2 K ø12/4mm x16		
M1 12x15mm x14	N1 L=35mm x14	S1 3,5x16mm x20	R7 4x27mm x8	F1 7x50mm x26	F3 Hex 4mm x1	E1 8x30mm x32	T1 x8	IM250612	






DELTA

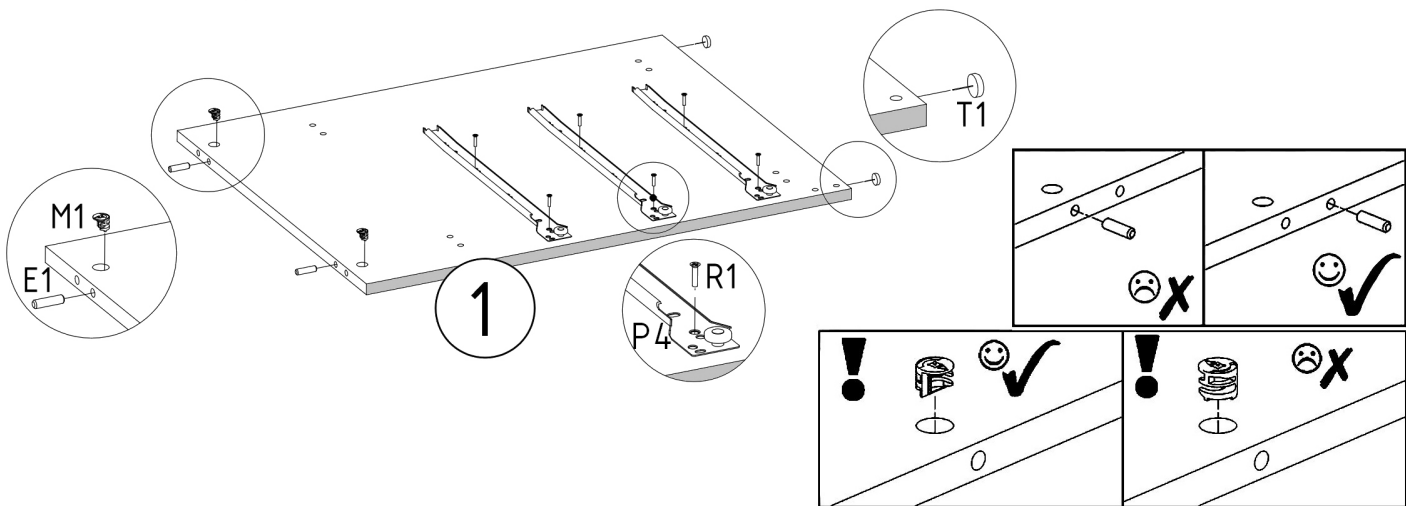
PRODUCTION DATE







PACKING CODE

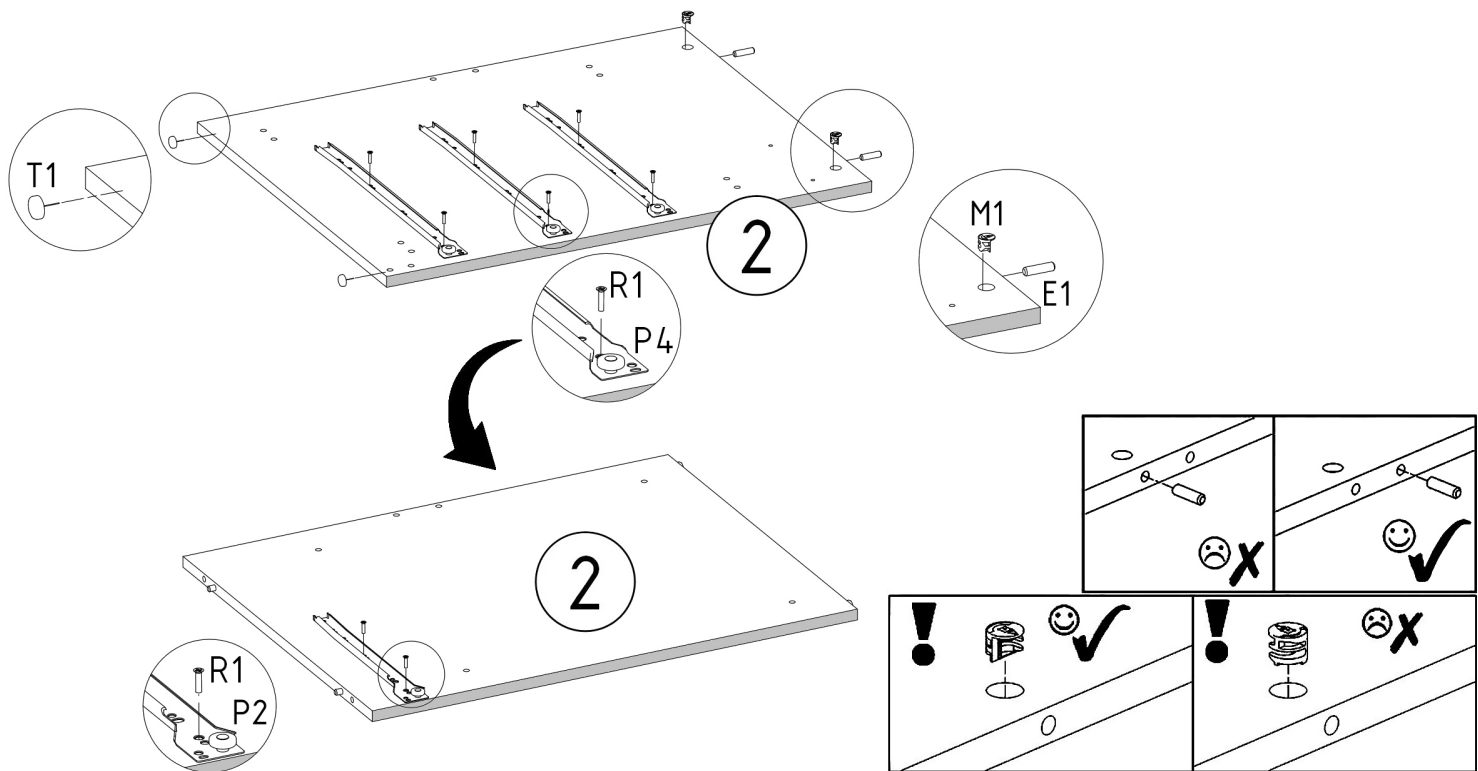


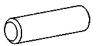
001762	16	1
001766	15	1
001763	14	1
001765	13	3
000021	12	3
000084	11	6
001218	10	3
001769	9	1
001568	8	2
001764	7	1
001759	6	4
001837	5	2
001767	4	1
001760	3	1
001761	2	1
001768	1	1
ID	NUMBER	QUANTITY

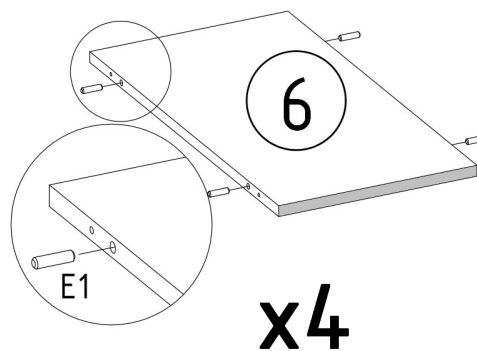
M1  12x15mm x2	T1  x2	E1  8x30mm x2	P4  L=400mm x2	R1  6x8mm x3	x6
---	--	---	--	--	-----------

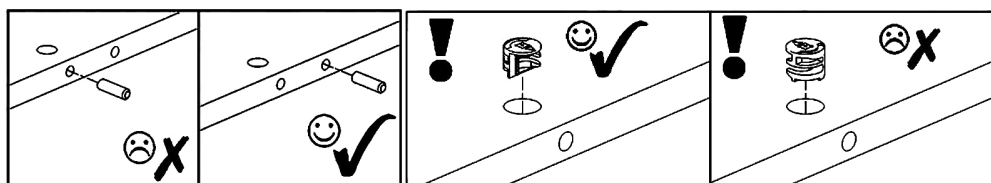
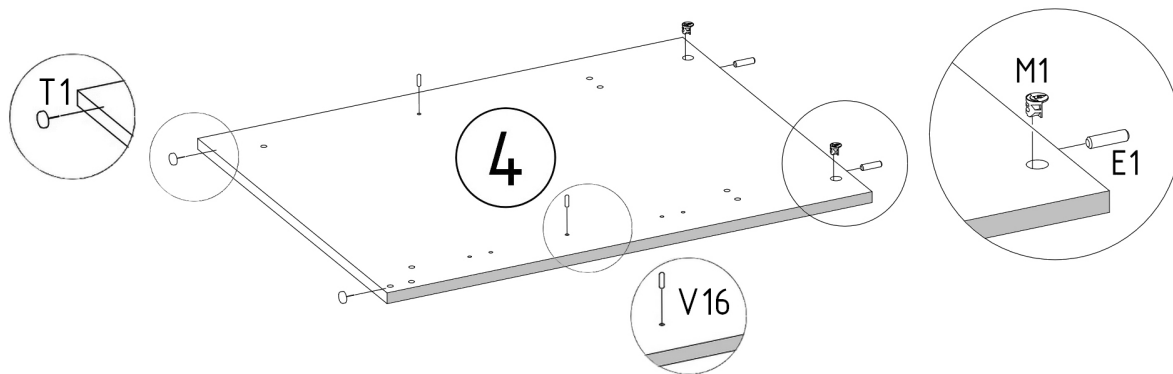
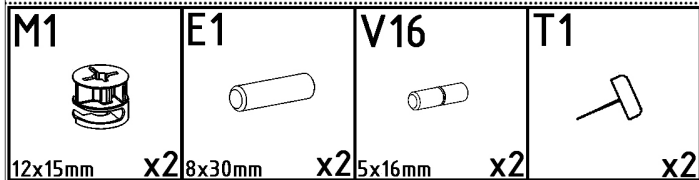
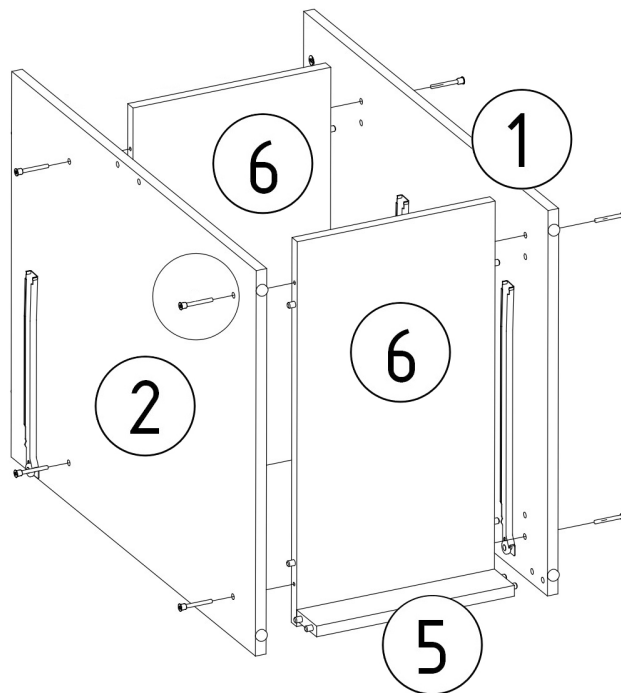
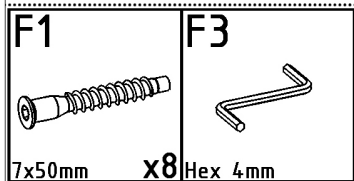
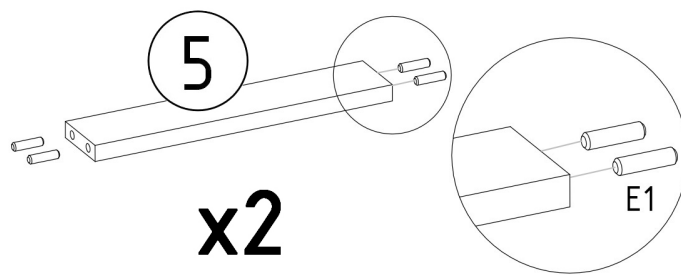
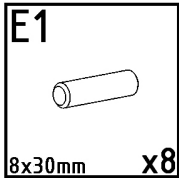



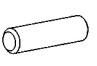

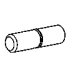


M1  12x15mm x2	T1  x2	E1  8x30mm x2	P4  L=400mm x2	R1  6x8mm x3	P2  L=300mm x1	x1
--	--	---	--	--	---	-----------

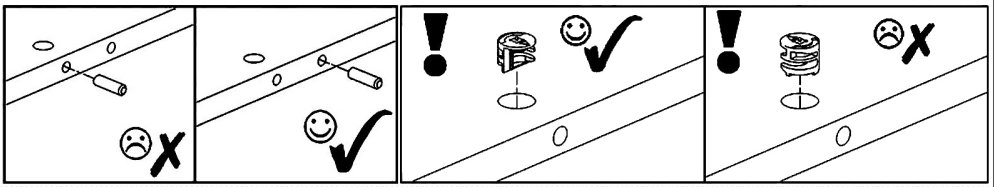
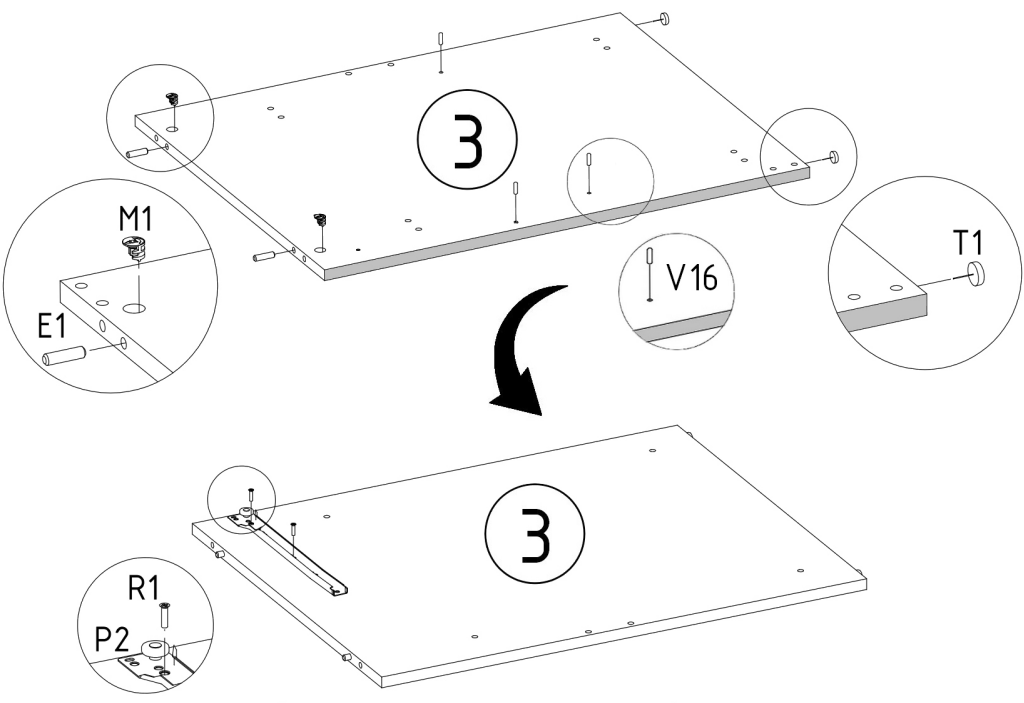


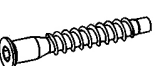
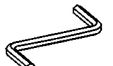
E1  8x30mm x16

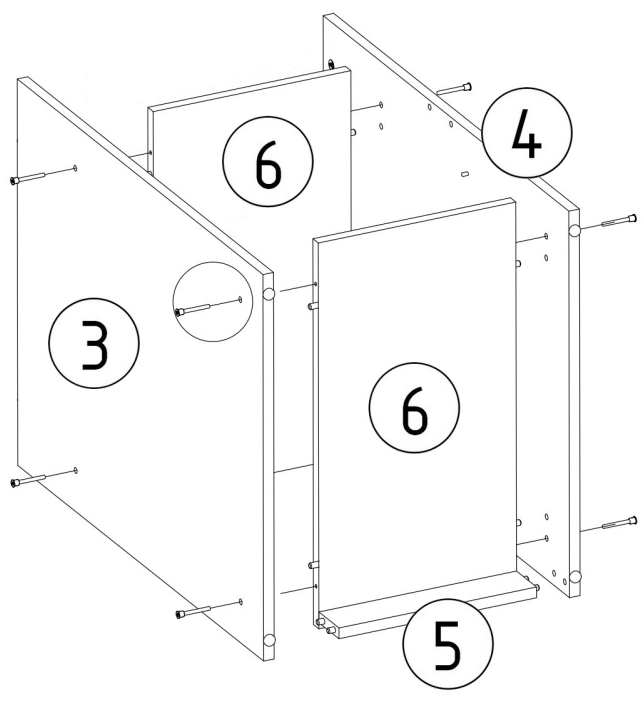


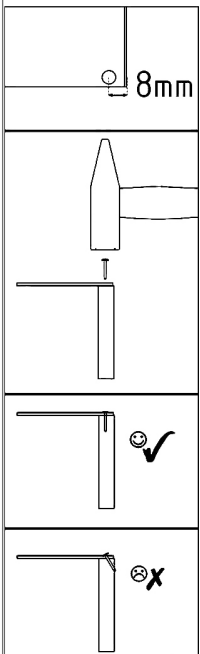
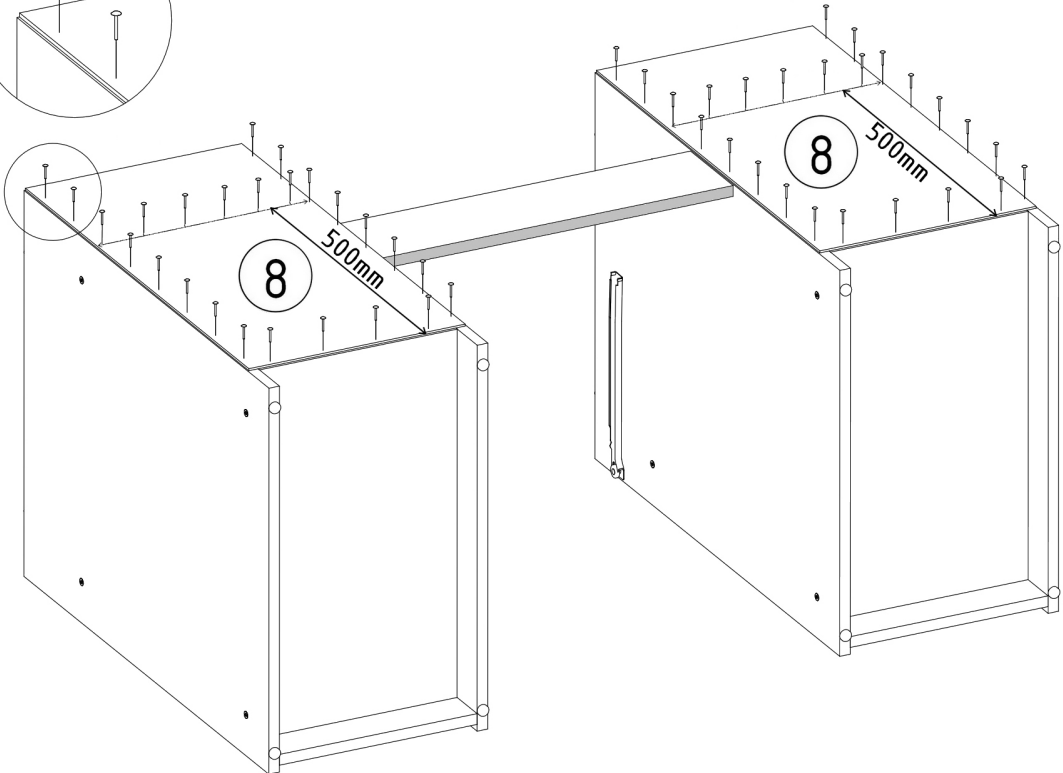
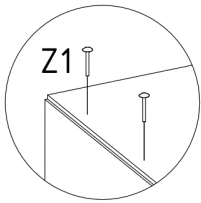
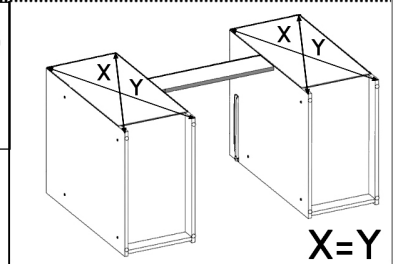
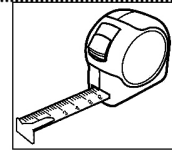
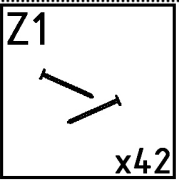
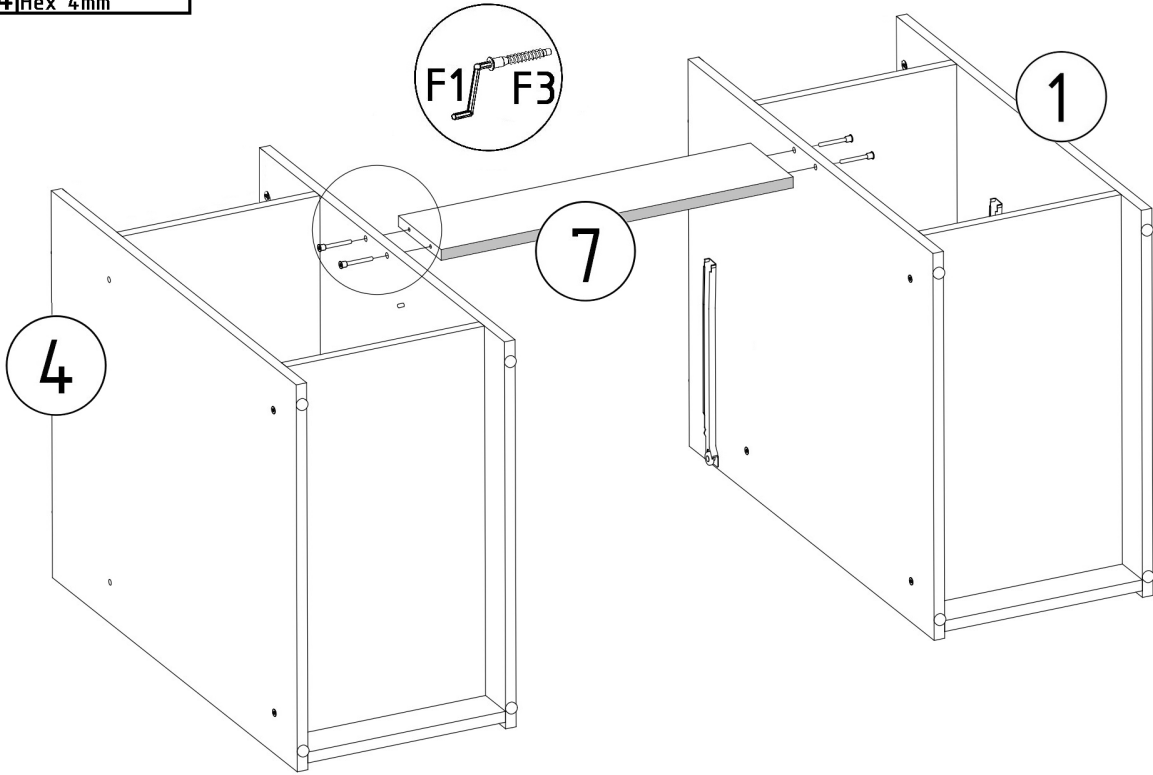
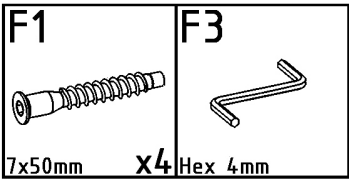


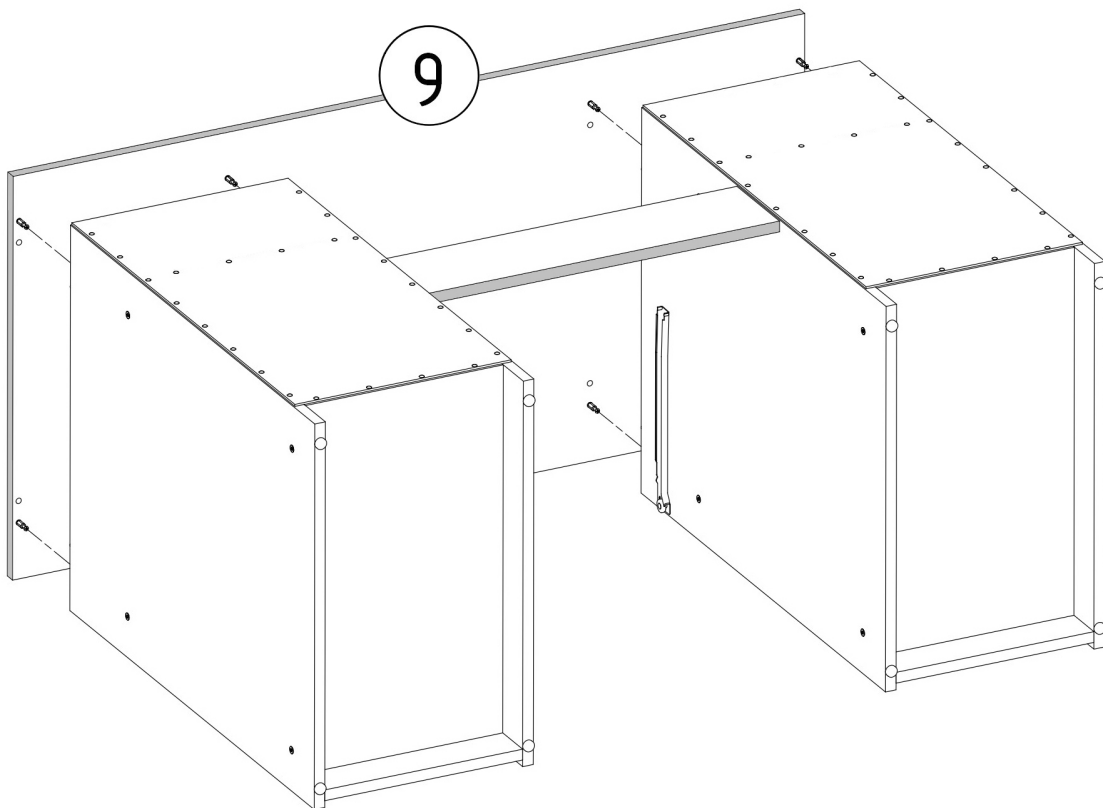
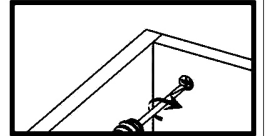
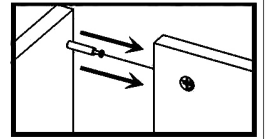
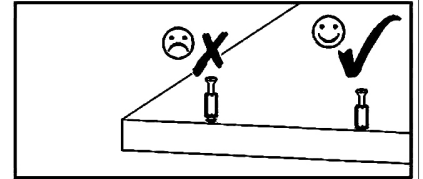
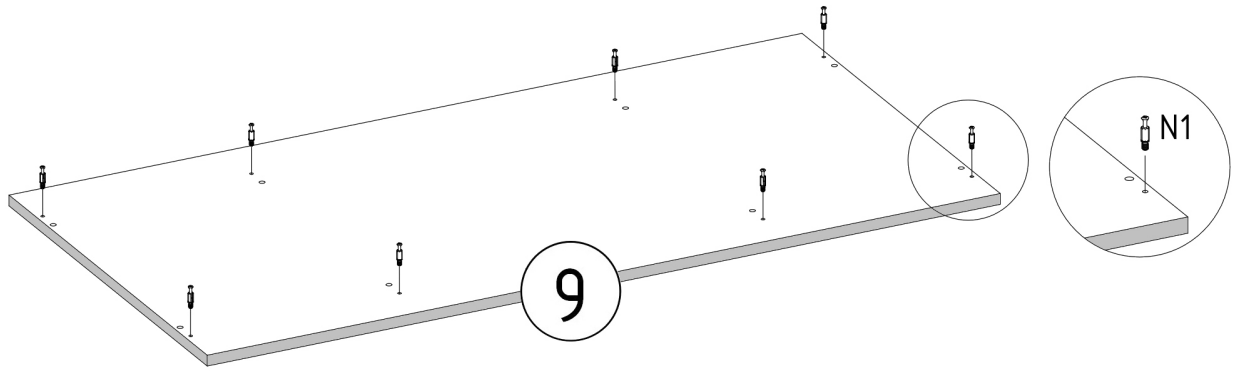
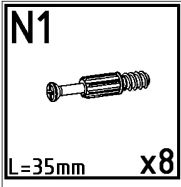
M1  12x15mm x2	E1  8x30mm x2	T1  x2	V16  5x16mm x3	P2  L=300mm x1	R1  6x8mm x2
---	--	---	---	---	--

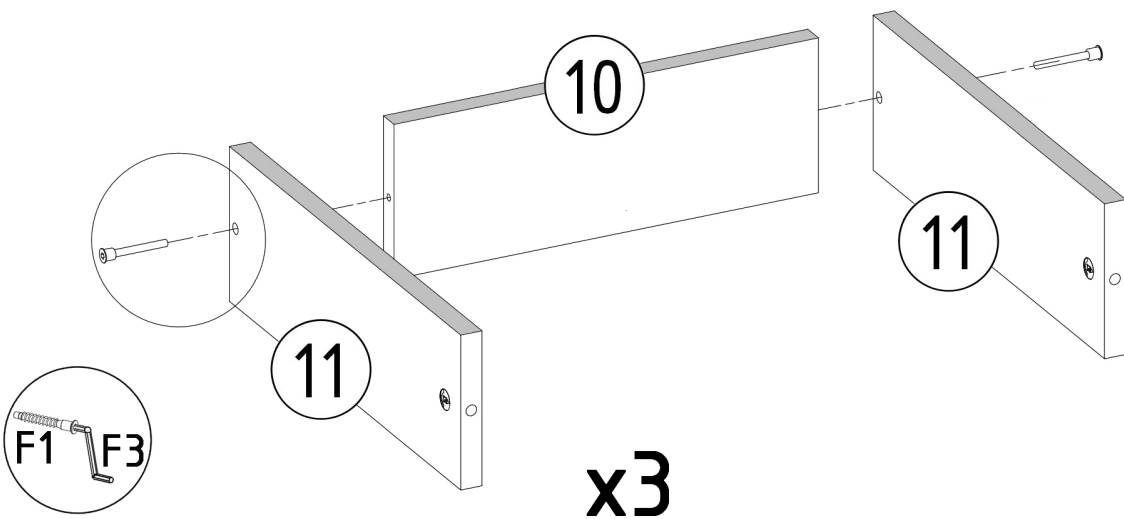
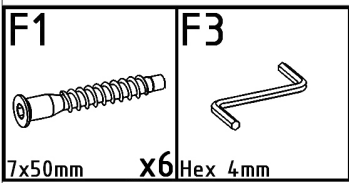
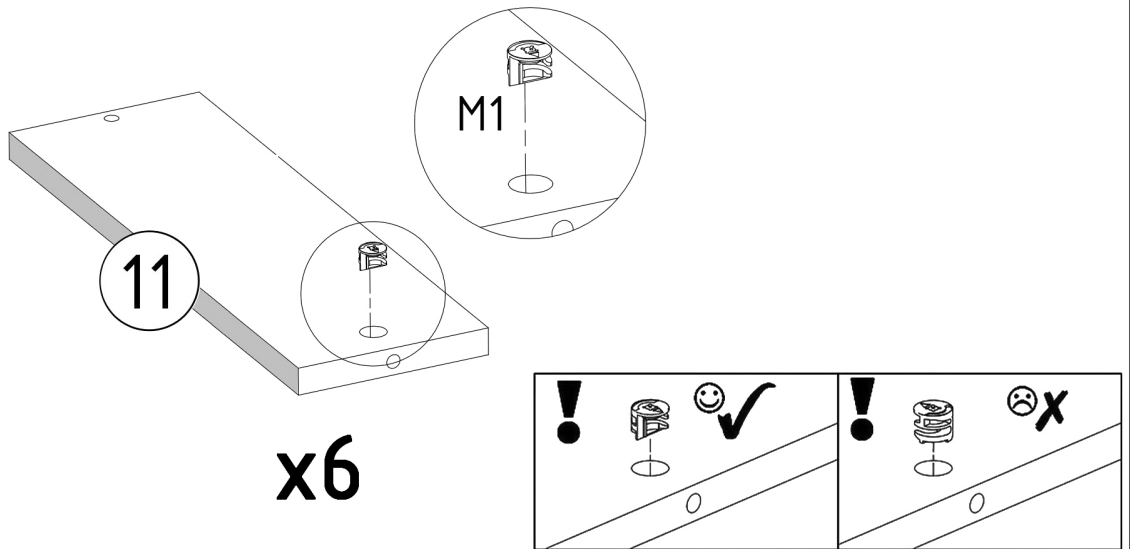
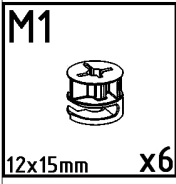
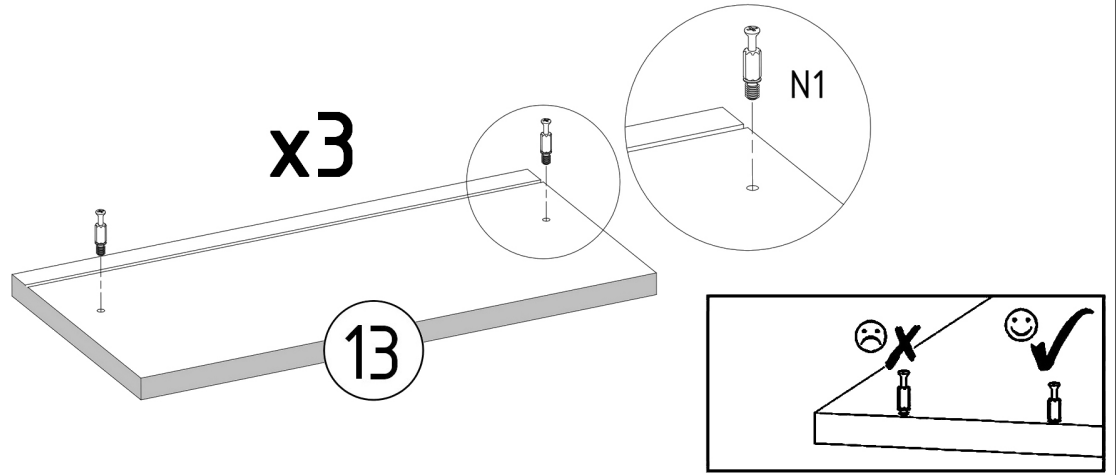
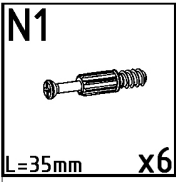


F1  7x50mm x8	F3  Hex 4mm
--	---






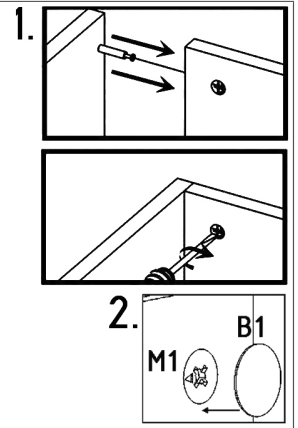
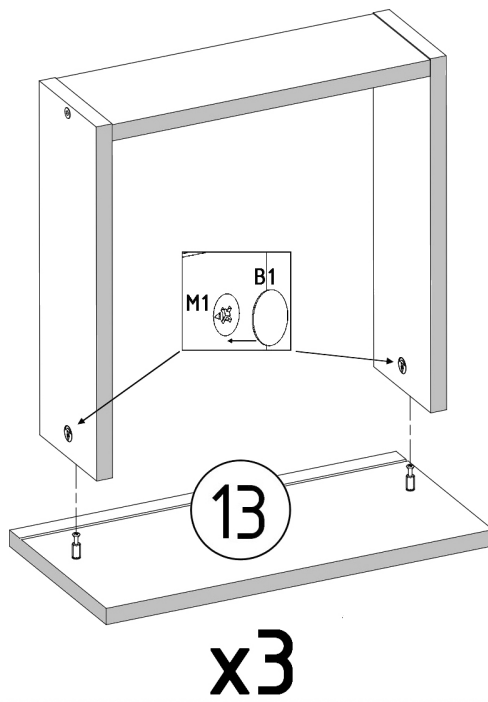




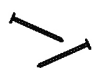
B1



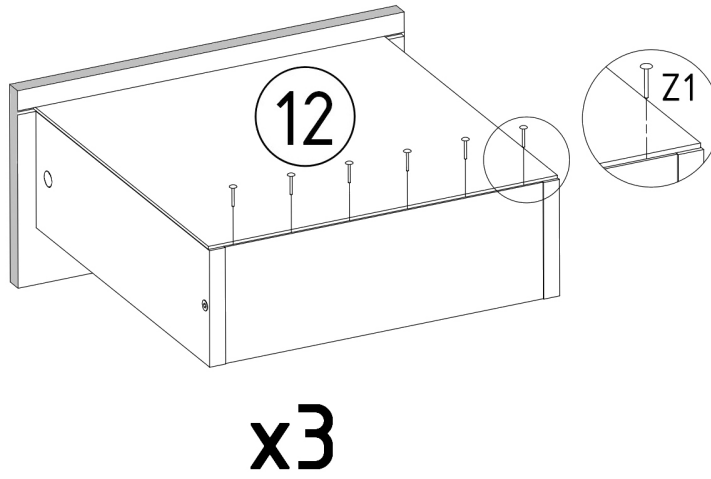
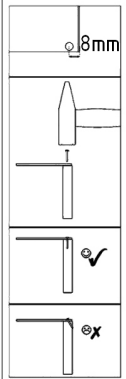
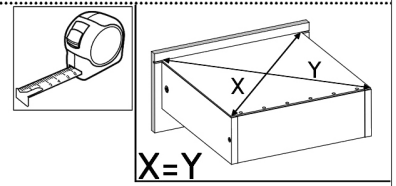
∅17/4mm x6




Z1



x18

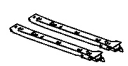


S1

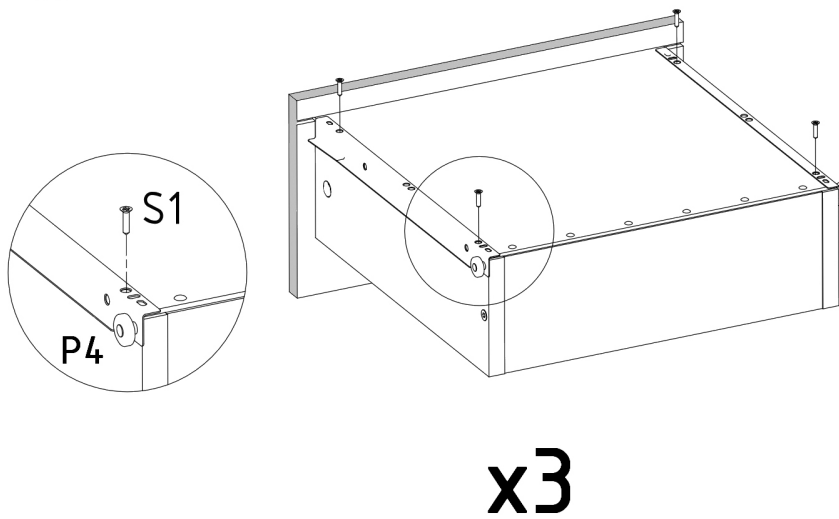




3,5x16mm x12

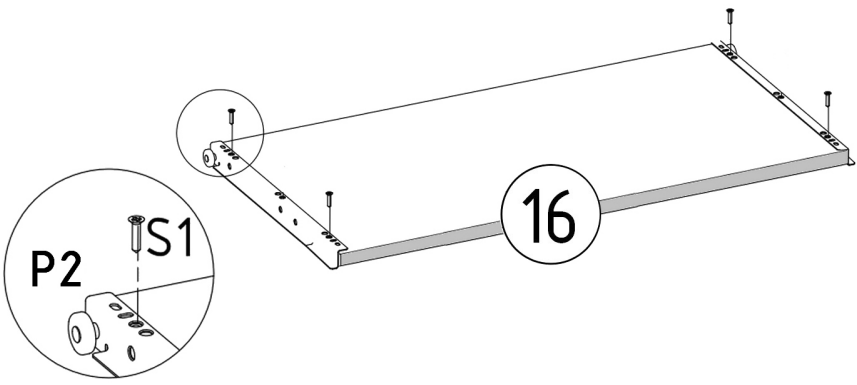
P4





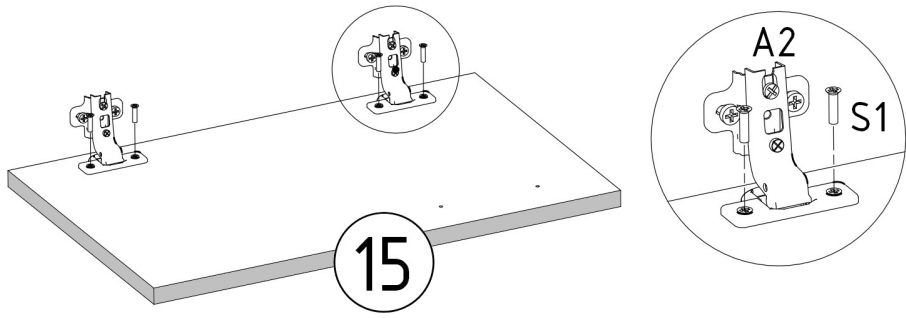
L=400mm x3







P2 	S1 
L=300mm x1	3,5x16mm x4



A2 	S1 
ZW x2	3,5x16mm x4



U3 	R7 	B2 	B1 
L=150/96mm x4	4x27mm x8	ø12/4mm x16	ø17/4mm x8

