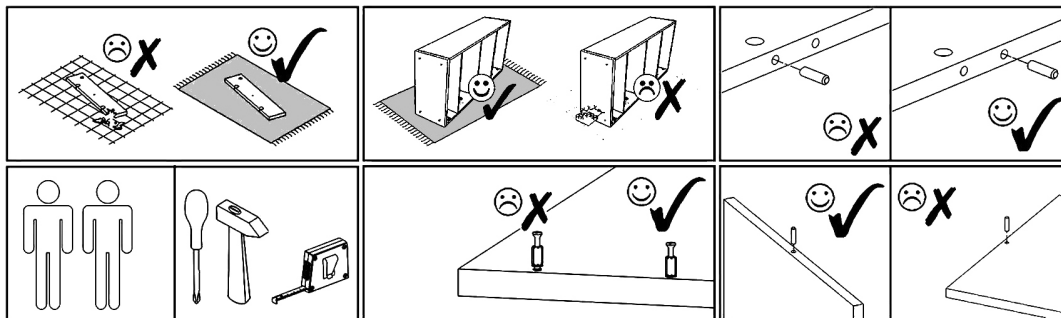
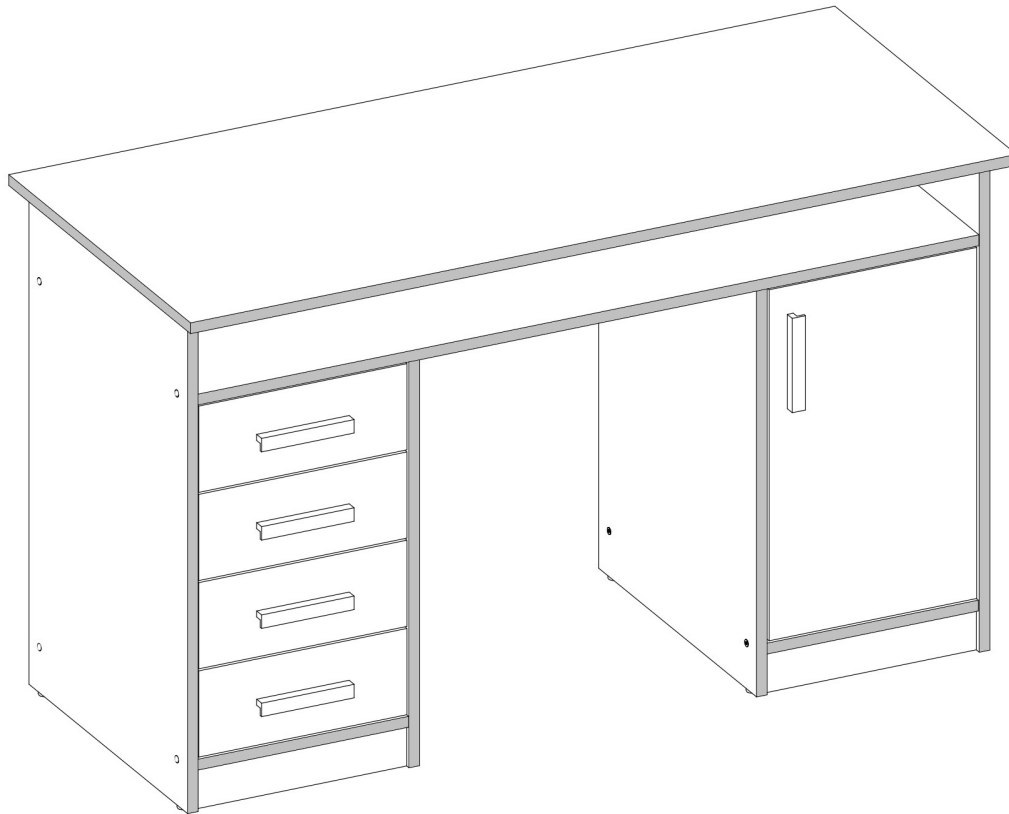
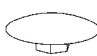








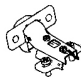


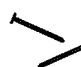




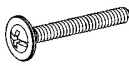
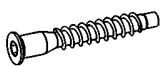
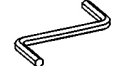




ADA

PRODUCTION DATE

PACKING CODE

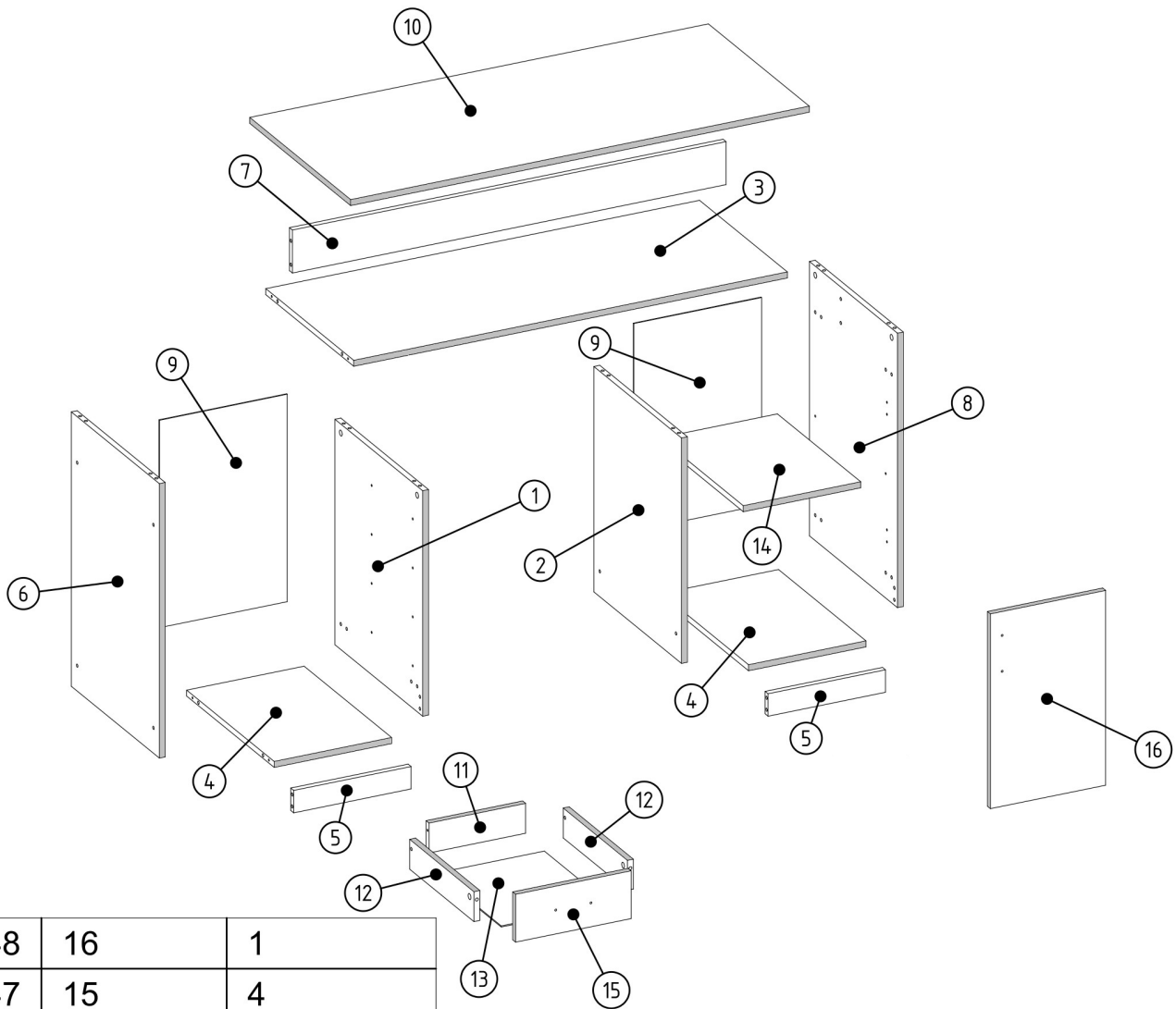


| | | | | | | | |
|--|---|--|---|--|--|---|---|
| <p>B2</p>  <p>B ø12/4mm x12</p> | <p>B2</p>  <p>S/A ø12/4mm x12</p> | <p>B2</p>  <p>Ant. ø12/4mm x12</p> | <p>B1</p>  <p>B ø17/4mm x10</p> | <p>B1</p>  <p>S/A ø17/4mm x2</p> | <p>B1</p>  <p>Ant. ø17/4mm x2</p> | <p>B1</p>  <p>K ø17/4mm x2</p> | |
| <p>P3</p>  <p>L=350mm x4</p> | <p>R1</p>  <p>6x8mm x16</p> | <p>A2</p>  <p>Zw x2</p> | <p>U3</p>  <p>L=150/96mm x5</p> | <p>V16</p>  <p>5x16mm x5</p> | <p>Z1</p>  <p>x70</p> | <p>B2</p>  <p>K ø12/4mm x12</p> | |
| <p>M1</p>  <p>12x15mm x16</p> | <p>N1</p>  <p>L=35mm x16</p> | <p>S1</p>  <p>3,5x16mm x20</p> | <p>R7</p>  <p>4x27mm x10</p> | <p>F1</p>  <p>7x50mm x20</p> | <p>F3</p>  <p>Hex 4mm x1</p> | <p>E1</p>  <p>8x30mm x32</p> | <p>T1</p>  <p>x8 IM250820</p> |






ADA

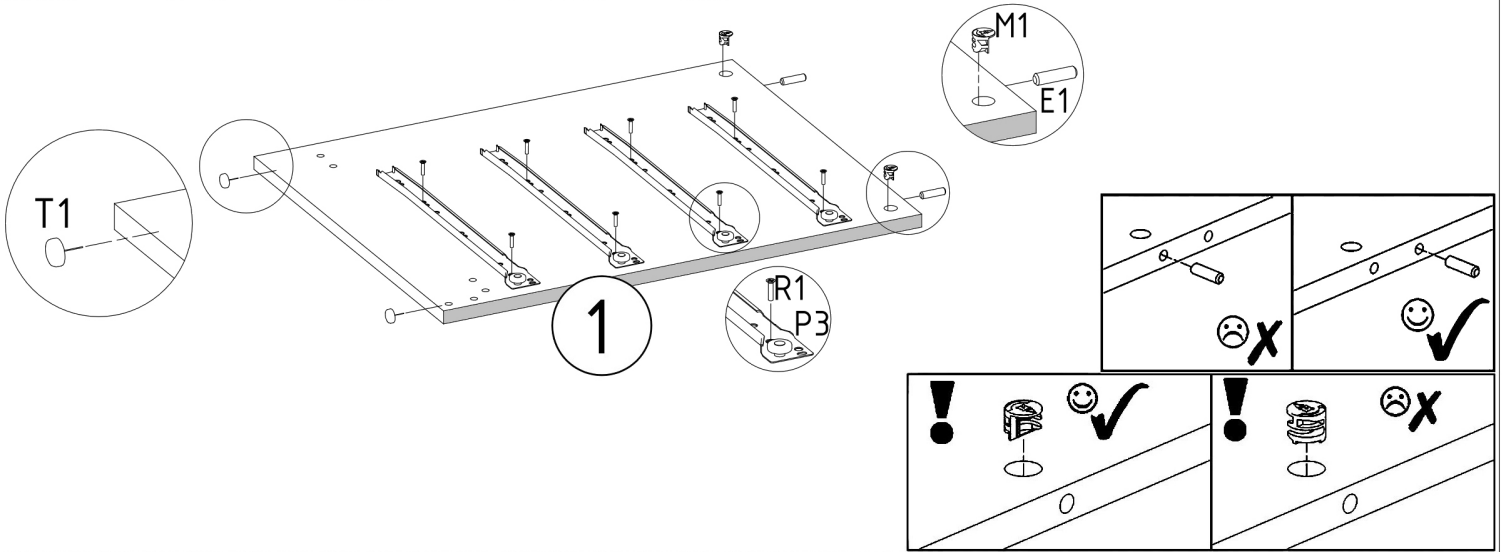
PRODUCTION DATE





PACKING CODE

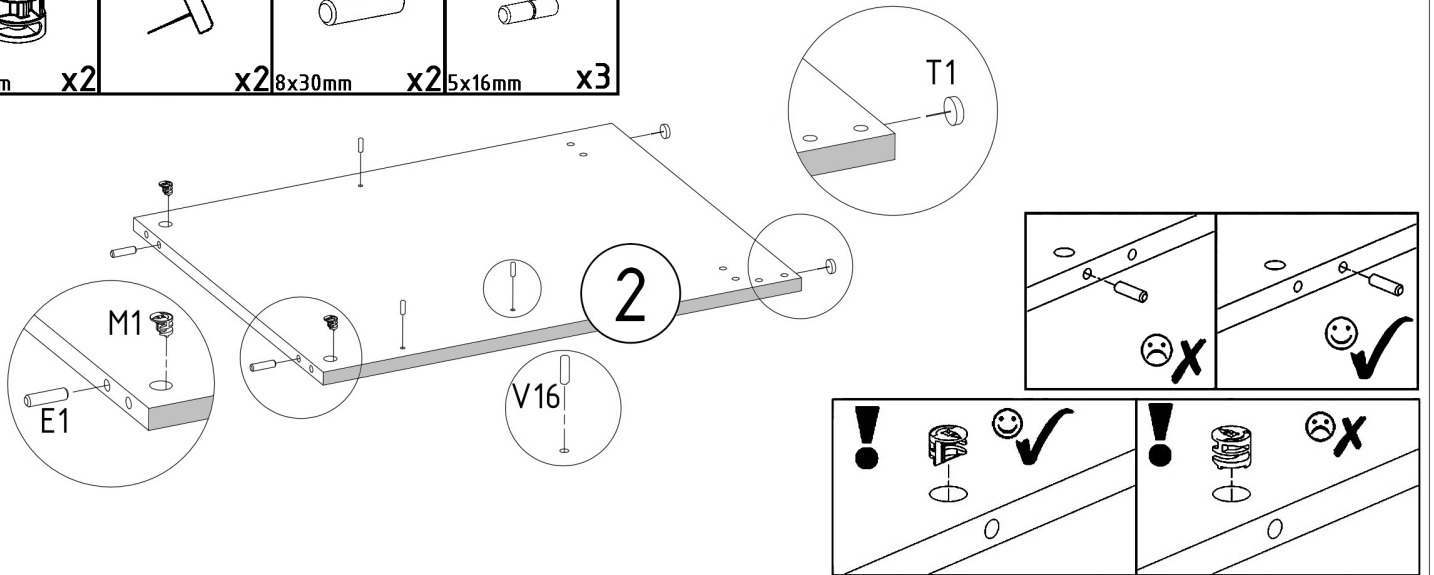



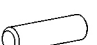
| | | |
|--------|--------|----------|
| 001848 | 16 | 1 |
| 001847 | 15 | 4 |
| 001844 | 14 | 1 |
| 001839 | 13 | 4 |
| 000056 | 12 | 8 |
| 001838 | 11 | 4 |
| 001852 | 10 | 1 |
| 001846 | 9 | 2 |
| 001850 | 8 | 1 |
| 001845 | 7 | 1 |
| 001851 | 6 | 1 |
| 001849 | 5 | 2 |
| 001840 | 4 | 2 |
| 001841 | 3 | 1 |
| 001842 | 2 | 1 |
| 001843 | 1 | 1 |
| ID | NUMBER | QUANTITY |

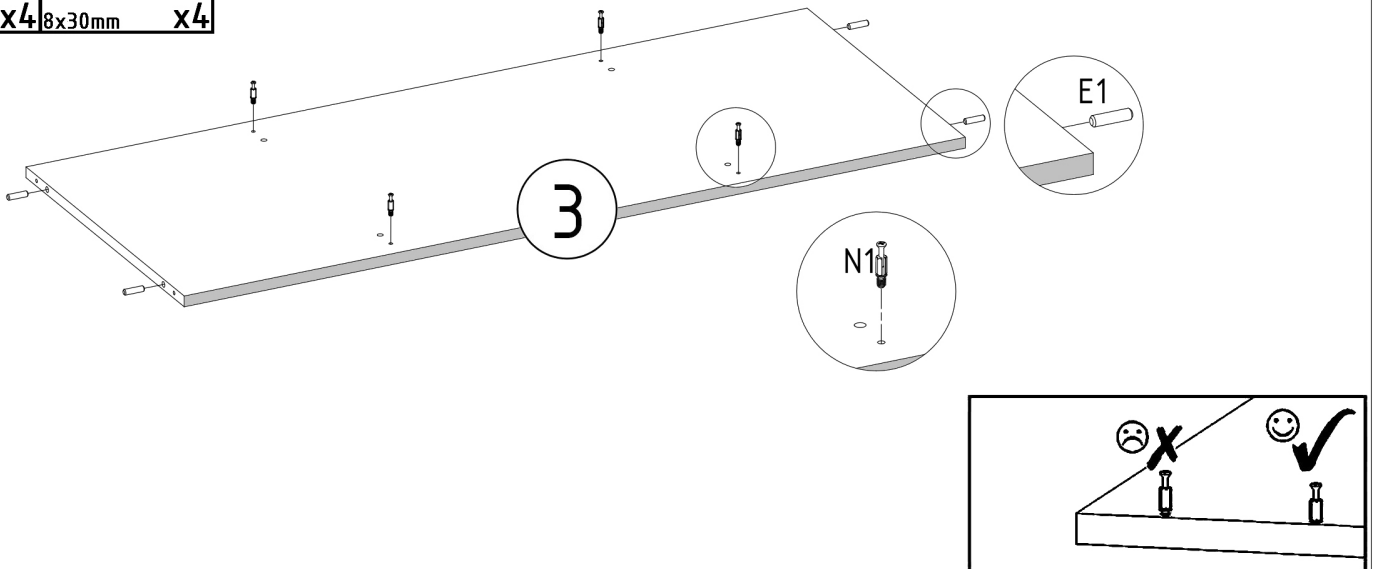
| | | | | |
|--|--|---|--|--|
| M1  12x15mm x2 | T1  x2 | E1  8x30mm x2 | P3  L=350mm x4 | R1  6x8mm x8 |
|--|--|---|--|--|



| | | | |
|--|--|---|--|
| M1  12x15mm x2 | T1  x2 | E1  8x30mm x2 | V16  5x16mm x3 |
|--|--|---|--|



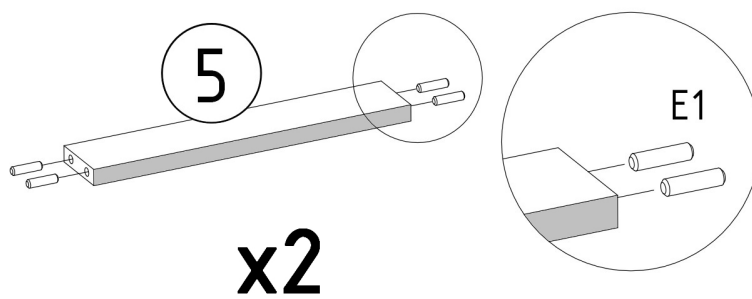
| | |
|--|---|
| N1  L=35mm x4 | E1  8x30mm x4 |
|--|---|



E1



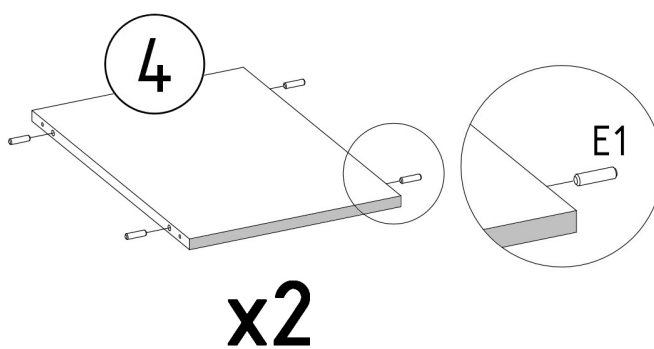
8x30mm x8



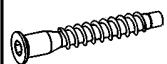
E1



8x30mm x8



F1

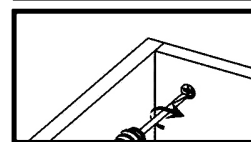
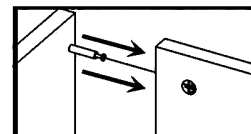
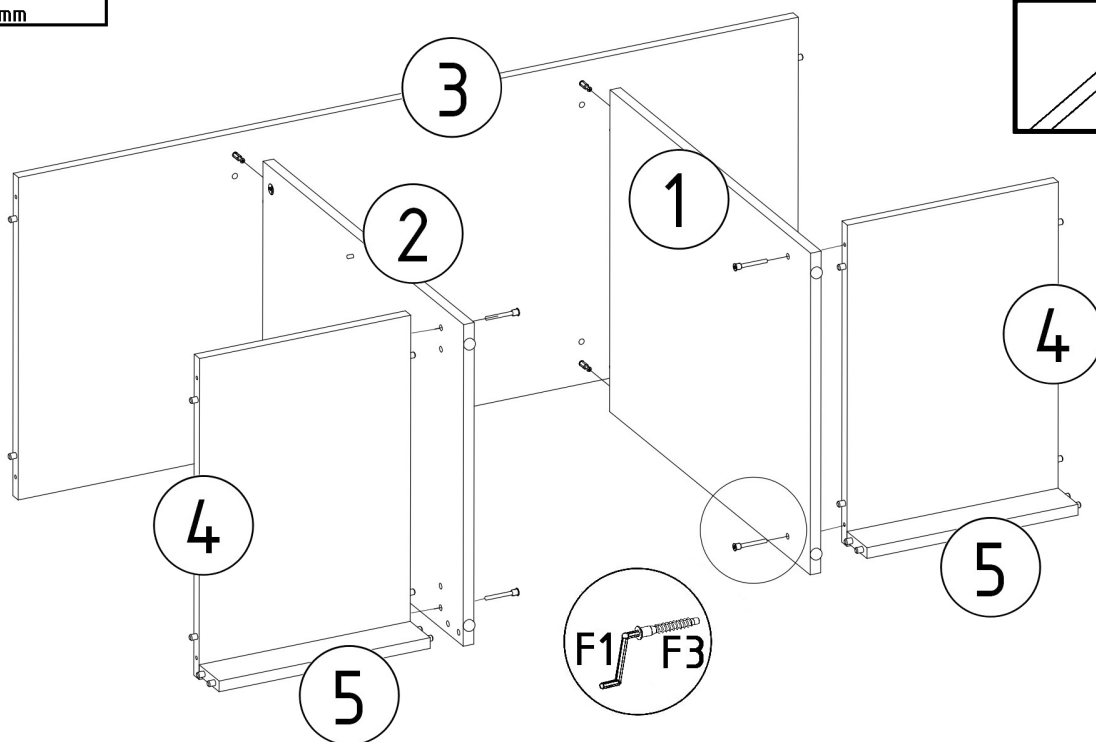




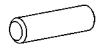


7x50mm x4

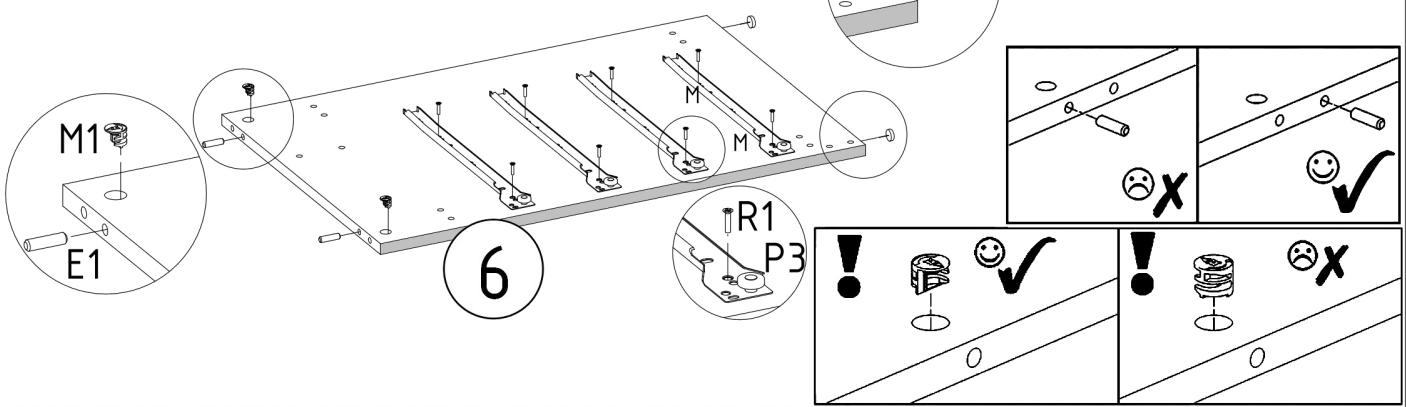
F3







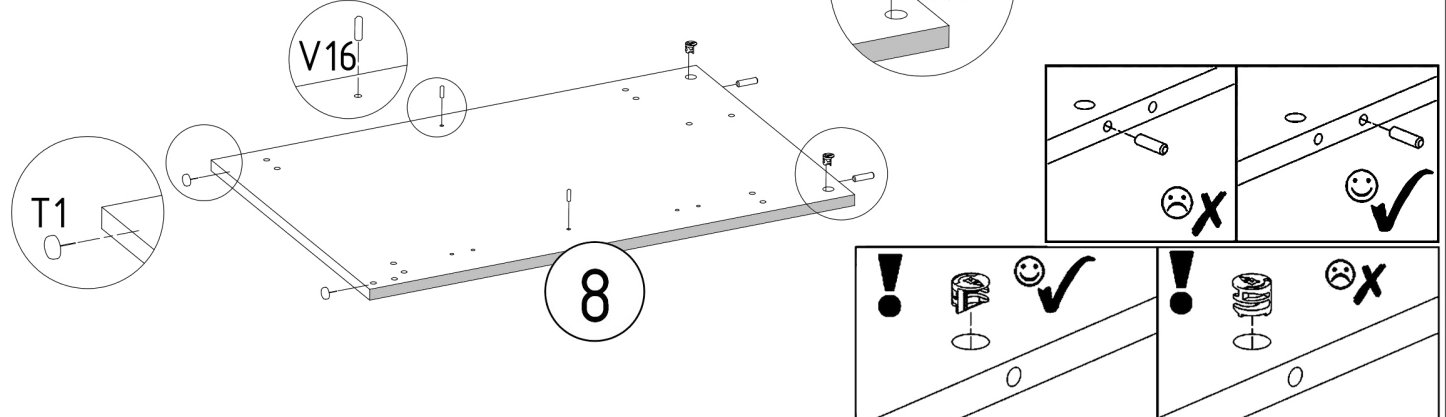
Hex 4mm

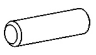


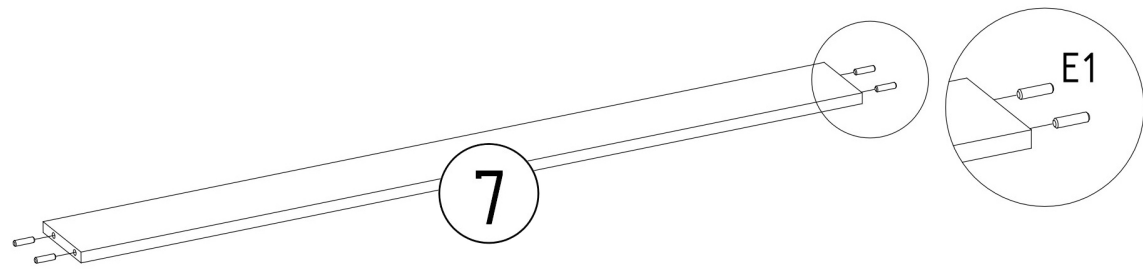
| | | | | |
|---|--|---|--|--|
| M1  12x15mm x2 | T1  x2 | E1  8x30mm x2 | P3  L=350mm x4 | R1  6x8mm x8 |
|---|--|---|--|--|




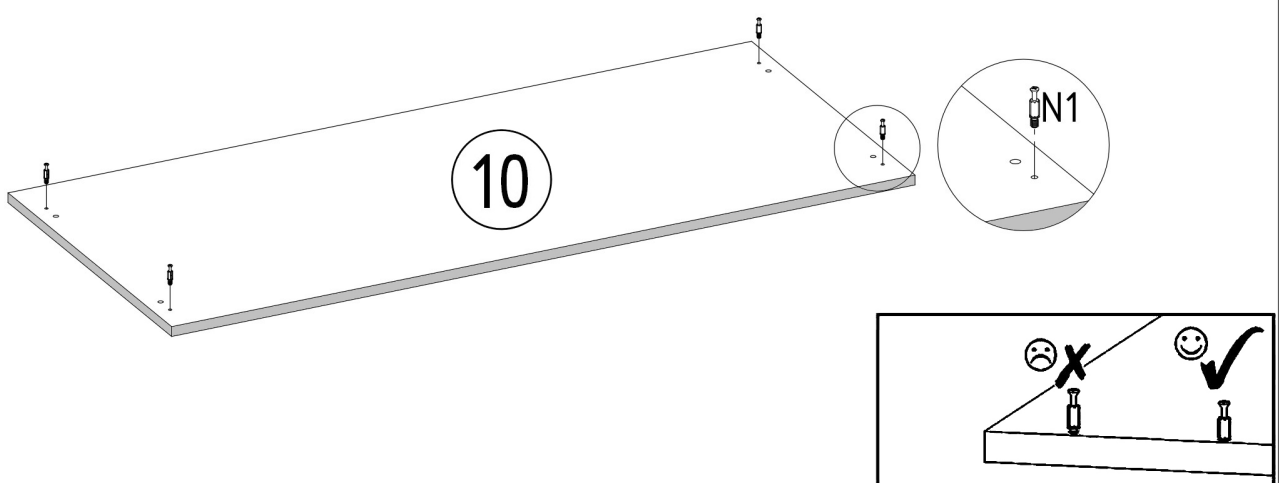
| | | | |
|--|--|---|--|
| M1  12x15mm x2 | T1  x2 | E1  8x30mm x2 | V16  5x16mm x2 |
|--|--|---|--|

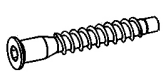
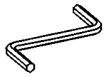


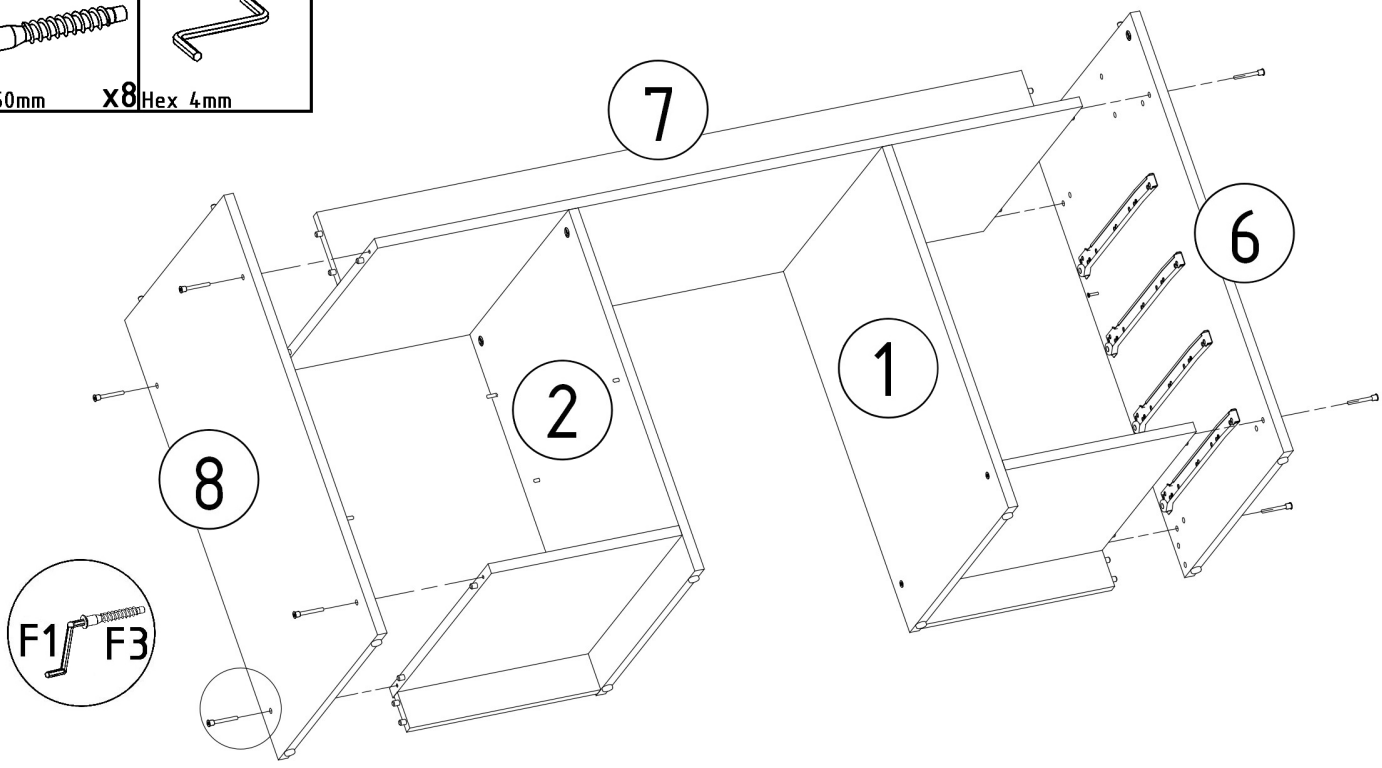
| |
|--|
| E1  8x30mm x4 |
|--|



| |
|--|
| N1  L=35mm x4 |
|--|



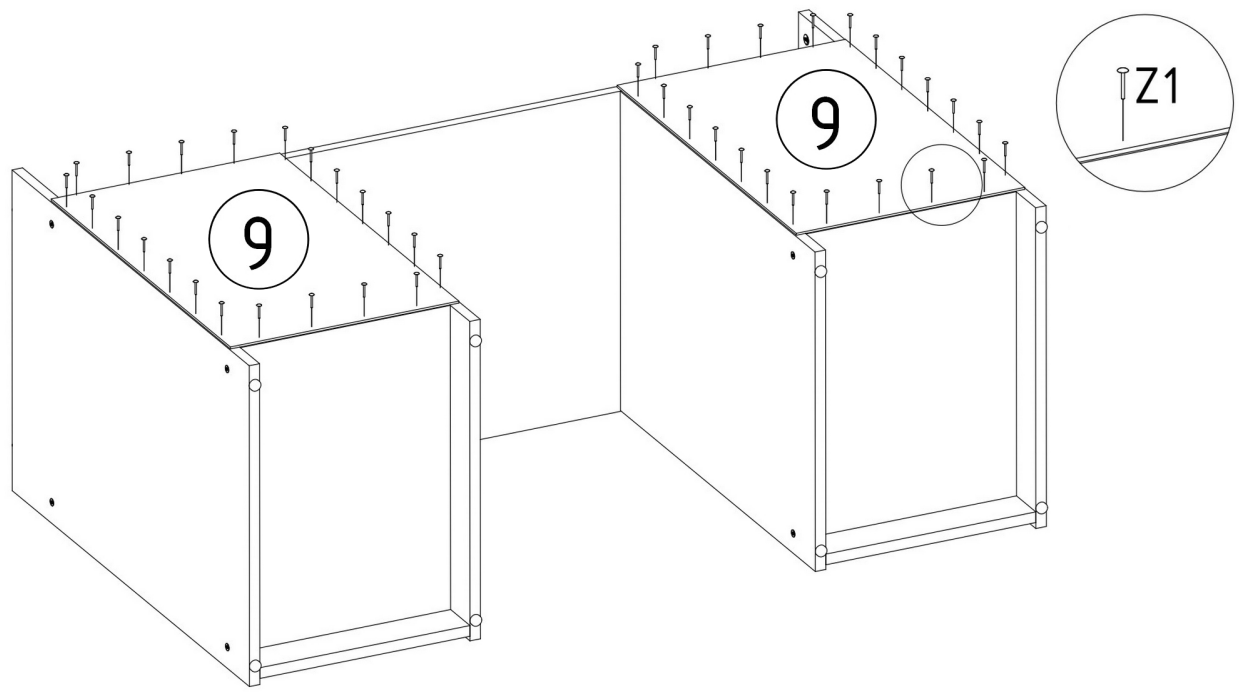
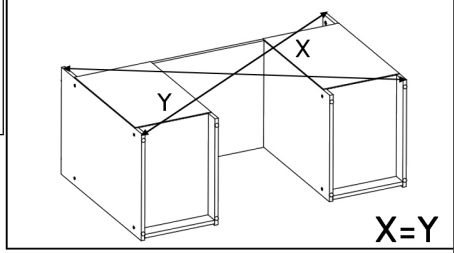
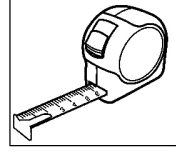
| | |
|--|---|
| F1  7x50mm | F3  X8 Hex 4mm |
|--|---|

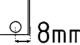





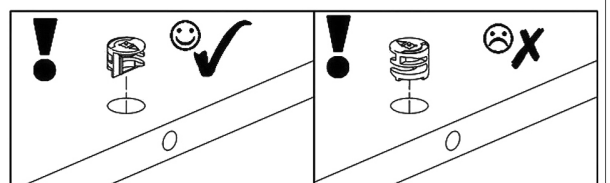
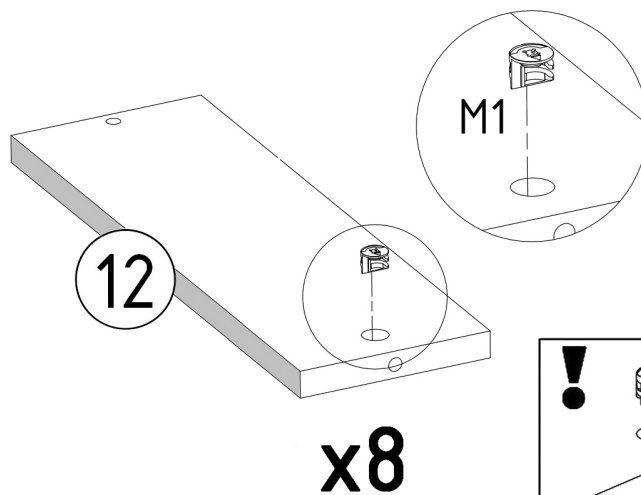
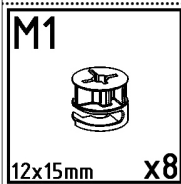
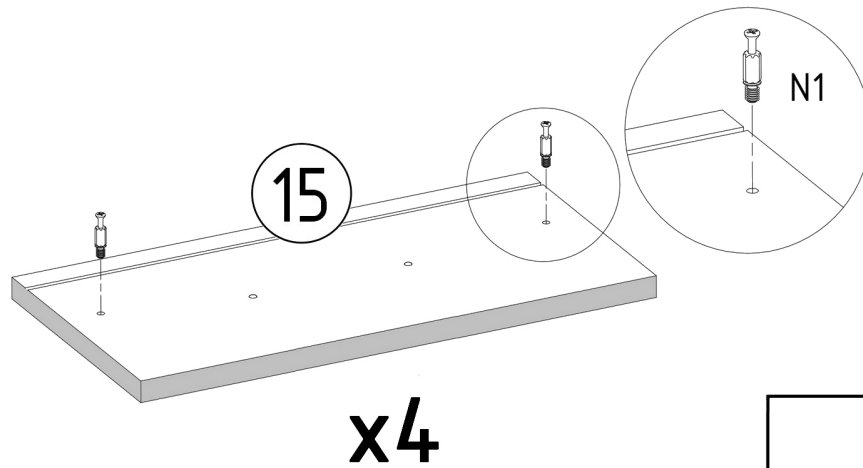
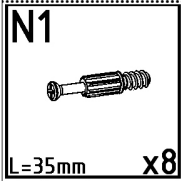
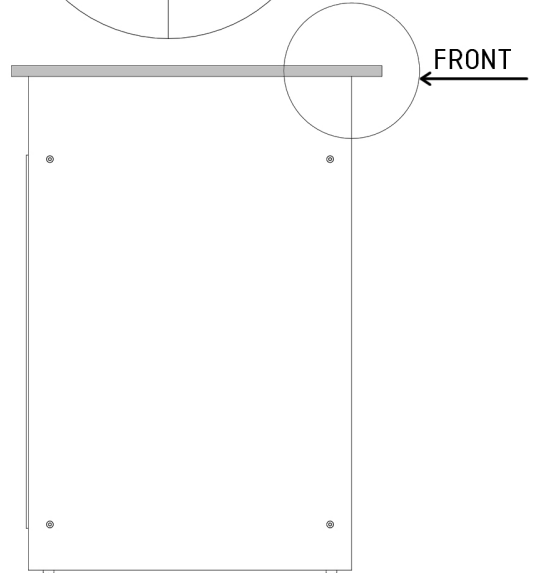
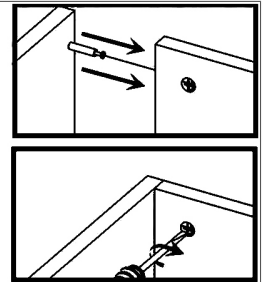
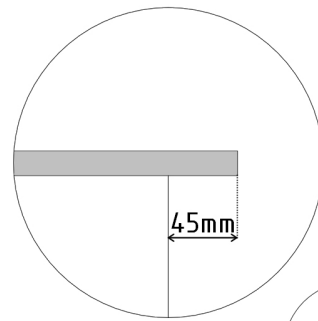
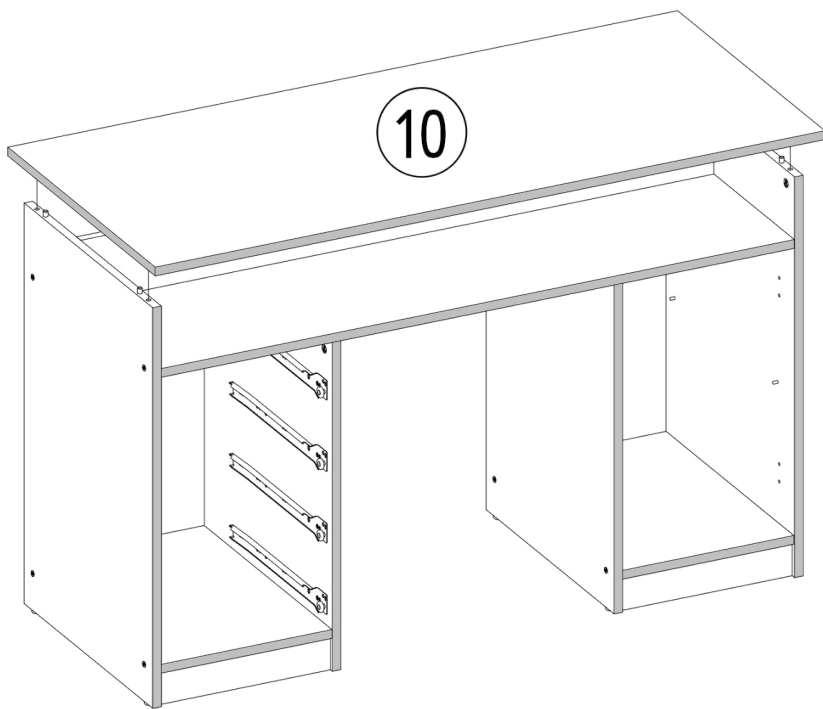
F1 **F3**

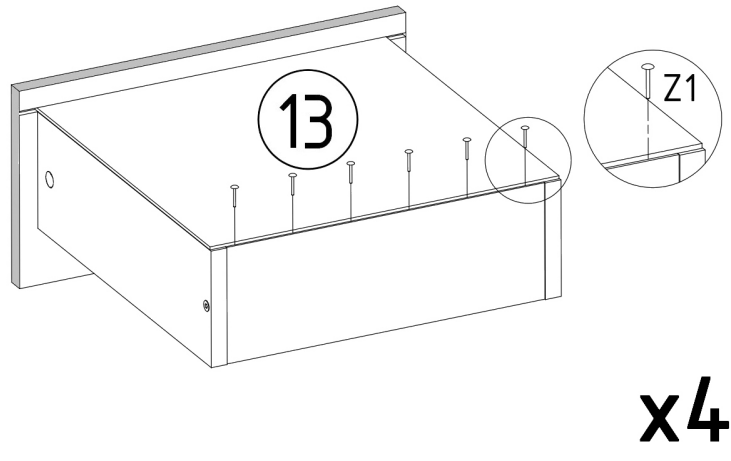
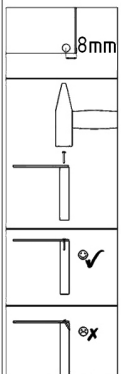
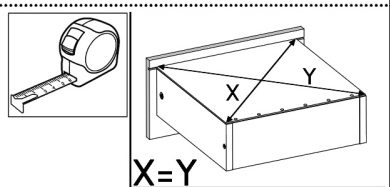
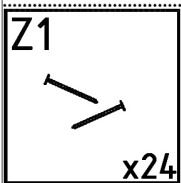
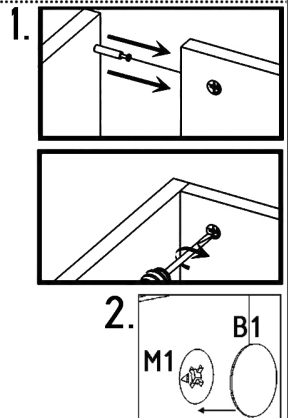
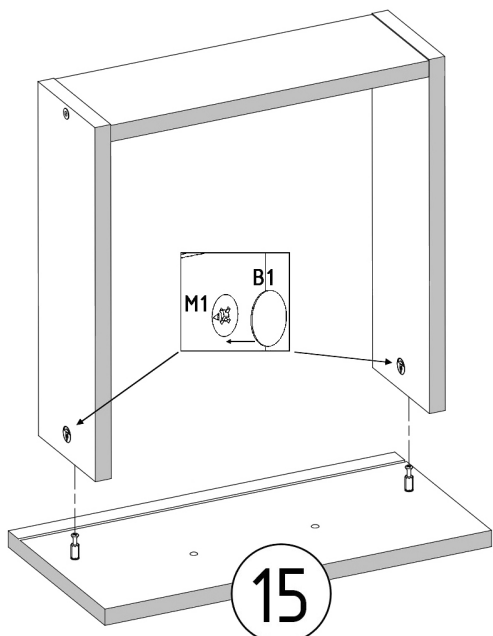
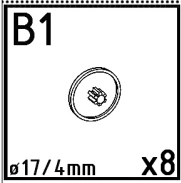
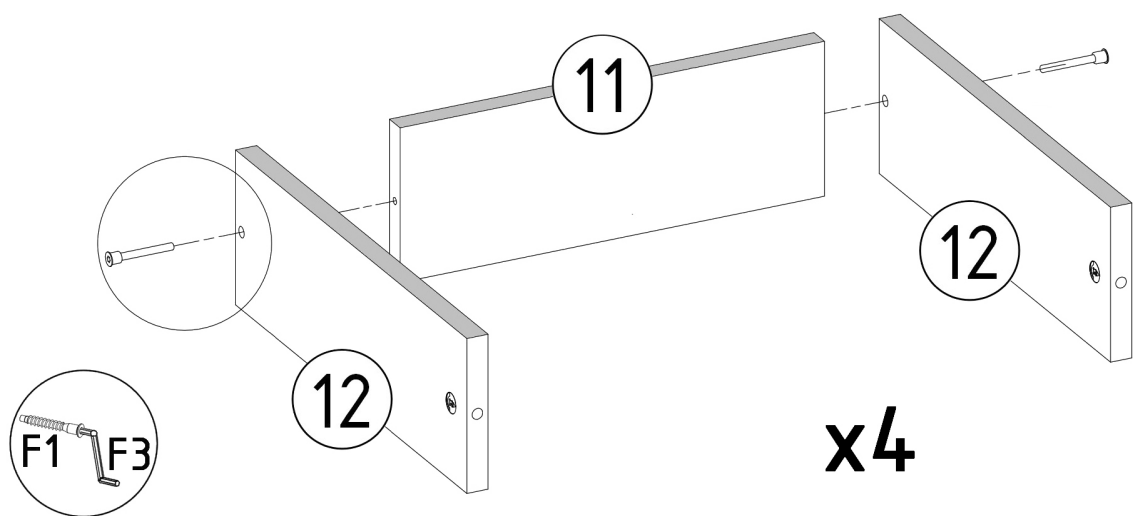
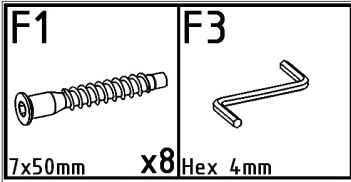
Z1

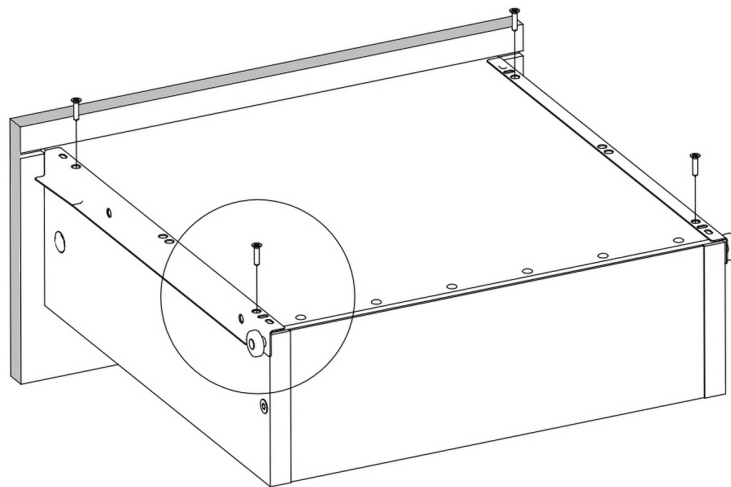
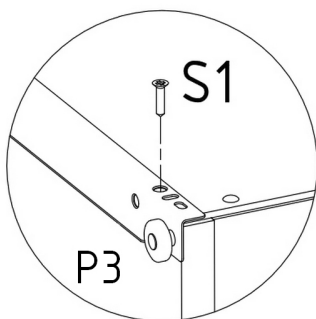
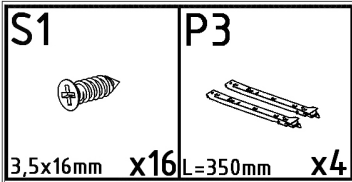
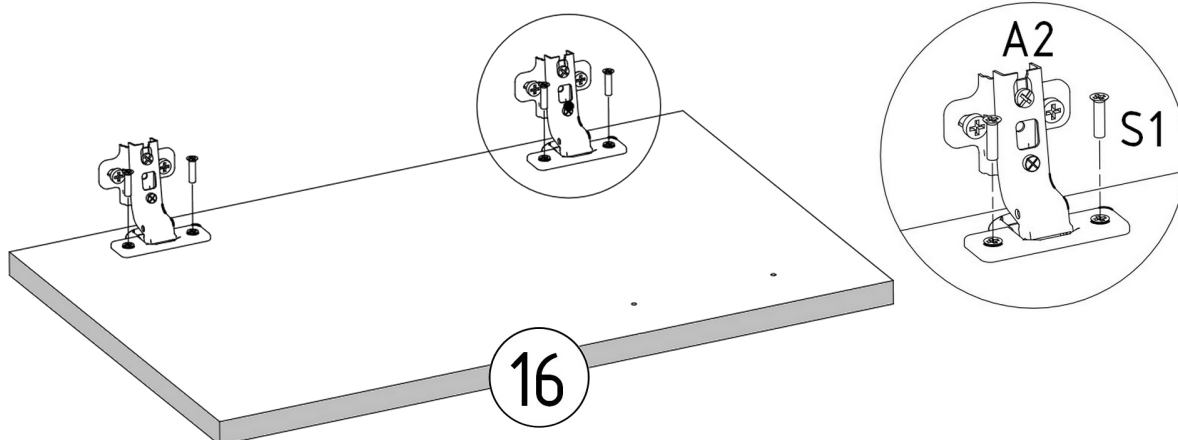
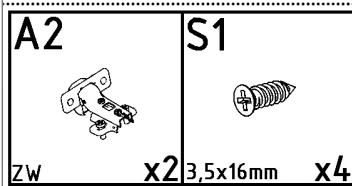
x46







| | |
|---|-----|
|  | 8mm |
|  | |
|  | ✓ |
|  | ⊗ X |





**x4**

| | | | |
|--|--|---|--|
| U3  L=150/96mm x5 | R7  4x27mm x10 | B2  ø12/4mm x12 | B1  ø17/4mm x2 |
|--|--|---|--|

