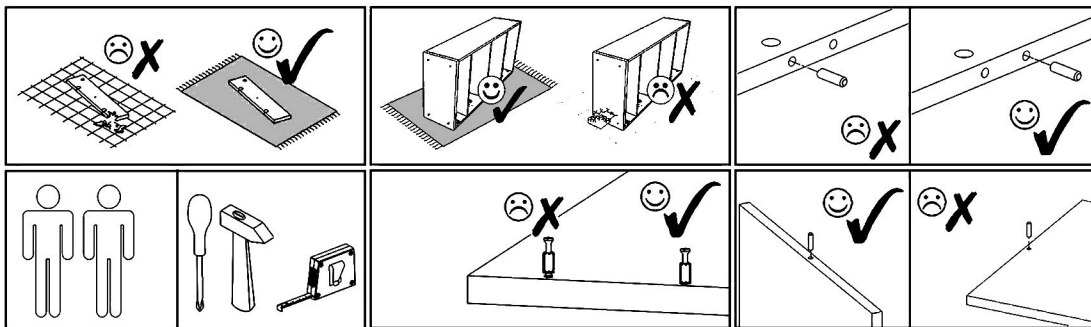
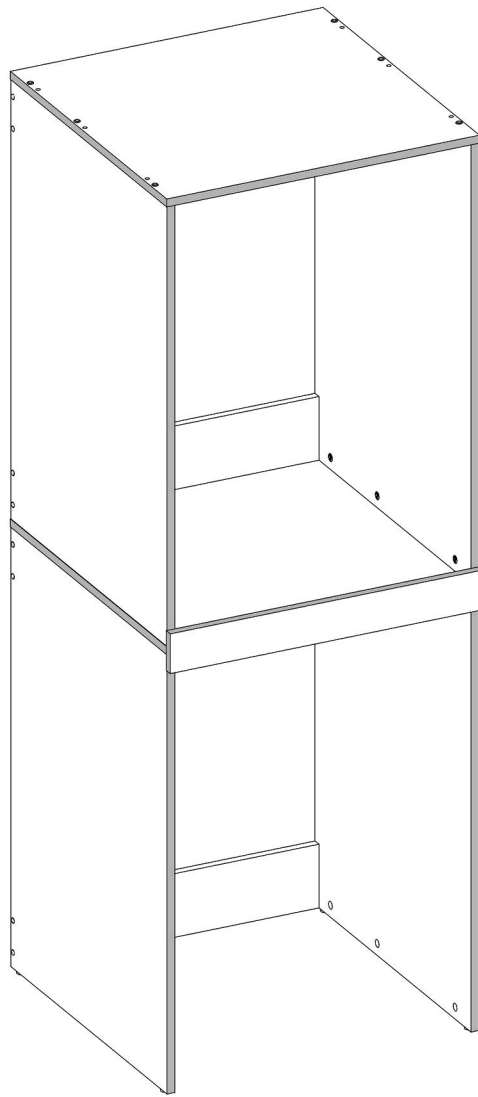


# POLA\_TWIN

PRODUCTION DATE

PACKING CODE

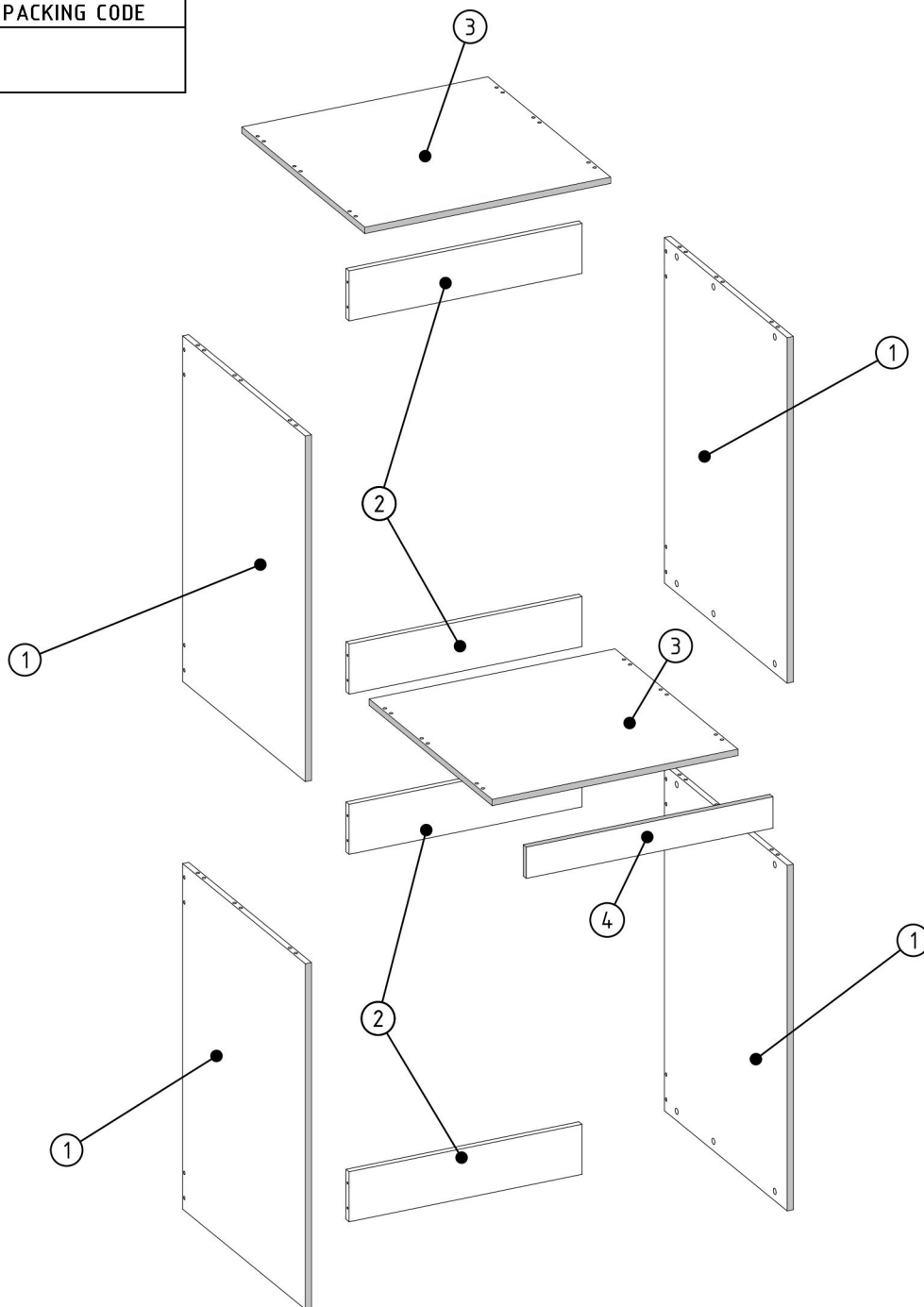


<b>V39</b>  x2	<b>N7</b>  L=41mm x6	<b>V41</b>  x1	<b>B2</b>  S/A $\varnothing 12/4$ mm x16	<b>B2</b>  Ant. $\varnothing 12/4$ mm x16	<b>B2</b>  K $\varnothing 12/4$ mm x16	<b>B2</b>  B $\varnothing 12/4$ mm x16	
<b>M1</b>  12x15mm x18	<b>S1</b>  3,5x16mm x10	<b>E1</b>  8x30mm x6	<b>E3</b>  8x50mm x6	<b>F1</b>  7x50mm x16	<b>F3</b>  Hex 4mm x1	<b>N4</b>  L=62mm x6	<b>T1</b>  x4


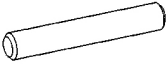

## POLA\_TWIN

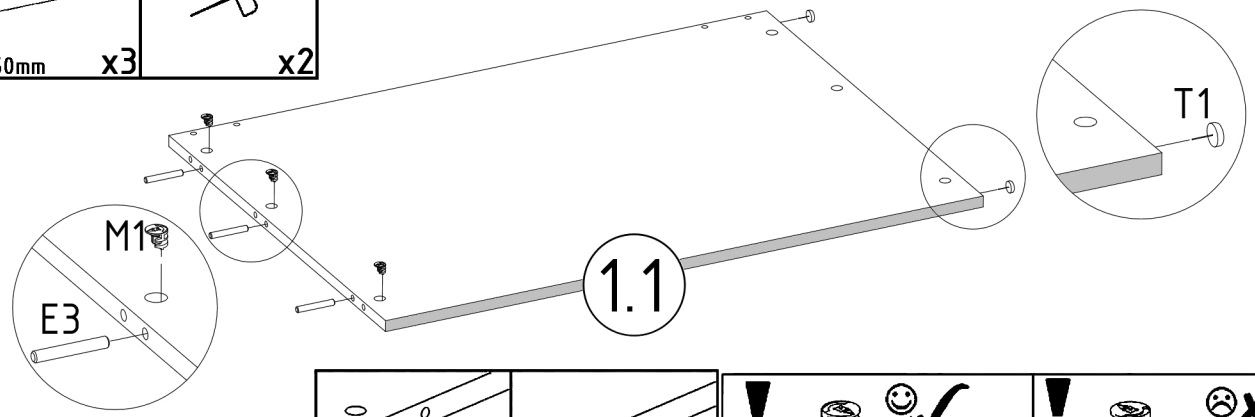
PRODUCTION DATE

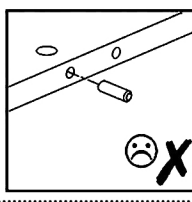
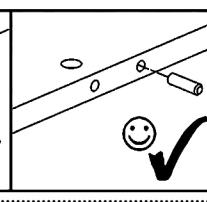
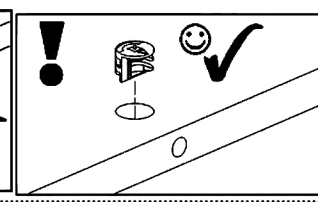
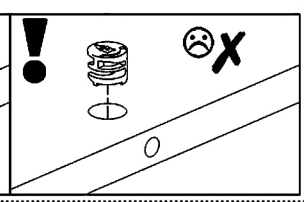
PACKING CODE


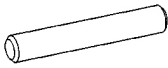



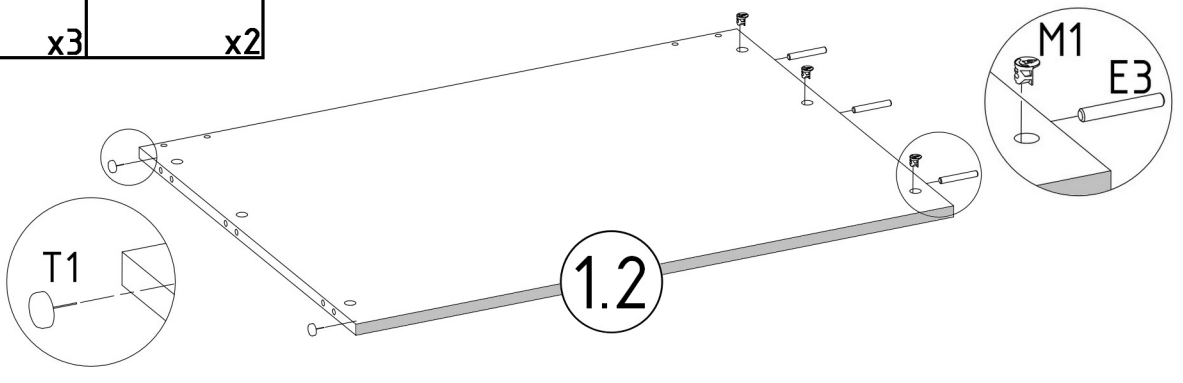
000781	4	1
002184	3	2
000130	2	4
001648	1	4
ID	NUMBER	QUANTITY

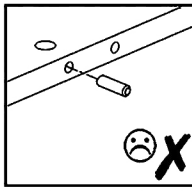
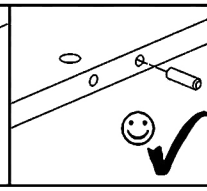
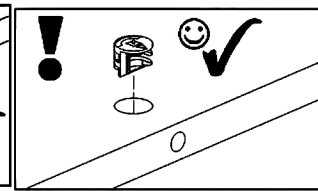
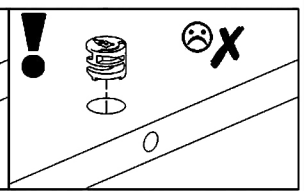
<b>M1</b>  12x15mm x3	<b>E3</b>  8x50mm x3	<b>T1</b>  x2
---	---	--


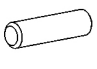


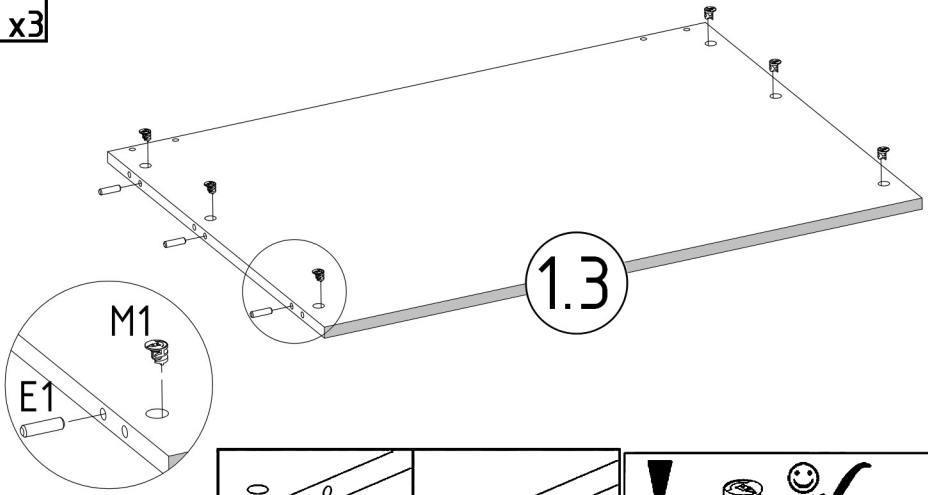
 ☹️ X	 😊 ✓	 ! ☹️ X	 ! 😊 ✓
--	---	---	---

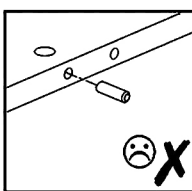
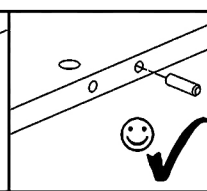
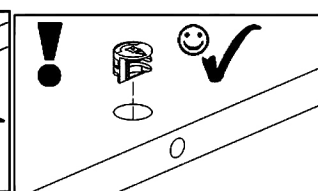
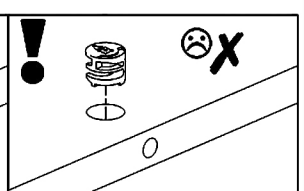
<b>M1</b>  12x15mm x3	<b>E3</b>  8x50mm x3	<b>T1</b>  x2
---	---	--

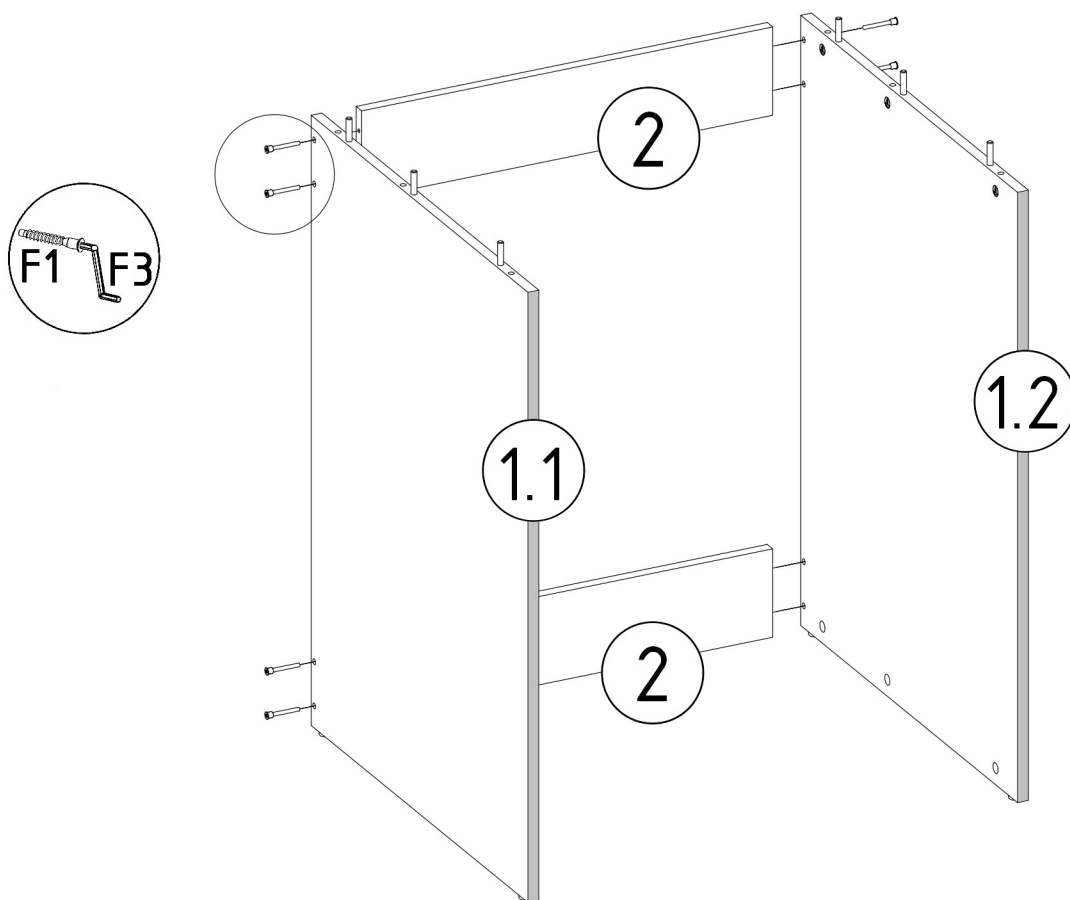
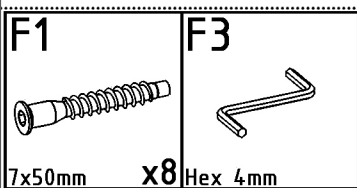
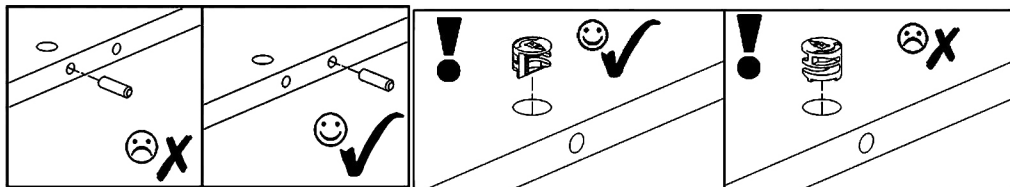
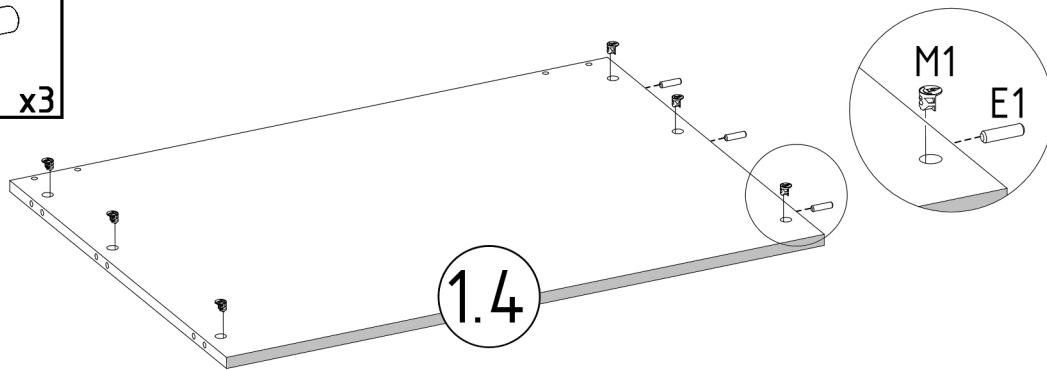
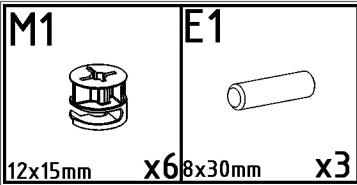


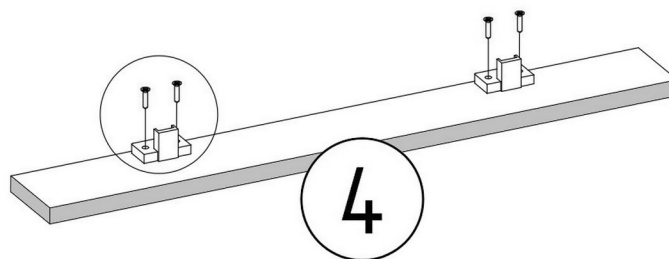
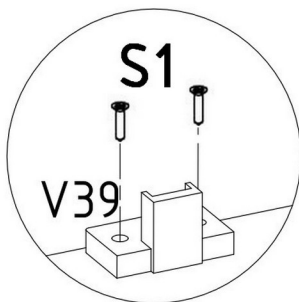
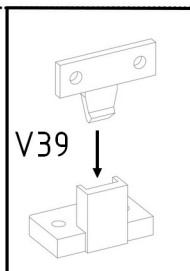
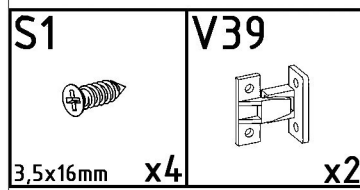
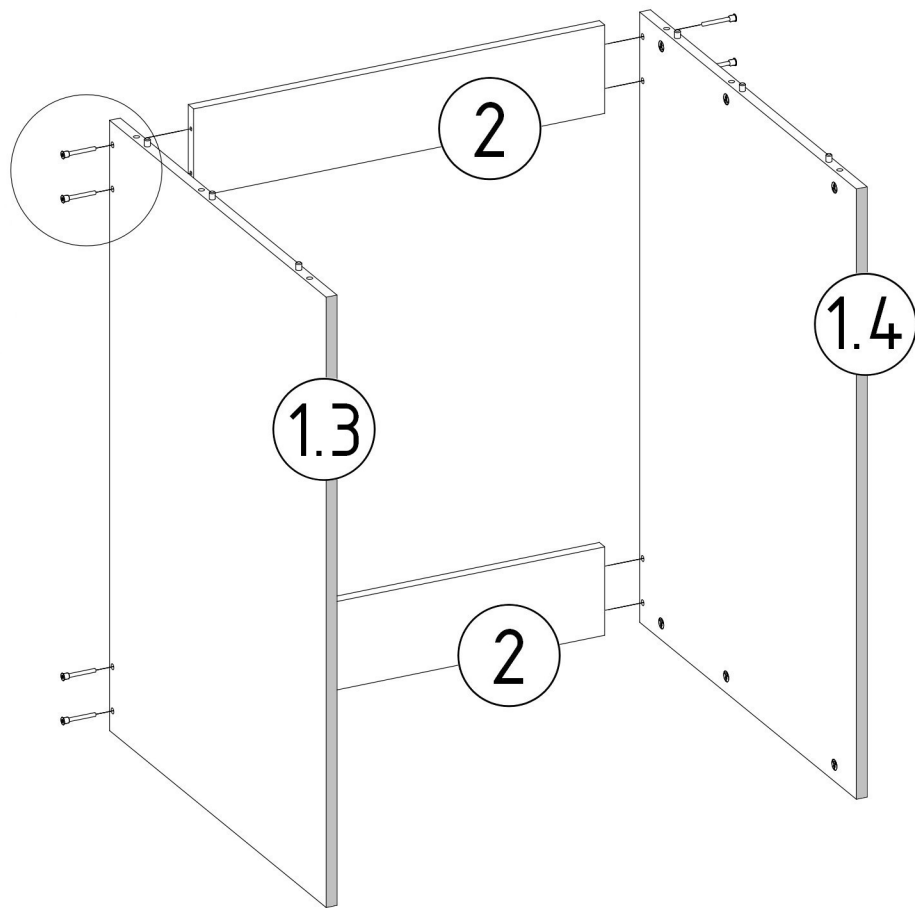
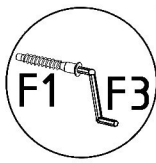
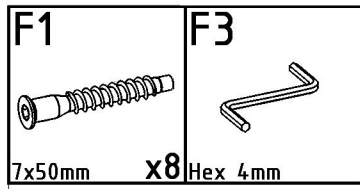
 ☹️ X	 😊 ✓	 ! ☹️ X	 ! 😊 ✓
--	---	---	---


<b>M1</b>  12x15mm x6	<b>E1</b>  8x30mm x3
---	---

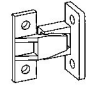


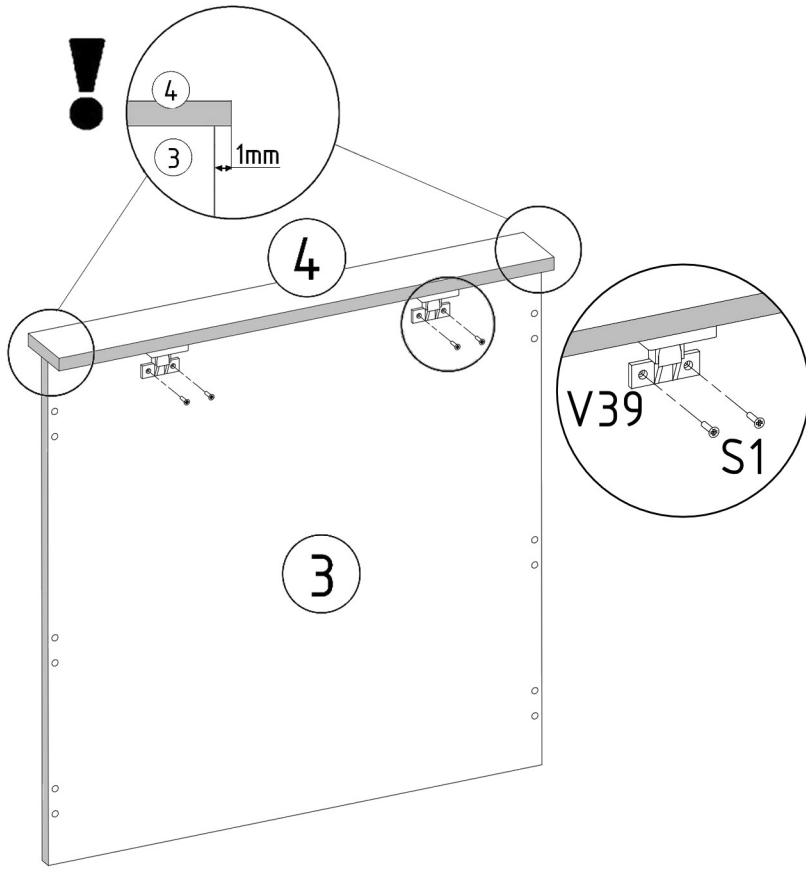
 ☹️ X	 😊 ✓	 ! ☹️ X	 ! 😊 ✓
--	---	---	---




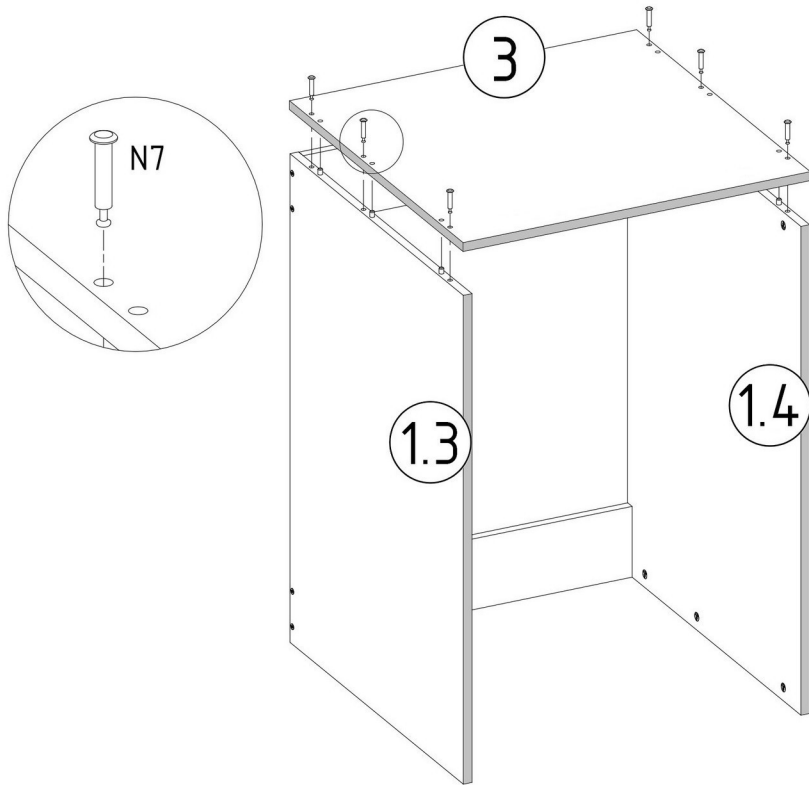
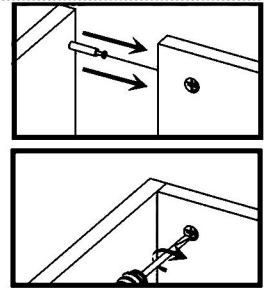


**S1**  
  
3,5x16mm **x4**

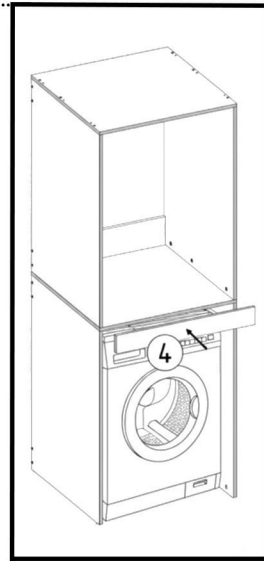
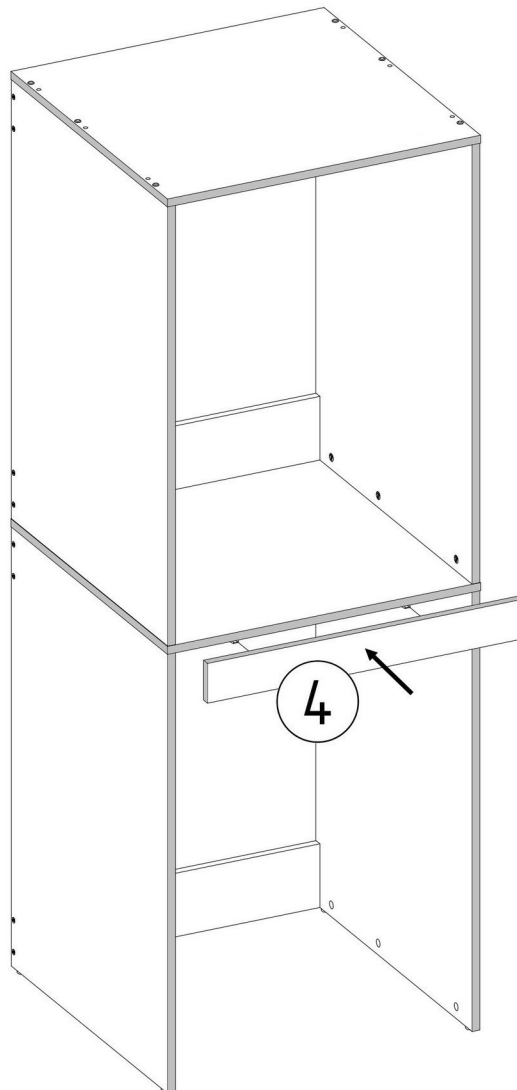
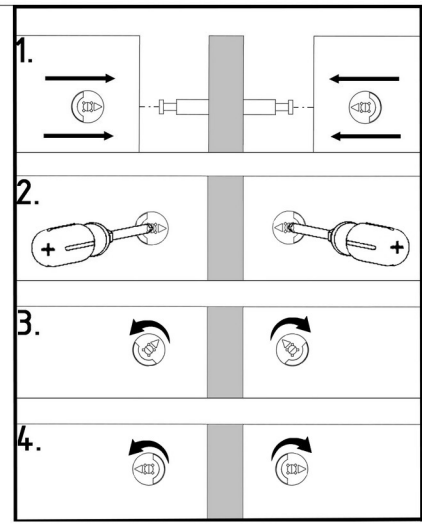
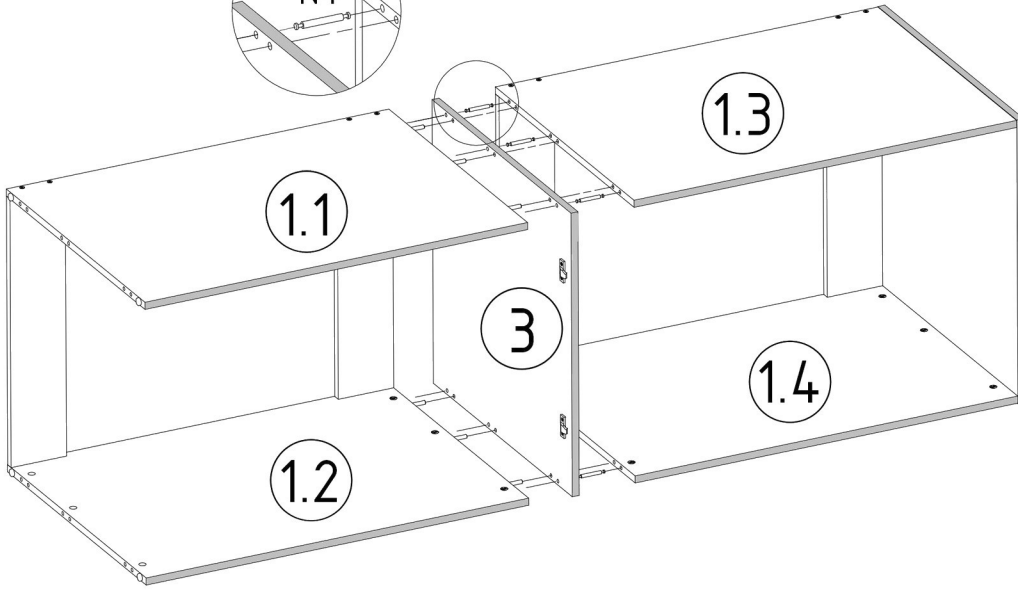
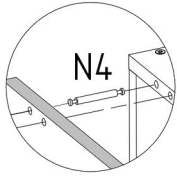
**V39**  
  
**x2**










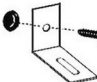
**N7**  
  
L=42mm **x6**



**N4**  
L=62mm **x6**



<b>B2</b>  ø12/4mm x16	<b>V41</b>  x1	<b>S1</b>  3,5x16mm x2
--	---	---

				<b>V41</b> 
--	---	---	---	---

