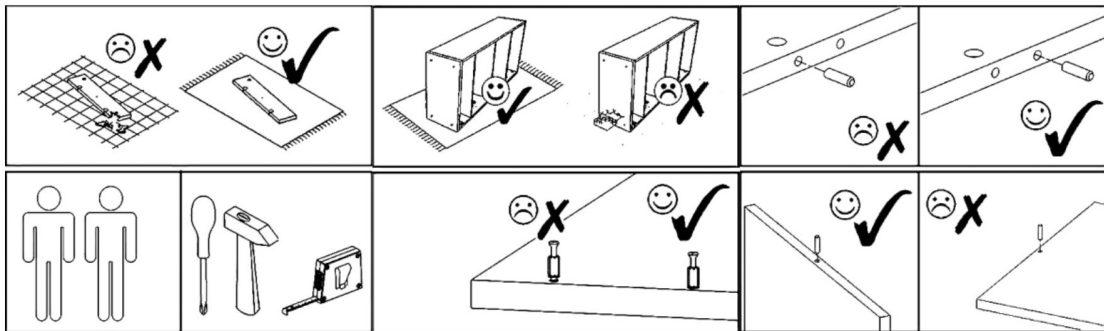
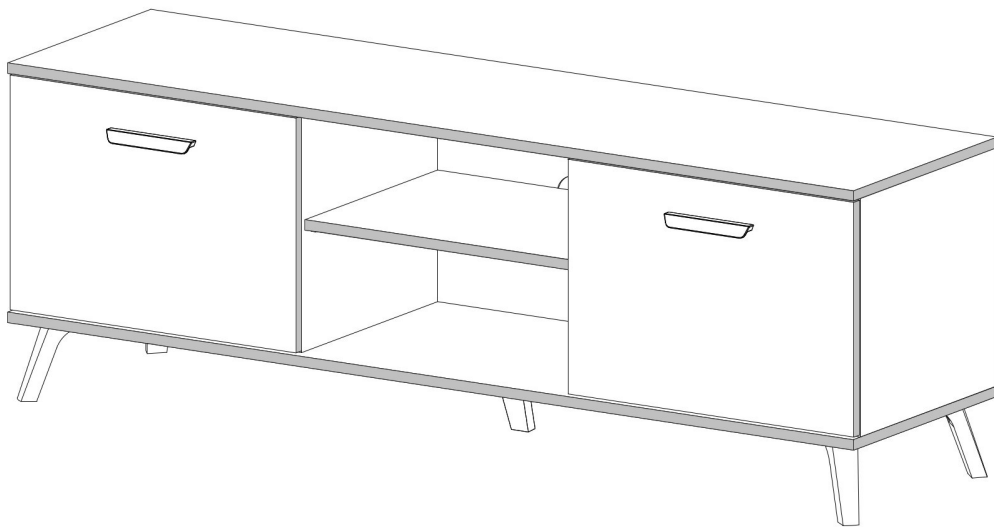













OLYMPO 150

PRODUCTION DATE

PACKING CODE

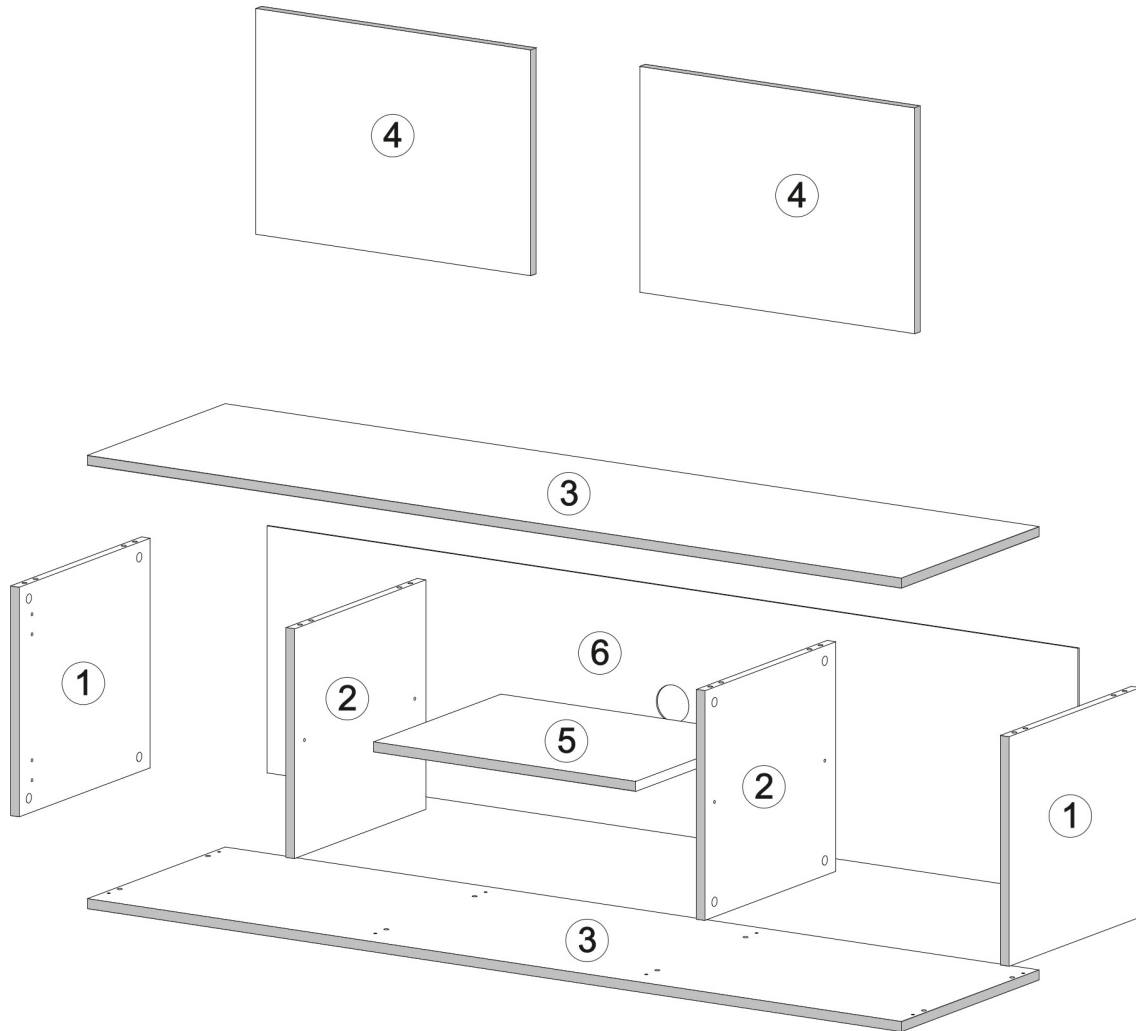


A1  ZP x4	E1  8x30mm x16	M1  12x15mm x16	N1  L=35mm x16	S1  3,5x16mm x23	V16  5x16mm x4	Z1  x60	S7  4x25mm x4		
V13  x1	T8  H=120mm x5	U19  L=152/128mm x2							

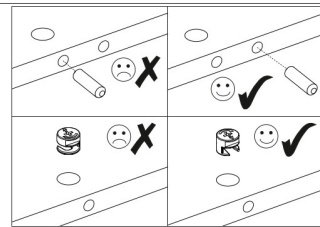
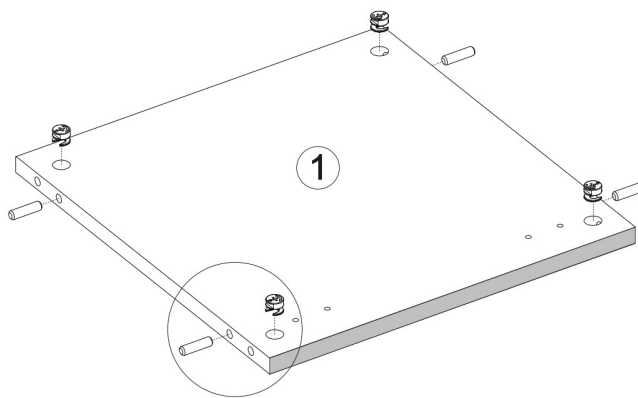
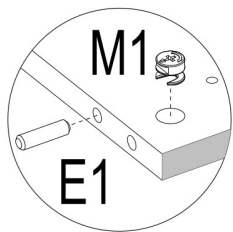
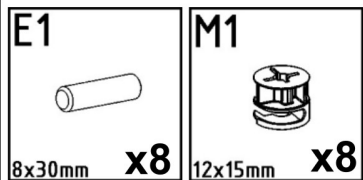
OLYMPO 150

PRODUCTION DATE

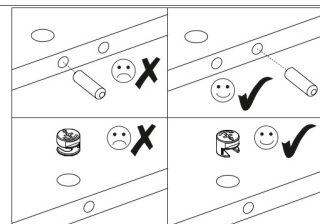
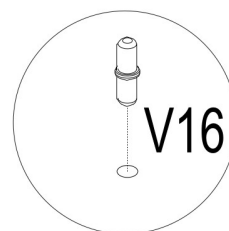
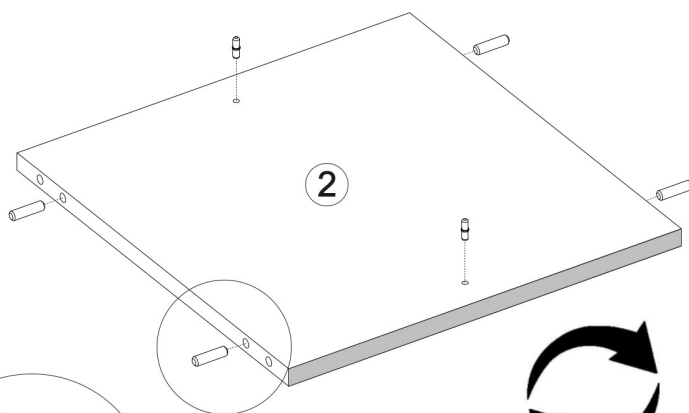
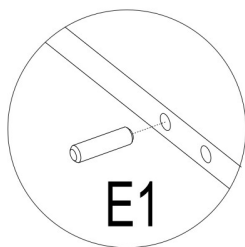
PACKING CODE



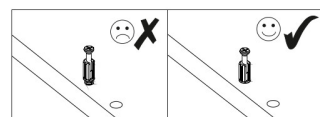
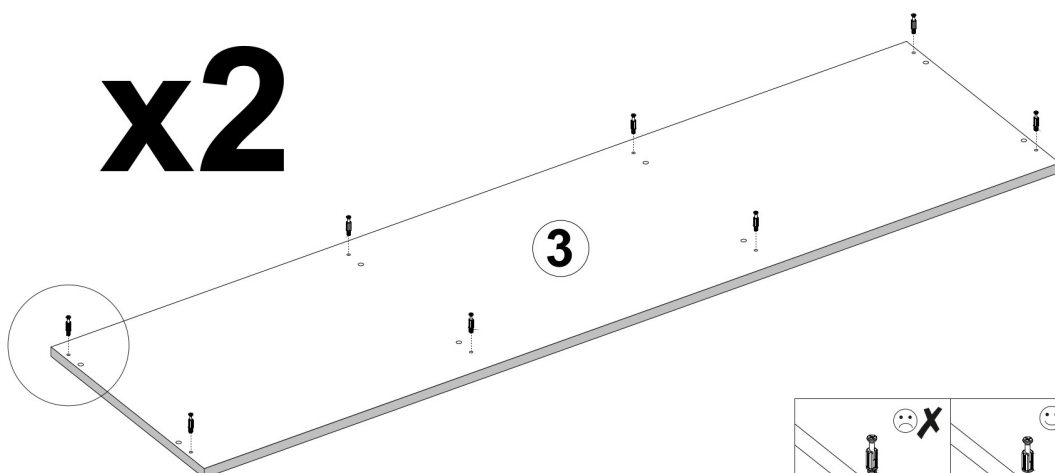
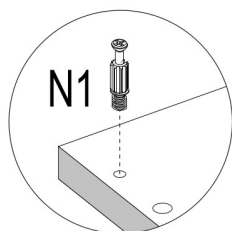
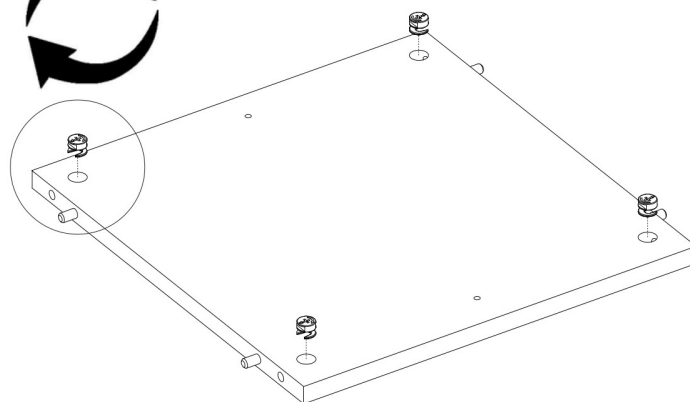
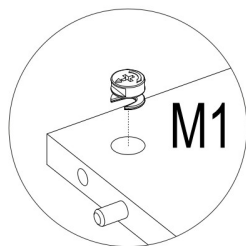
002258	1	2
002255	2	2
002204	3	2
002257	4	2
000342	5	1
002256	6	1
ID	NUMBER	QUANTITY

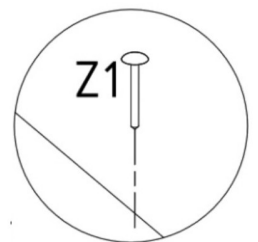
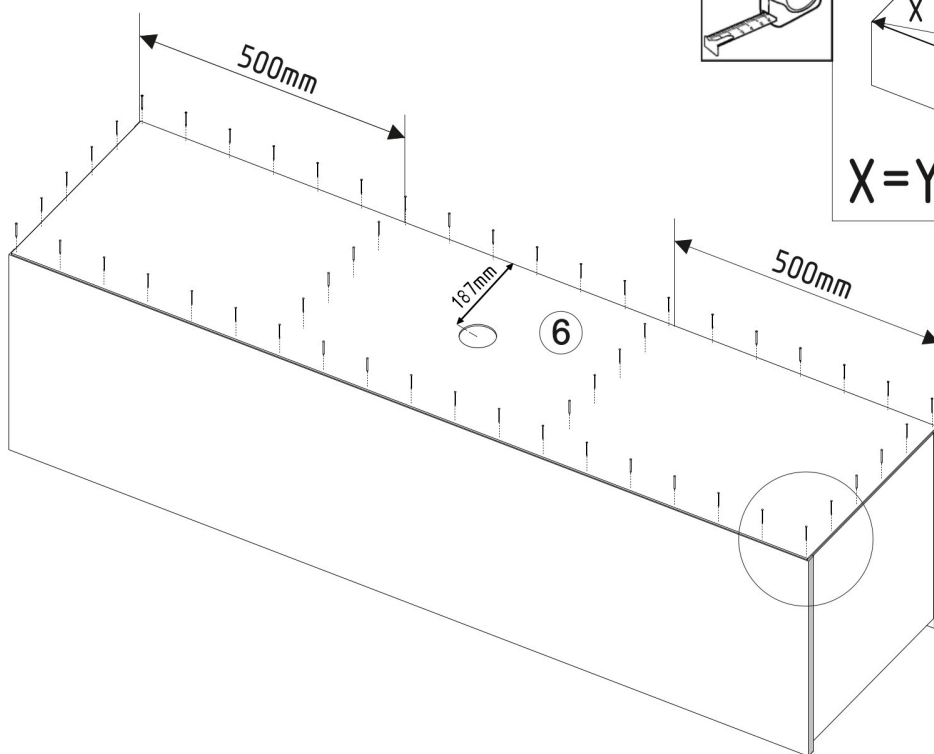
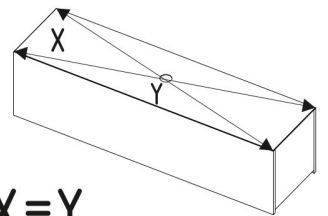
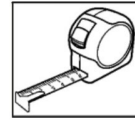
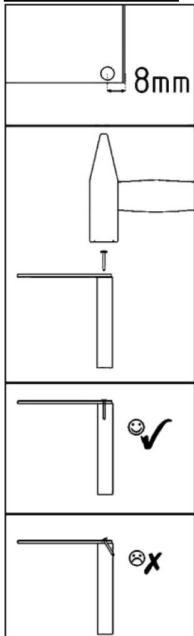
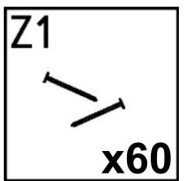
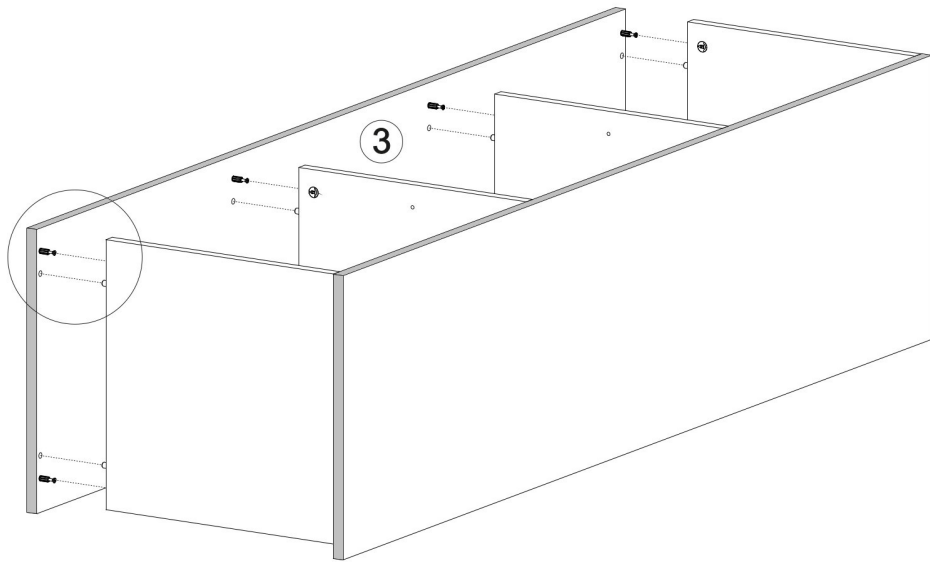
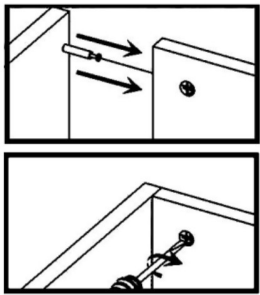
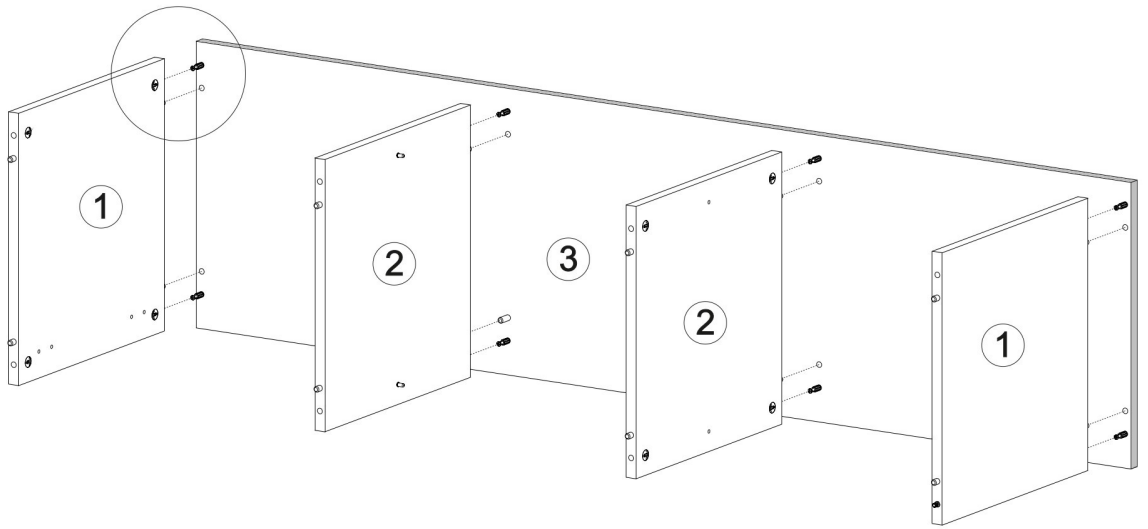
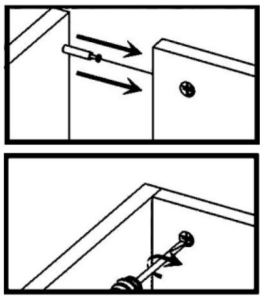


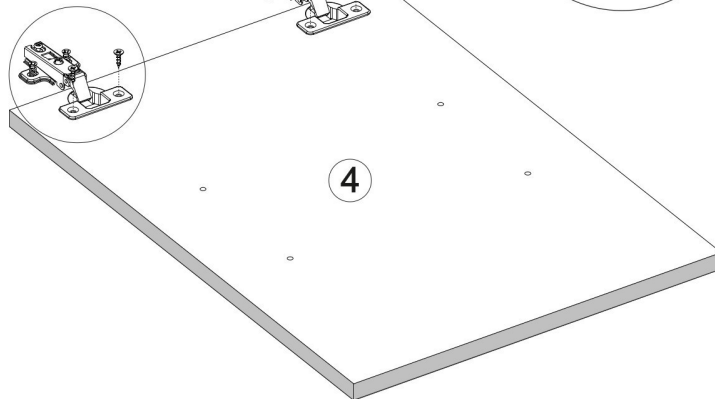
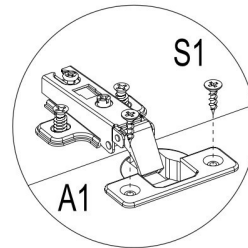
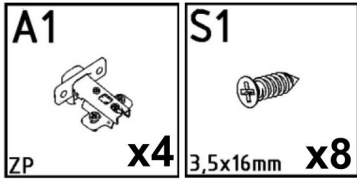
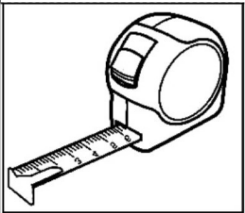
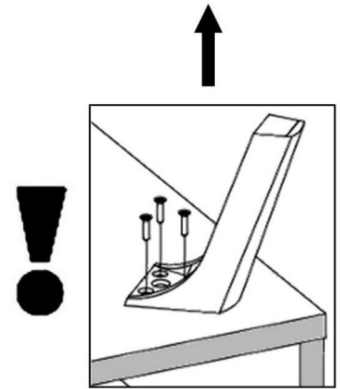
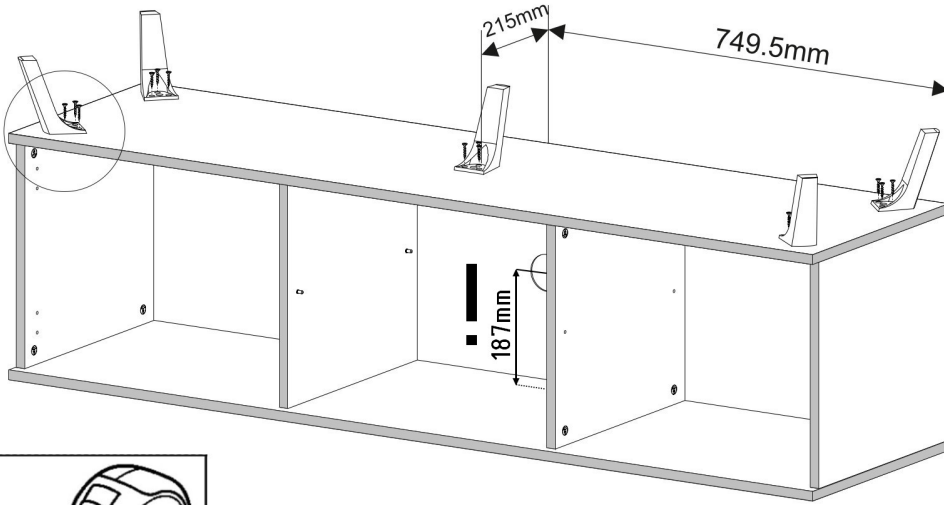
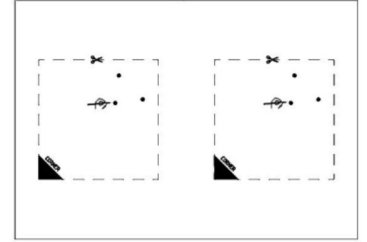
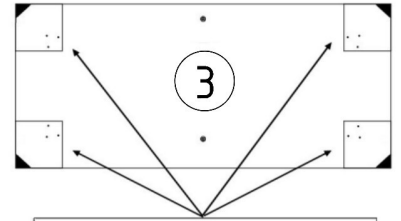
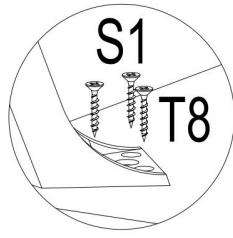
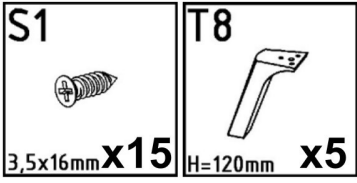
x2



x2







x2

