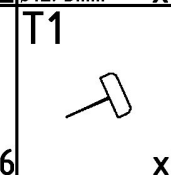
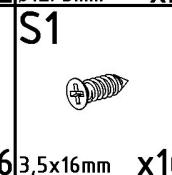
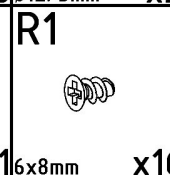
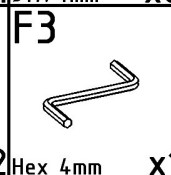
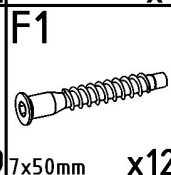
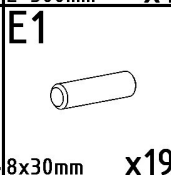
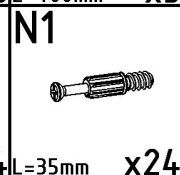
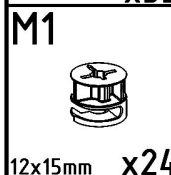
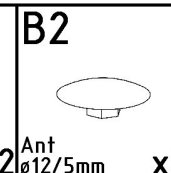
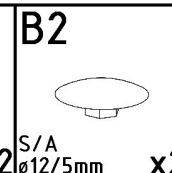
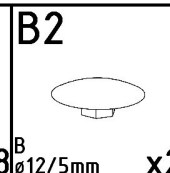
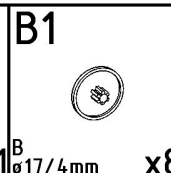
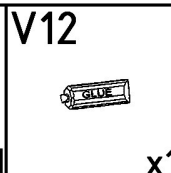
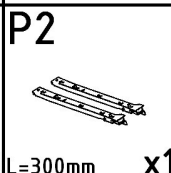
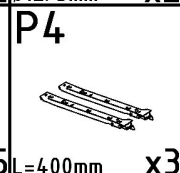
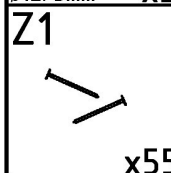
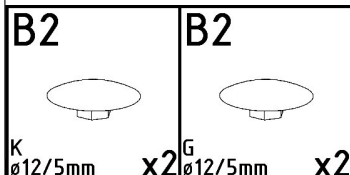
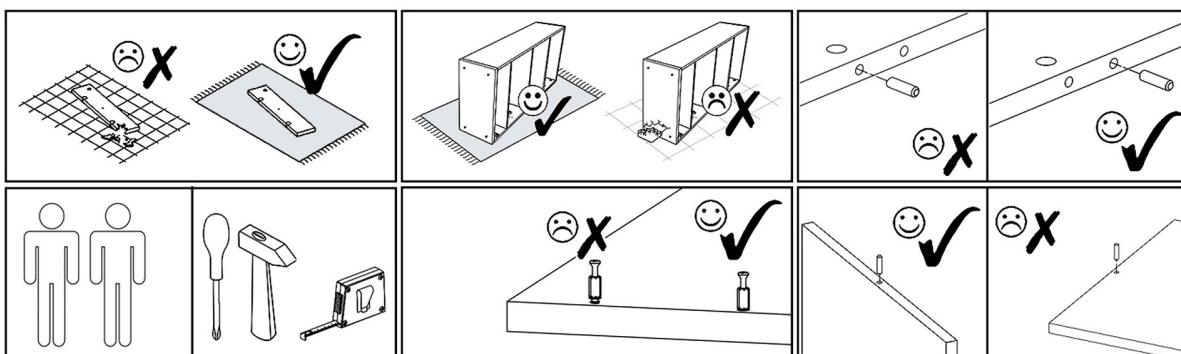
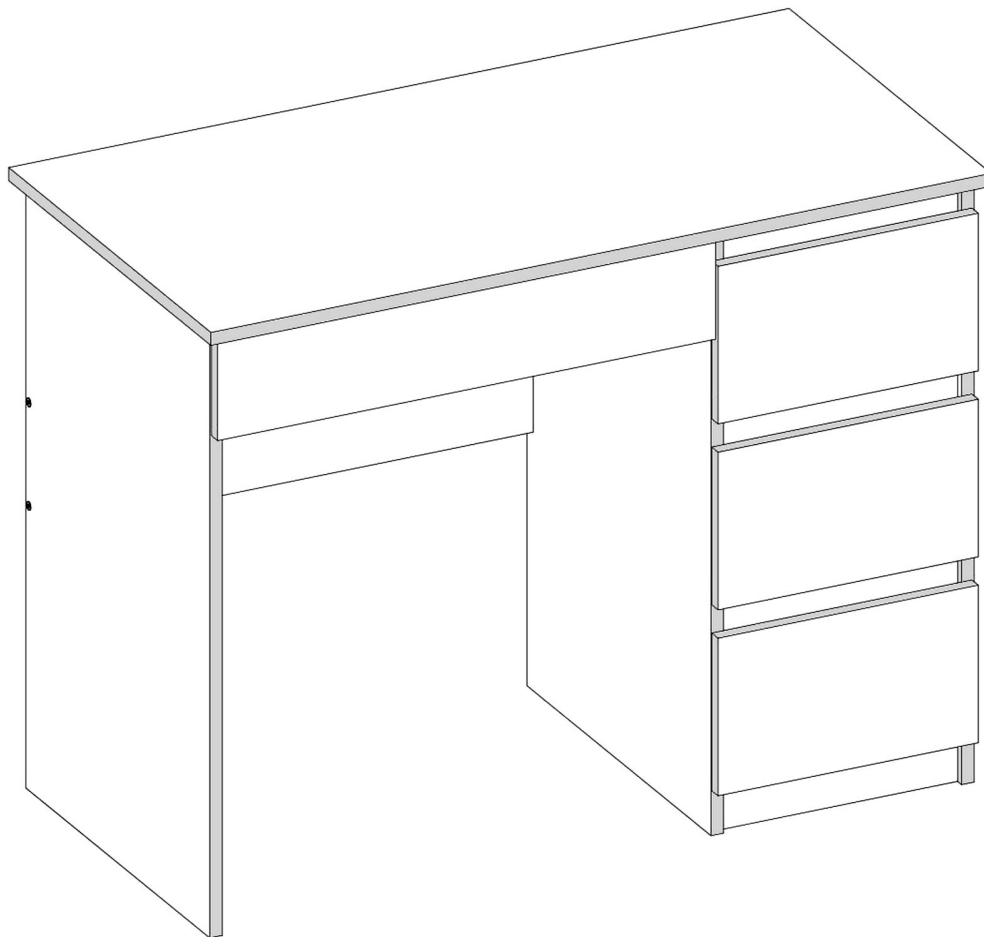


# MIJAS P

PRODUCTION DATE

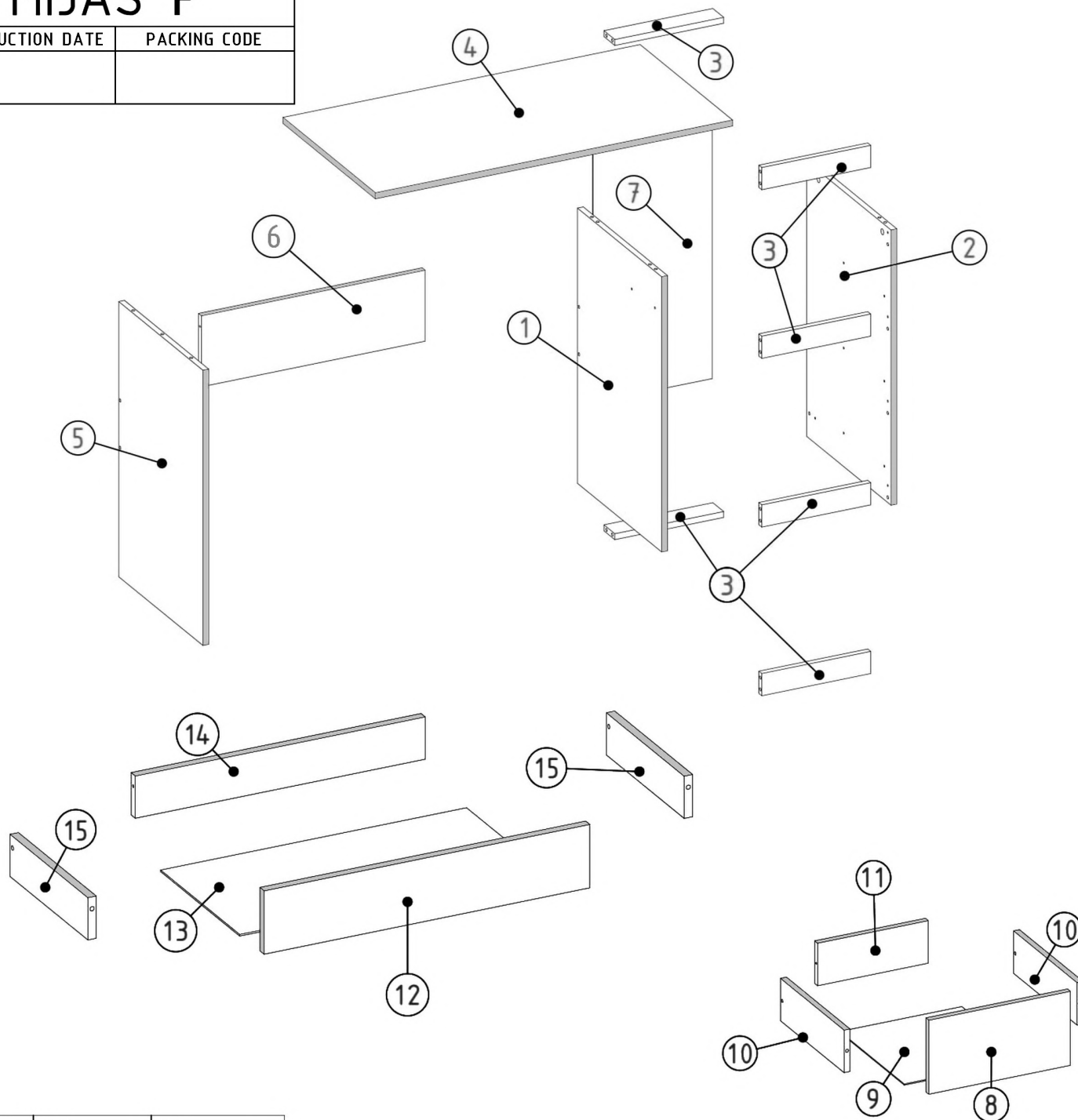
PACKING CODE



## MIJAS P



PRODUCTION DATE

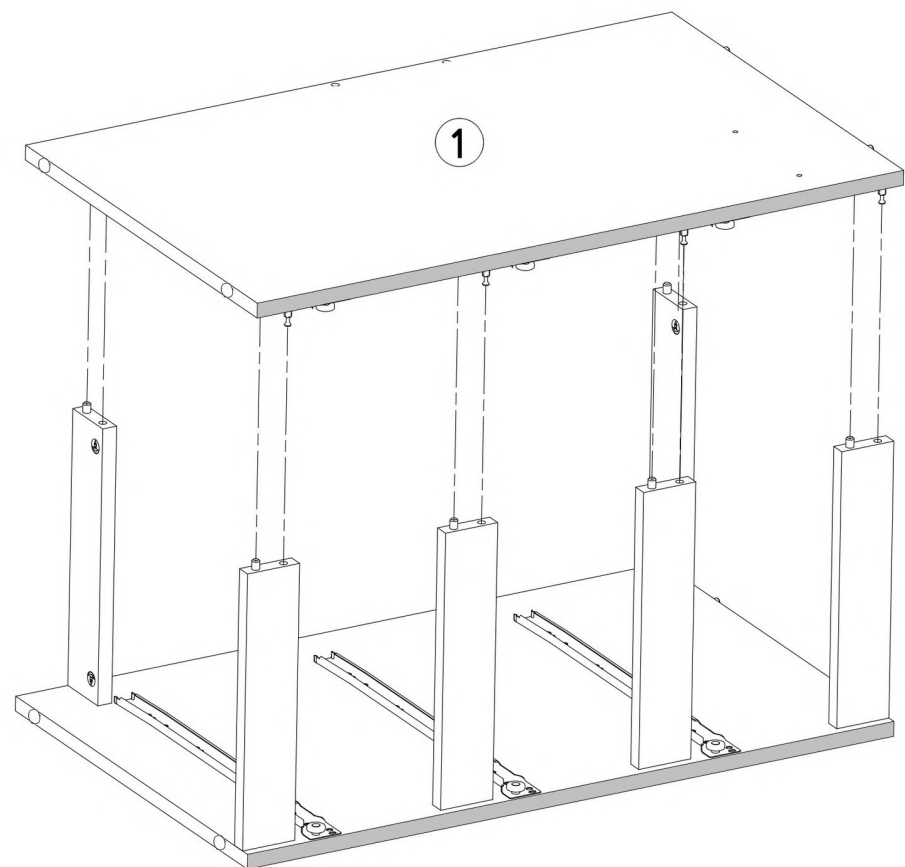
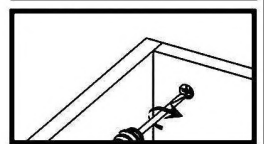
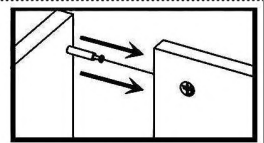
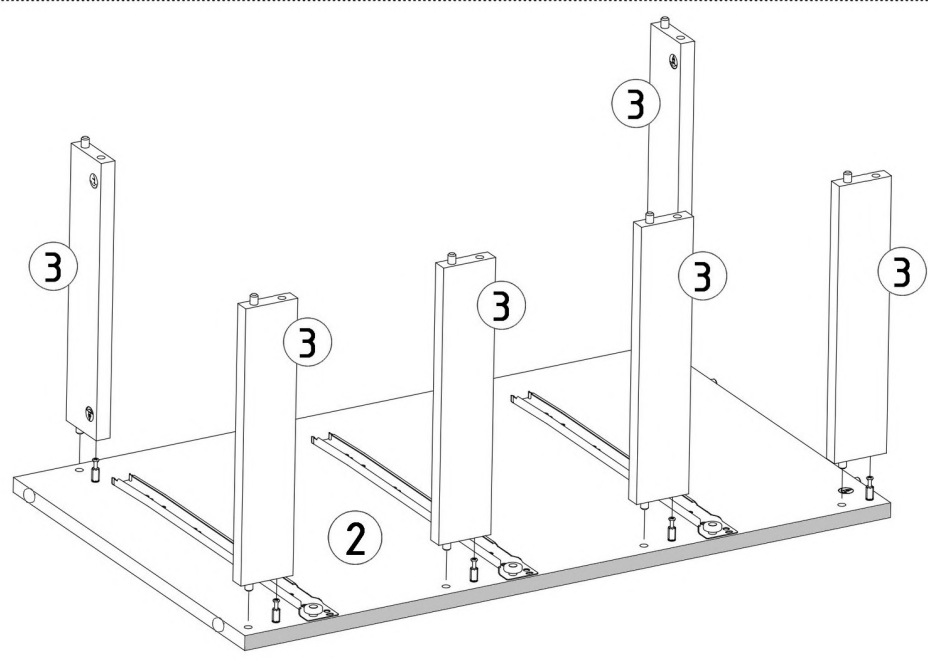
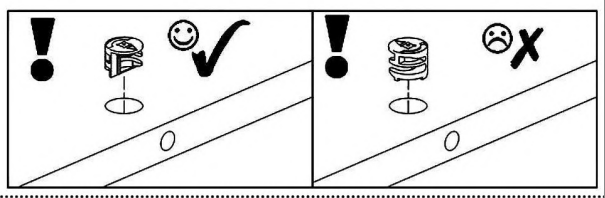
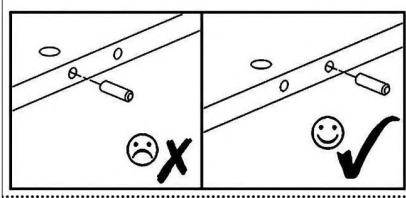
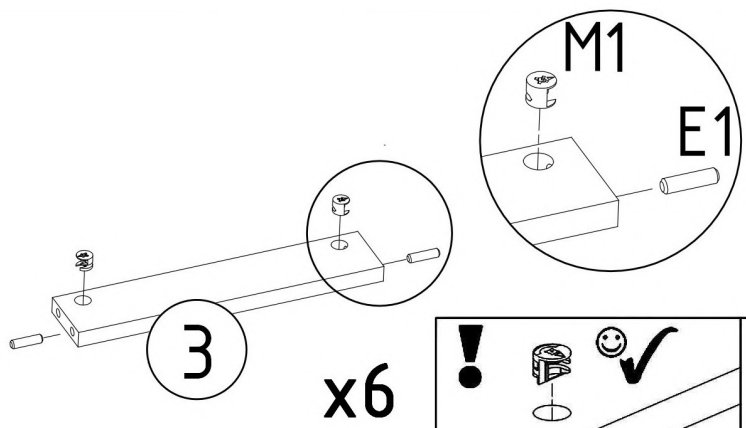
PACKING CODE






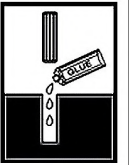
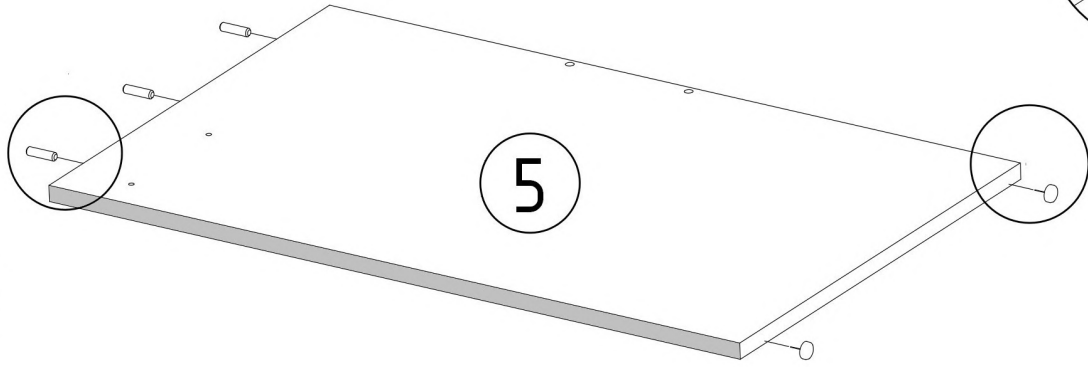
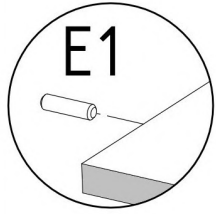
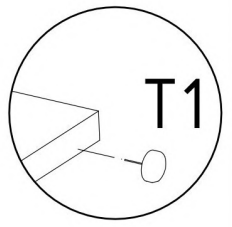
|        |        |          |
|--------|--------|----------|
| 000032 | 15     | 2        |
| 000107 | 14     | 1        |
| 000034 | 13     | 1        |
| 000428 | 12     | 1        |
| 000007 | 11     | 3        |
| 000083 | 10     | 6        |
| 000021 | 9      | 3        |
| 000044 | 8      | 3        |
| 000147 | 7      | 1        |
| 000133 | 6      | 1        |
| 000430 | 5      | 1        |
| 000429 | 4      | 1        |
| 000030 | 3      | 6        |
| 000431 | 2      | 1        |
| 000432 | 1      | 1        |
| ID     | NUMBER | QUANTITY |

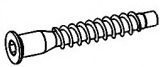
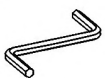


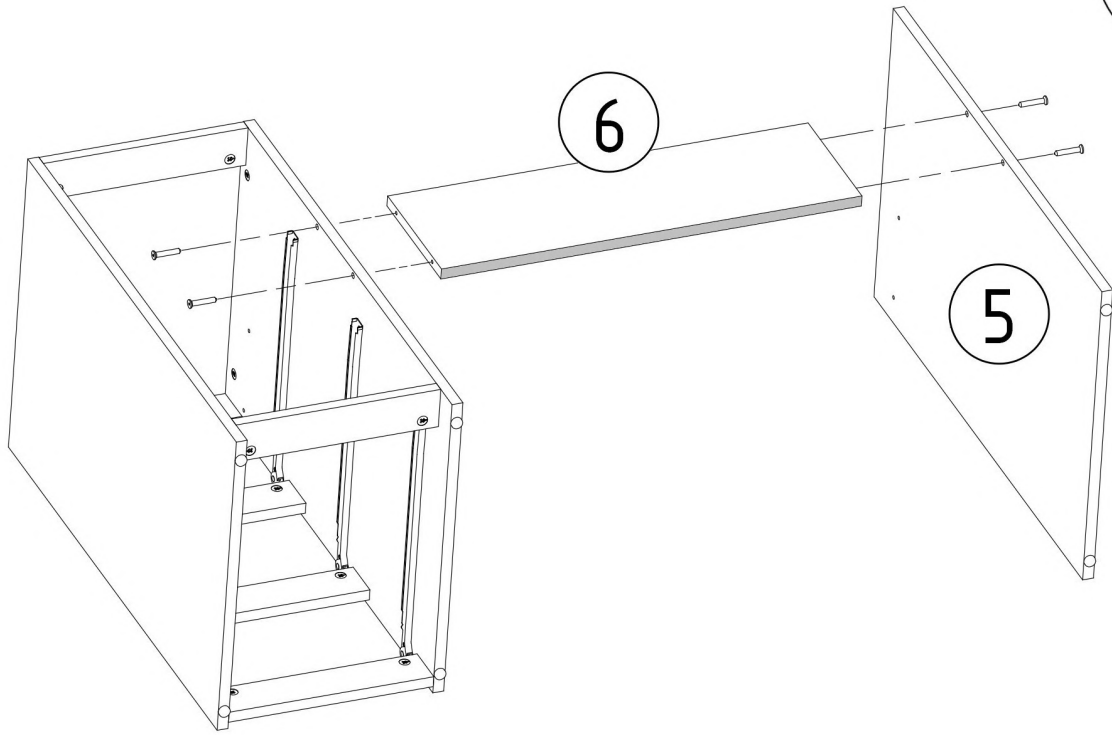
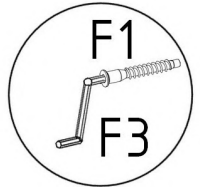
|   |  |
|---|--|
| <b>E1</b><br><br>8x30mm x12 | <b>M1</b><br><br>12x15mm x12 |
|---|--|



|  |  |   |
|--|--|---|
| <b>E1</b><br><br>8x30mm x3 | <b>T1</b><br><br>x2 | <b>V12</b><br><br>x2 |
|--|--|---|



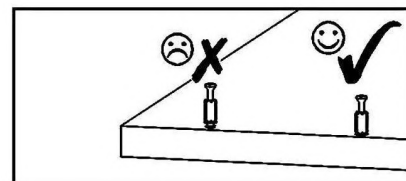
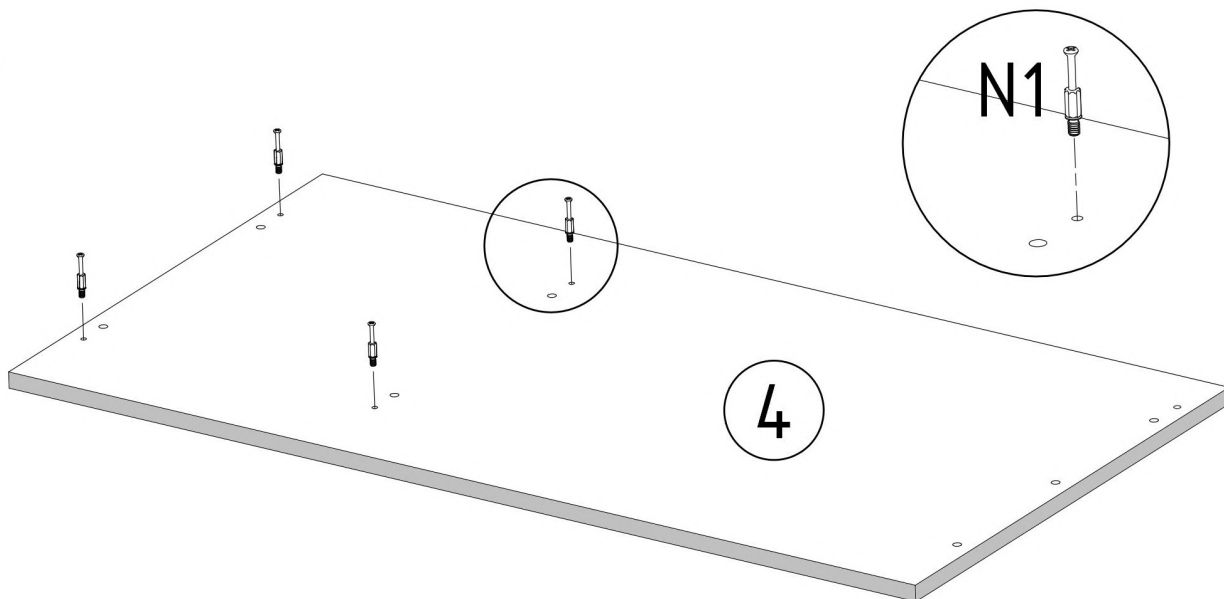
|  |  |
|--|--|
| <b>F1</b><br><br>7x50mm x4 | <b>F3</b><br><br>Hex 4mm |
|--|--|



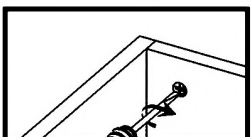
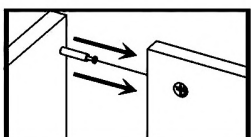
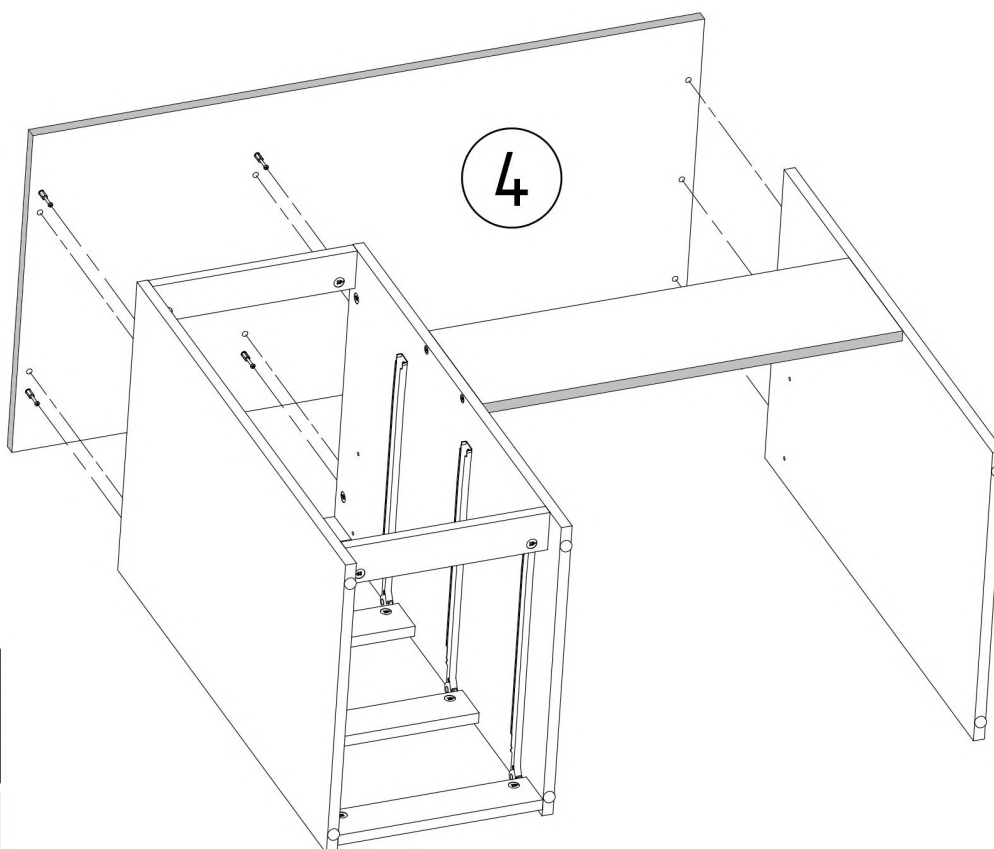
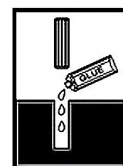
N1

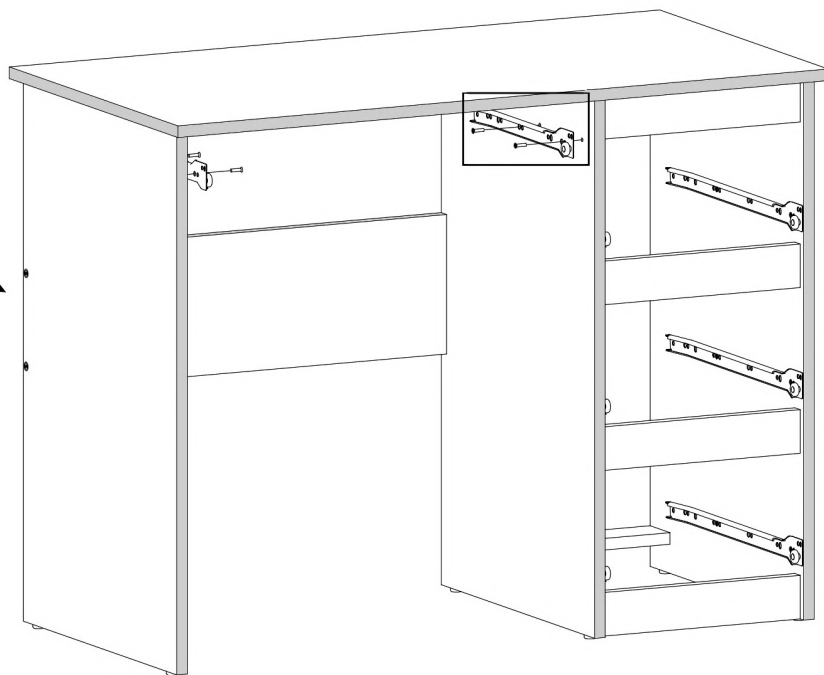
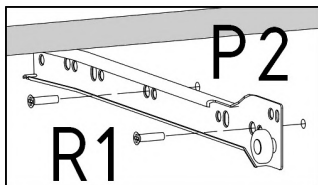
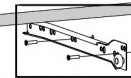
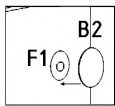
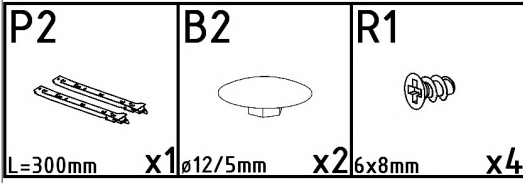
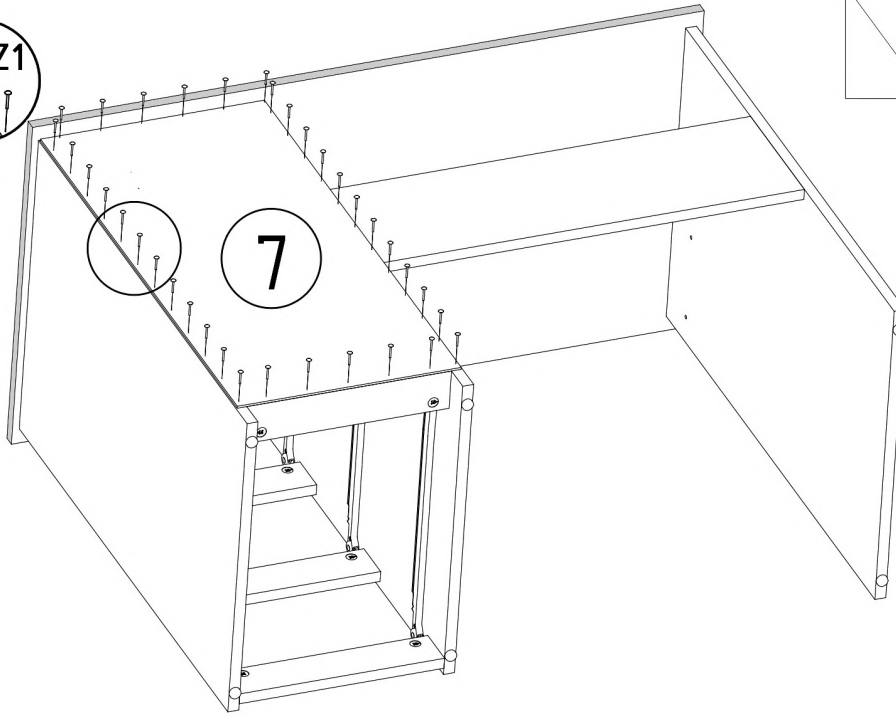
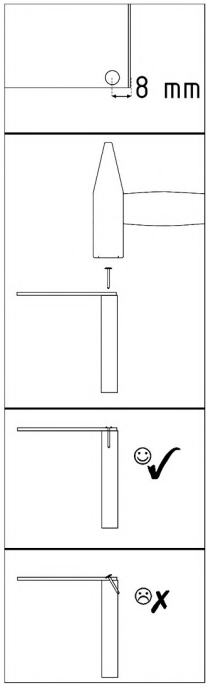
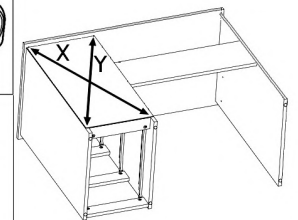
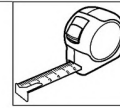
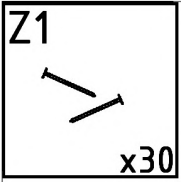


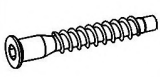
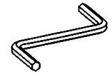

L=35mm X4

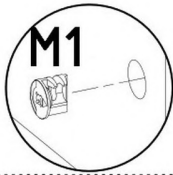
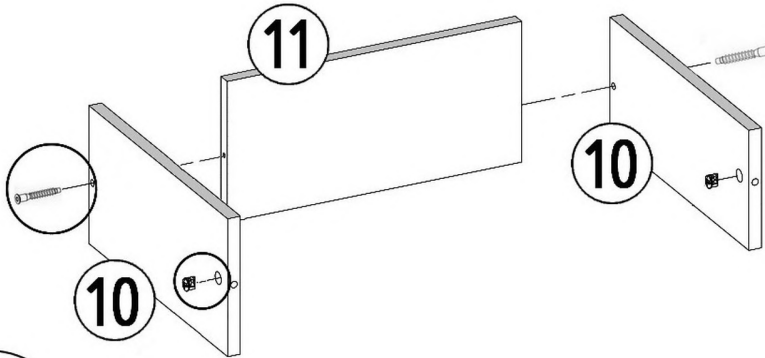
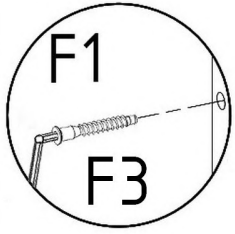
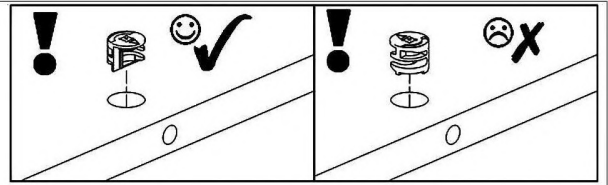


V12



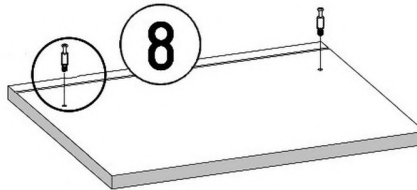
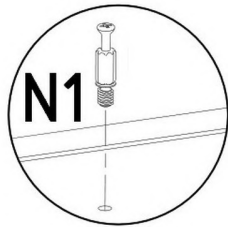
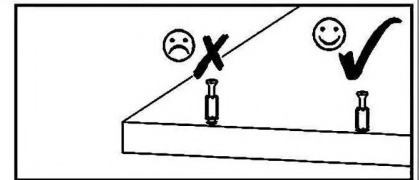


|   |  |   |
|---|--|---|
| <b>F1</b><br><br>7x50mm X6 | <b>F3</b><br><br>Hex 4mm | <b>M1</b><br><br>12x15mm X6 |
|---|--|---|




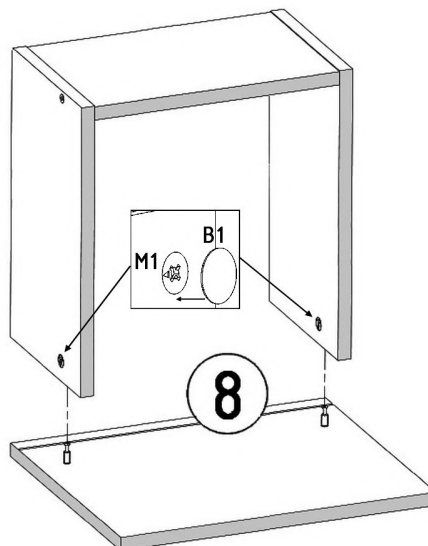
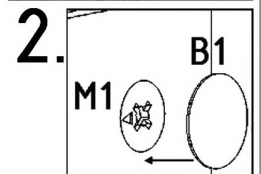
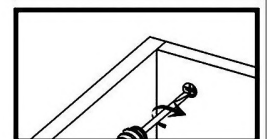
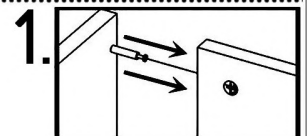
x3

|   |
|---|
| <b>N1</b><br><br>L=35mm X6 |
|---|

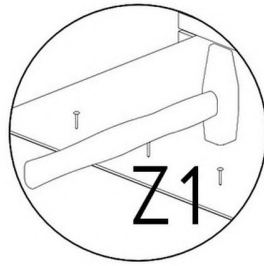
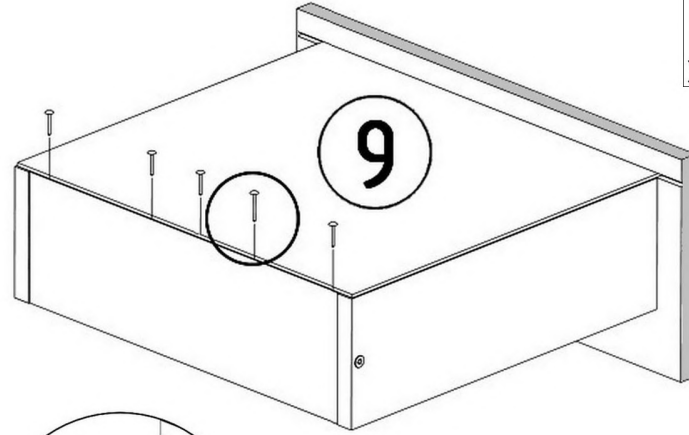
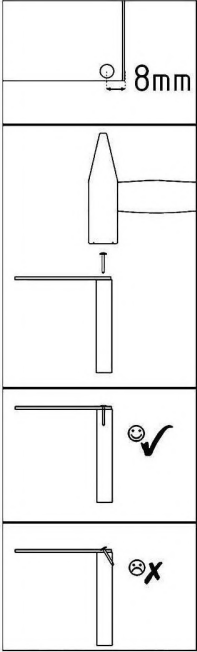
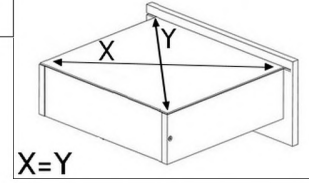
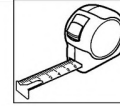
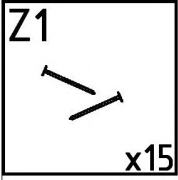


x3

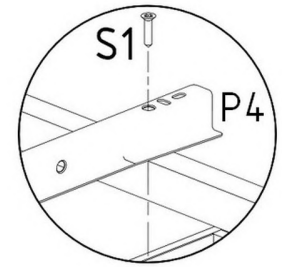
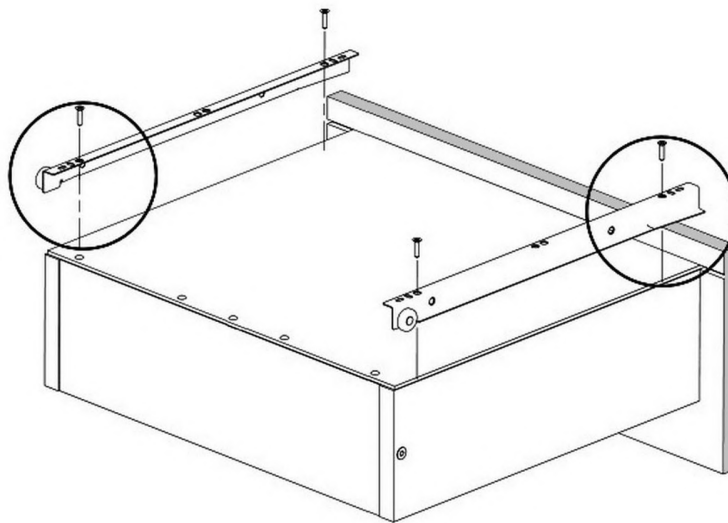
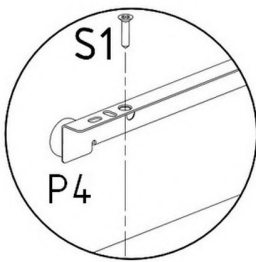
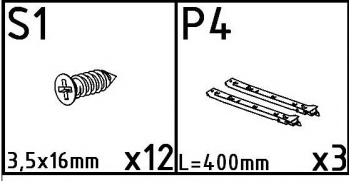
|   |
|---|
| <b>B1</b><br><br>ø17/4mm X6 |
|---|



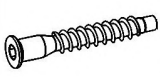
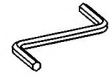

x3

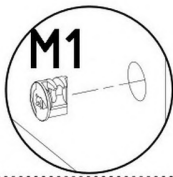
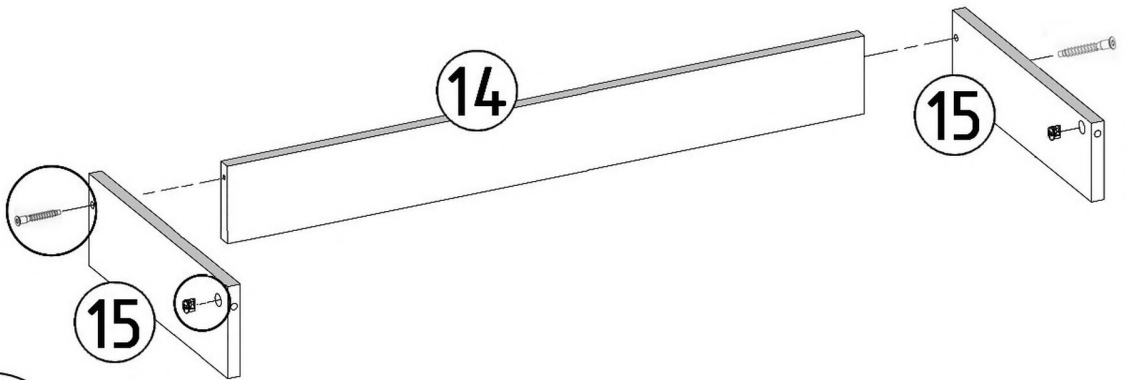
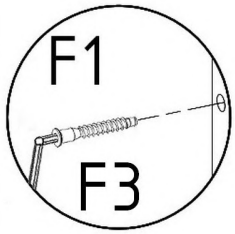
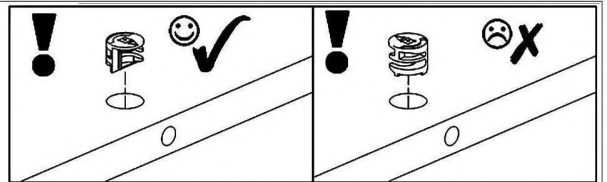


x3

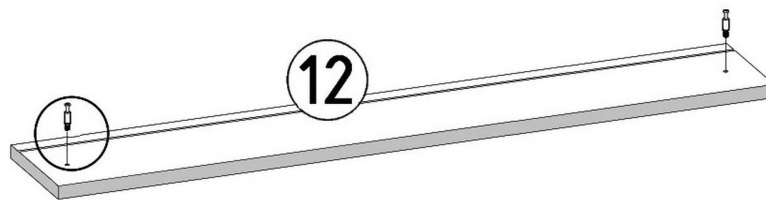
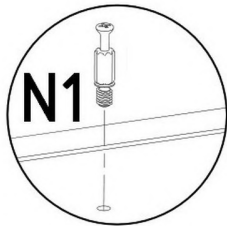
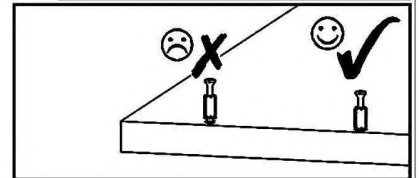



x3

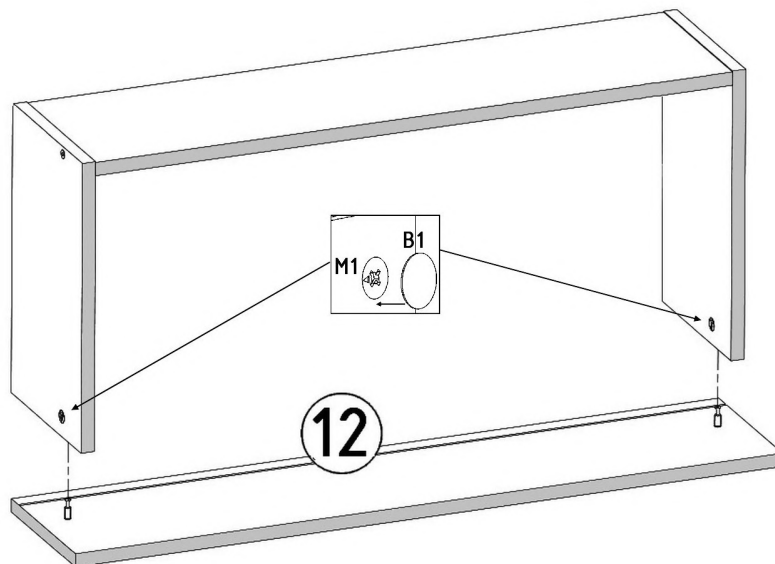
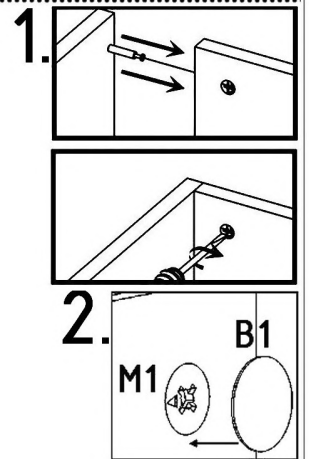
|   |  |   |
|---|--|---|
| <b>F1</b><br><br>7x50mm x2 | <b>F3</b><br><br>Hex 4mm | <b>M1</b><br><br>12x15mm x2 |
|---|--|---|




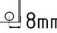
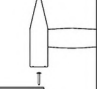

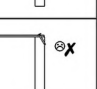
|   |
|---|
| <b>N1</b><br><br>L=35mm x2 |
|---|

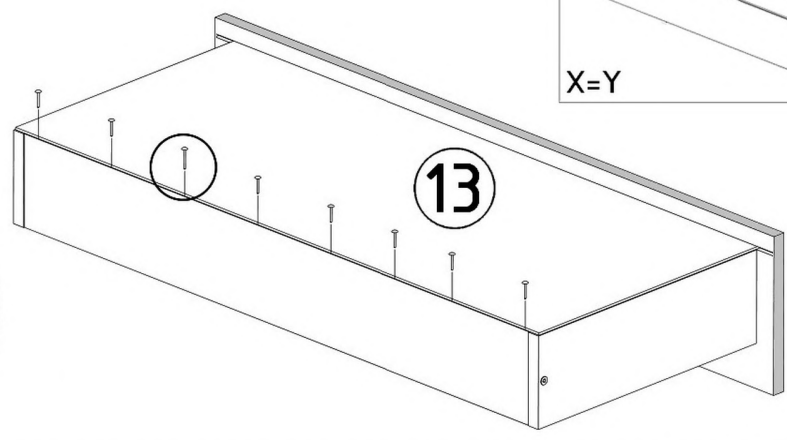
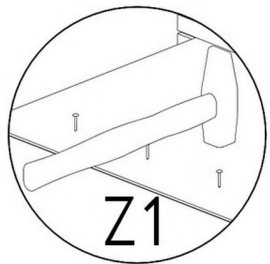
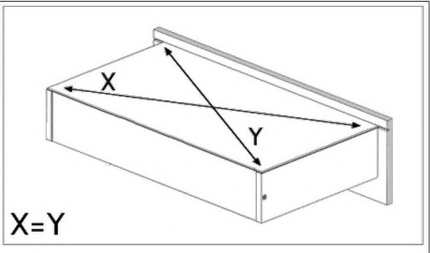
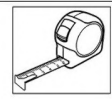



|   |
|---|
| <b>B1</b><br><br>ø17/4mm x2 |
|---|

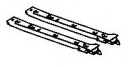


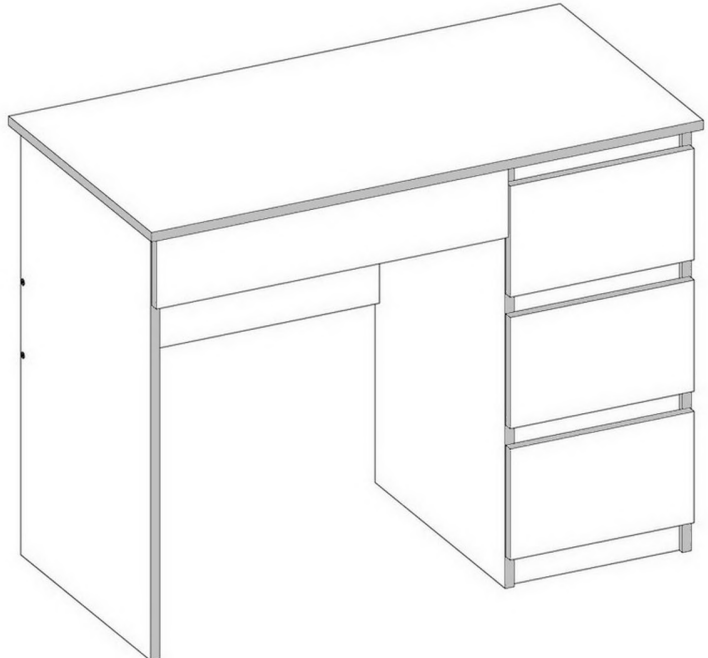
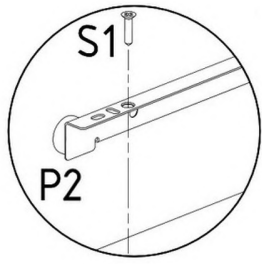
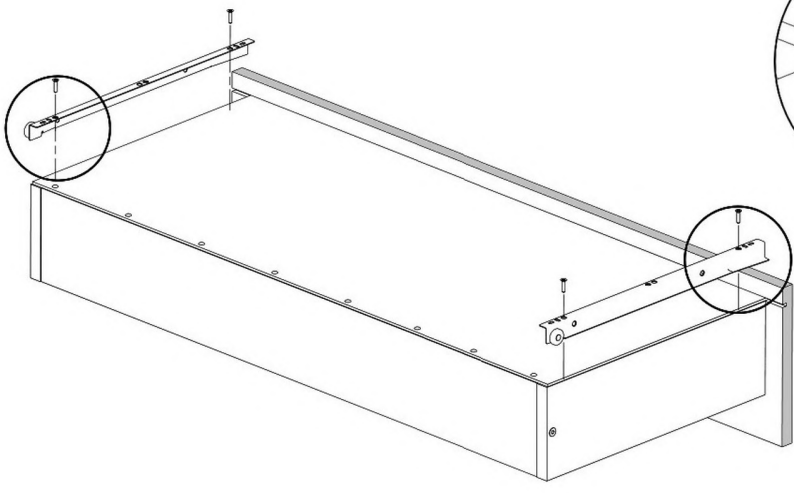
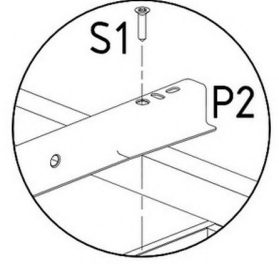
**Z1**  
  
**x10**

 8mm  
  
  




**S1**  
  
3,5x16mm

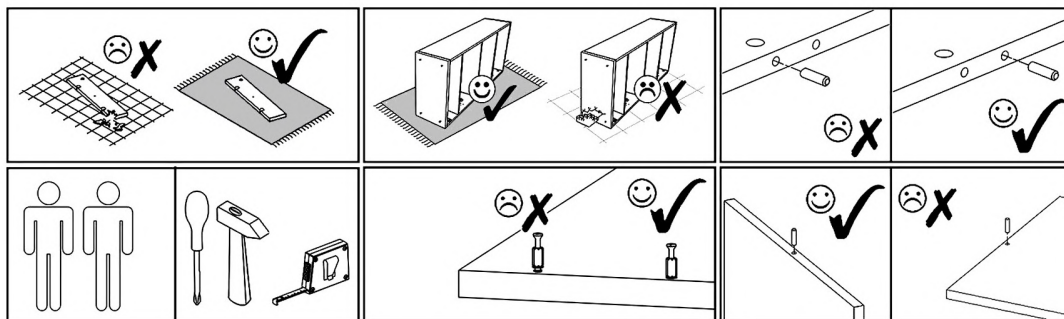
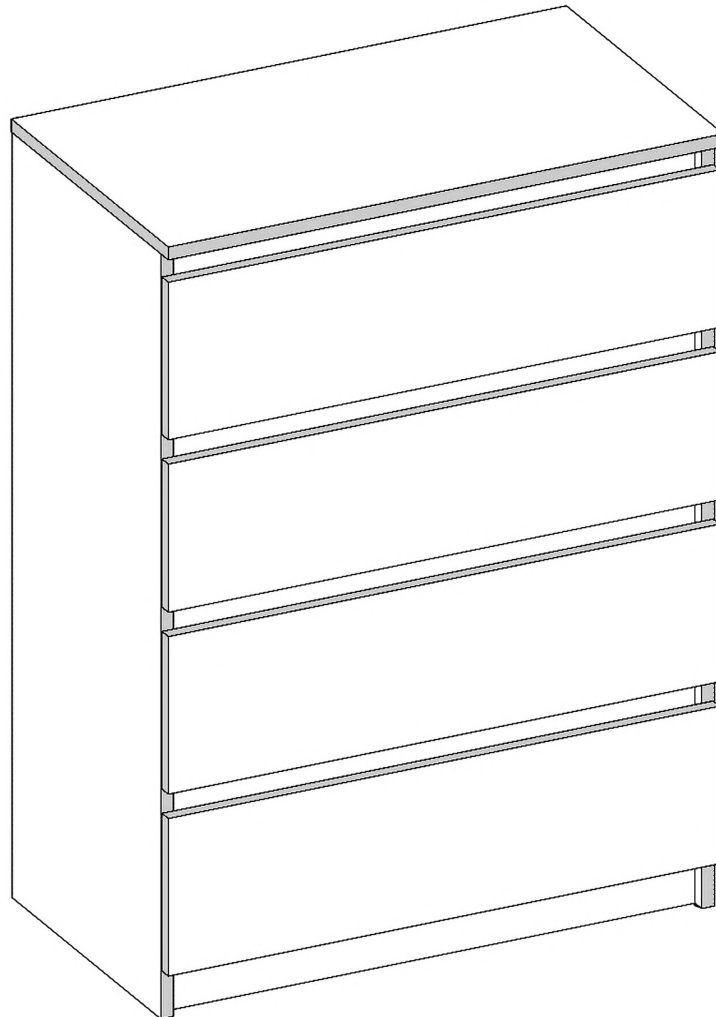
**P2**  
  
L=300mm








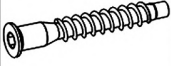
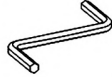

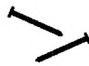


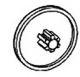
M4

PRODUCTION DATE

PACKING CODE



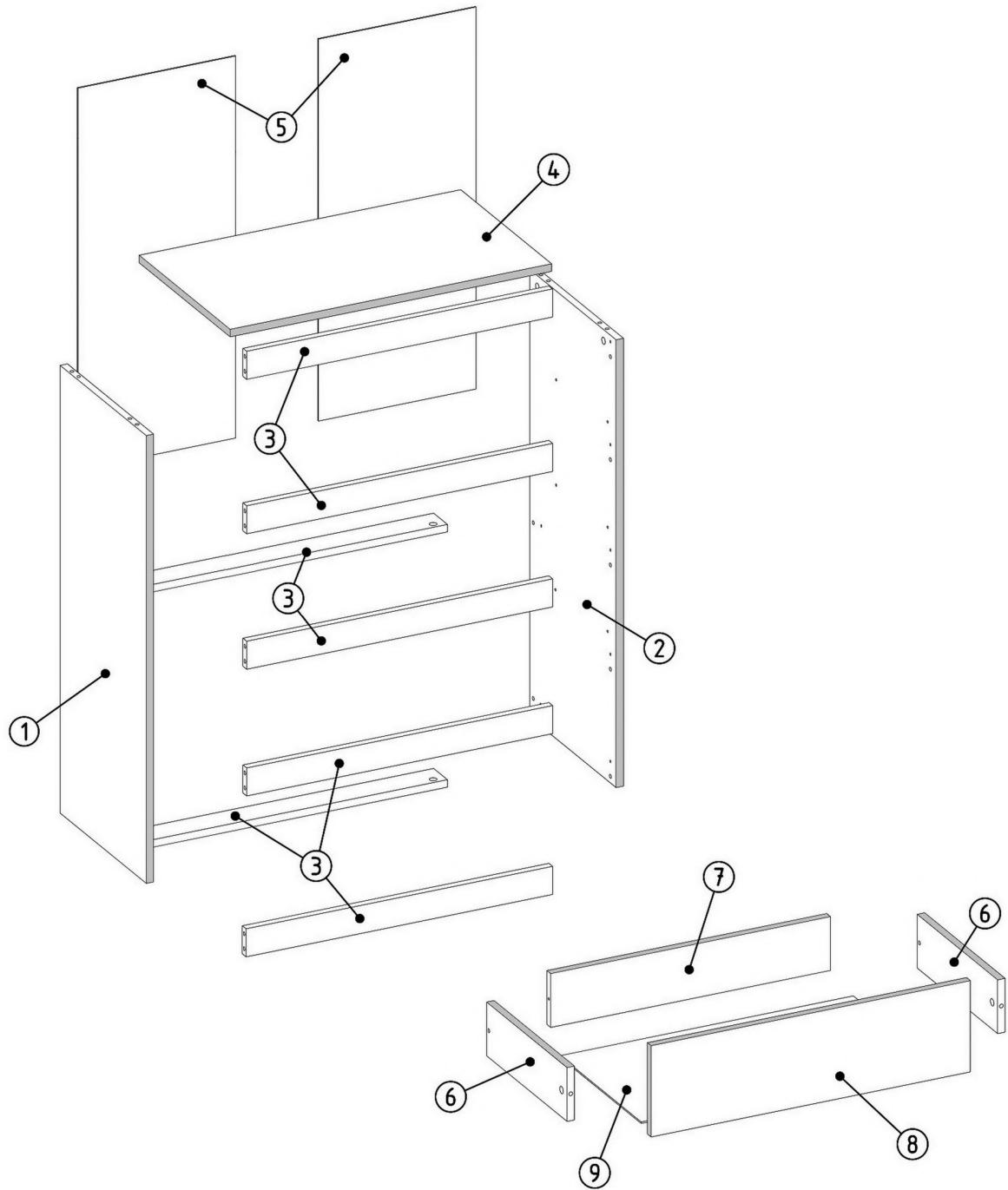
|   |   |   |  |   |
|---|---|---|--|---|
| <b>N1</b><br><br>L=35mm x26 | <b>M1</b><br><br>12x15mm x26 | <b>E1</b><br><br>ø8x30mm x18 | <b>S1</b><br><br>3,5x16mm x16 | <b>R1</b><br><br>6x8mm x16 |
|---|---|---|--|---|

|  |  |  |   |  |  |  |
|--|--|--|---|--|--|--|
| <b>F1</b><br><br>7x50mm x8 | <b>F3</b><br><br>x1 | <b>T1</b><br><br>x4 | <b>Z1</b><br><br>x70 | <b>P3</b><br><br>L=350mm x4 | <b>V13</b><br><br>x1 | <b>B1</b><br><br>ø17/5-4mm x8 |
|--|--|--|---|--|--|--|

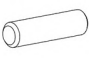





M4

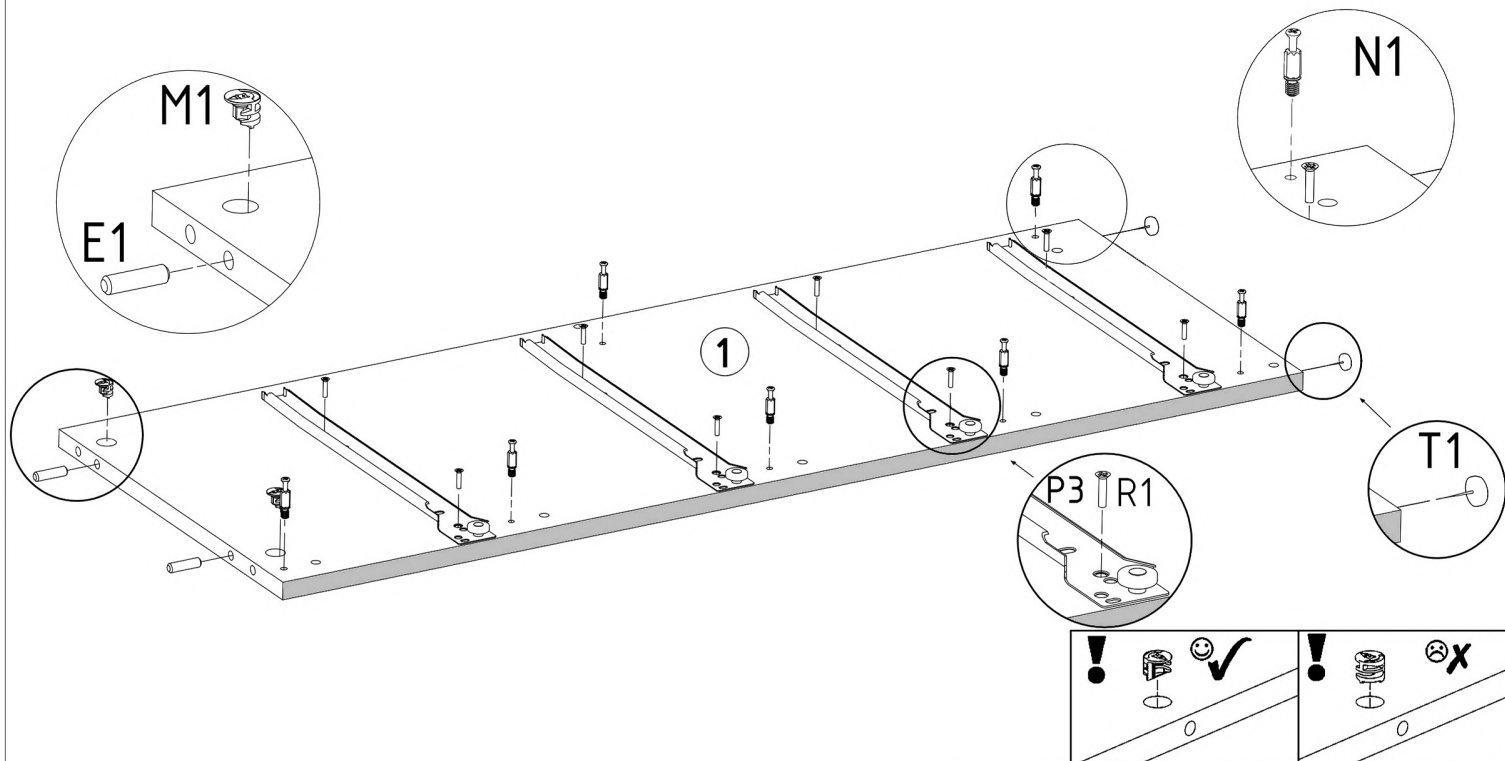
PRODUCTION DATE

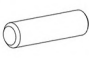





PACKING CODE

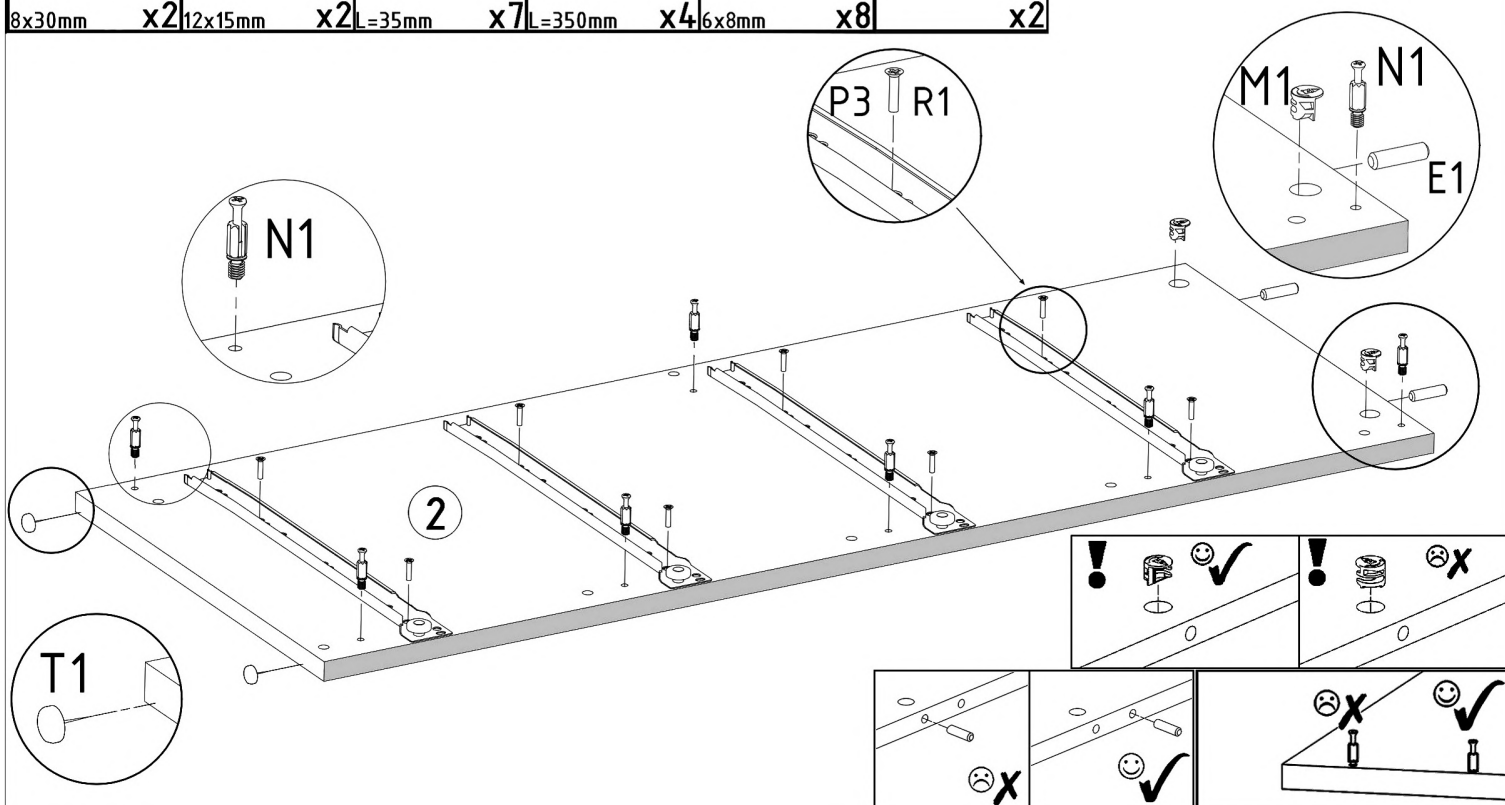


|        |        |          |
|--------|--------|----------|
| 000137 | 9      | 4        |
| 000151 | 8      | 4        |
| 000132 | 7      | 4        |
| 000053 | 6      | 8        |
| 000371 | 5      | 2        |
| 000156 | 4      | 1        |
| 000145 | 3      | 7        |
| 000228 | 2      | 1        |
| 000227 | 1      | 1        |
| ID     | NUMBER | QUANTITY |

|   |  |  |  |  |   |
|---|--|--|--|--|---|
| <b>E1</b><br> | <b>M1</b><br> | <b>N1</b><br> | <b>P3</b><br> | <b>R1</b><br> | <b>T1</b><br> |
| 8x30mm x2   | 12x15mm x2   | L=35mm x2  | L=350mm x7   | 6x8mm x4   | x8  |



|   |  |  |  |  |   |
|---|--|--|--|--|---|
| <b>E1</b><br> | <b>M1</b><br> | <b>N1</b><br> | <b>P3</b><br> | <b>R1</b><br> | <b>T1</b><br> |
| 8x30mm x2   | 12x15mm x2   | L=35mm x2  | L=350mm x7   | 6x8mm x4   | x8  |



M1



12x15mm

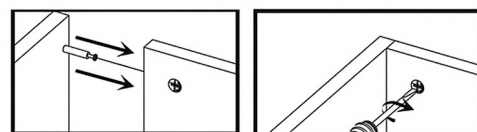
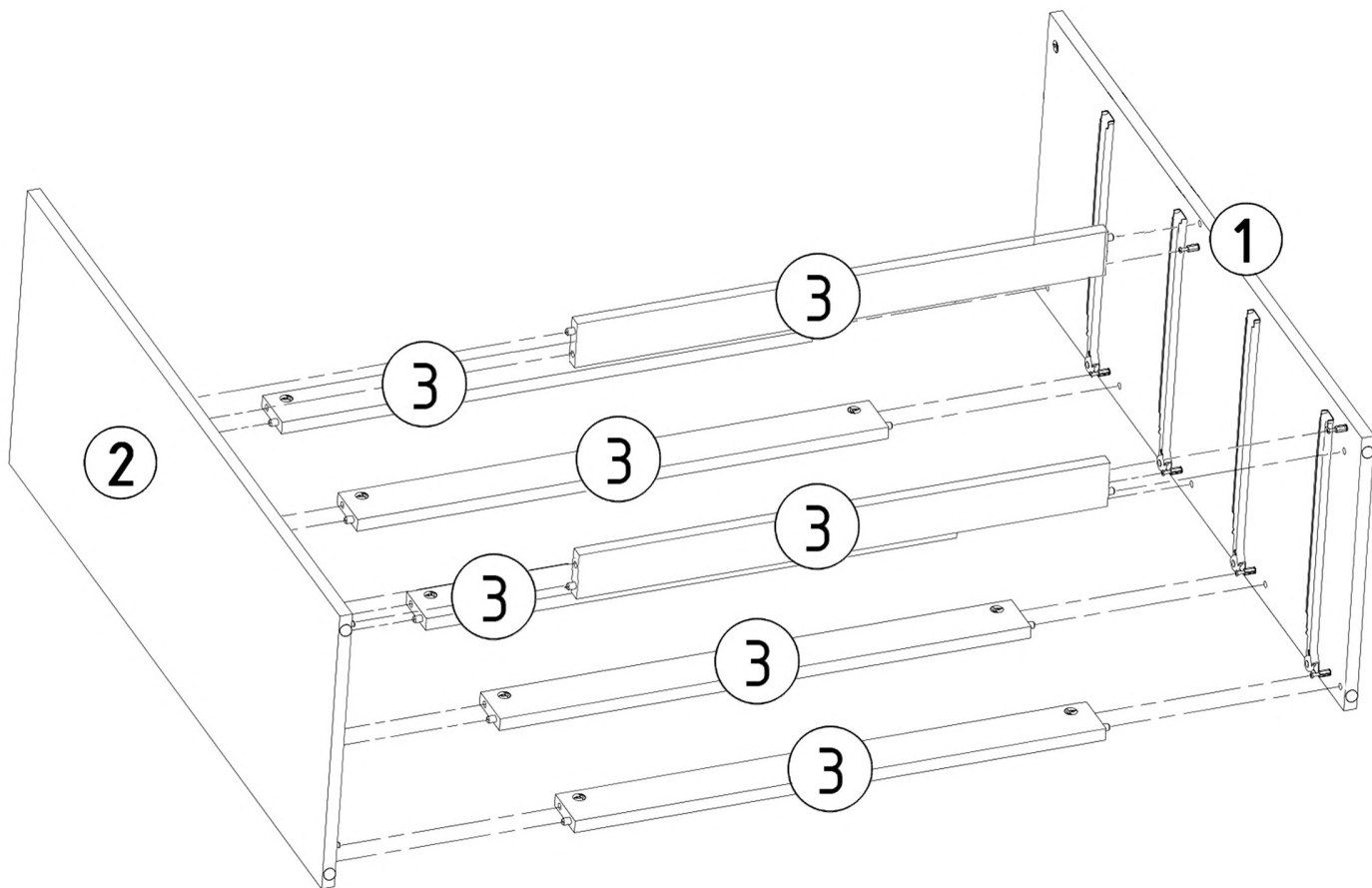
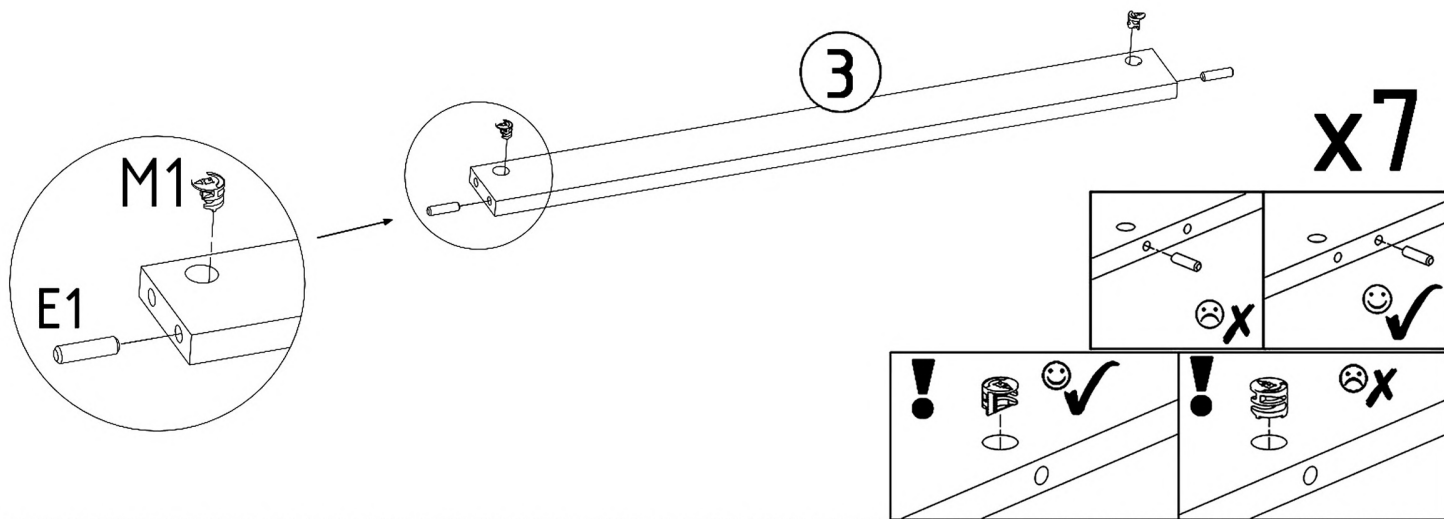
x14

E1

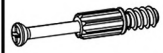


ø8x35mm

x14

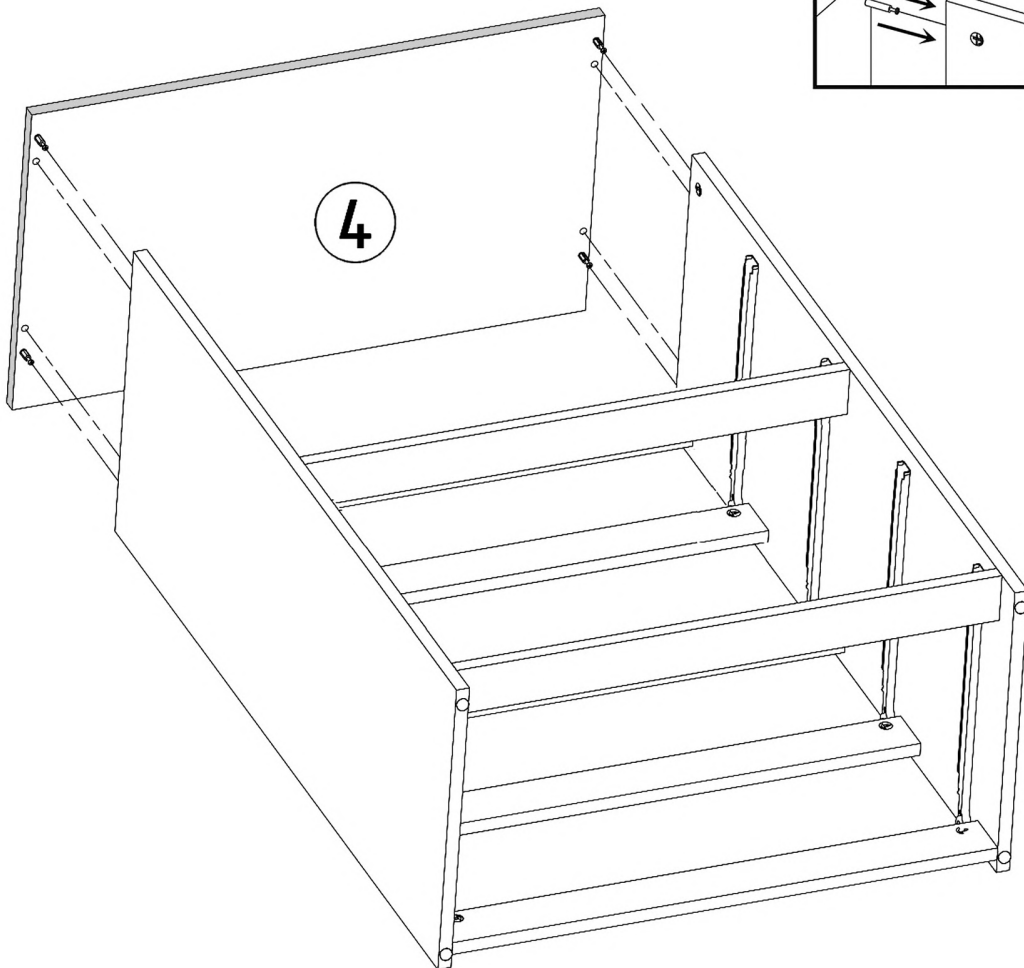
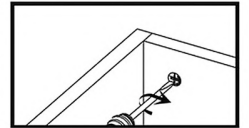
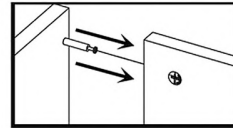
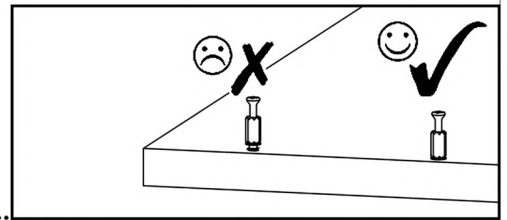
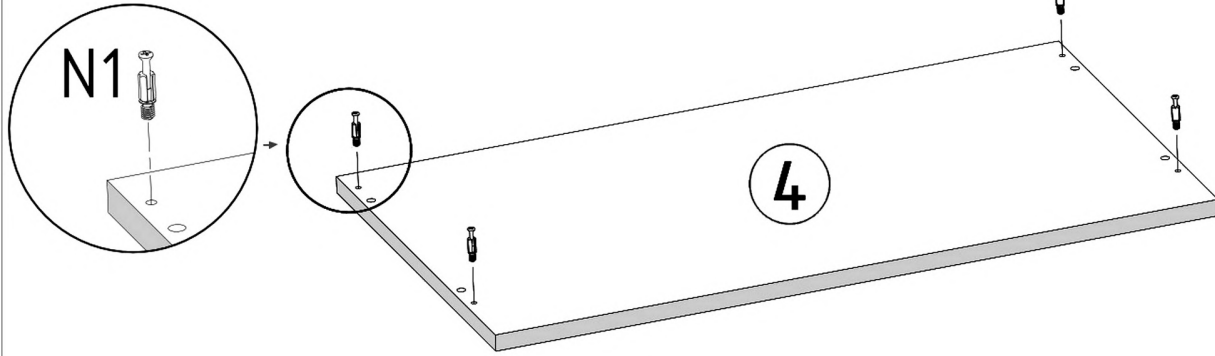


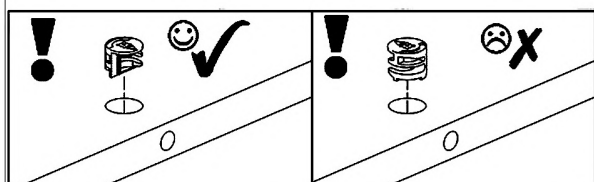
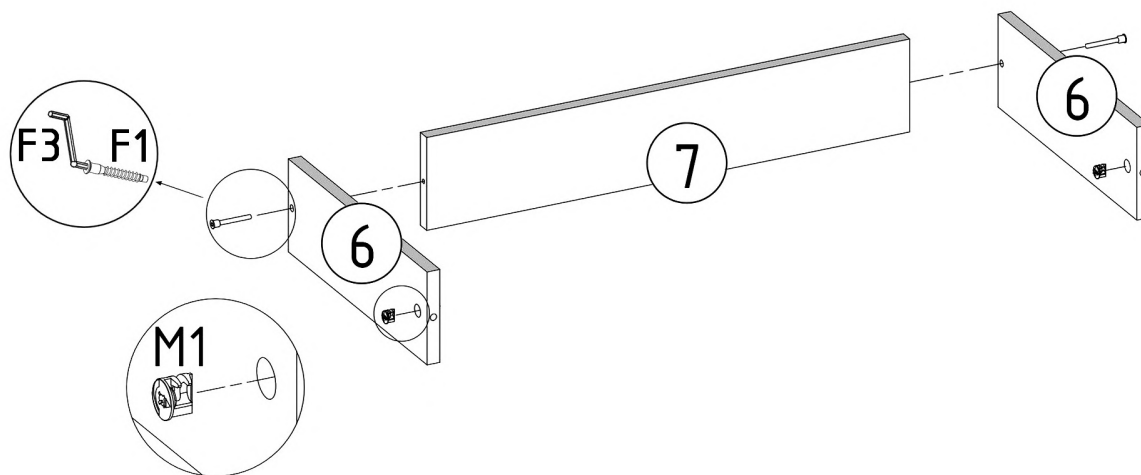
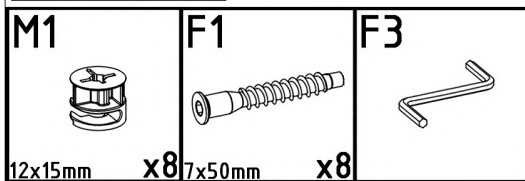
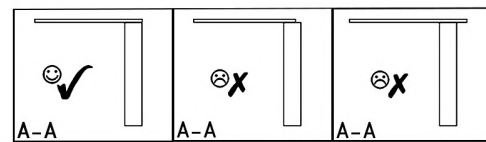
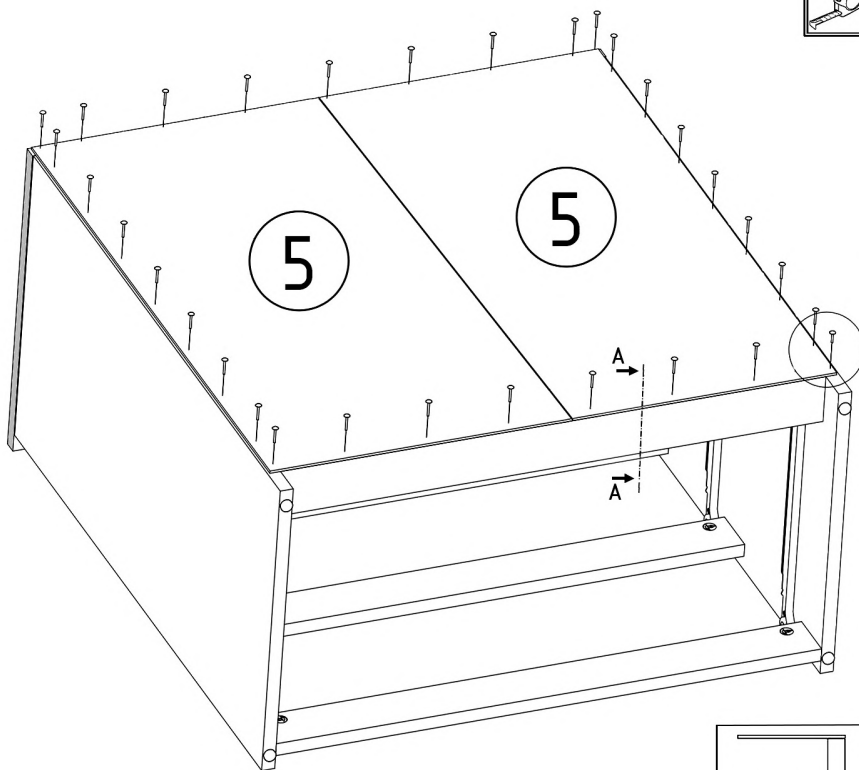
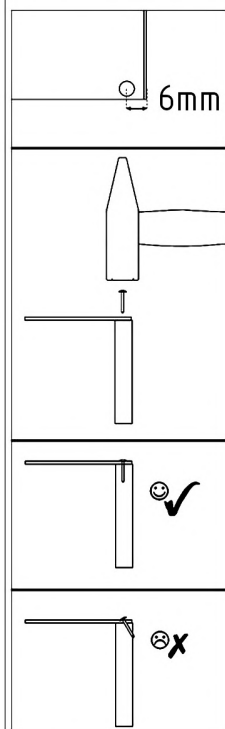
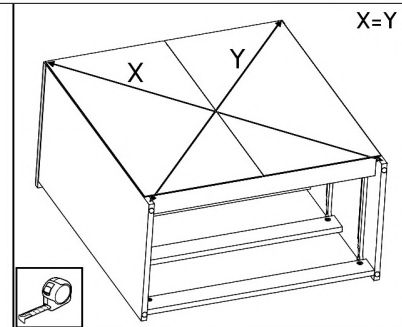
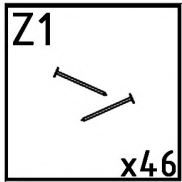
N1



L=35mm

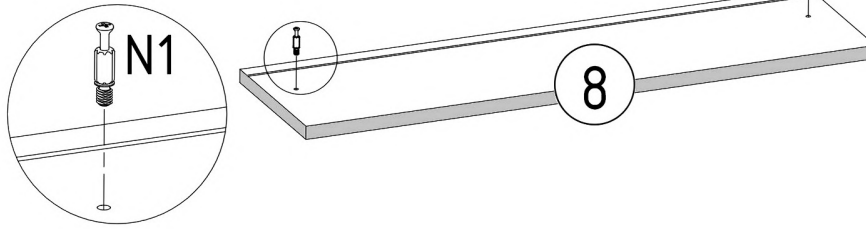
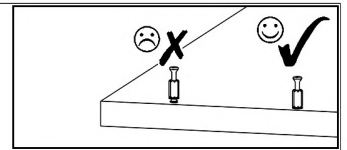
x4






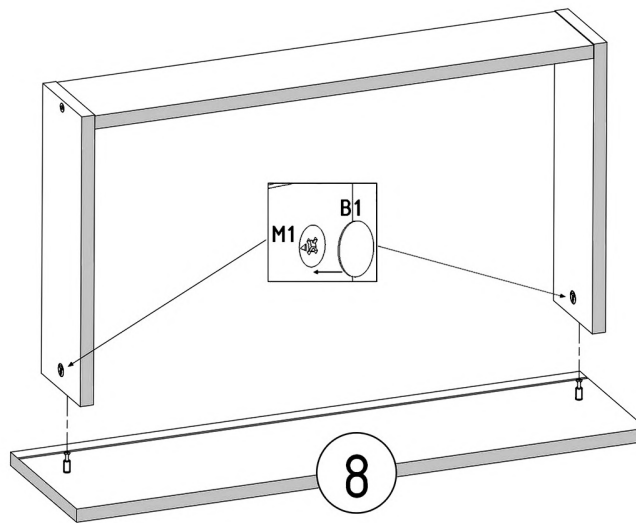
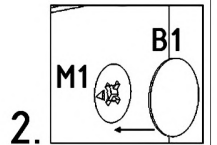
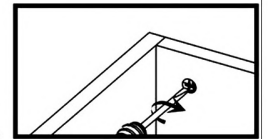
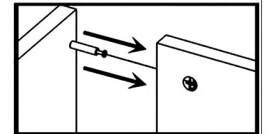
x4

**N1**  
  
 L=35mm **x8**




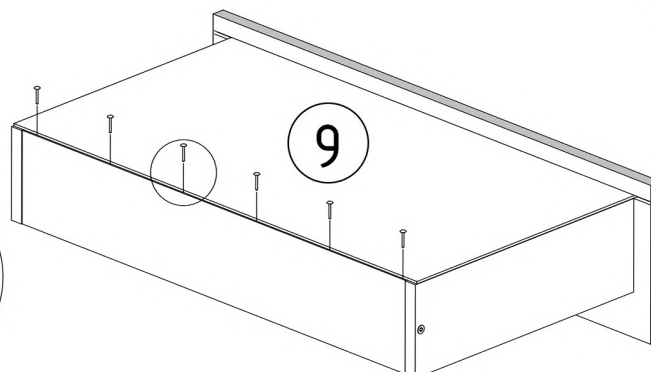
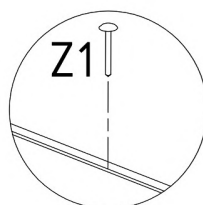
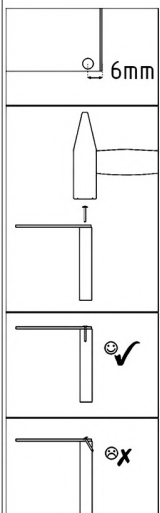
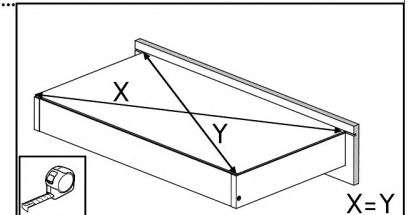
**x4**

**B1**  
  
 B  
 ø17/5-4mm **x8**



**x4**

**Z1**  
  
**x24**



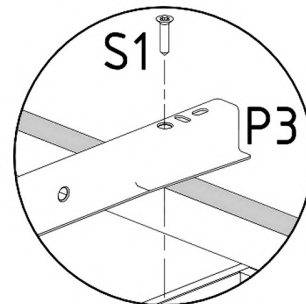
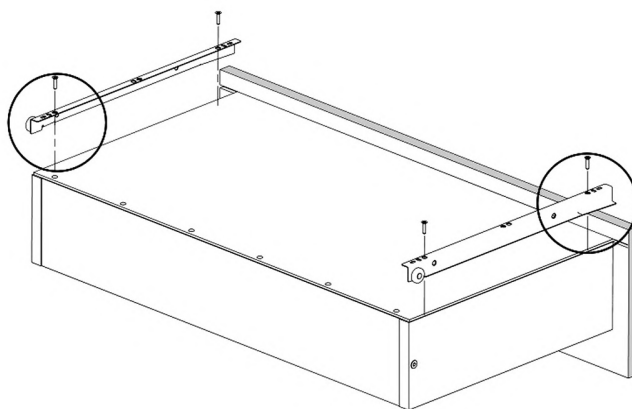
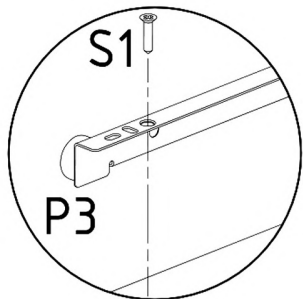
**x4**

P3

S1



L=350mm x4 3,5x16mm x16



x4

V13



x1

