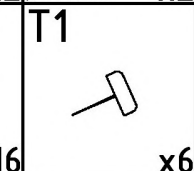
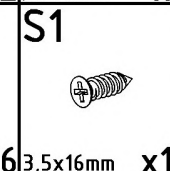
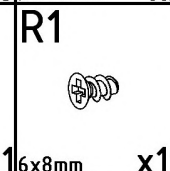
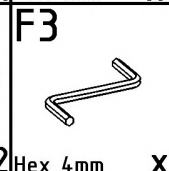
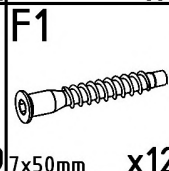
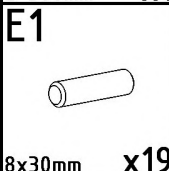
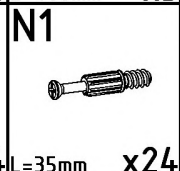
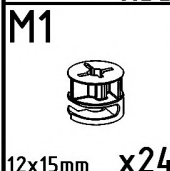
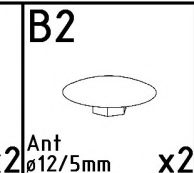
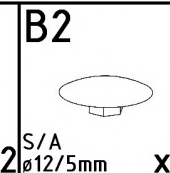
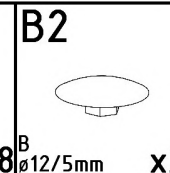
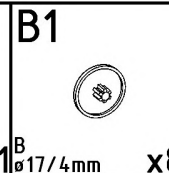
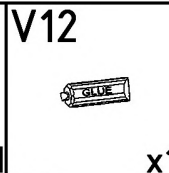
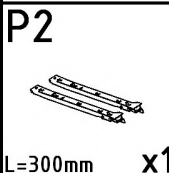
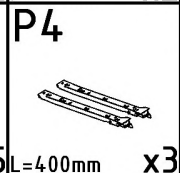
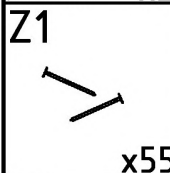
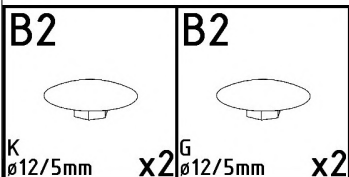
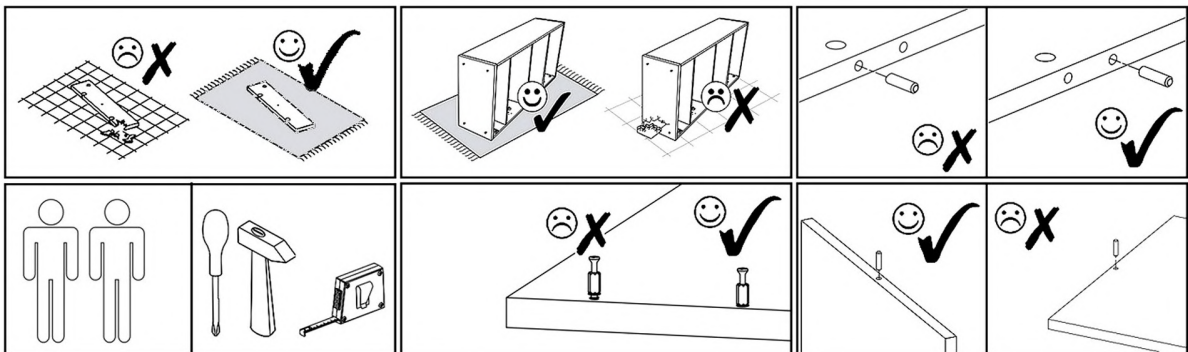
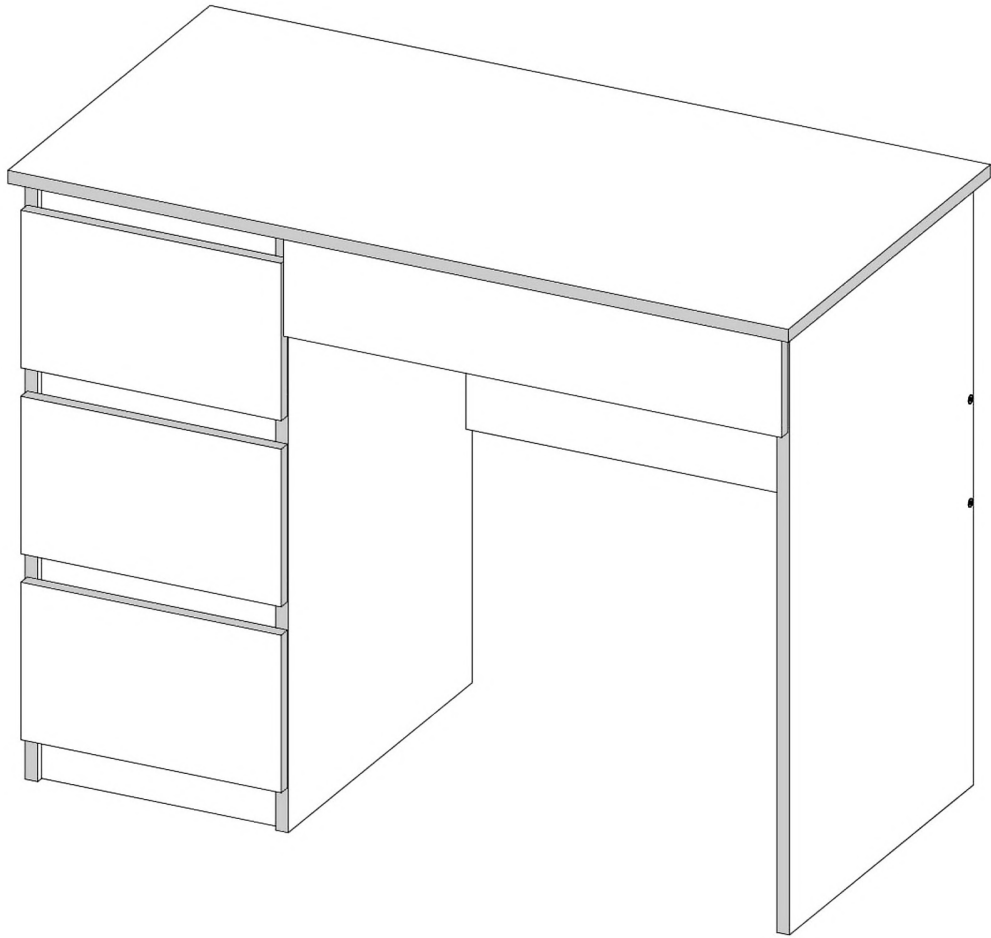


MIJAS L

PRODUCTION DATE

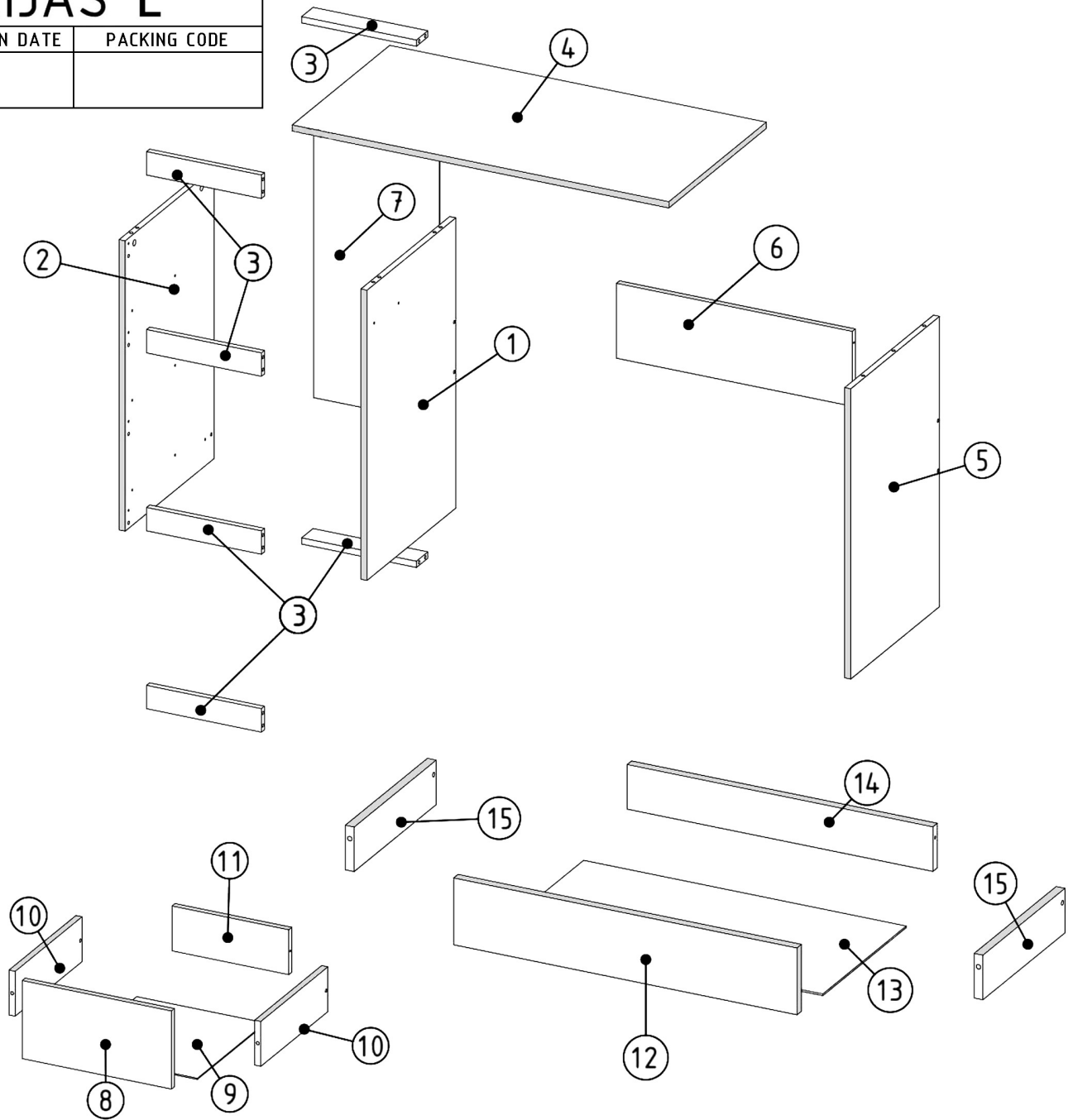
PACKING CODE





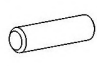

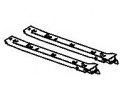

MIJAS L

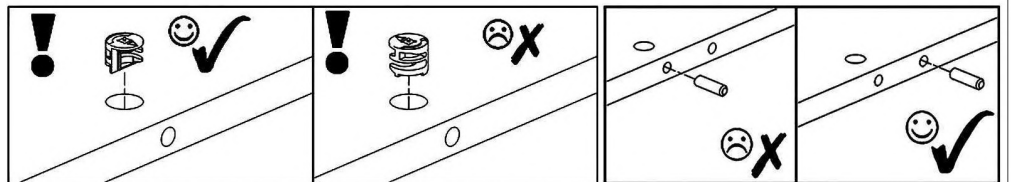
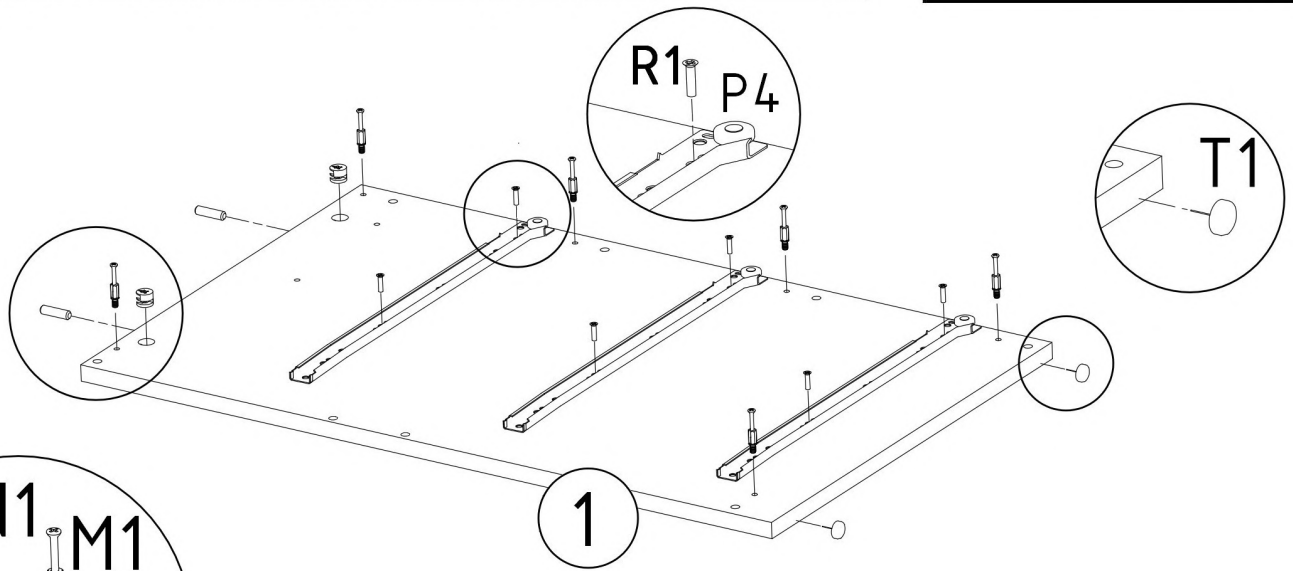
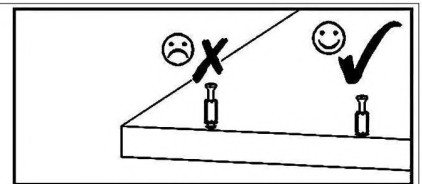
PRODUCTION DATE



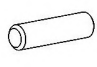

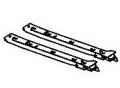

PACKING CODE

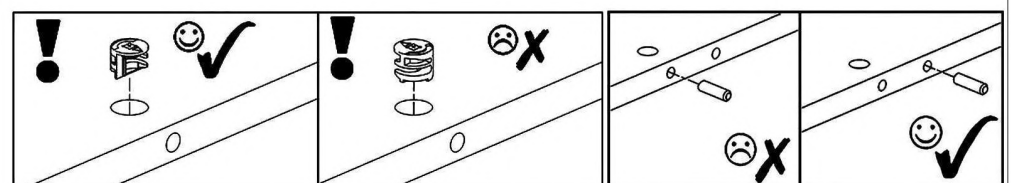
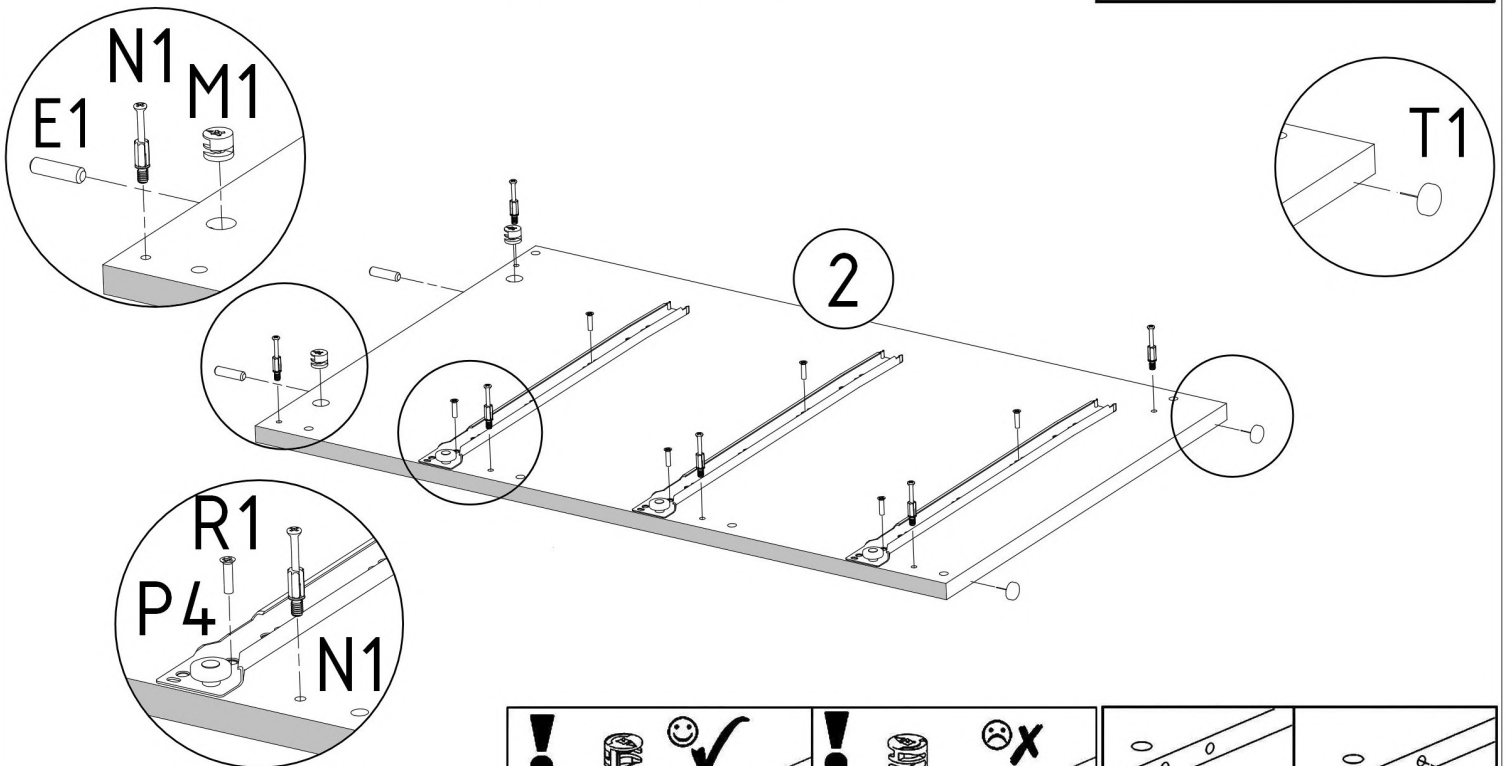
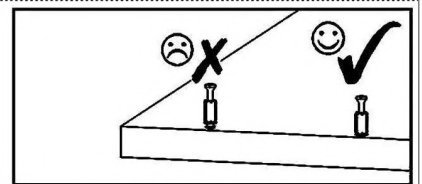




000032	15	2
000107	14	1
000034	13	1
000423	12	1
000007	11	3
000083	10	6
000021	9	3
000044	8	3
000147	7	1
000133	6	1
000426	5	1
000424	4	1
000030	3	6
000425	2	1
000427	1	1
ID	NUMBER	QUANTITY

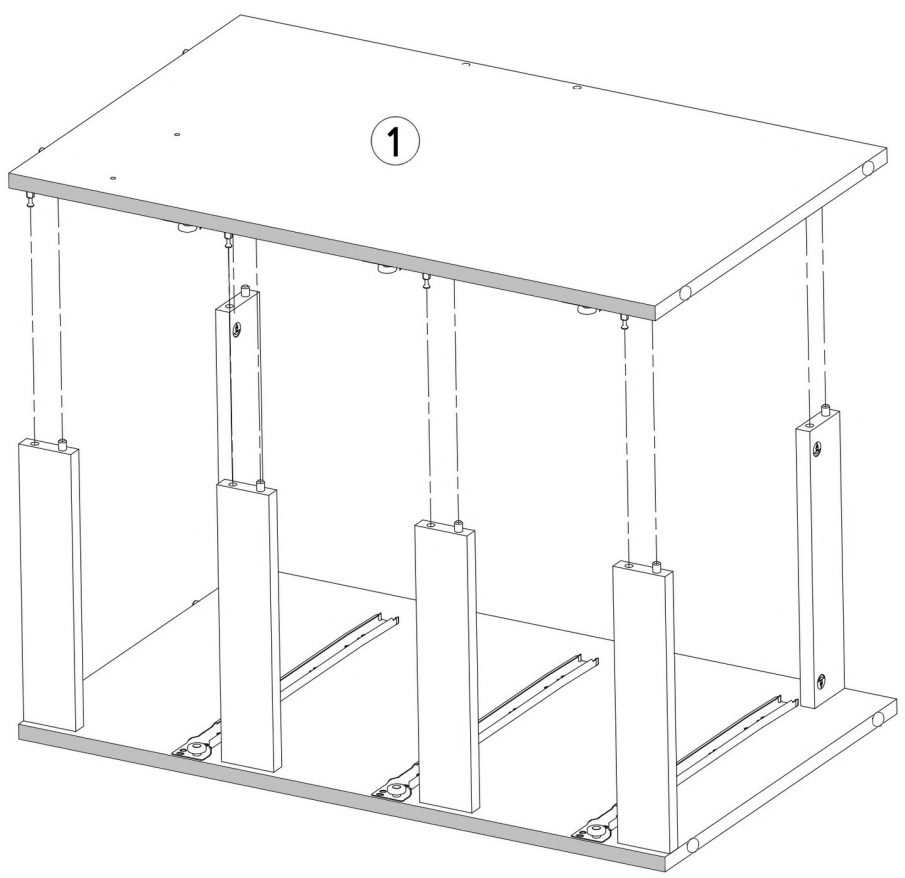
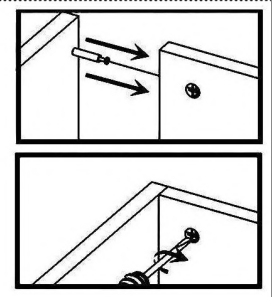
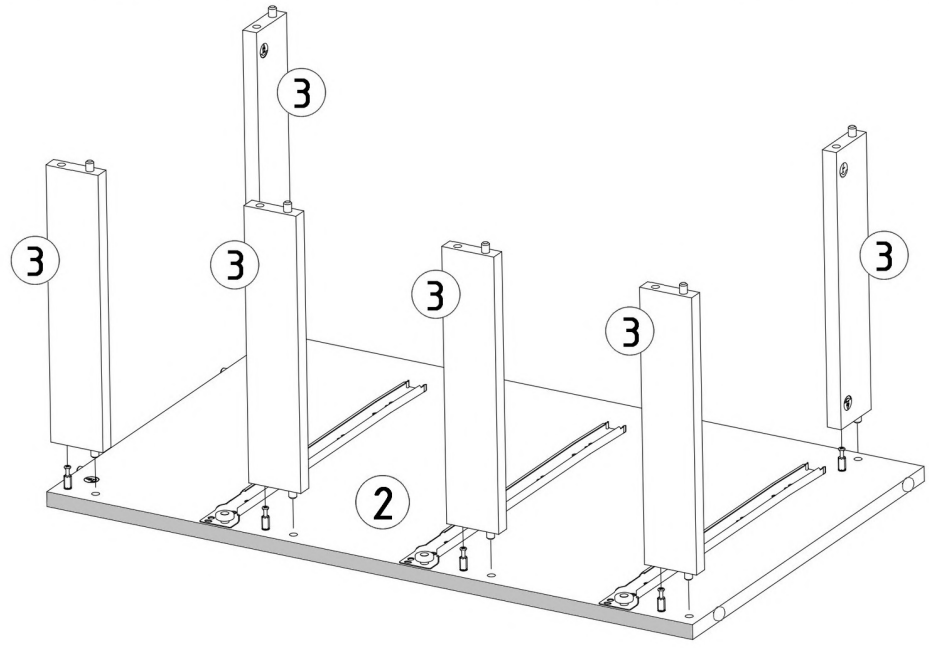
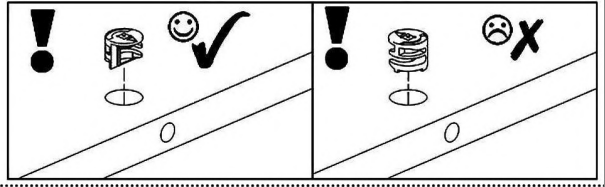
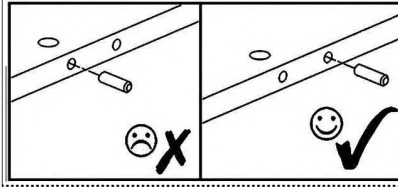
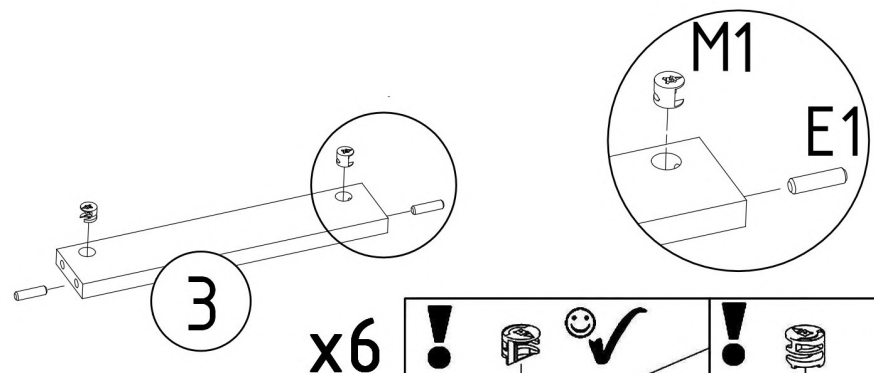
N1  L=35mm	M1  12x15mm	E1  8x30mm	R1  6x8mm	P4  L=400mm	T1  x3
x6	x2	x2	x6	x3	x2






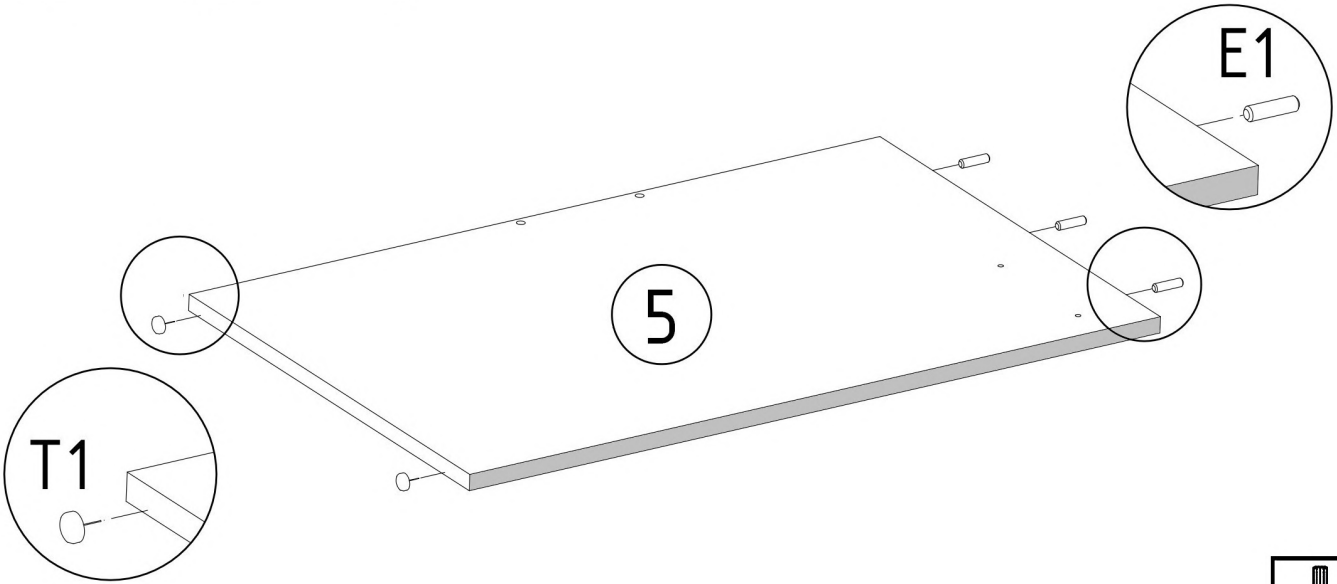
N1  L=35mm	M1  12x15mm	E1  8x30mm	R1  6x8mm	P4  L=400mm	T1  x3
x6	x2	x2	x6	x3	x2

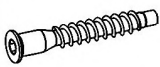
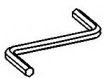


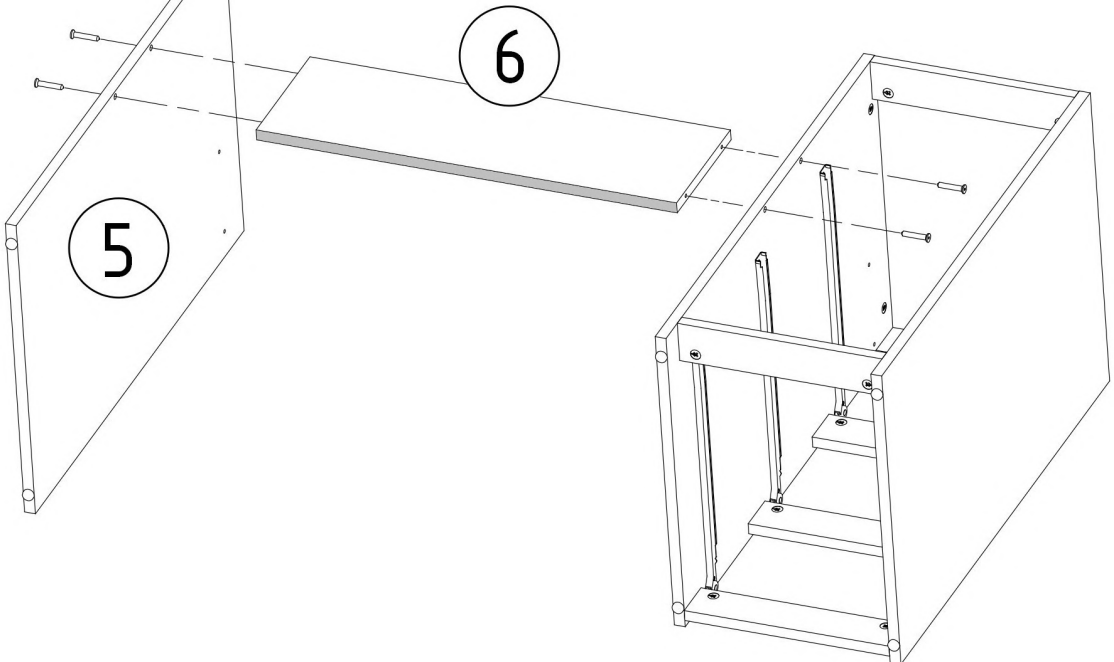
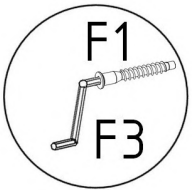
E1  8x30mm x12	M1  12x15mm x12
---	--



E1  8x30mm x3	T1  x2	V12  x2
--	--	---

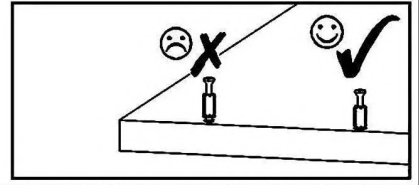
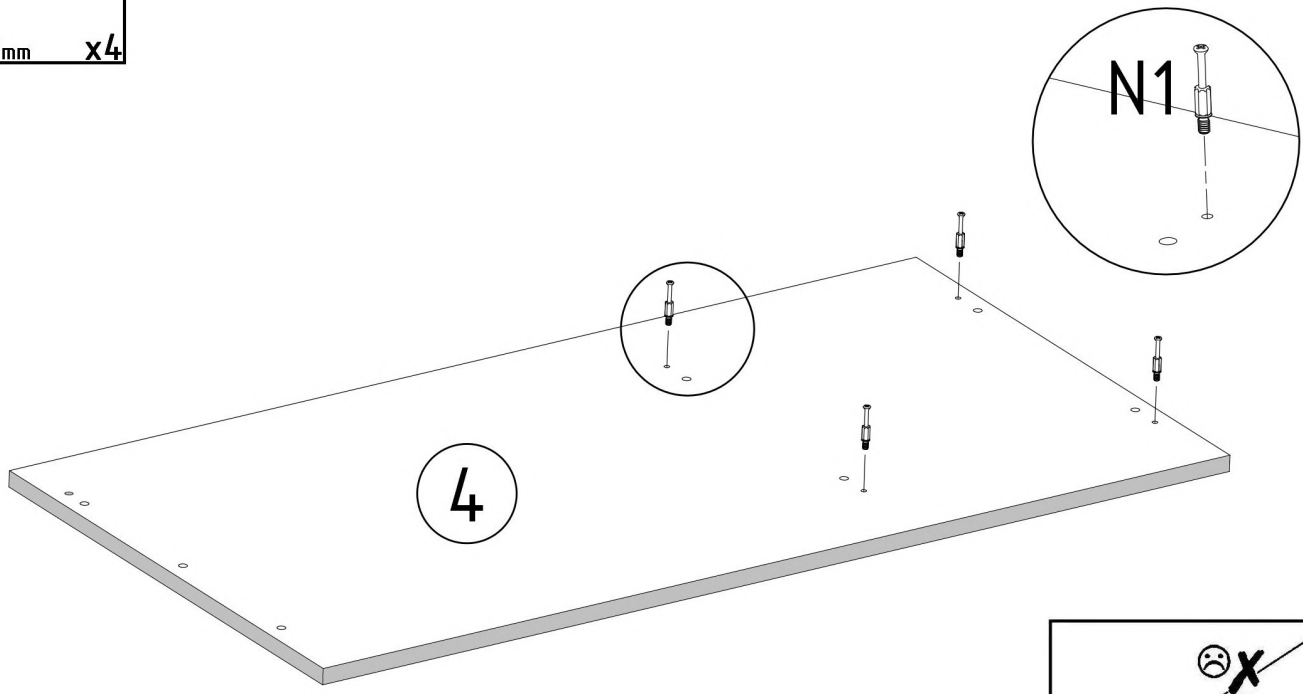


F1  7x50mm x4	F3  Hex 4mm
--	--

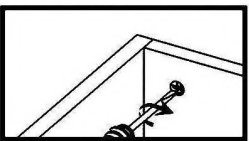
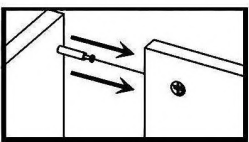
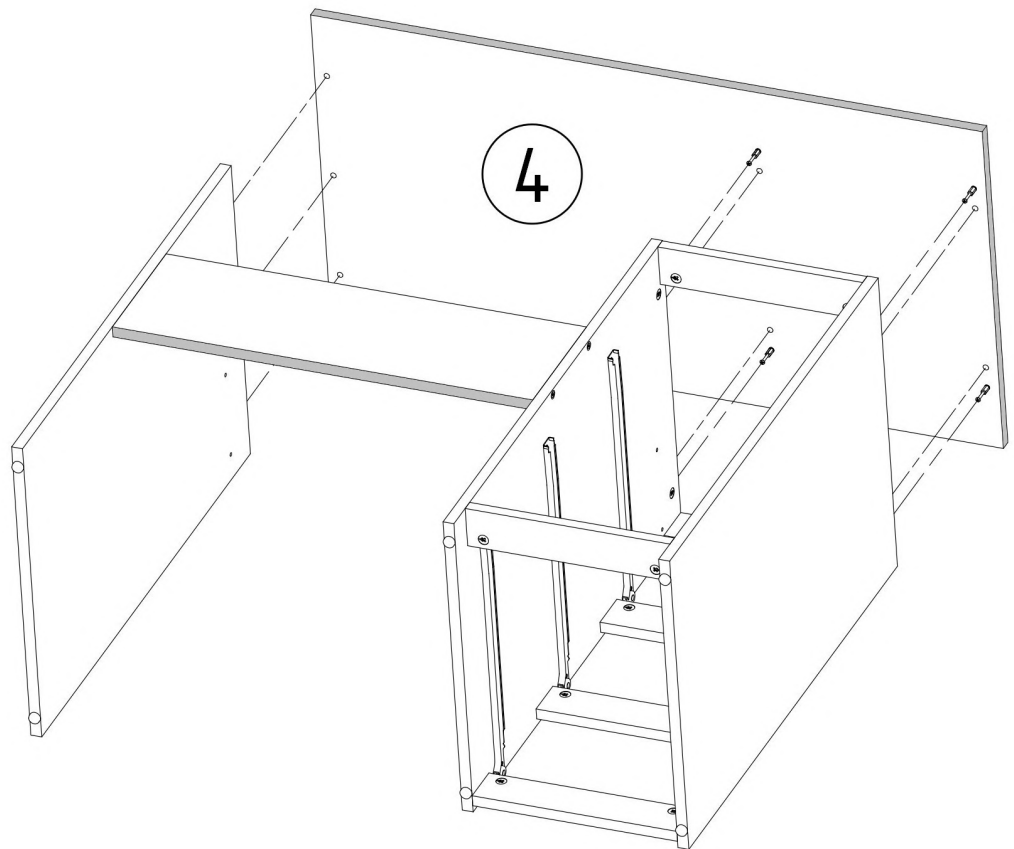


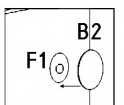
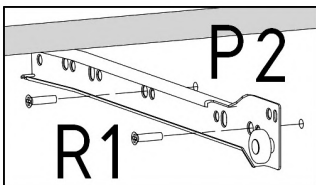
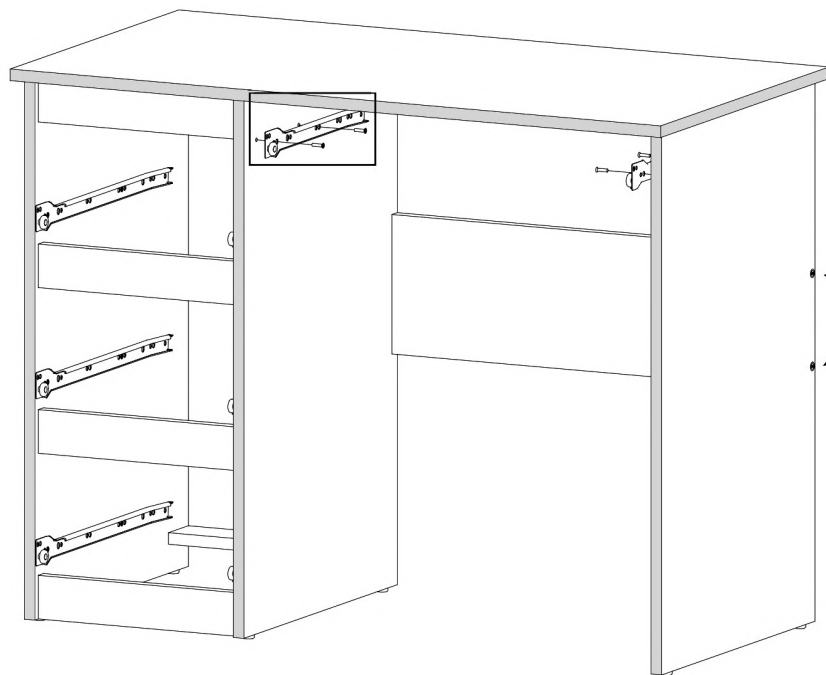
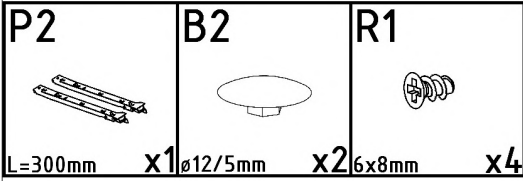
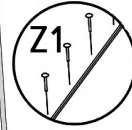
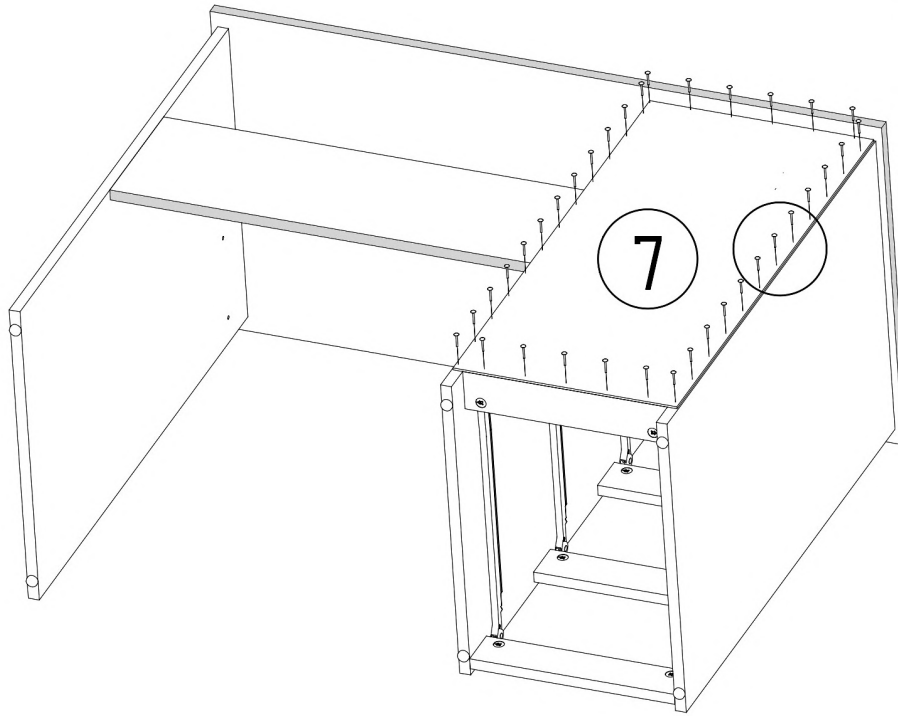
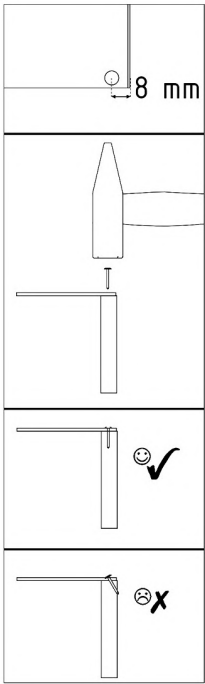
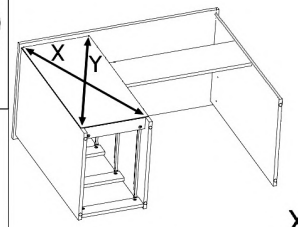
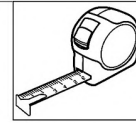
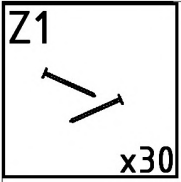
N1

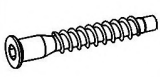
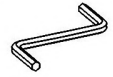

L=35mm X4

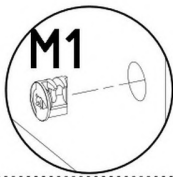
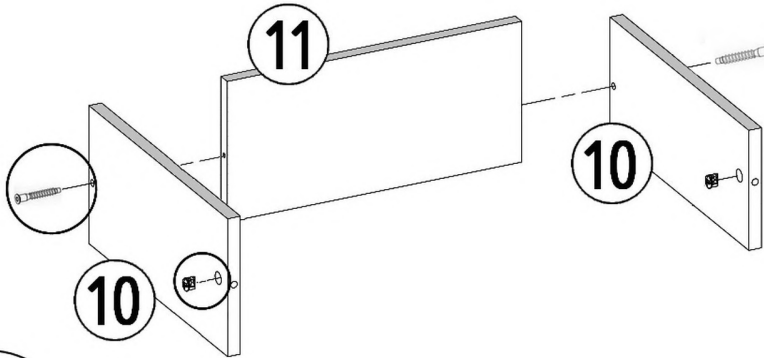
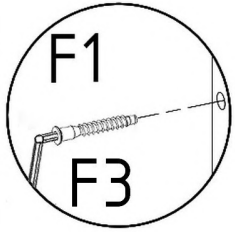
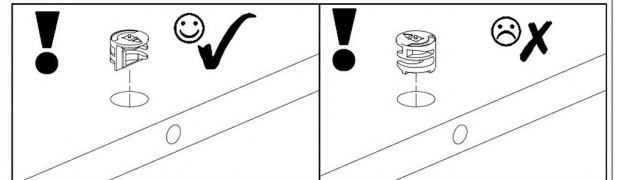


V12





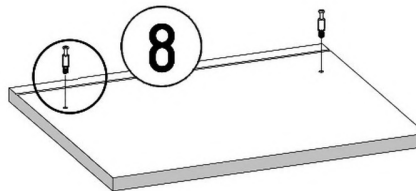
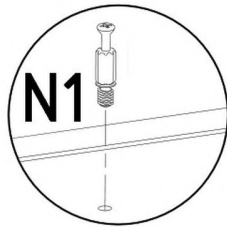
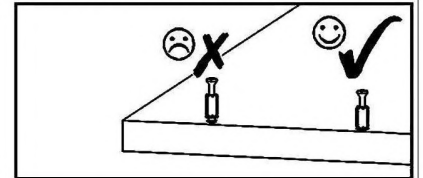


F1  7x50mm X6	F3  Hex 4mm X6	M1  12x15mm X6
---	---	---




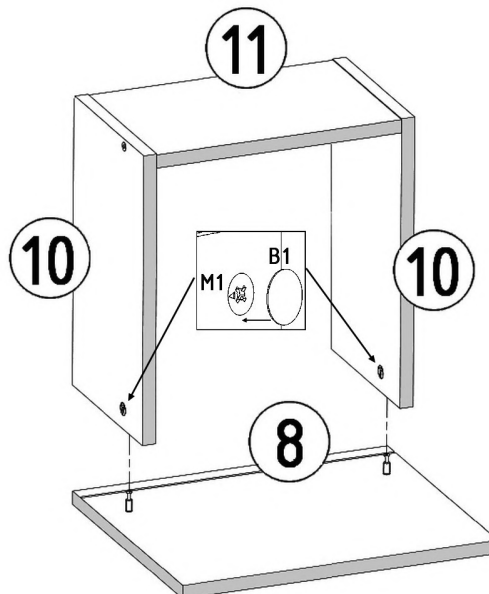
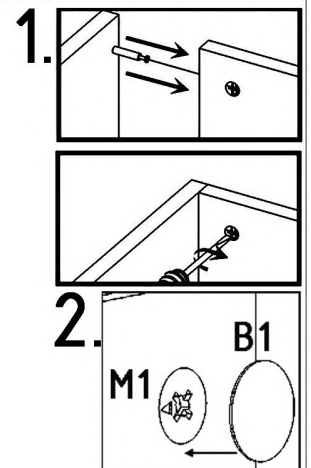
x3

N1  L=35mm X6
--

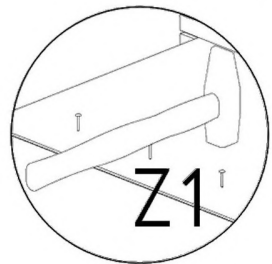
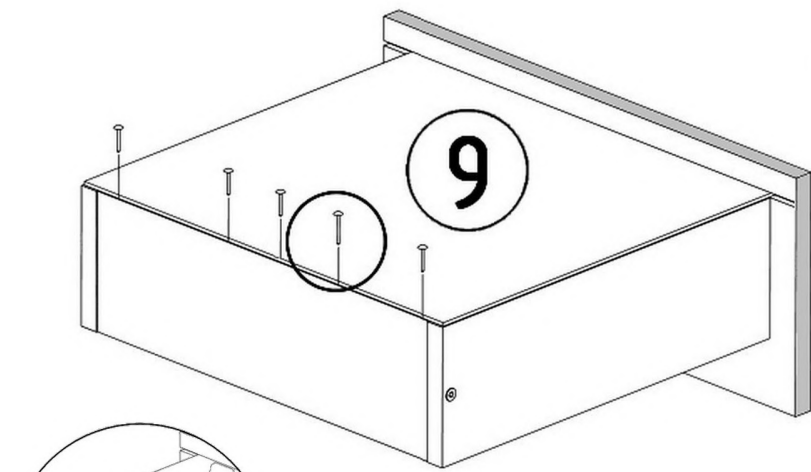
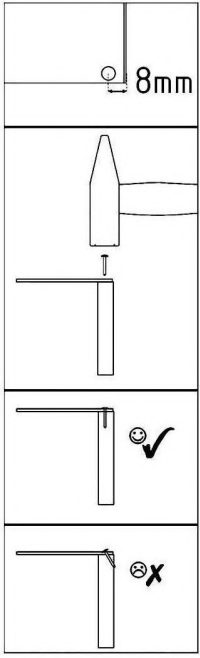
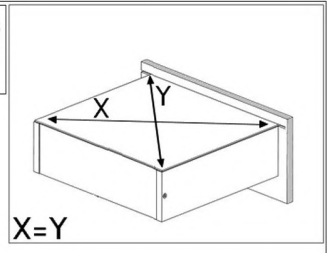
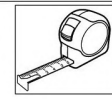
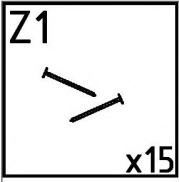


x3

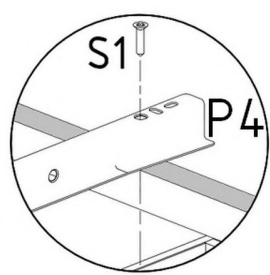
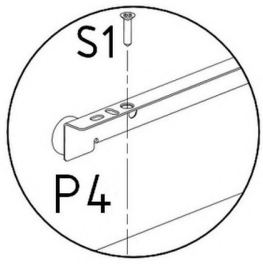
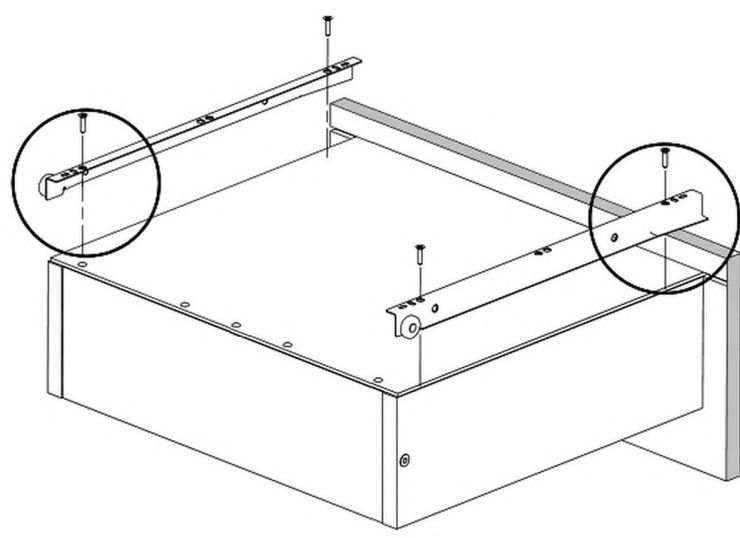
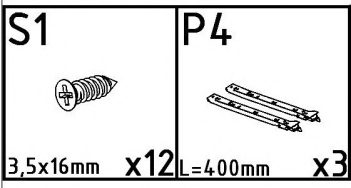
B1  ø17/4mm X6



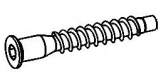
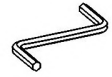

x3

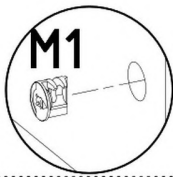
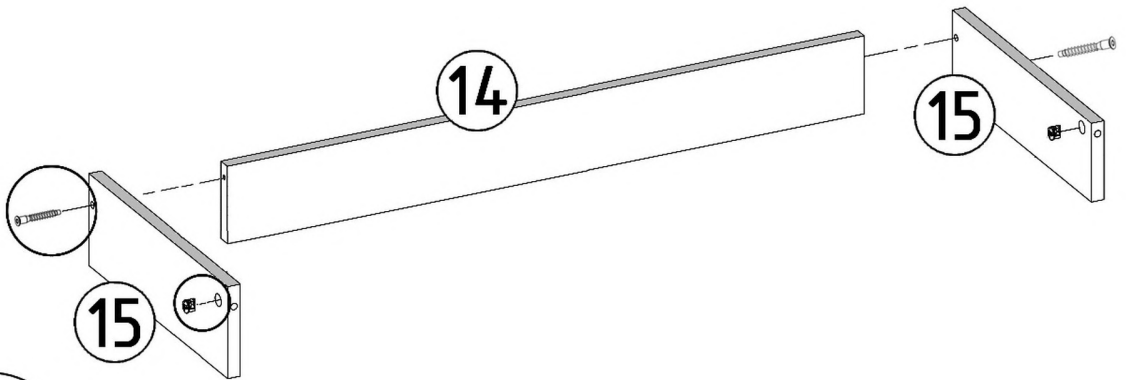
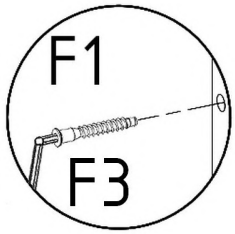
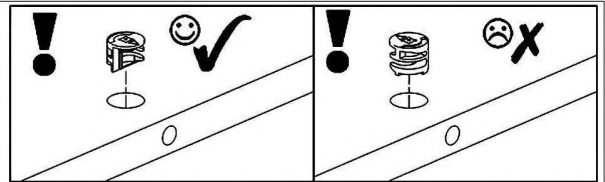



x3

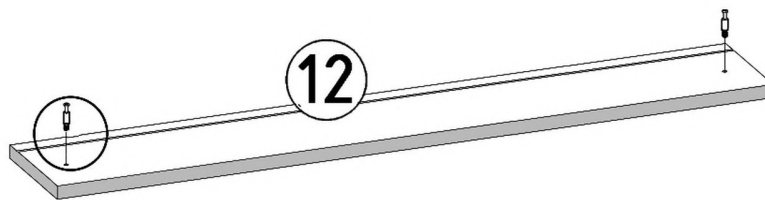
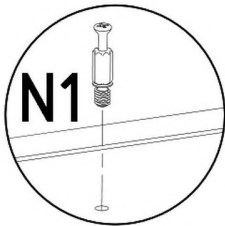
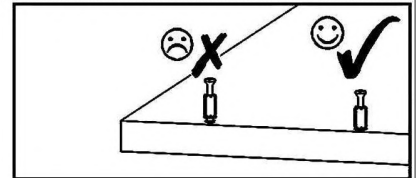



x3

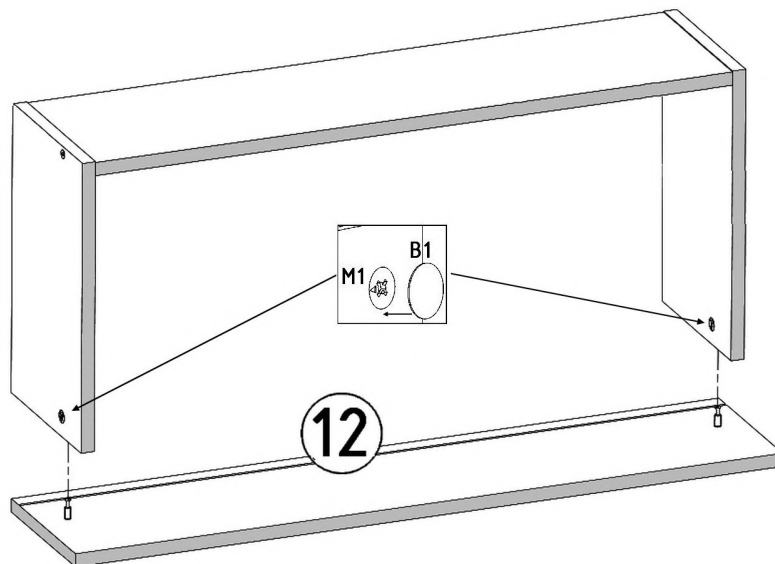
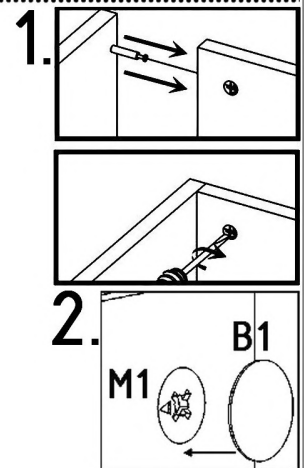
F1  7x50mm x2	F3  Hex 4mm	M1  12x15mm x2
---	--	---



N1  L=35mm x2
--

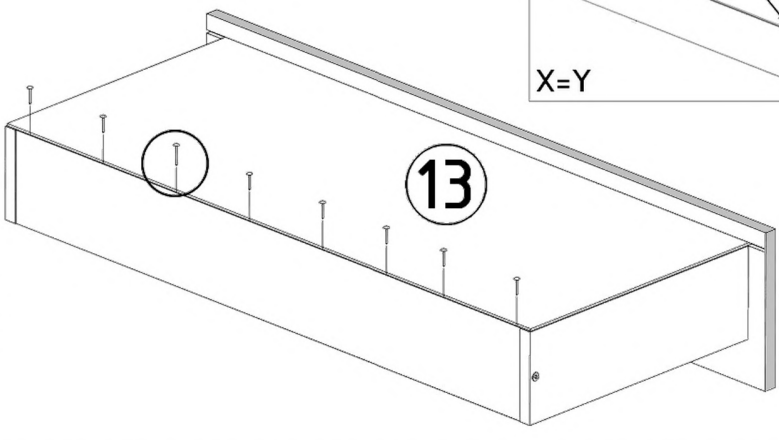
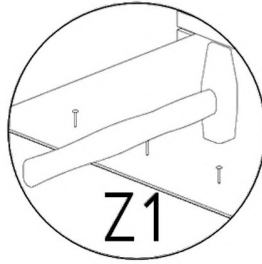
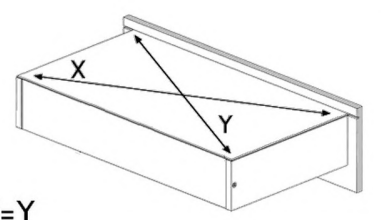
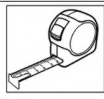


B1  ø17/4mm x2

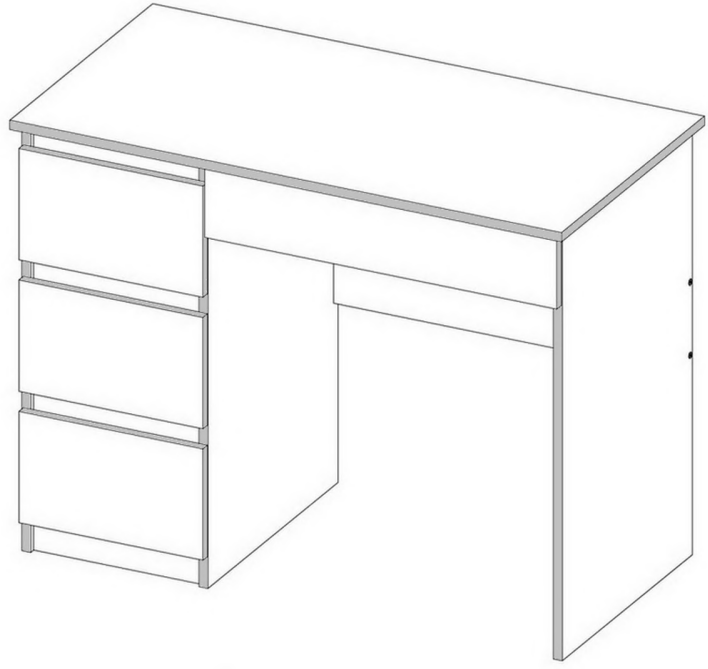
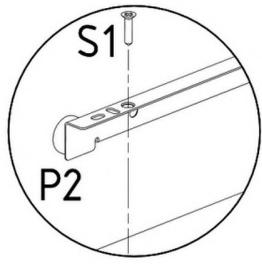
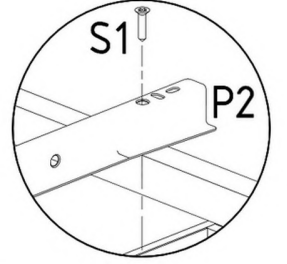
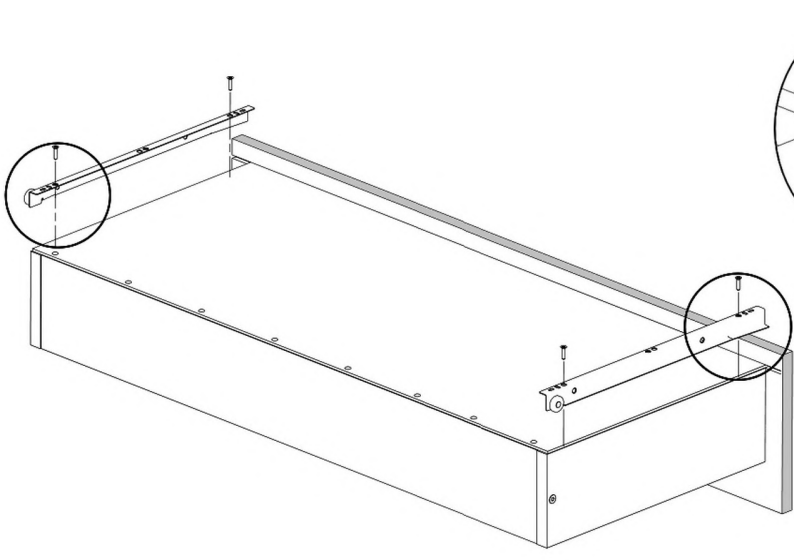


Z1
x10

8mm
✓
ex

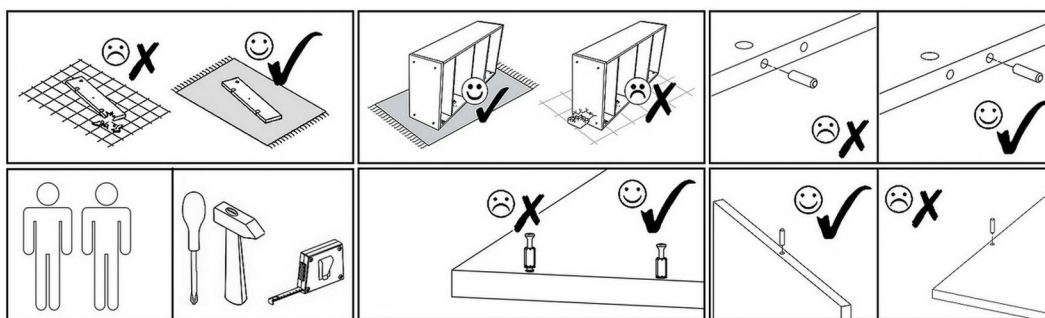
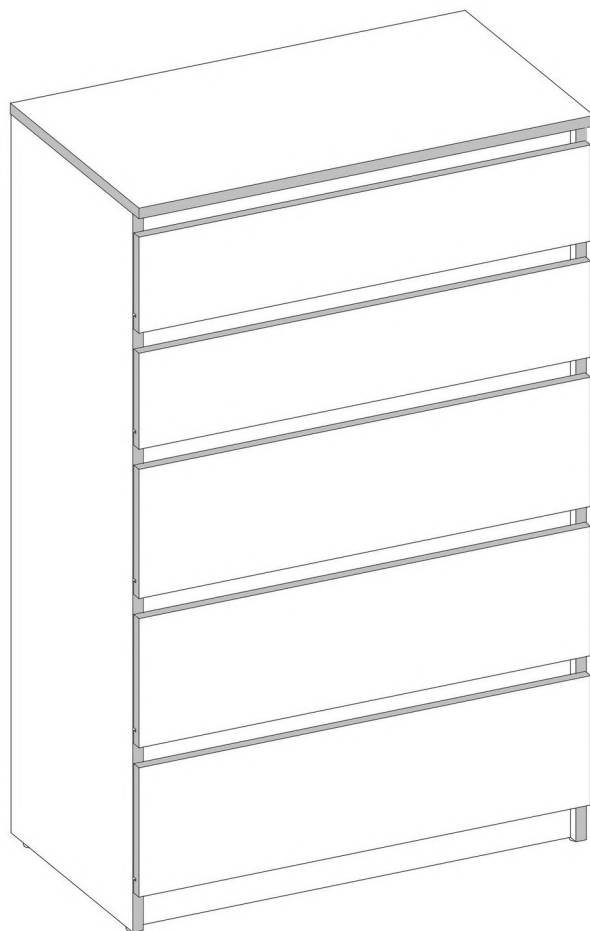













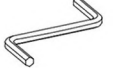
S1 3,5x16mm X4
P2 L=300mm X1

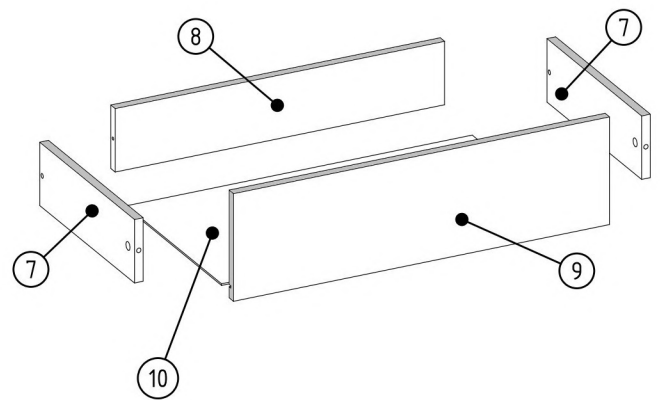
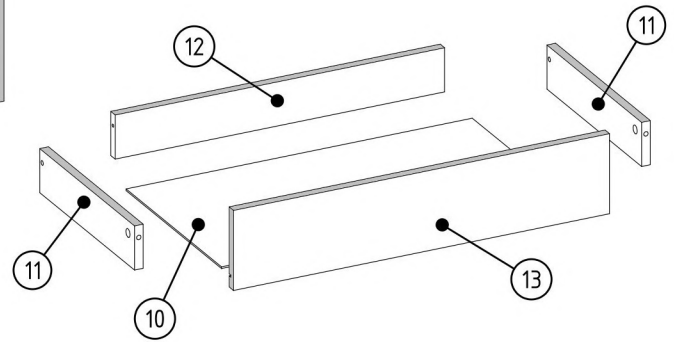
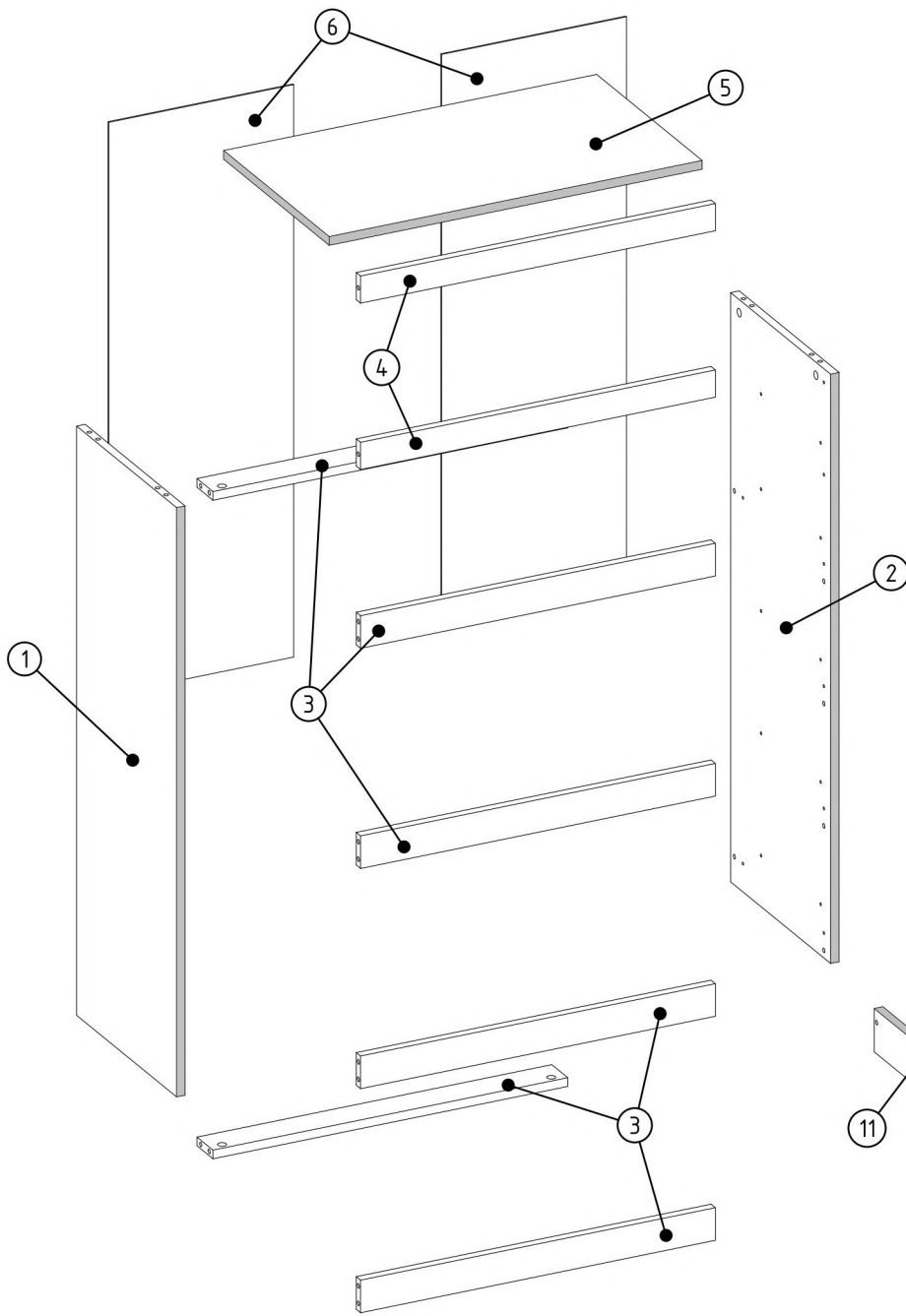


26/01/2023

M5

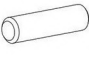




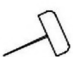


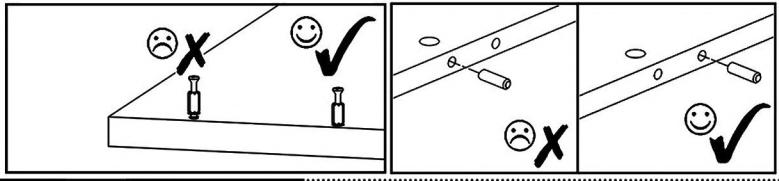
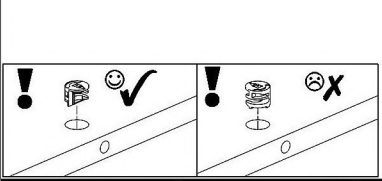
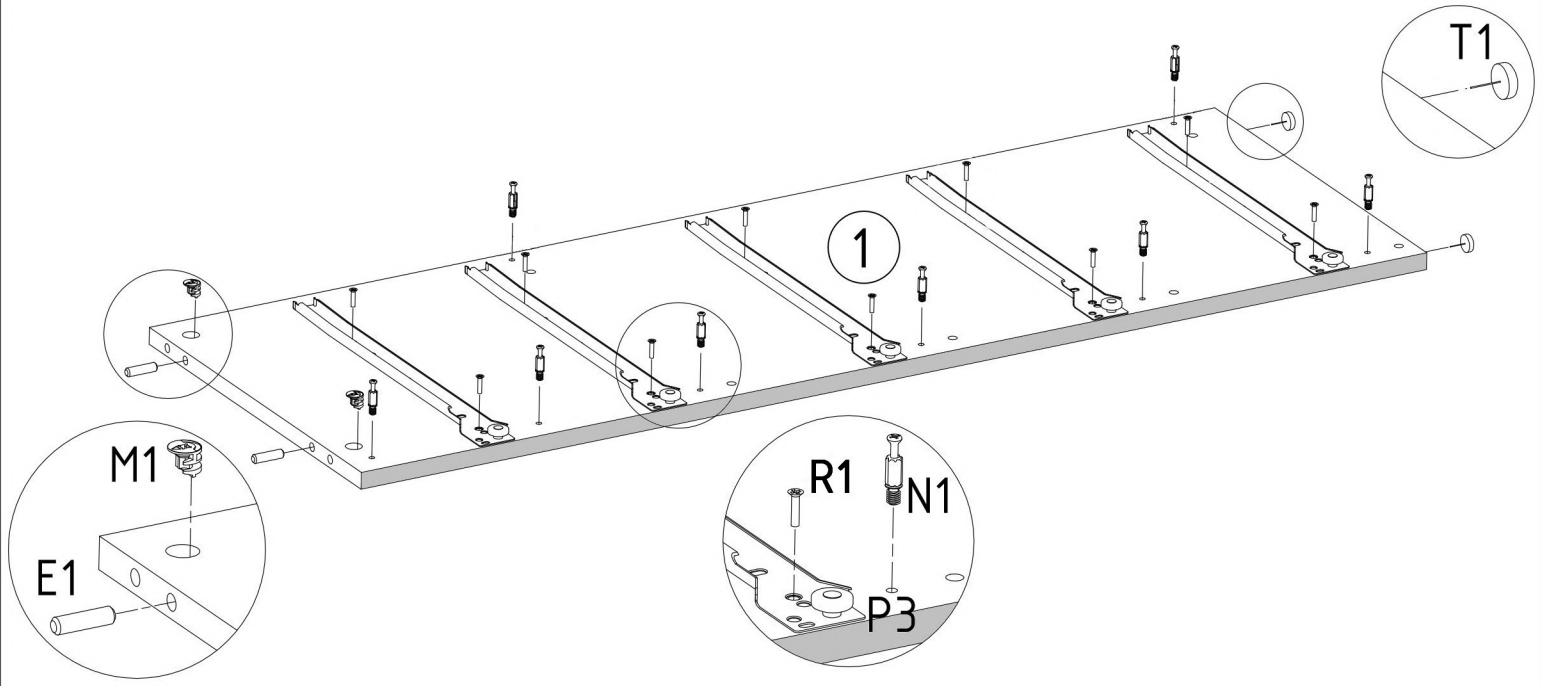
Z1  x90	S1  3,5x16mm x20	V13  x1	B1  B ø17/5-4mm x10				
E1  8x30mm x16	M1  12x15mm x30	N1  L=35mm x30	P3  L=350mm x5	R1  6x8mm x20	T1  x4	F1  7x50mm x10	F3  x1

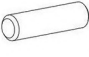







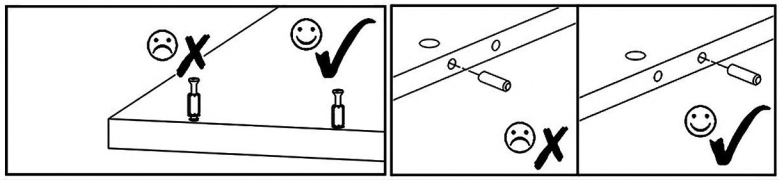
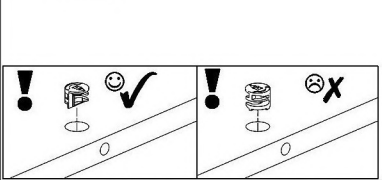
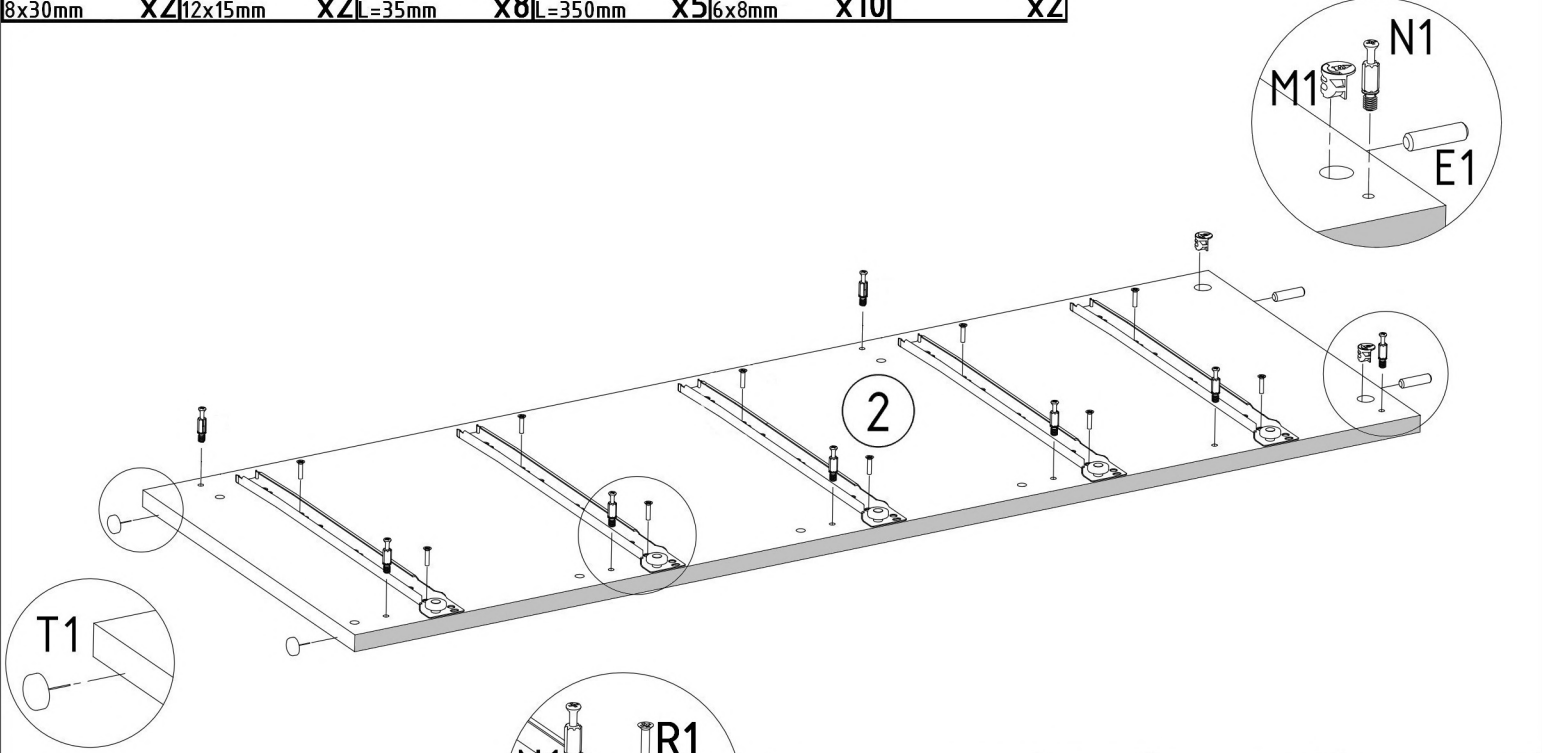
1	x	1
2	x	1
3	x	6
4	x	2
5	x	1
6	x	2
7	x	6
8	x	3



9	x	3
10	x	5
11	x	4
12	x	2
13	x	2

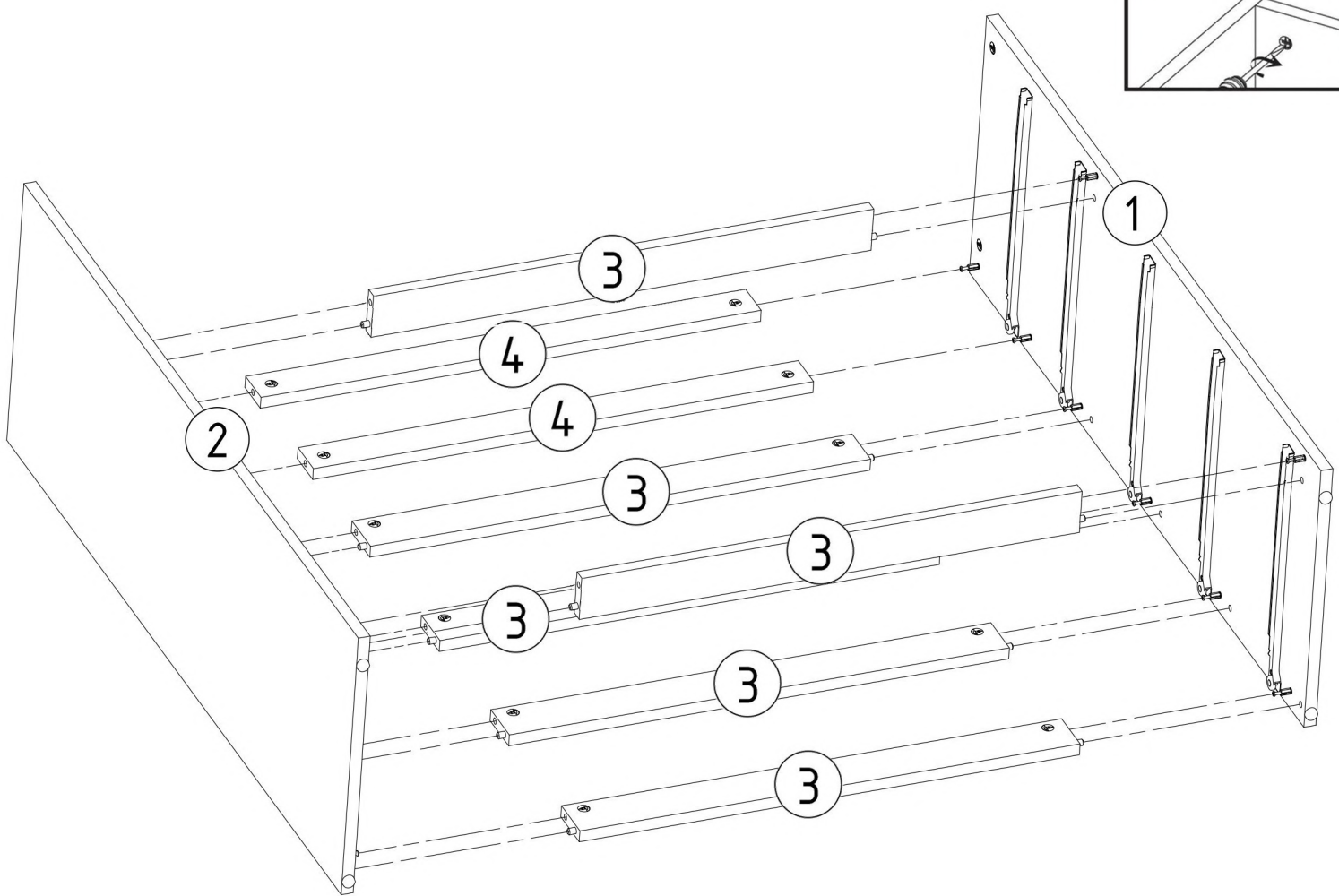
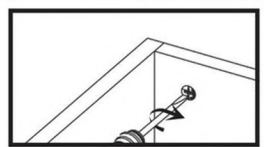
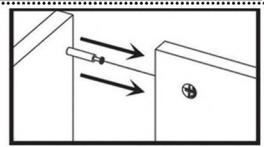
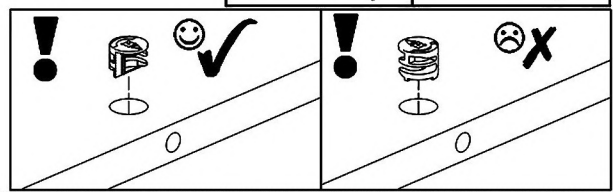
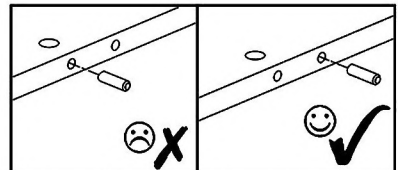
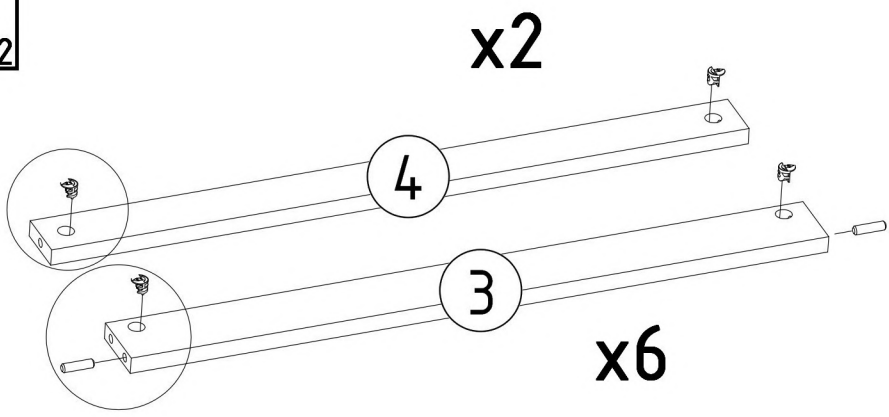
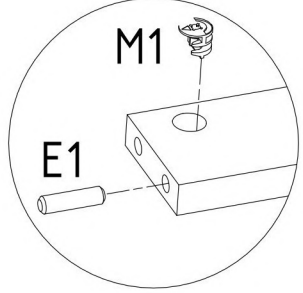
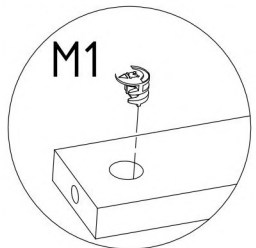
E1 	M1 	N1 	P3 	R1 	T1 					
8x30mm	x2	12x15mm	x2	L=35mm	x8	L=350mm	x5	6x8mm	x10	x2



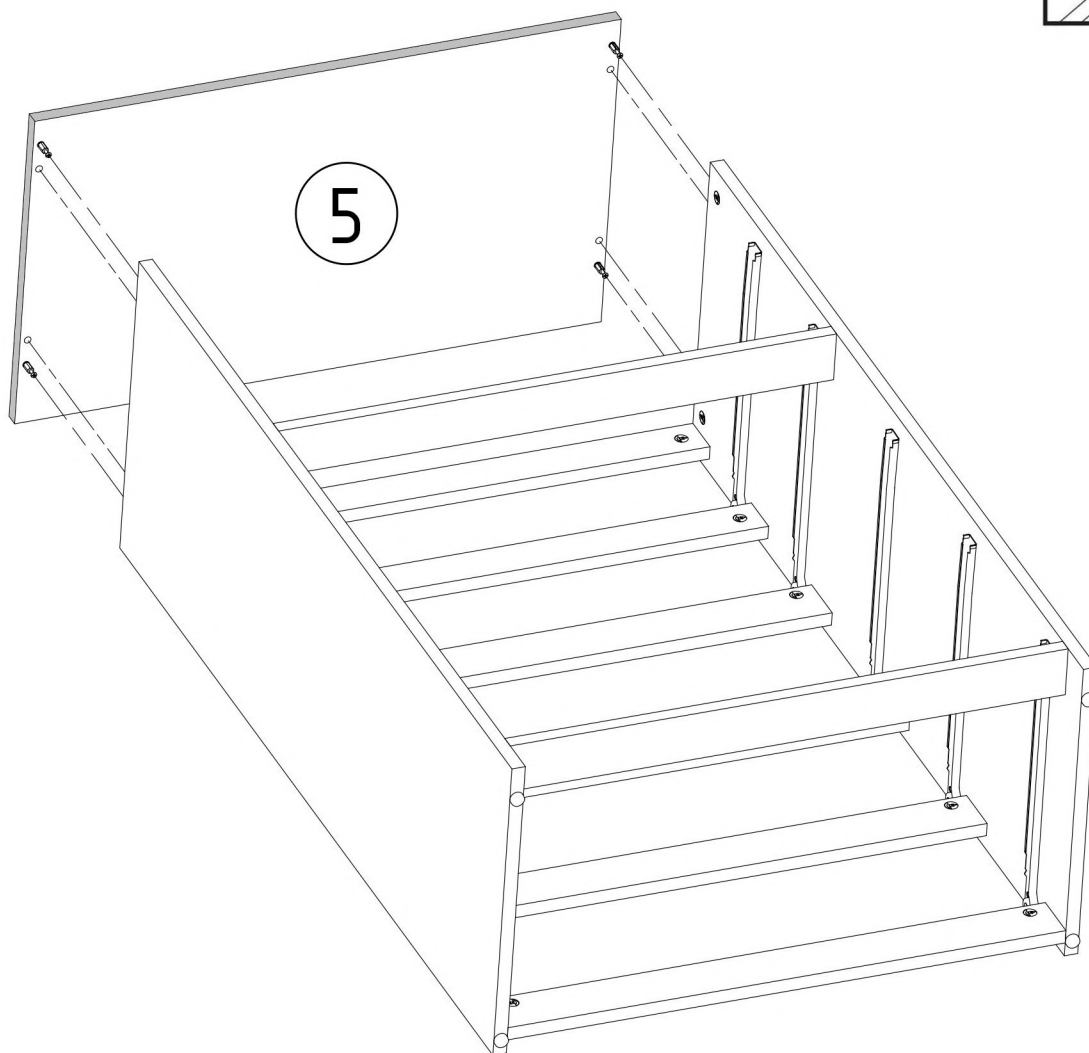
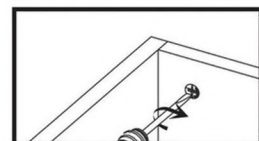
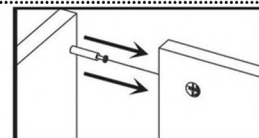
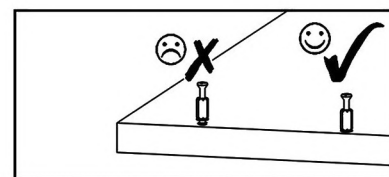
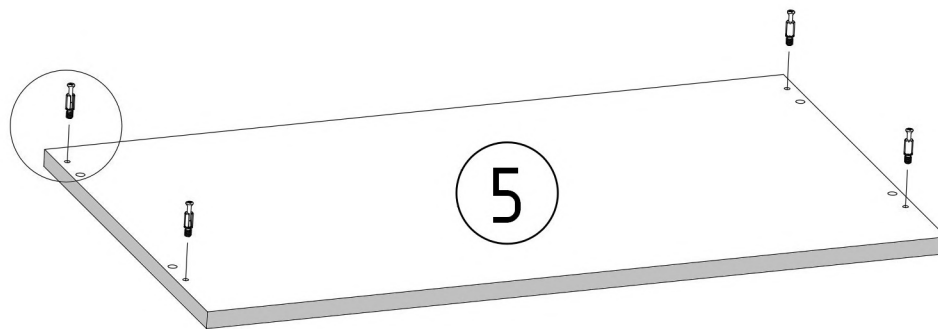
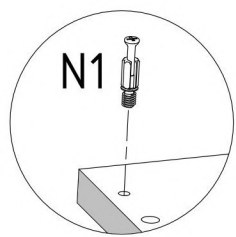
E1 	M1 	N1 	P3 	R1 	T1 					
8x30mm	x2	12x15mm	x2	L=35mm	x8	L=350mm	x5	6x8mm	x10	x2

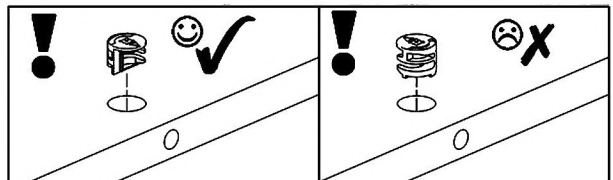
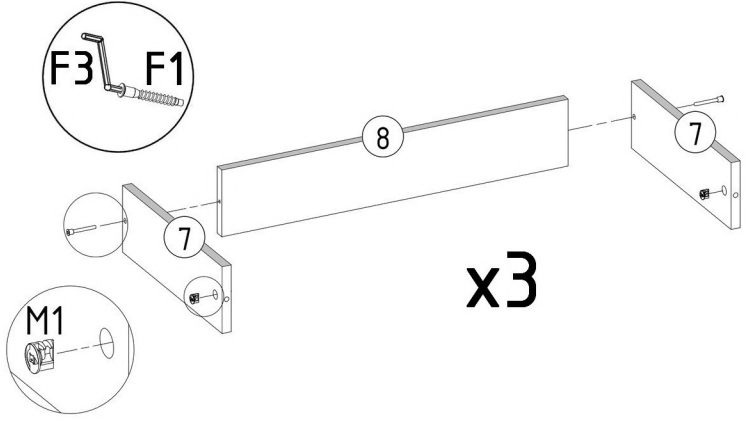
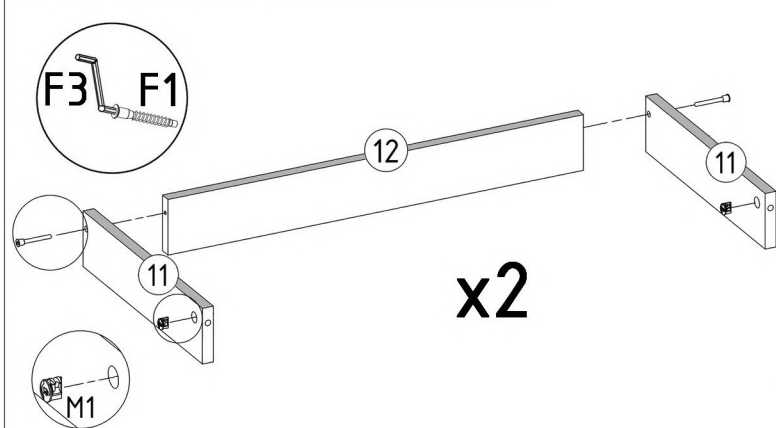
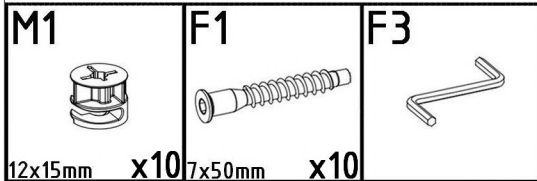
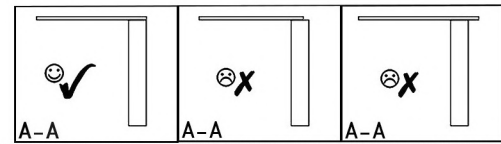
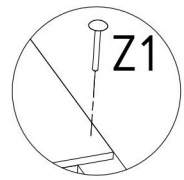
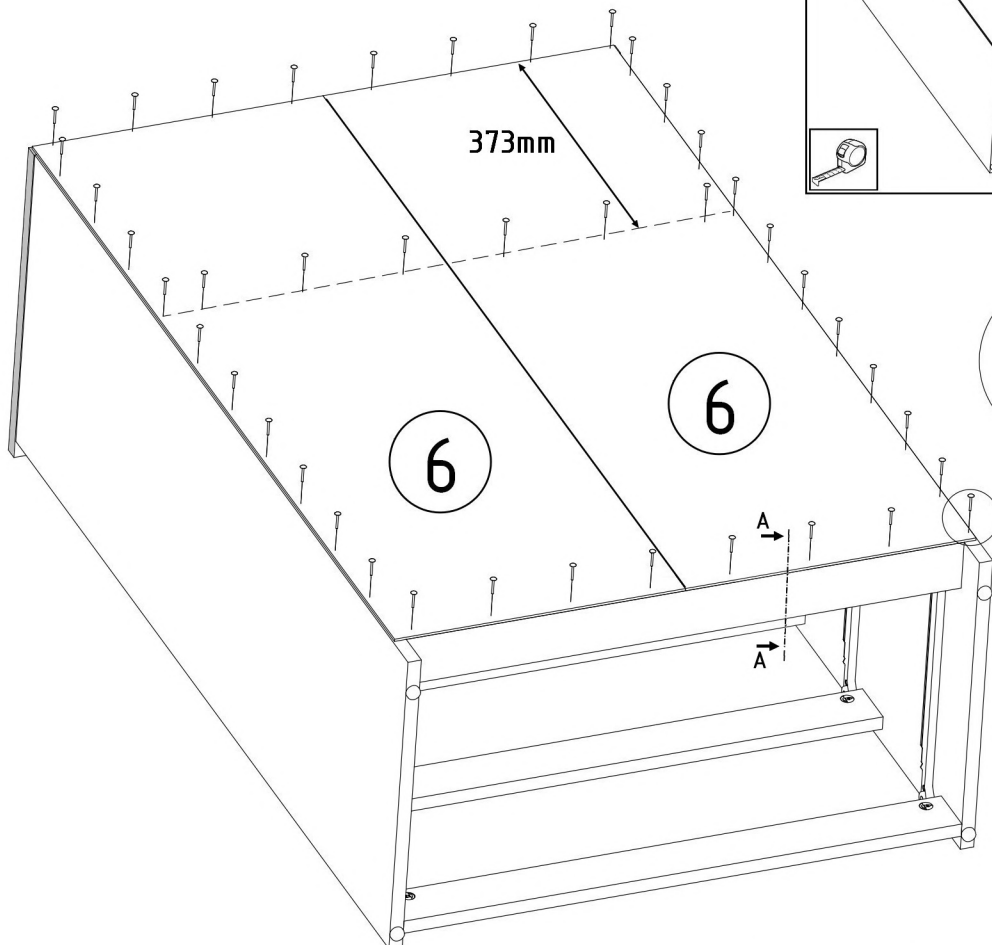
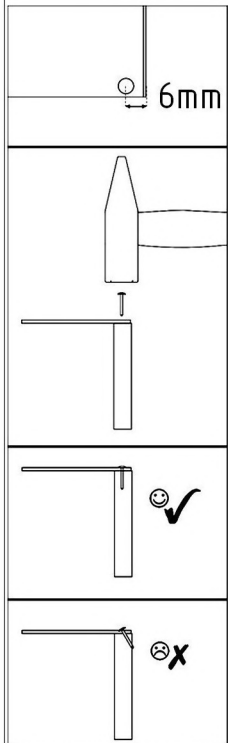
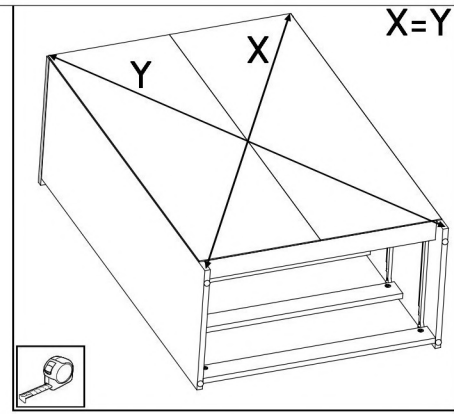
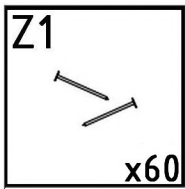


M1  12x15mm	E1  8x30mm
x16	x12




N1
L=35mm **x4**

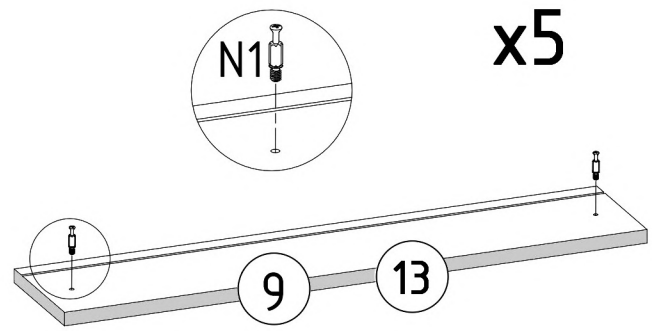
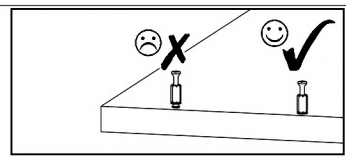





N1



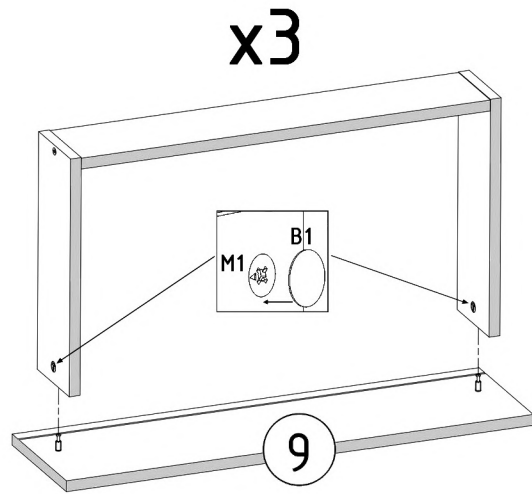
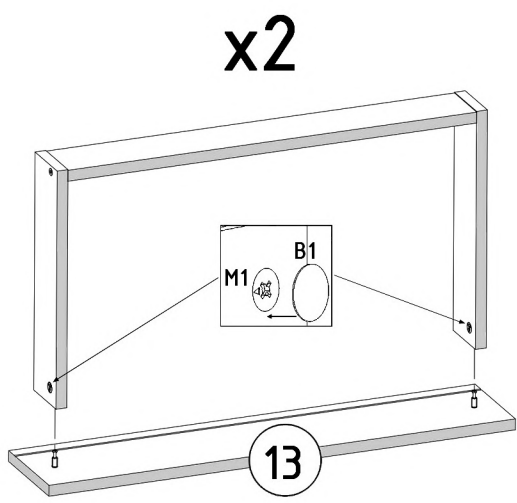
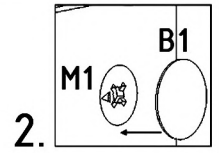
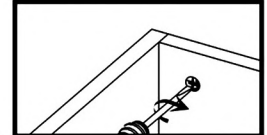
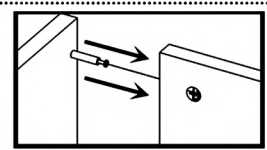
L=35mm x10




B1



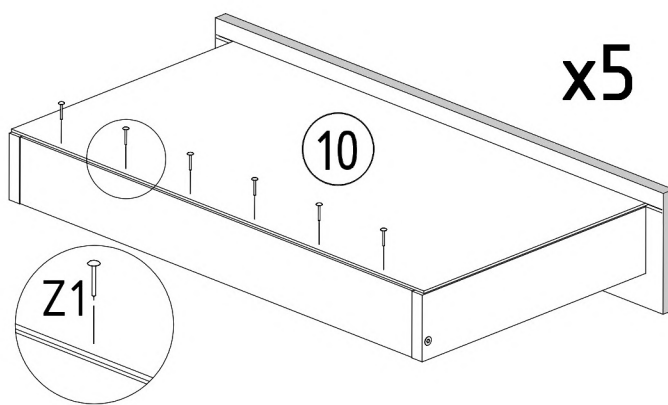
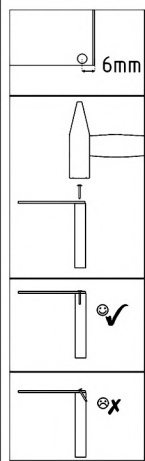
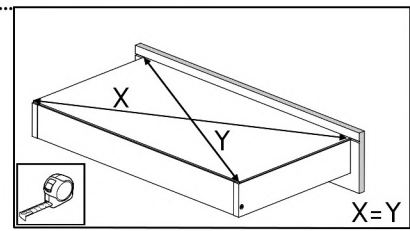
B
ø17/5-4mm x10

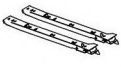



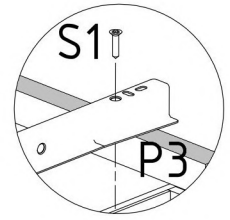
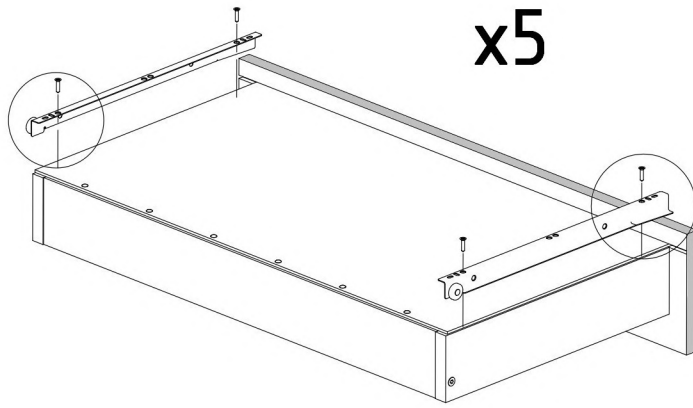
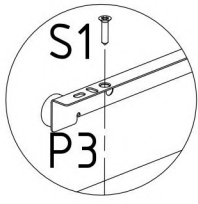
Z1



x30



P3  L=350mm x5	S1  3,5x16mm x20
---	--



V13  x1

