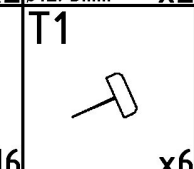
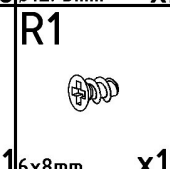
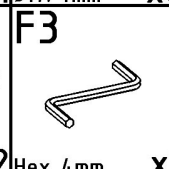
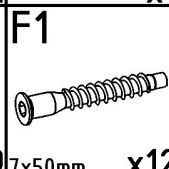
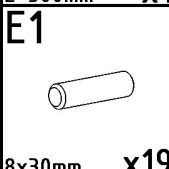
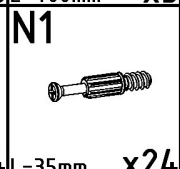
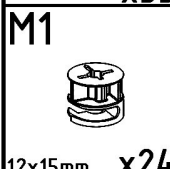
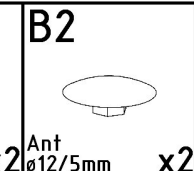
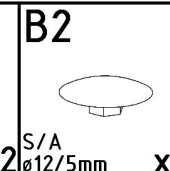
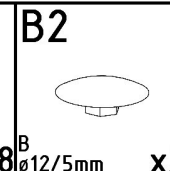
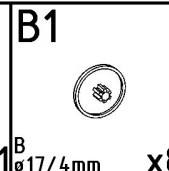
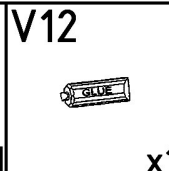
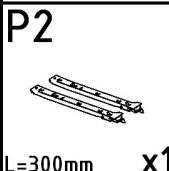
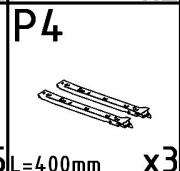
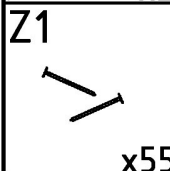
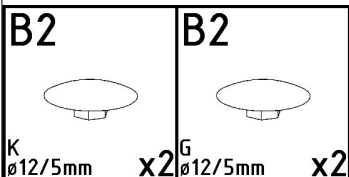
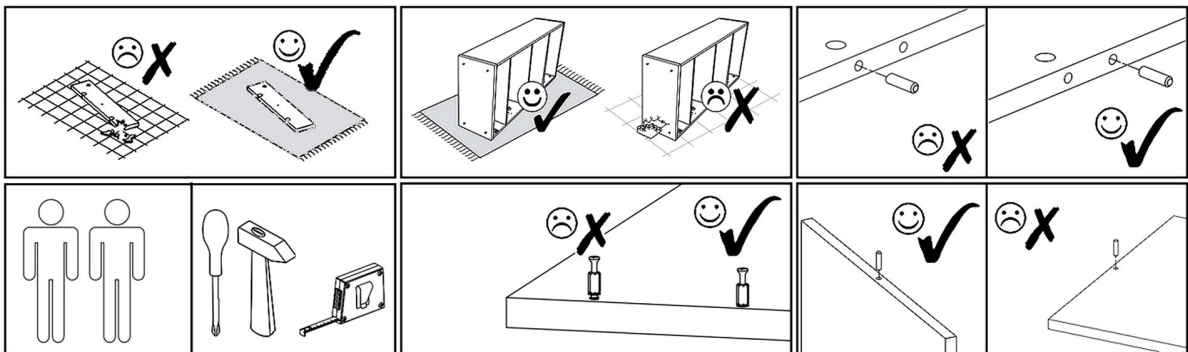
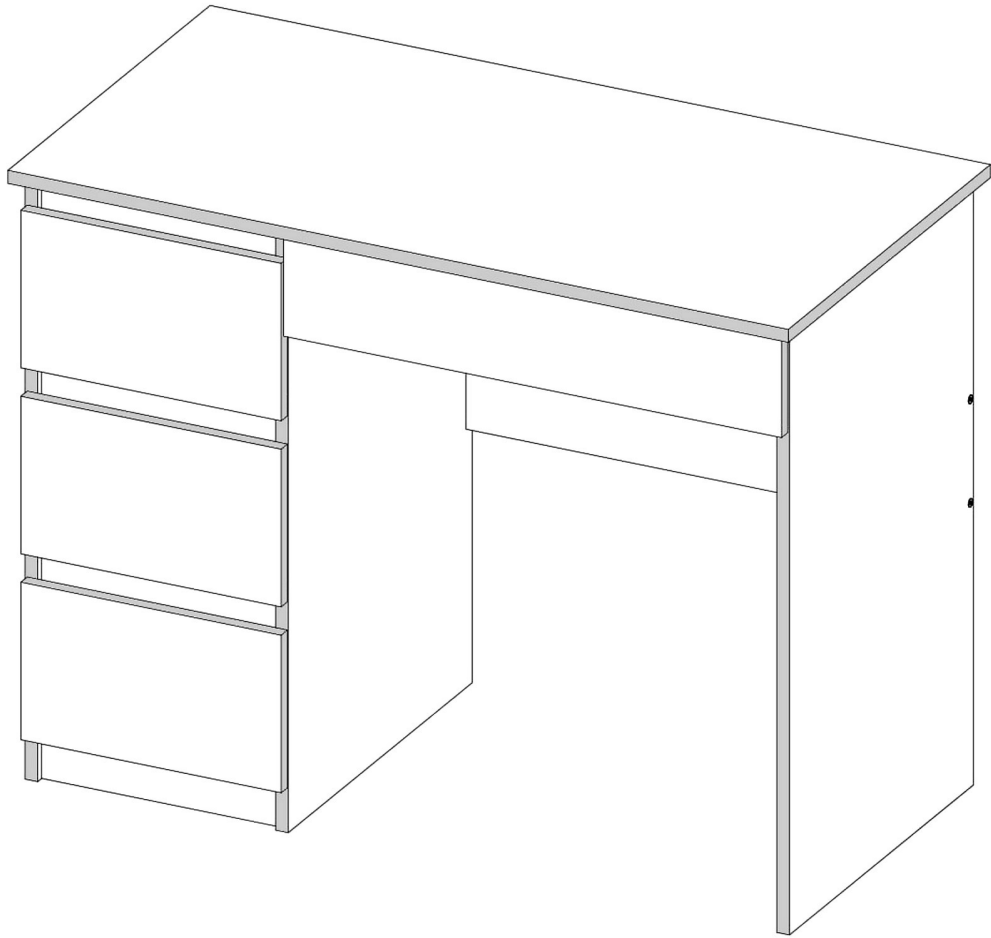


MIJAS L

PRODUCTION DATE

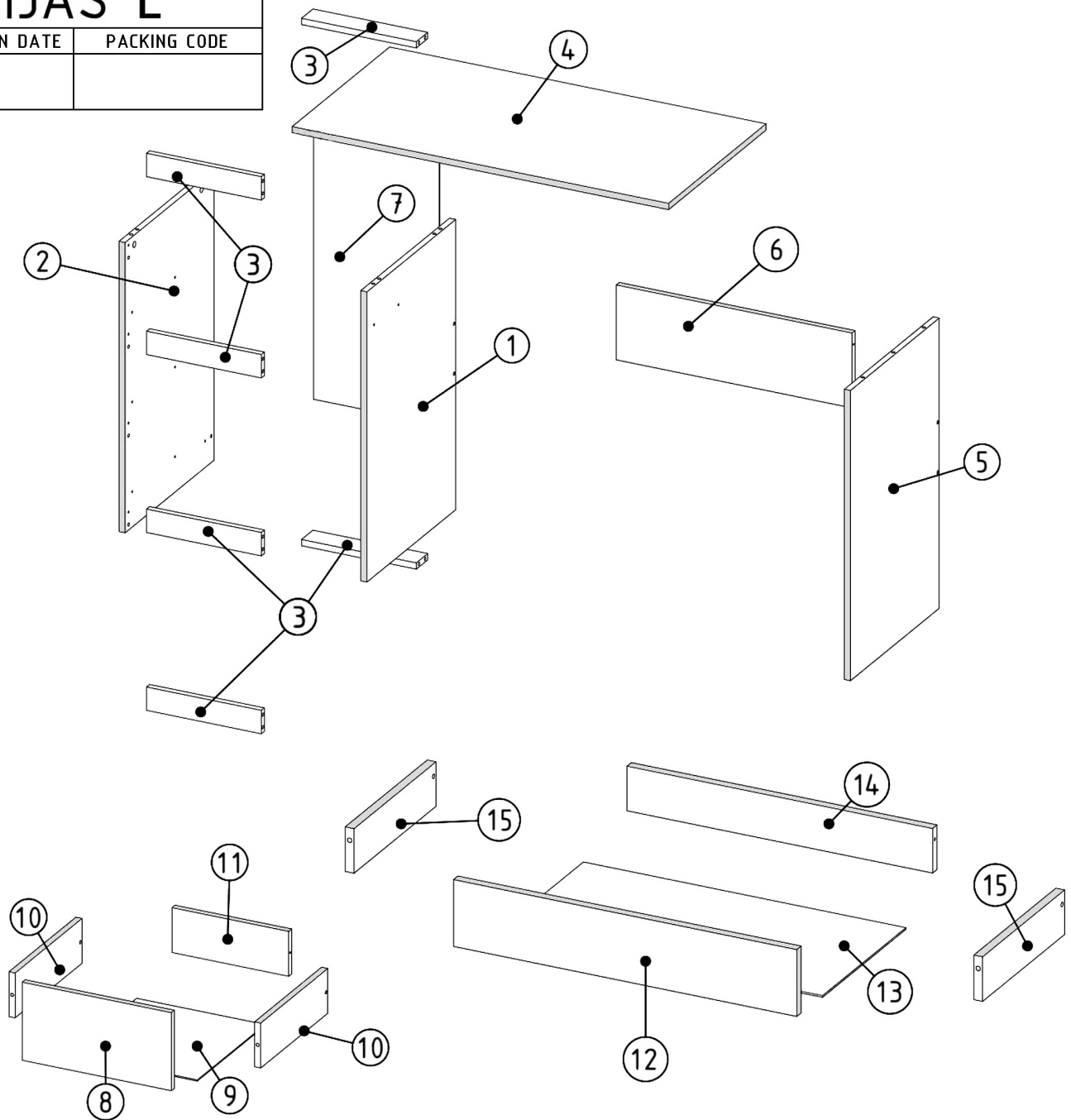
PACKING CODE





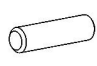

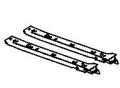

MIJAS L

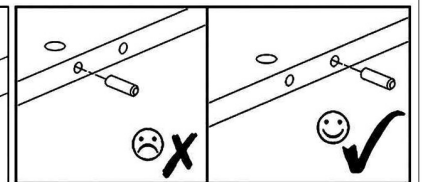
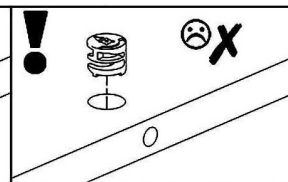
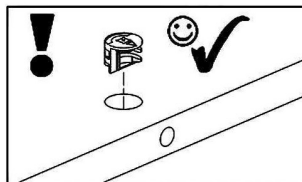
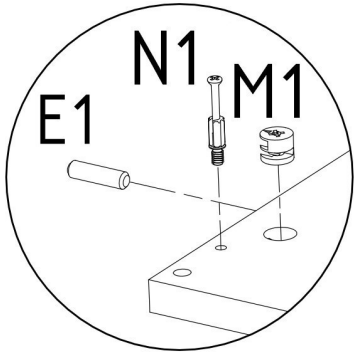
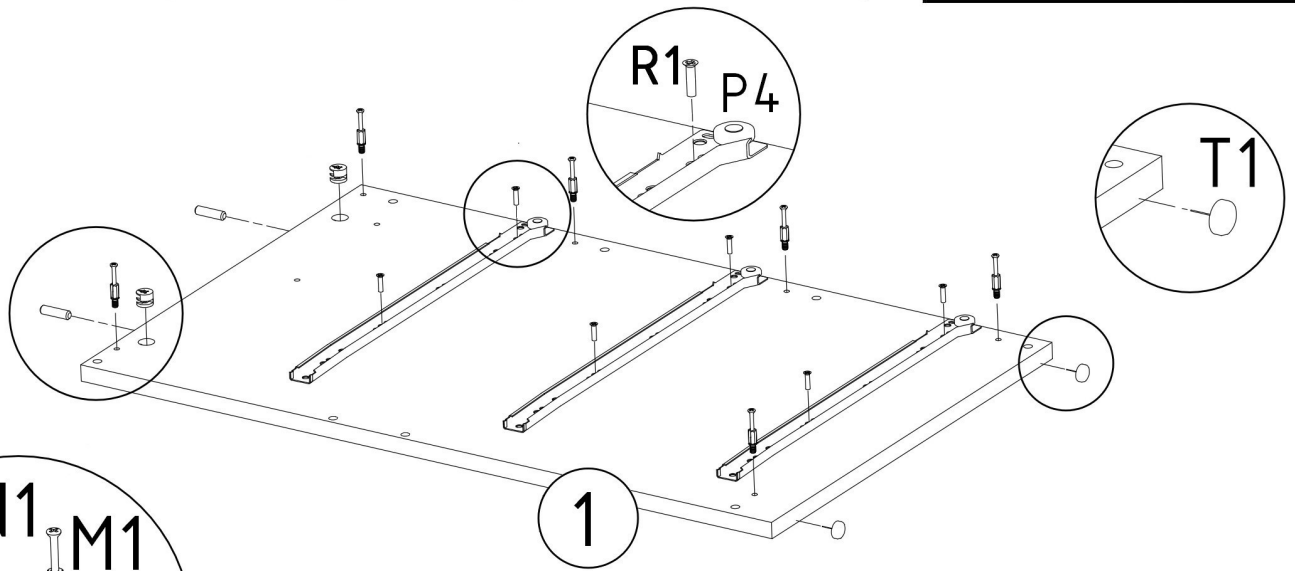
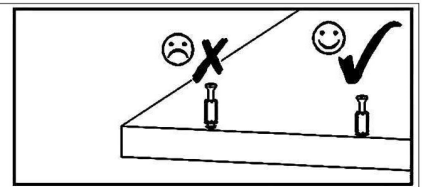
PRODUCTION DATE



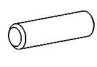

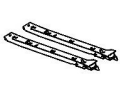

PACKING CODE

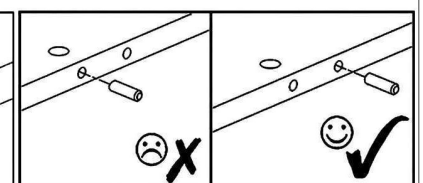
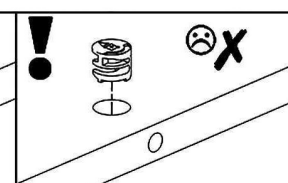
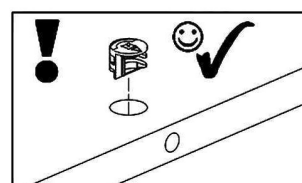
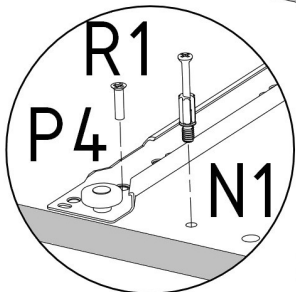
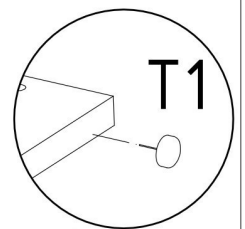
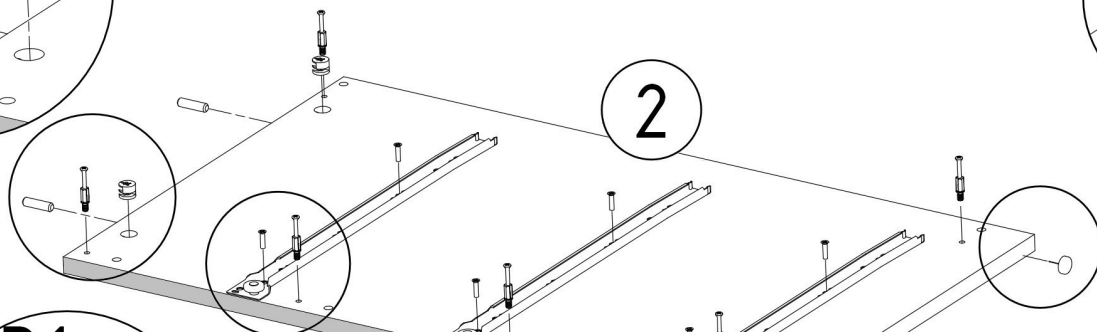
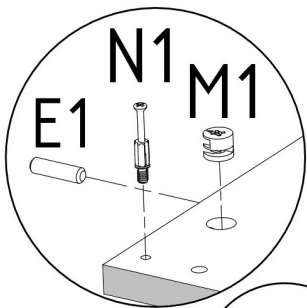
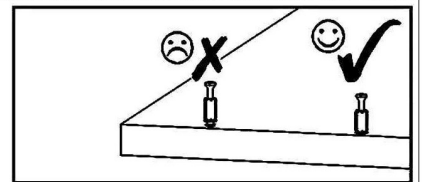




000032	15	2
000107	14	1
000034	13	1
000423	12	1
000007	11	3
000083	10	6
000021	9	3
000044	8	3
000147	7	1
000133	6	1
000426	5	1
000424	4	1
000030	3	6
000425	2	1
000427	1	1
ID	NUMBER	QUANTITY

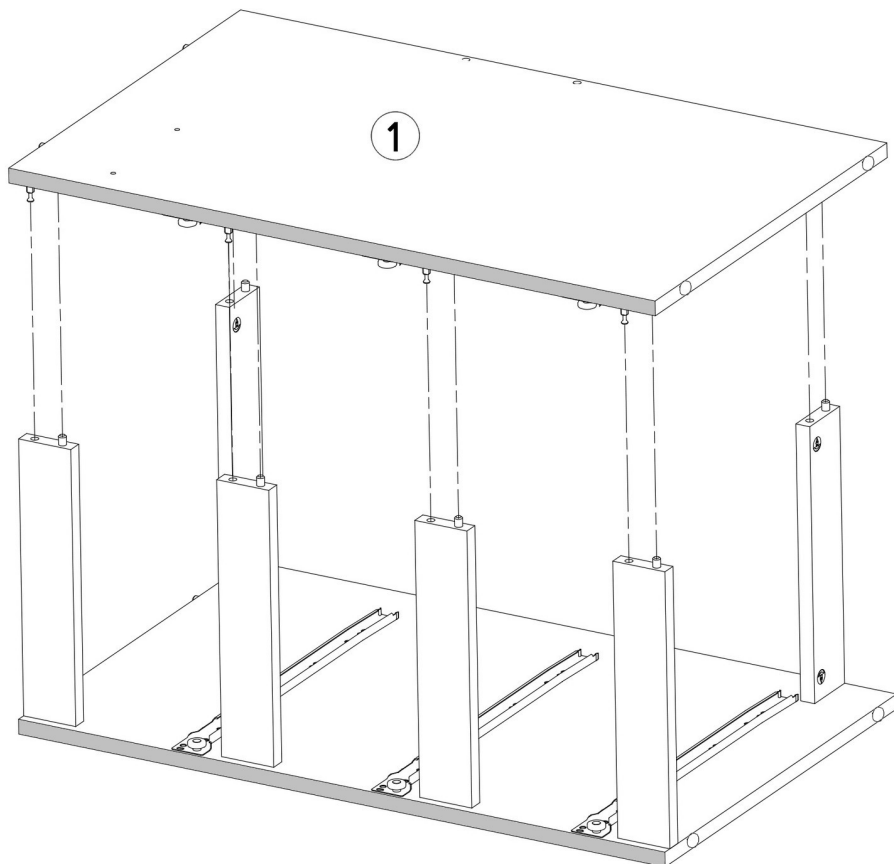
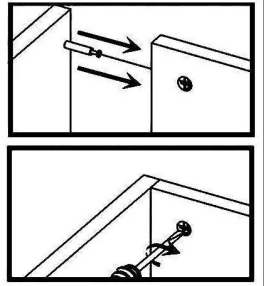
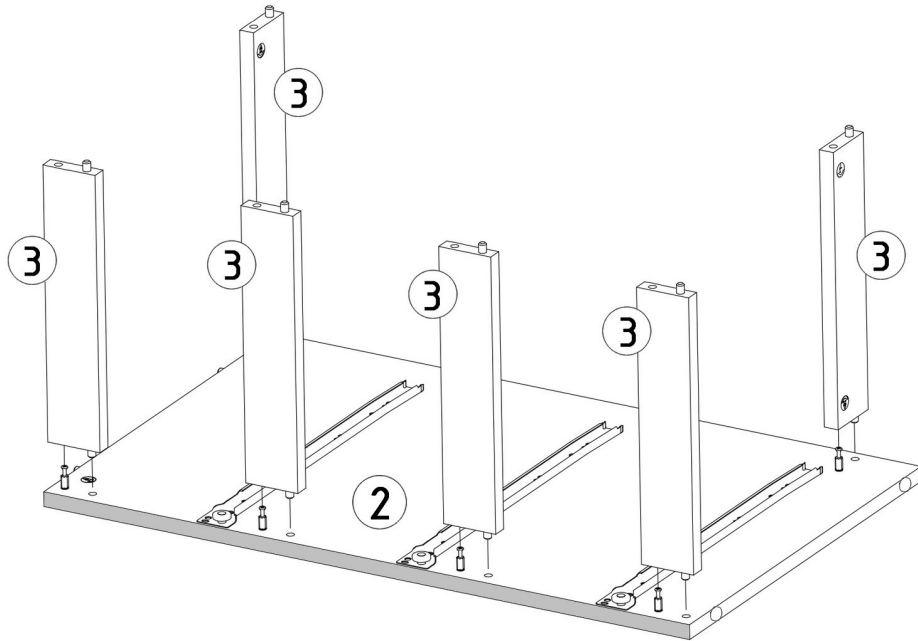
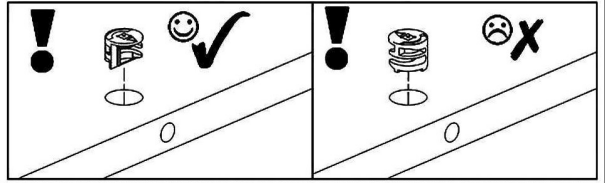
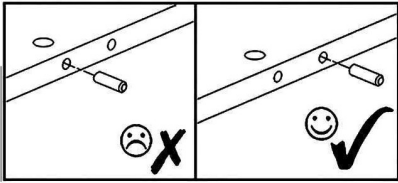
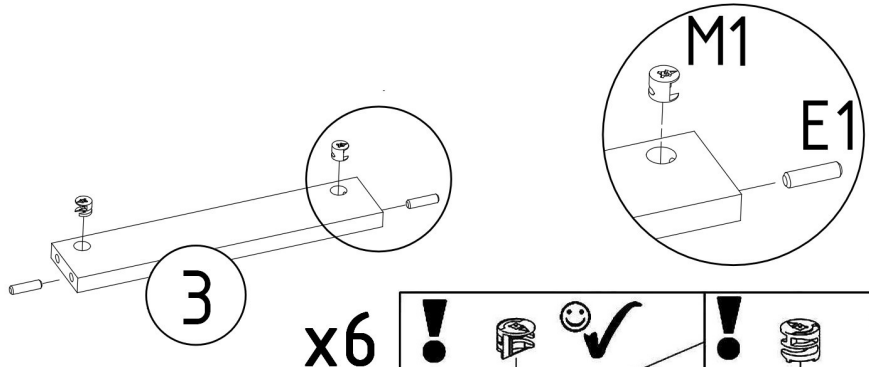
N1  L=35mm	M1  12x15mm	E1  8x30mm	R1  6x8mm	P4  L=400mm	T1  x3
x6	x6	x2	x2	x6	x2






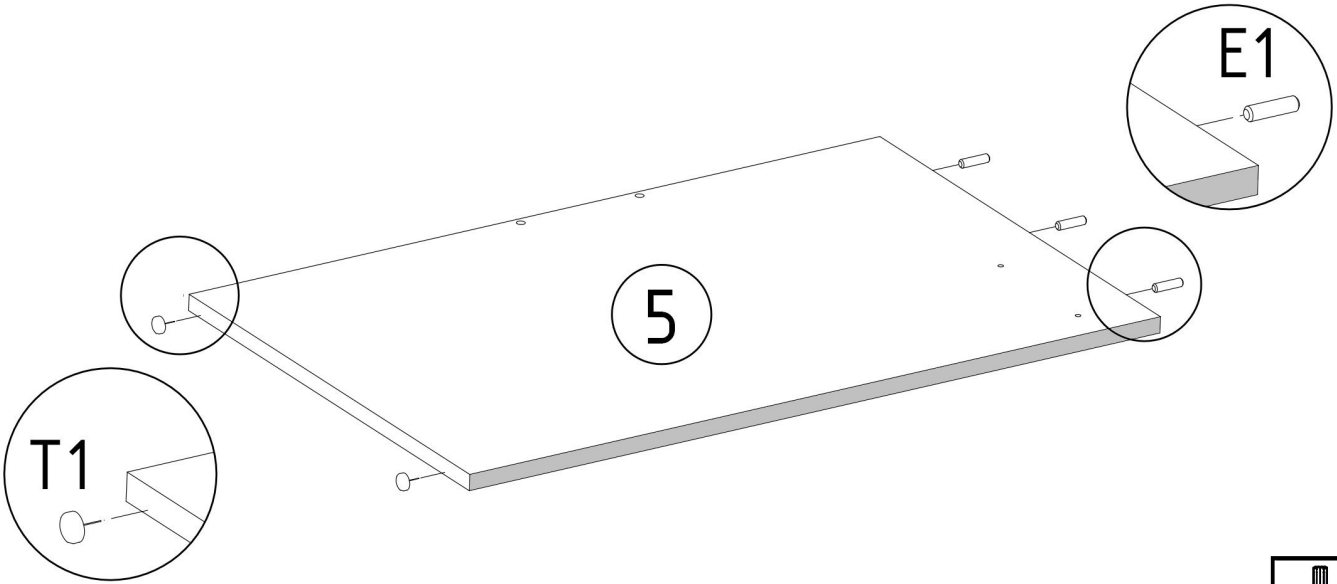
N1  L=35mm	M1  12x15mm	E1  8x30mm	R1  6x8mm	P4  L=400mm	T1  x3
x6	x6	x2	x2	x6	x2

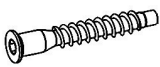
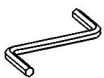


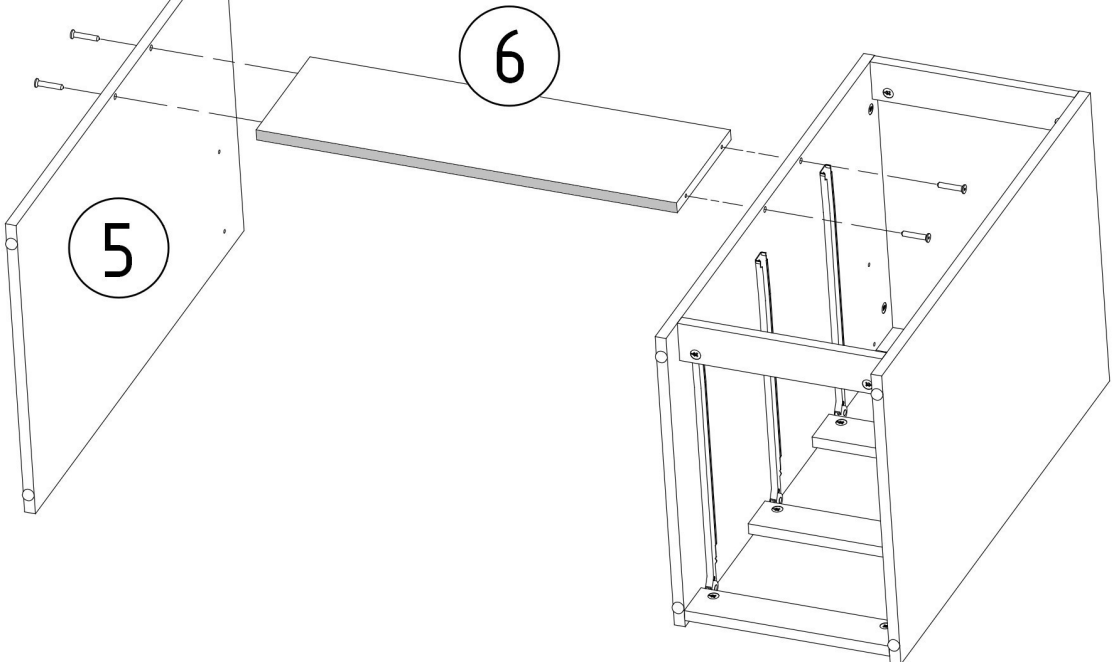
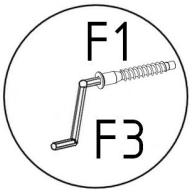
E1  8x30mm x12	M1  12x15mm x12
---	--



E1  8x30mm x3	T1  x2	V12  GLUE
--	--	---

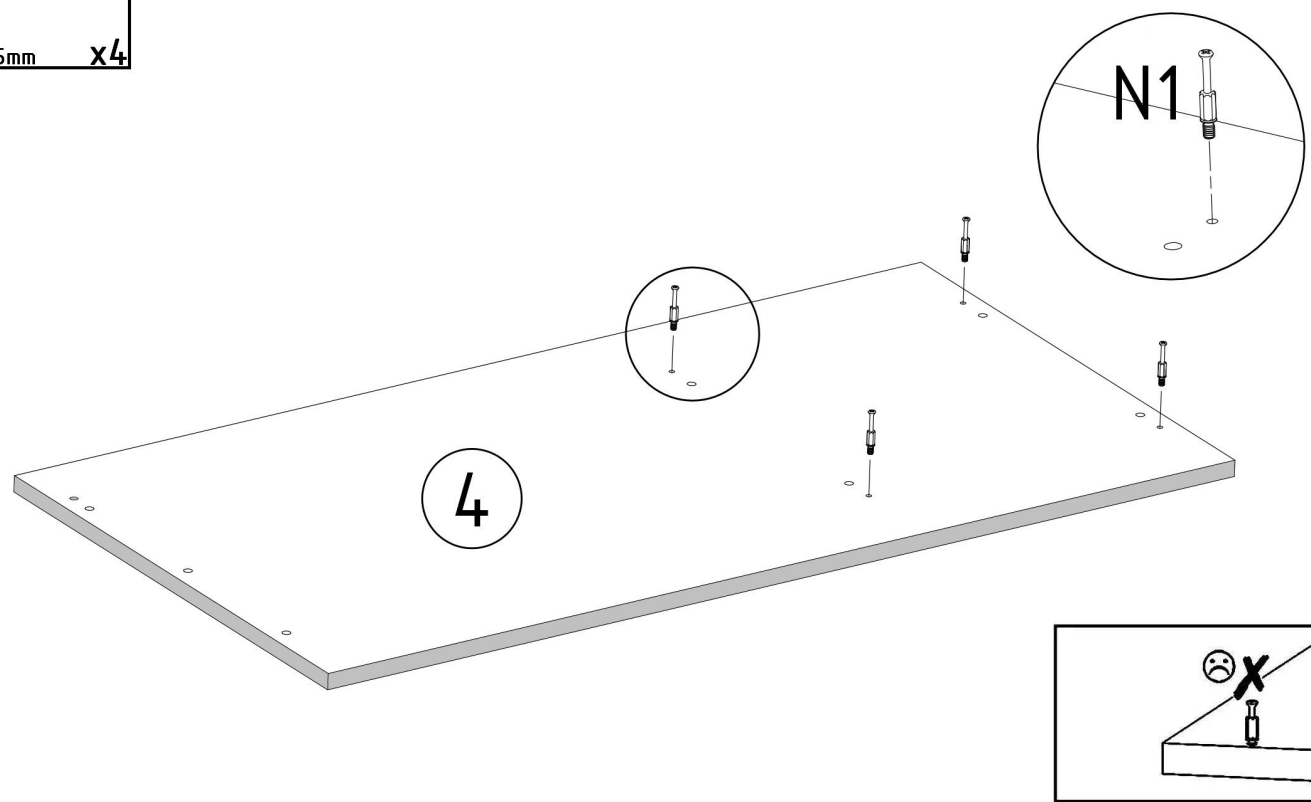


F1  7x50mm x4	F3  Hex 4mm
--	--

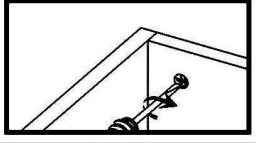
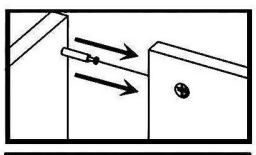
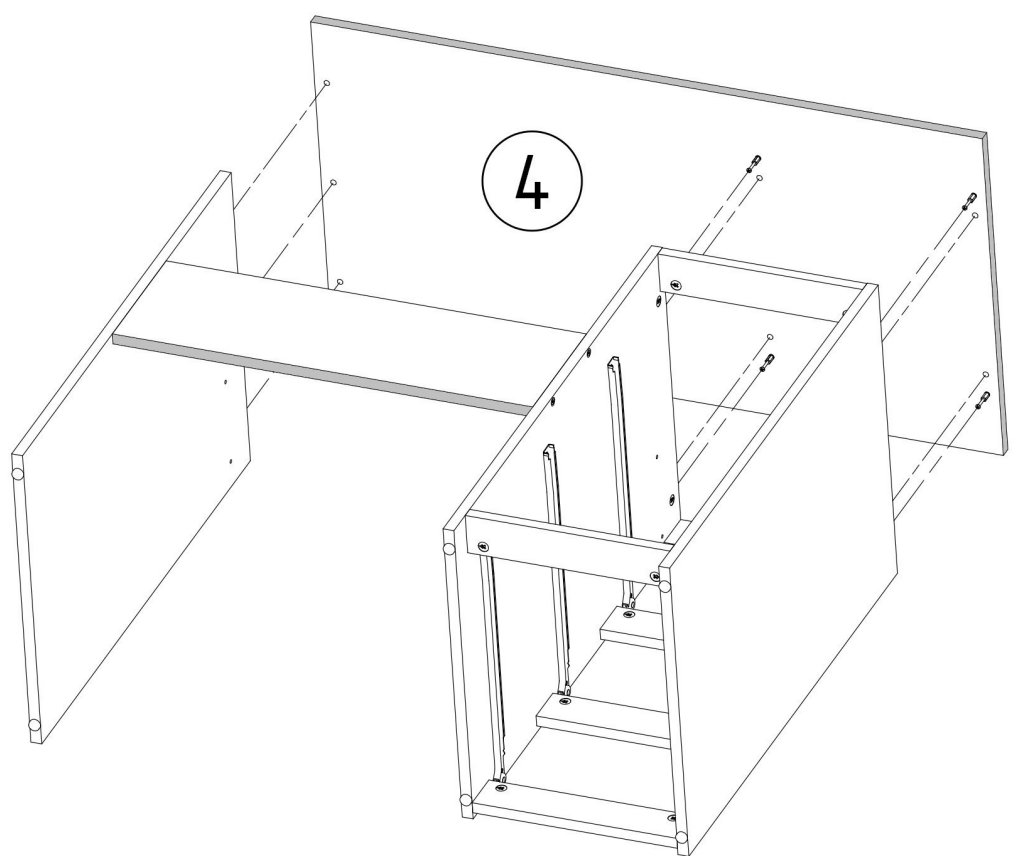
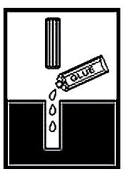


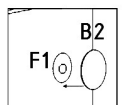
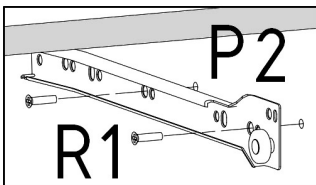
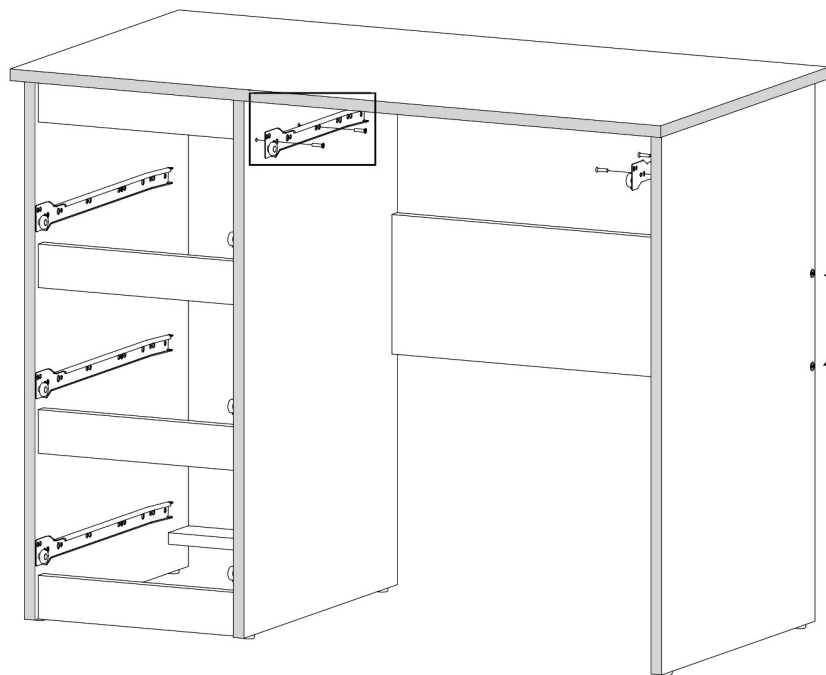
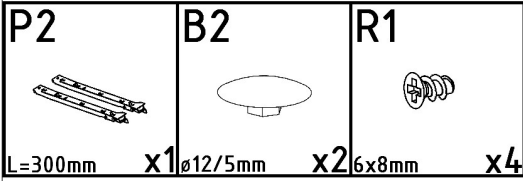
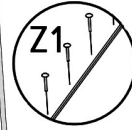
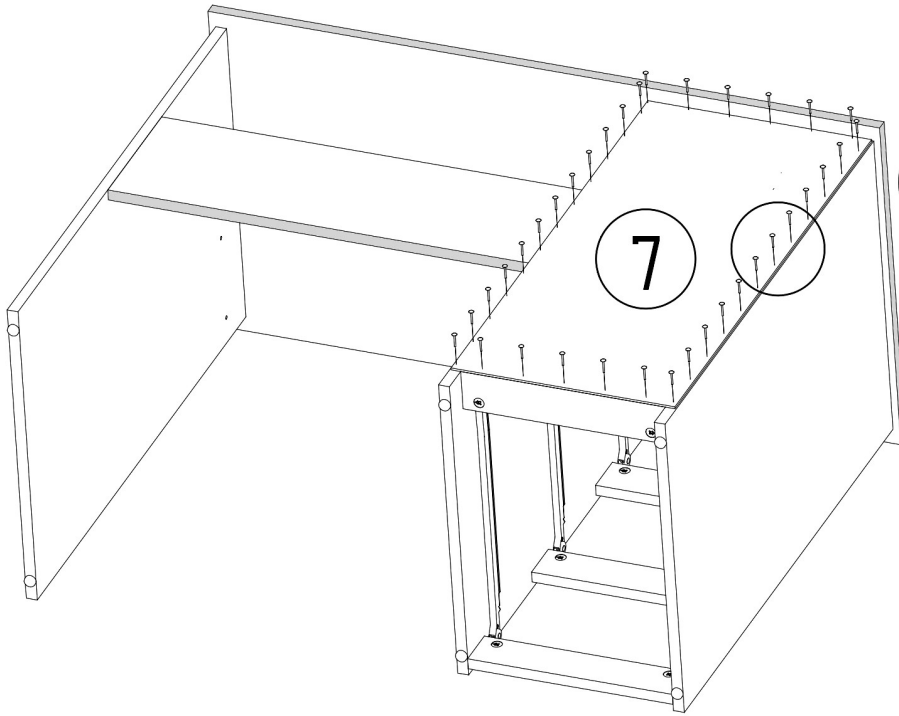
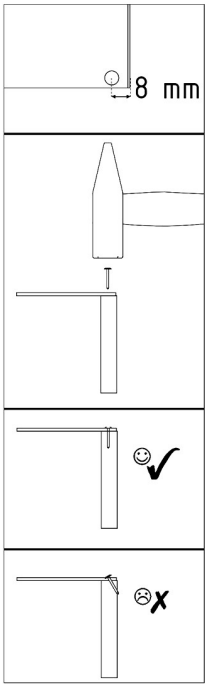
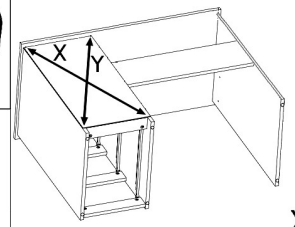
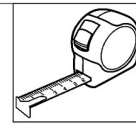
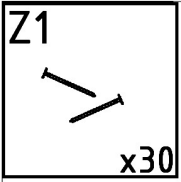
N1

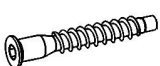
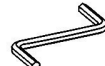

L=35mm X4

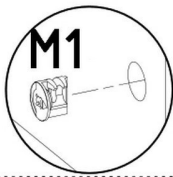
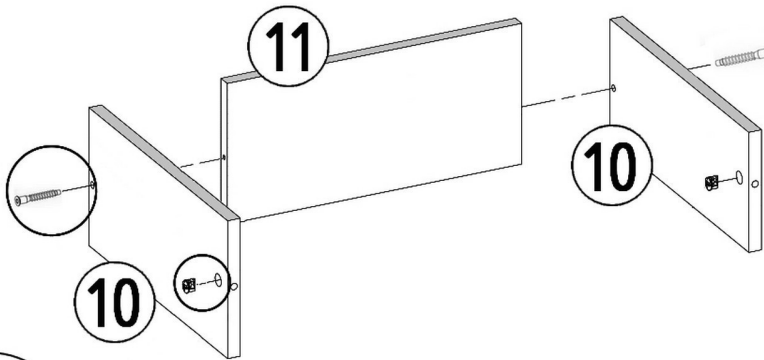
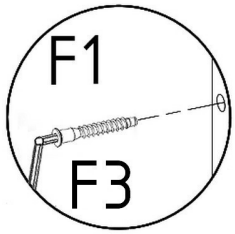
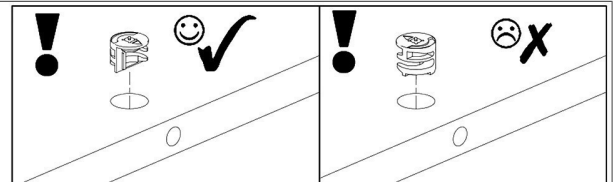


V12





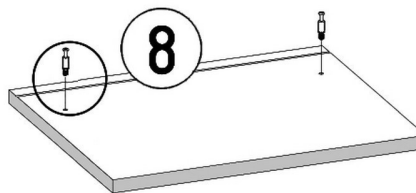
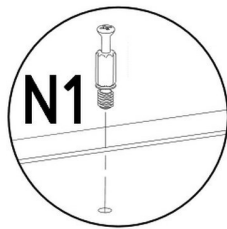
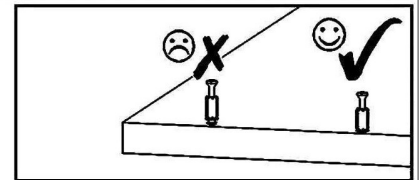


F1  7x50mm X6	F3  Hex 4mm	M1  12x15mm X6
---	--	---




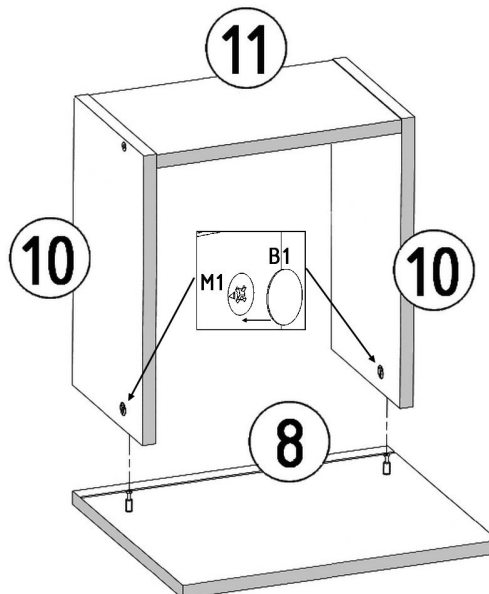
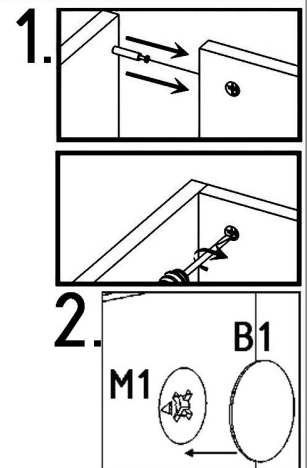
x3

N1  L=35mm X6
--

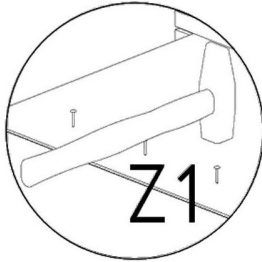
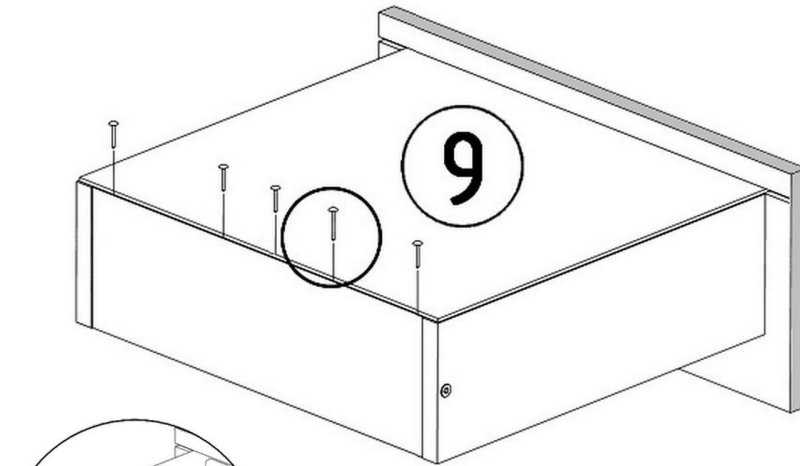
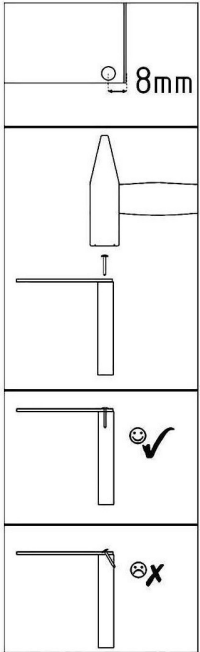
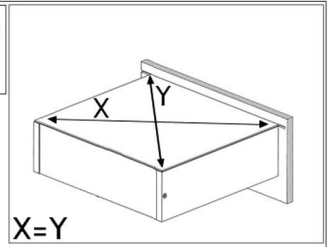
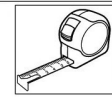
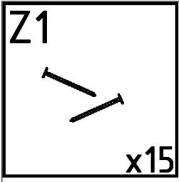


x3

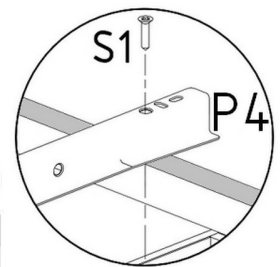
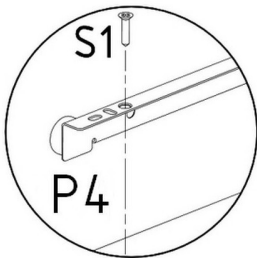
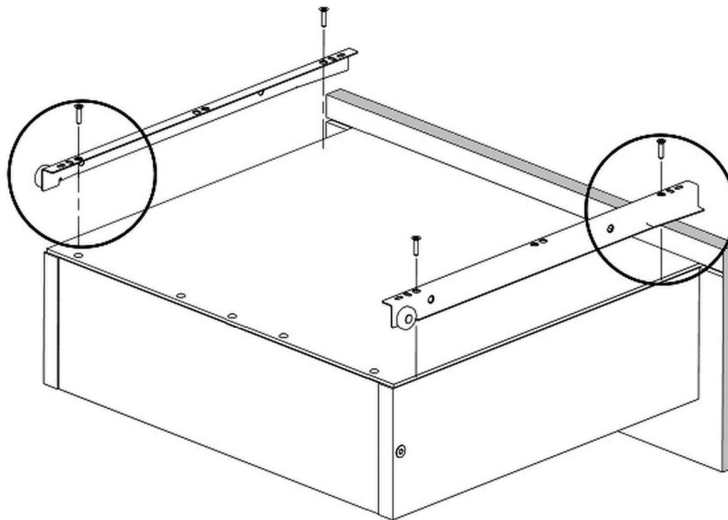
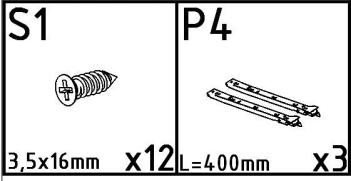
B1  ø17/4mm X6
--



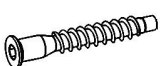
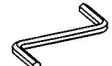

x3

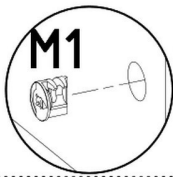
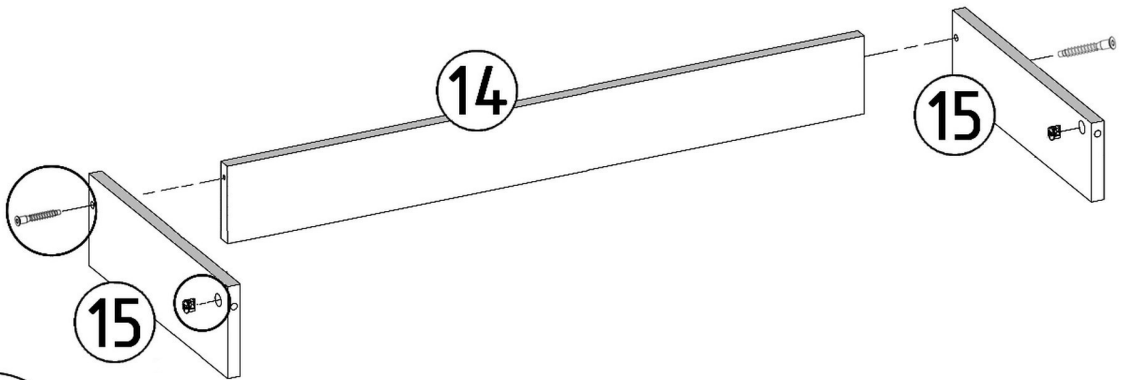
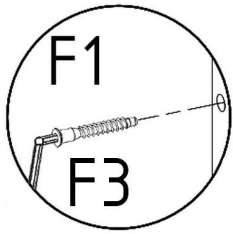
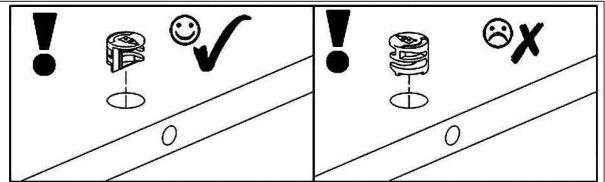



x3

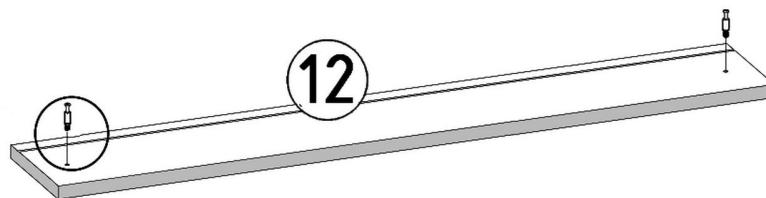
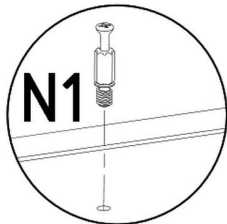
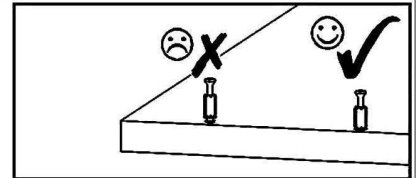



x3

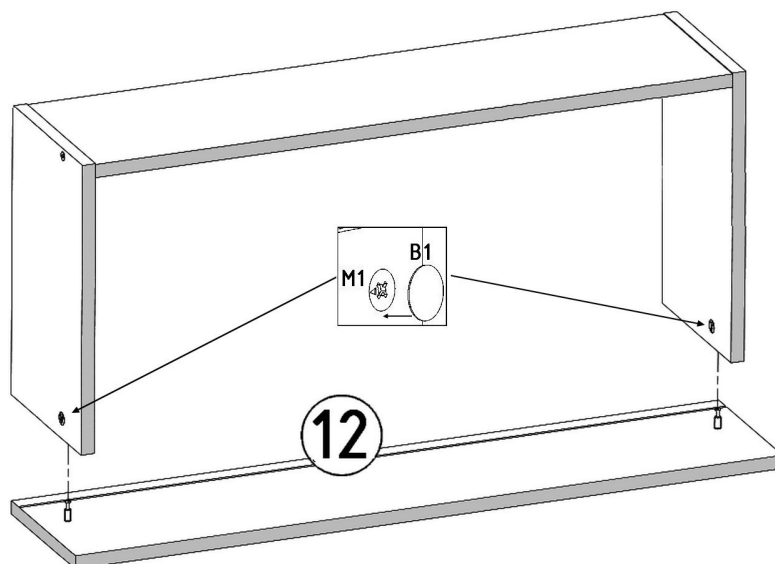
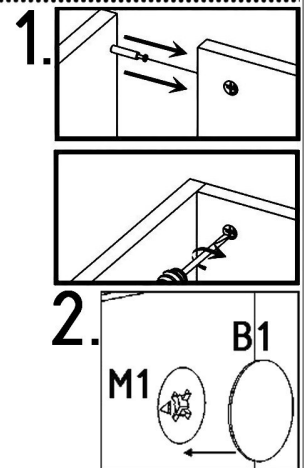
F1  7x50mm x2	F3  Hex 4mm	M1  12x15mm x2
--	--	--



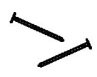
N1  L=35mm x2



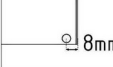
B1  ø17/4mm x2
--



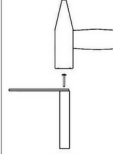

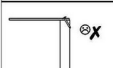
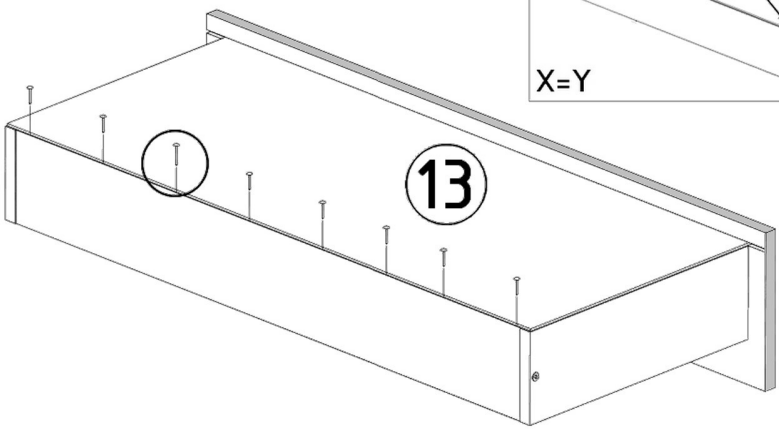
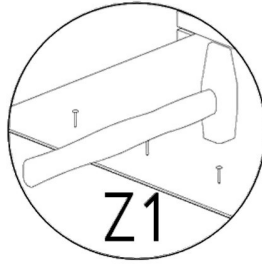
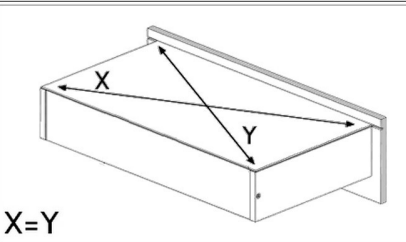
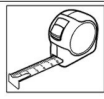
Z1



x10



8mm

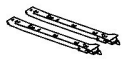





S1



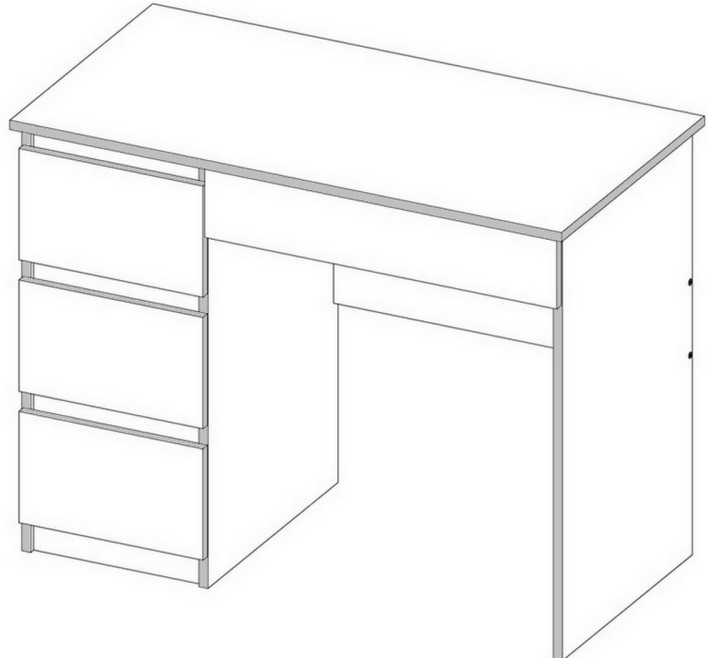
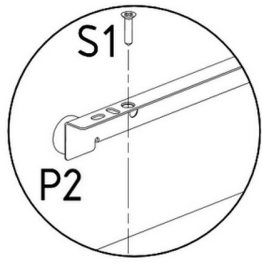
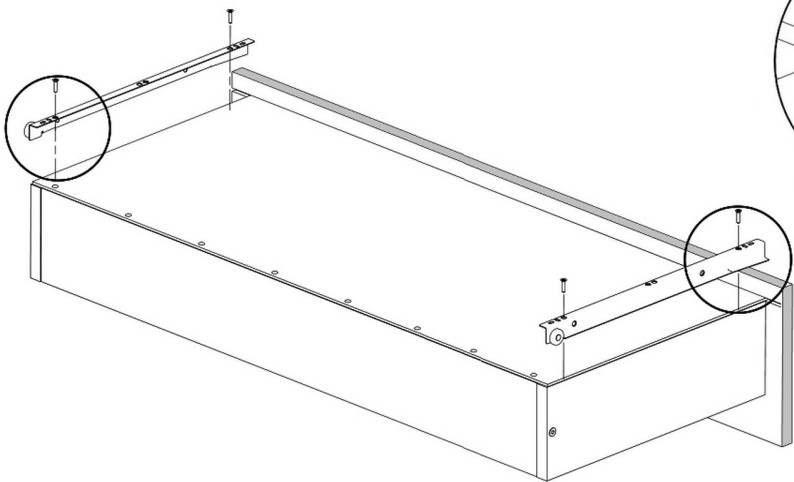
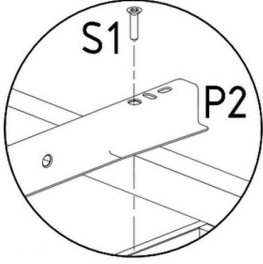
3,5x16mm

P2



L=300mm

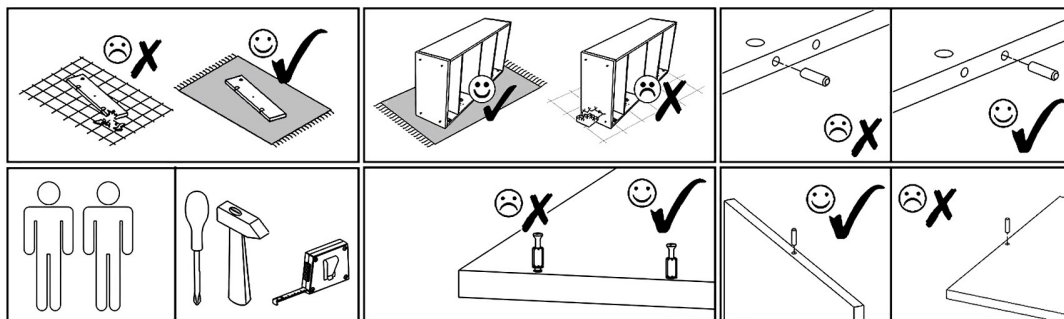
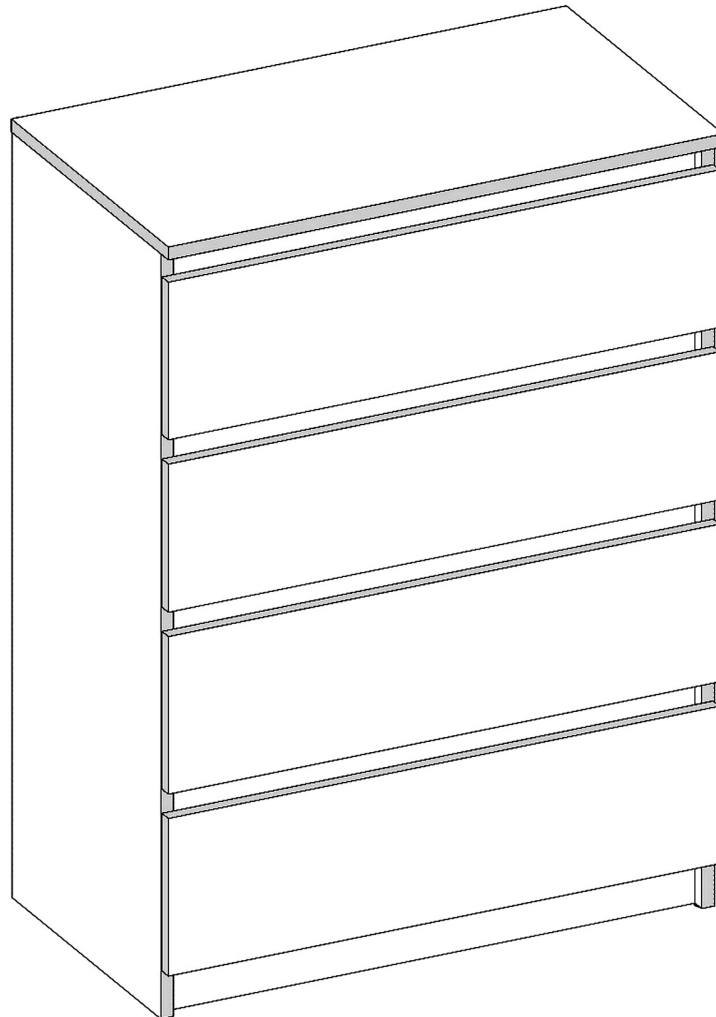
X1

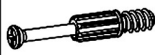






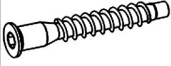
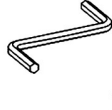

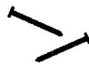


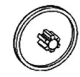
M4

PRODUCTION DATE

PACKING CODE



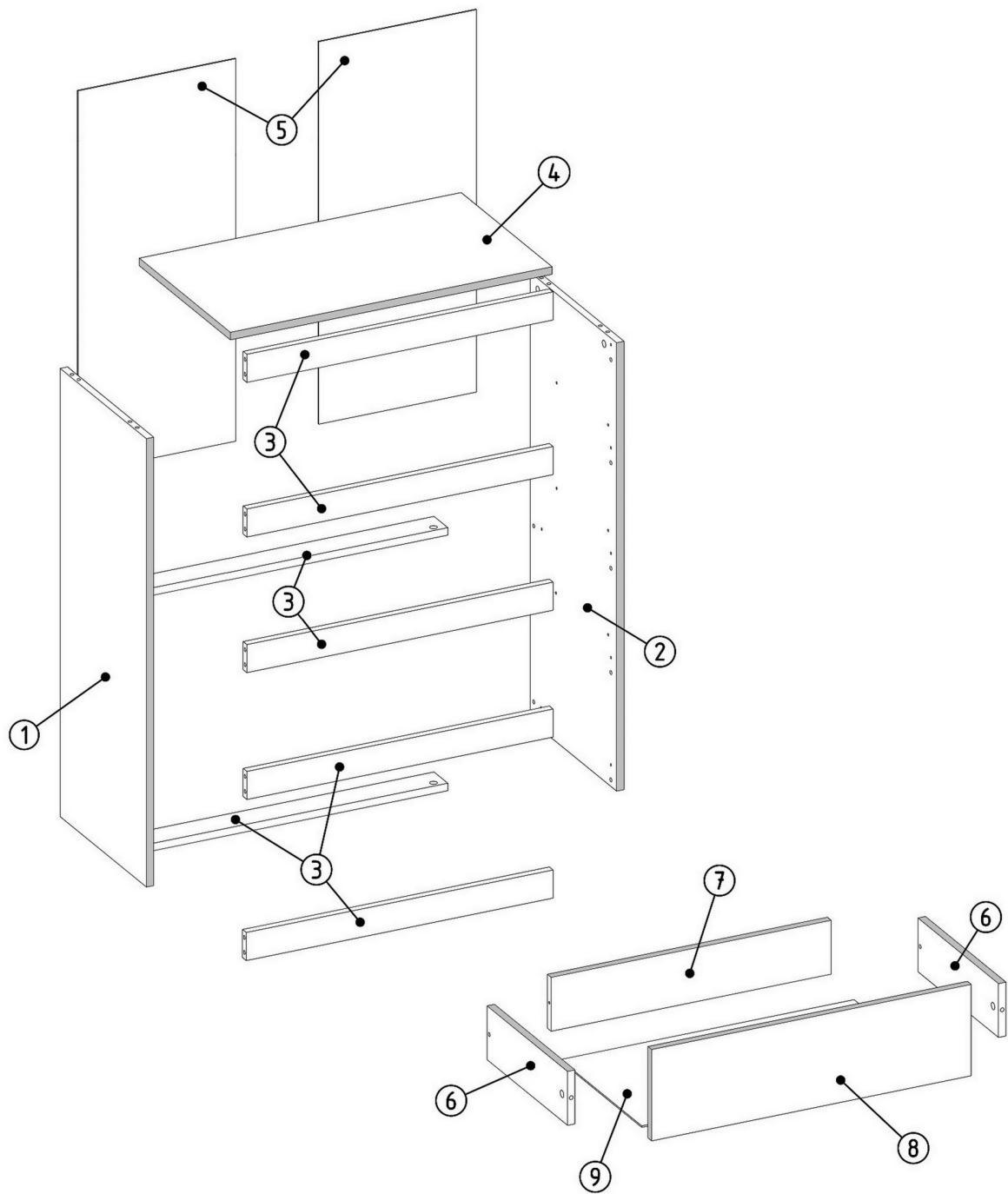
N1  L=35mm x26	M1  12x15mm x26	E1  ø8x30mm x18	S1  3,5x16mm x16	R1  6x8mm x16
---	---	---	--	---

F1  7x50mm x8	F3  x1	T1  x4	Z1  x70	P3  L=350mm x4	V13  x1	B1  ø17/5-4mm x8
--	--	--	---	--	--	--

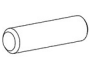


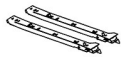


M4

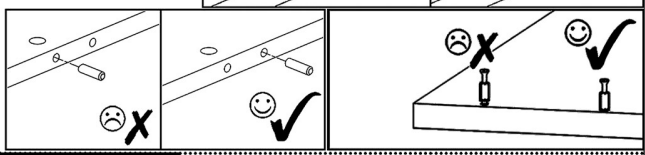
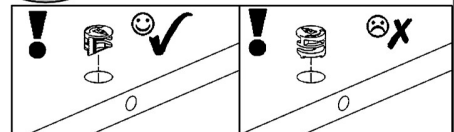
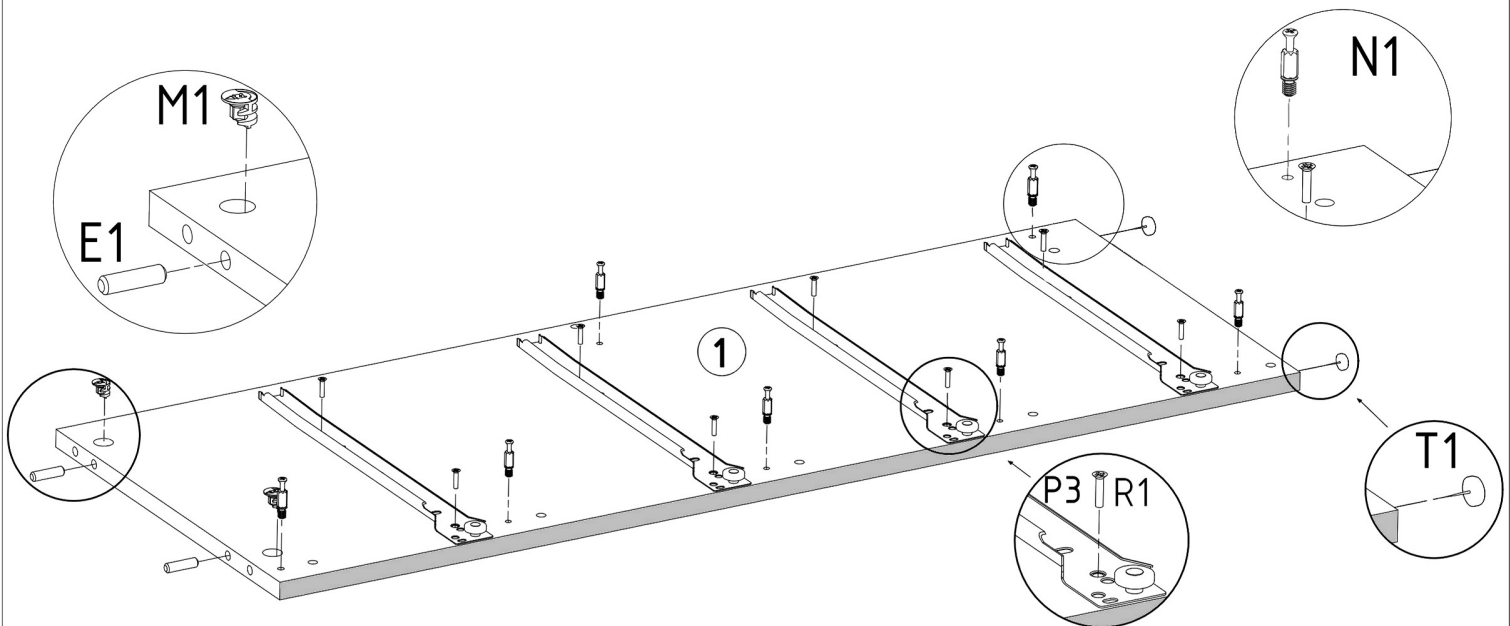
PRODUCTION DATE

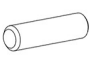
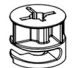

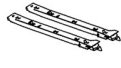


PACKING CODE

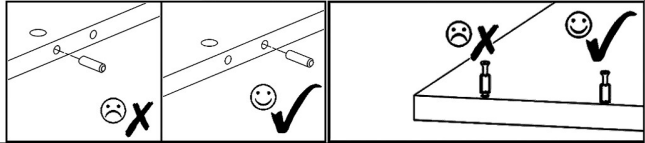
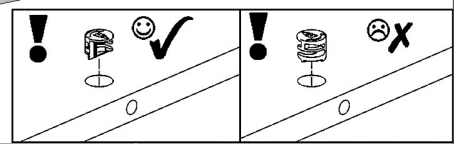
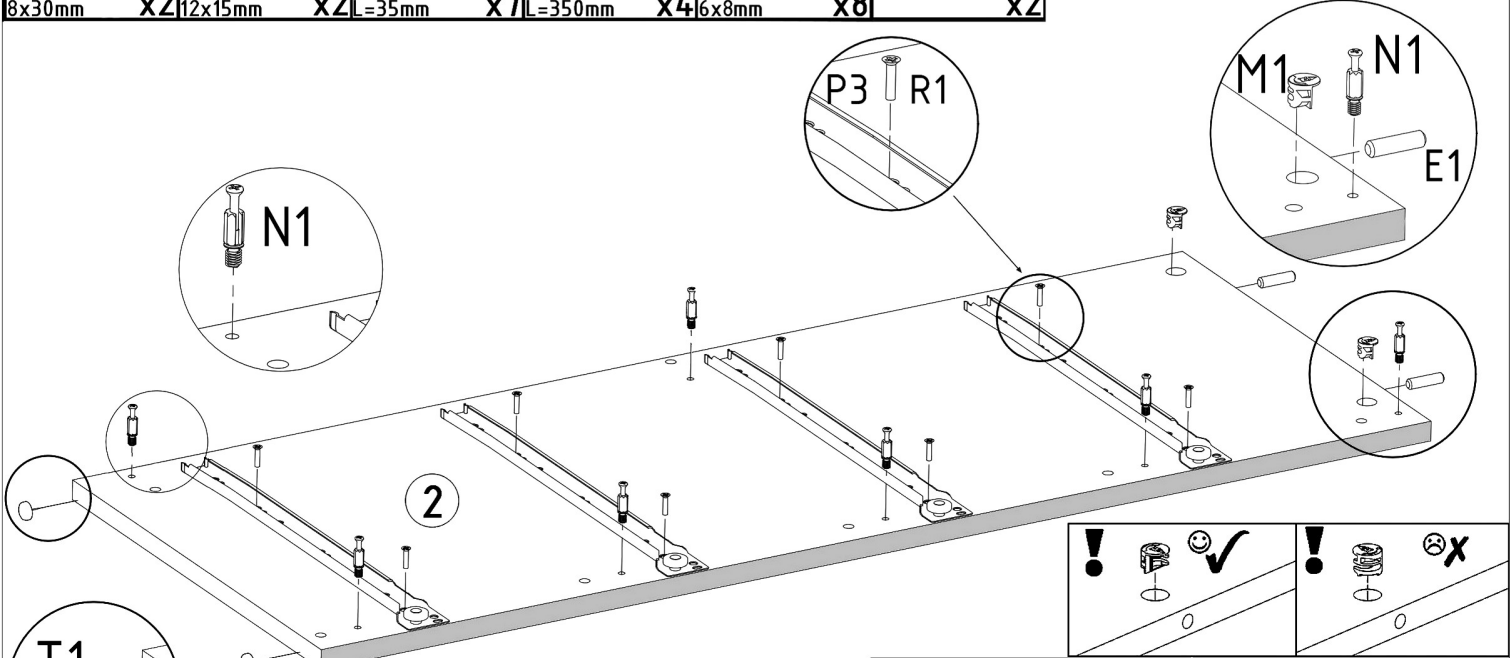


000137	9	4
000151	8	4
000132	7	4
000053	6	8
000371	5	2
000156	4	1
000145	3	7
000228	2	1
000227	1	1
ID	NUMBER	QUANTITY

E1  8x30mm x2	M1  12x15mm x2	N1  L=35mm x2	P3  L=350mm x7	R1  6x8mm x4	T1  x8
---	---	--	---	---	--



E1  8x30mm x2	M1  12x15mm x2	N1  L=35mm x2	P3  L=350mm x7	R1  6x8mm x4	T1  x2
--	--	---	--	--	---



M1



12x15mm

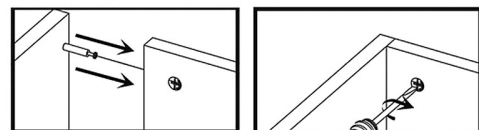
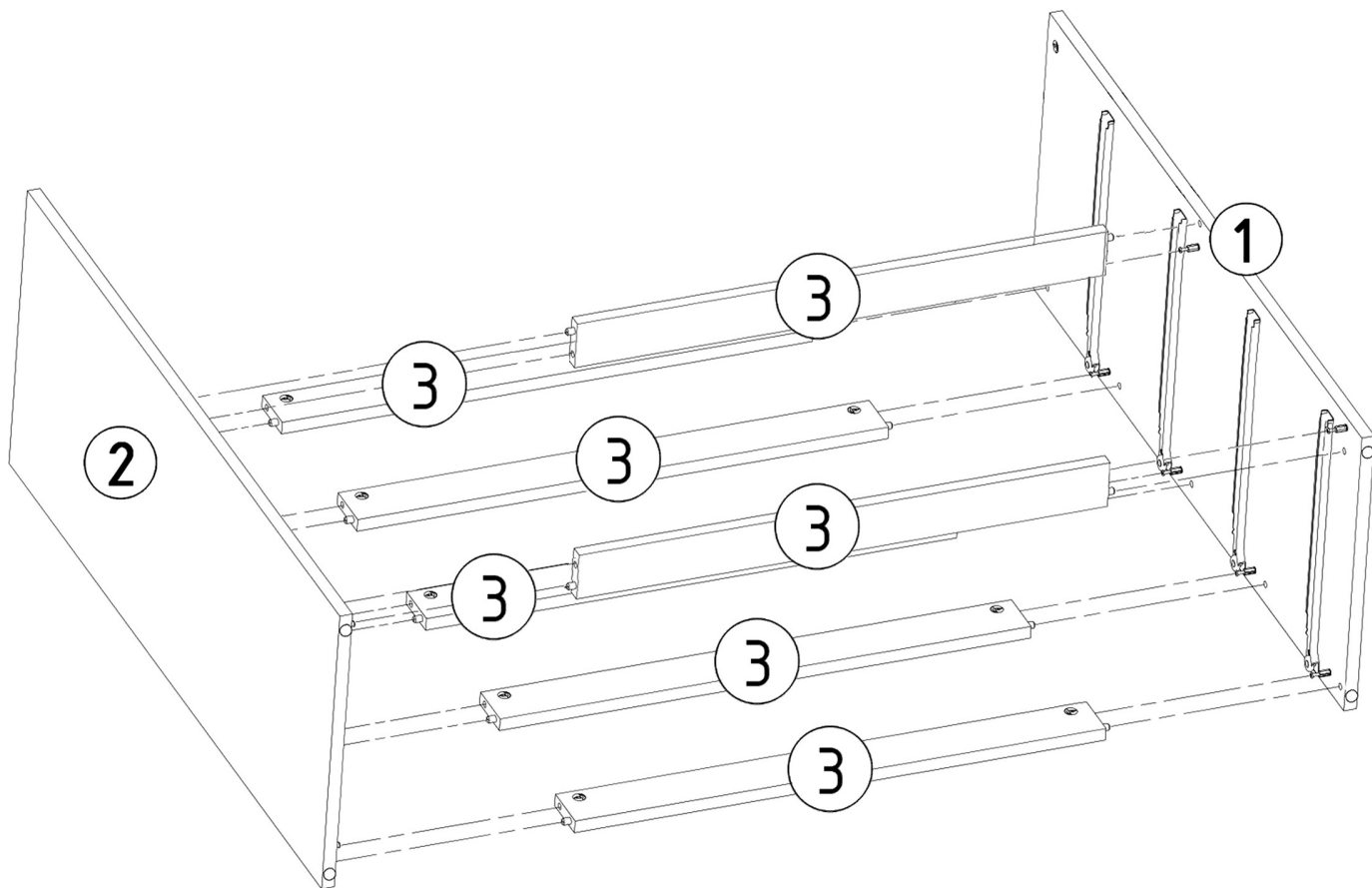
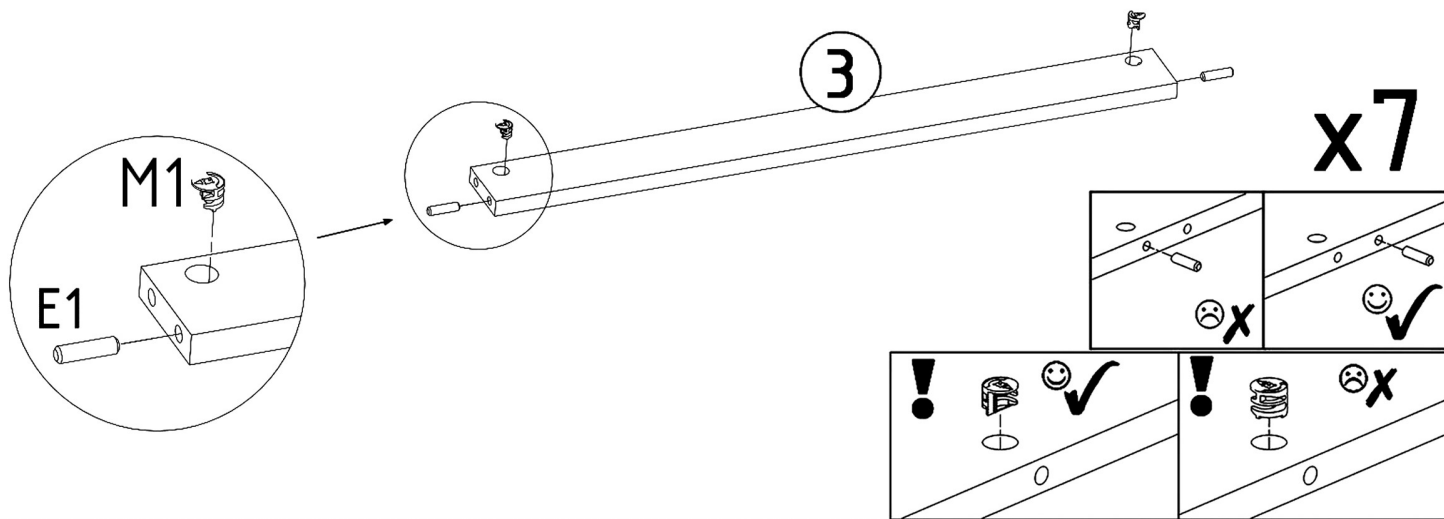
x14

E1

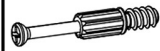


ø8x35mm

x14

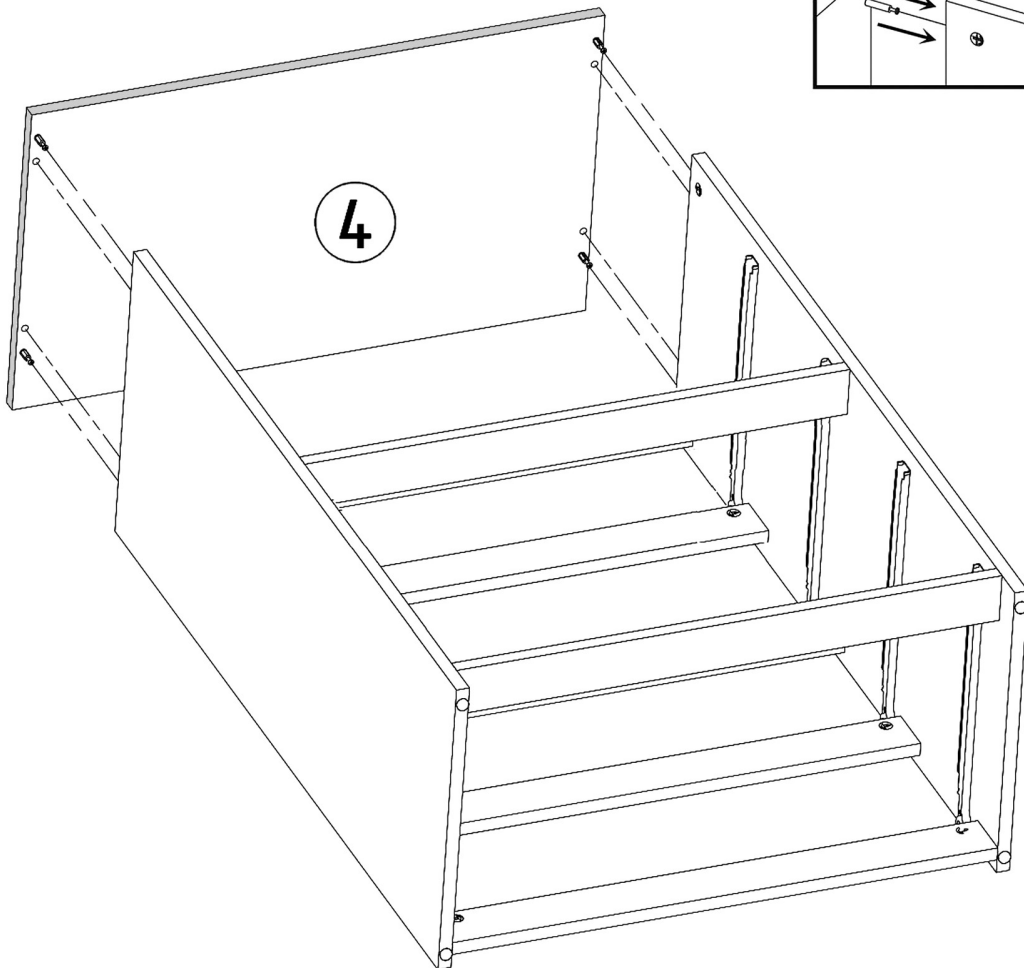
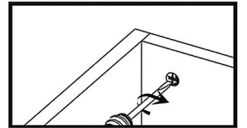
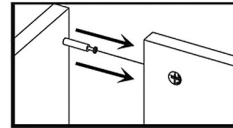
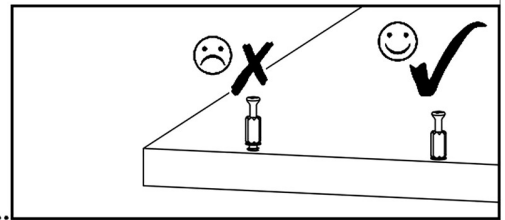
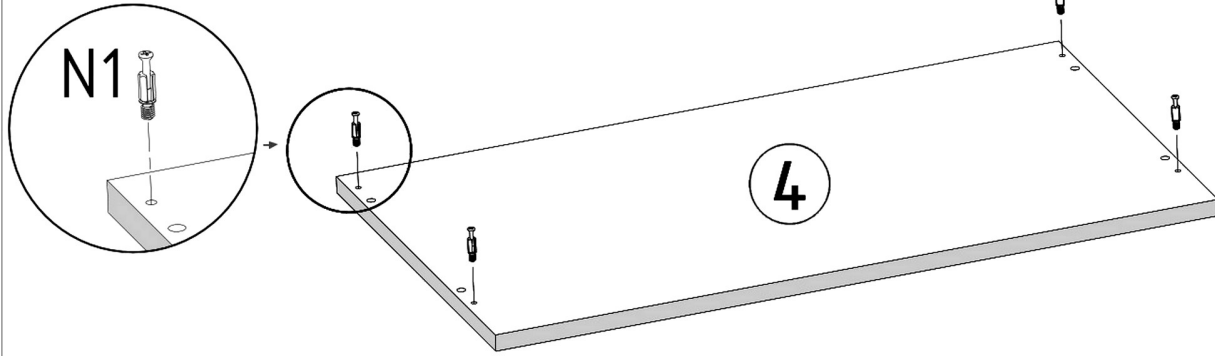


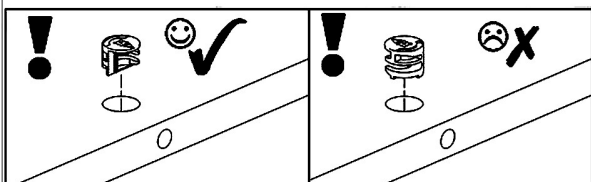
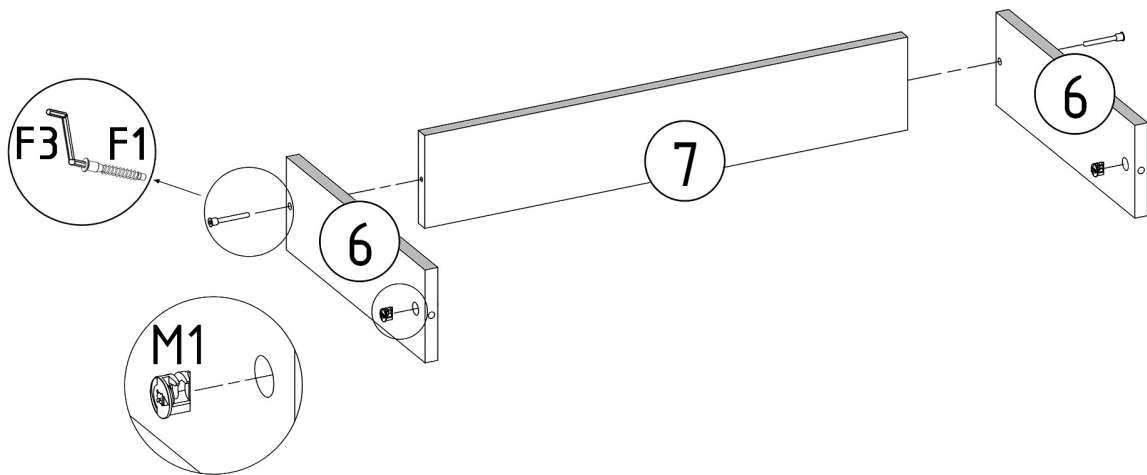
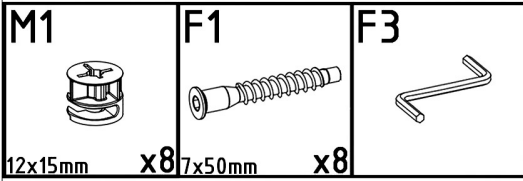
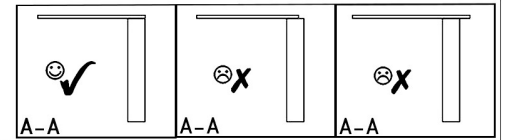
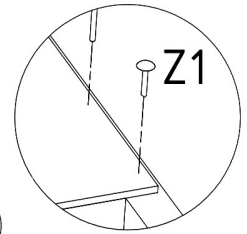
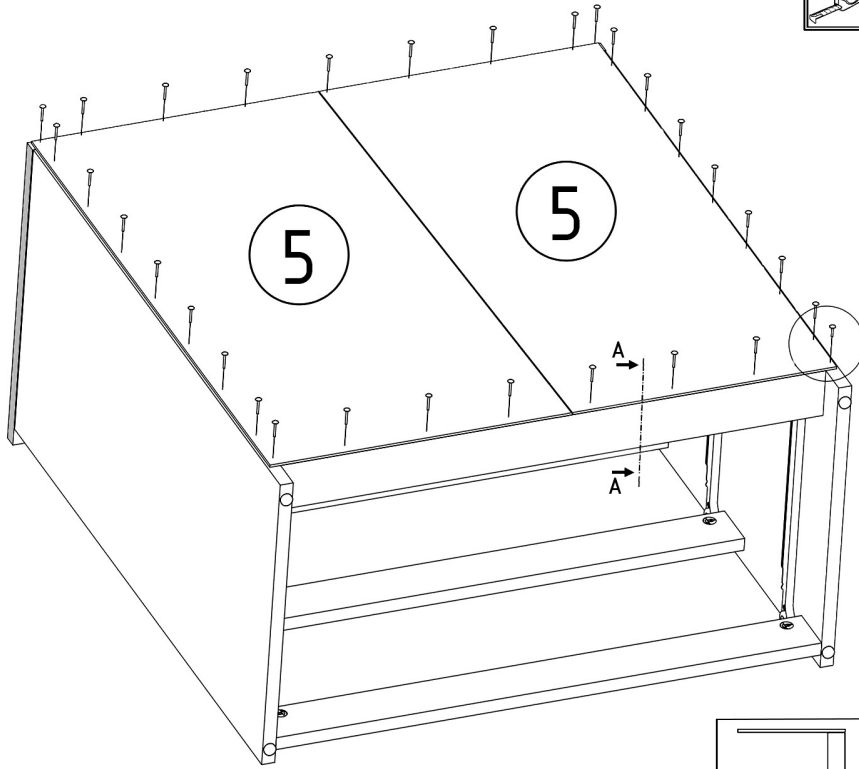
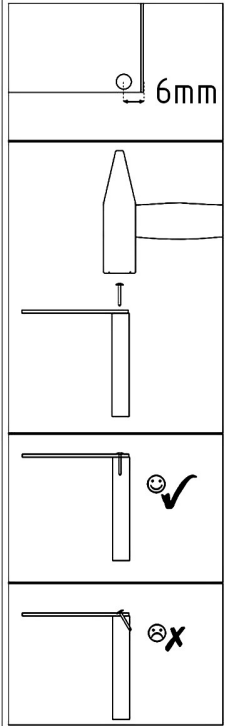
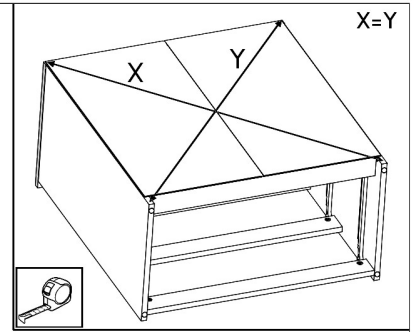
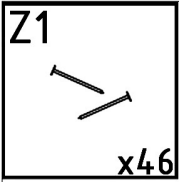
N1



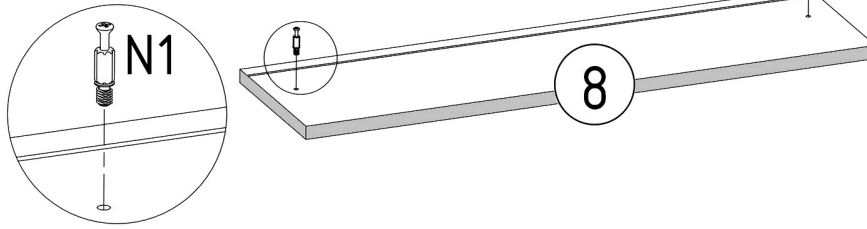
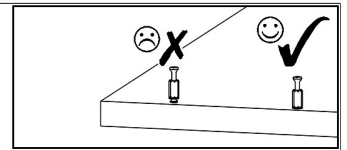
L=35mm

x4

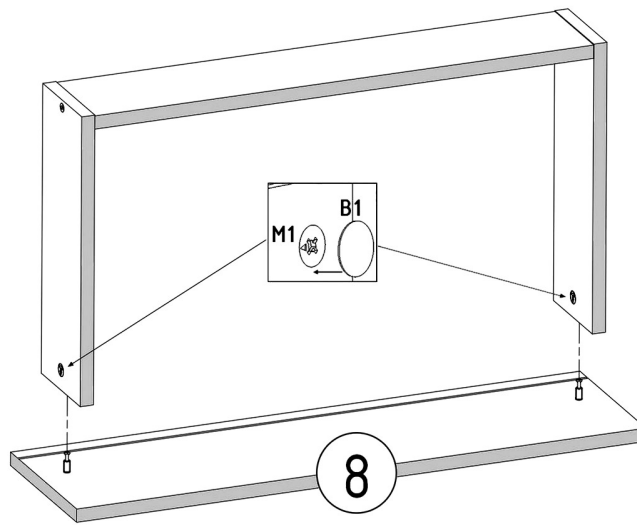
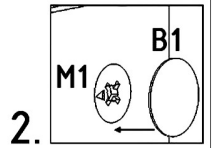
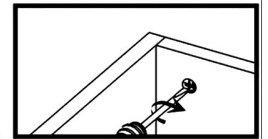
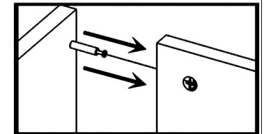
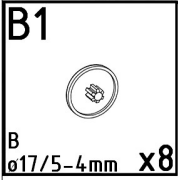




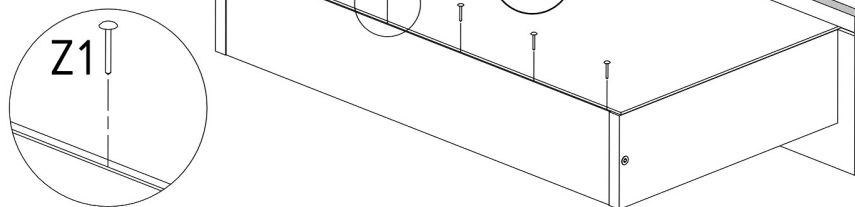
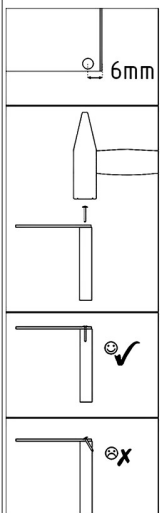
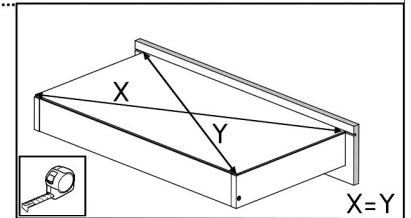
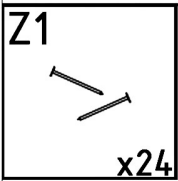
x4



x4



x4



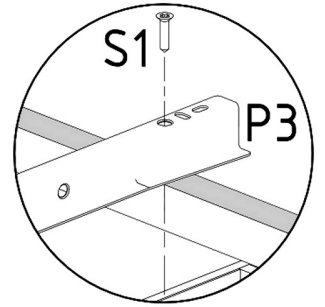
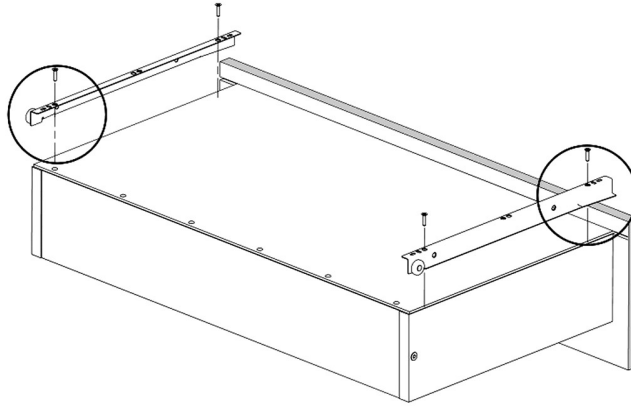
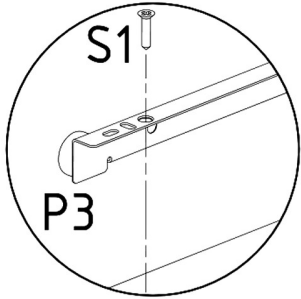
x4

P3

S1



L=350mm x4 3,5x16mm x16



x4

V13



x1

