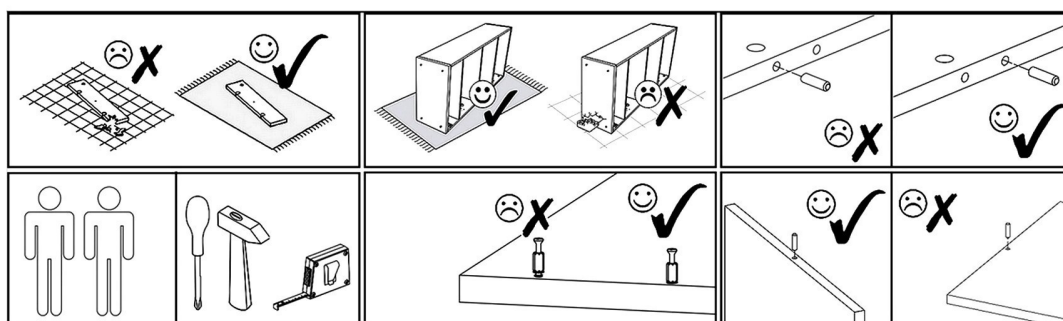
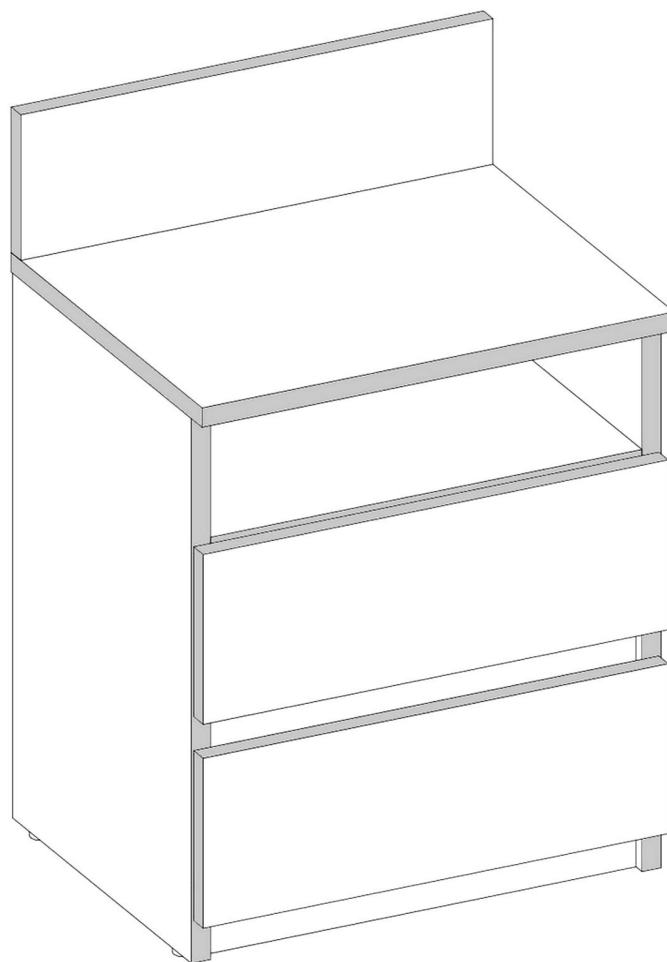






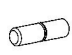


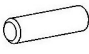






# M1

PRODUCTION DATE

PACKING CODE

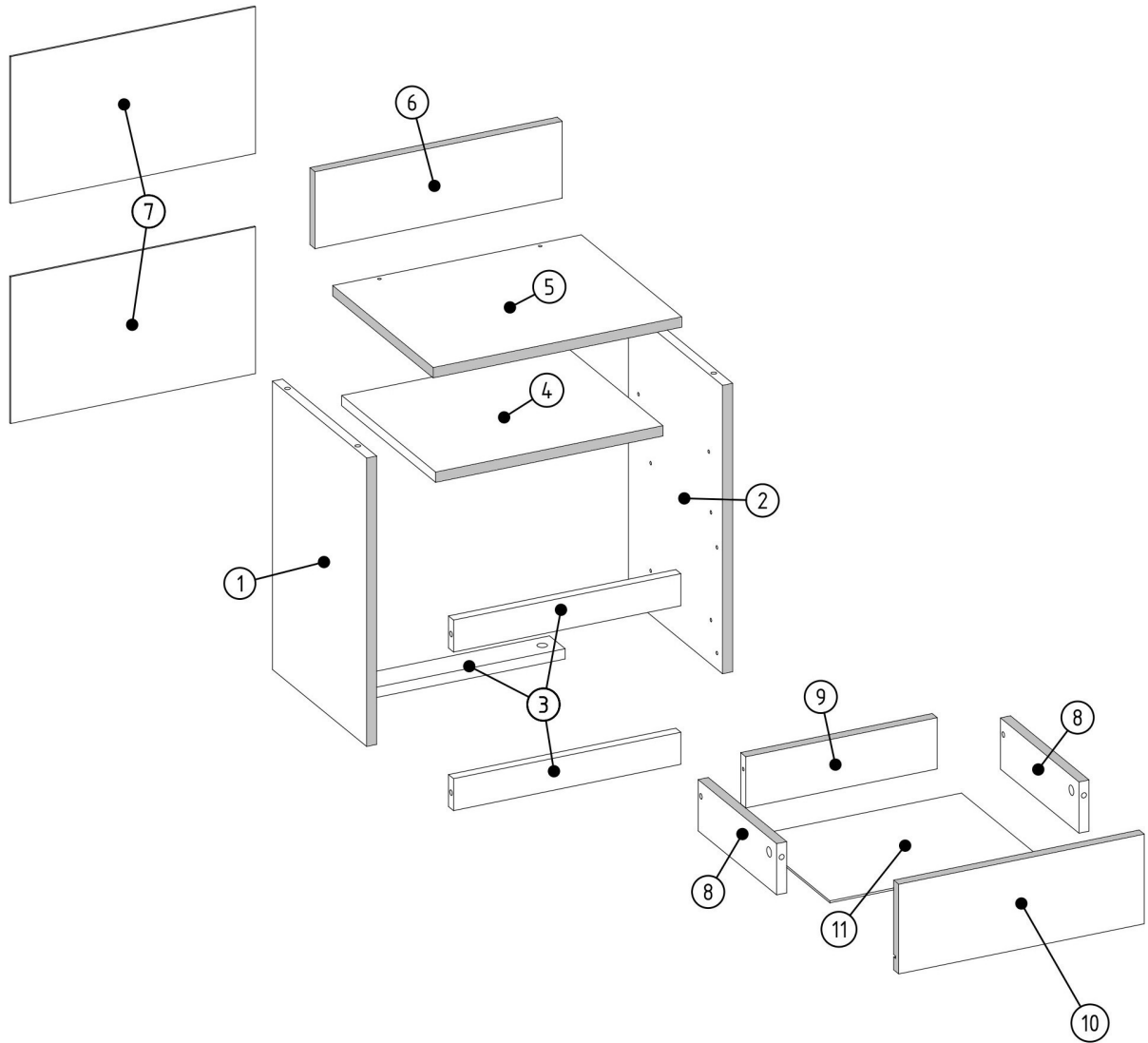


<b>R1</b>  6x8mm x8	<b>S8</b>  4x35mm x2	<b>B1</b>  B ø17/4mm x4	<b>T1</b>  x4	<b>F1</b>  7x50mm x4	<b>F3</b>  Hex 4mm x1	<b>V16</b>  5x16mm x4
<b>N1</b>  L=35mm x10	<b>M1</b>  12x15mm x10	<b>E1</b>  8x30mm x4	<b>S1</b>  3,5x16mm x8	<b>V12</b>  x1	<b>Z1</b>  x30	<b>P1</b>  L=250mm x2







M1

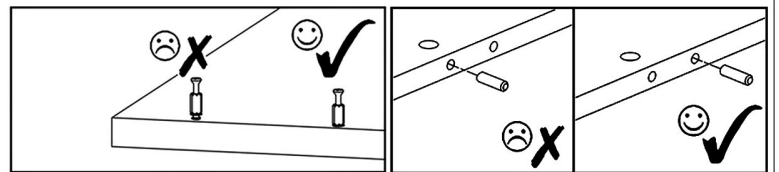
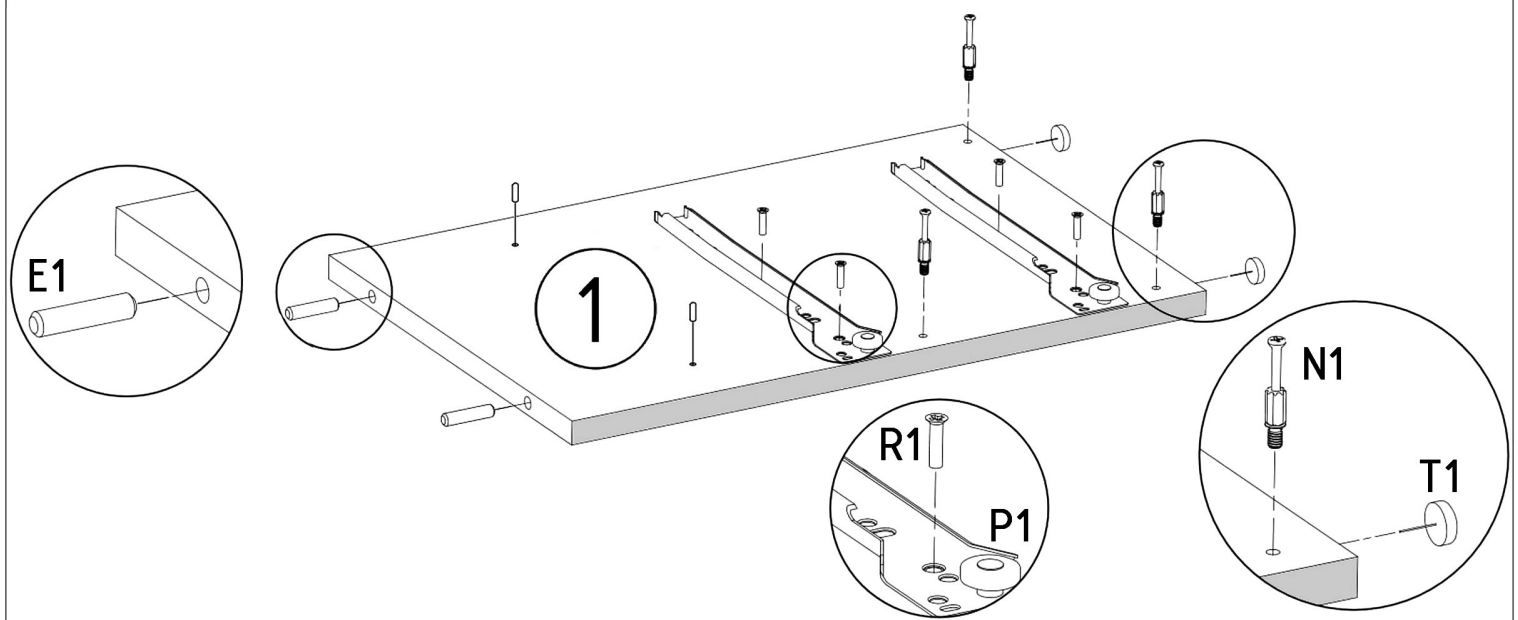
PRODUCTION DATE







PACKING CODE

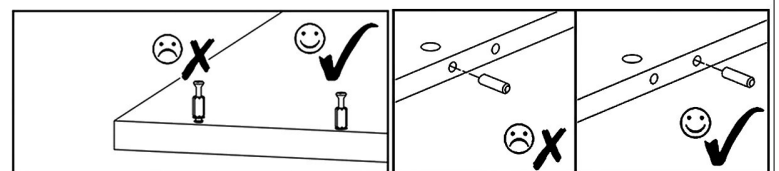
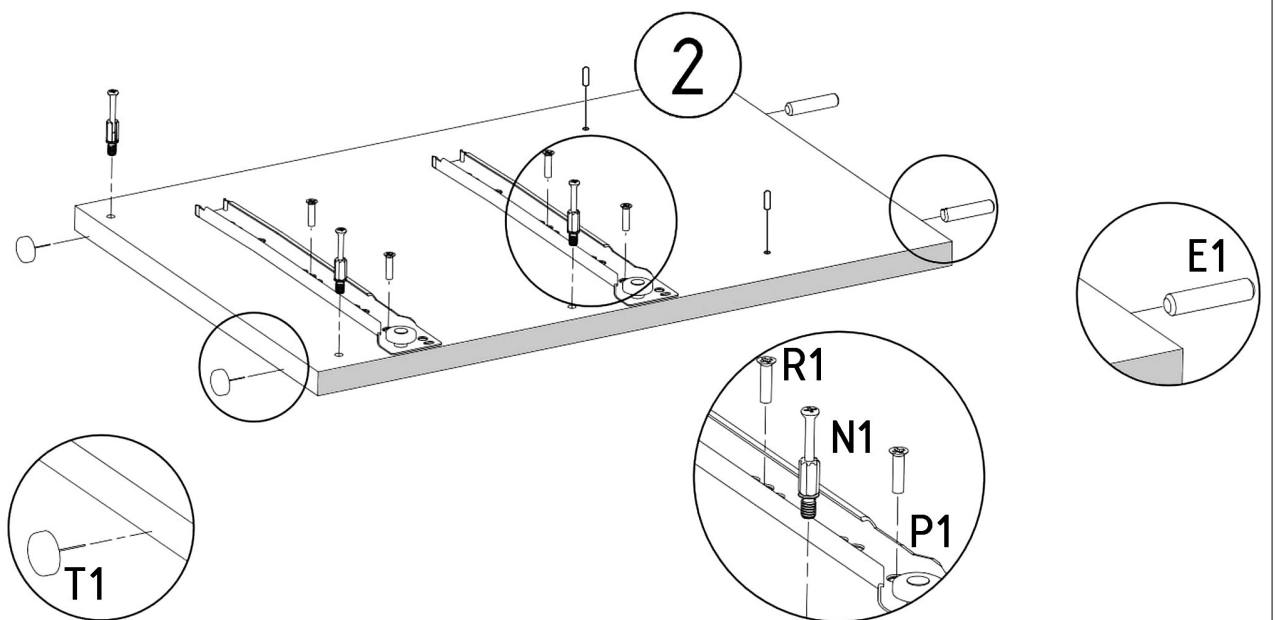


000623	11	2
002238	10	2
002243	9	2
000009	8	4
002239	7	2
002237	6	1
002234	5	1
002240	4	1
000620	3	3
002236	2	1
002235	1	1
ID	NUMBER	QUANTITY

<b>E1</b>  8x30mm	<b>R1</b>  6x8mm	<b>T1</b>  x4	<b>P1</b>  x2 L=250mm	<b>N1</b>  x2 L=35mm	<b>V16</b>  x3 5x16mm	<b>x2</b>
---	---	--	--	---	---	-----------



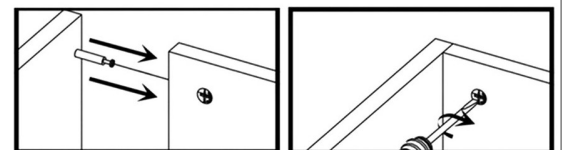
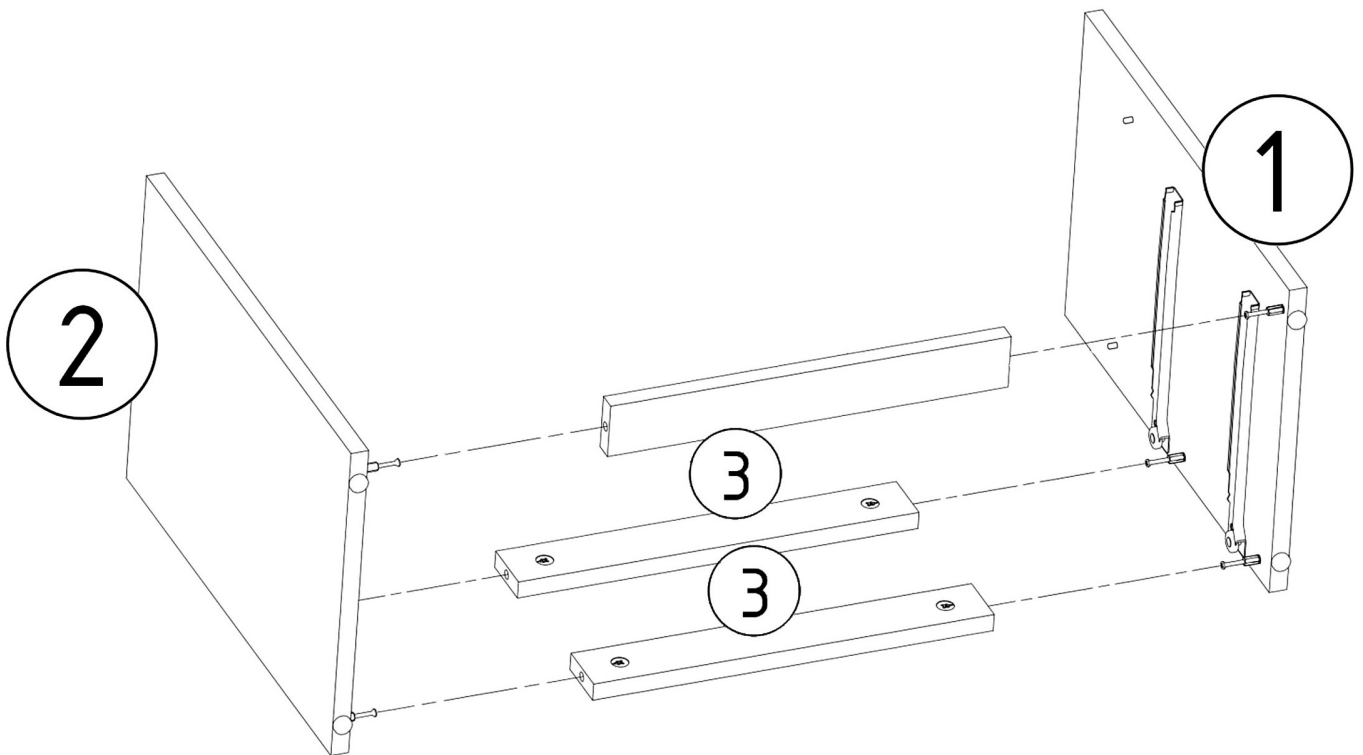
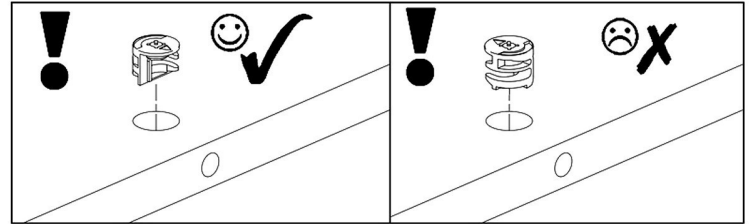
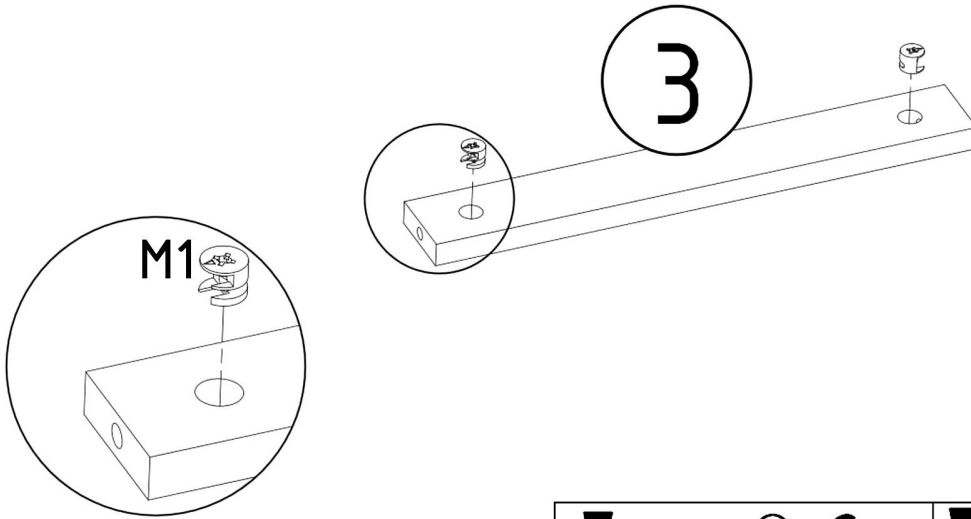
<b>E1</b>  8x30mm	<b>R1</b>  6x8mm	<b>T1</b>  x4	<b>P1</b>  x2 L=250mm	<b>N1</b>  x2 L=35mm	<b>V16</b>  x3 5x16mm	<b>x2</b>
---	---	--	--	---	---	-----------



M1



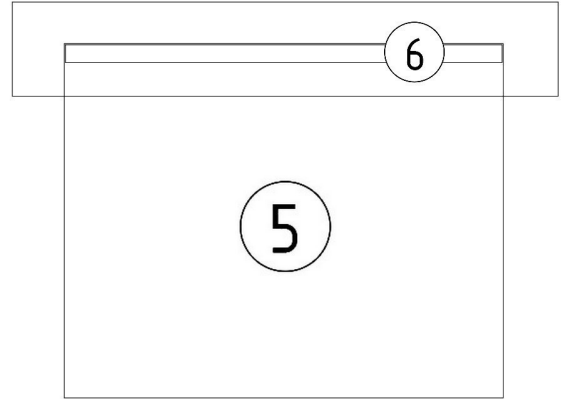
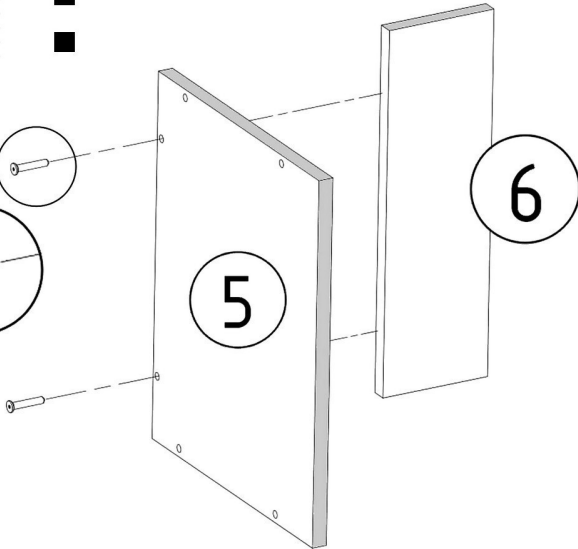
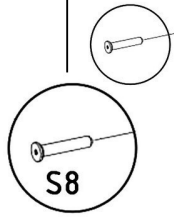
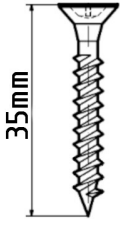
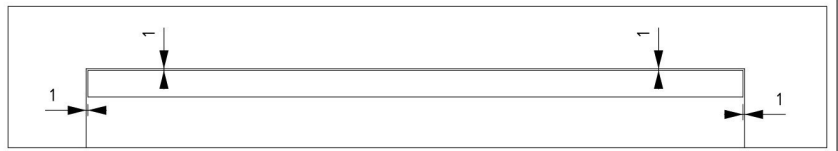
12x15mm x6



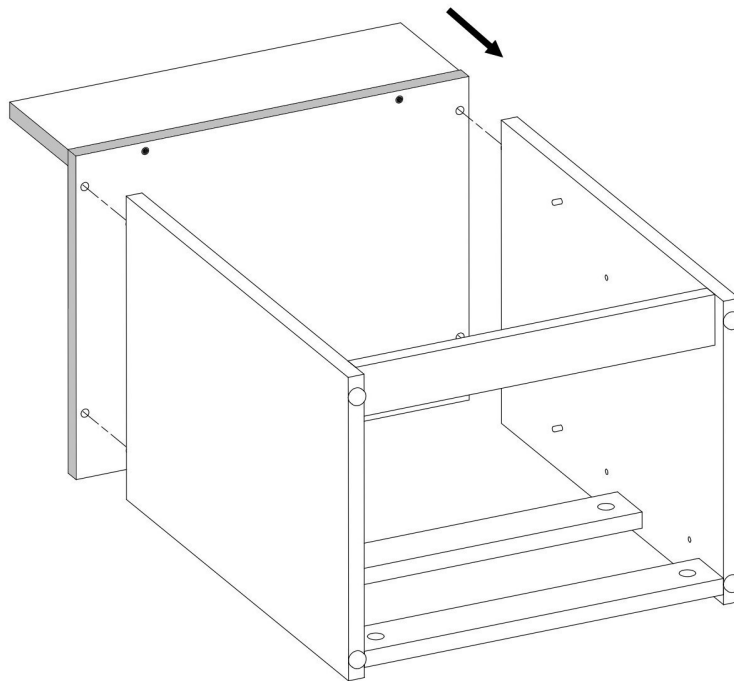
S8

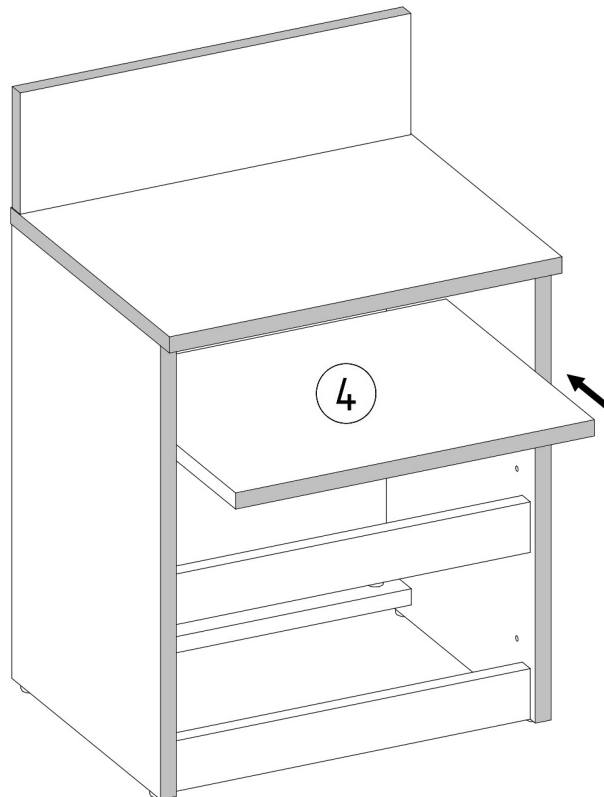
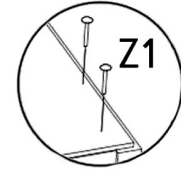
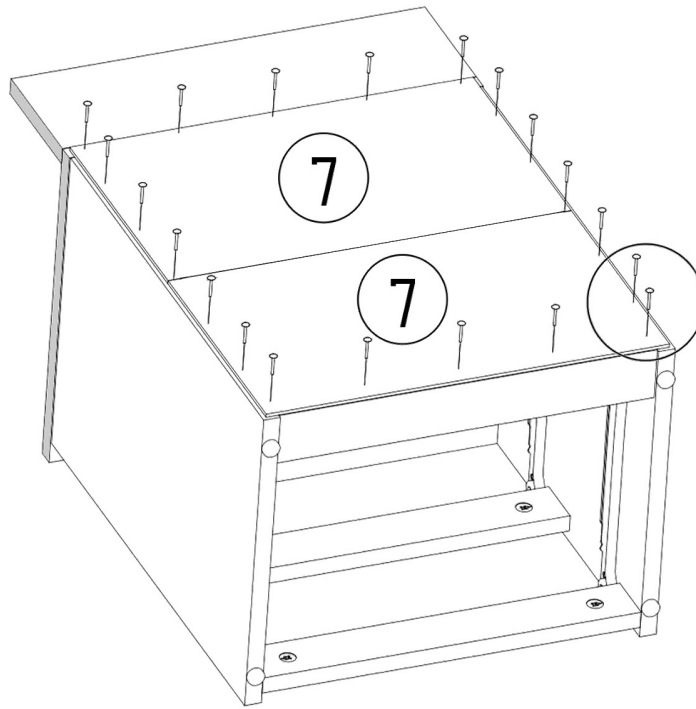
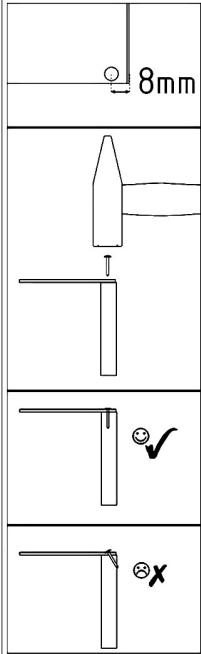
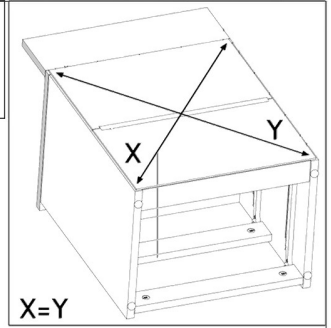
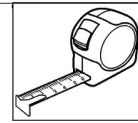
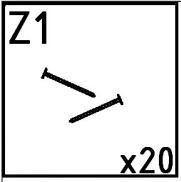



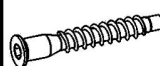
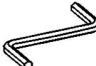
4x35mm x2









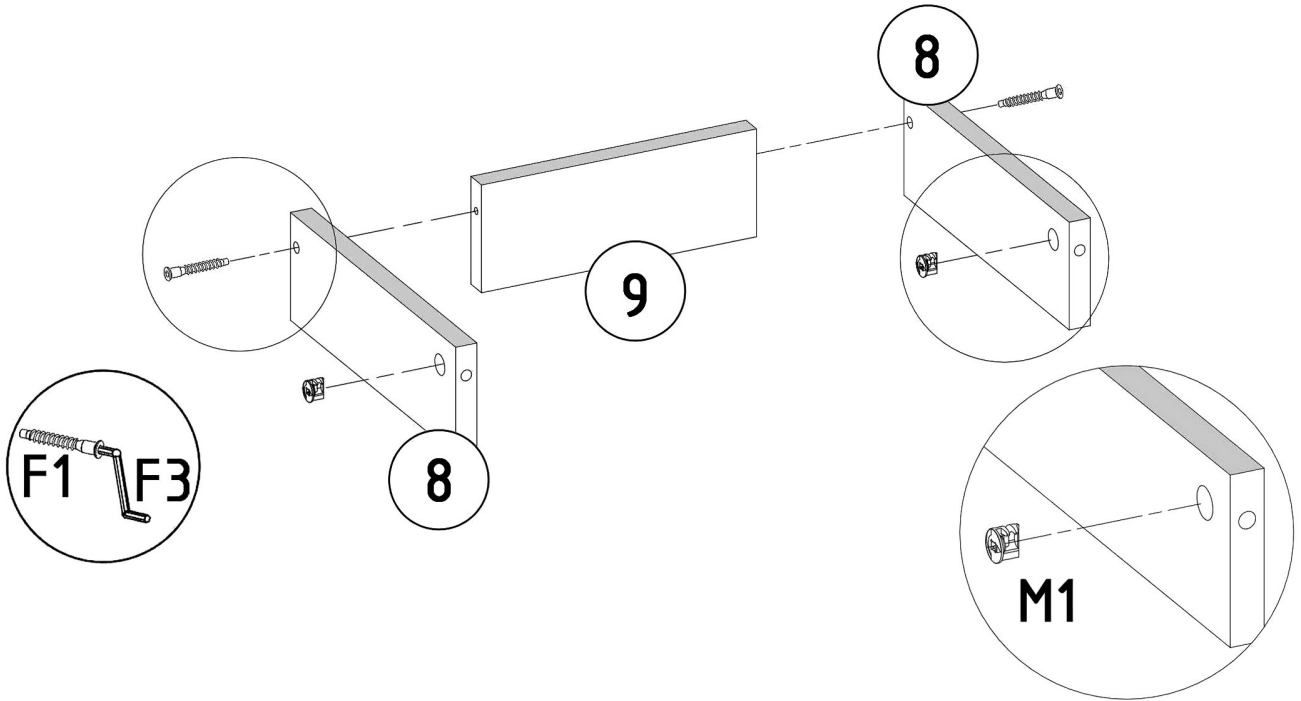
V12







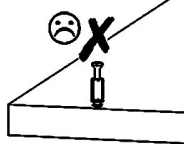


<p><b>M1</b></p>  <p>12x15mm <b>X4</b></p>	<p><b>F1</b></p>  <p>7x50mm <b>X4</b></p>	<p><b>F3</b></p>  <p>Hex 4mm</p>
--	---	--

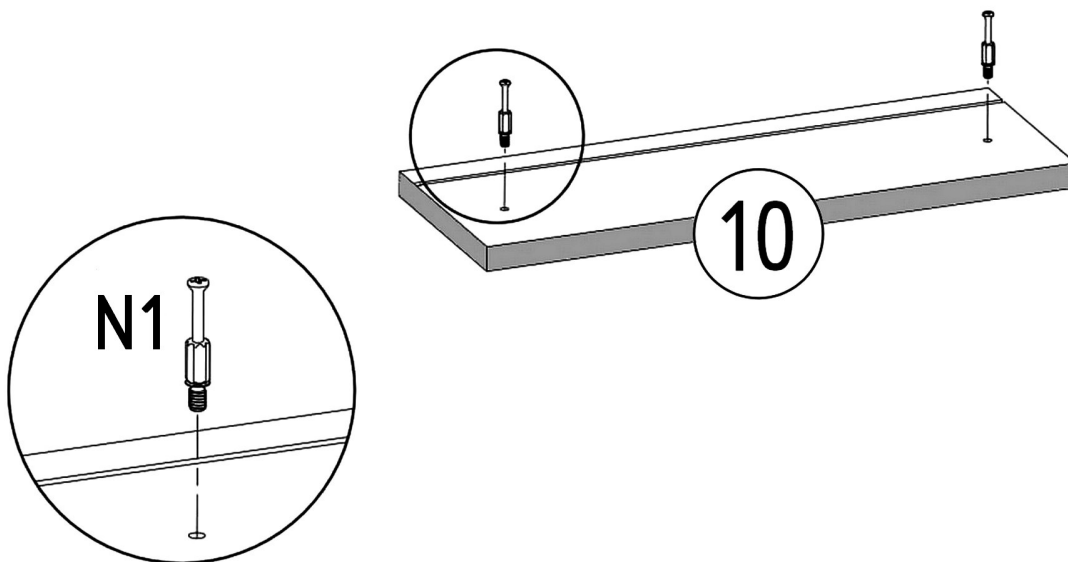
  	  
---	--



x2

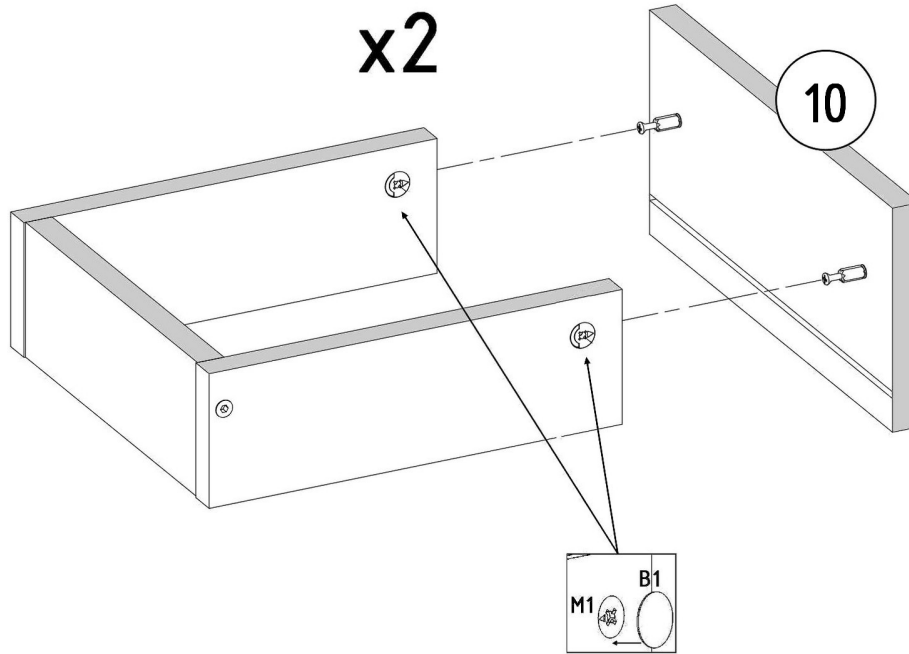
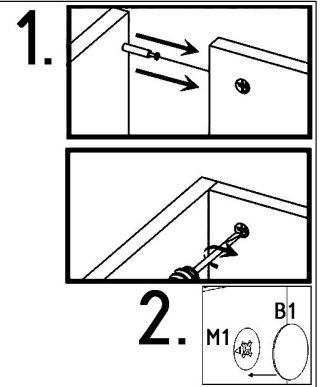
<p><b>N1</b></p>  <p>L=35mm <b>X4</b></p>
---

   
---

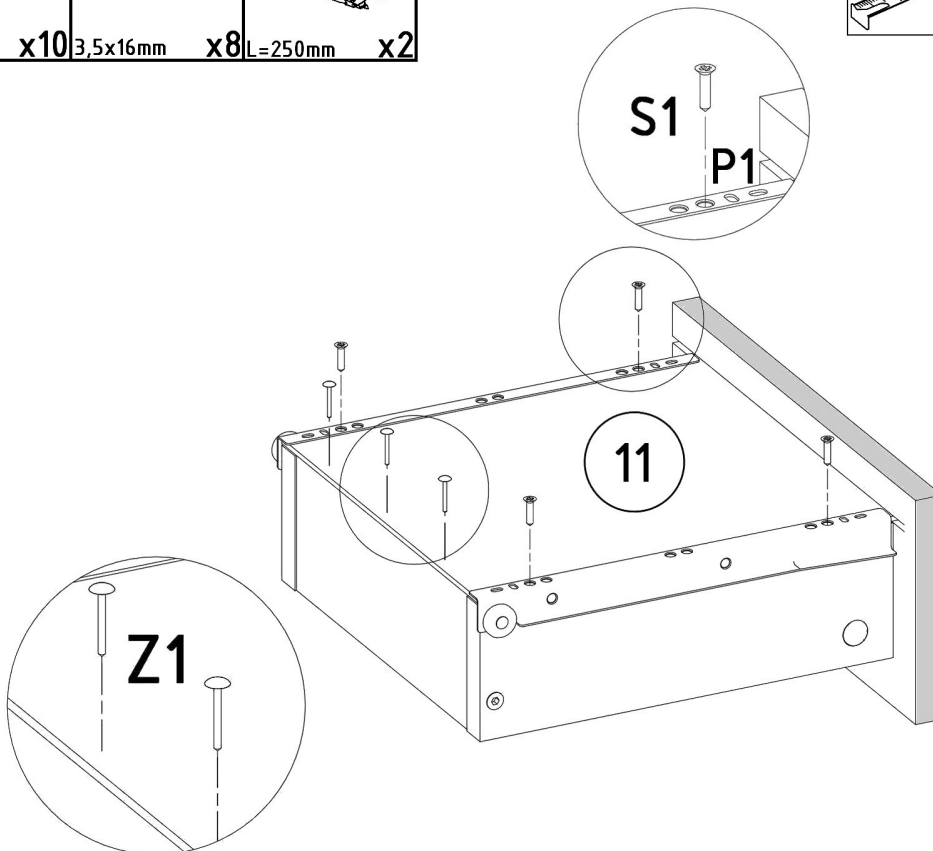
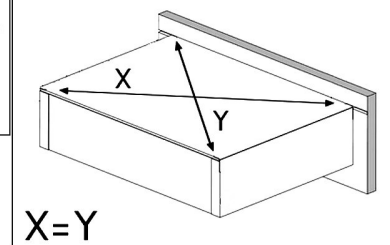
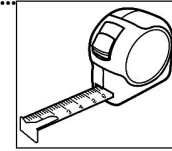
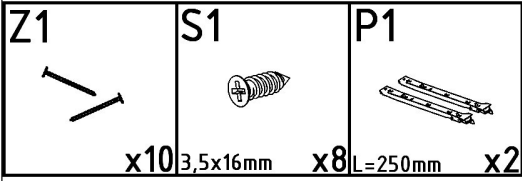


x2

B1


 $\varnothing 17.4\text{mm}$  x4


x2



x2

