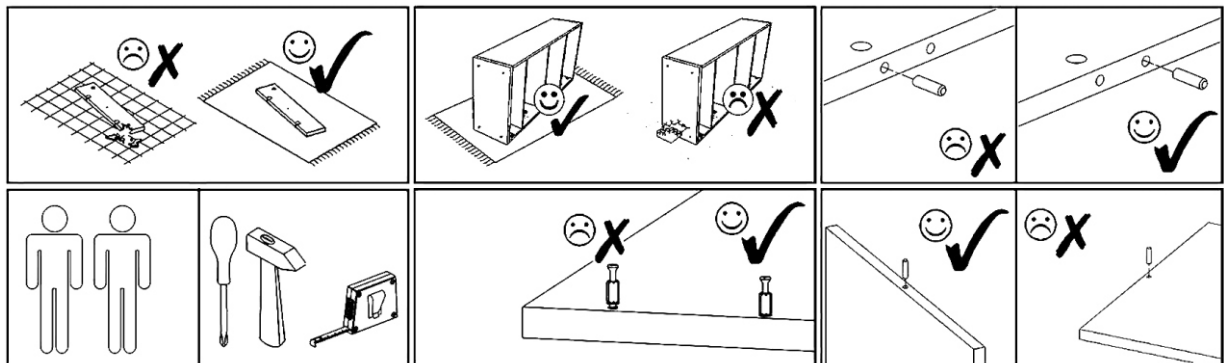
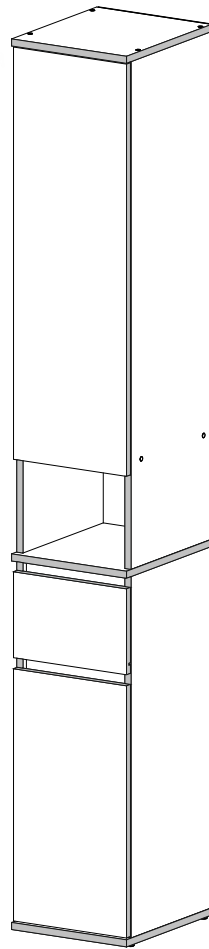


LIOR 2D1S

PRODUCTION DATE

PACKING CODE

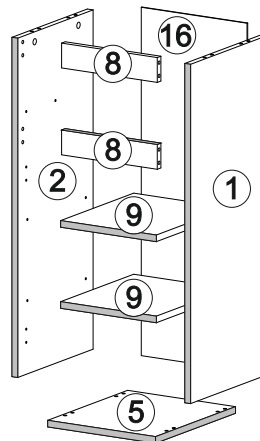
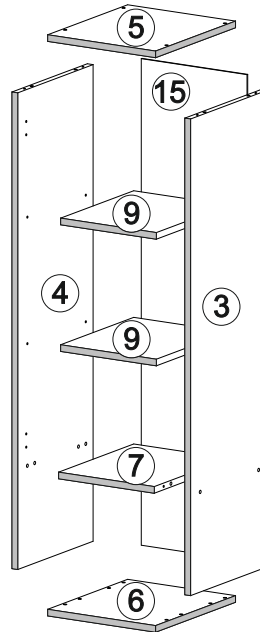
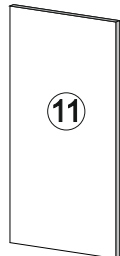
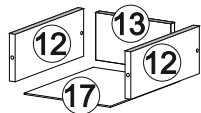
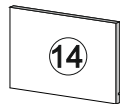
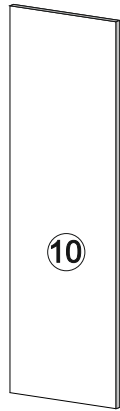


A1 ZP x4	R1 6x8mm x4	S1 3,5x16mm x14	F3 Hex 4mm x1	F1 7x50mm x18	M1 12x15mm x6	N1 L=35mm x6	V16 5x16mm x16
E1 8x30mm x20	E3 8x50mm x4	Z1 x70	T1 x4	V15 x5	V41 L=300mm x1	P2 x1	B2 CZ ø12/4mm x4
B2 Ant ø12/4mm x4	B2 S/A ø12/4mm x4	B2 B ø12/4mm x4	B1 B ø17/4mm x2	V12 10-12ml x1			

LIOR 2D1S



PRODUCTION DATE

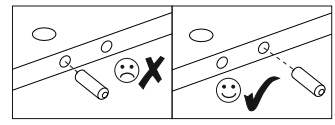
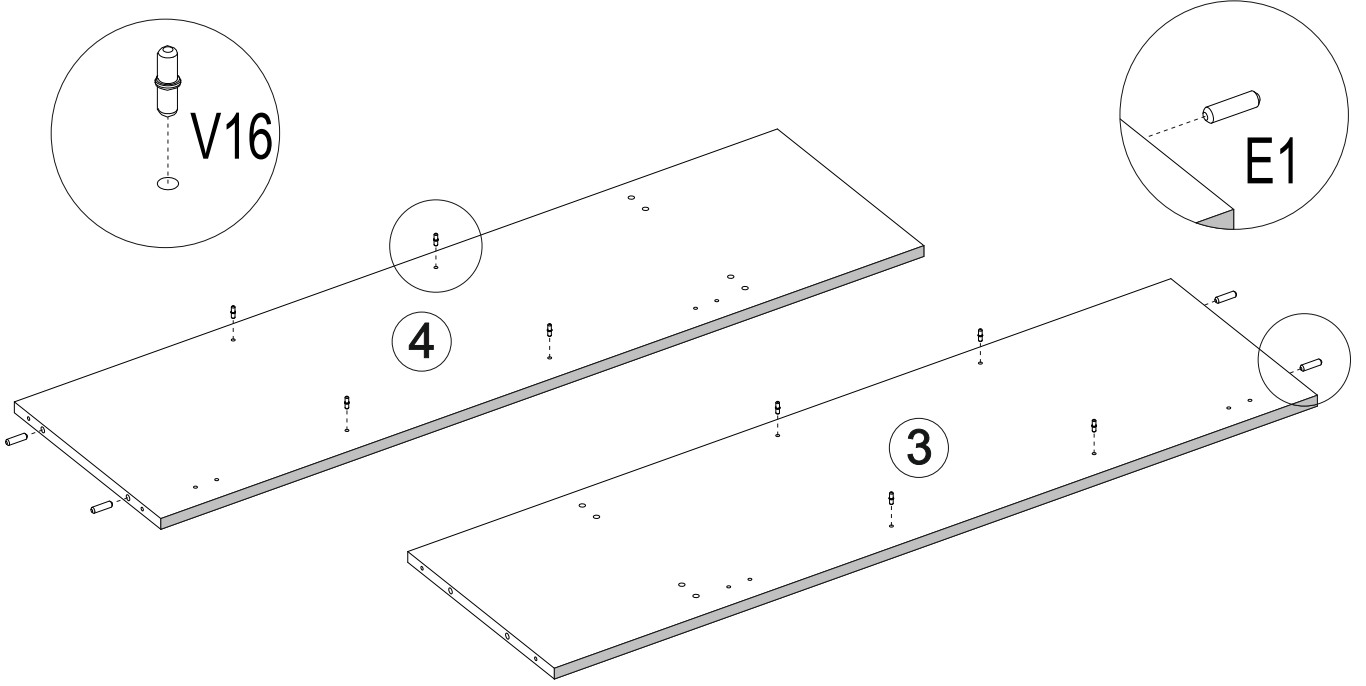
PACKING CODE









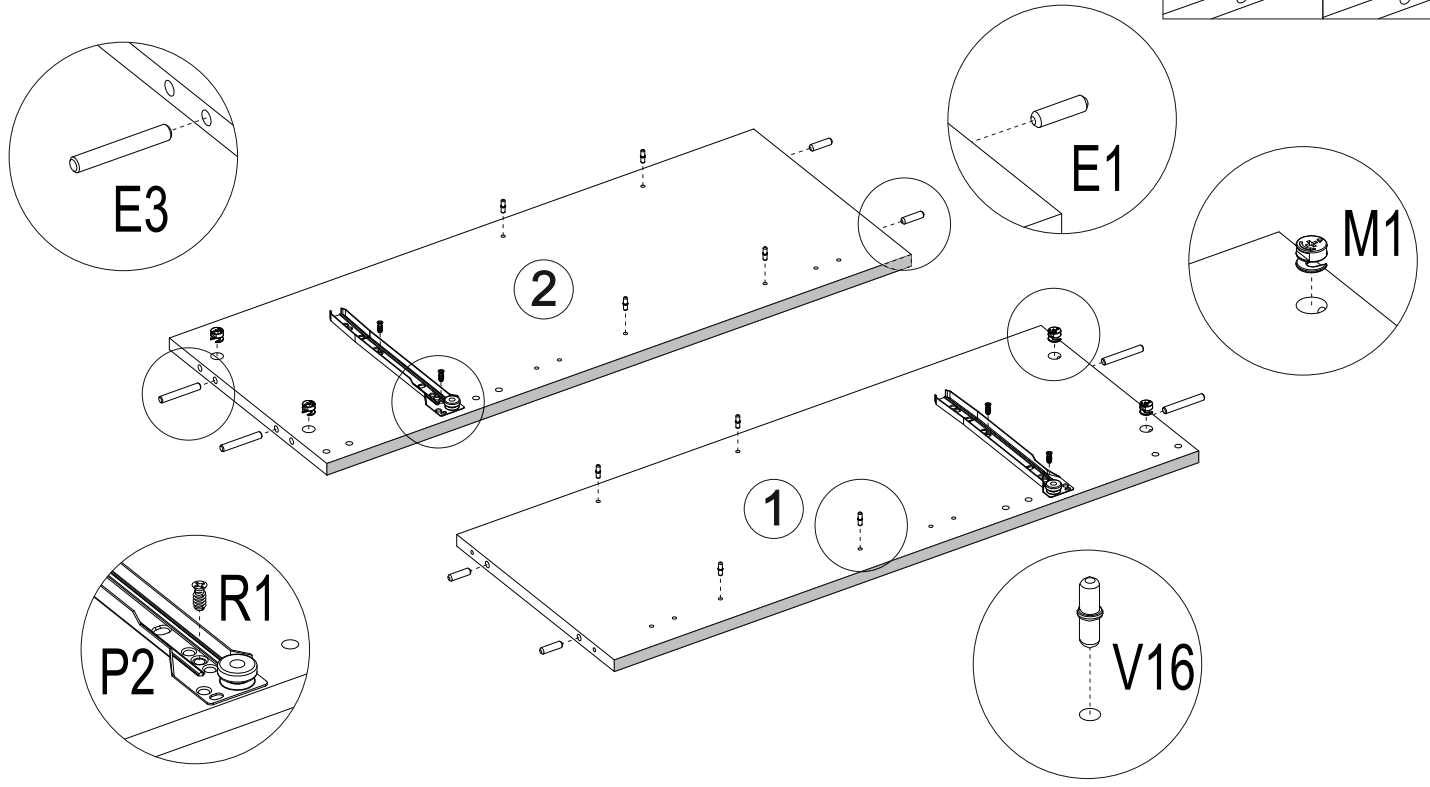
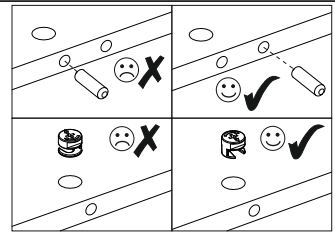
002047	1	1
002048	2	1
002036	3	1
002037	4	1
002033	5	2
002041	6	1
002040	7	1
002046	8	2
002042	9	4
ID	NUMBER	QUANTITY

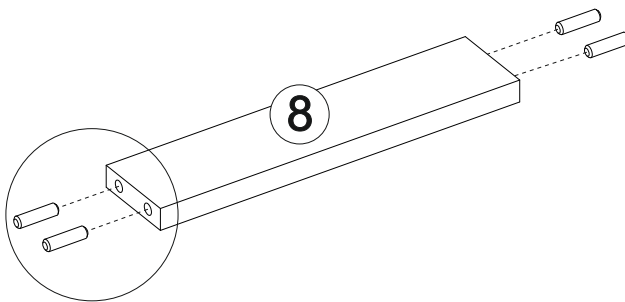
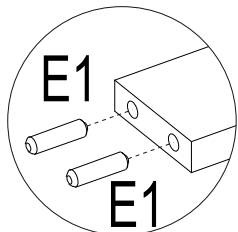
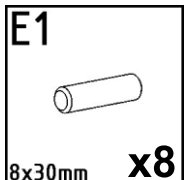
002045	10	1
002035	11	1
001361	12	2
002038	13	1
002034	14	1
002044	15	1
002043	16	1
002039	17	1

E1  8x30mm x4	V16  5x16mm x8
---	---

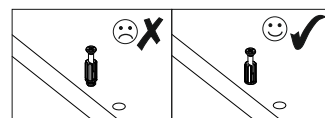
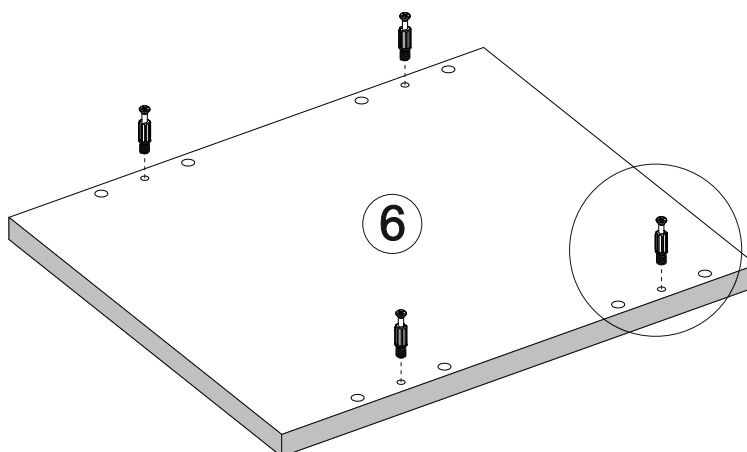
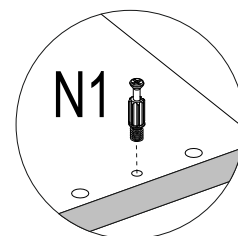
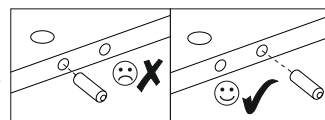
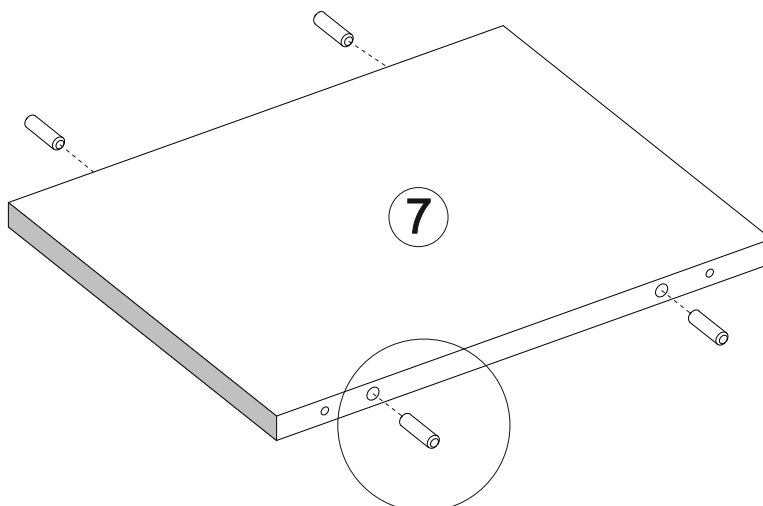
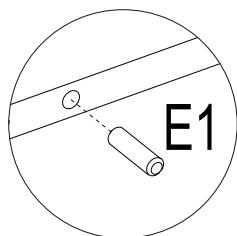
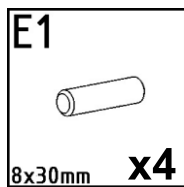
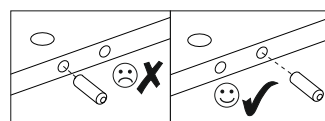


E1  8x30mm x4	V16  5x16mm x8	M1  12x15mm x4	P2  L=300mm x1	R1  6x8mm x4	E3  8x50mm x4
---	---	---	---	---	---

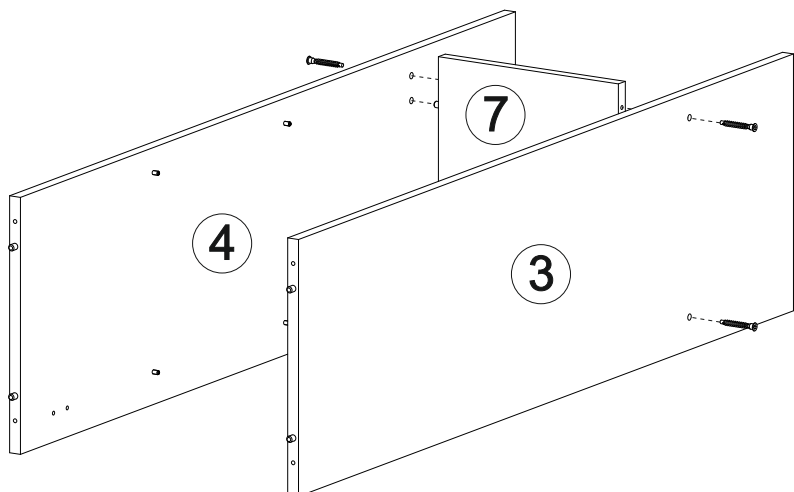
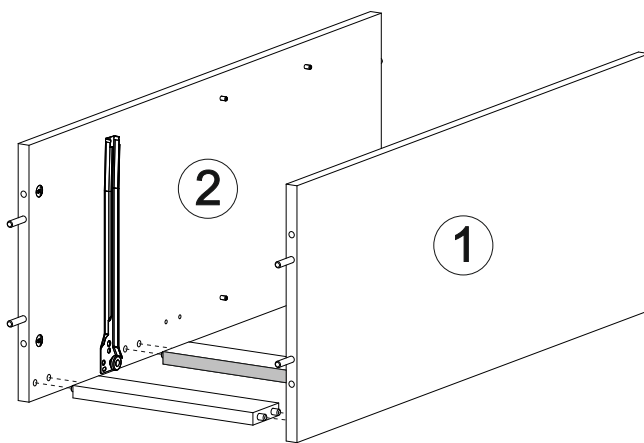
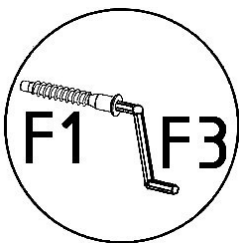




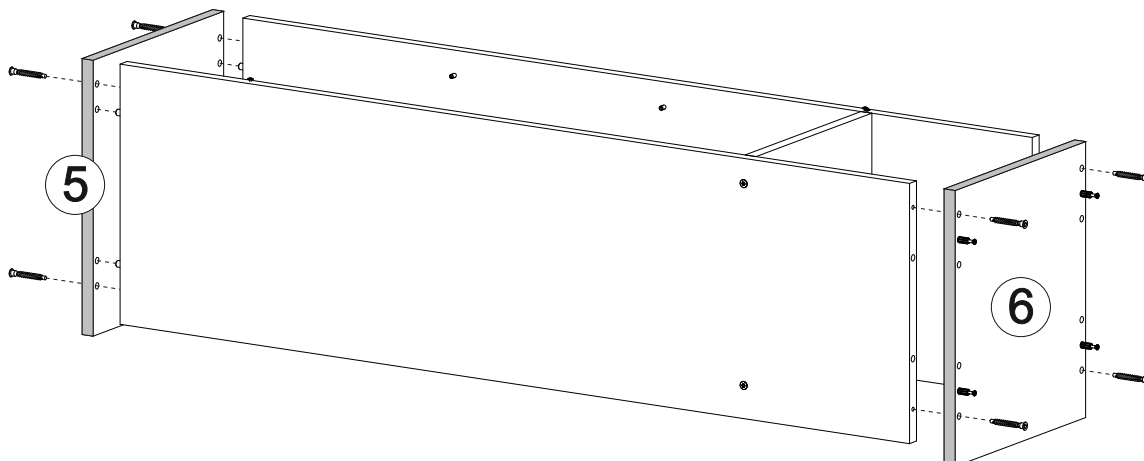
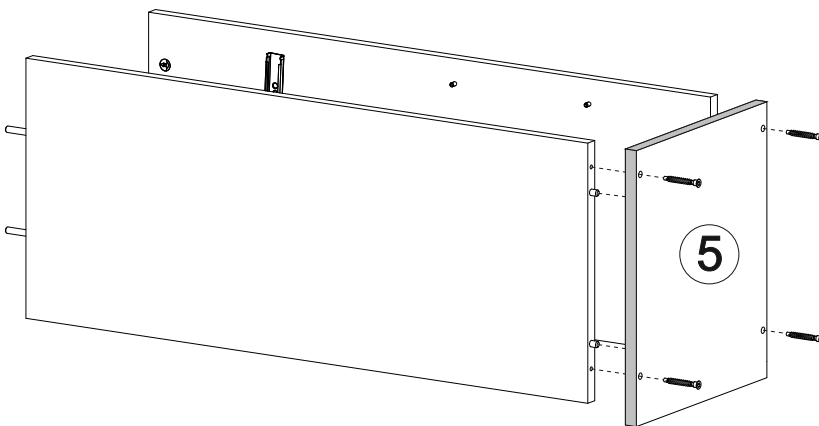
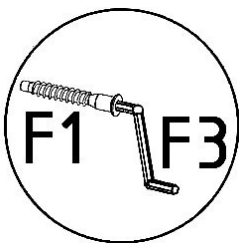
x2

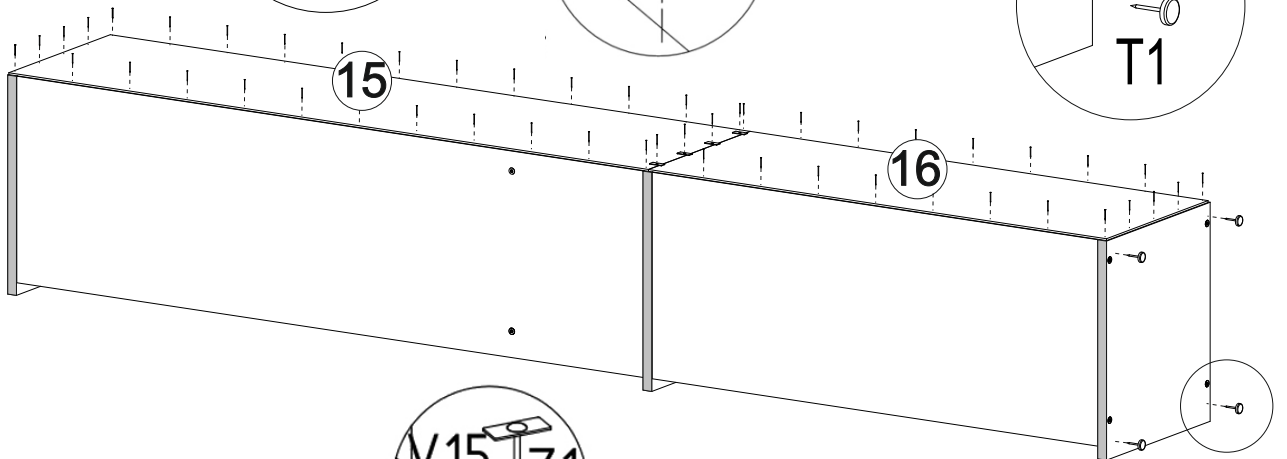
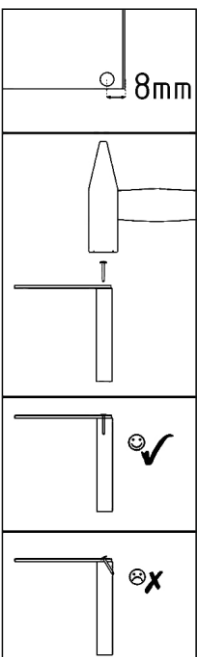
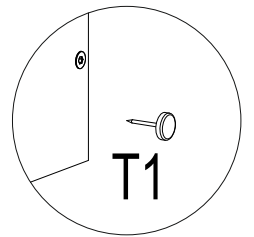
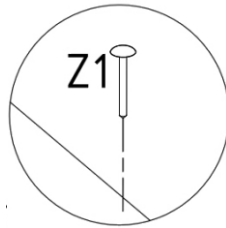
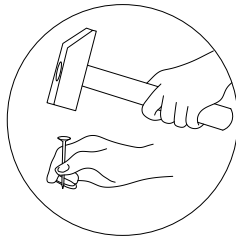
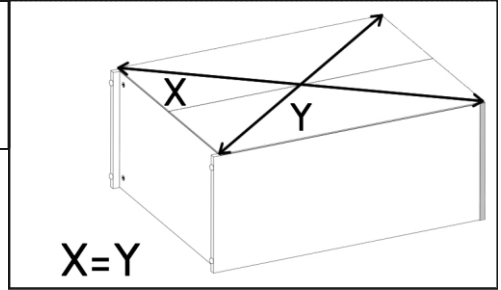
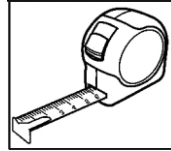
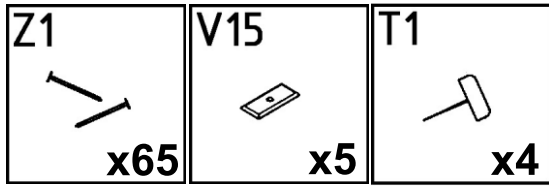
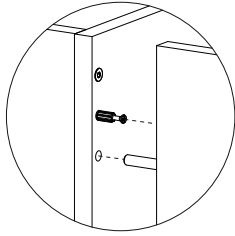
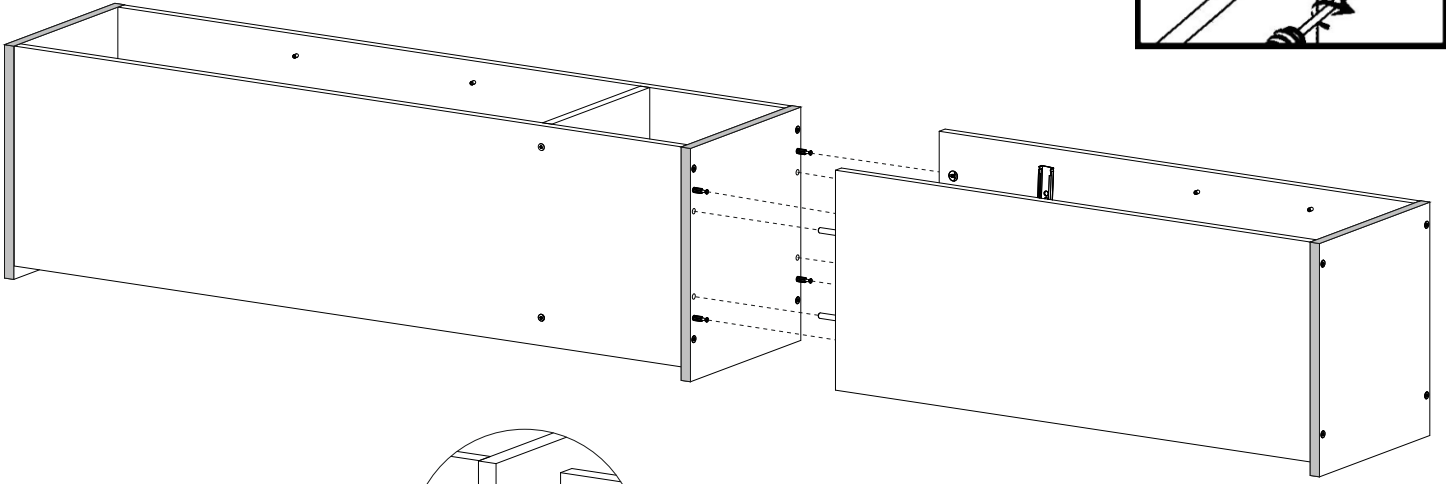
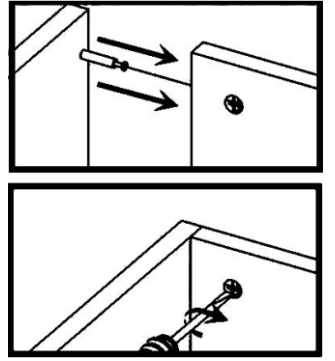


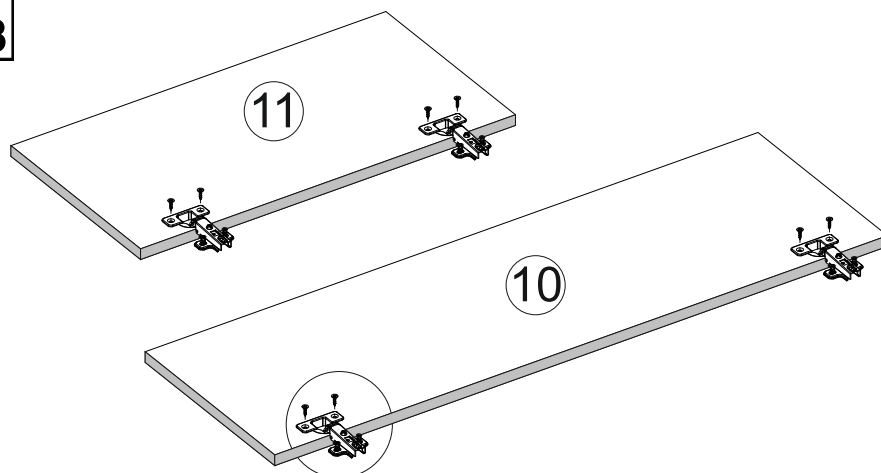
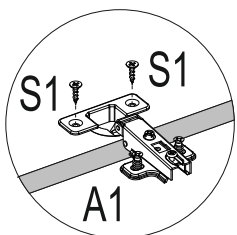
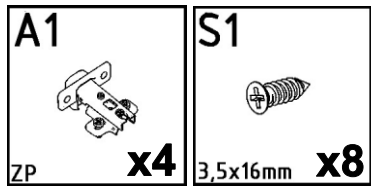
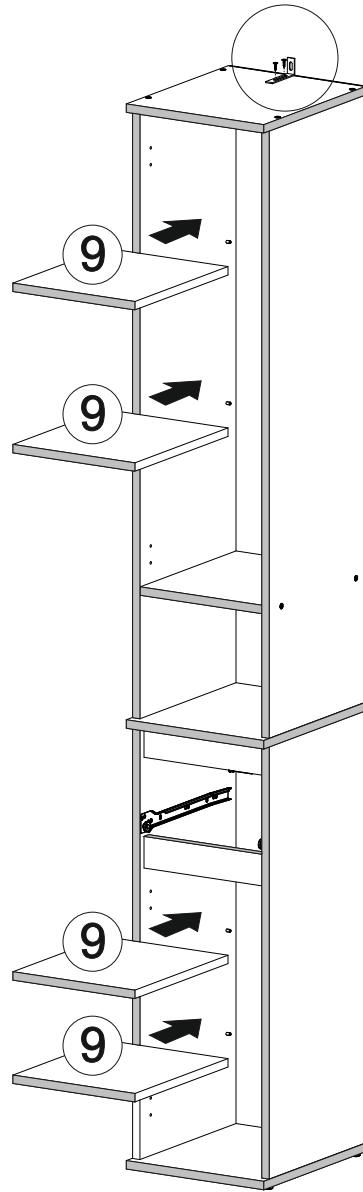
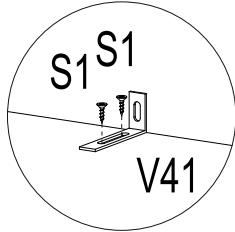
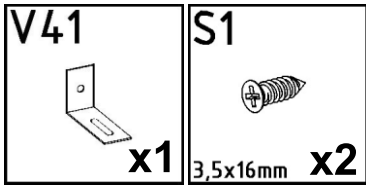
F1
7x50mm x4

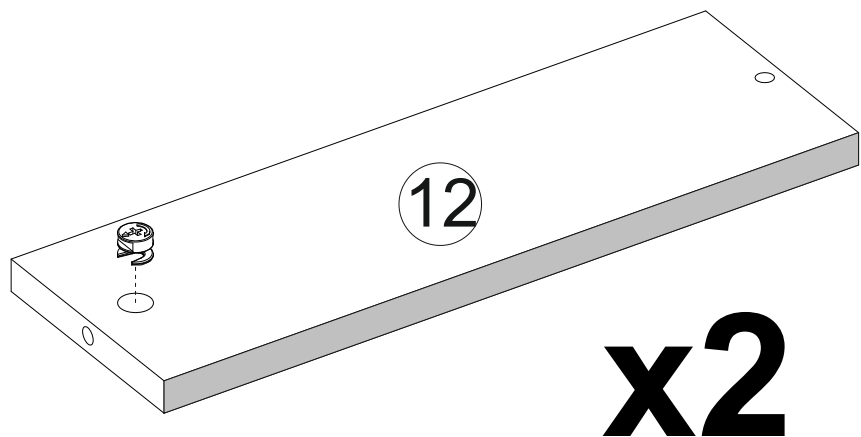
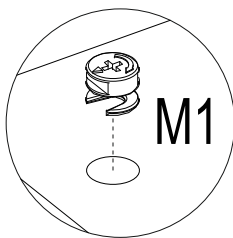
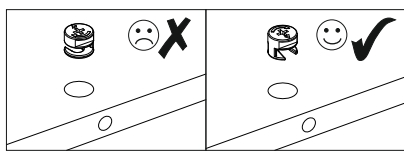
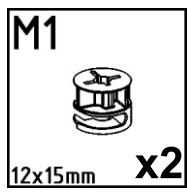
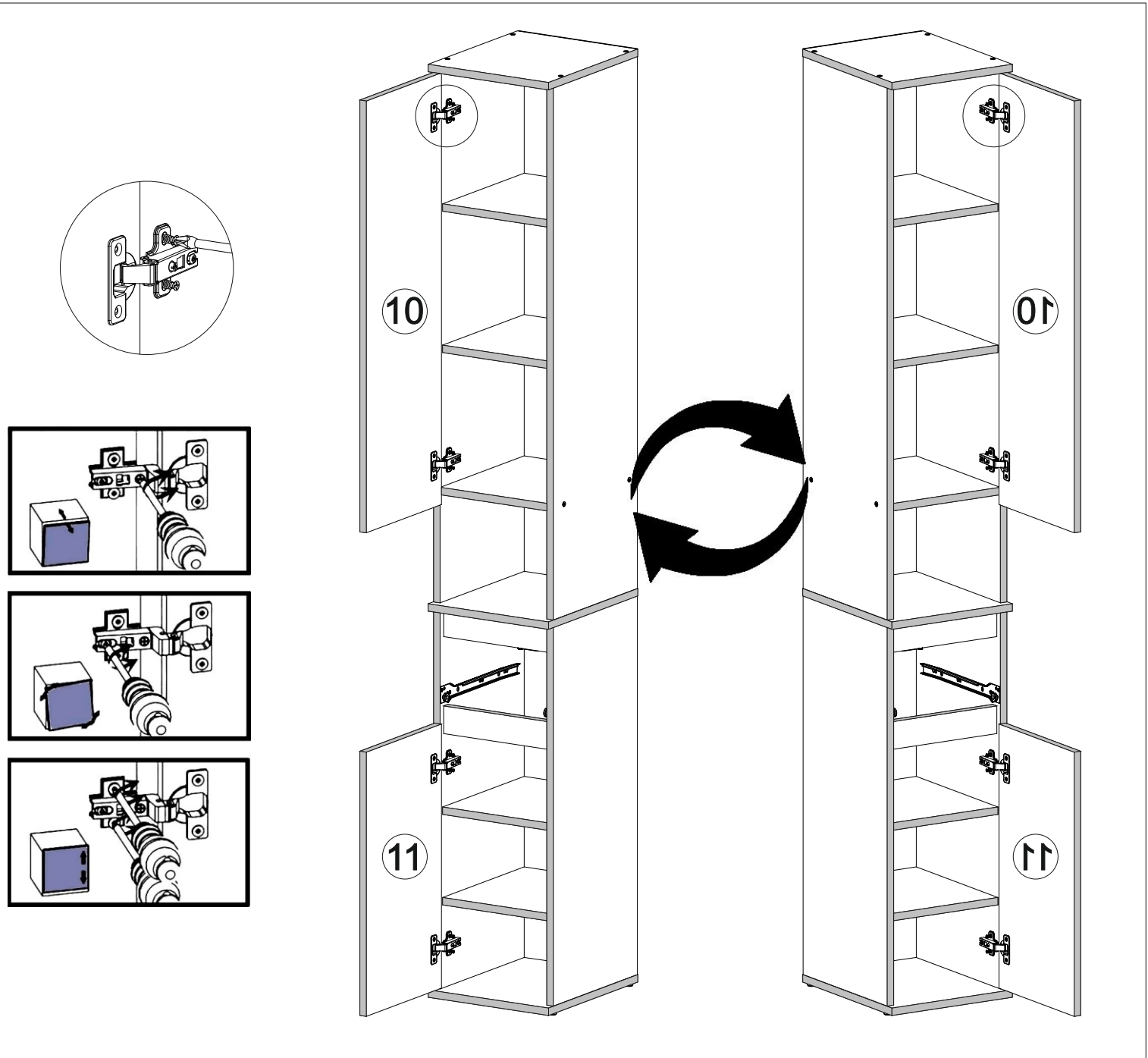


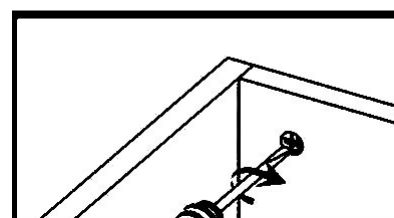
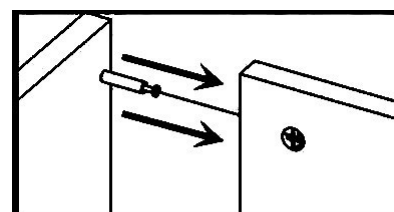
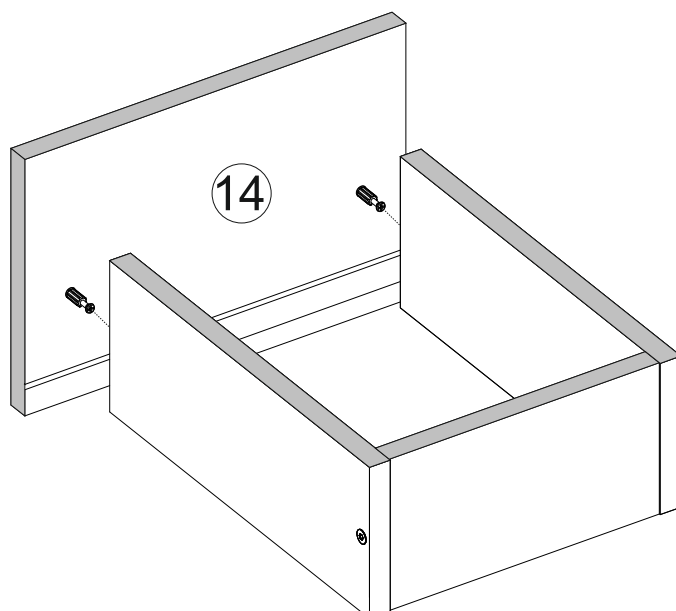
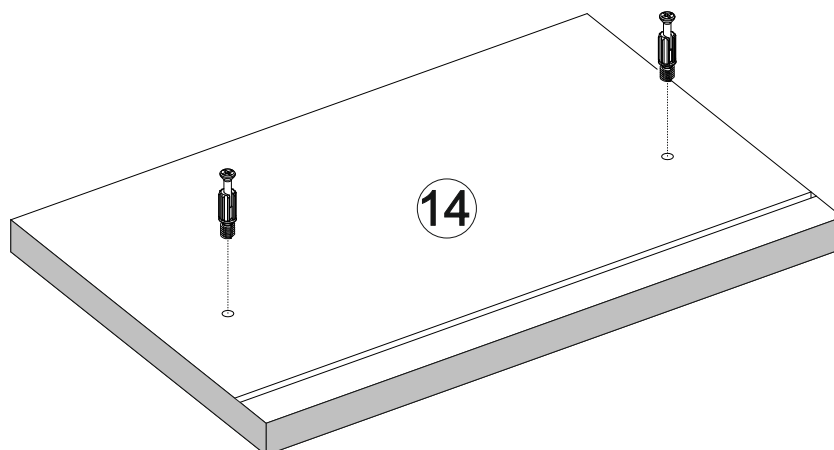
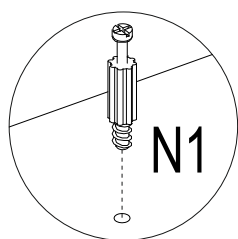
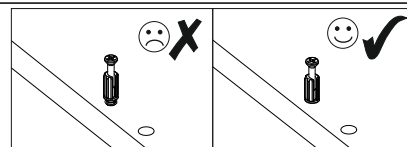
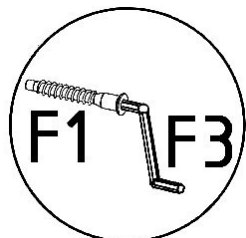
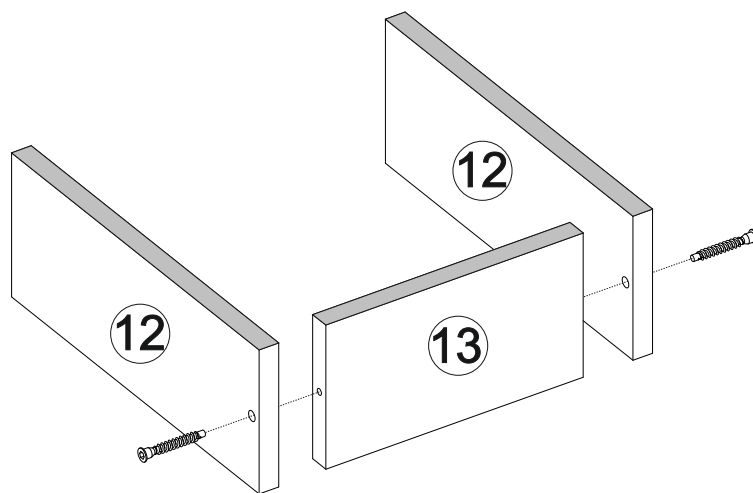
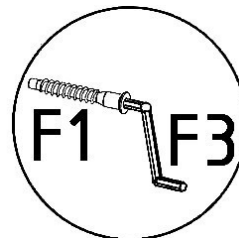
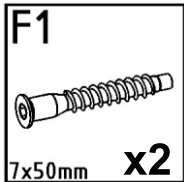
F1
7x50mm x12



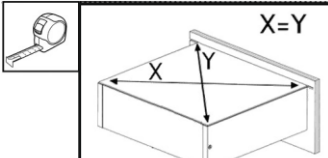
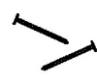






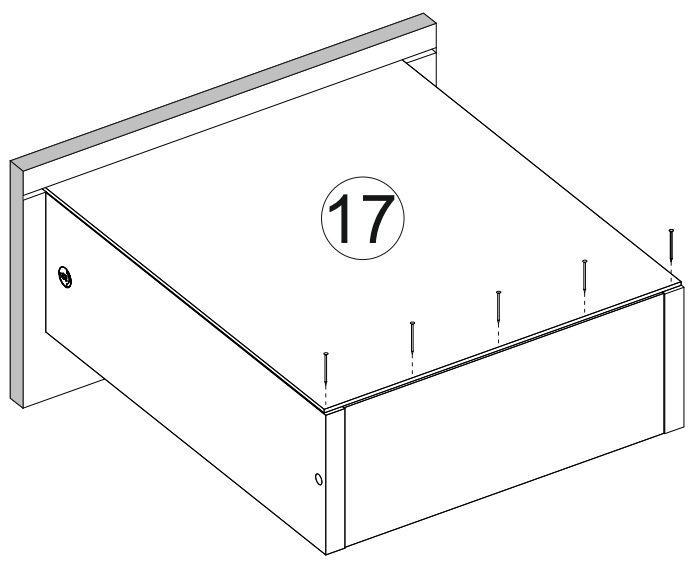
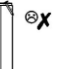


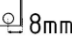


Z1
x5

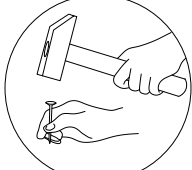



X=Y


8mm



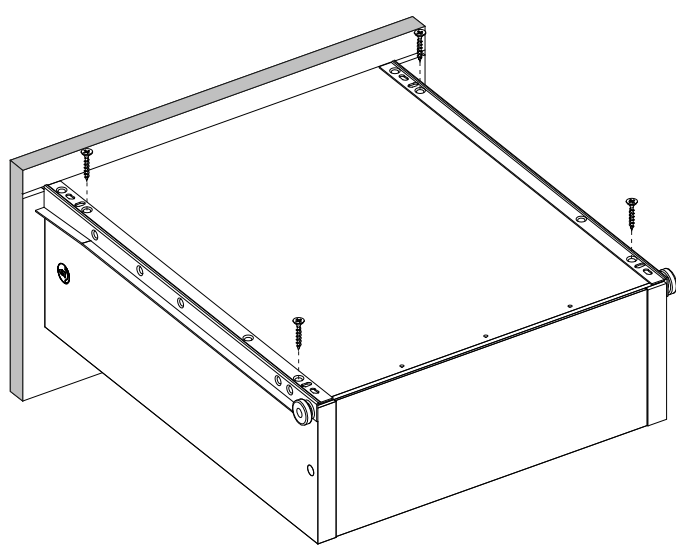

Z1



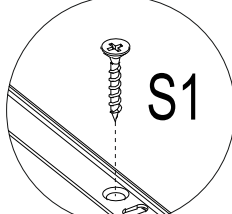
P2
L=300mm x1




S1
3,5x16mm x4




S1



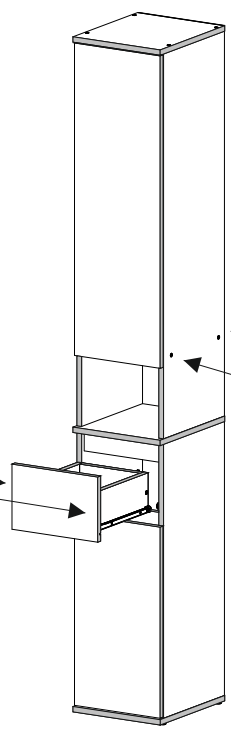
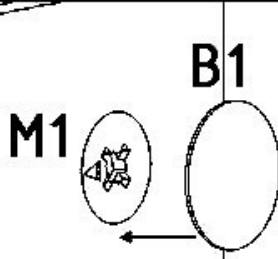
B2
ø12/4mm x4



B1
ø17/4mm x2



M1 B1



B2 F1

