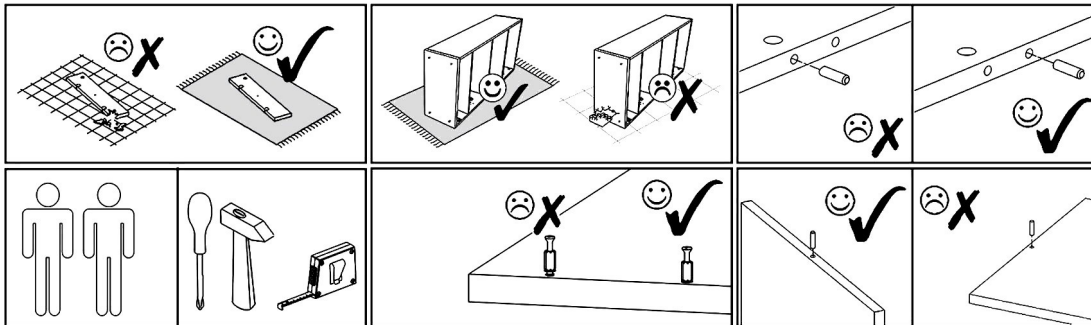
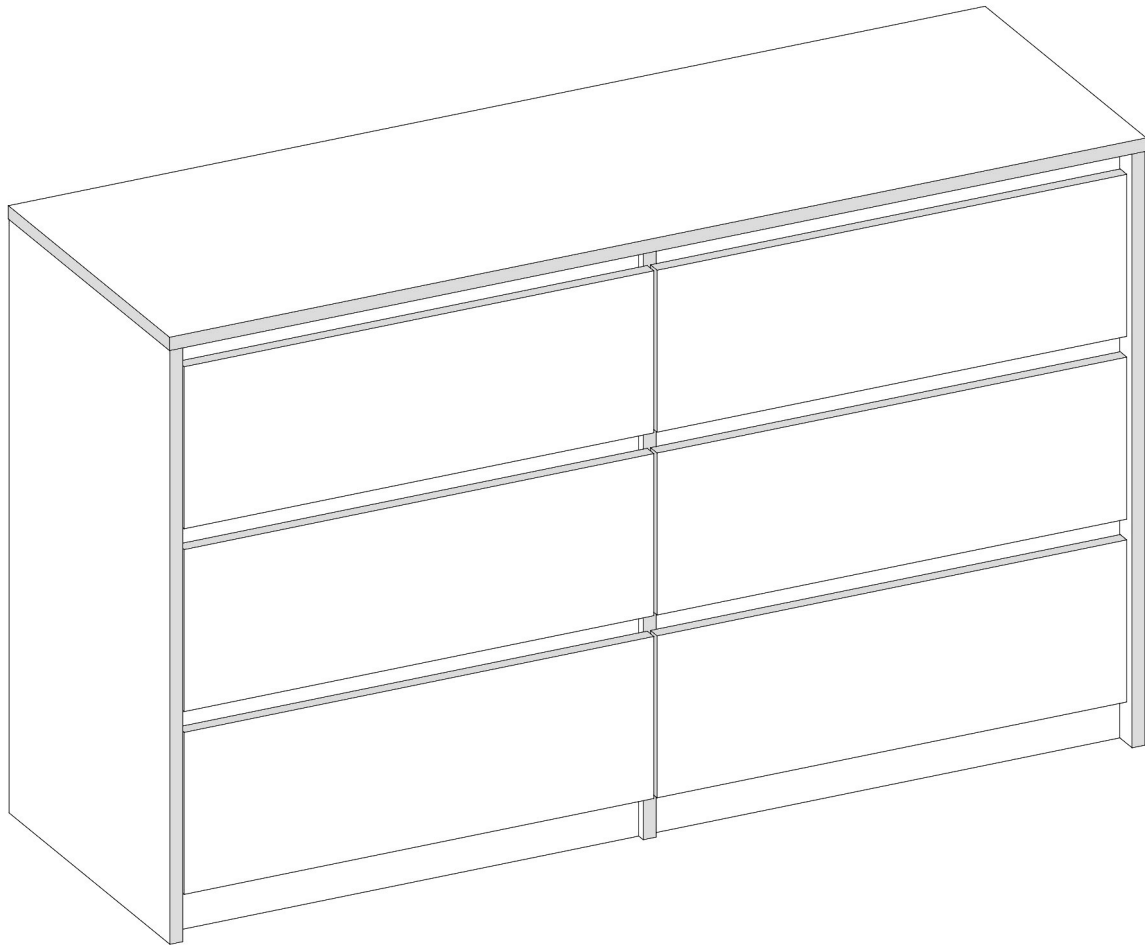










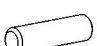
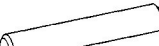




K 120-140

PRODUCTION DATE

PACKING CODE

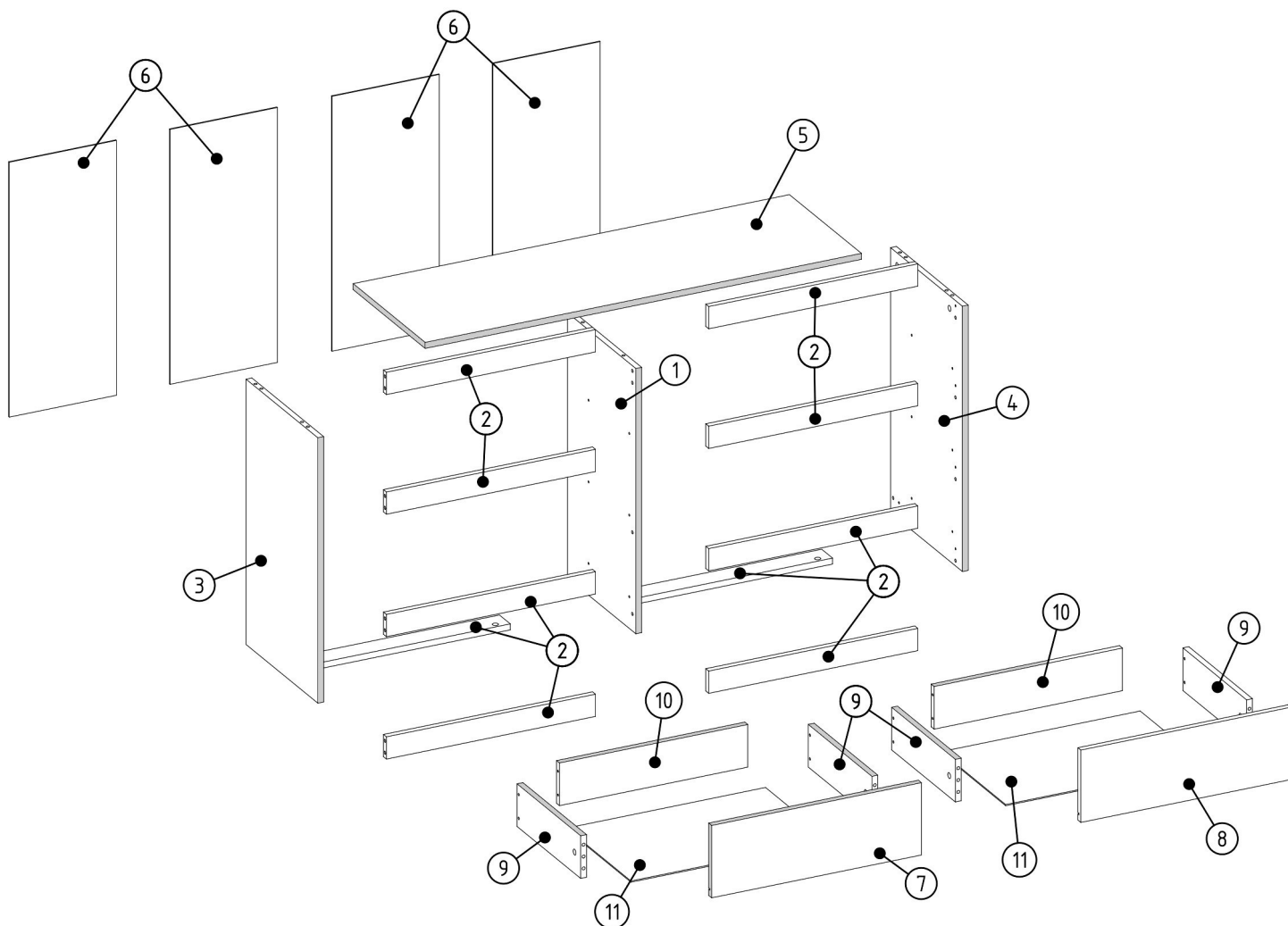


S1  3,5x16mm x24	R1  6x8mm x24	Z1  x90	Z2  x24	V15  x5	B1  B ø17/4mm x12	P3  L=350mm x6
N6  L=82mm x5	N2  L=45mm x28	M1  12x15mm x38	E2  8x35mm x40	E4  8x70mm x5	V13  x1	T1  x6

K 120-140

PRODUCTION DATE



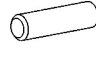


PACKING CODE

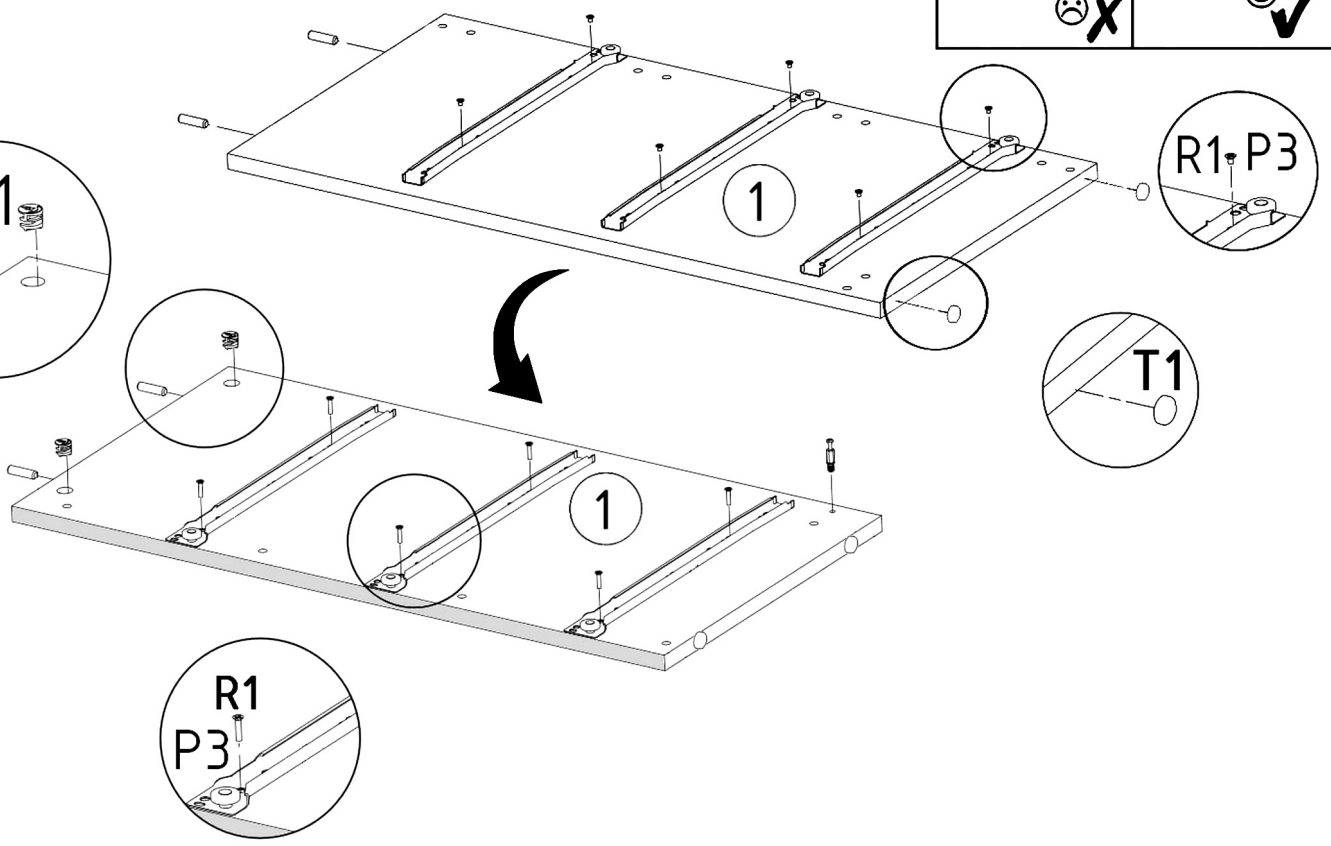
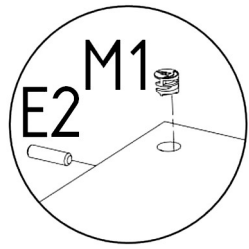
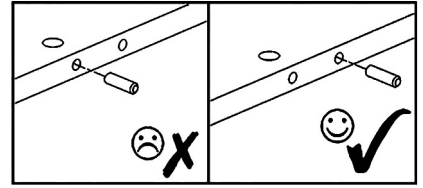
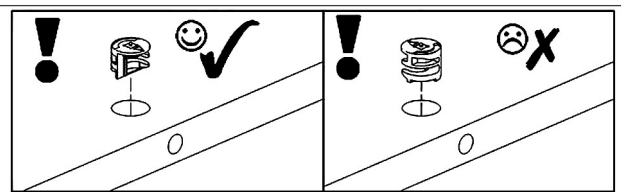
**K 120**

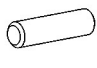

000315	11	6
000319	10	6
000055	9	12
000318	8	3
000317	7	3
000314	6	4
000316	5	1
000163	4	1
000162	3	1
000313	2	10
000161	1	1
ID	NUMBER	QUANTITY

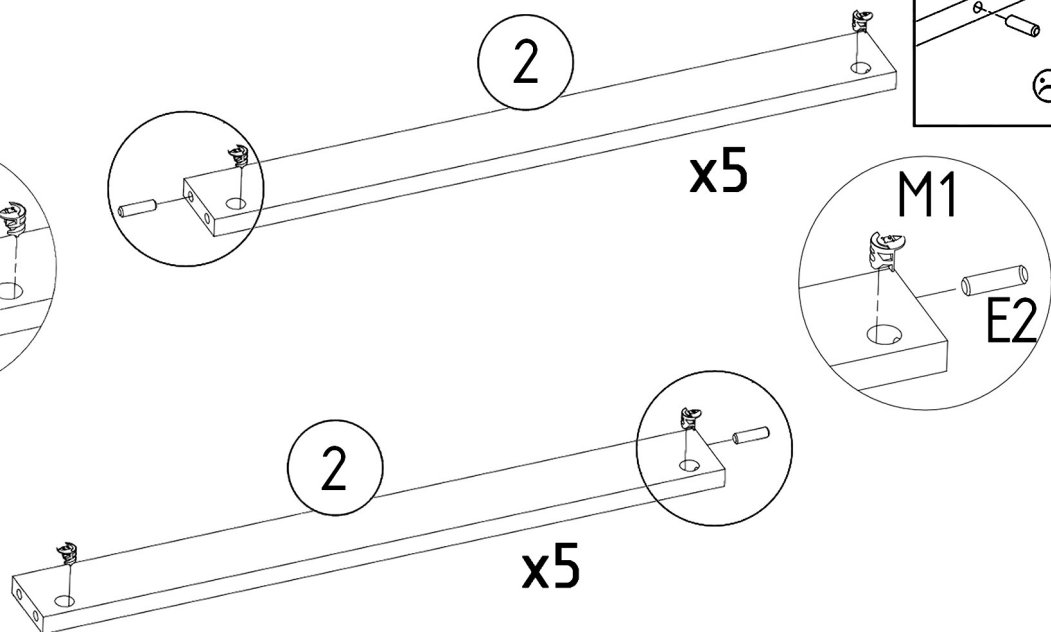
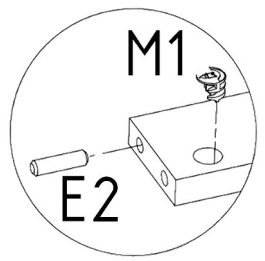
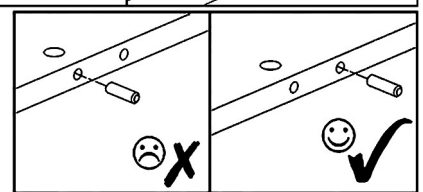
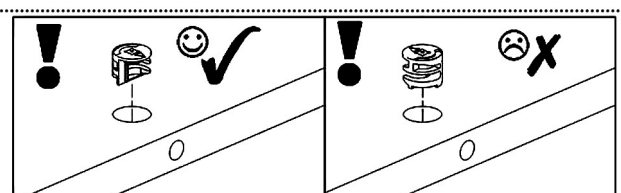
K 140

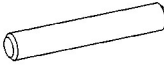

000660	11	6
000131	10	6
000055	9	12
000663	8	3
000662	7	3
000659	6	4
000661	5	1
000163	4	1
000162	3	1
000144	2	10
000161	1	1
ID	NUMBER	QUANTITY

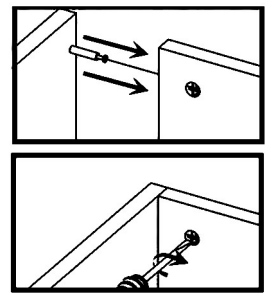
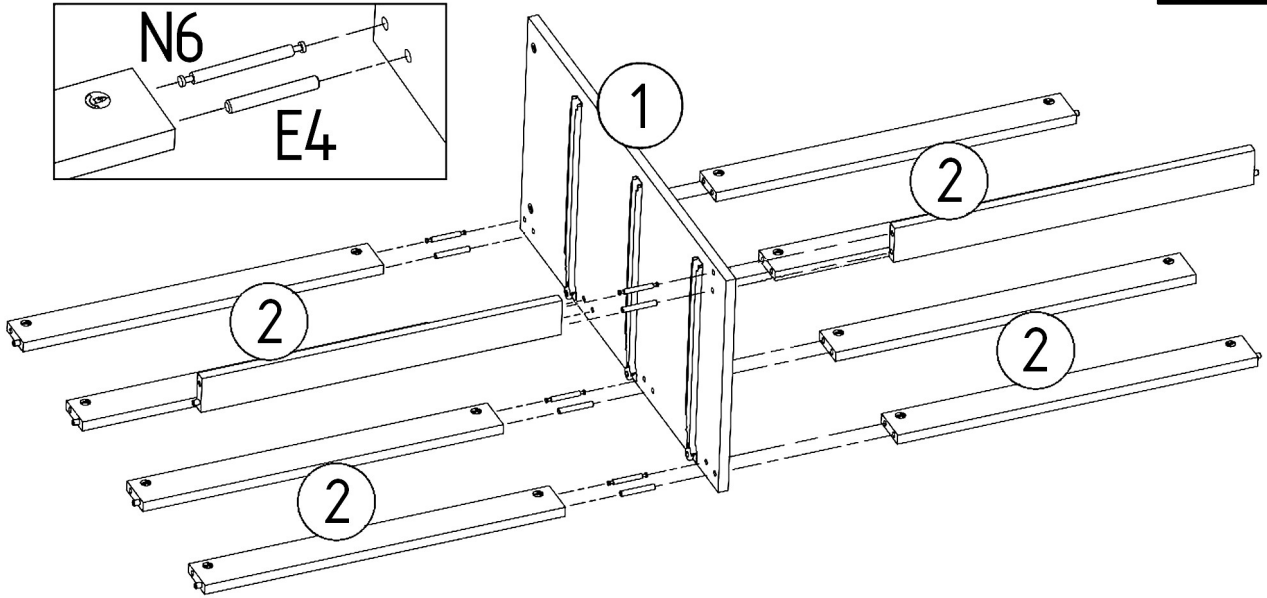
P3  L=350mm x6	R1  6x8mm x12	E2  8x35mm x2	M1  12x15mm x2	T1  x2
---	---	---	--	--


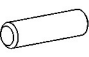





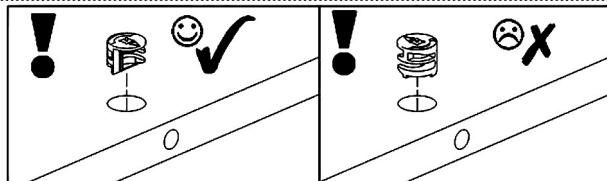
E2  8x35mm x10	M1  12x15mm x20
---	---




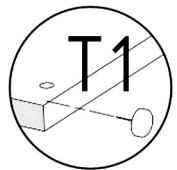
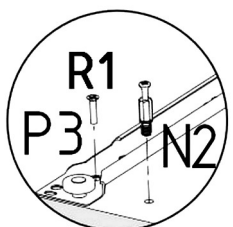
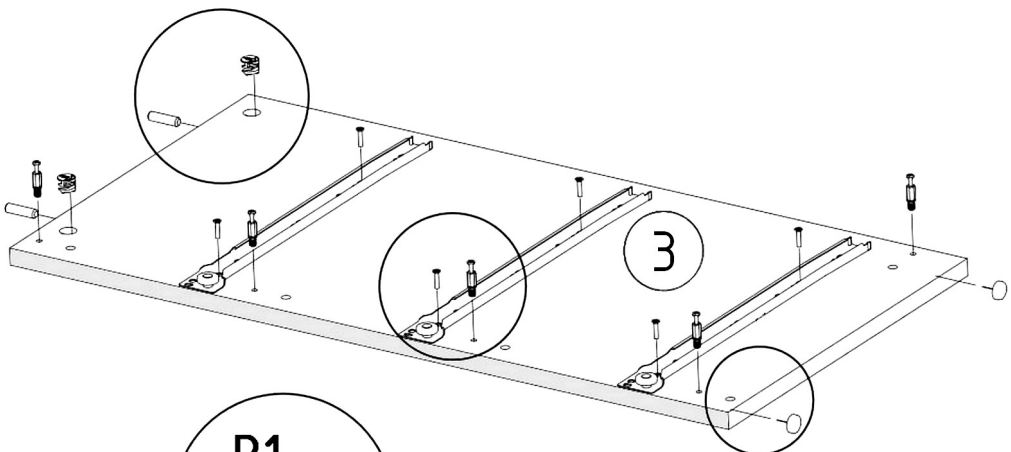
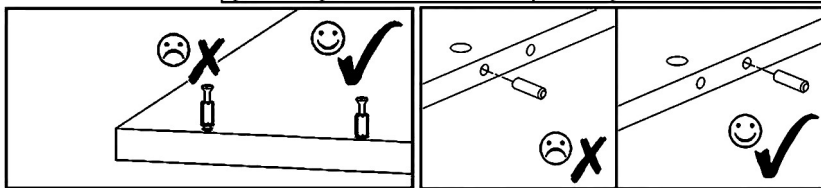
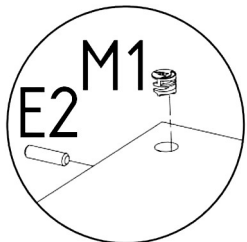
E4  8x70mm x5	N6  L=82mm x5
--	---

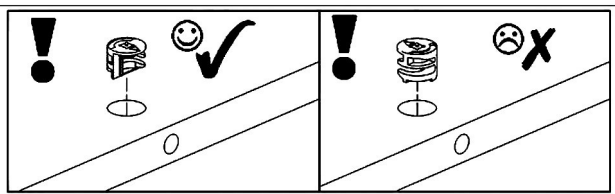
M1  12x15mm x2	E2  8x35mm x2	P3  L=350mm x3	R1  6x8mm x6	N2  L=45mm x5
---	---	--	--	---



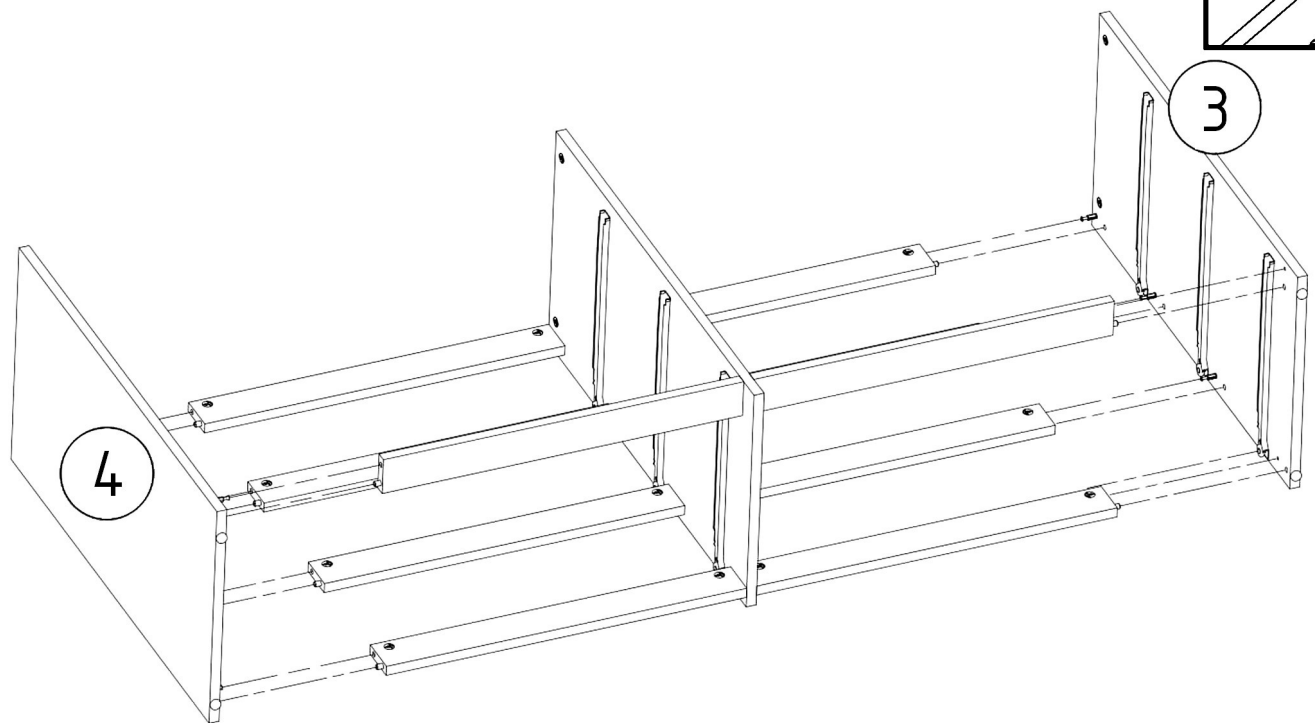
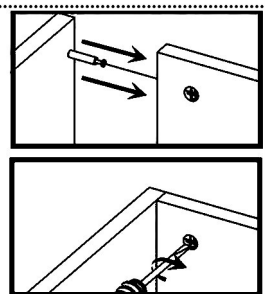
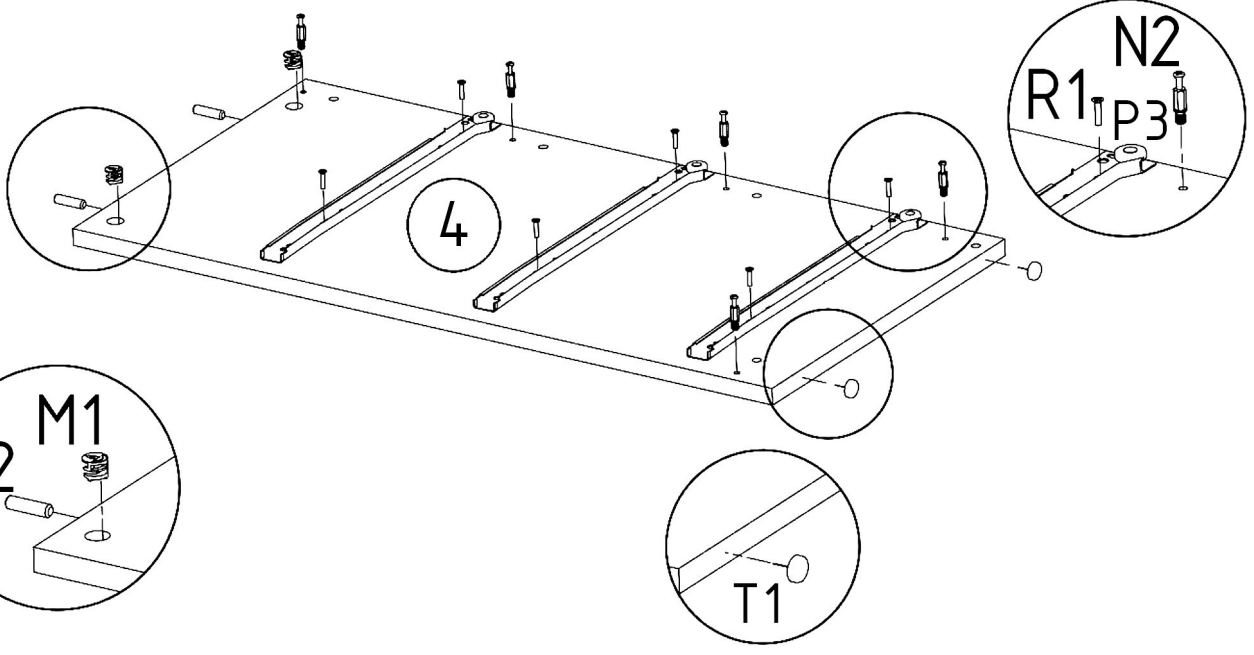
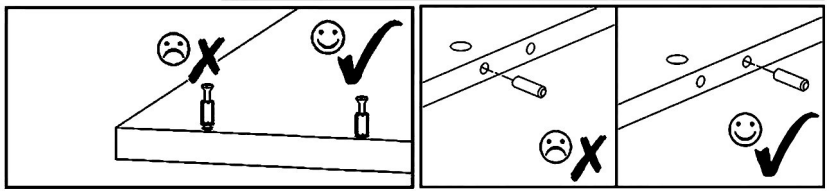
T1  x2



- E2**
8x35mm x2
- N2**
L=45mm x5
- M1**
12x15mm x2
- P3**
L=350mm x3
- R1**
6x8mm x6



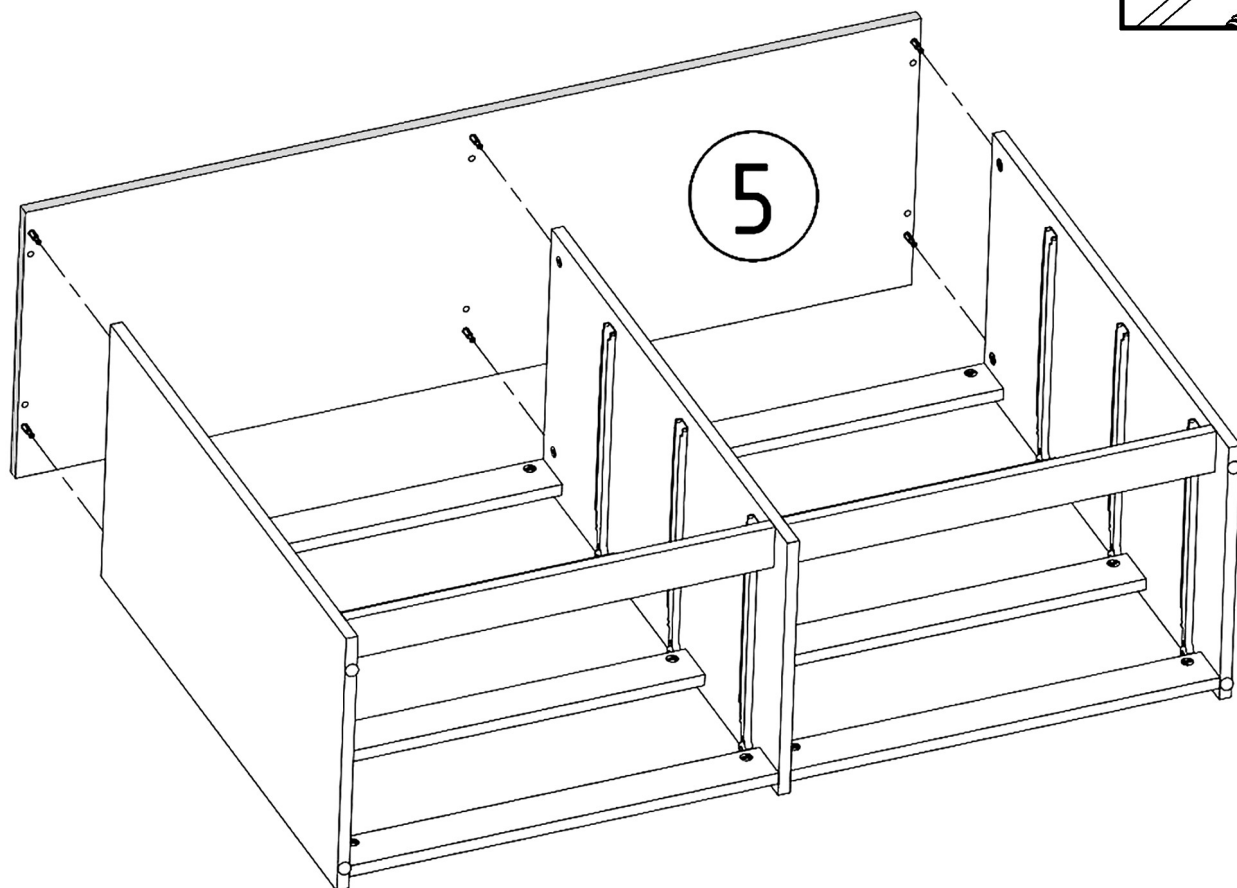
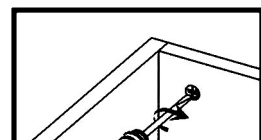
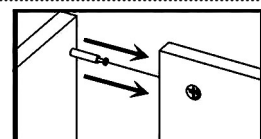
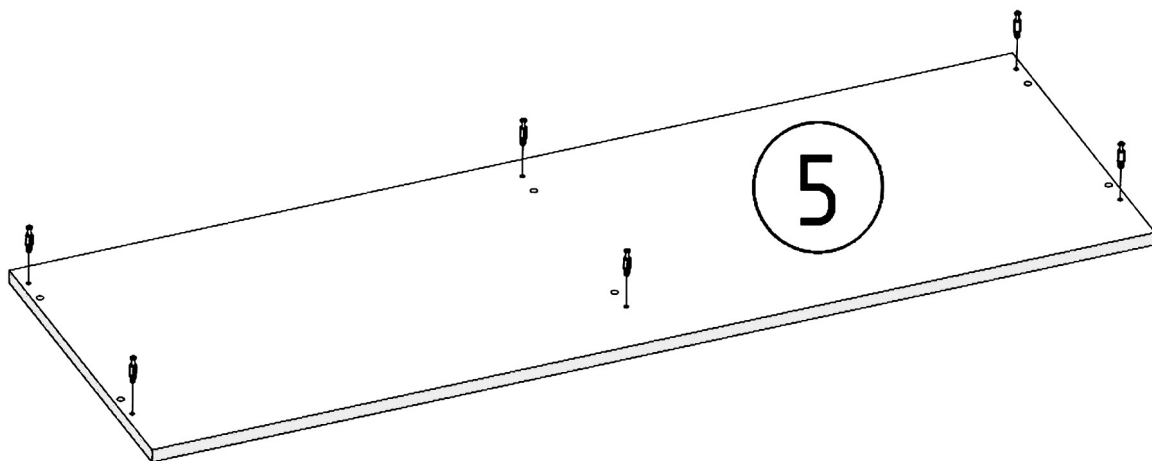
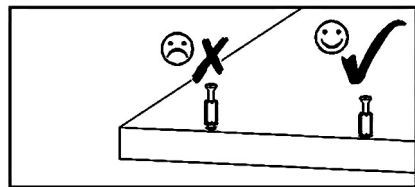
- T1**
x2

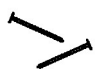



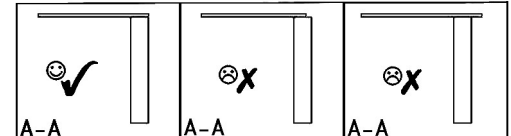
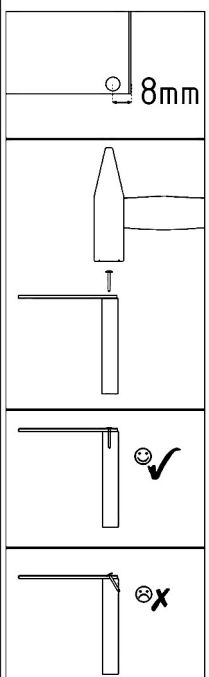
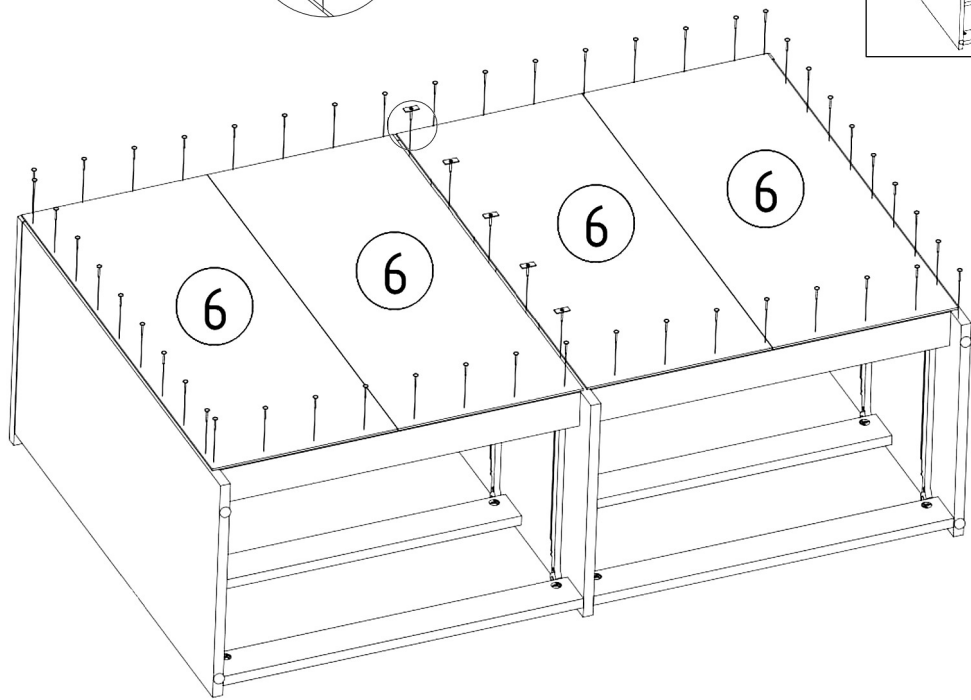
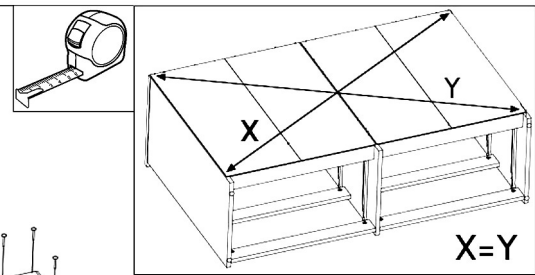
N2

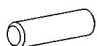




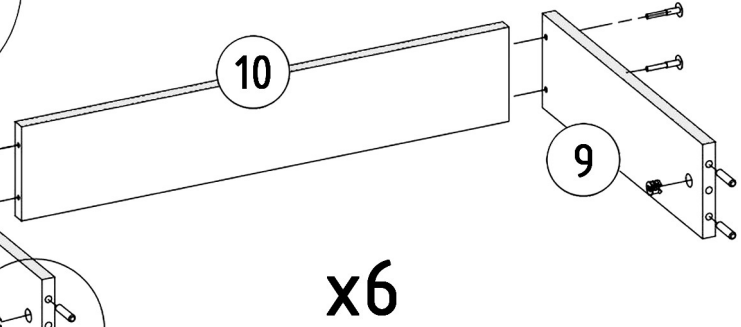
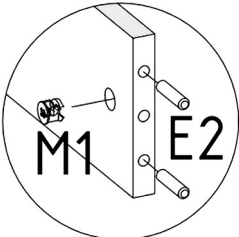
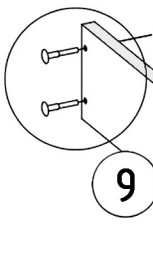
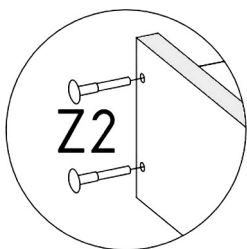
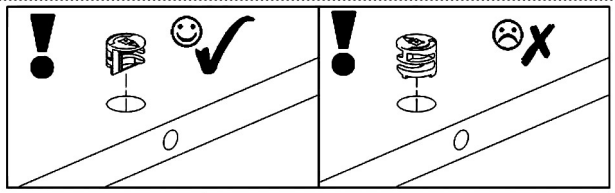
L=45mm x6



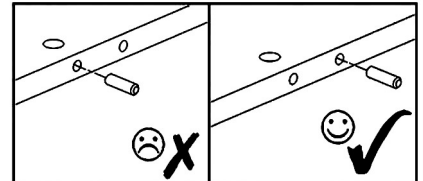
Z1  x60	V15  x5
---	--

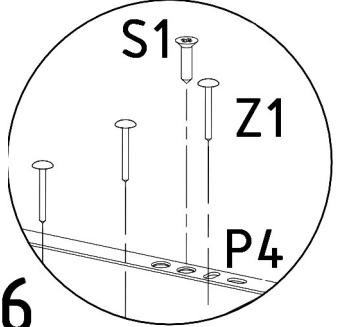
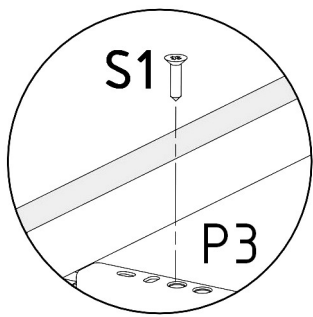
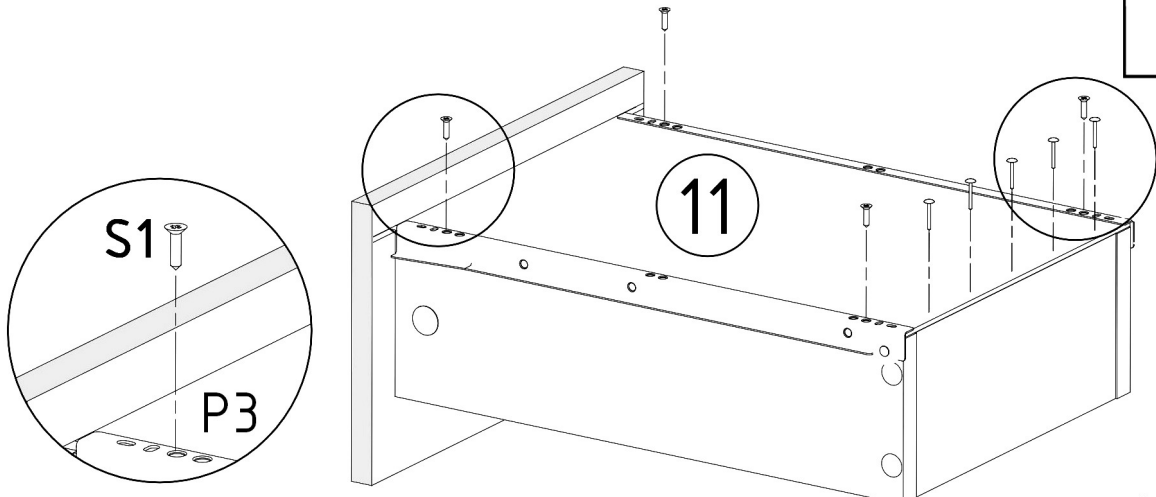
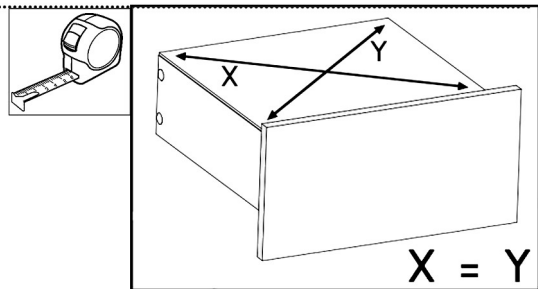
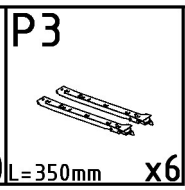
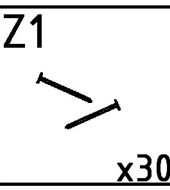
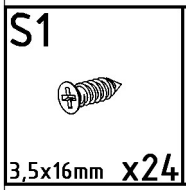
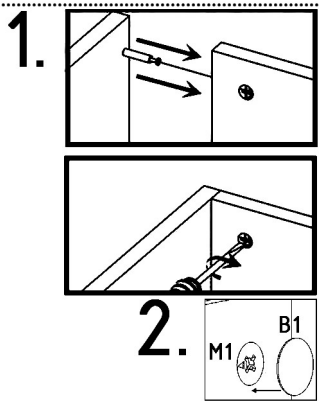
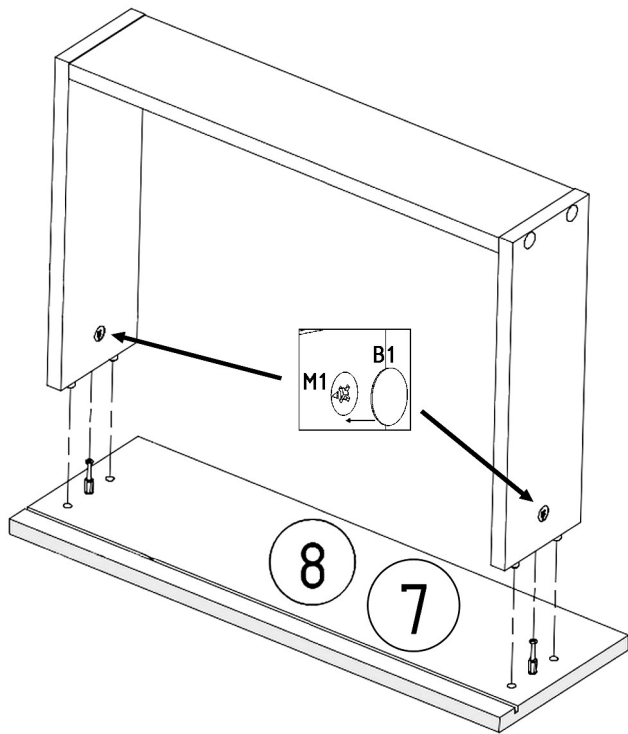
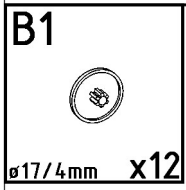
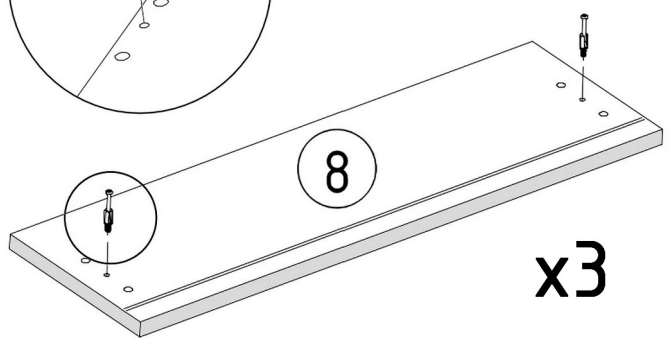
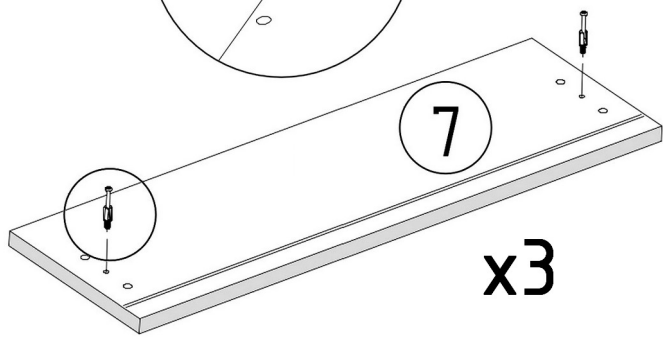
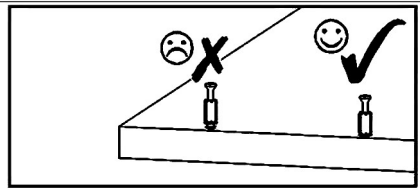
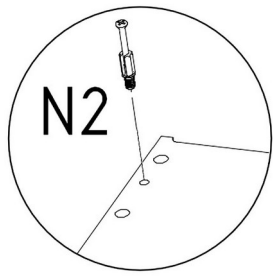
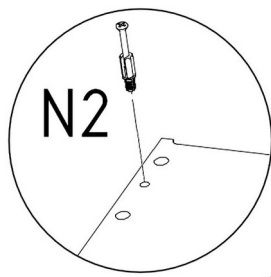


E2  8x35mm x24	Z2  x24	M1  12x15mm x12
--	--	--



x6





V13



x1

