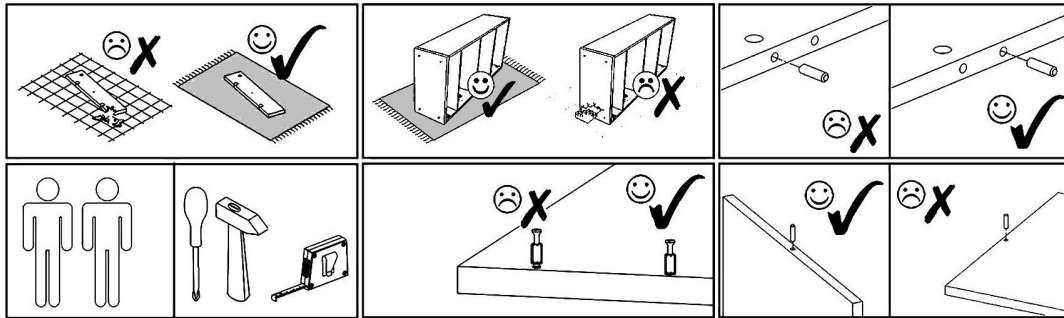
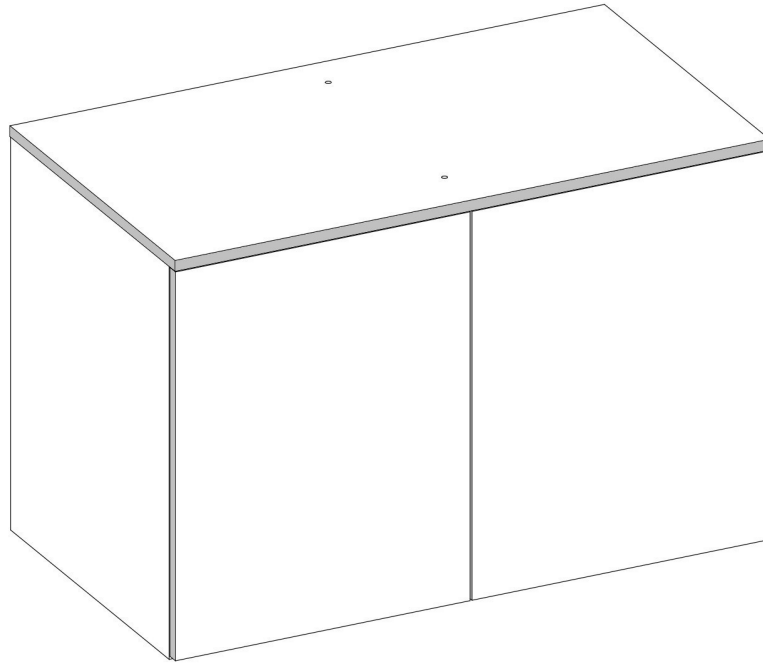


NDST_SZ90

PRODUCTION DATE

PACKING CODE



S5



4x30mm x4

A1



ZP x4

E1



x4 8x30mm

N1



x12 L=35mm

M1



x12 12x15mm

V62



x2

S1



x12 3,5x16mm

Z1



x40

V15

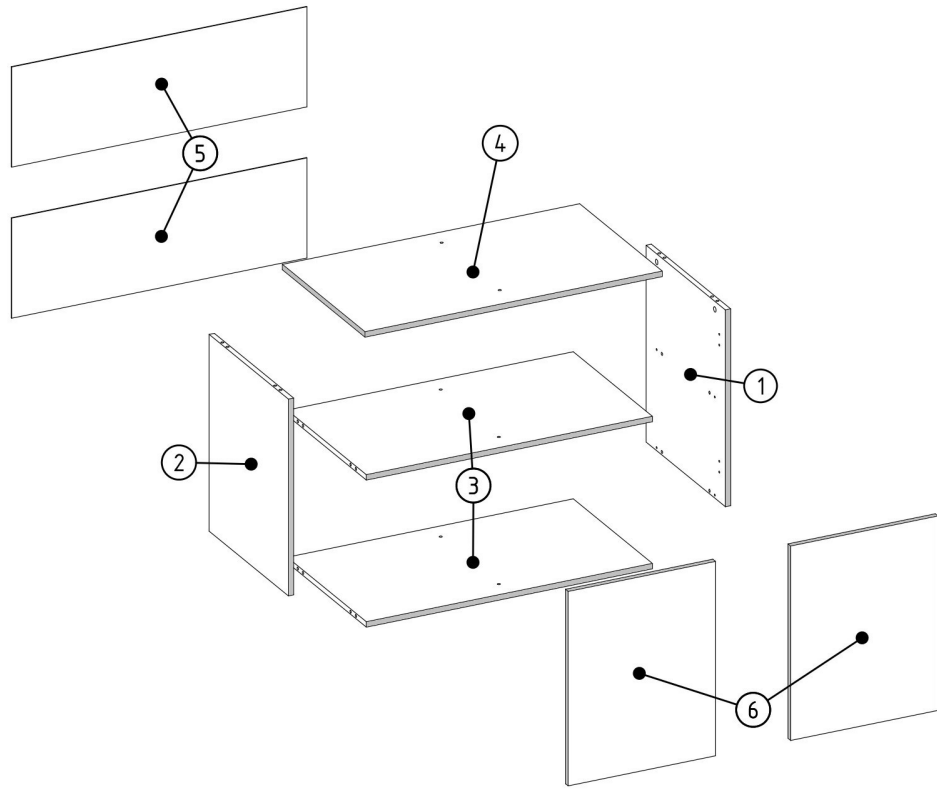


x10




IM260305

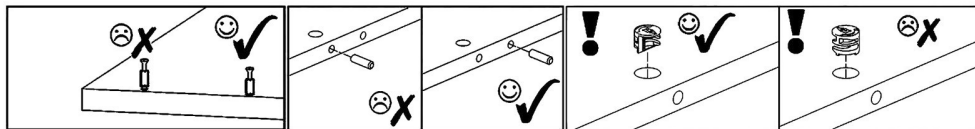
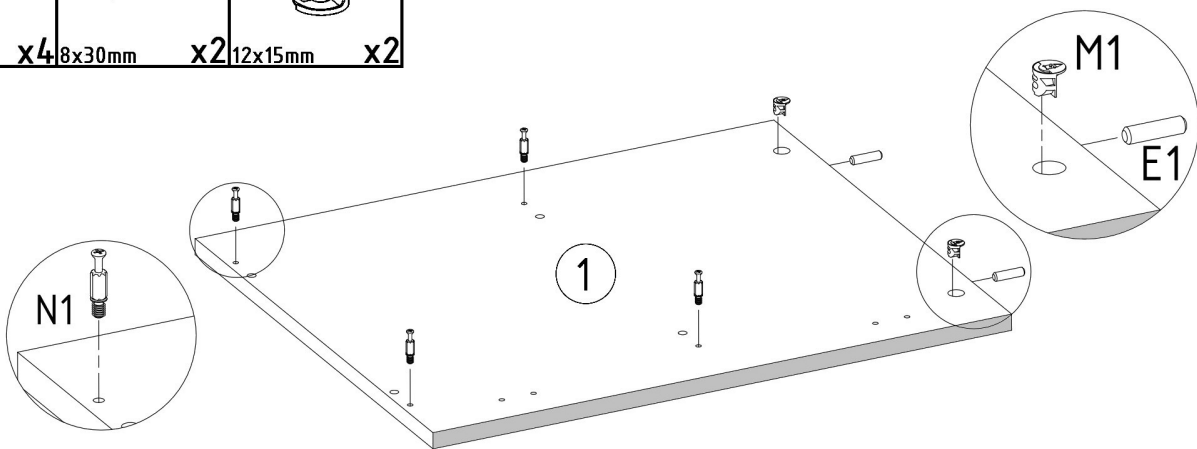
NDST_SZ90




PRODUCTION DATE	PACKING CODE

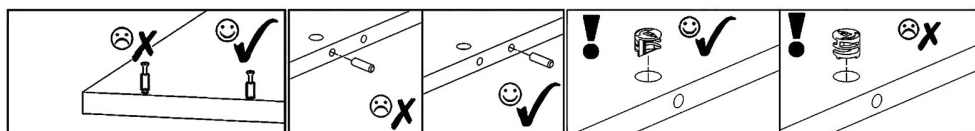
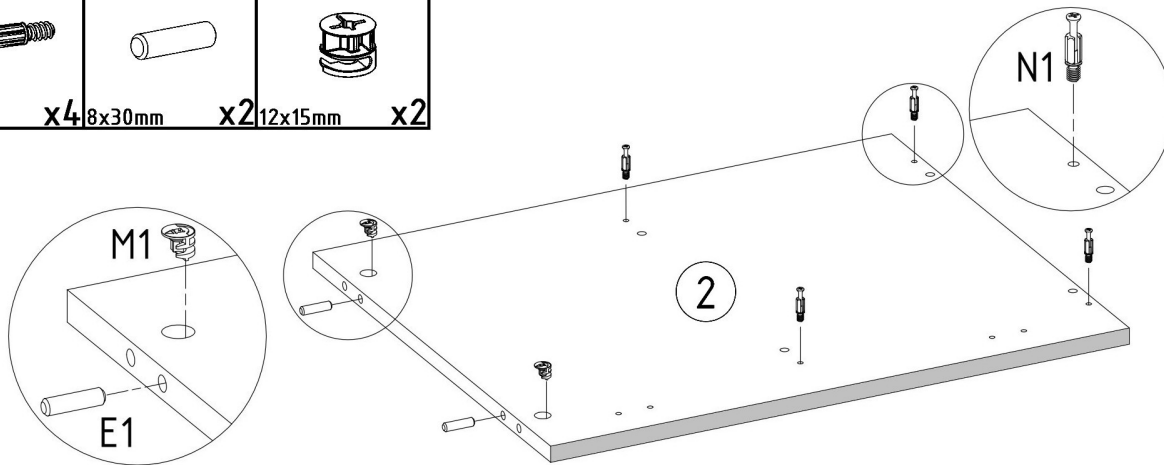




002198	6	2
002197	5	2
000603	4	1
000600	3	2
002200	2	1
002199	1	1
ID	NUMBER	QUANTITY

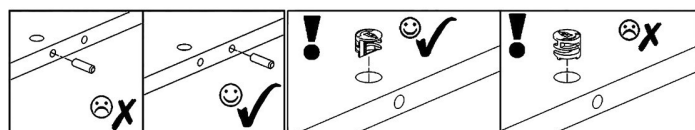
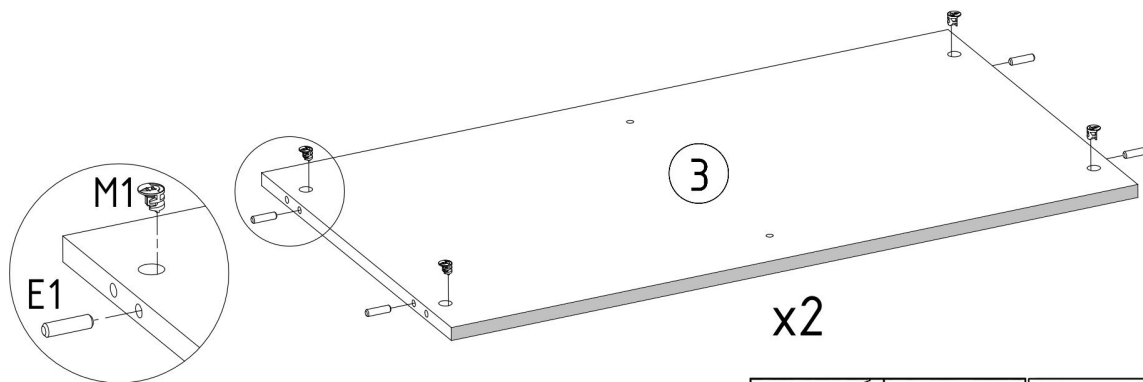
N1  L=35mm	E1  8x30mm	M1  12x15mm
x4	x2	x2

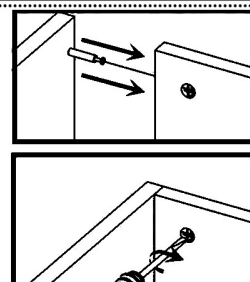
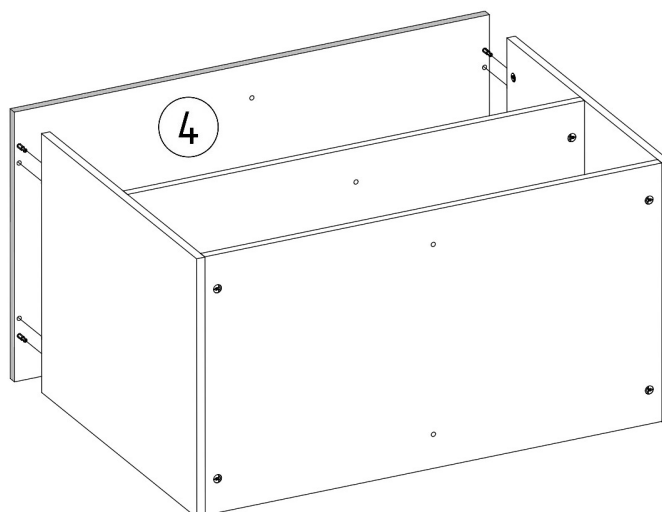
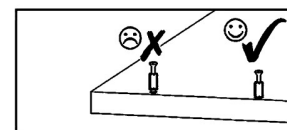
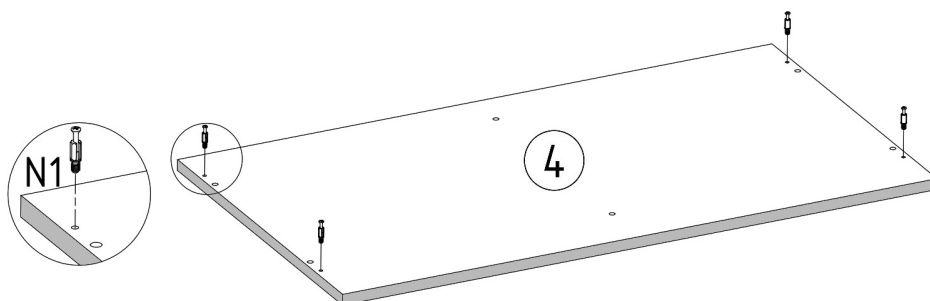
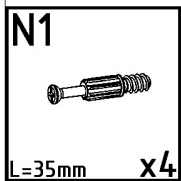
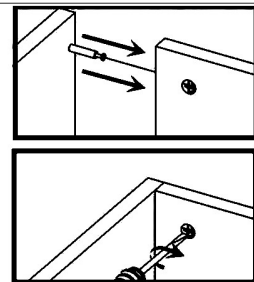
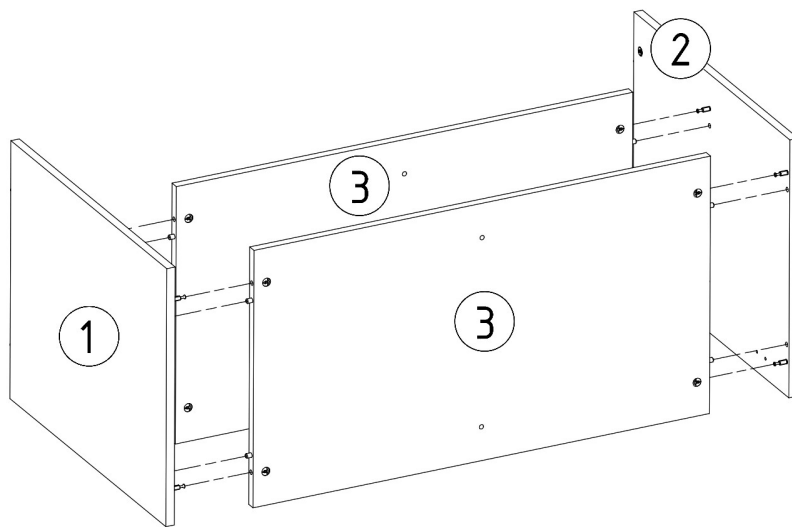


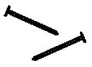

N1  L=35mm	E1  8x30mm	M1  12x15mm
x4	x2	x2

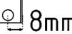
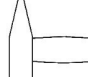



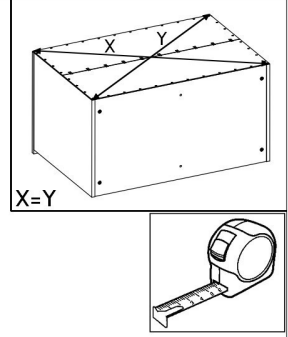
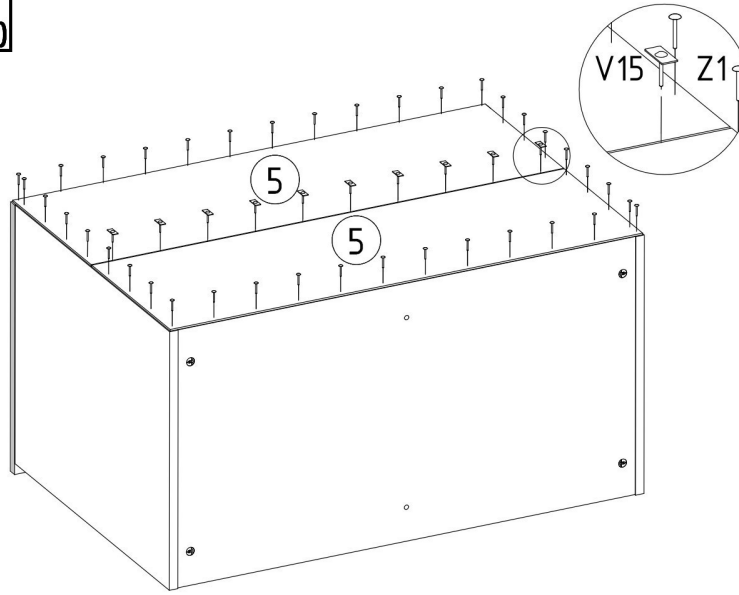



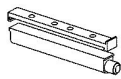
E1  8x30mm	M1  12x15mm
x8	x8

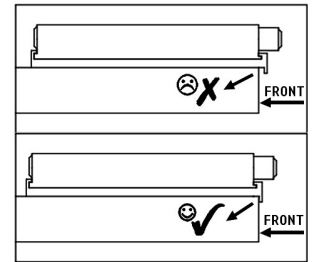
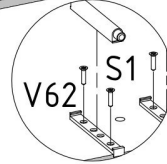
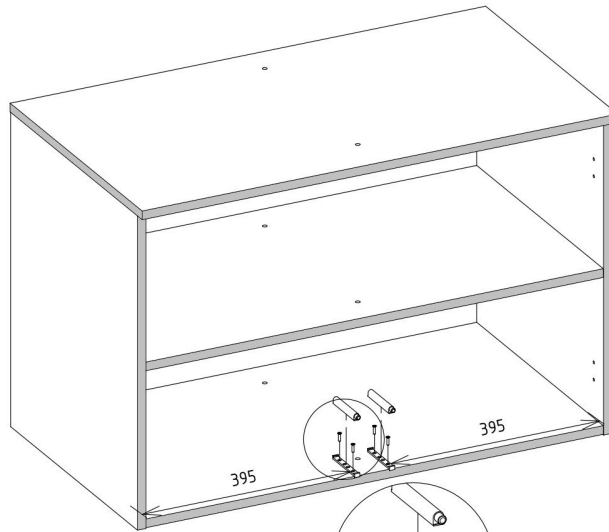






Z1  x40	V15  x10
--	--

 8mm


 ✓
 ✗


S1  3,5x16mm x4	V62  x2
--	---



A1  ZP x4	S1  3,5x16mm x8
--	---

