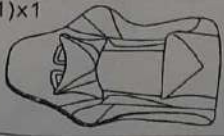

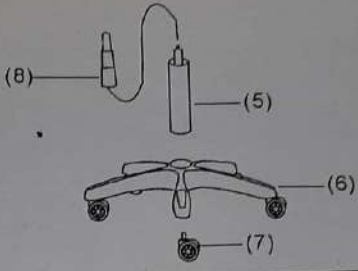
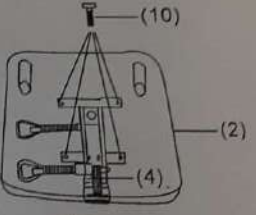




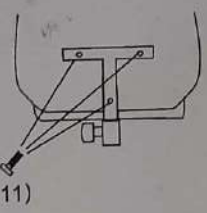
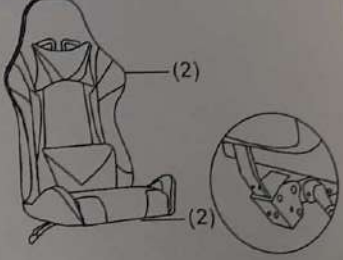
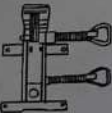
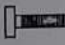

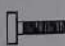





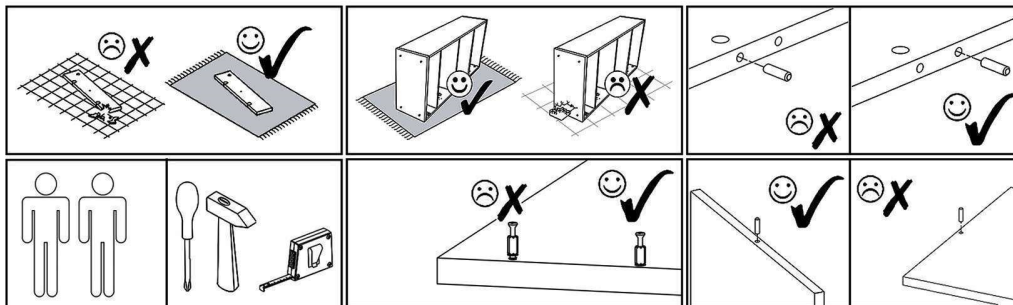
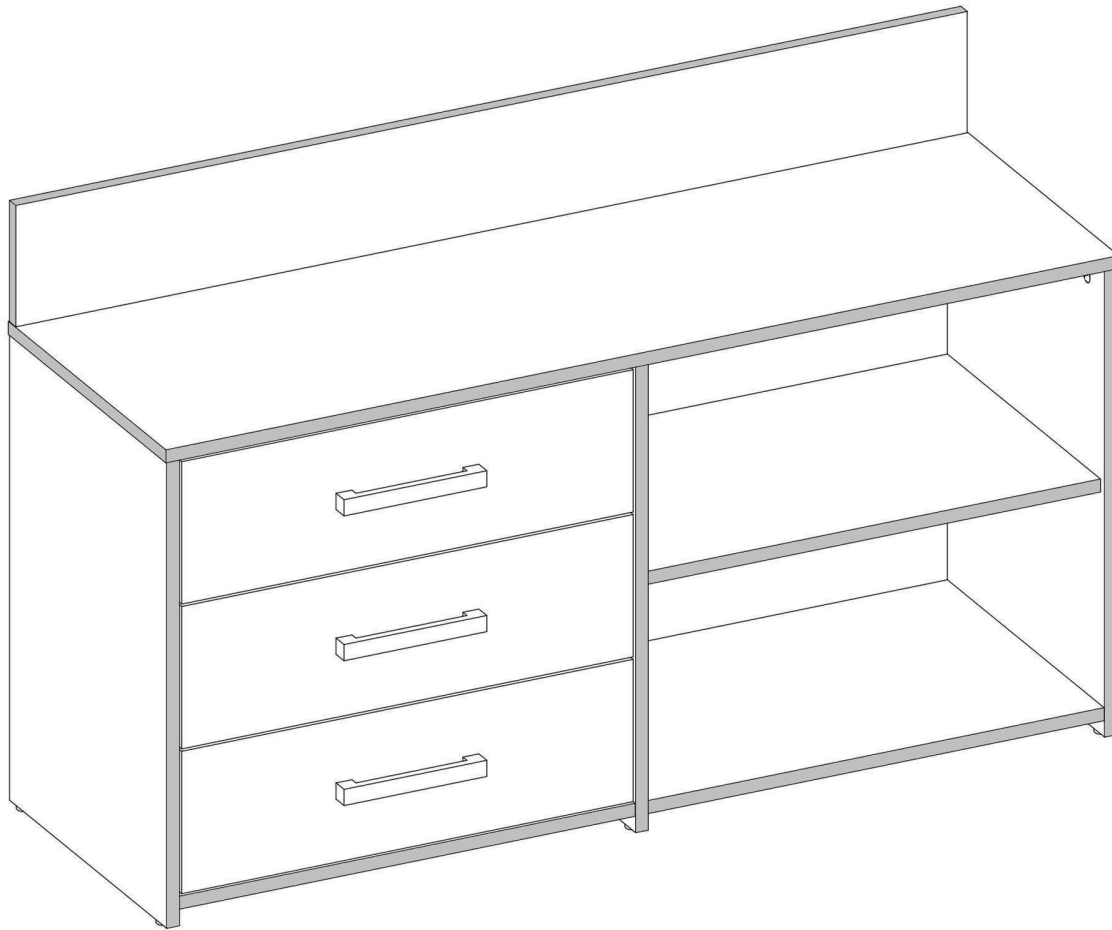


(1)x1 	(8)x1 	STEP 1 	STEP 2 
(2)x1 	(9)x1 		
(3)x1(L)x1(R) 	(10)x4xM6x20 	STEP 3 	STEP 4 
(4)x1 	(11)x3xM6x35 		
(5)x1 	(12)x4xM8x30 	STEP 5 	STEP 6 
(6)x1 	(13)x1 		
(7)x5 			

DANY/DANY "Z"

PRODUCTION DATE

PACKING CODE

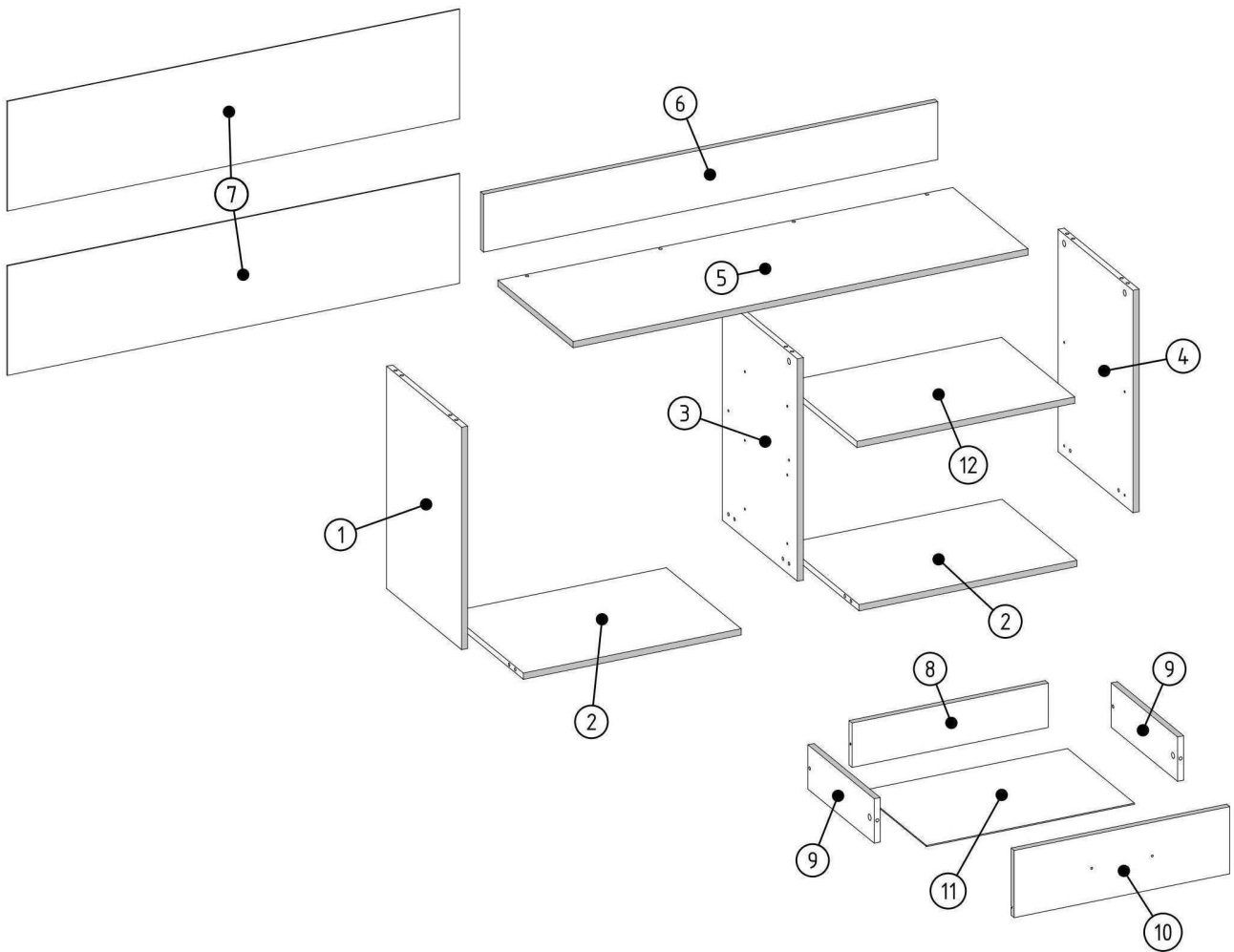


B1 B ø17/4mm x8	B1 S/A ø17/4mm x2	B1 Ant ø17/4mm x2	B1 DANY "Z" K ø17/4mm x2	B1 DANY "Z" G ø17/4mm x2	N1 L=35mm x16	M1 12x15mm x20	N4 L=62mm x2	S1 3,5x16mm x12	E1 8x30mm x10	R1 6x8mm x12	U7 DANY "Z" L=180/160mm x3	U7 L=180/160mm x3
Z1 x70	F1 7x50mm x10	V16 5x16mm x4	F3 Hex 4mm x1	R8 4x30mm x6	E3 8x50mm x2	T1 x6	P3 L=350mm x3					





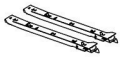

DANY/DANY "Z"

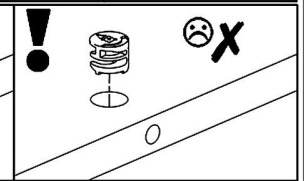
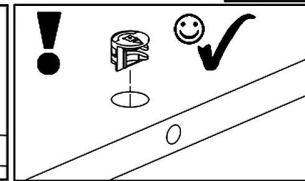
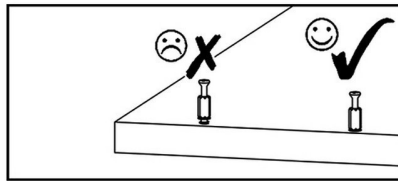
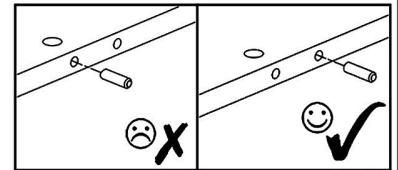
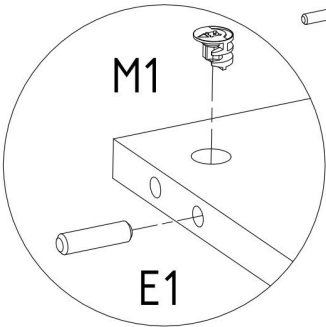
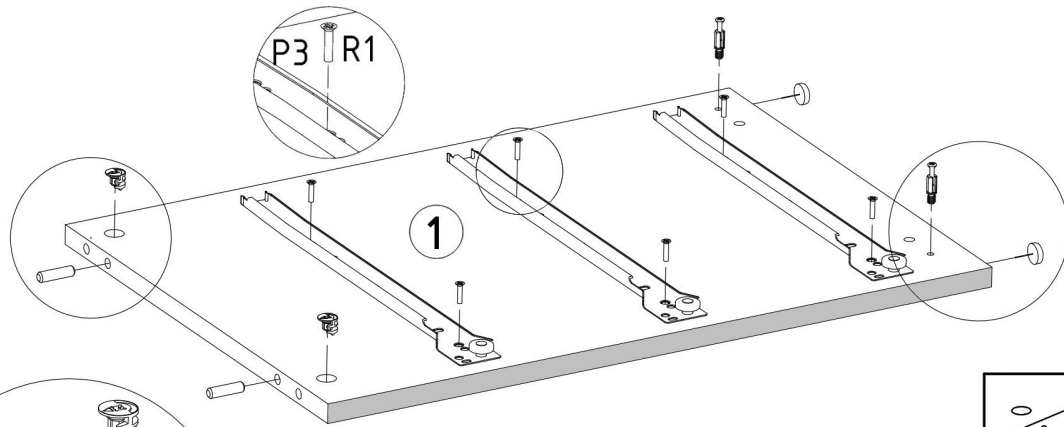
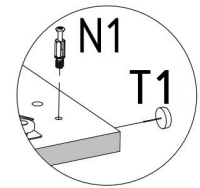
PRODUCTION DATE




PACKING CODE

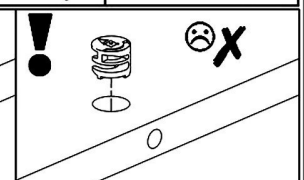
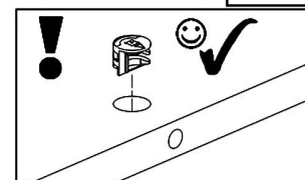
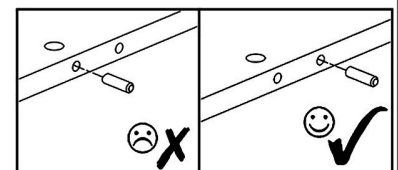
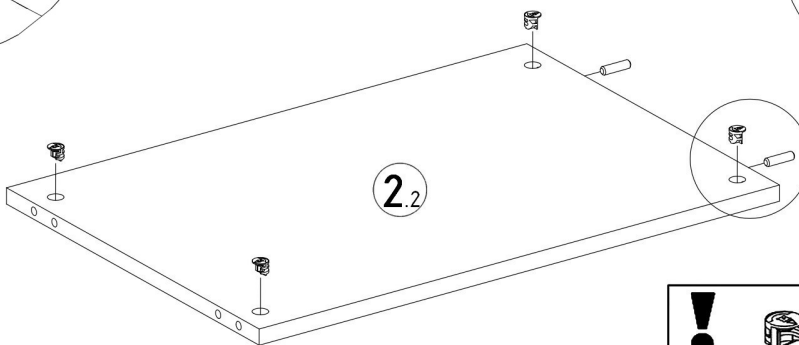
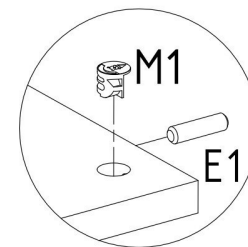
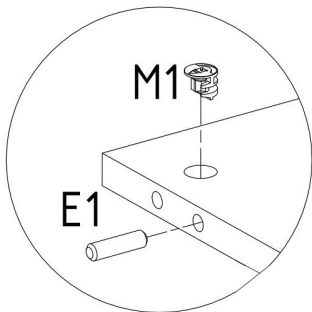
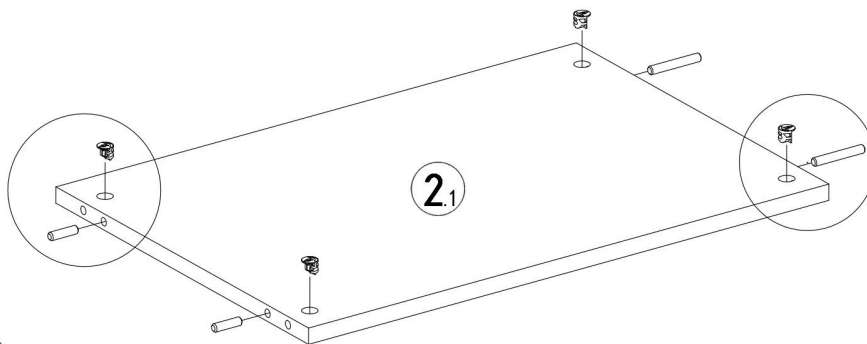
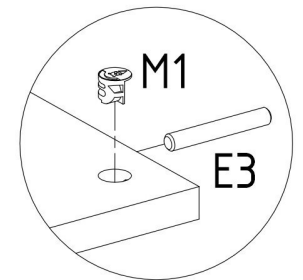




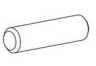

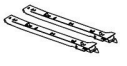
000112	12	1
000105	11	3
000110	10	3
000053	9	6
000101	8	3
000243	7	2
000268	6	1
000248	5	1
000115	4	1
000116	3	1
000113	2	2
000114	1	1
ID	NUMBER	QUANTITY

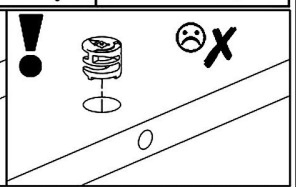
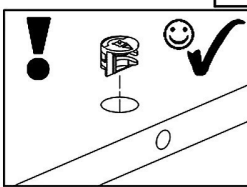
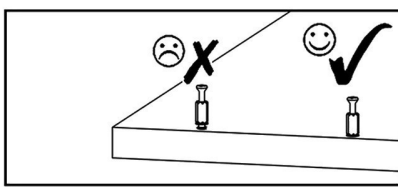
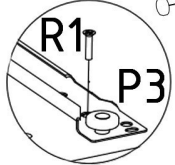
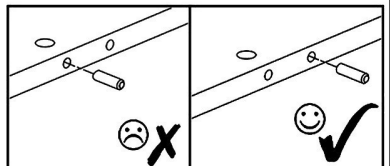
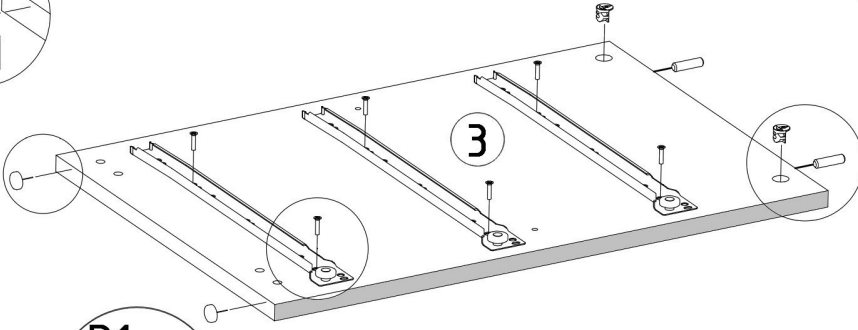
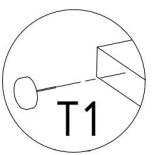
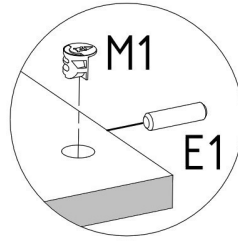
M1  12x15mm x2	N1  L=35mm x2	E1  8x30mm x2	R1  6x8mm x6	P3  L=350mm x3	T1  x2
--	---	---	--	---	---



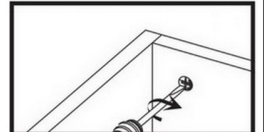
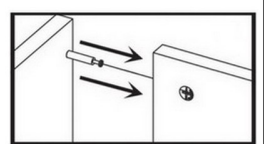
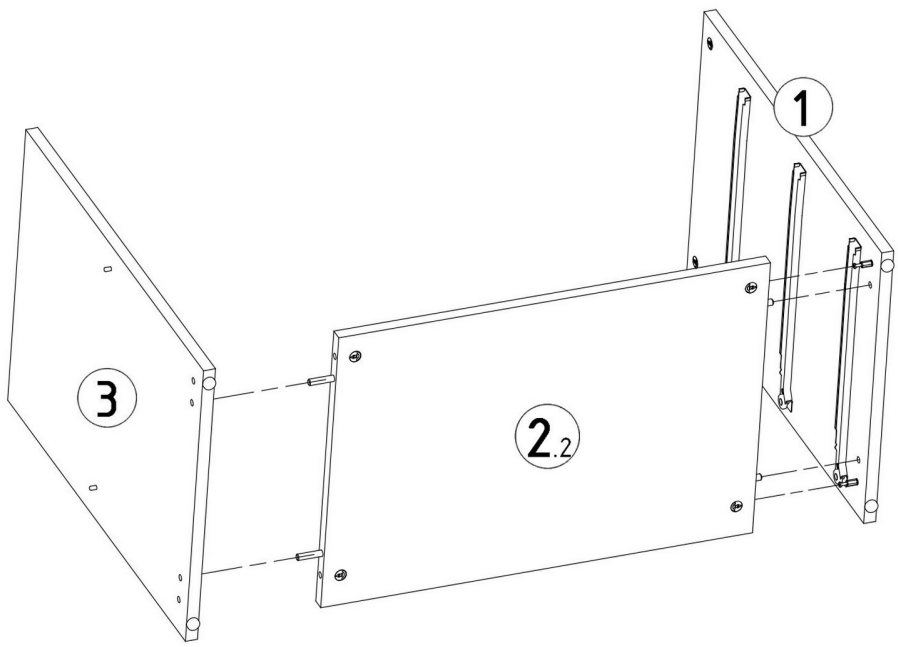
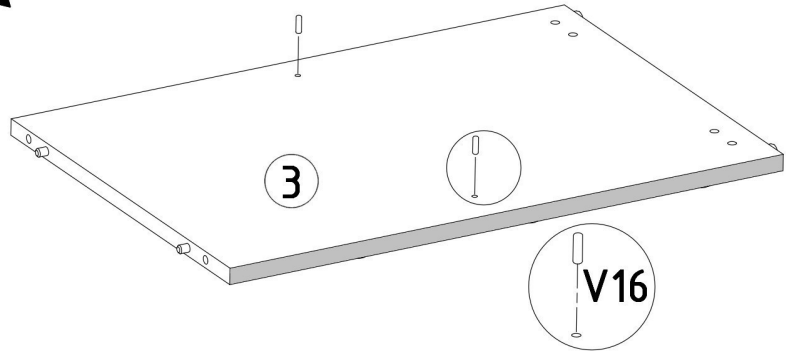
M1  12x15mm x8	E3  8x50mm x2	E1  8x30mm x4
--	--	---




M1  12x15mm x2	T1  x2	E1  8x30mm x2	R1  6x8mm x6	P3  L=350mm x3
---	---	--	---	---



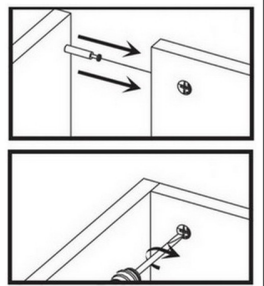
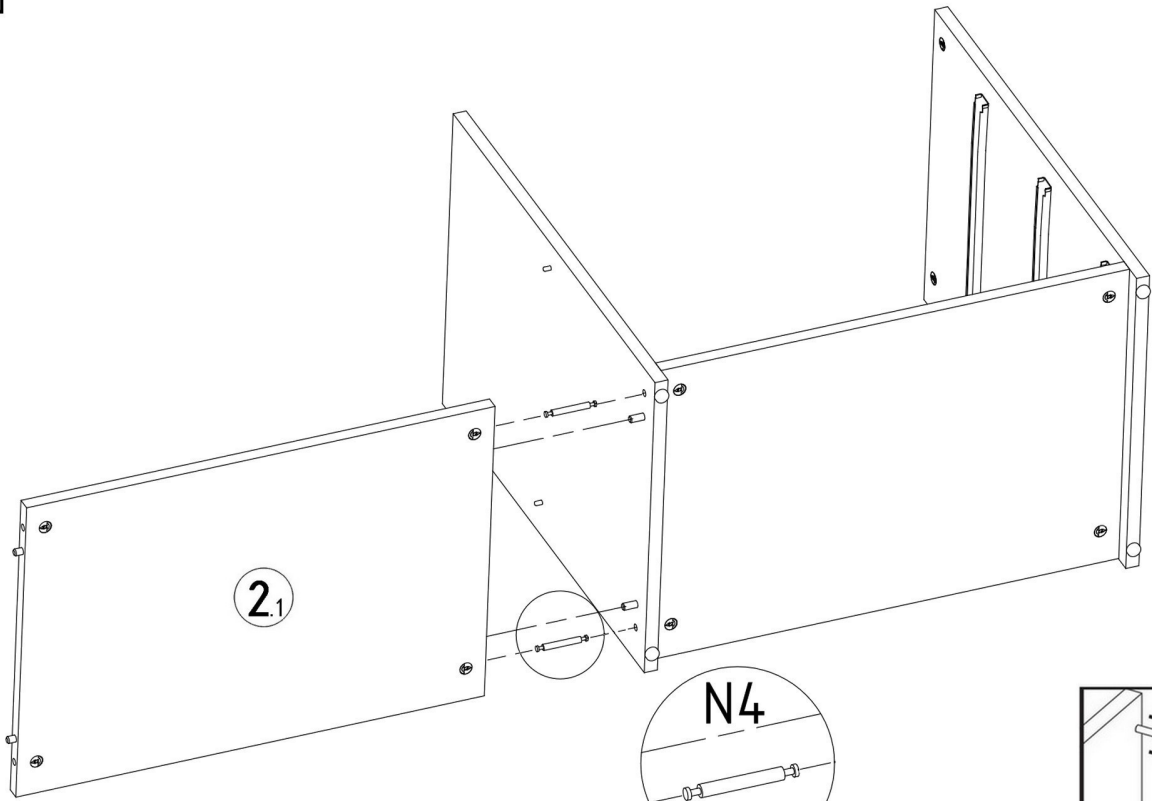
V16  5x16mm x2
--





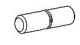


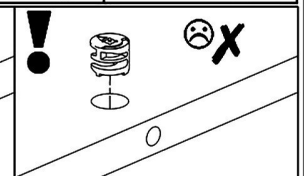
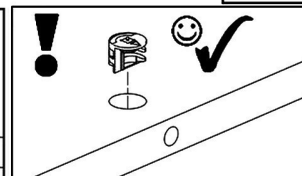
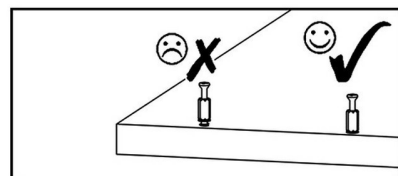
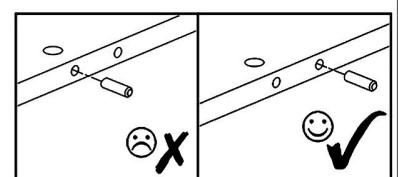
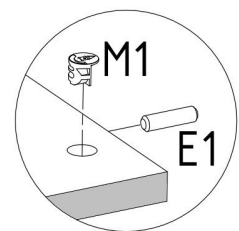
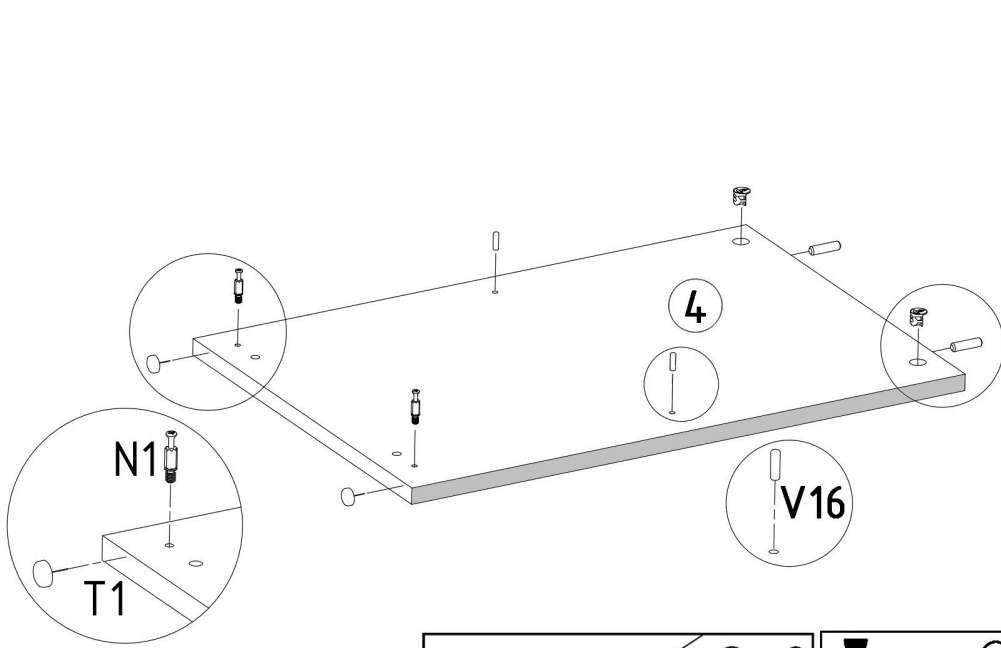
N4

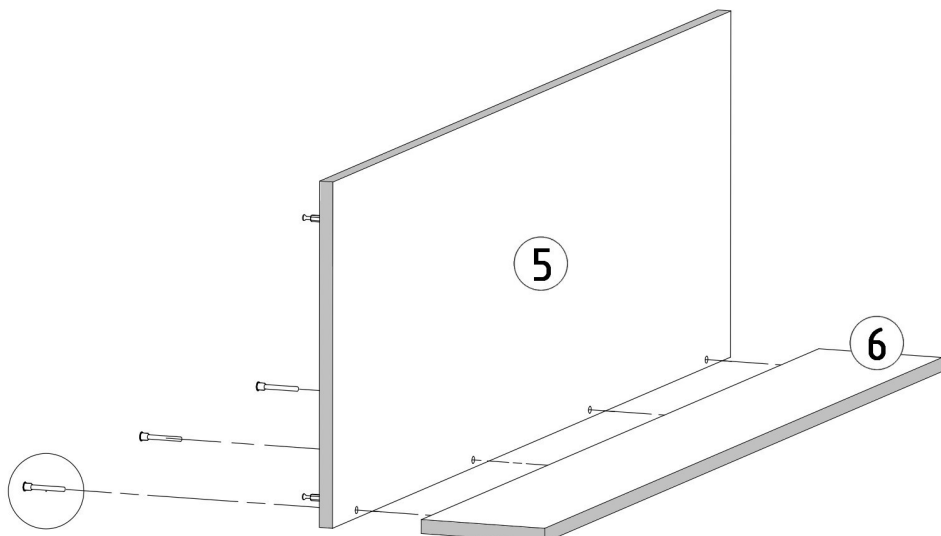
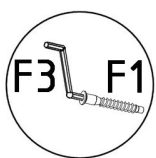
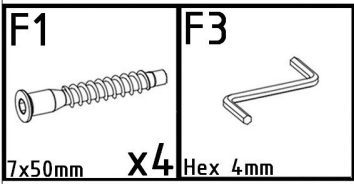
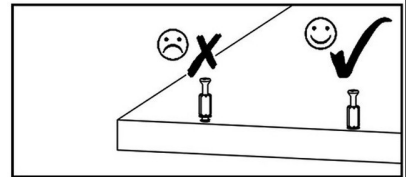
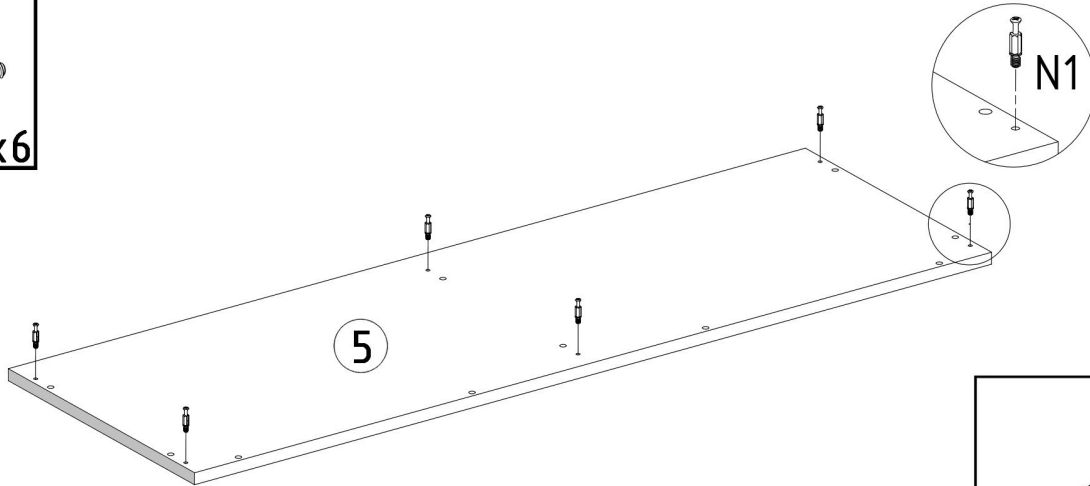
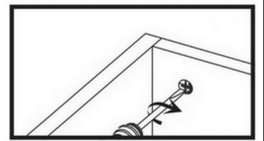
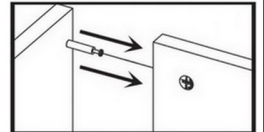
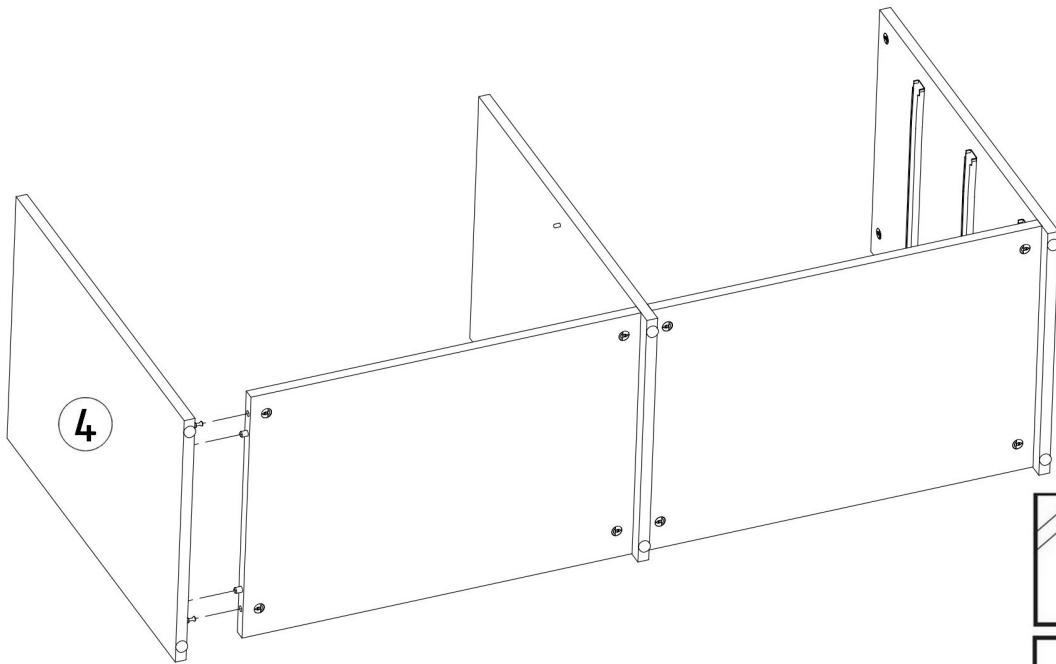


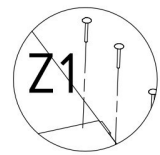
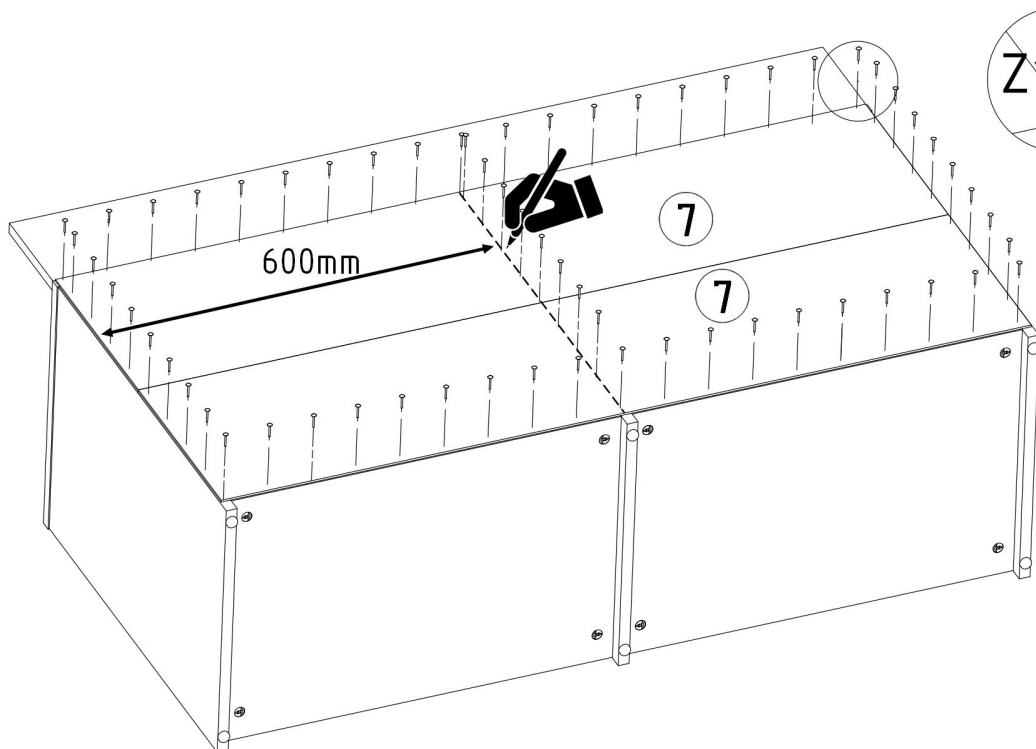
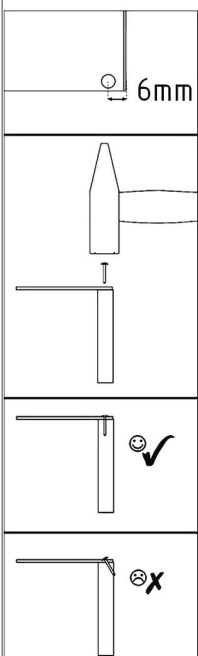
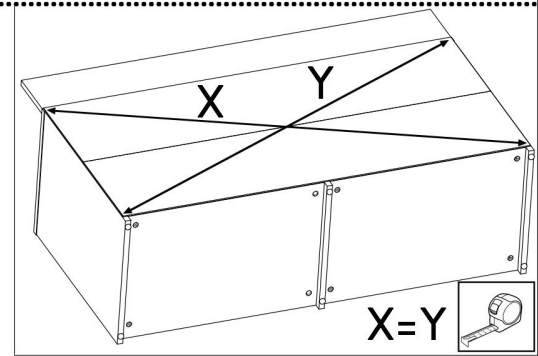
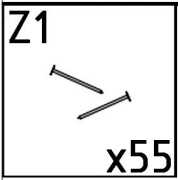
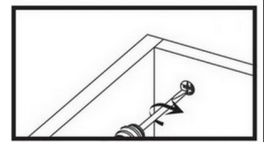
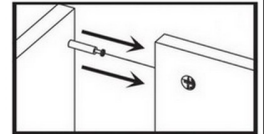
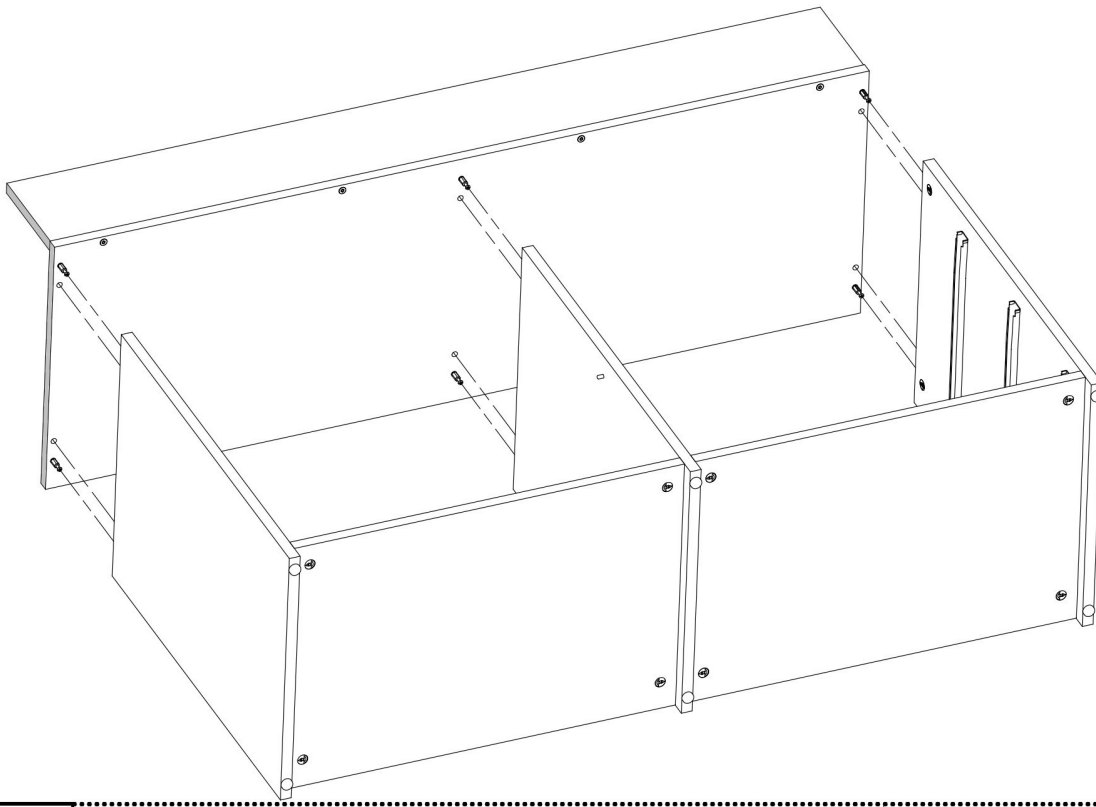
L=62mm **x2**

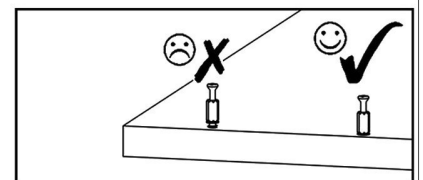
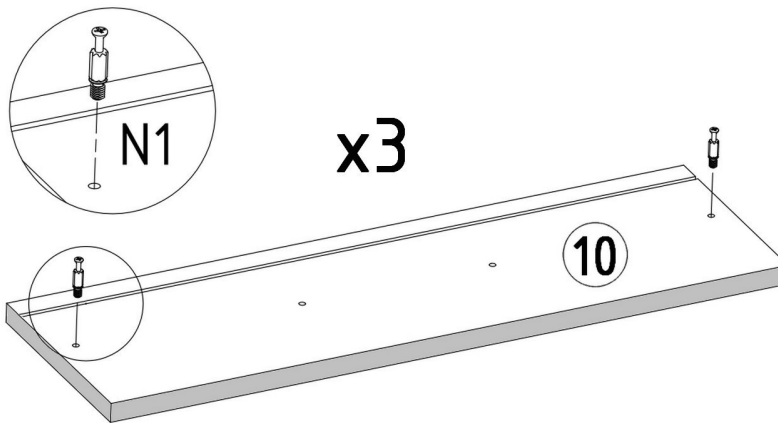
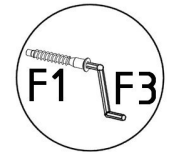
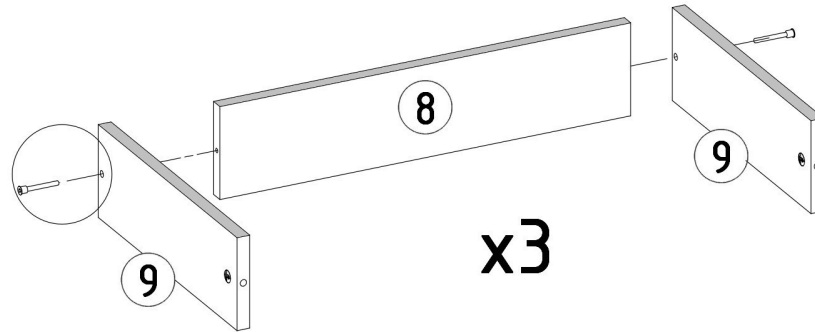
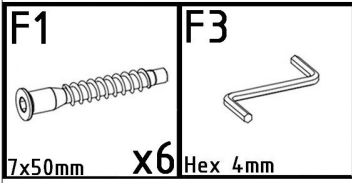
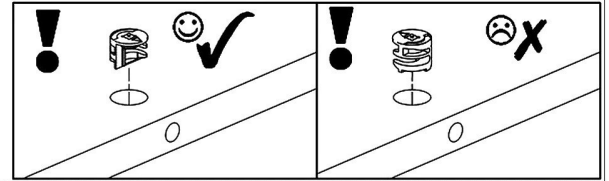
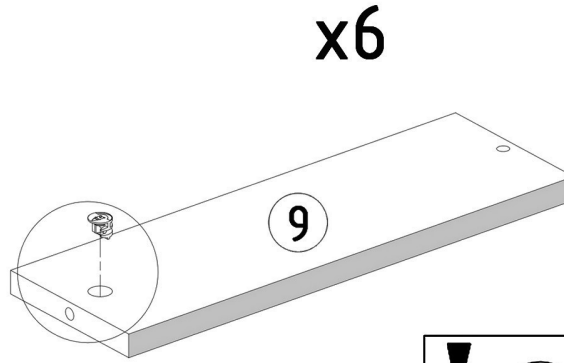
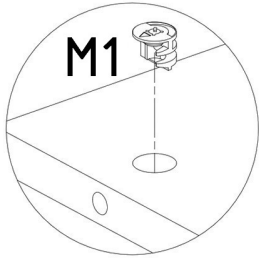
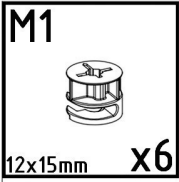


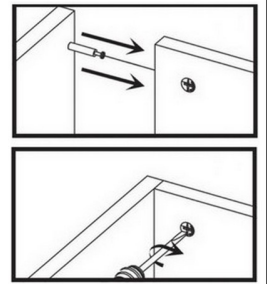
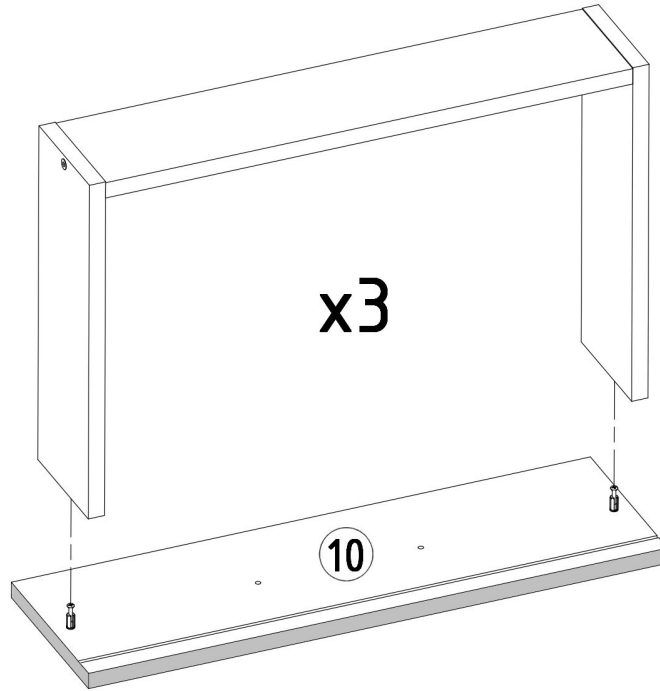
<p>M1</p>  <p>12x15mm x2</p>	<p>N1</p>  <p>L=35mm x2</p>	<p>E1</p>  <p>8x30mm x2</p>	<p>T1</p>  <p>x2</p>	<p>V16</p>  <p>5x16mm x2</p>
--	--	--	---	---



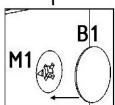
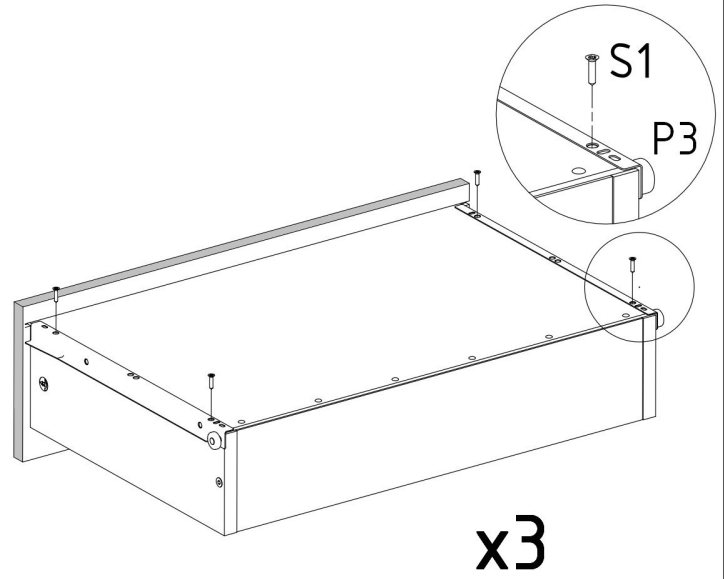
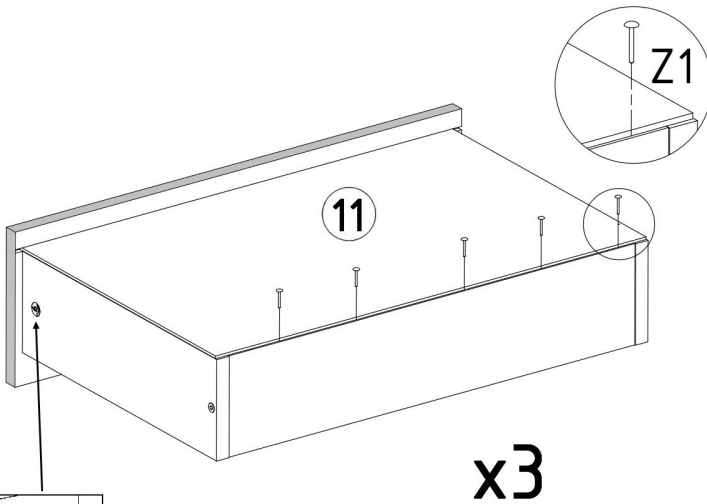
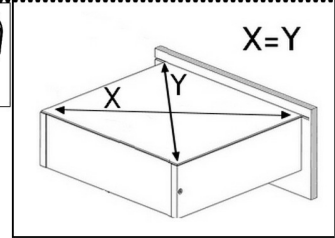
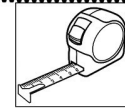




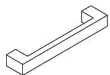




<p>P3</p> <p>L=350mm x3</p>	<p>S1</p> <p>3,5x16mm x12</p>	<p>Z1</p> <p>x15</p>	<p>B1</p> <p>ø17/4mm x6</p>
---	---	------------------------------------	---



U7



L=180mm

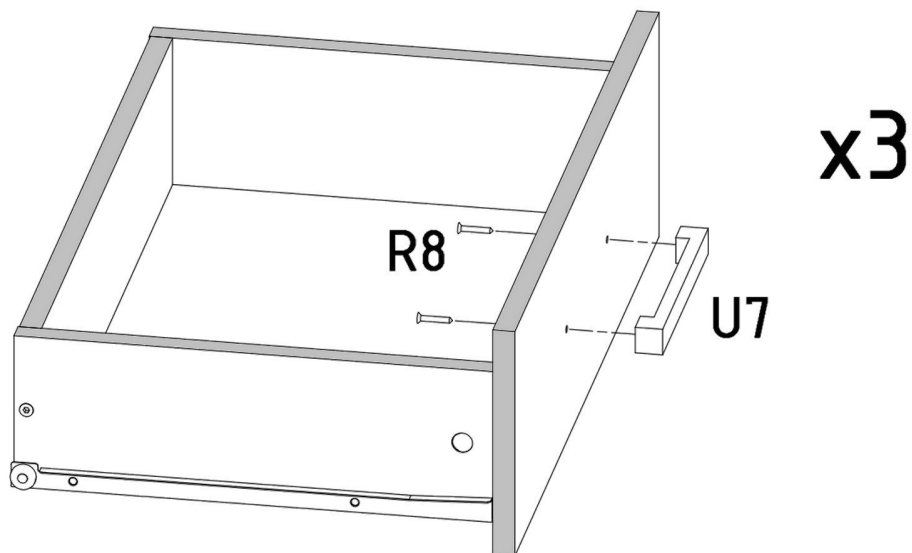
x3

R8



4x30mm

x6

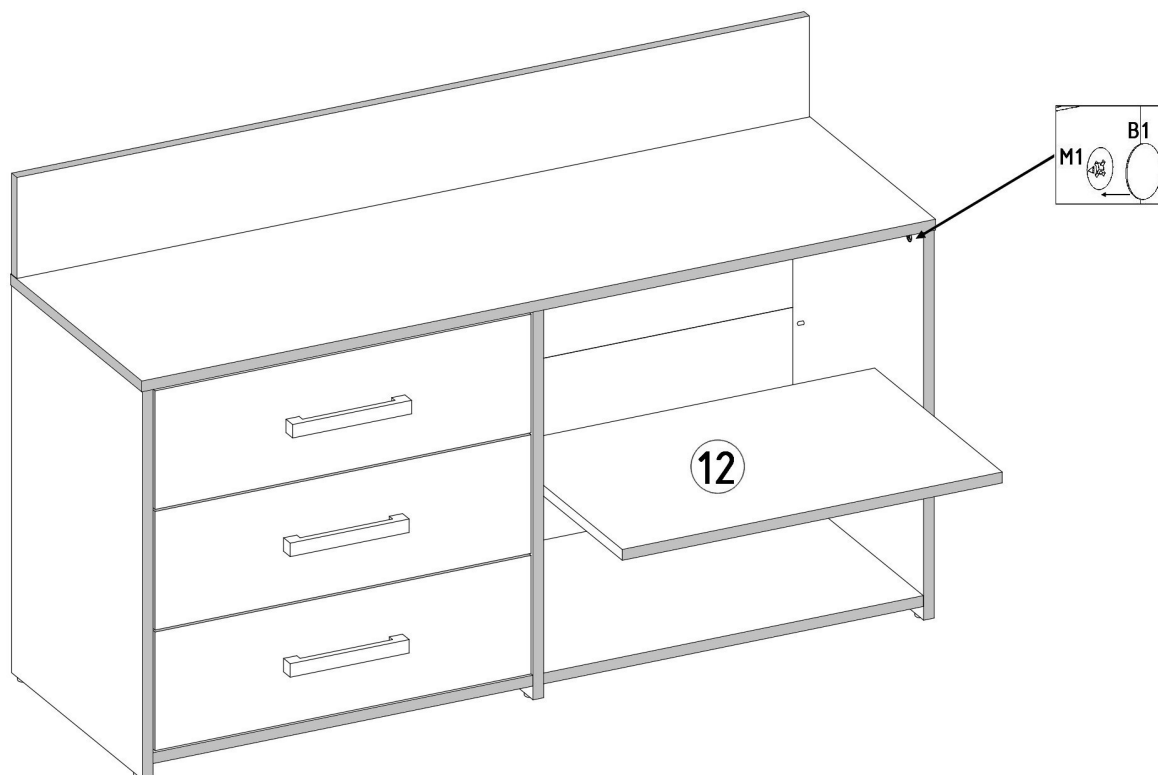


B1



ø17/4mm

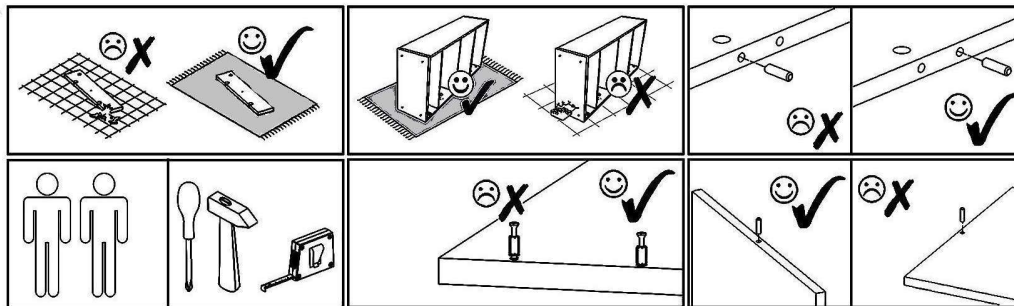
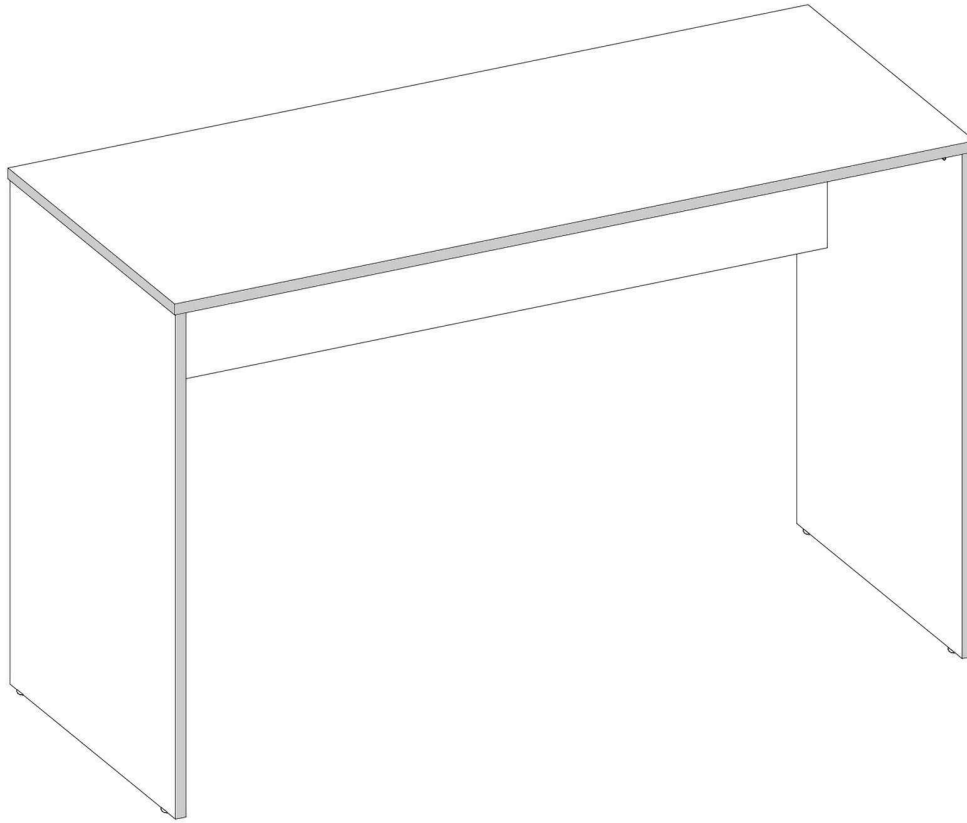
x2



BIURKO PLUS

PRODUCTION DATE

PACKING CODE



B1

G
ø17/4mm x8

N1

L=35mm x8

M1

12x15mm x8

T1

x4

B1

B
ø17/4mm x8

E1

8x30mm x6

B1

S-A
ø17/4mm x8

B1

Ant
ø17/4mm x8

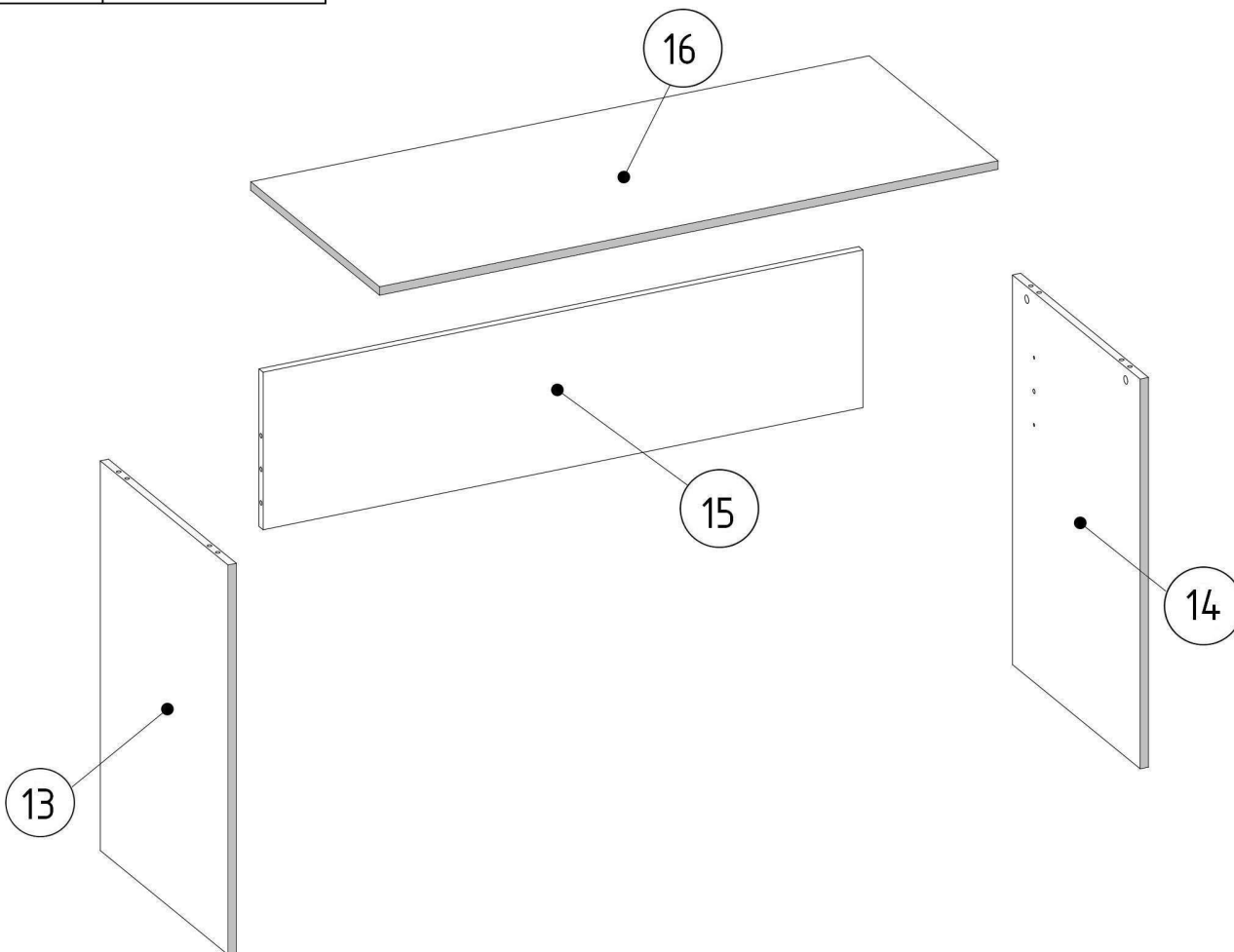
B1

K
ø17/4mm x8





BIURKO PLUS

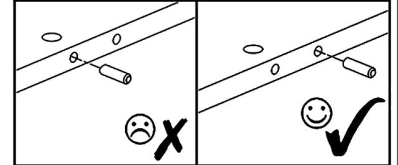
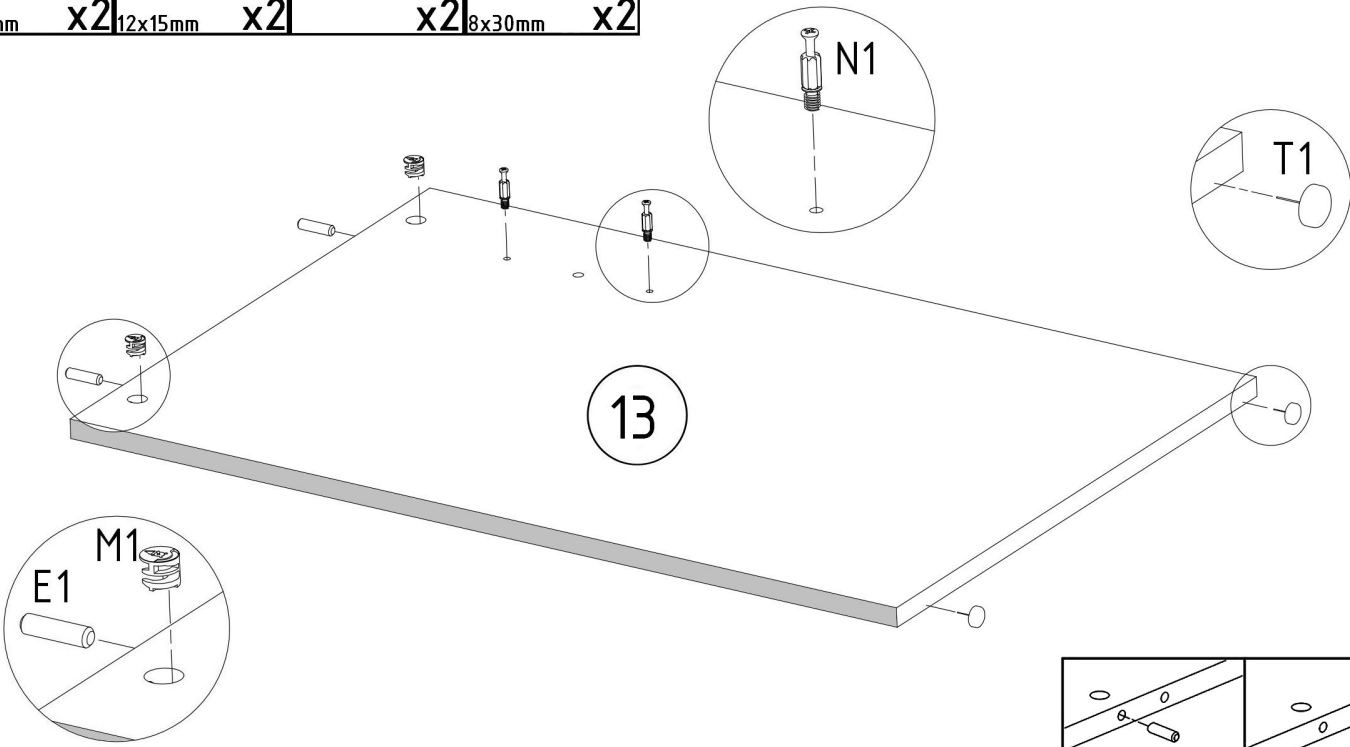
PRODUCTION DATE





PACKING CODE

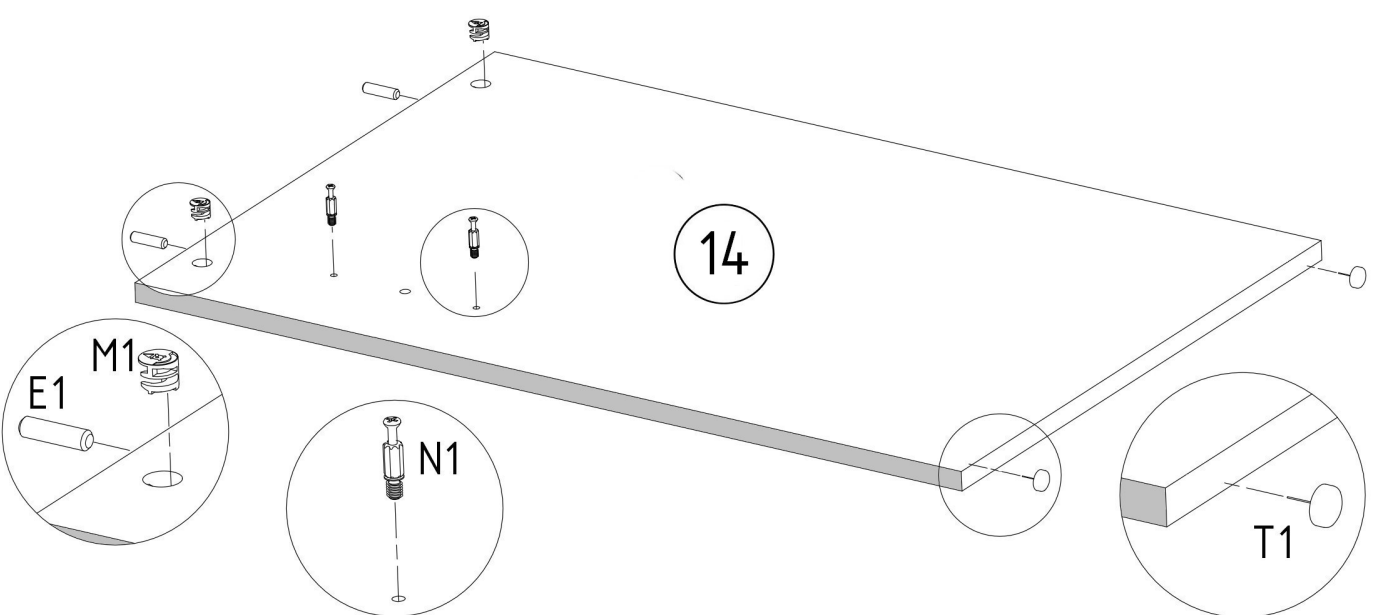
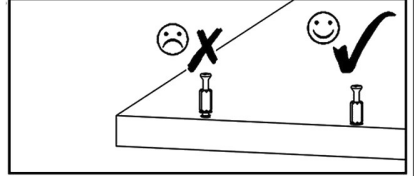
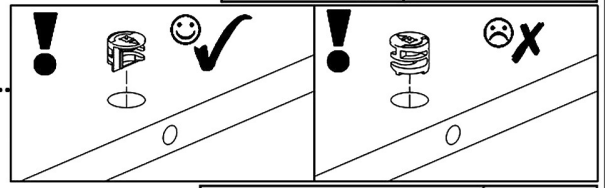


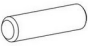

000246	16	1
000238	15	1
000179	14	1
000178	13	1
ID	NUMBER	QUANTITY

N1  L=35mm x2	M1  12x15mm x2	T1  x2	E1  8x30mm x2
---	---	---	--



N1  L=35mm x2	M1  12x15mm x2	T1  x2	E1  8x30mm x2
---	---	---	--



E1  8x30mm x2	M1  12x15mm x4
---	--

